



**THALASSA 700XGWH**  
Cod. **02178007** EAN **8422248104845**

**Touch Control Panel** with digital display, automatic shut-down timer and cleaning filters indicator

**AUTO connectivity with automatic control from the CATA hob**

6 extraction levels, 5 + 1 **TURBO**

Extraction power (according to UNE/EN 61591): **825m<sup>3</sup>/h** - 200m<sup>3</sup>/h

Motor maximum airflow free outlet: **1400m<sup>3</sup>/h**

**Sound power (Reg.(EU) n°65/2014): 40dB(A)**, maximum: 64dB(A)

**BRUSHLESS** motor. Ultra silent. Maximum energy consumption **135W**

**High-efficiency lighting by intensity-adjustable two-tone warm / natural LED STRIP**

Easy-to-install system

**Non-condensation filter and Filter condensation collection area**

Dishwasher-washable filters

White glass finishing

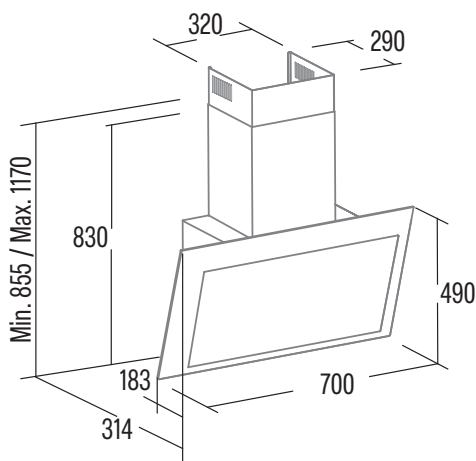
Max. Pressure: 357 Pa

150/125 mm outlet diameter

**Energy Class: A+++**

**Accessories (not included)**

Active charcoal filter .....	Cod. 02859318 / EAN 8422248098472 .....
Check valve .....	Cod. 02832008 / EAN 8422248086837 .....
Top tub BK .....	Cod. 02861403 / EAN 8422248078818 .....
Top tub WH .....	Cod. 02861003 / EAN 8422248097765 .....
Top tub INOX .....	Cod. 02861303 / EAN 8422248097758 .....



Code	02178007
EAN	8422248104845
Model	THALASSA 700XGWH /F
Type	Vertical
<b>Product fiche according to directives EU65/2014 - EN61591, EN60704-2-13, EN50564</b>	
AEC (Annual Energy consumption) (kWh/annum)	14,5
EEL class (Energy Efficiency Class)	A+++
FDE (Fluid Dynamic Efficiency)	39,7
FDE class (Fluid Dynamic Efficiency Class)	A
LE (Lighting Efficiency) (lux/W)	26,3
LE class (Lighting Efficiency Class)	B
GFE (Grease Filtering Efficiency)	75,5
GFE Class (Grease Filtering Efficiency class)	C
Air flow at minimum speed (m <sup>3</sup> /h)	200
Air flow at maximum speed (m <sup>3</sup> /h)	605
Air flow at intensive speed (TURBO) (m <sup>3</sup> /h)	825
Sound Power Level at minimum speed (dB)	40
Sound Power Level at maximum speed (dB)	64
Sound Power Level at intensive speed (TURBO) (dB)	69
Po (Power Consumption in off mode) (W)	0,4
Ps (Power Consumption in standby) (W)	0
<b>Integration directive EU 66/2014</b>	
f (Time Increase Factor)	0,6
EEL (Energy Efficiency Index)	29,3
QBEP (Flow Rate at Best Efficiency Point) (m <sup>3</sup> /h)	259,7
PBEP (Static Pressure Difference at Best Efficiency Point) (Pa)	326,2
WBEP (Electric Power Input at Best Efficiency Point) (W)	59,2
WL (Nominal Power Consumption of Lighting system) (W)	3
EMIDDLE (Average Illumination of Lighting system on Cooking surface) (lux)	79
<b>External Dimensions</b>	
Width (mm)	700
Depth (mm)	314
Total max height(mm)	1170
Total min height(mm)	855
Outlet Diameter (mm)	150/125
<b>Characteristics</b>	
Motor	BT4DC
Extraction Levels	5 + 1
Motor Maximum Power Consumption	140
Maximum Pressure	357
Intensive Speed (TURBO) Pressure	365
Control Type	TCD6i
Automatic shut-down timer	√
Electronic Filter Saturation Indicator	√
Filter Type	Metallic
Anti-grease Filter Number	2+1
Inner Shield	-
<b>Lighting</b>	
Light Type	SS Led
Adjustable Intensity Lighting	√
Nº of Lamps	1
<b>Installation</b>	
Minimum height distance to a electric worktop hob (mm)	400
Minimum height distance to a gas worktop hob (mm)	650
Installation with Outlet tube to the exterior / Recirculating	BOTH
Easy Installation System	√
<b>Electric Connection</b>	
Total Rush Power (W)	143
Rated Voltage (V)	220-240
Network Frequency (Hz)	50
Electrical Insulation Class	CLASS I
Plug	-
<b>Accessories</b>	
Upper Decorative tube Extension	02861300
White Decorative Tube	02861001
Black Decorative Tube	-
Island Tube Enhancer	-
Check Valve	02832004
MAX PRO Metal Filter	-
Metal Filter	02800905 / 02800925*
DUAL Filter (metal + active charcoal)	02800918 / 02800927
Active Charcoal Filter	02859318
Noiseless Flexible Duct	02893002