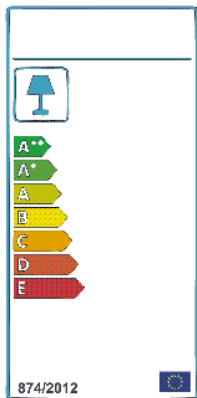
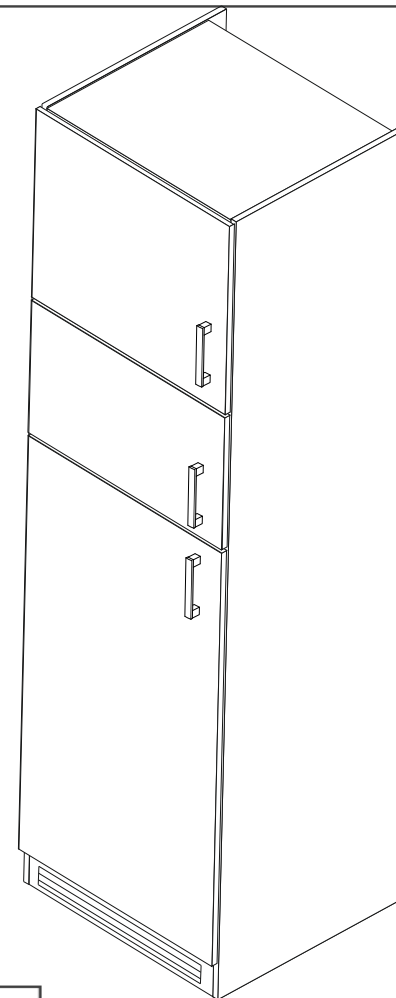




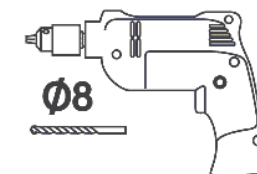
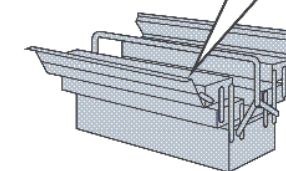
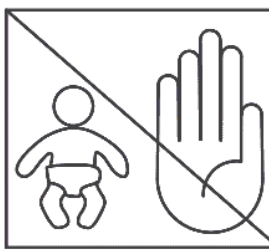
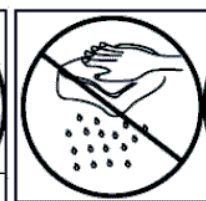
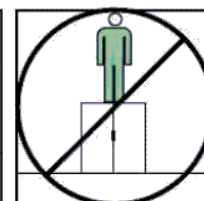
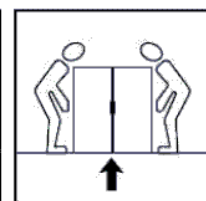
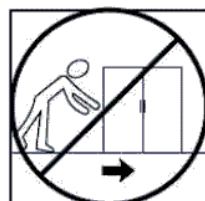
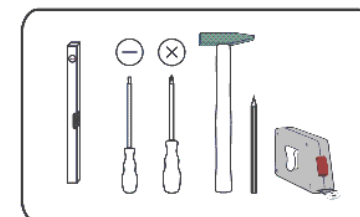
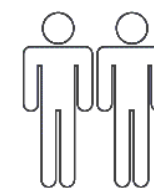
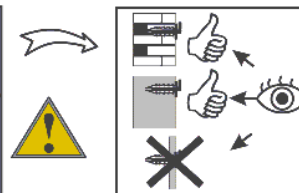
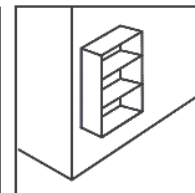
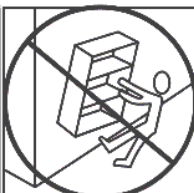
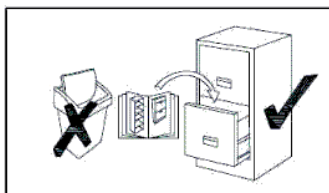
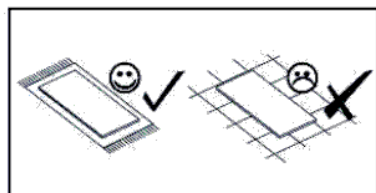
<http://www.bega-gruppe.de>

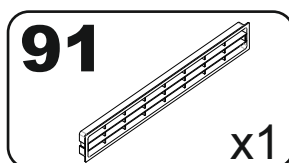
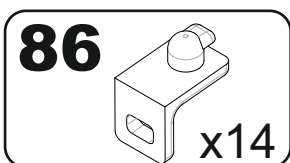
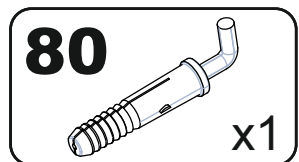
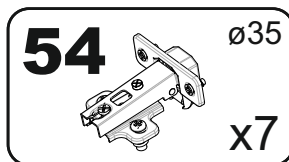
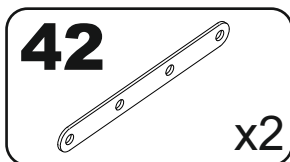
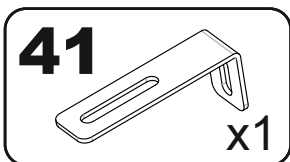
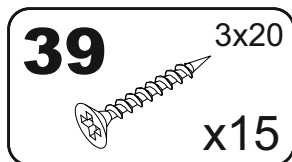
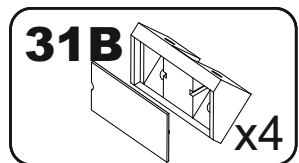
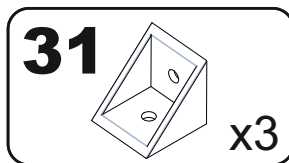
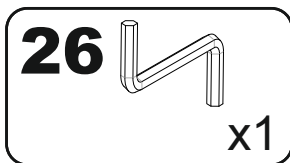
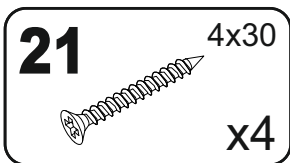
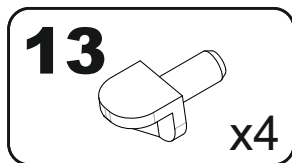
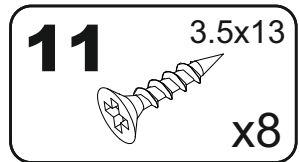
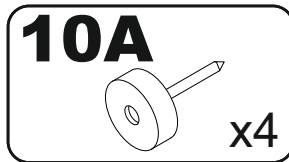
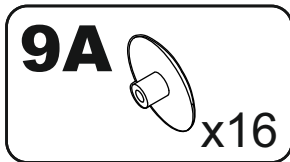
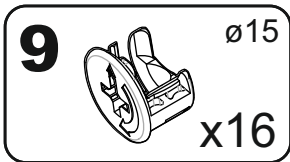
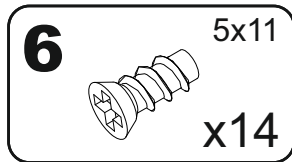
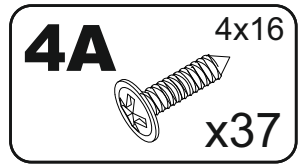
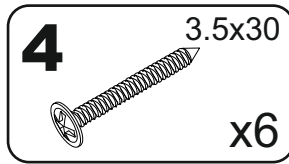
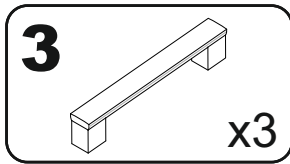
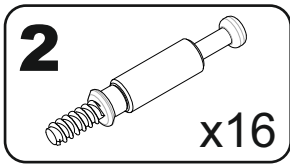
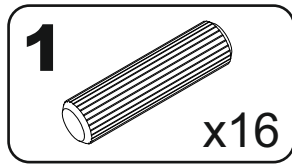
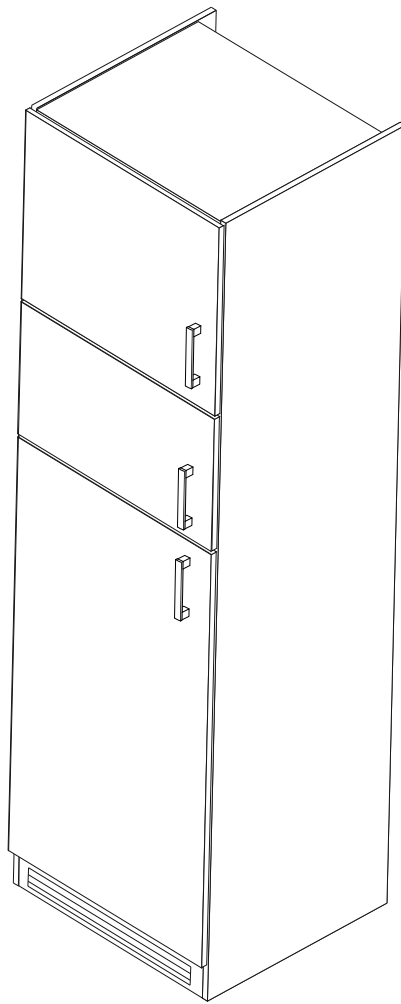
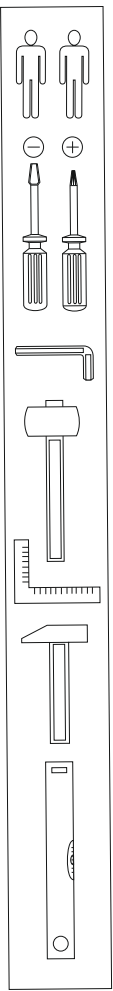


BG	Bulgarisch	български
CS	Tschechisch	čeština
DA	Dänisch	Dansk
DE	Deutsch	Deutsch
ET	Estonisch	Eesti
EL	Griechisch	ελληνικά
EN	English	English
ES	Spanisch	español
FR	Französisch	Français
FI	Finnisch	suomalainen
HR	Kroatisch	hrvatski
HU	Ungarisch	magyar
IT	Italienisch	Italiano
LV	Lettisch	Latvijas
LT	Litauisch	Lietuvos
NL	Niederländisch	Nederlands
PL	Polnisch	Polski
PT	Portugiesisch	português
RO	Rumänisch	român
SK	Slowakisch	slovenský
SL	Slowenisch	slovenščina
SV	Schwedisch	Svenska

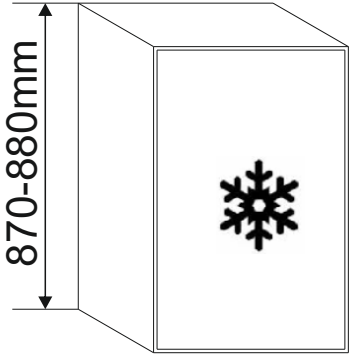


60 min

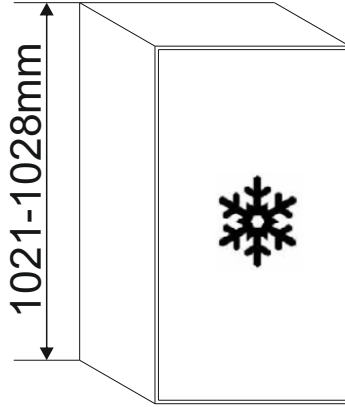




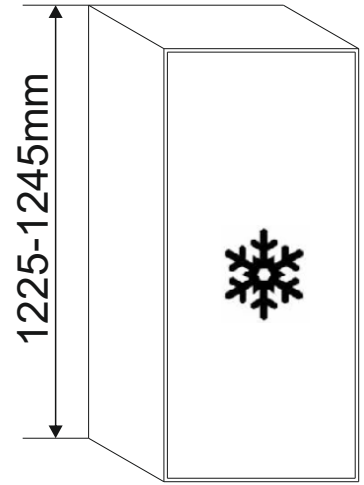
**OPTION 1**



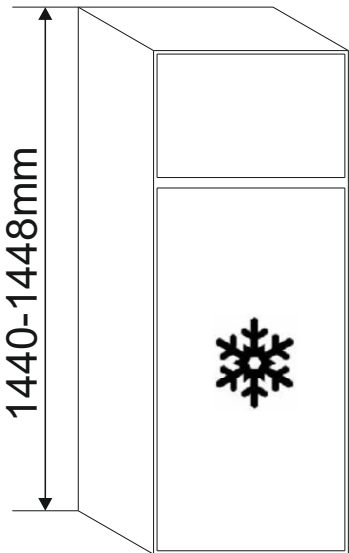
**OPTION 2**



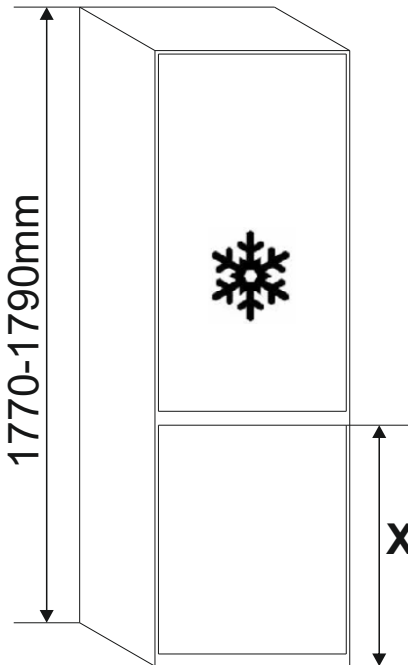
**OPTION 3**



**OPTION 4**

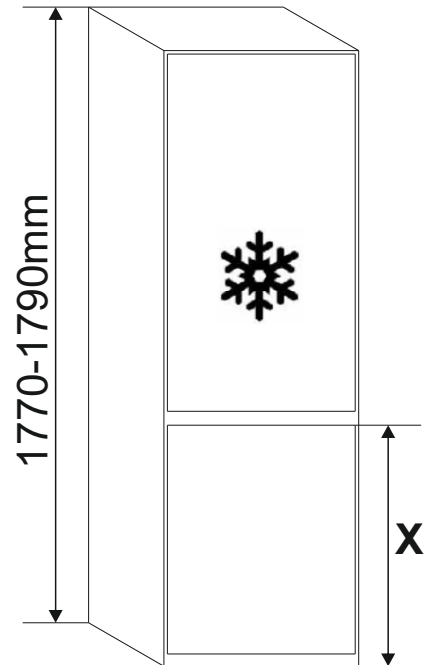


**OPTION 5**



**$X \leq 718\text{mm}$**

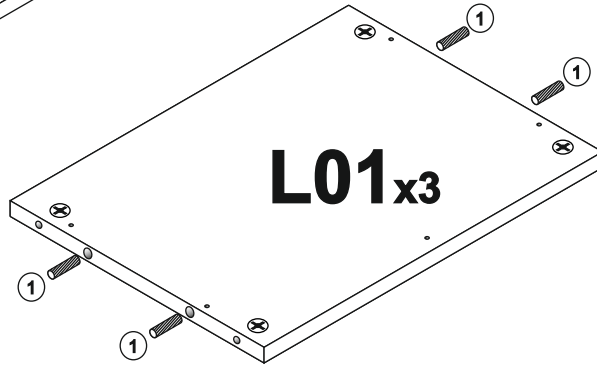
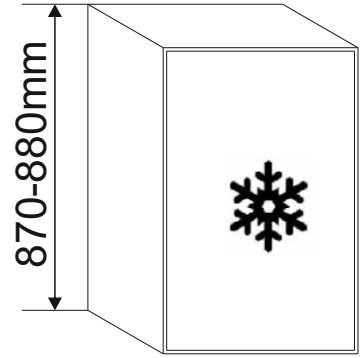
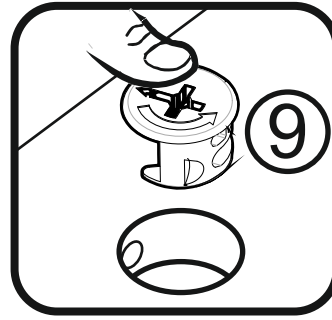
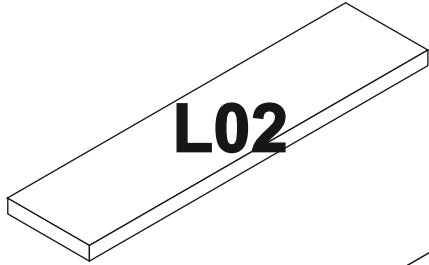
**OPTION 6**



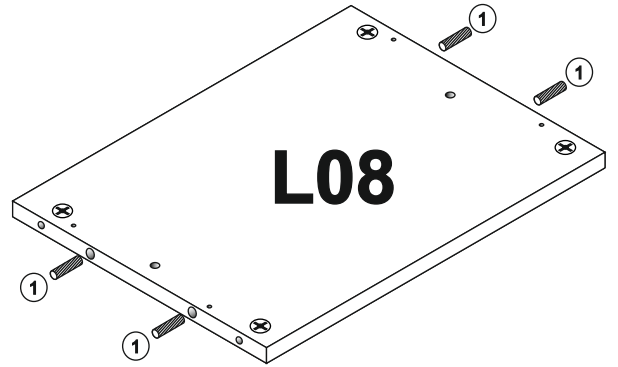
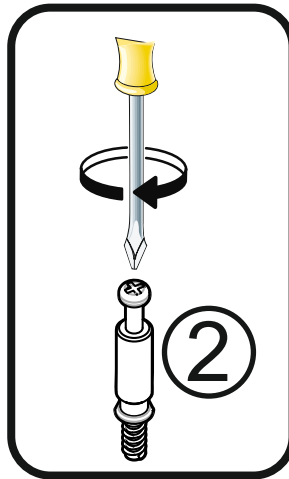
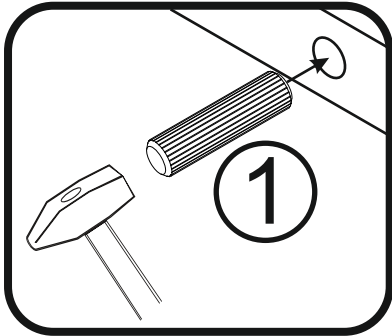
**$X > 718\text{mm}$**

# 1

## OPTION 1

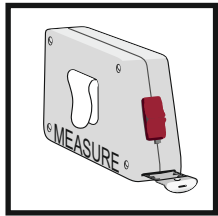


**L01x3**



**L08**

L01	567x510mm
L02	567x150mm
L04	2111x555mm
L08	567x510mm



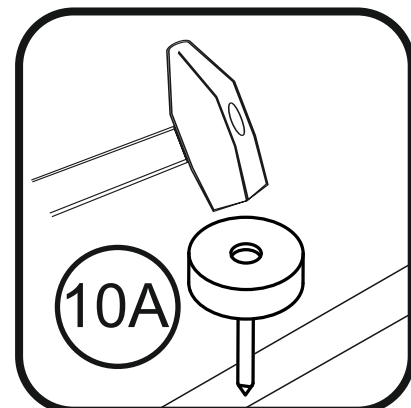
1419mm  
1054mm

**L04**

158mm

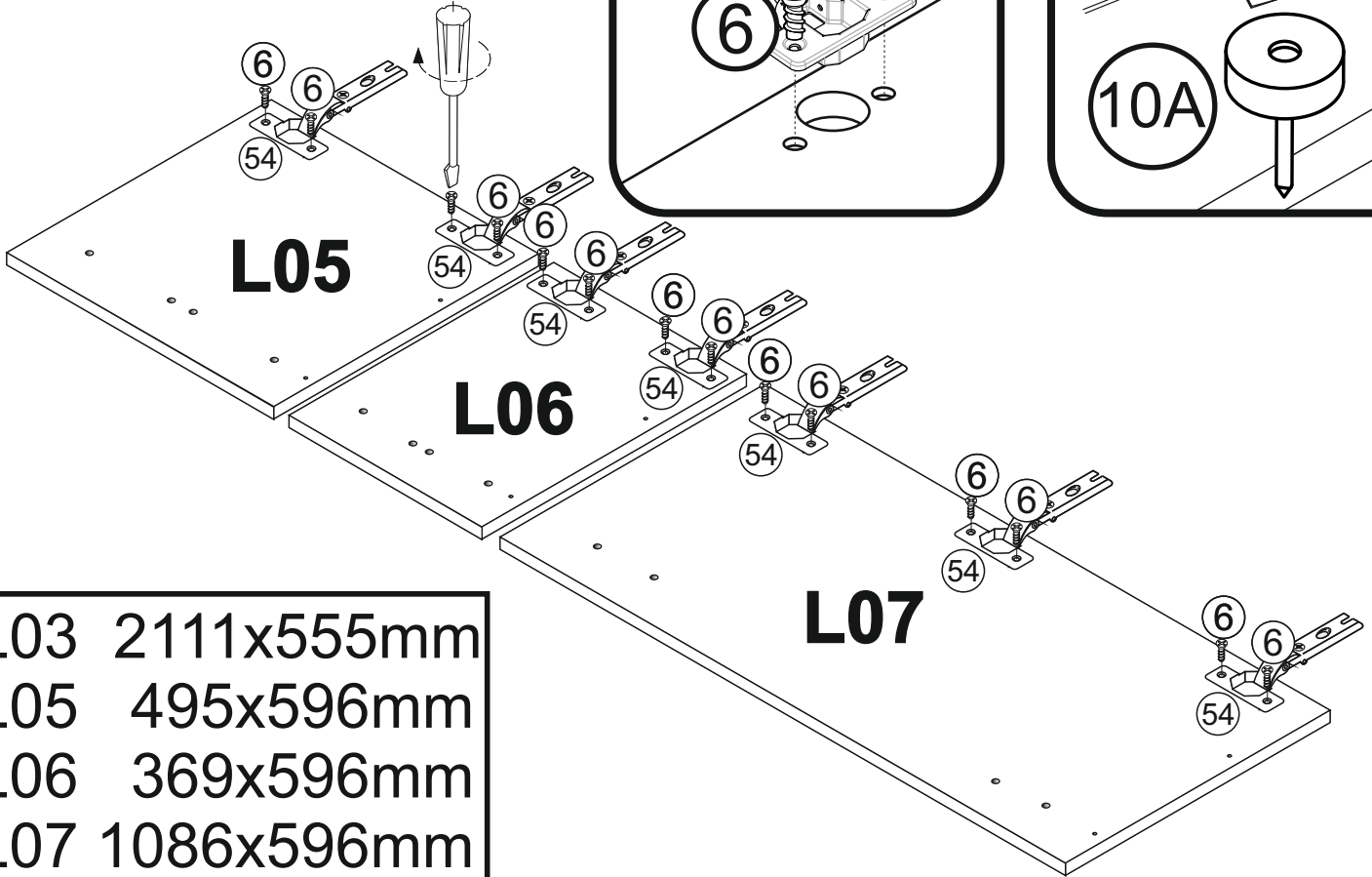
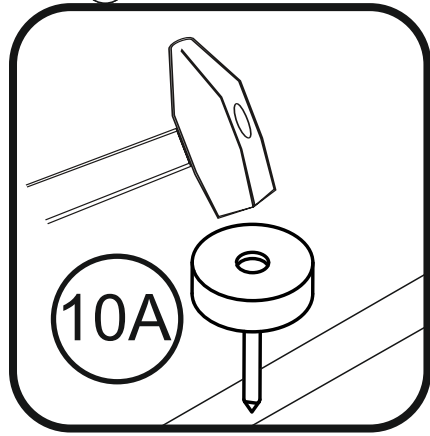
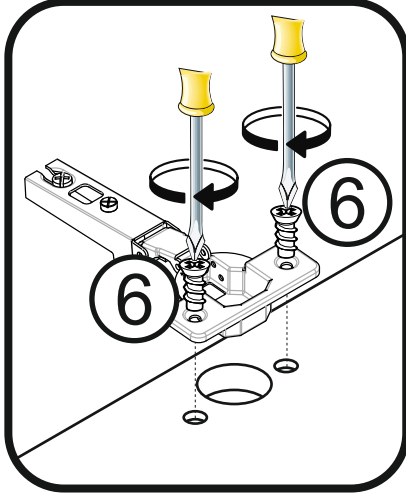
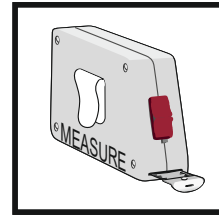
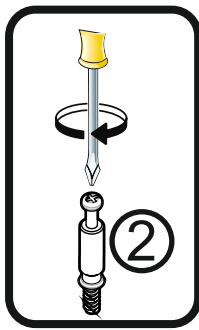
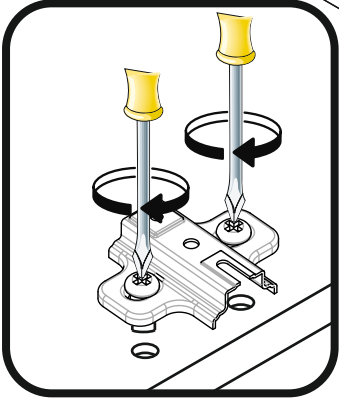
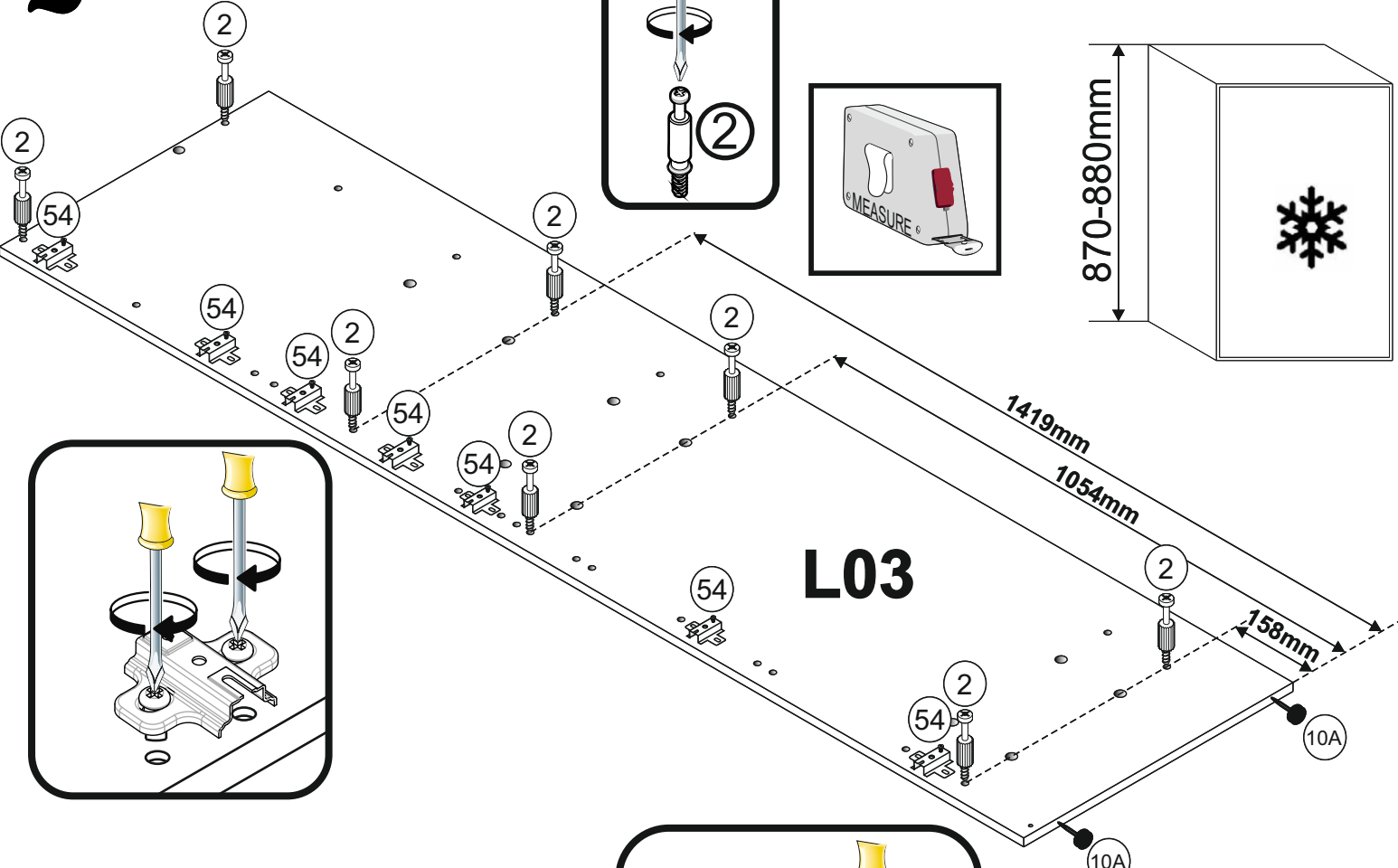
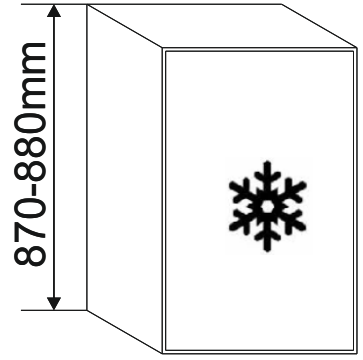
10A

10A



# 2

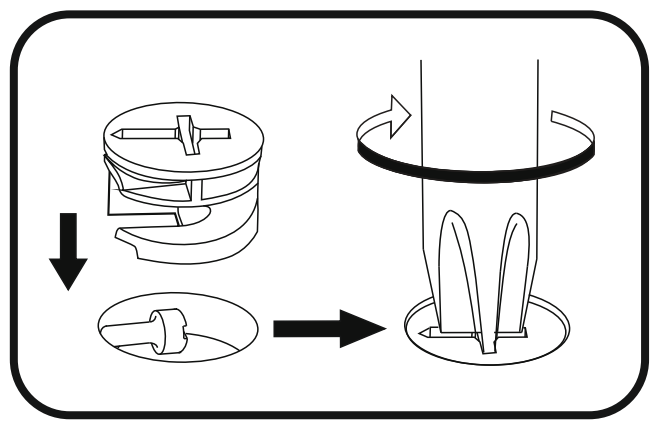
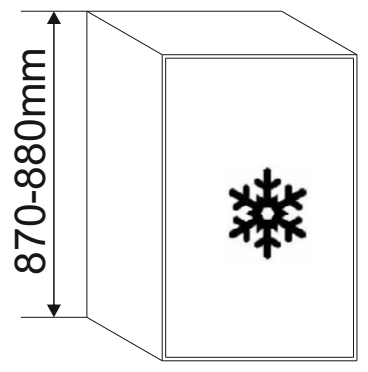
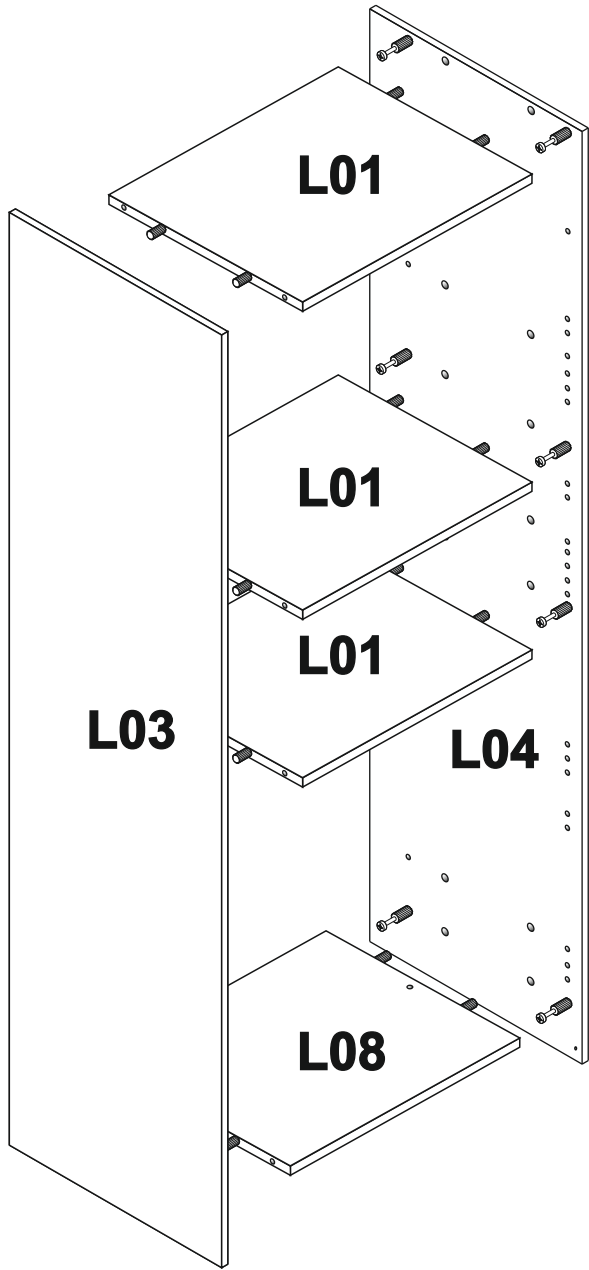
# OPTION 1



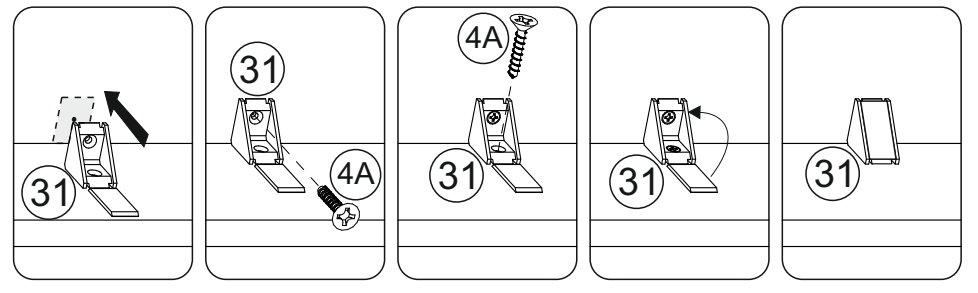
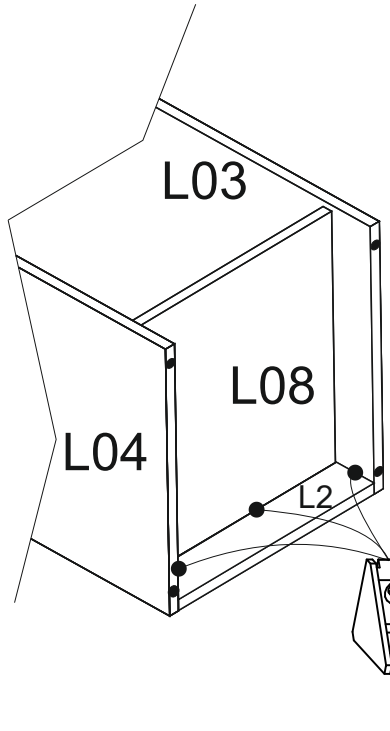
L03	2111x555mm
L05	495x596mm
L06	369x596mm
L07	1086x596mm

# 3

# OPTION 1



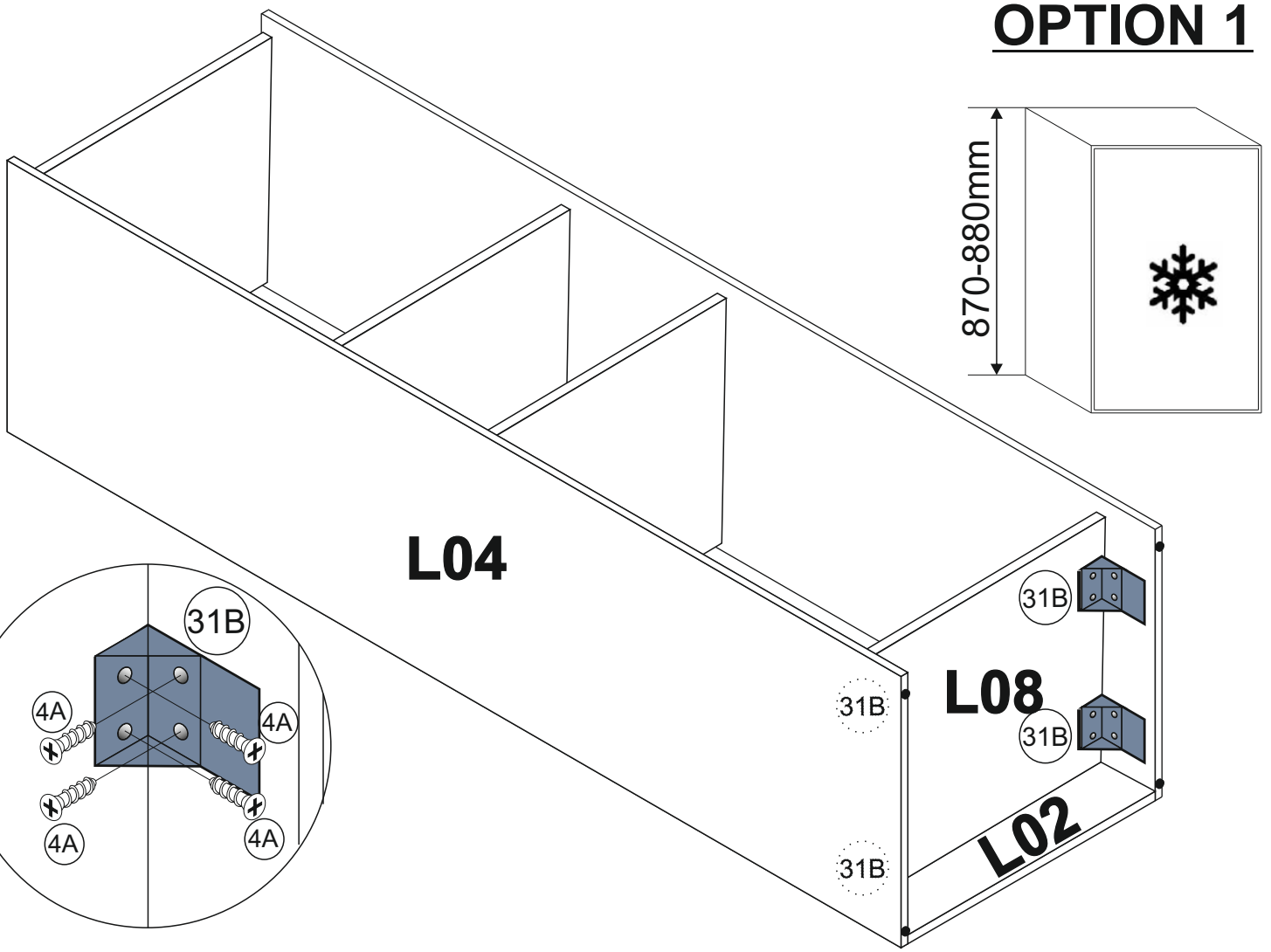
# 4



31 x3

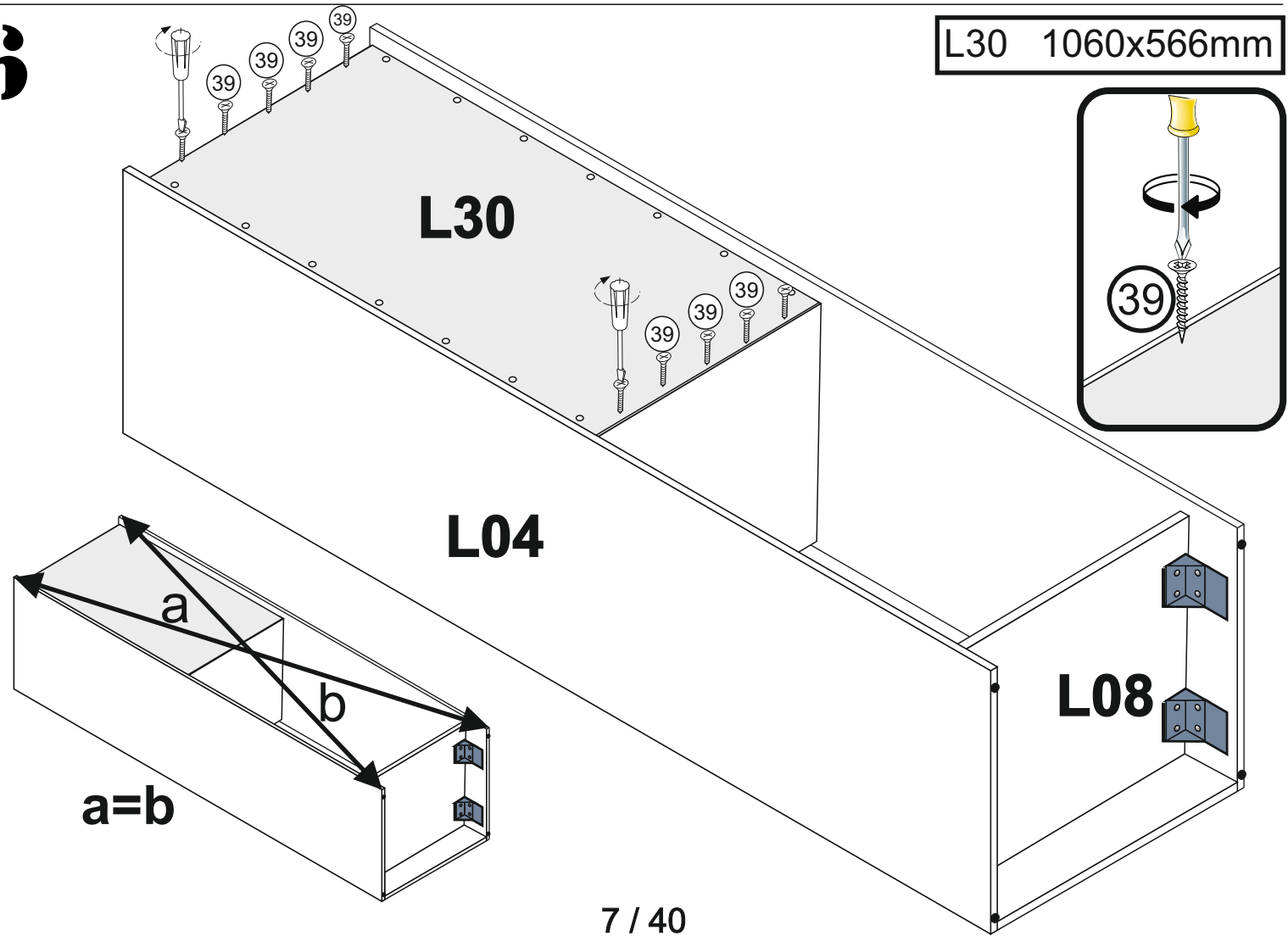
5

OPTION 1



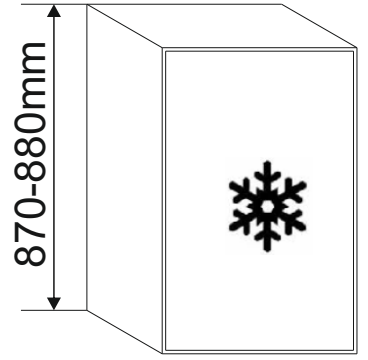
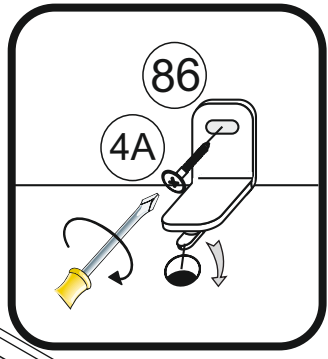
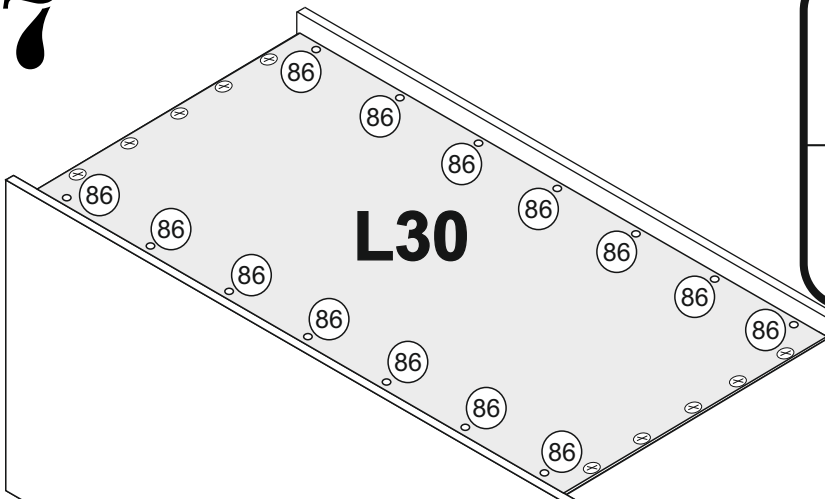
6

L30 1060x566mm



7

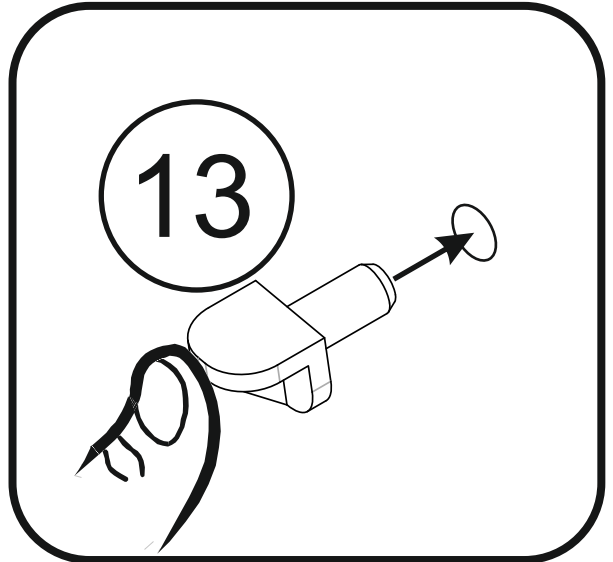
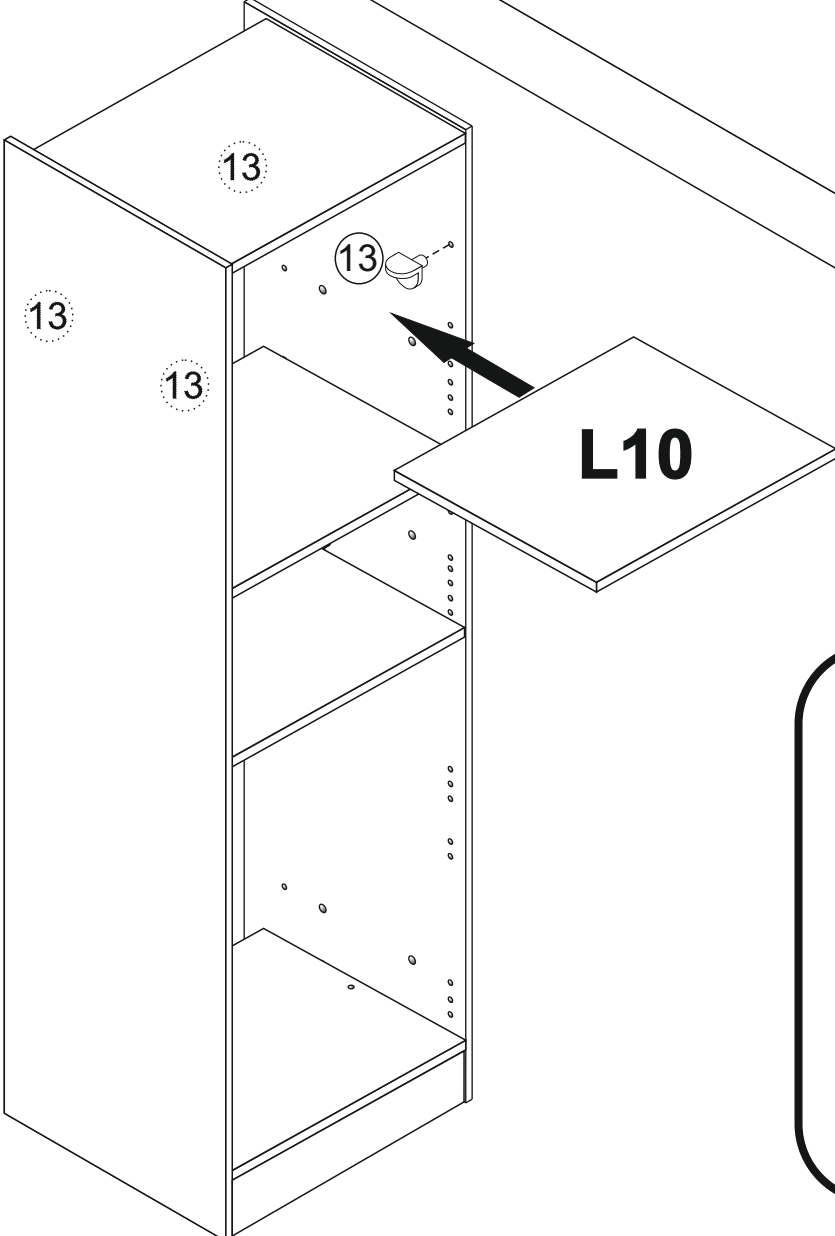
**OPTION 1**



8

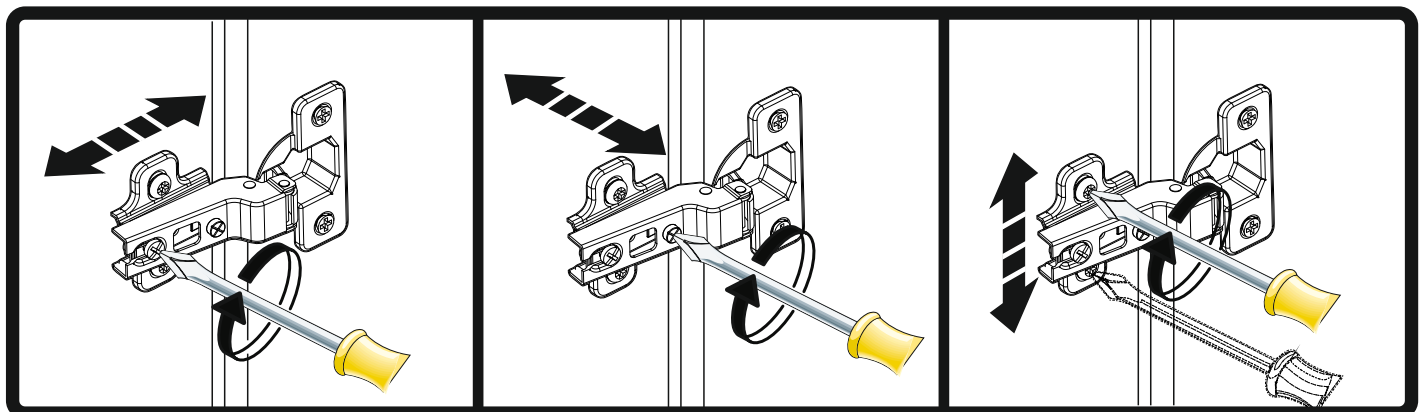
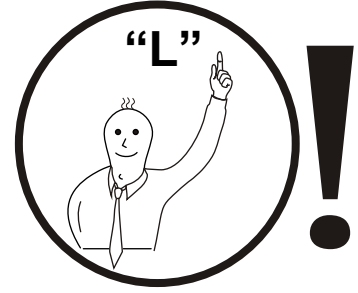
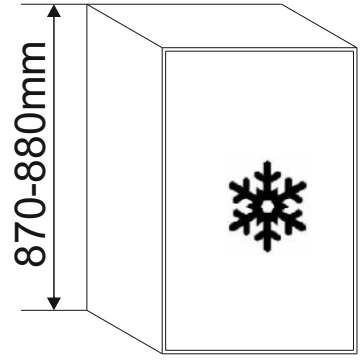
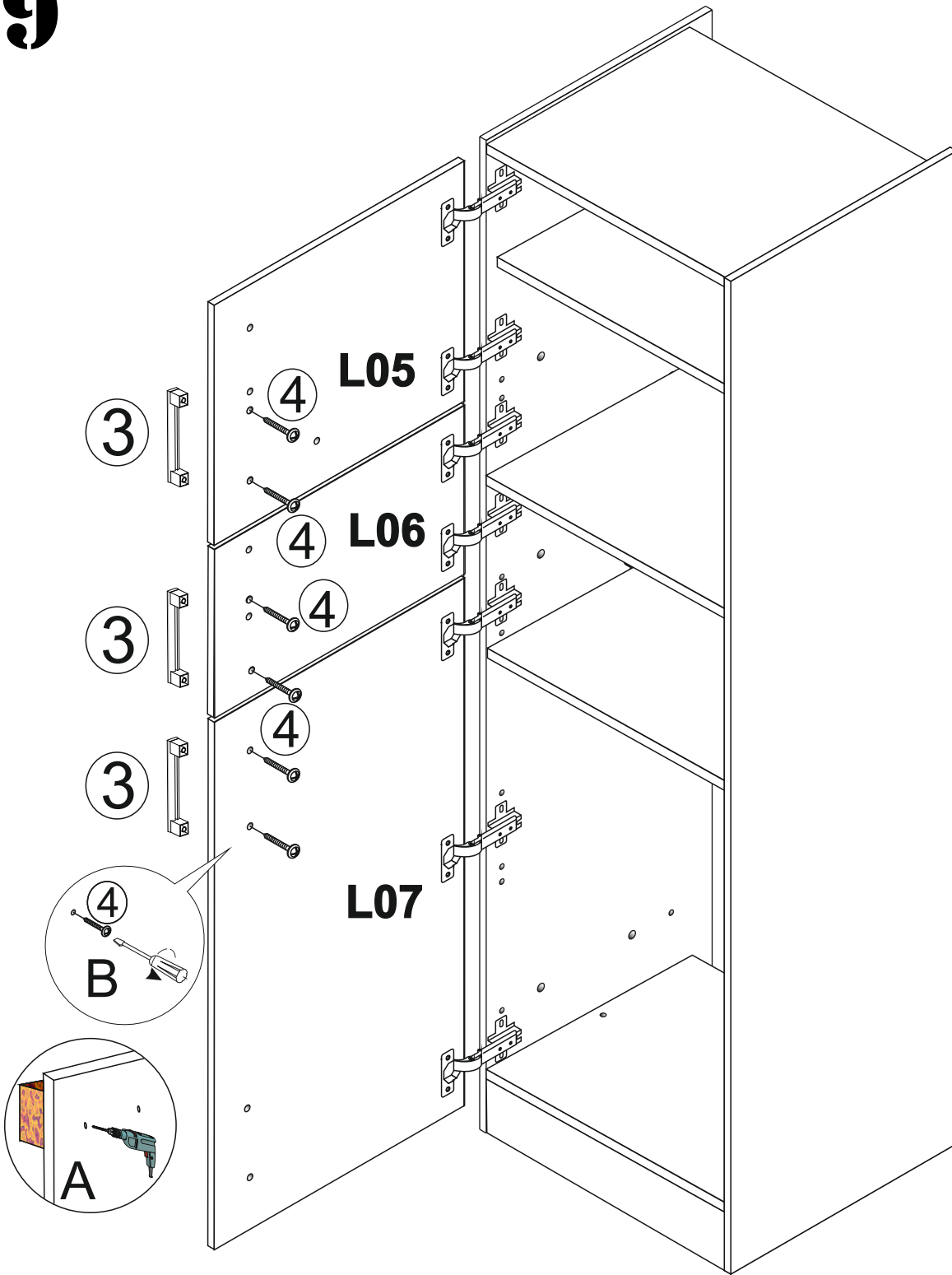
**L04**

**L08**



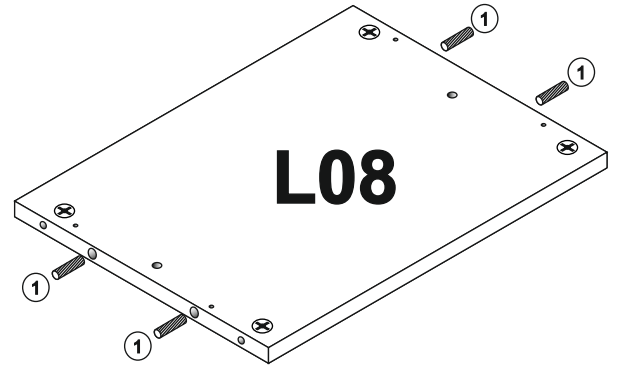
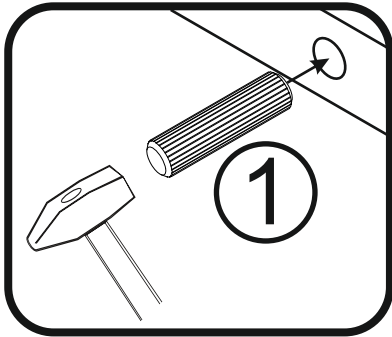
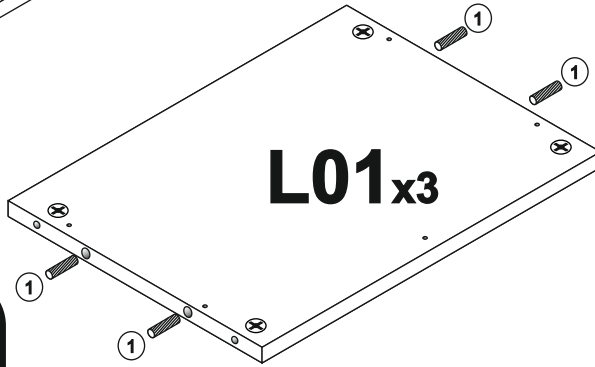
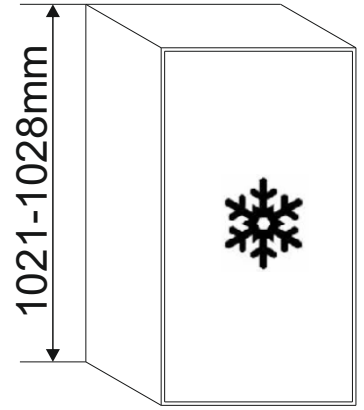
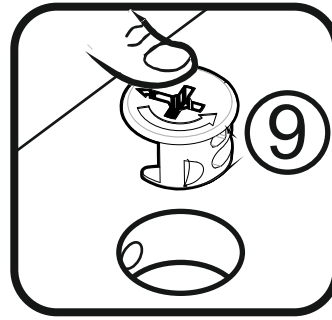
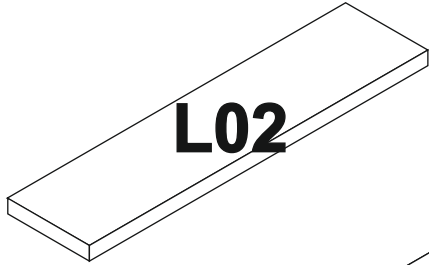
**L10 567x500mm**



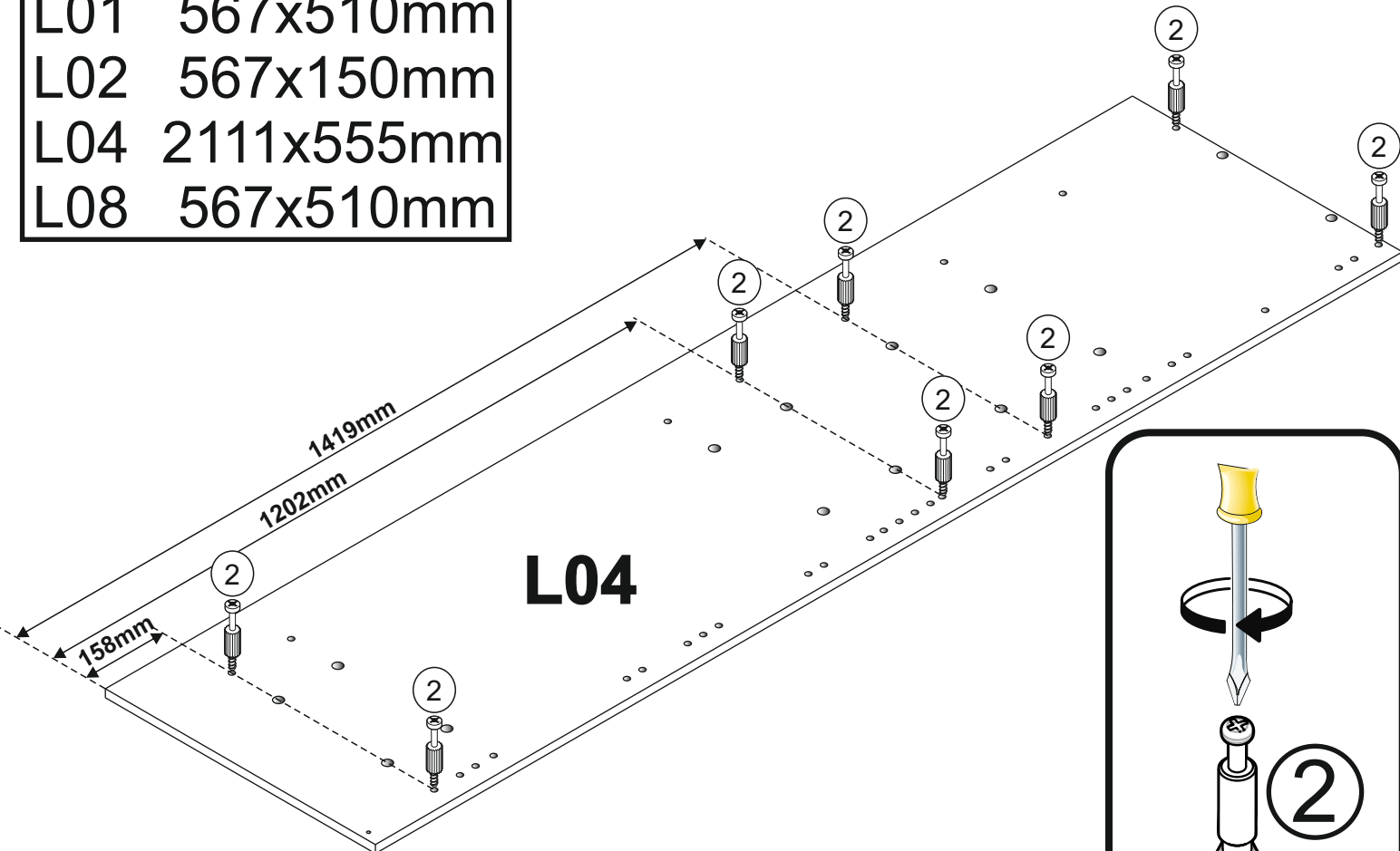


# 1

## OPTION 2

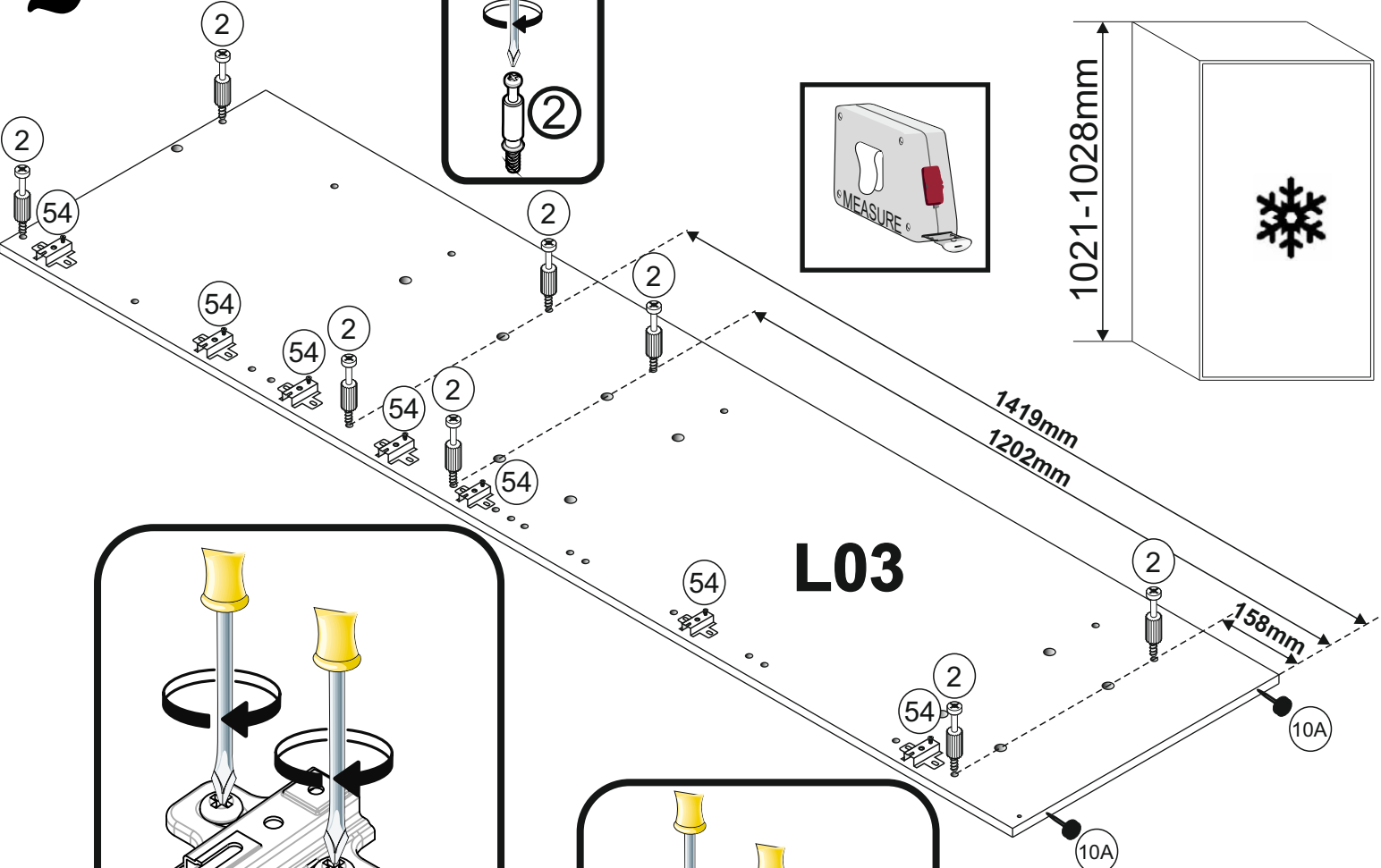
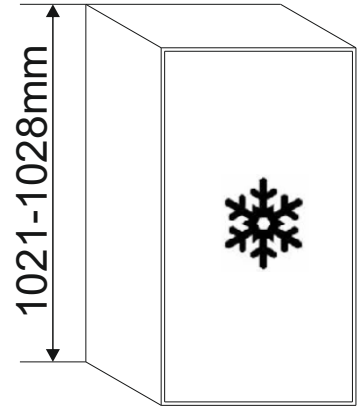


L01	567x510mm
L02	567x150mm
L04	2111x555mm
L08	567x510mm

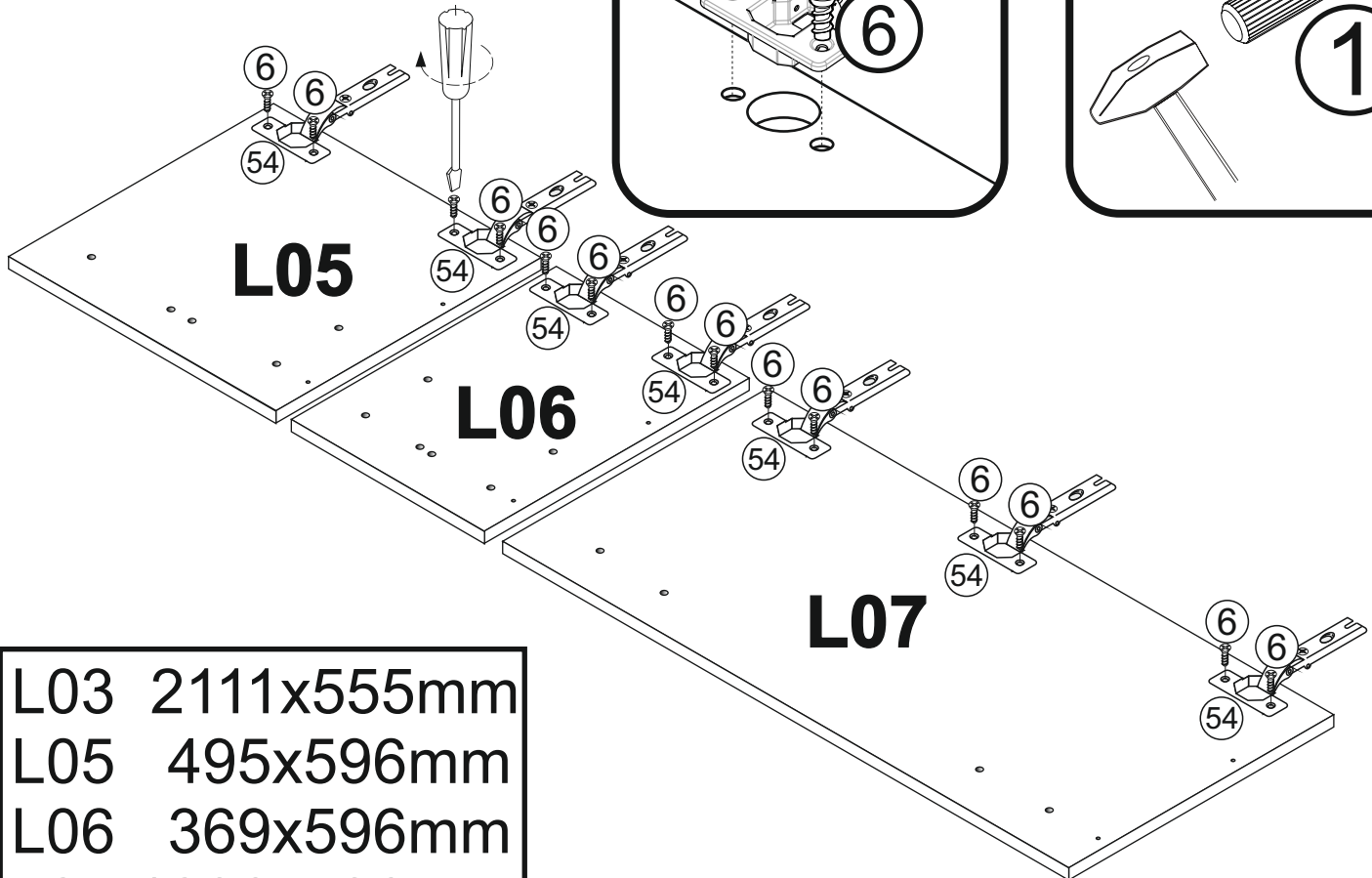
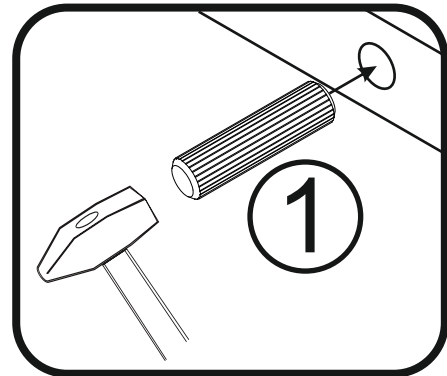
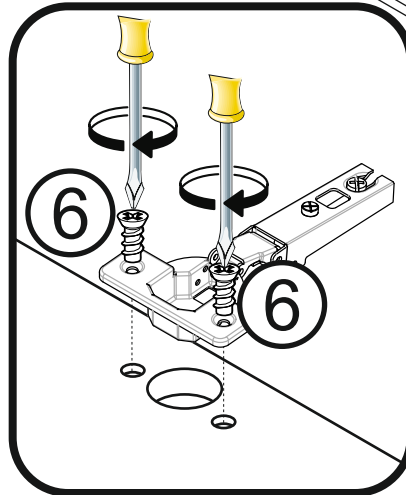
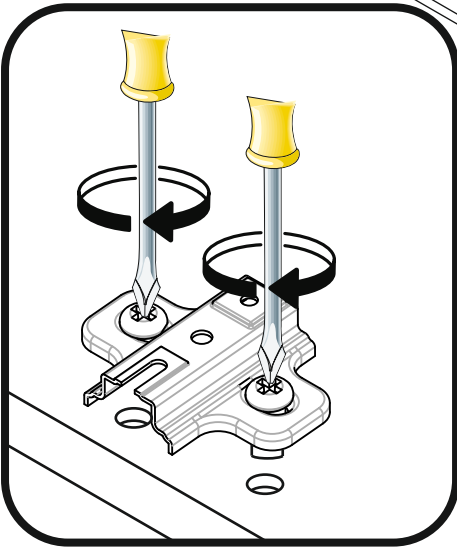


# 2

## OPTION 2

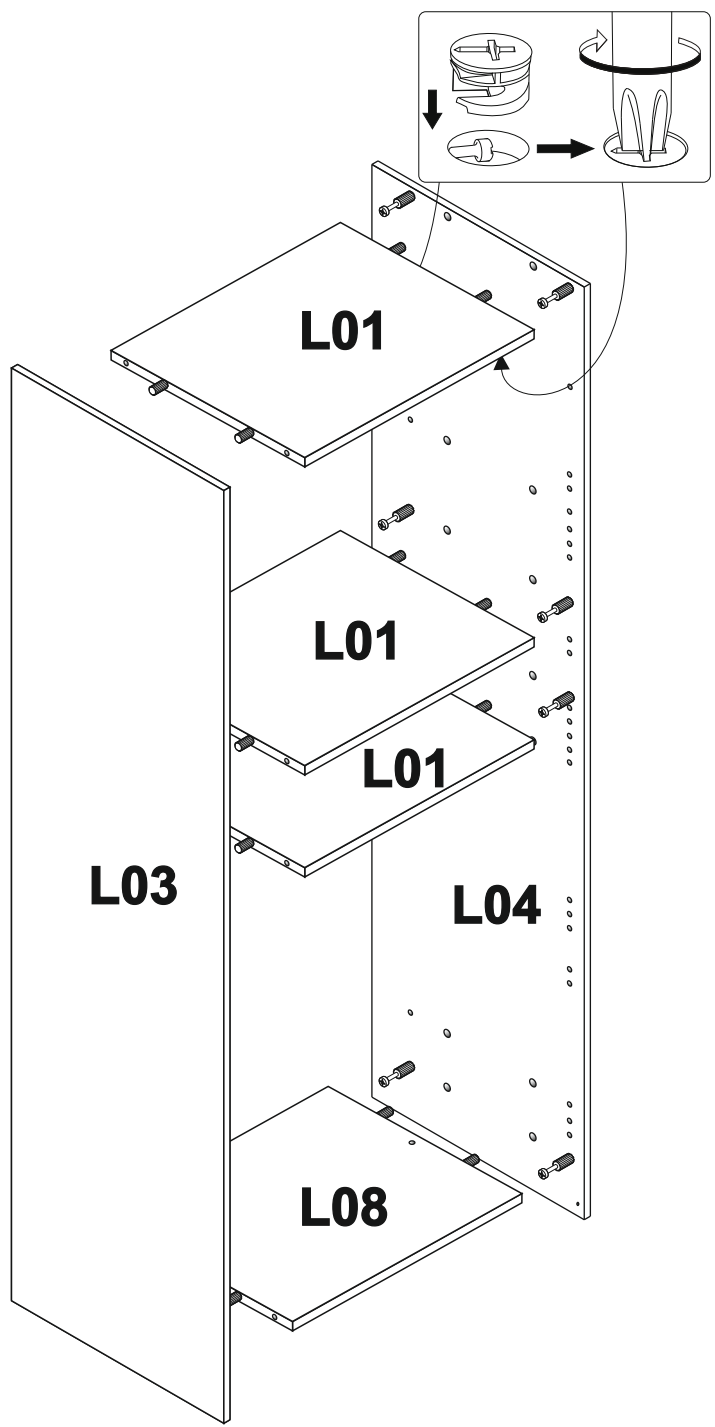


### L03

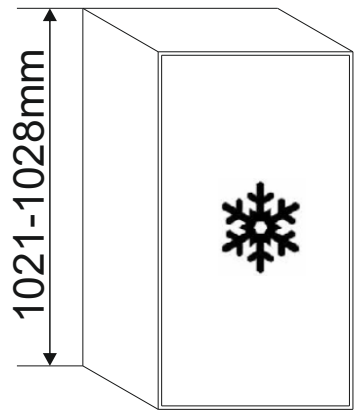


L03	2111x555mm
L05	495x596mm
L06	369x596mm
L07	1086x596mm

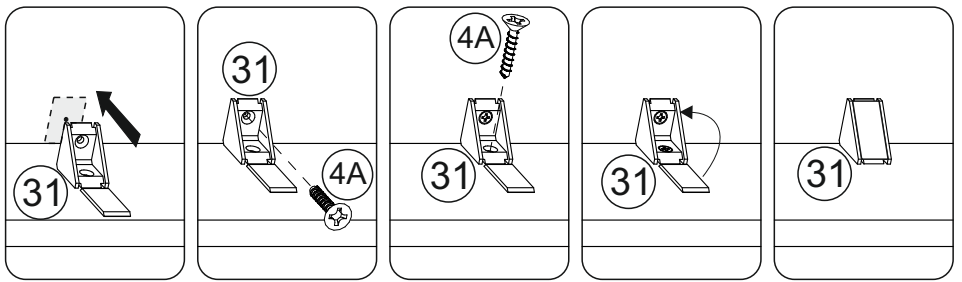
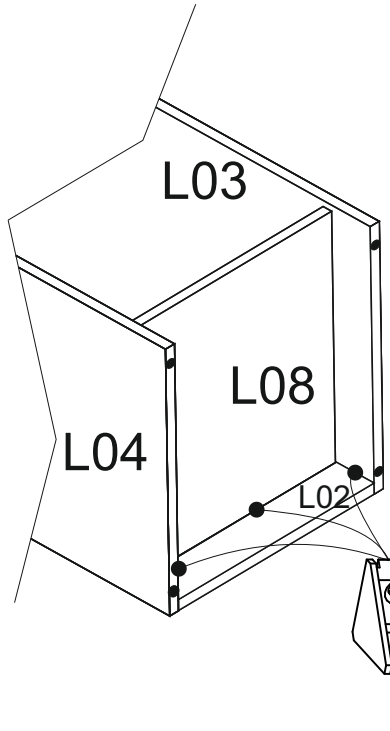
# 3



## OPTION 2



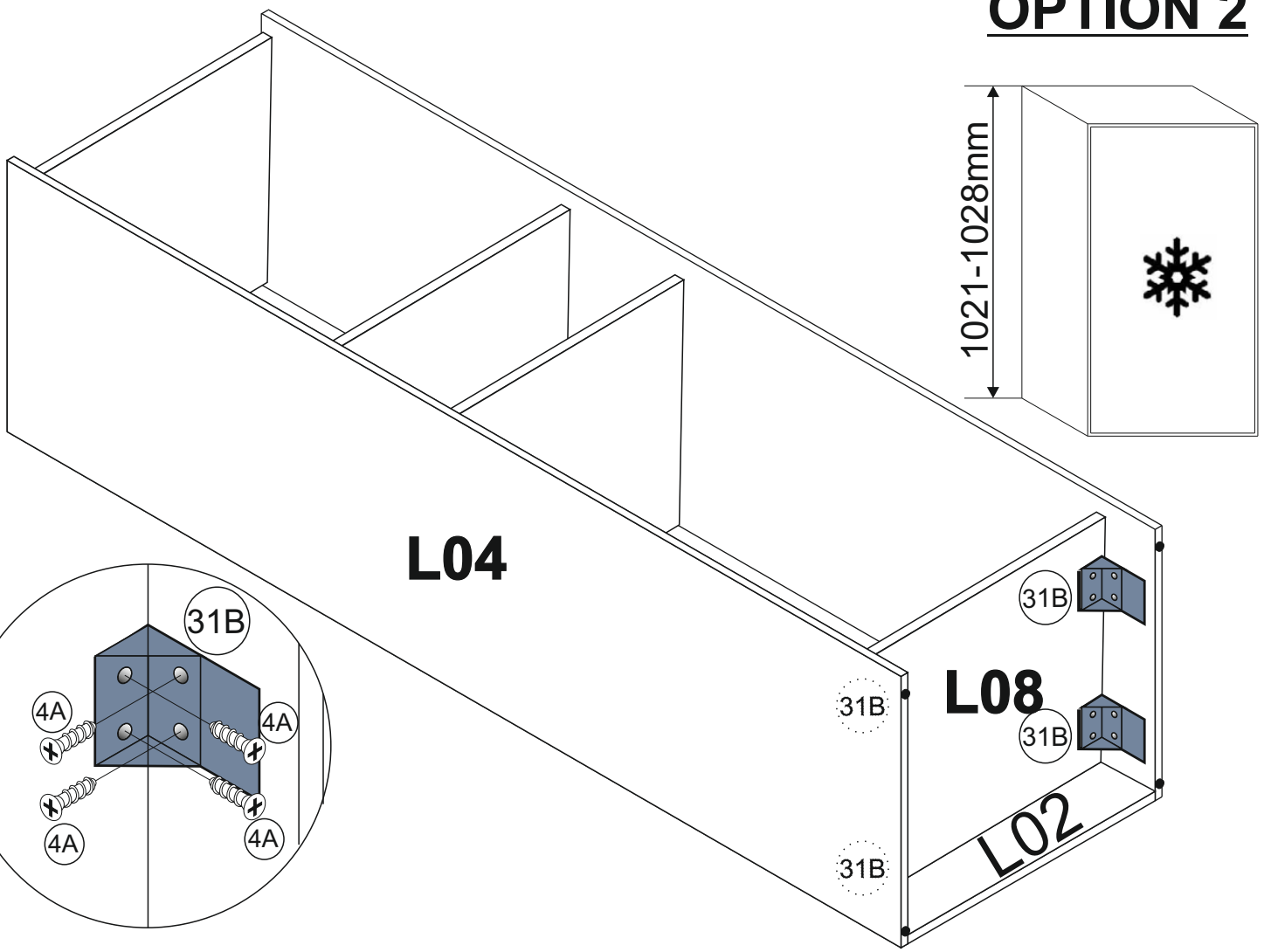
# 4



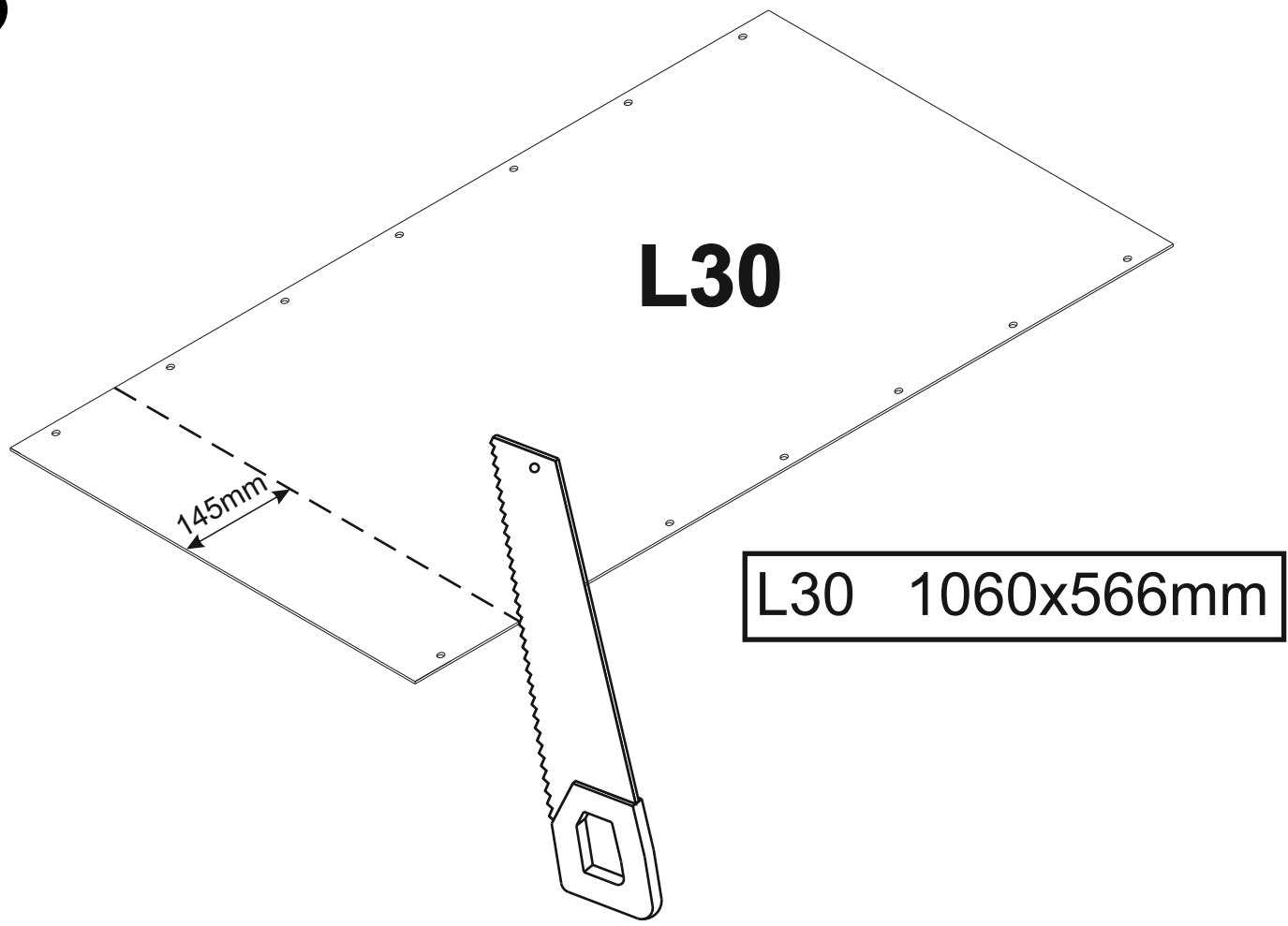
31 x3

5

**OPTION 2**

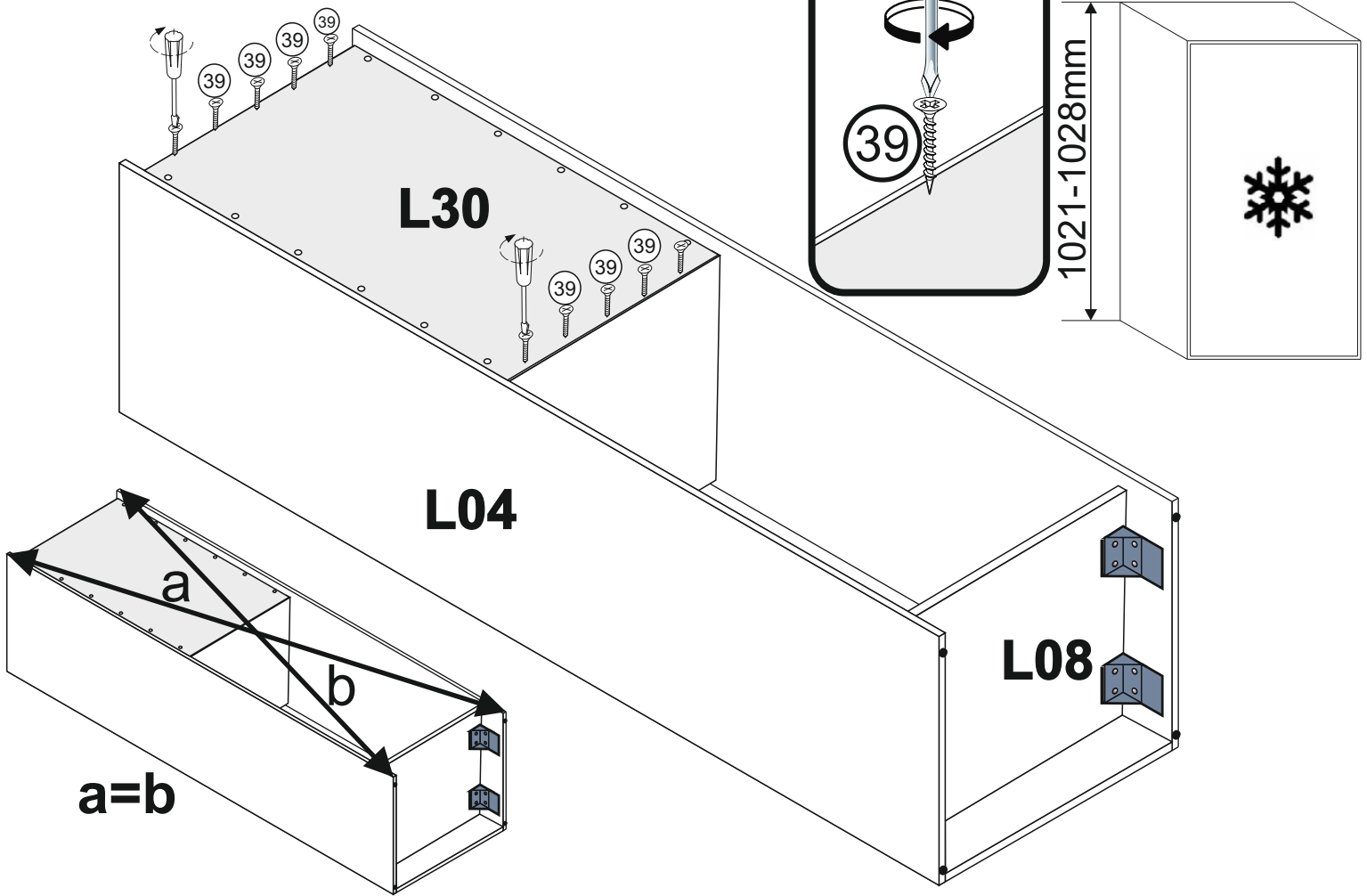


6

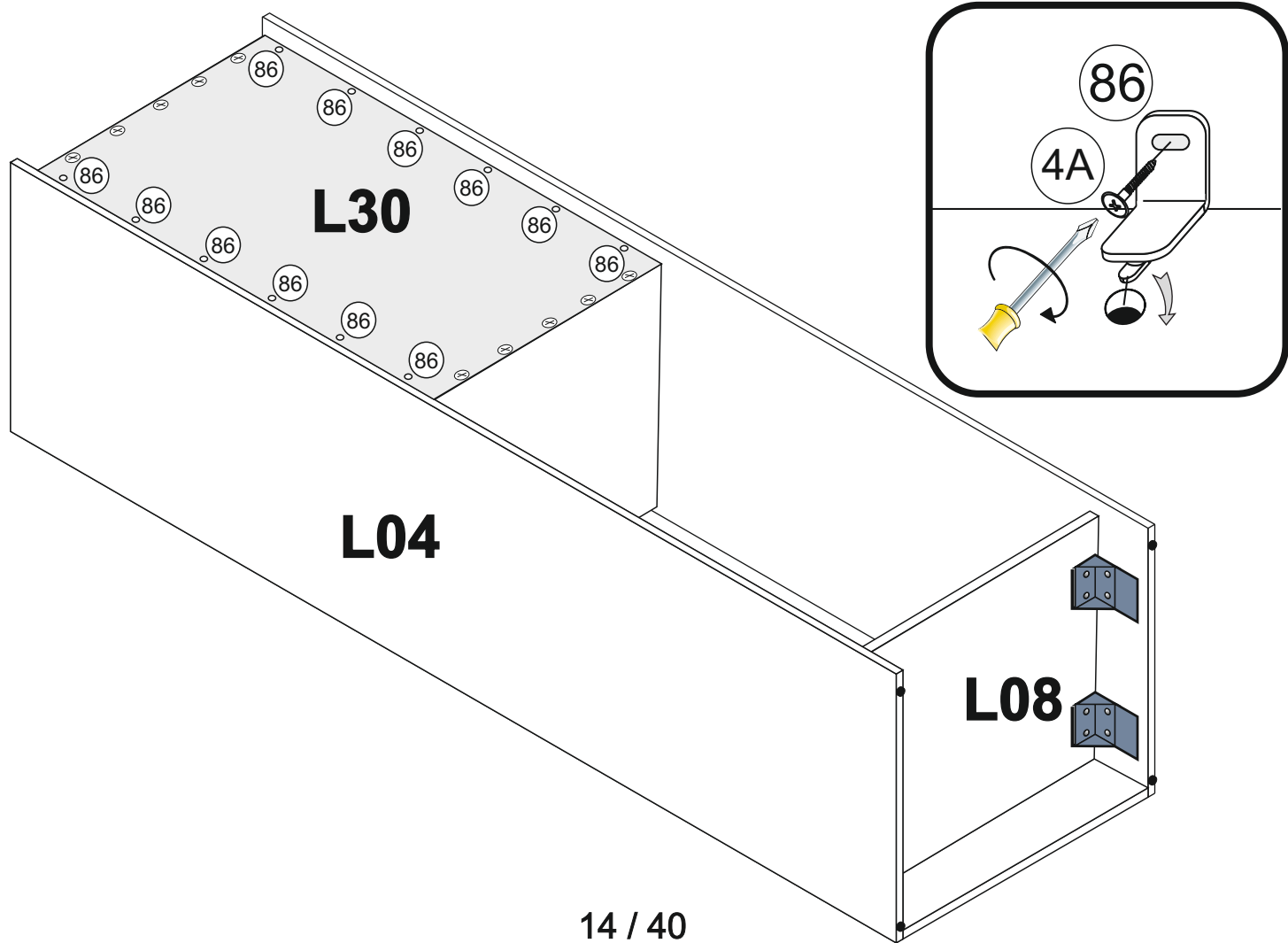


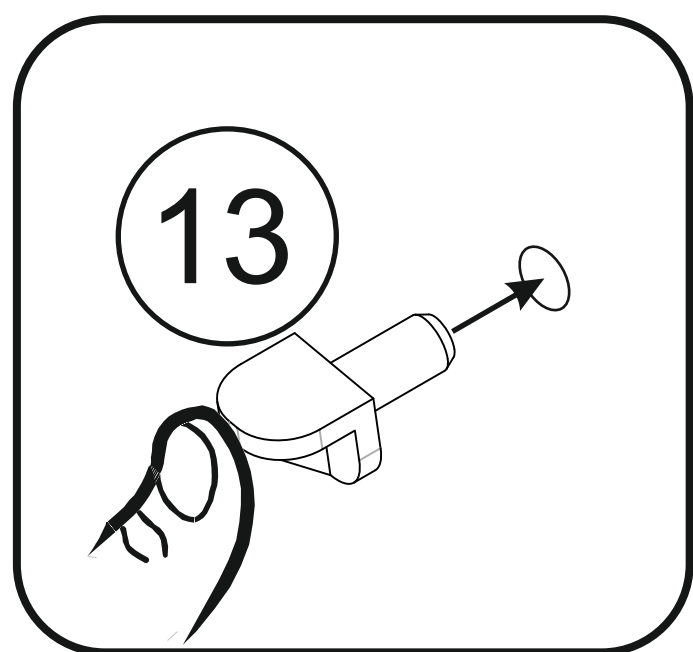
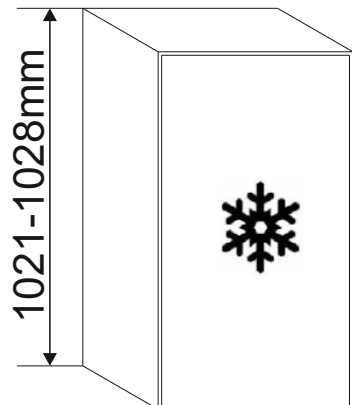
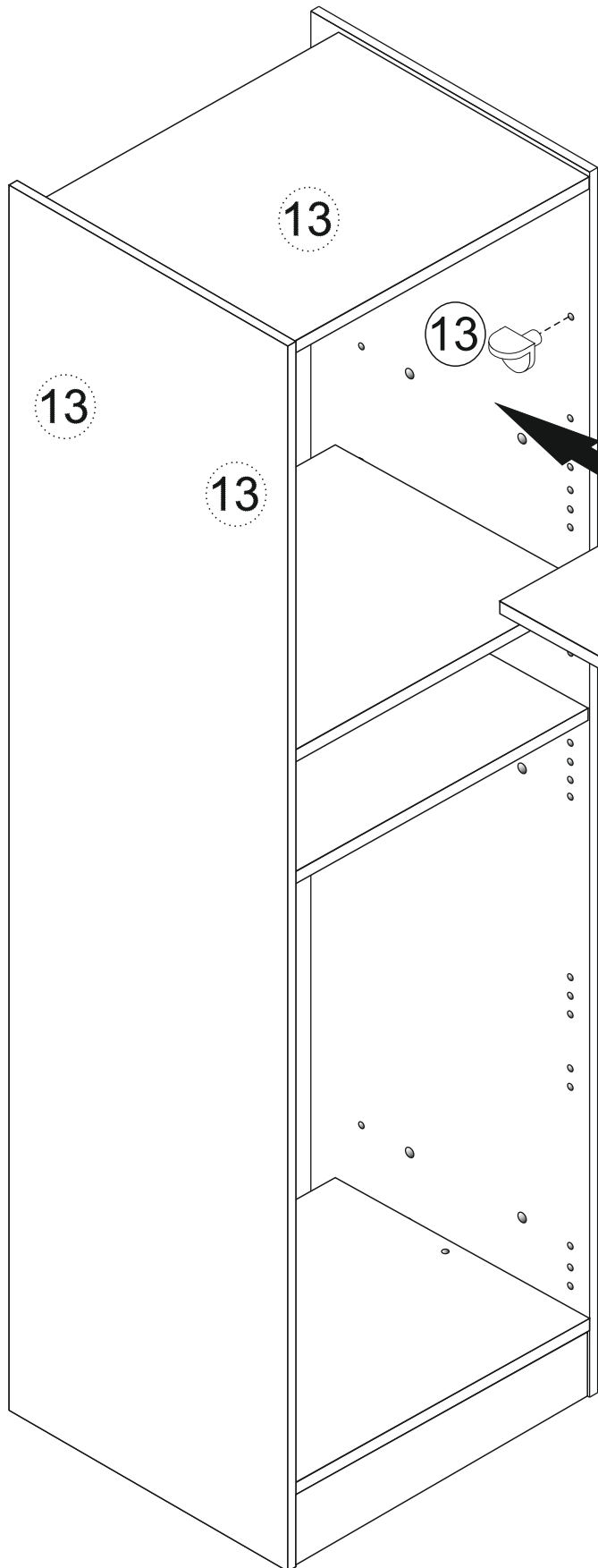
7

**OPTION 2**

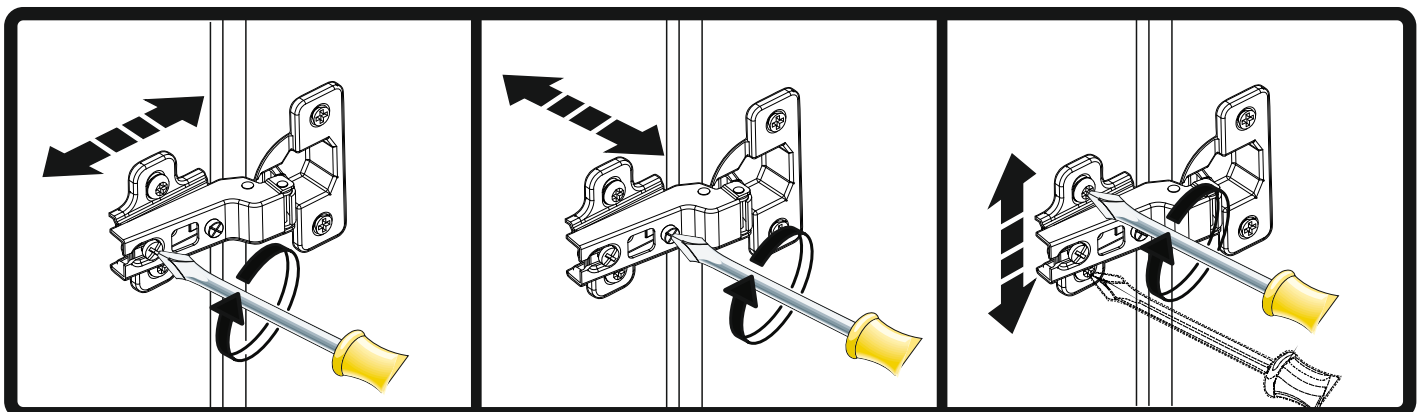
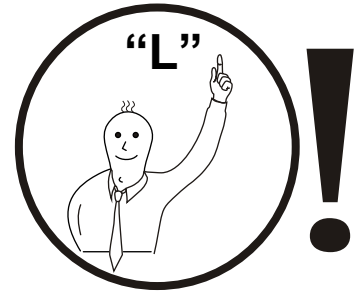
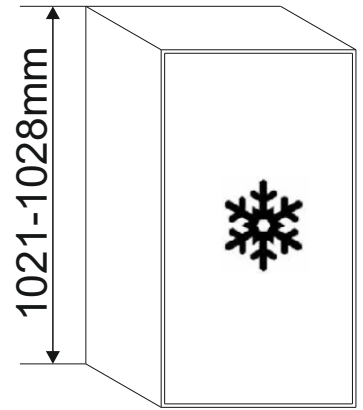
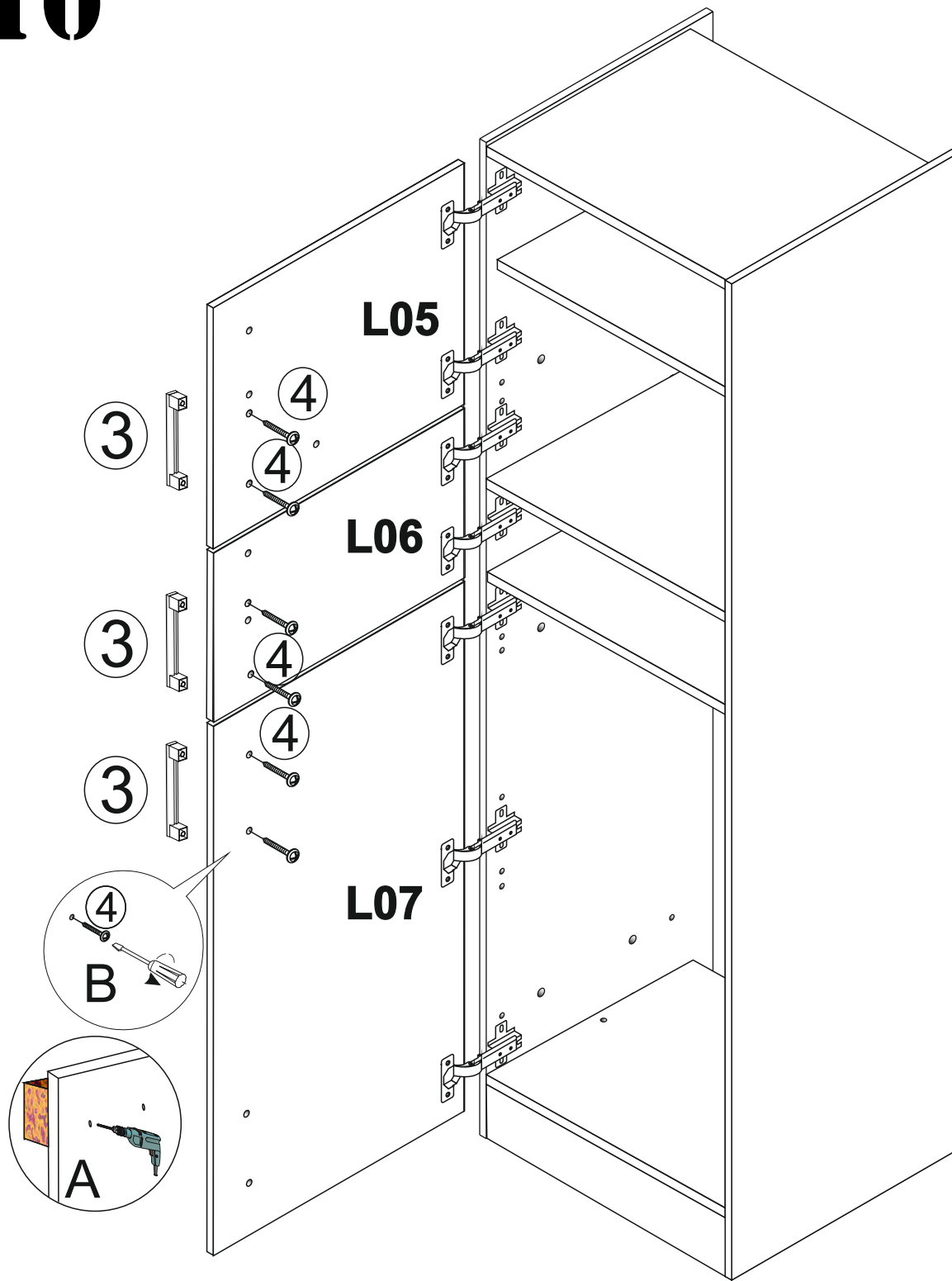


8





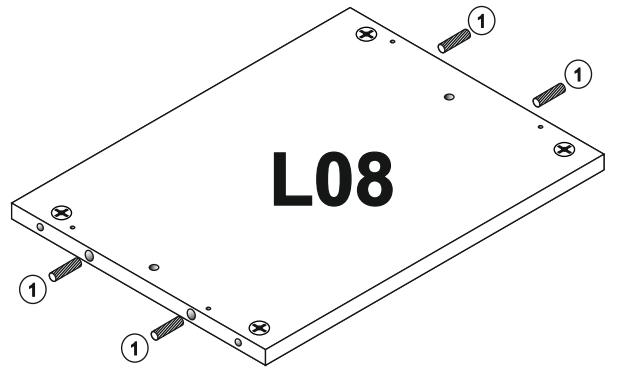
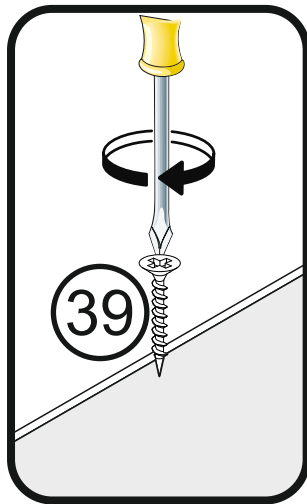
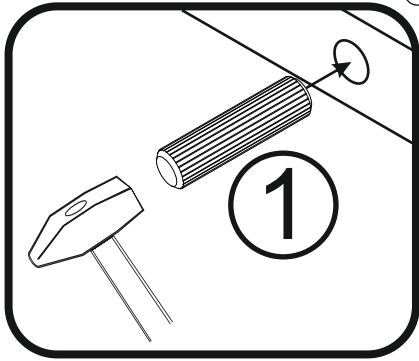
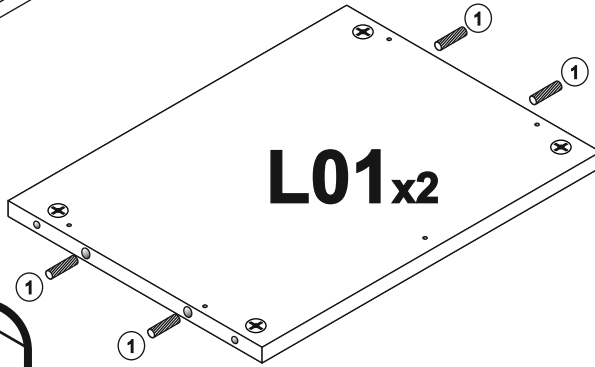
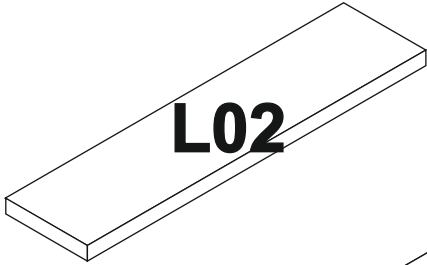
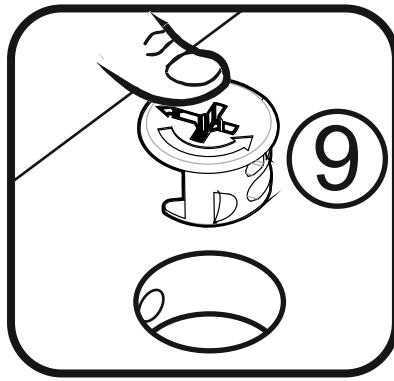
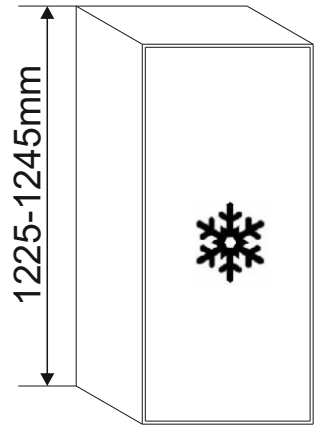
L10 567x500mm



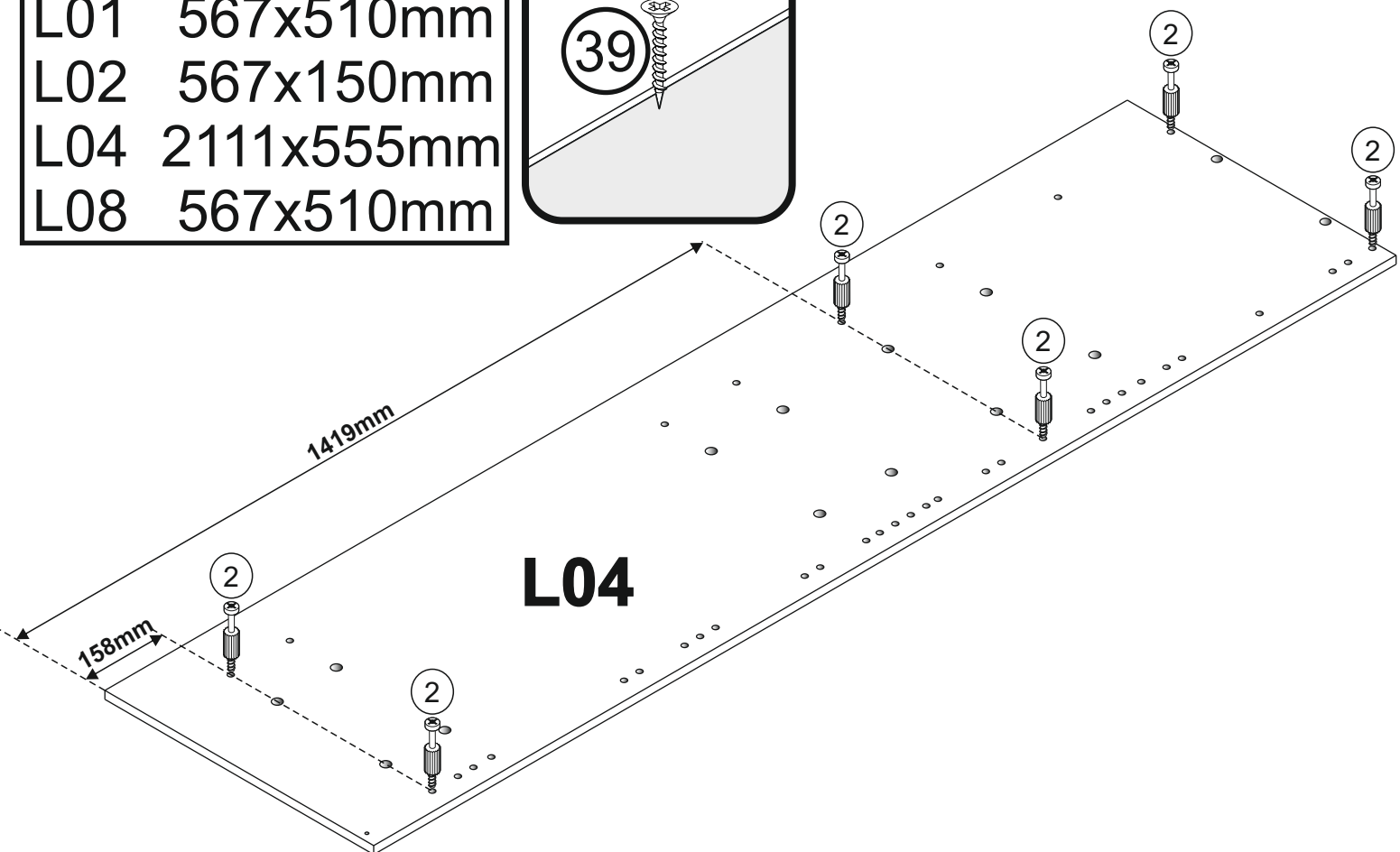


# 1

## OPTION 3

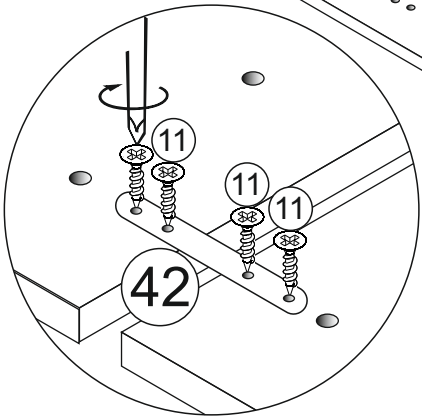
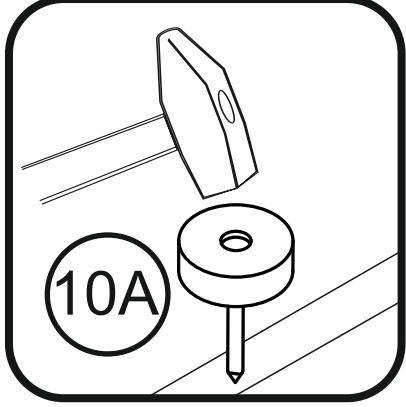
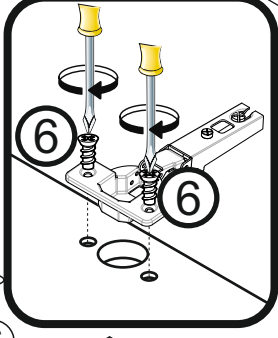
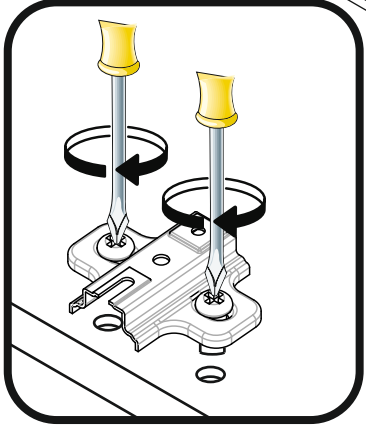
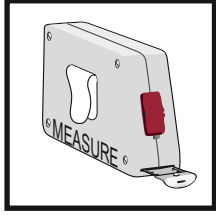
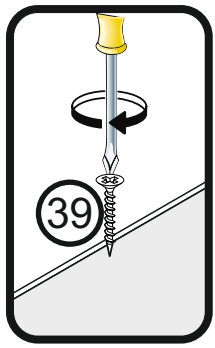
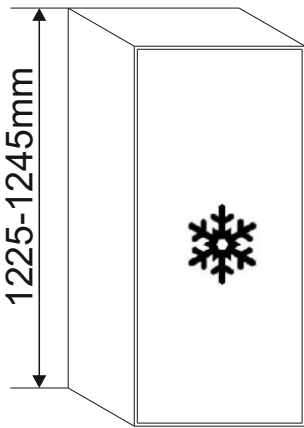
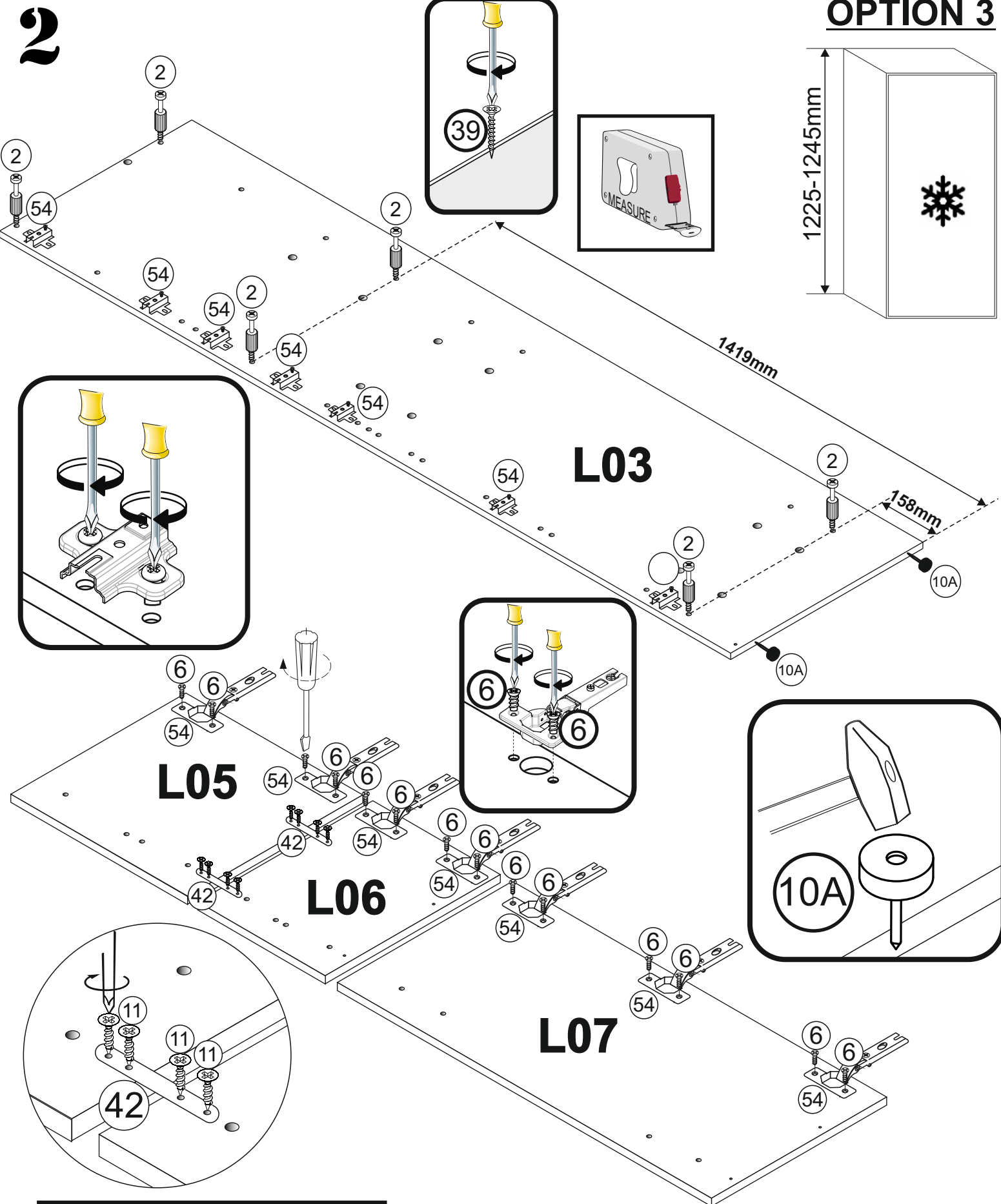


L01	567x510mm
L02	567x150mm
L04	2111x555mm
L08	567x510mm



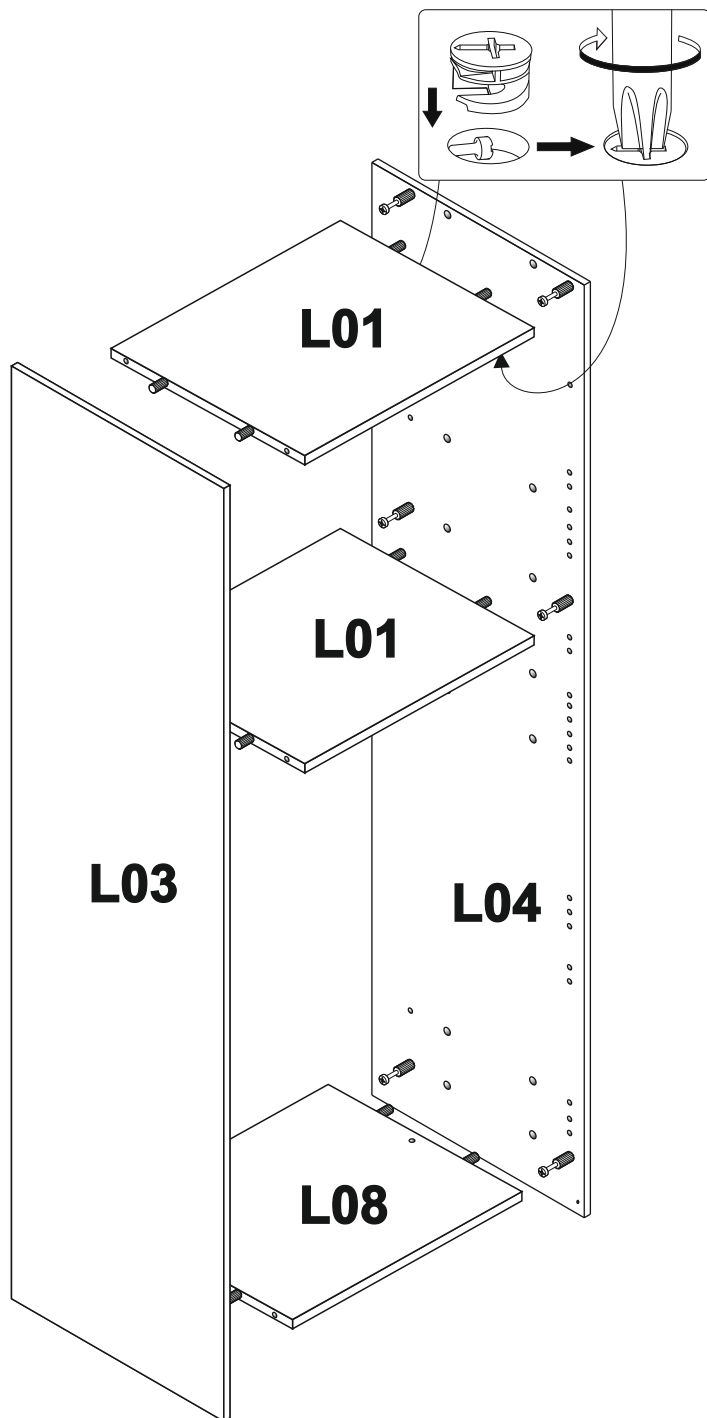
# 2

## OPTION 3

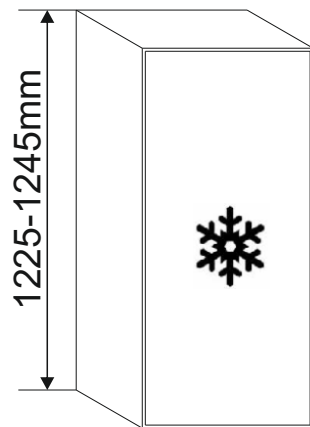


L03	2111x555mm
L05	495x596mm
L06	369x596mm
L07	1086x596mm

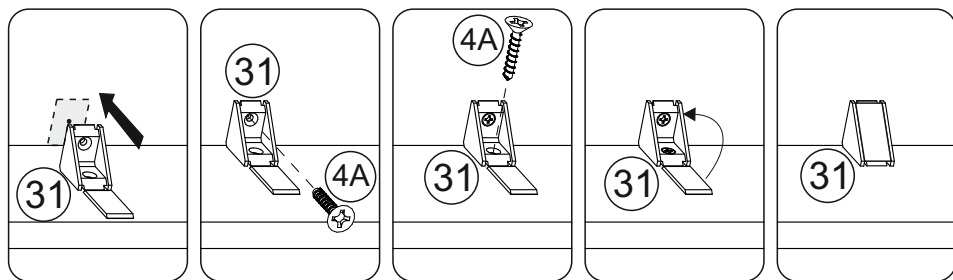
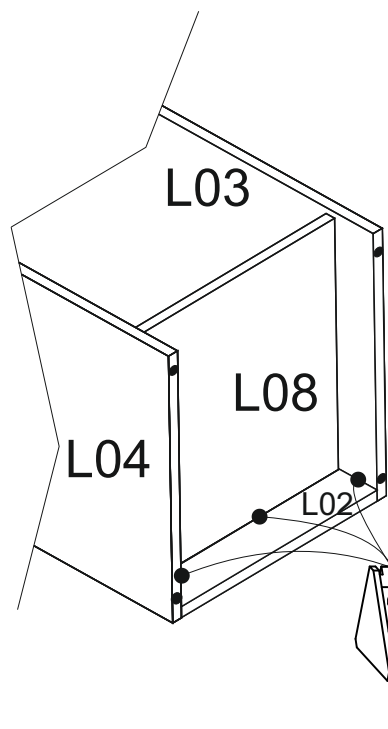
# 3



## OPTION 3



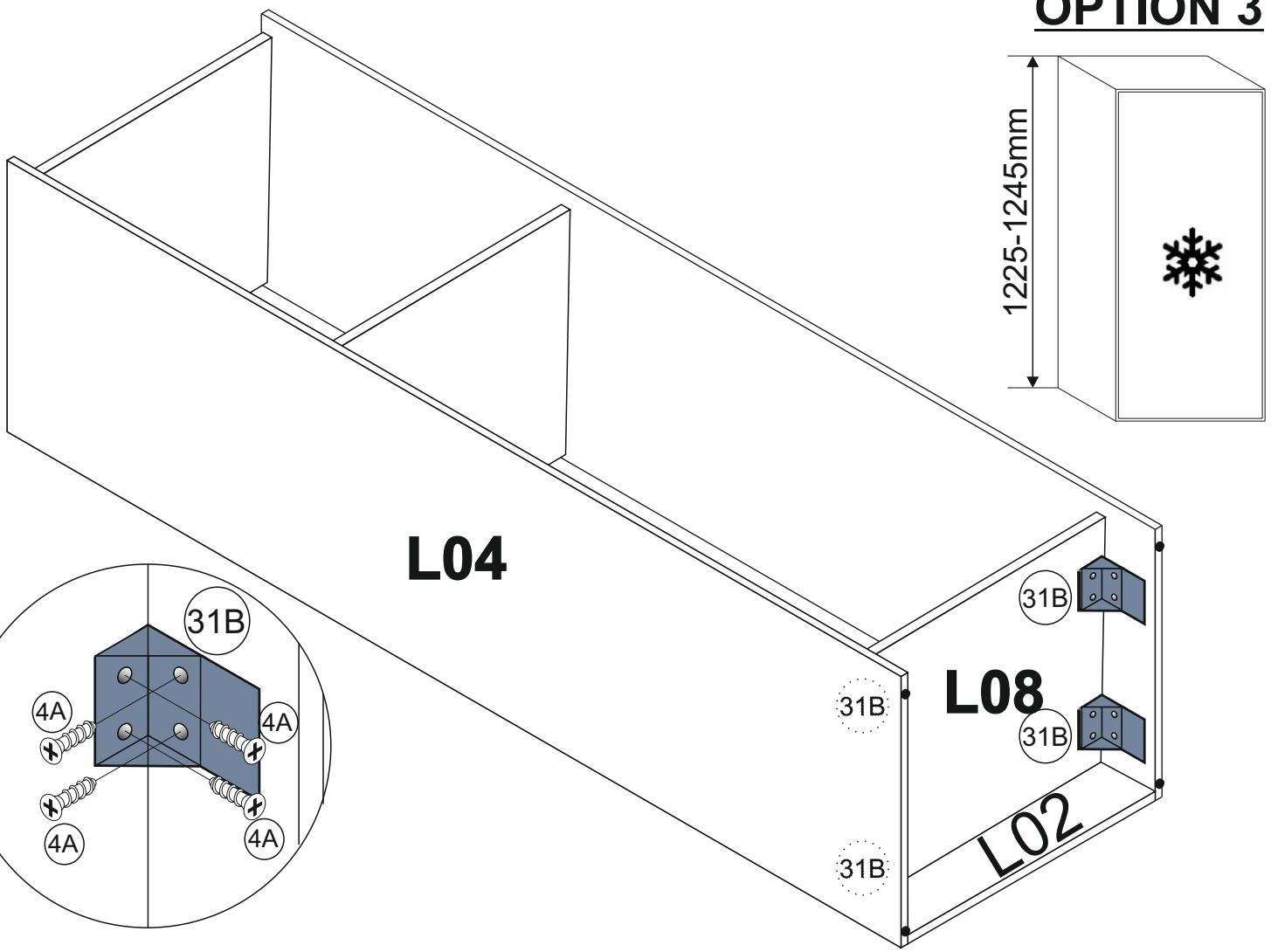
# 4



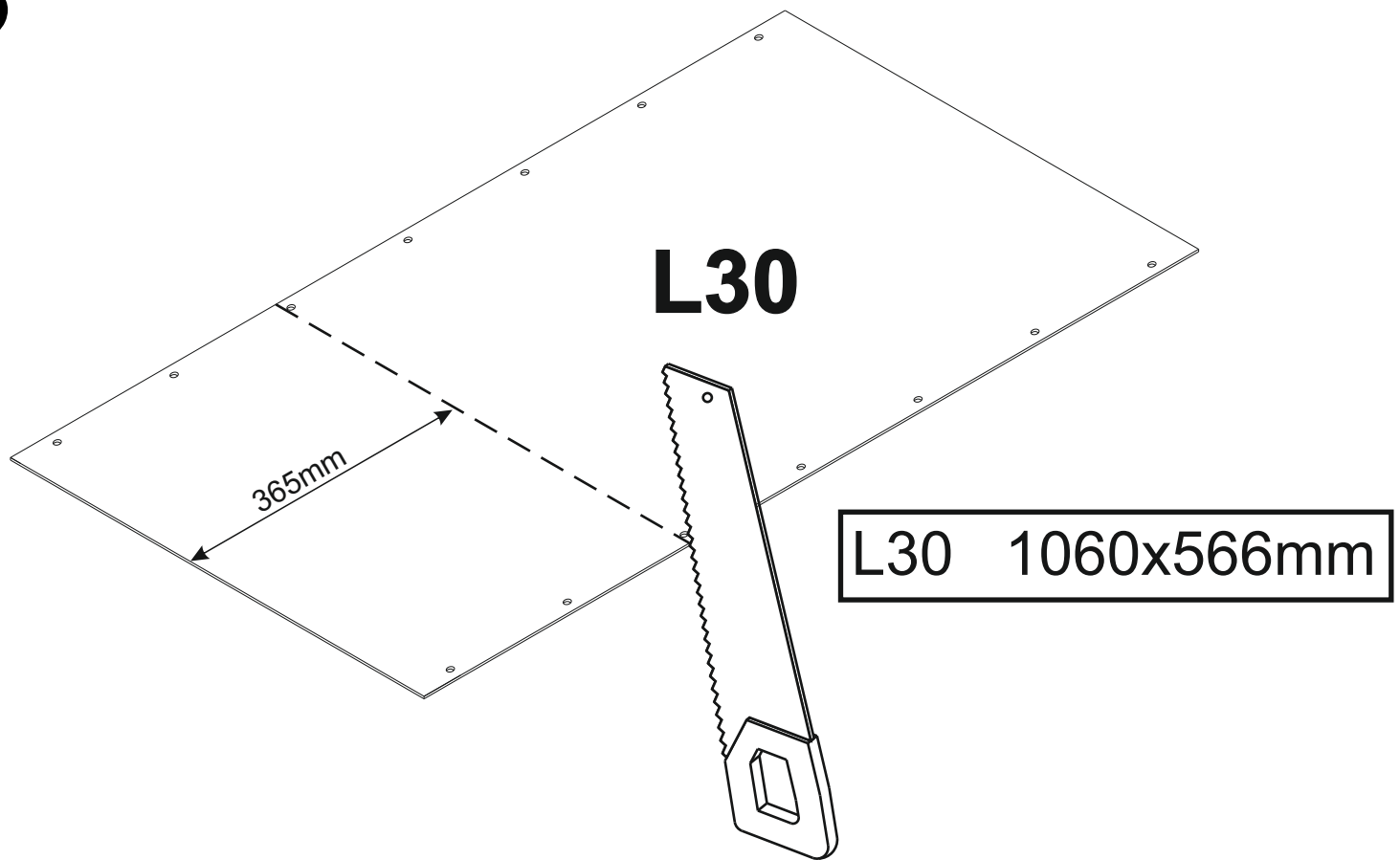
31 x3

5

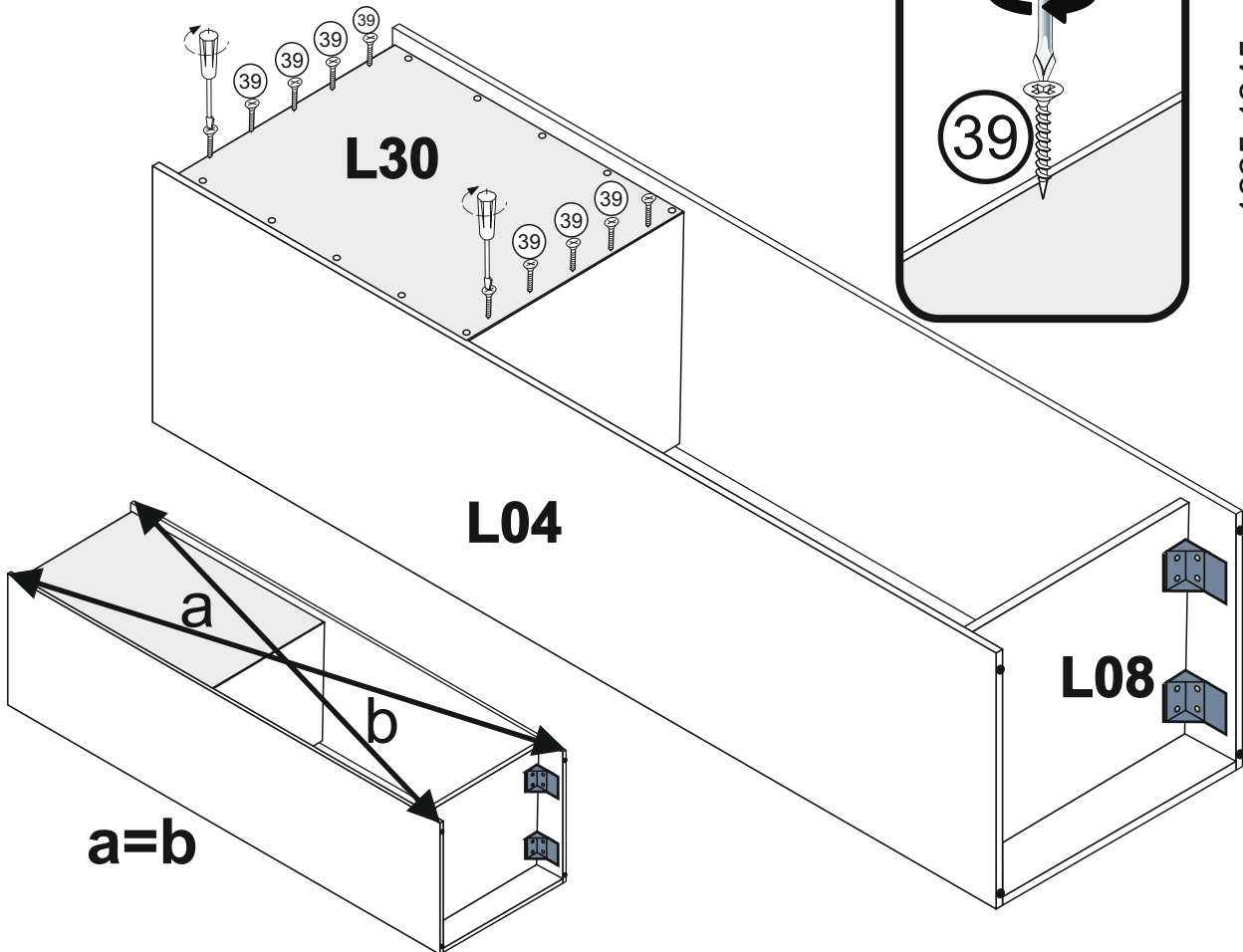
**OPTION 3**



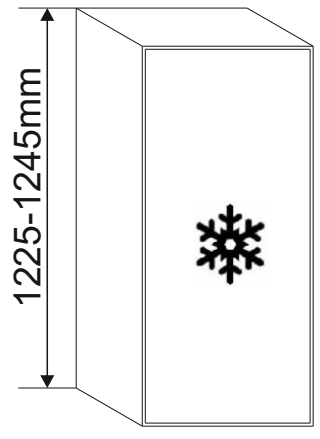
6



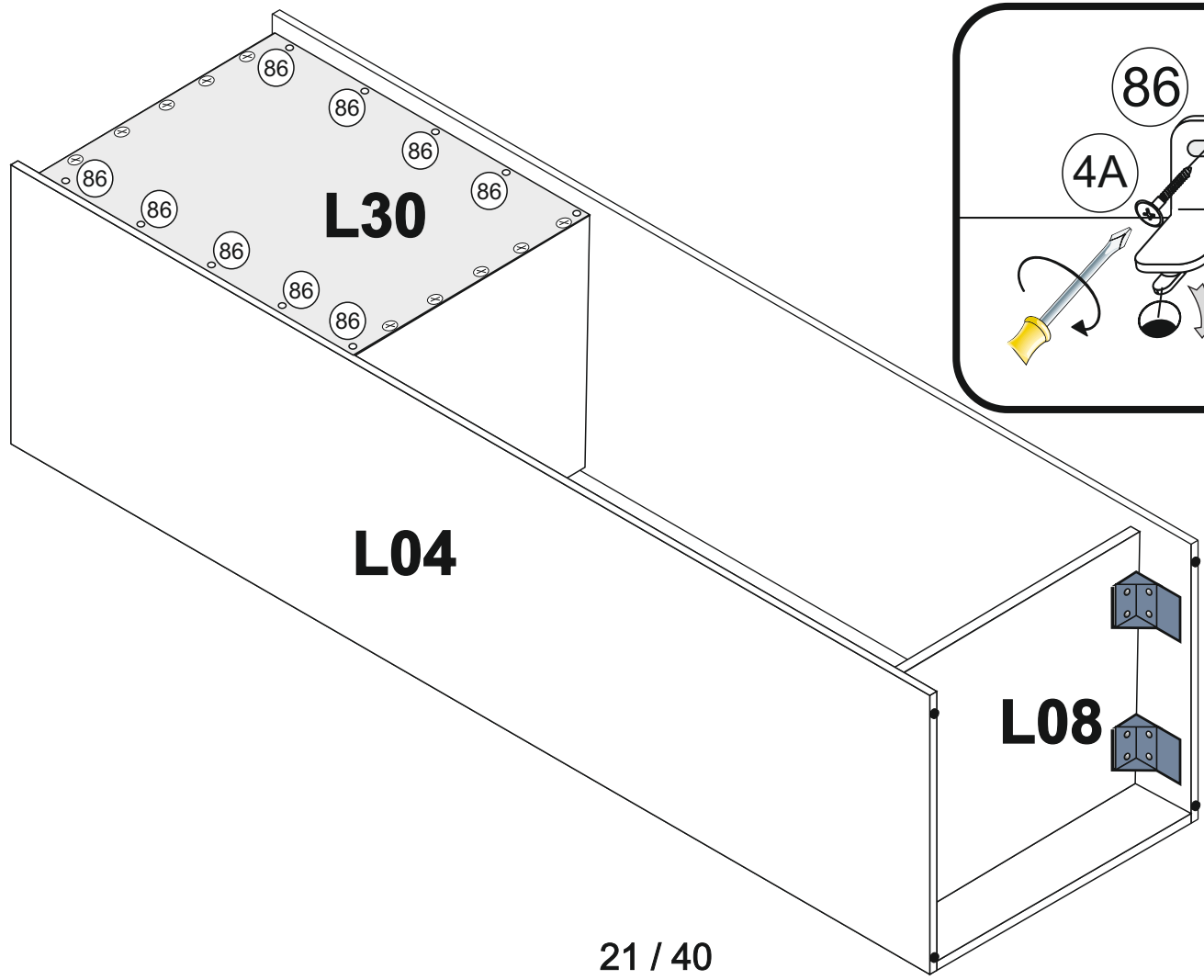
7

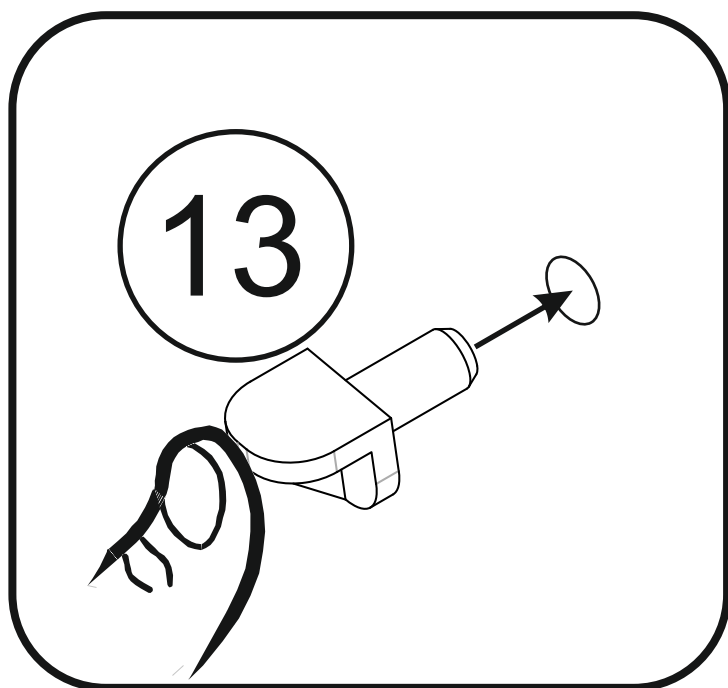
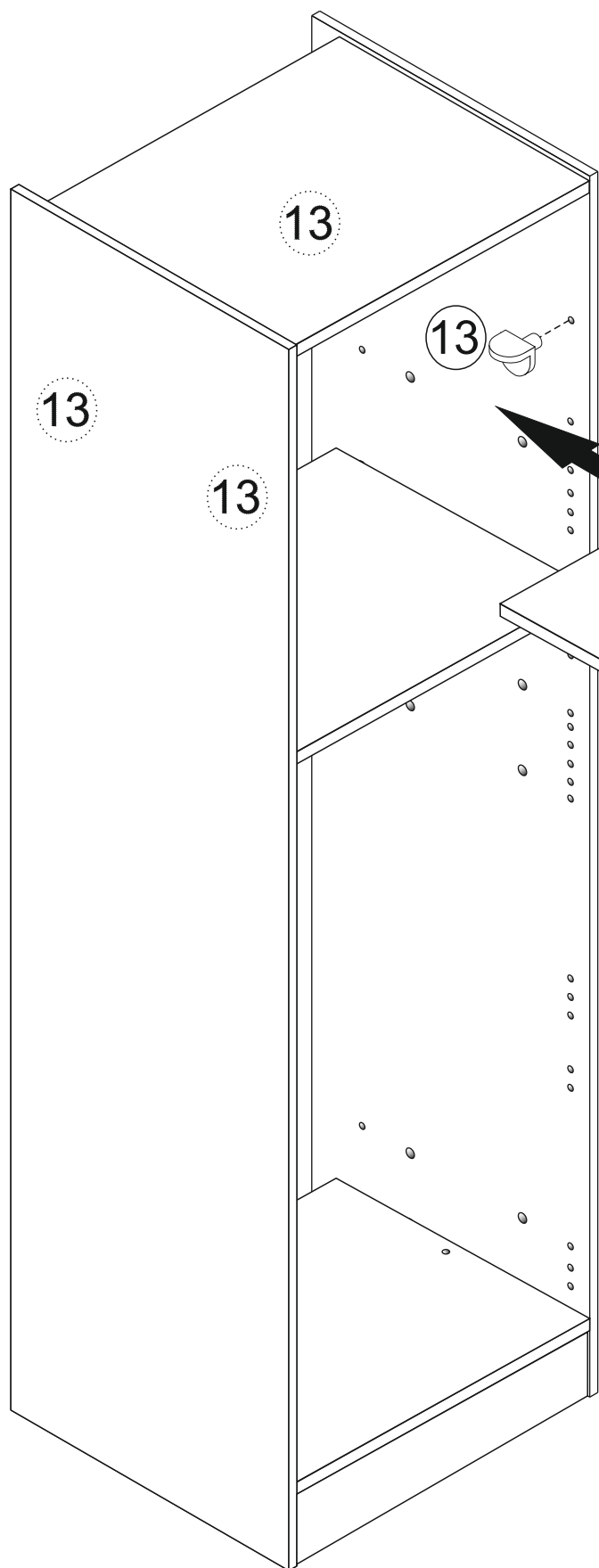
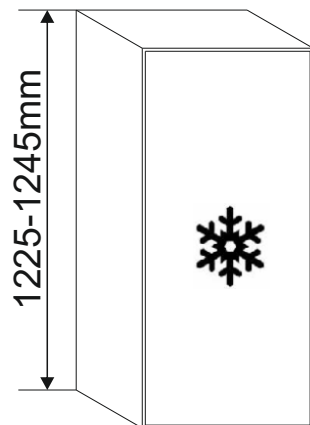


**OPTION 3**

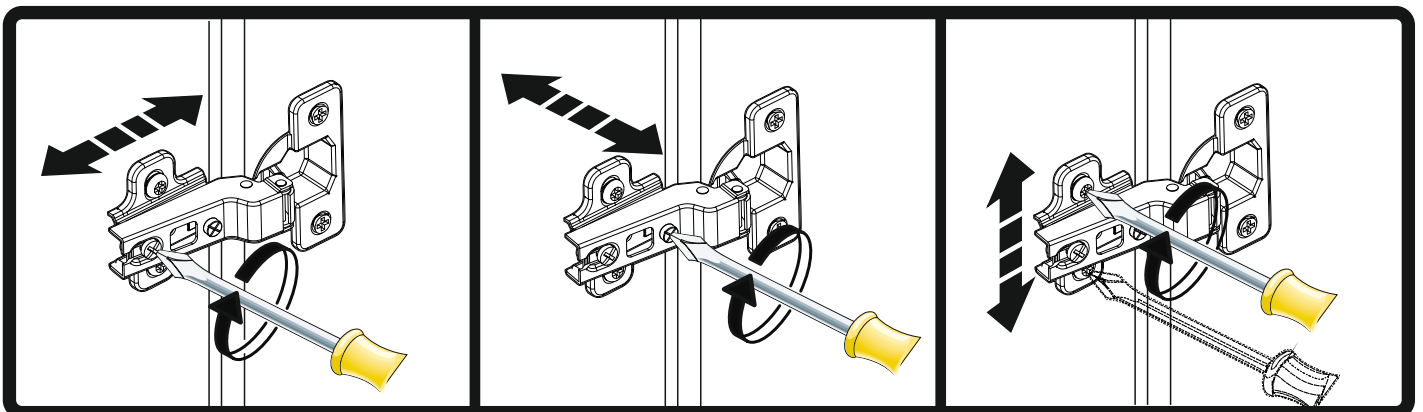
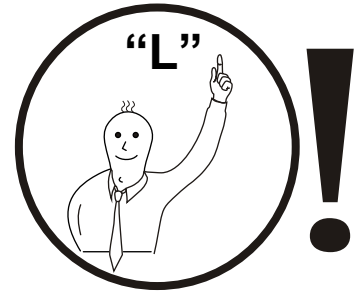
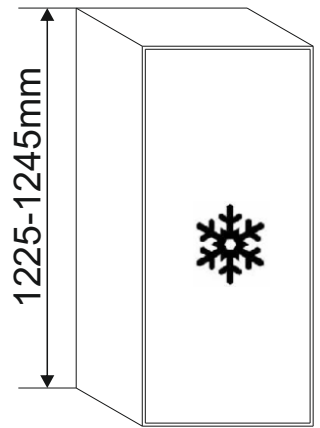
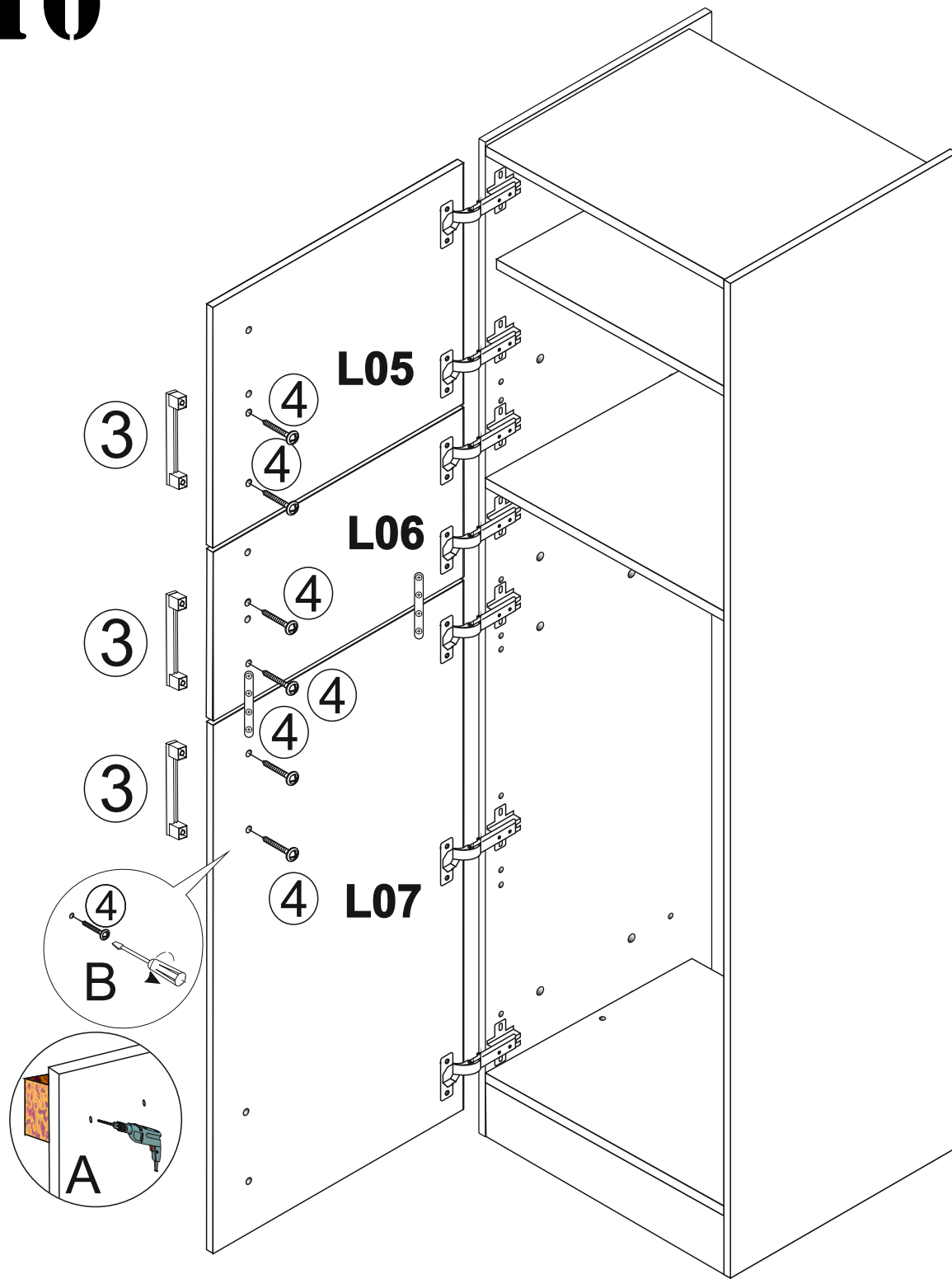


8



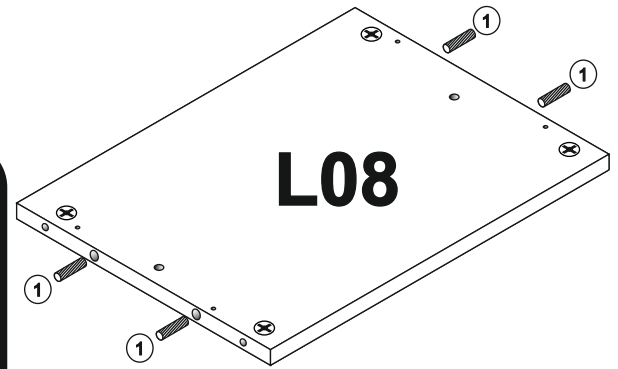
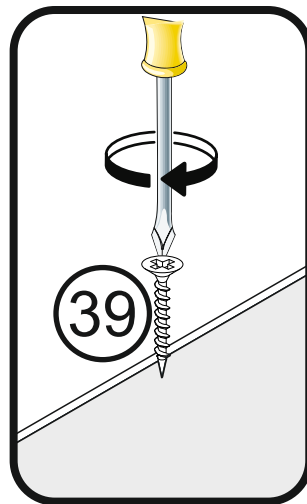
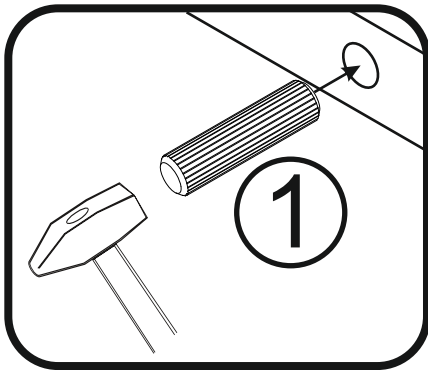
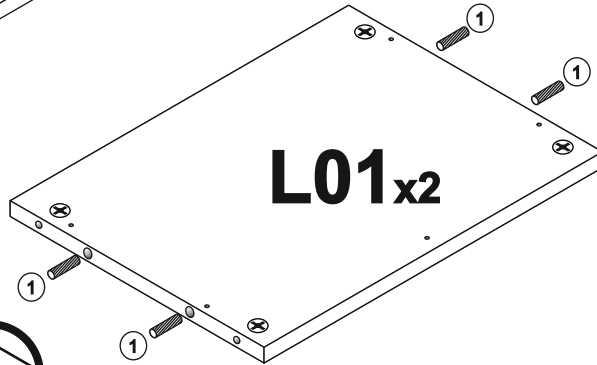
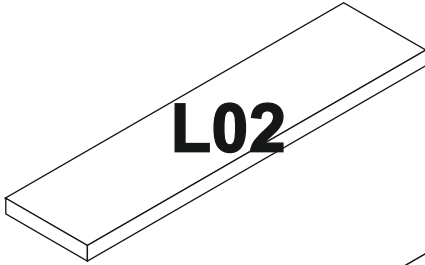
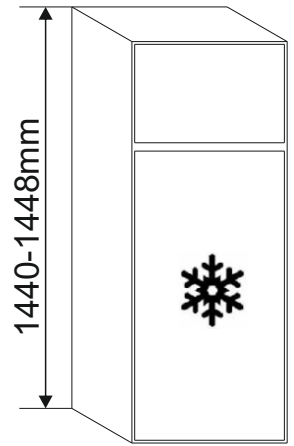
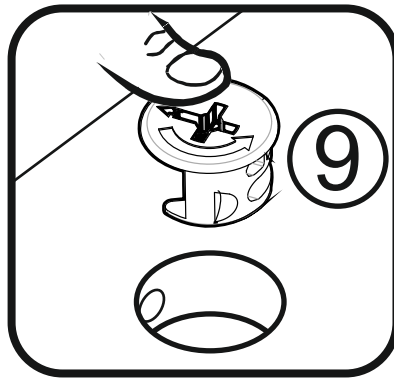


L10 567x500mm

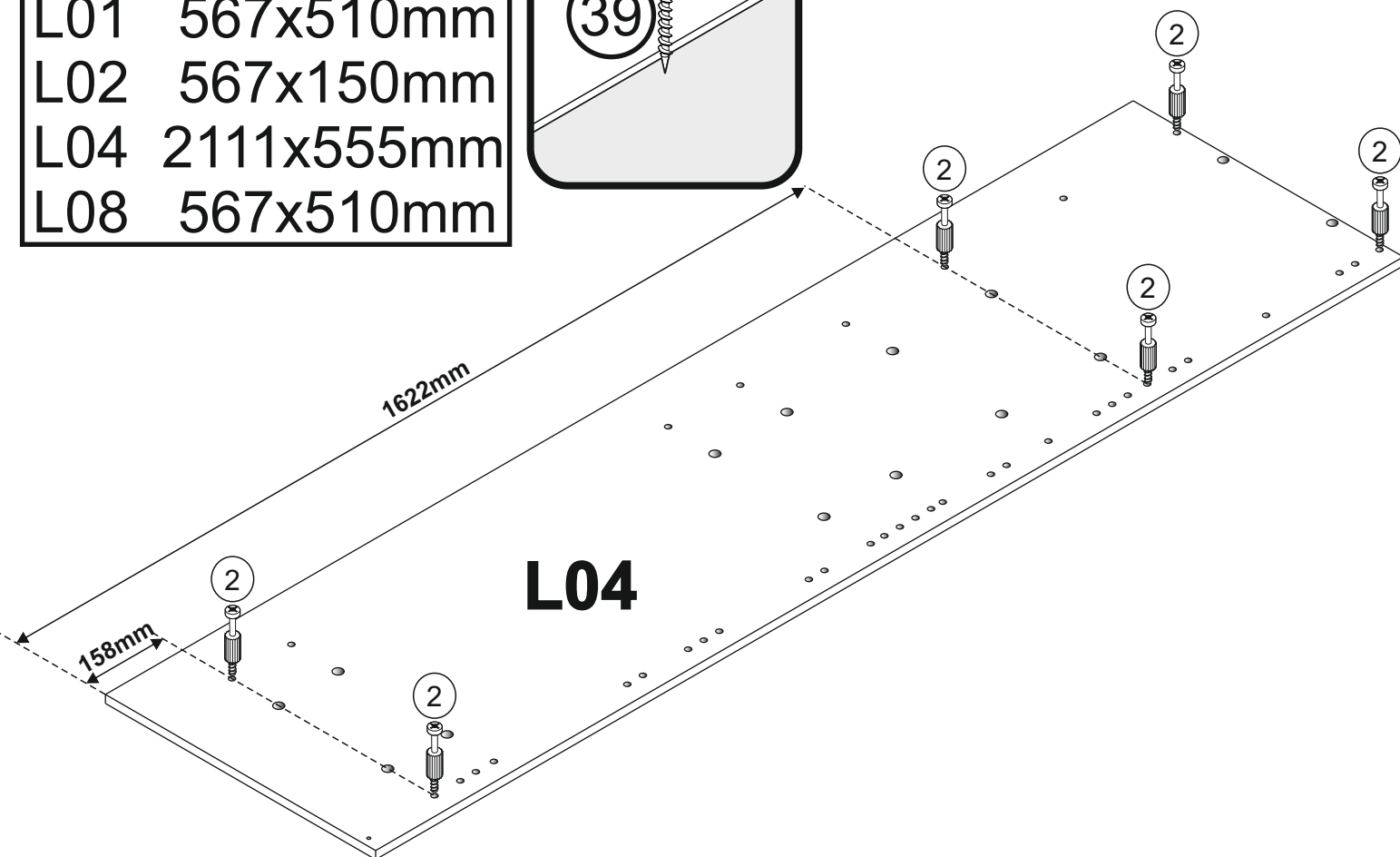


# 1

## OPTION 4



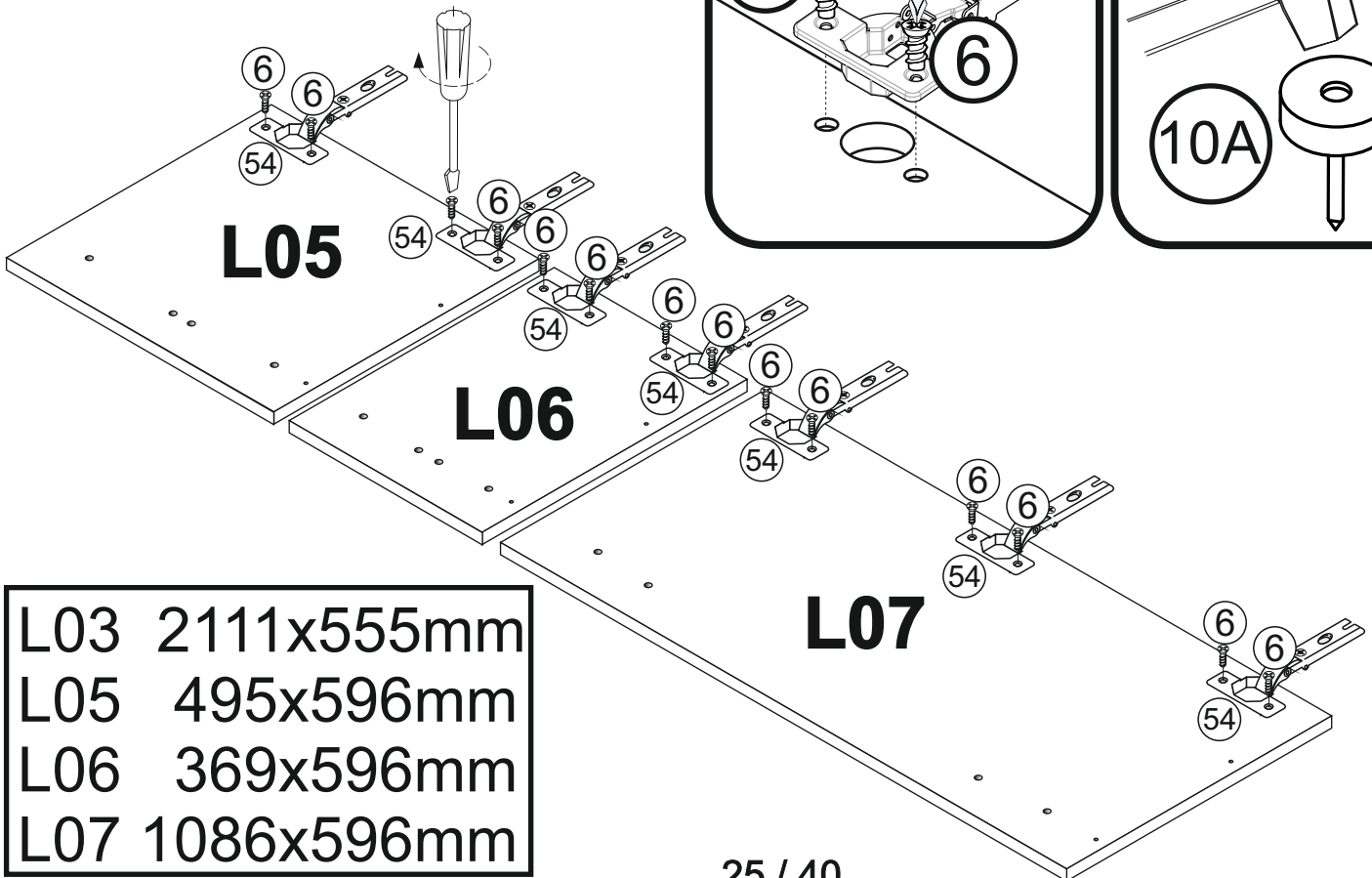
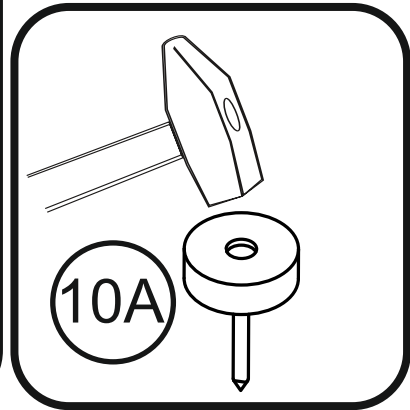
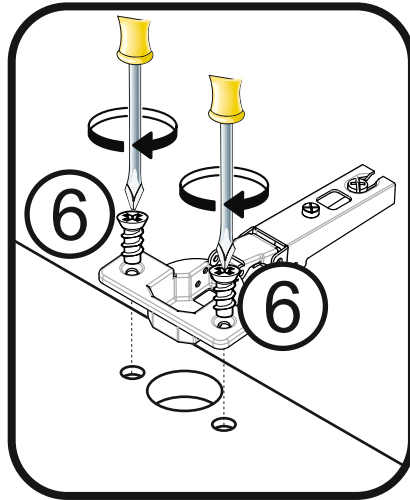
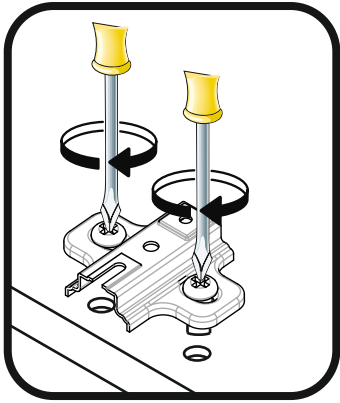
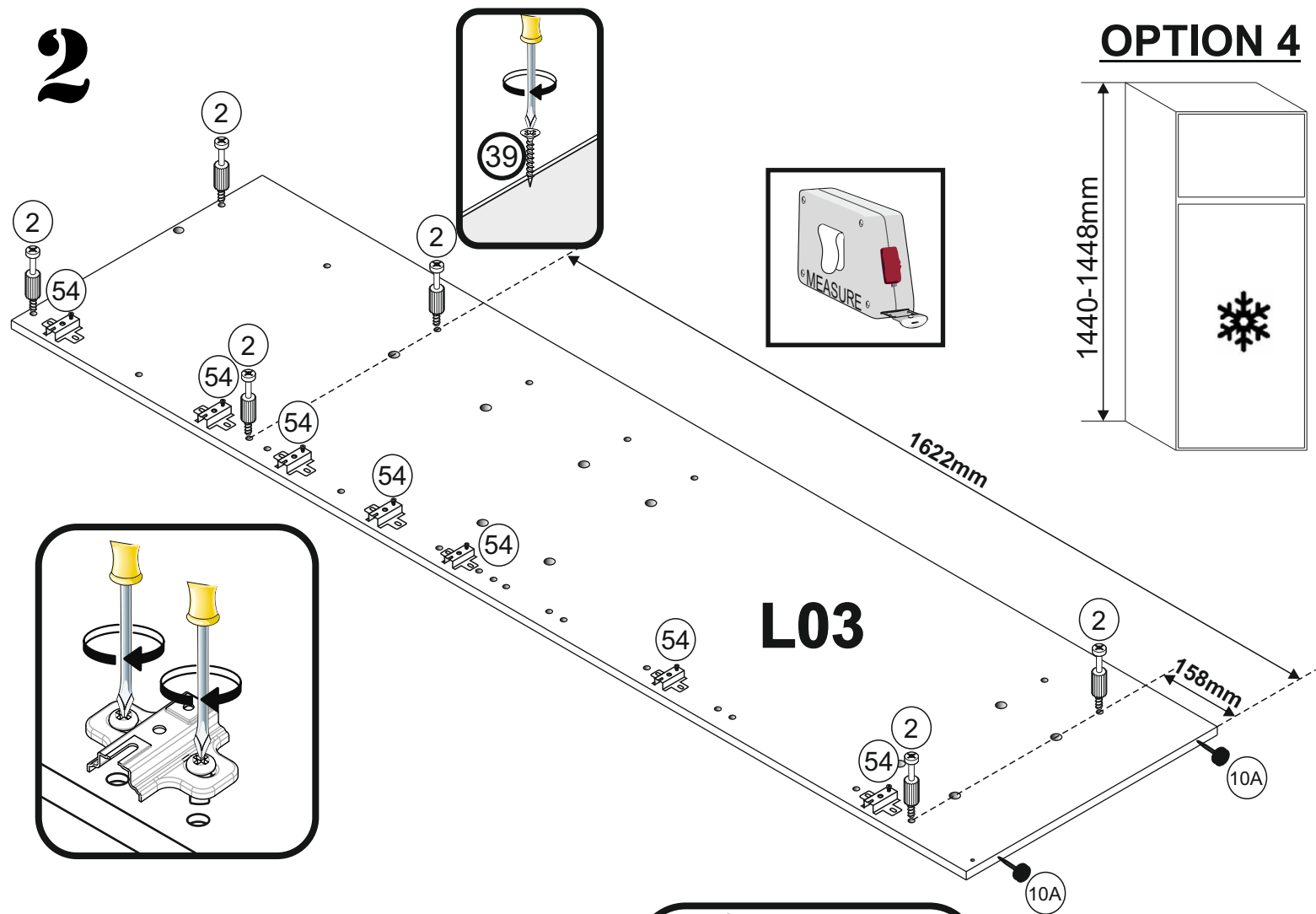
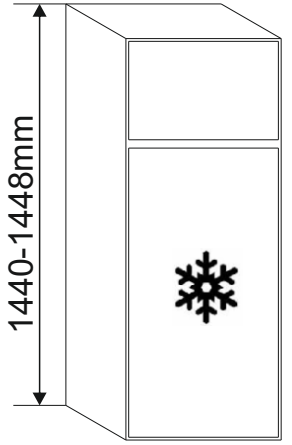
L01	567x510mm
L02	567x150mm
L04	2111x555mm
L08	567x510mm





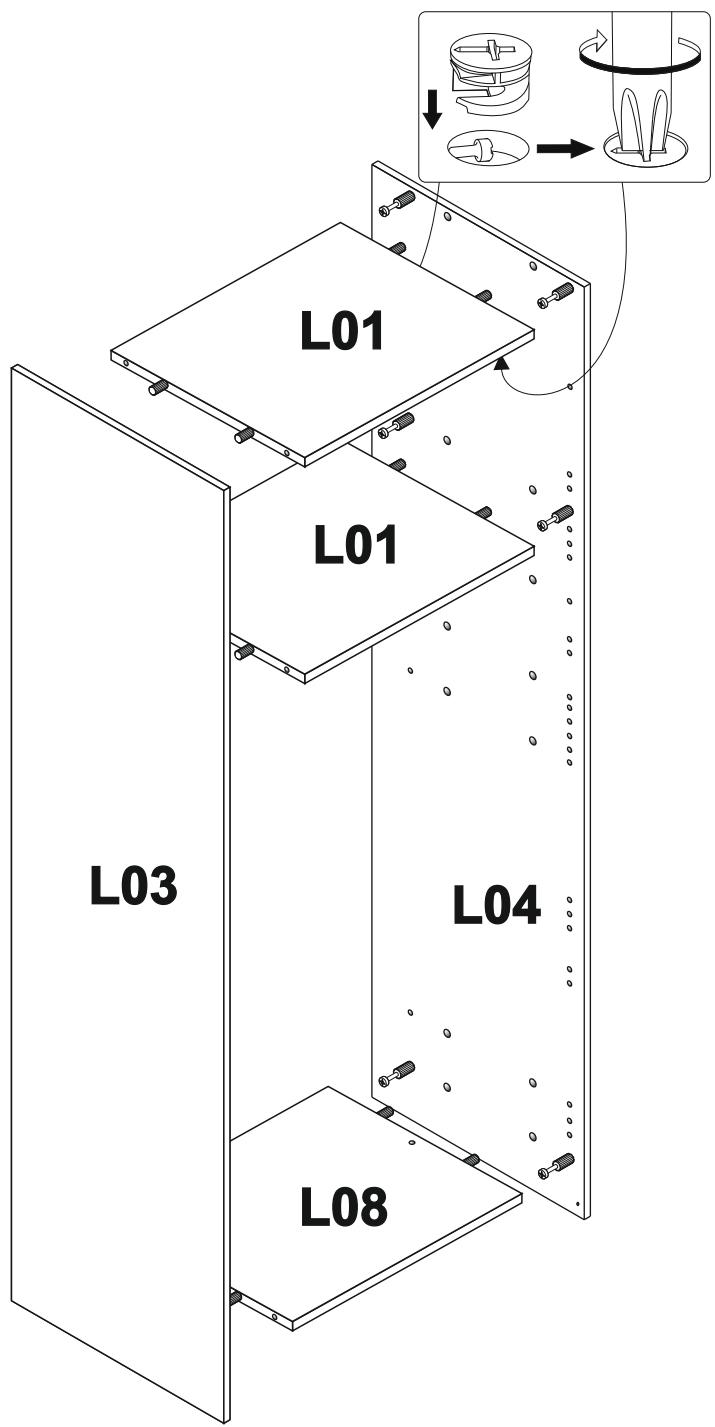
# 2

## OPTION 4

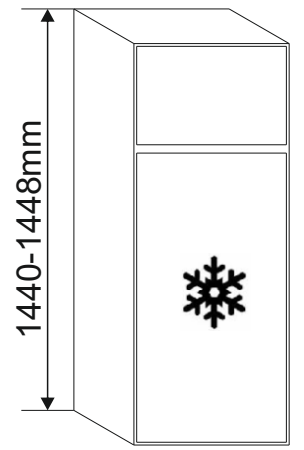


L03	2111x555mm
L05	495x596mm
L06	369x596mm
L07	1086x596mm

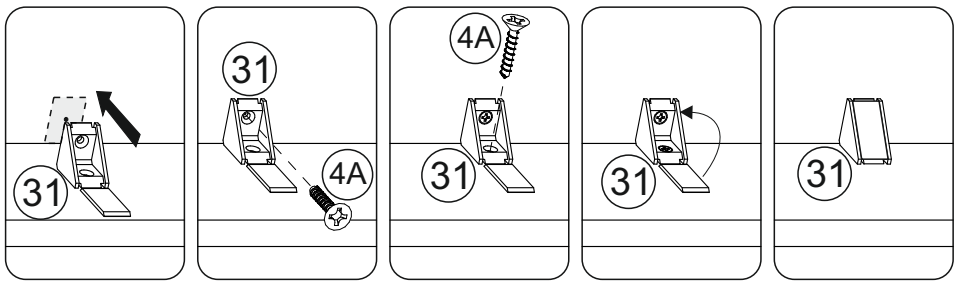
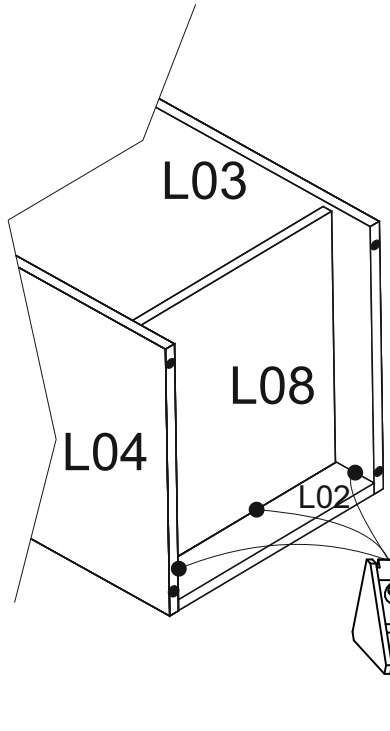
# 3



## OPTION 4



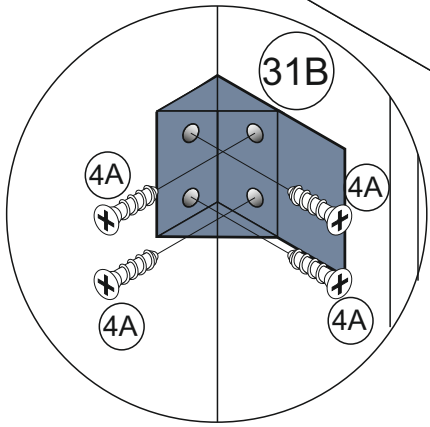
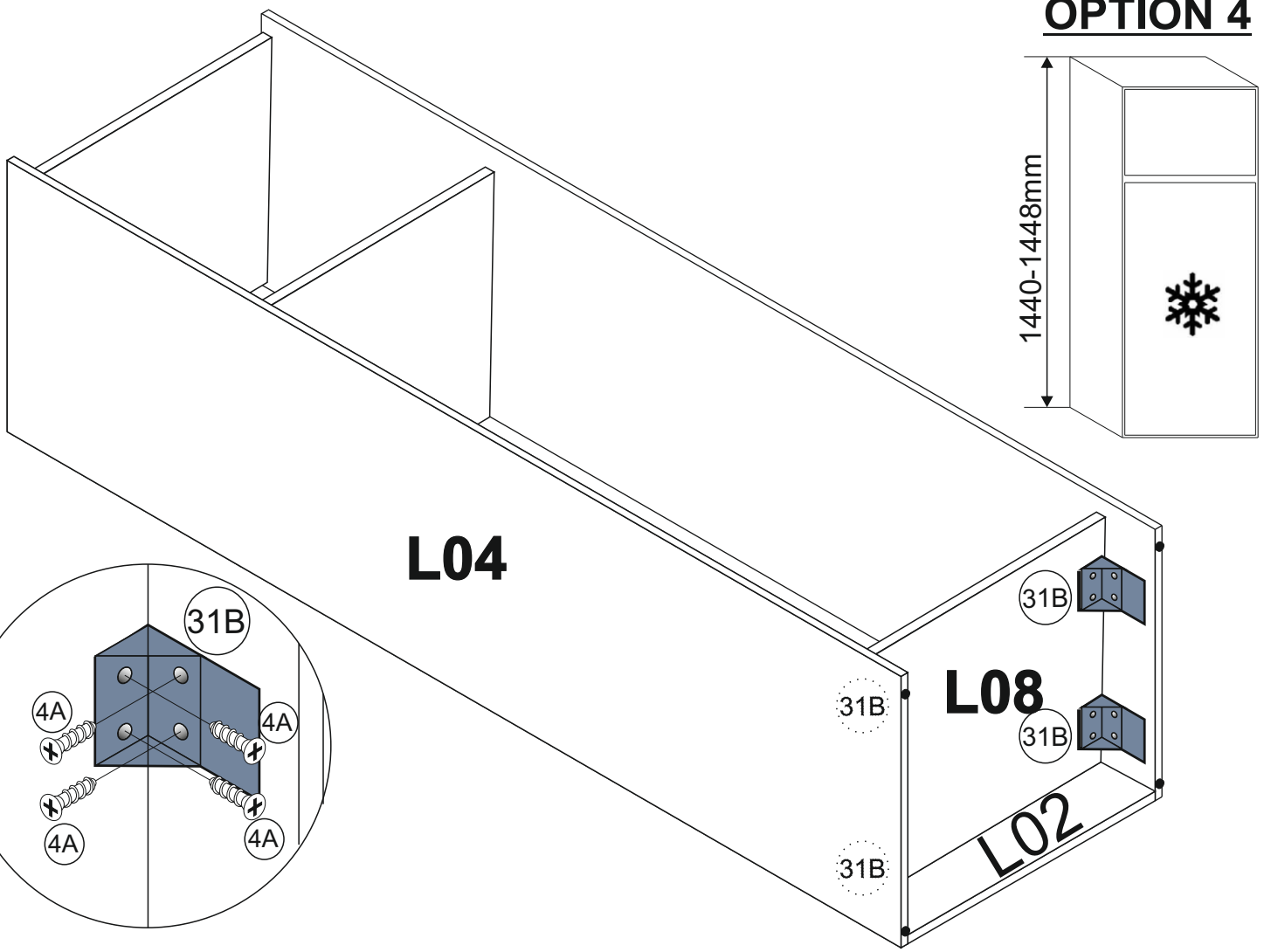
# 4



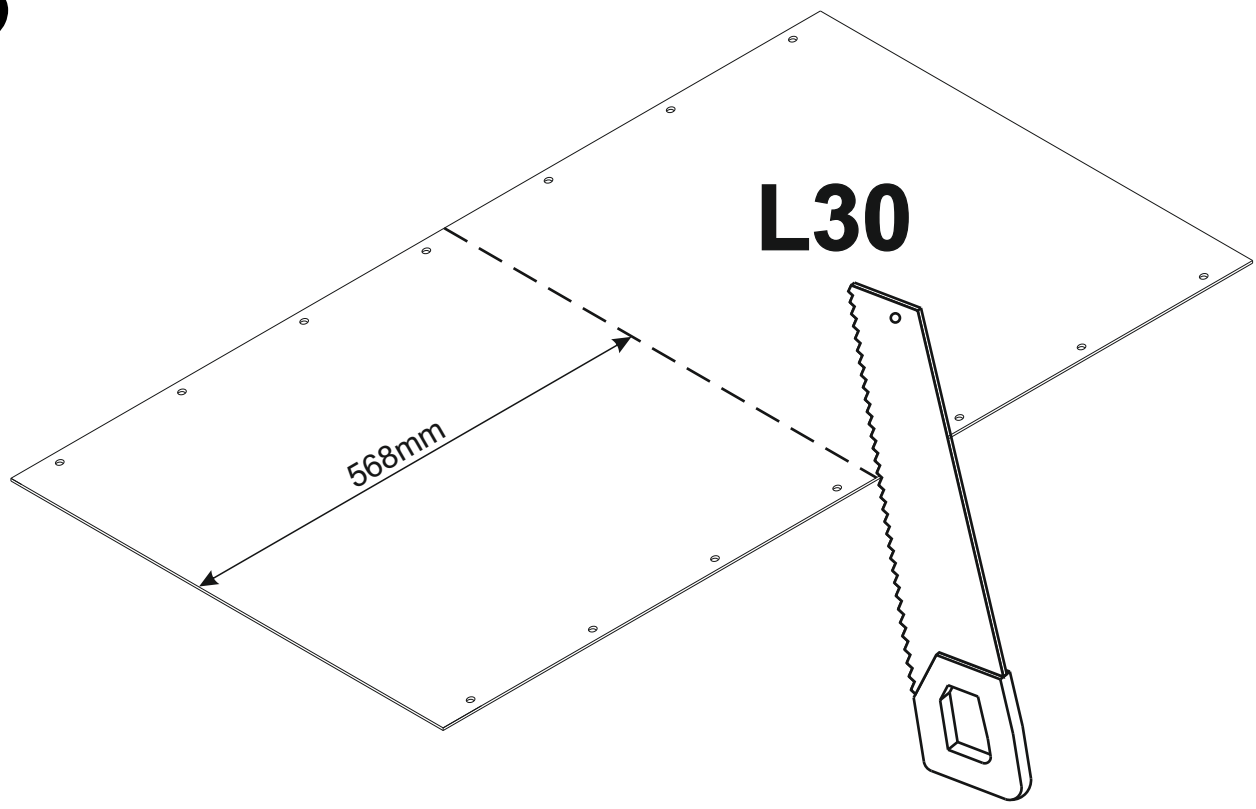
31 x3

5

**OPTION 4**



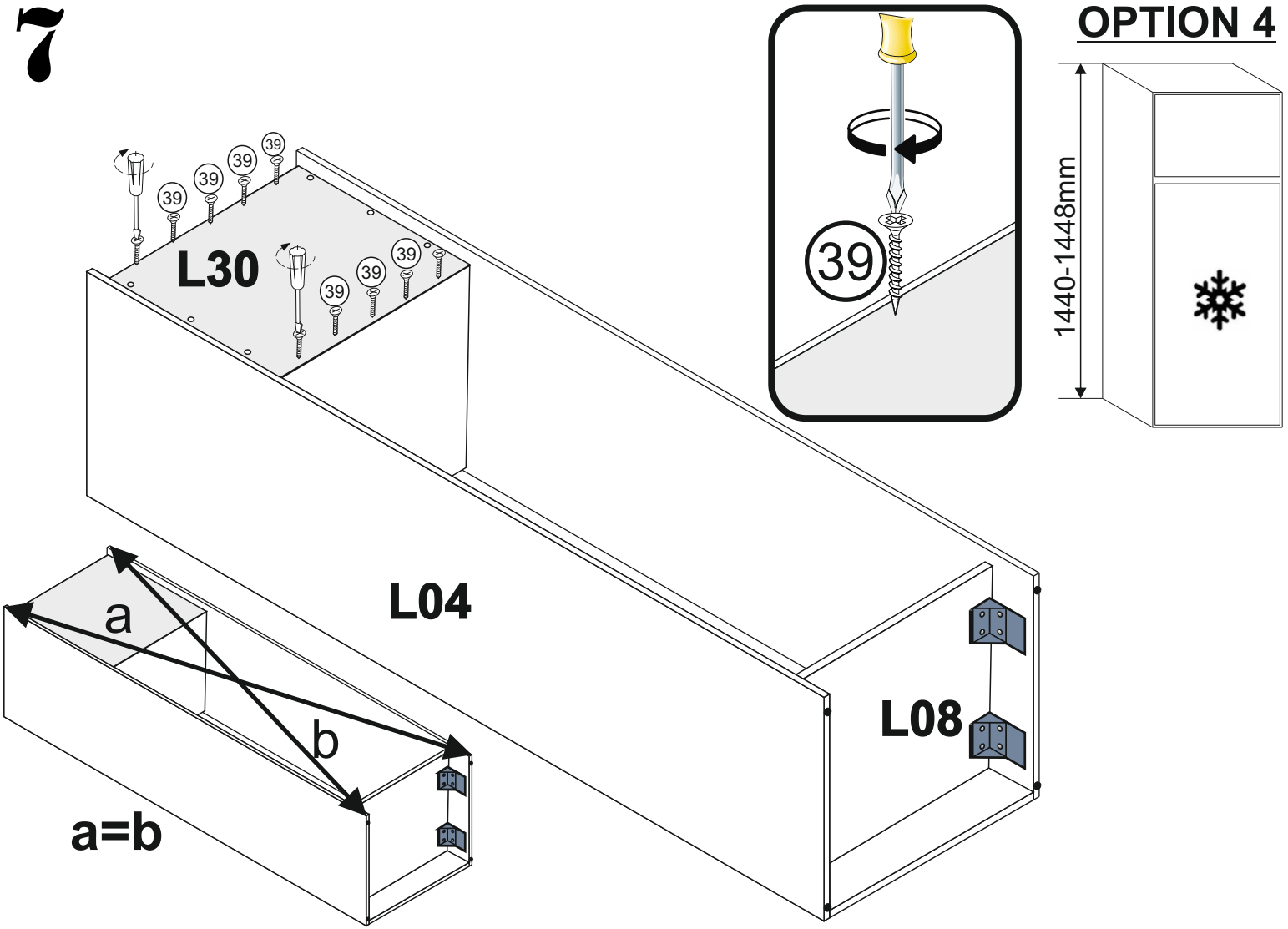
6



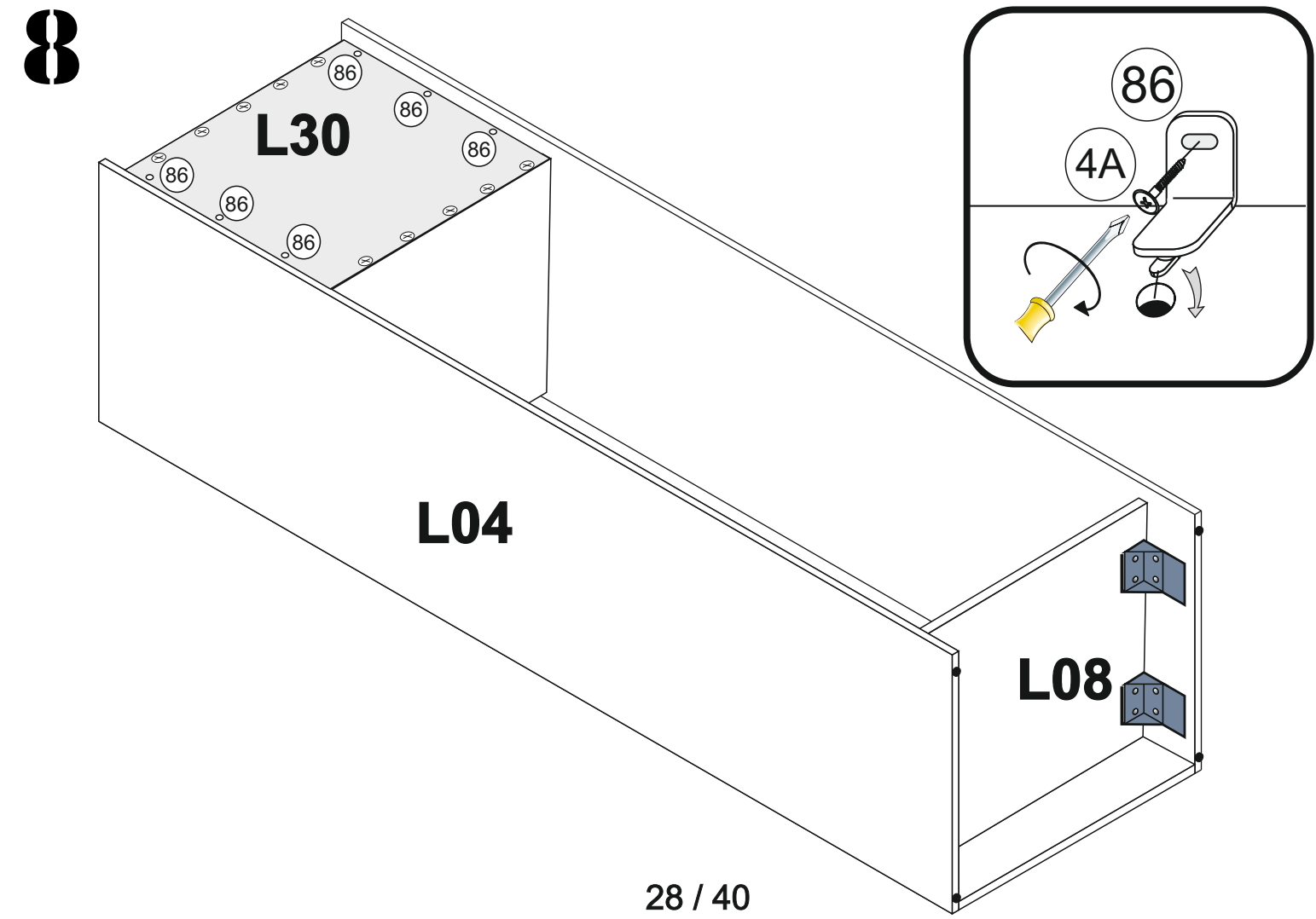
<b>L30</b>	<b>1060x566mm</b>
------------	-------------------

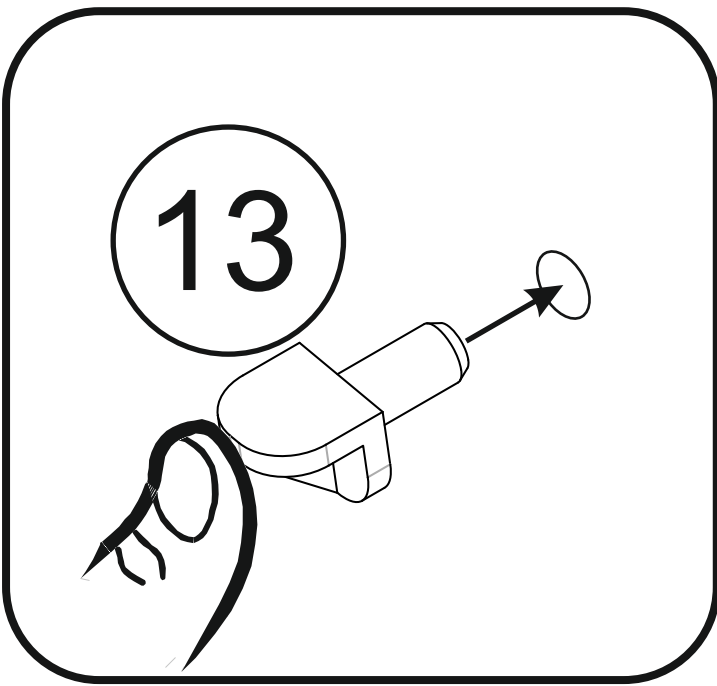
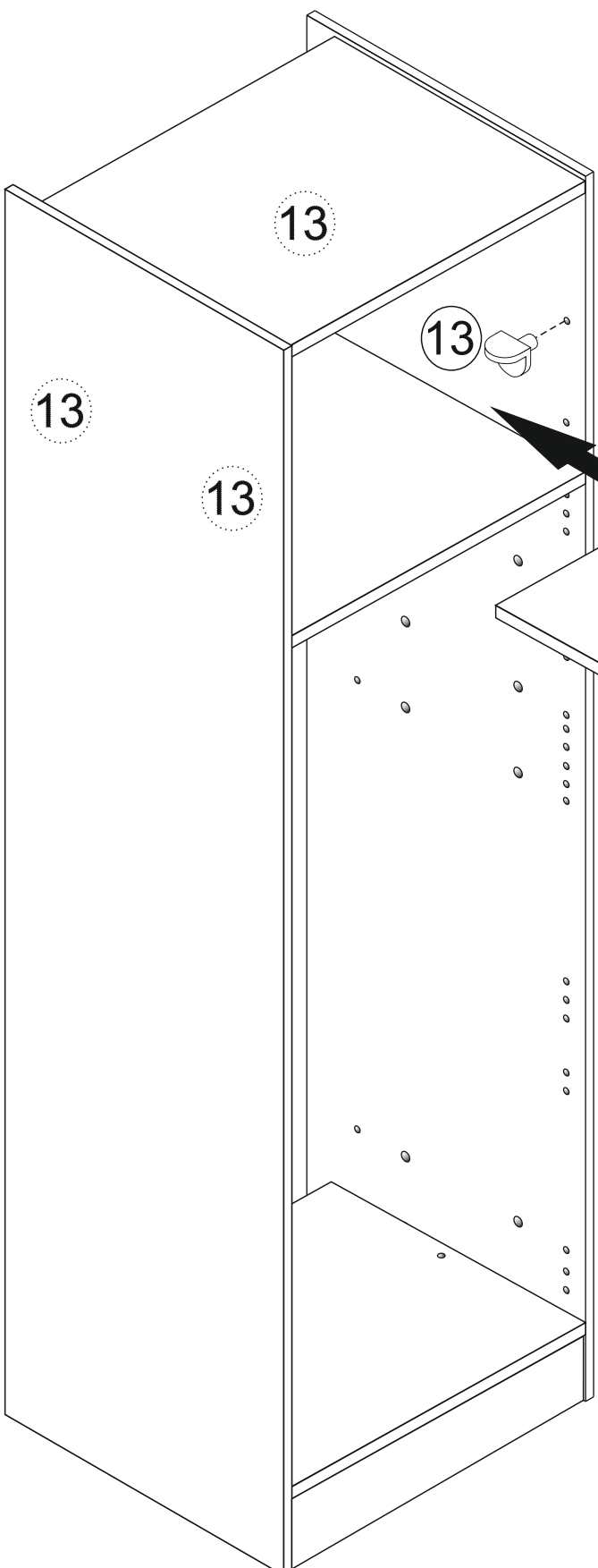
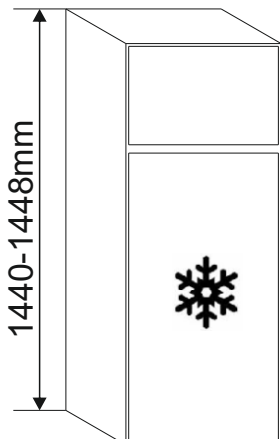
7

**OPTION 4**

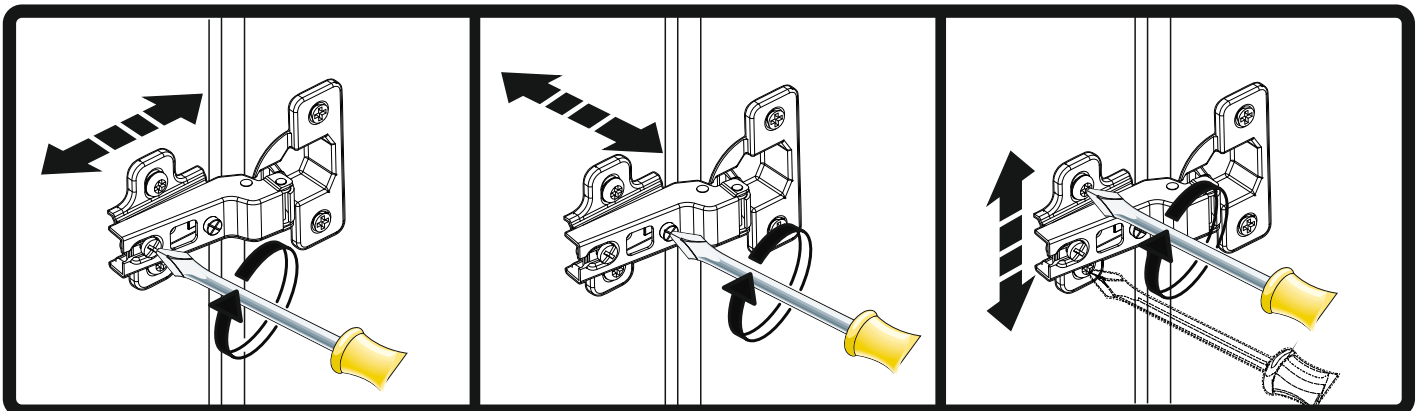
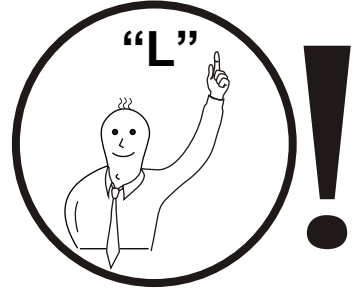
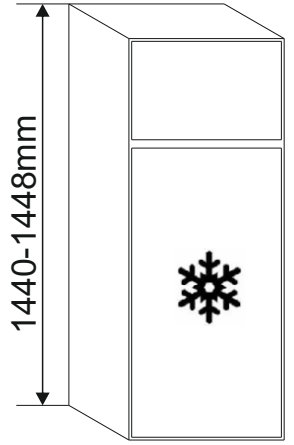
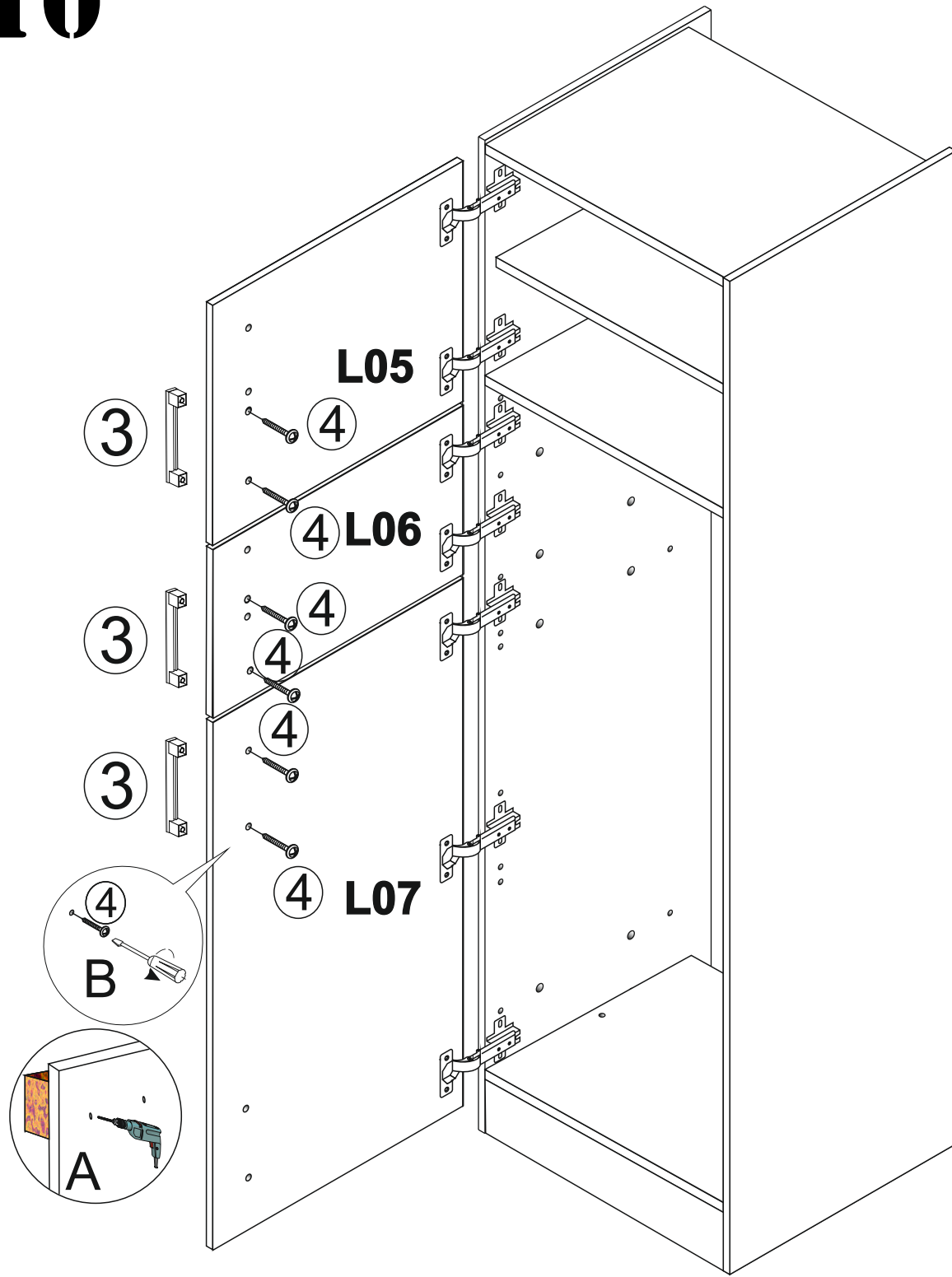


8



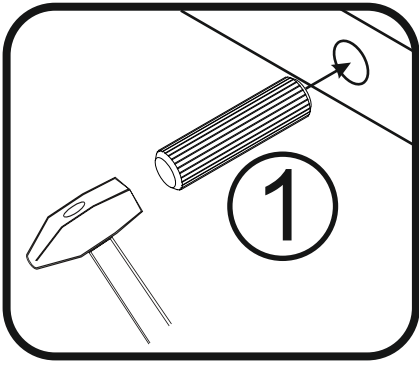
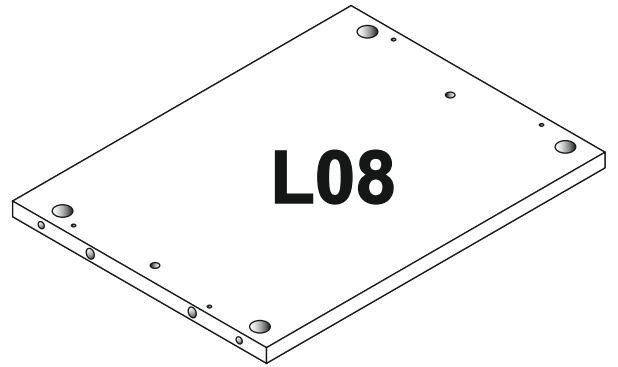
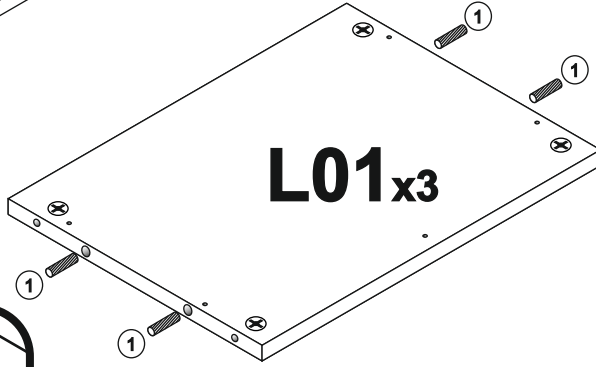
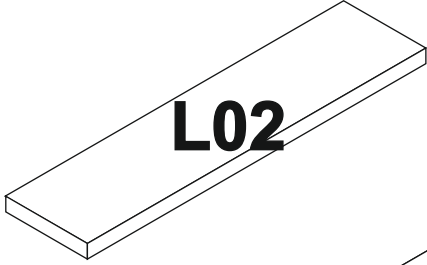
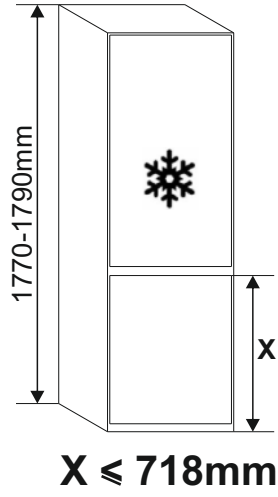
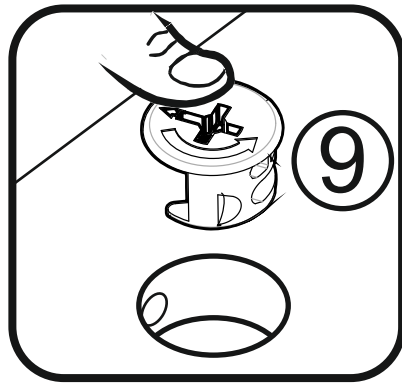


L10 567x500mm

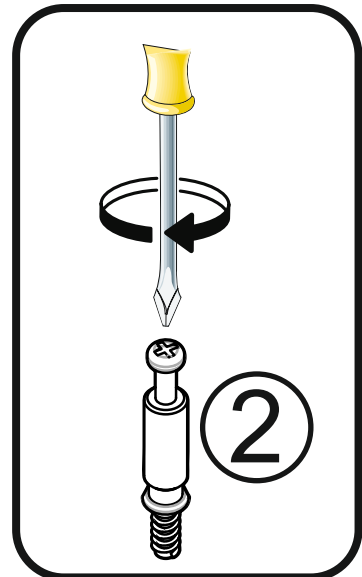
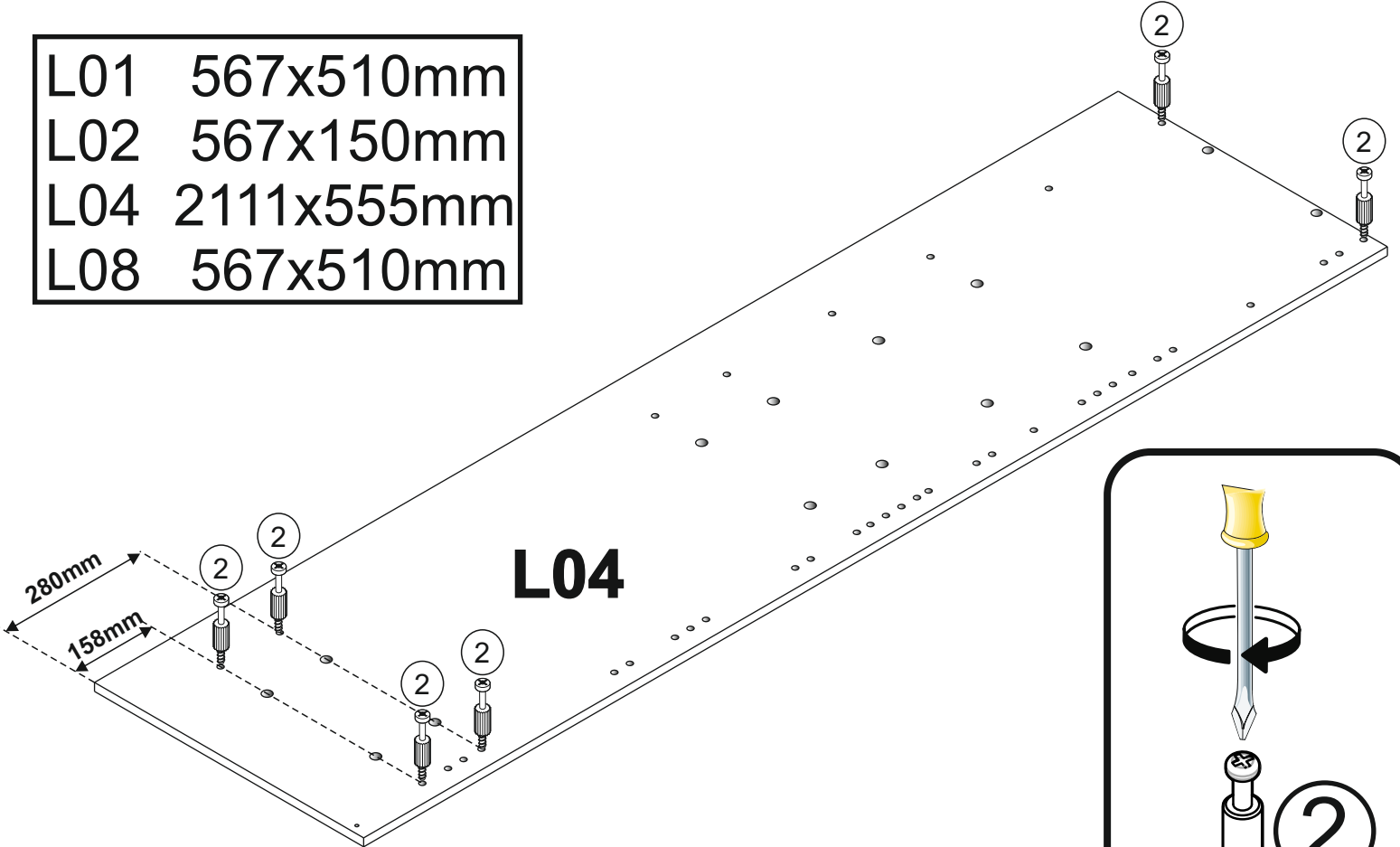


# 1

**OPTION 5**

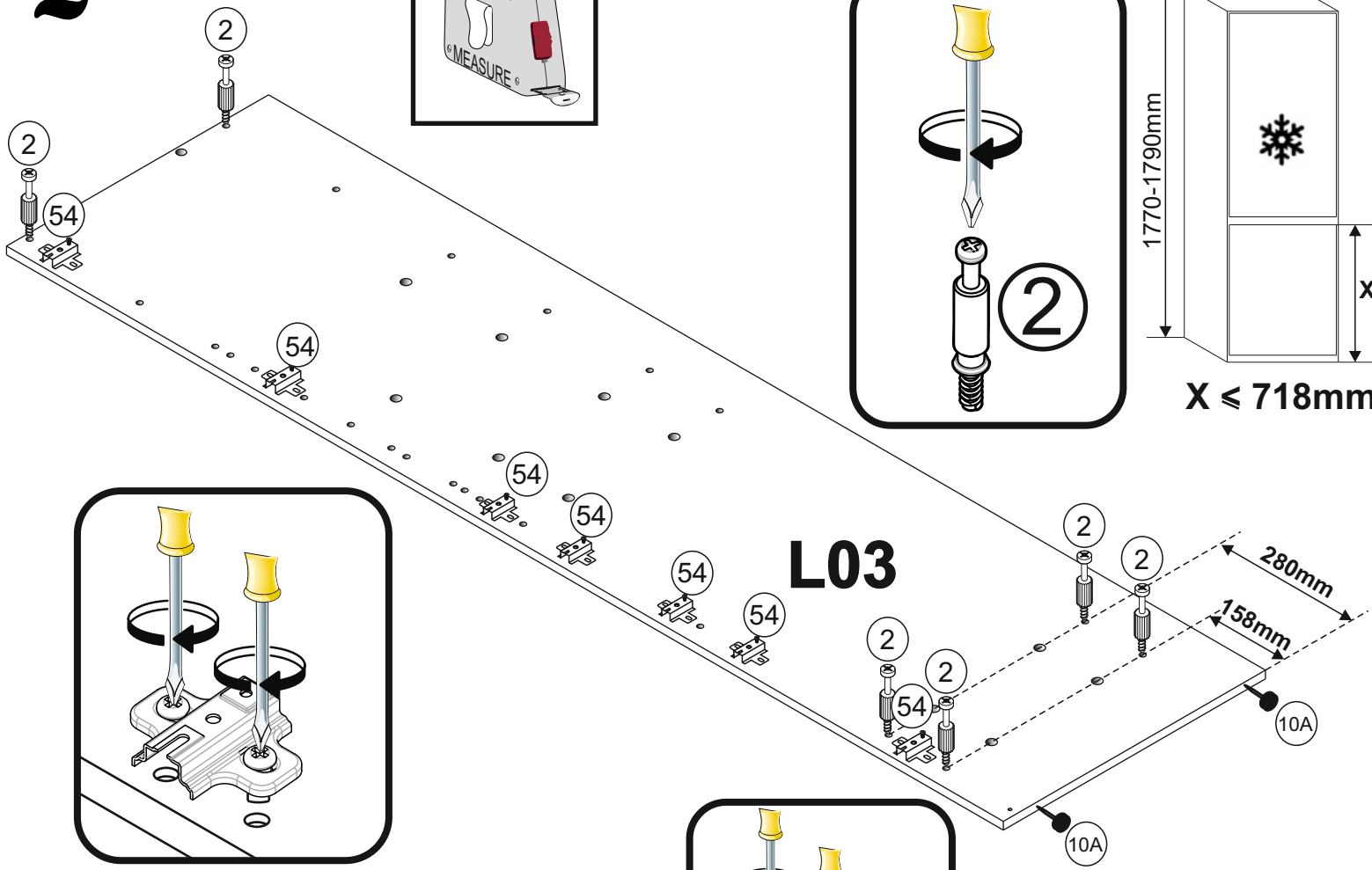
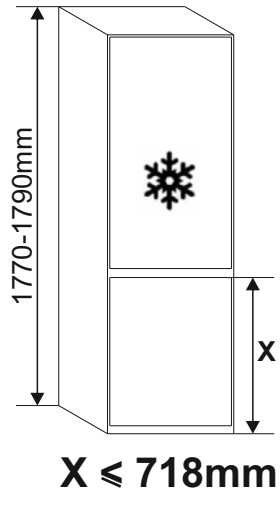
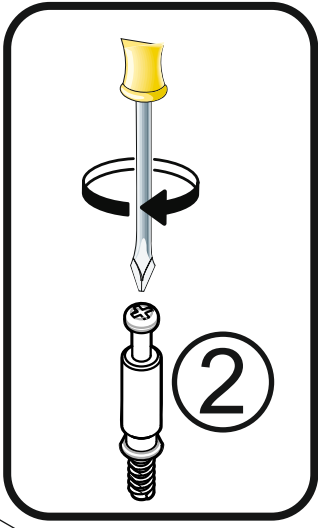
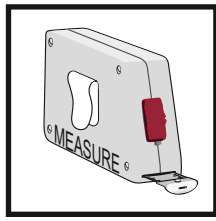


L01	567x510mm
L02	567x150mm
L04	2111x555mm
L08	567x510mm

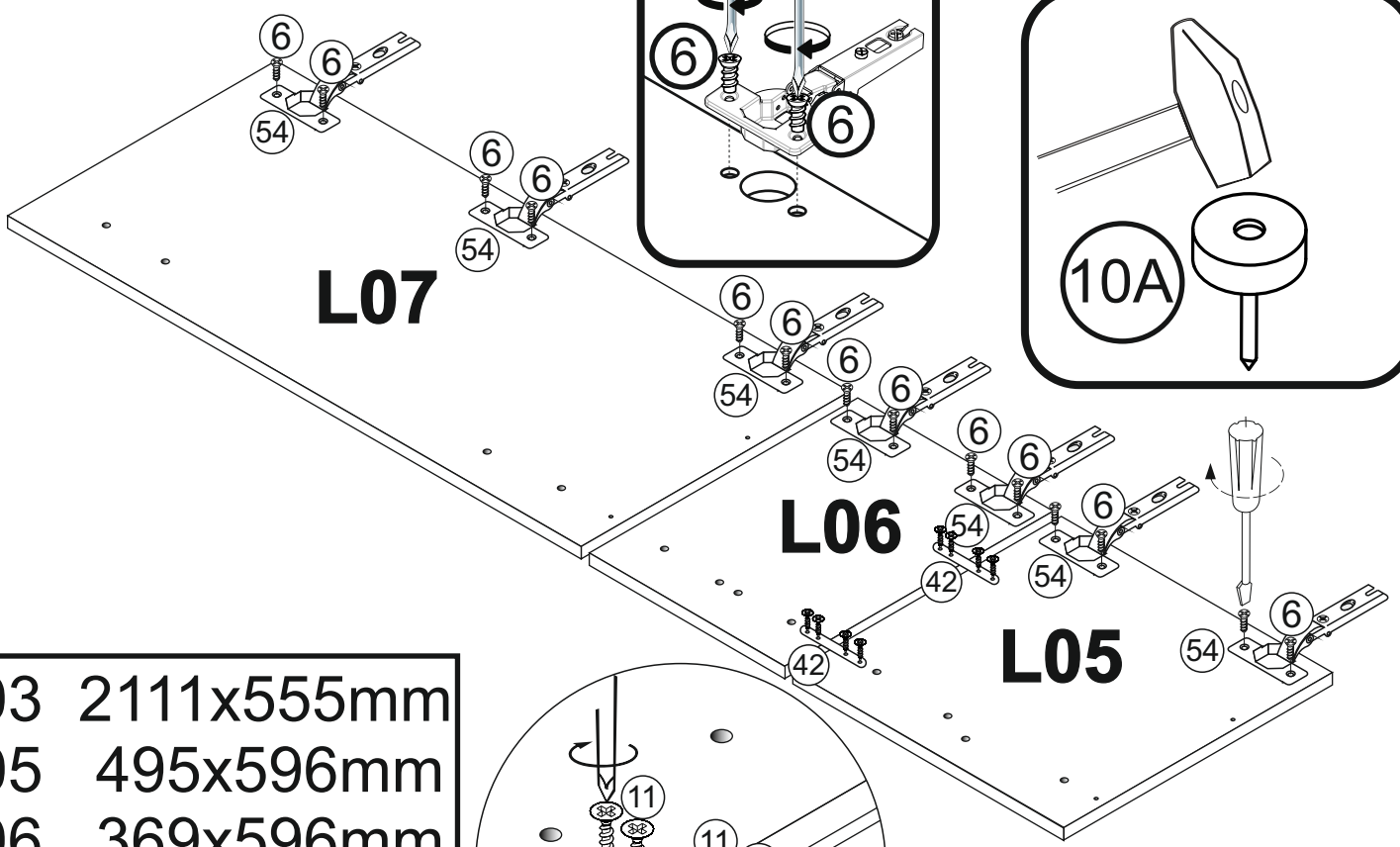
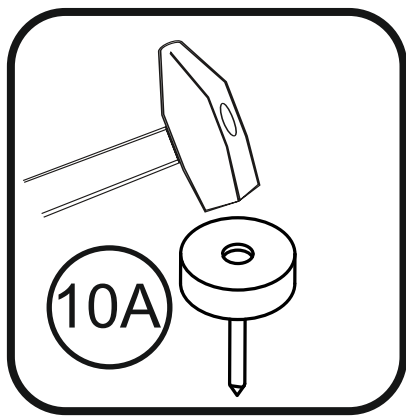
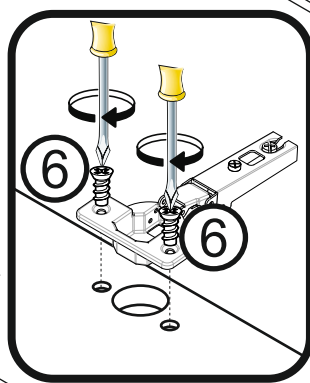
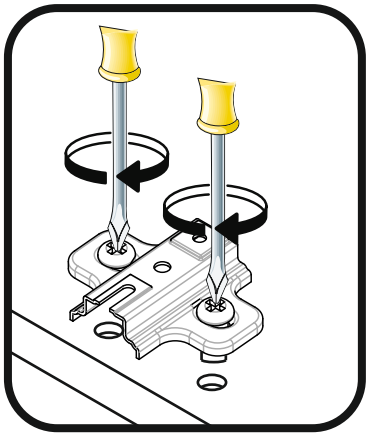


# 2

### OPTION 5



## L03

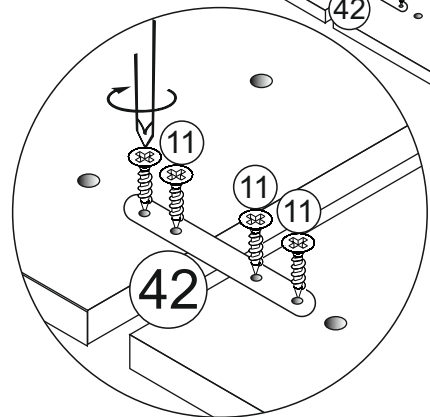


## L07

## L06

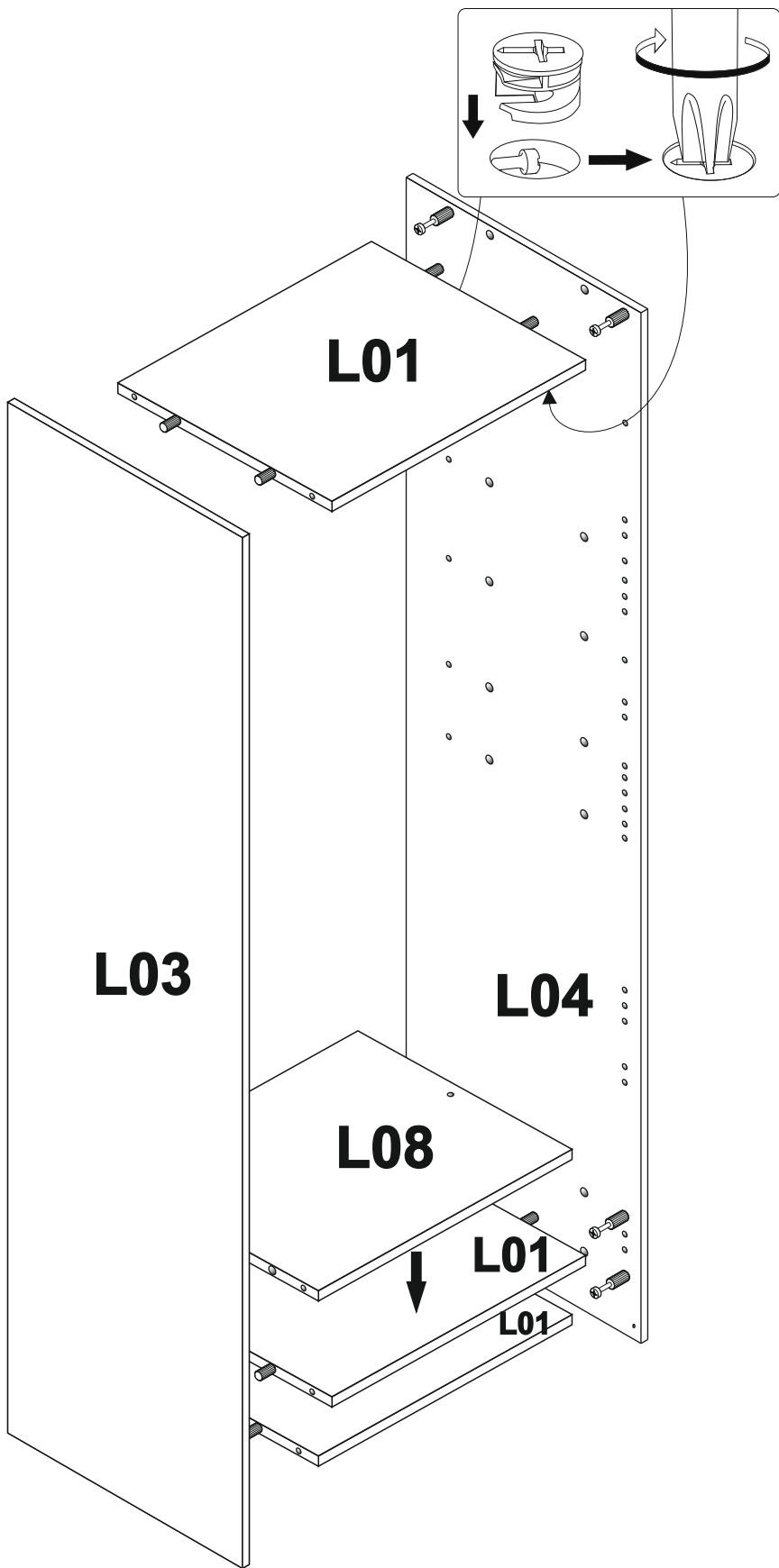
## L05

- L03 2111x555mm
- L05 495x596mm
- L06 369x596mm
- L07 1086x596mm

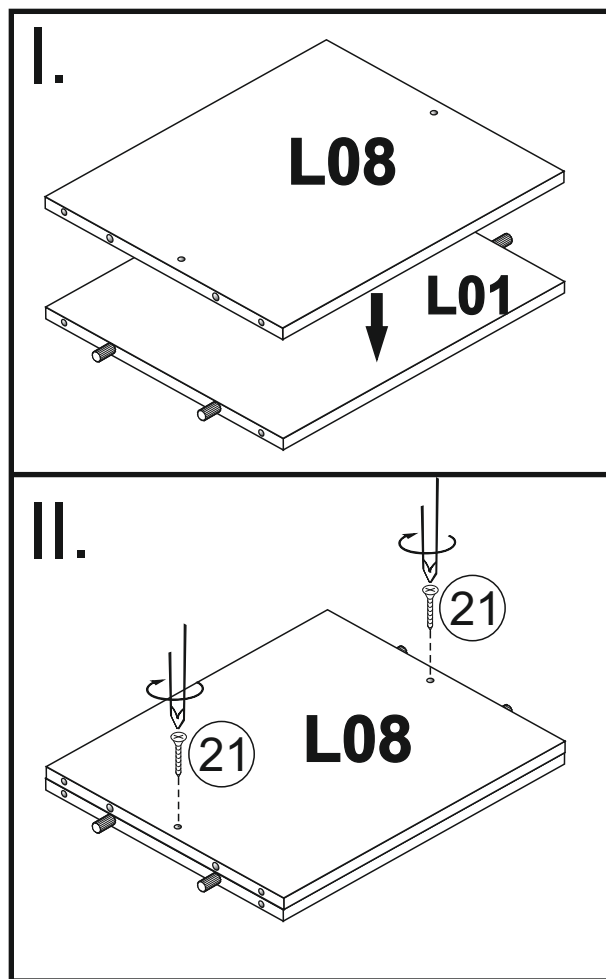
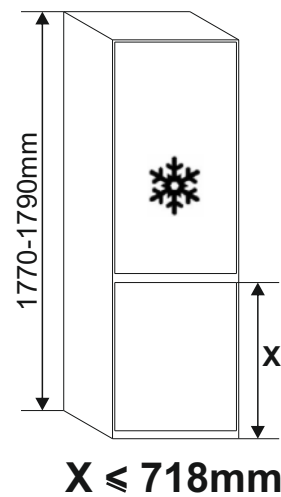




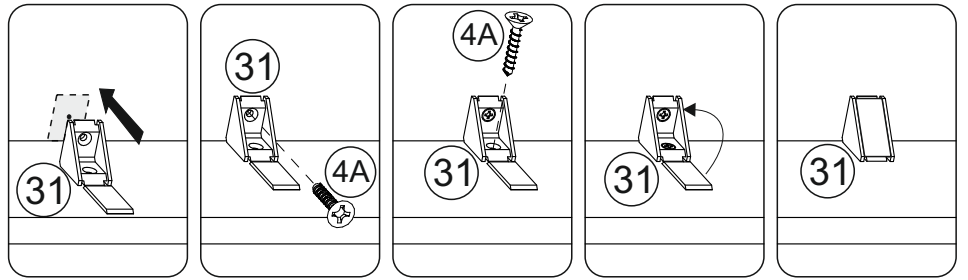
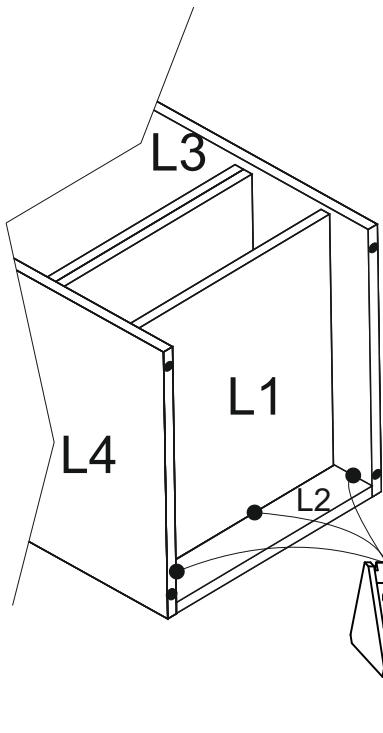
# 3



## OPTION 5

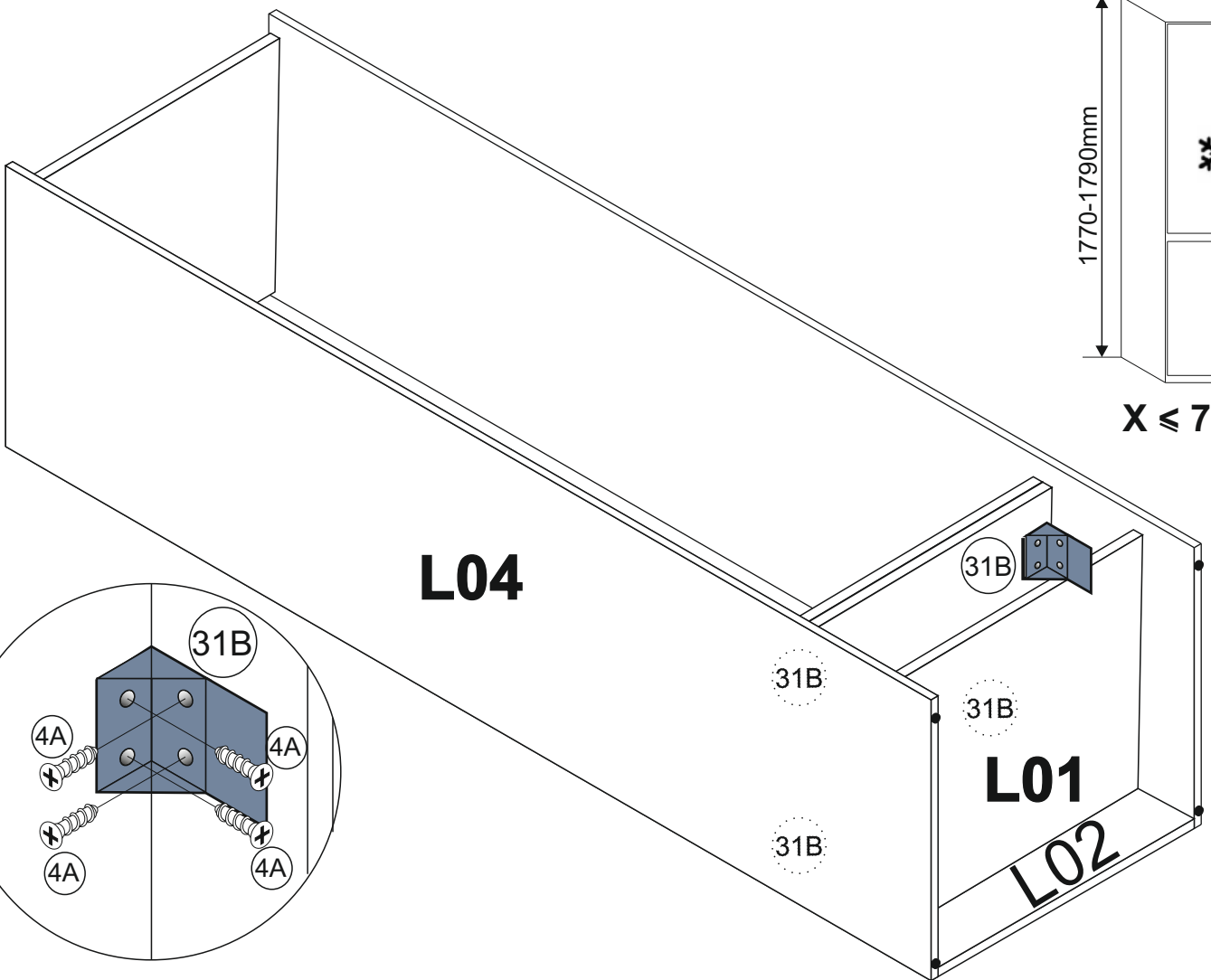


4

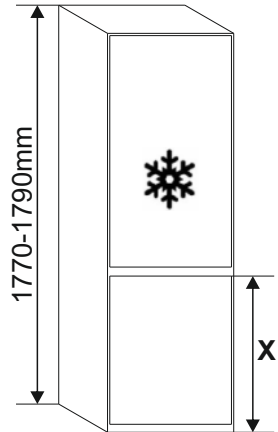


31 x3

5



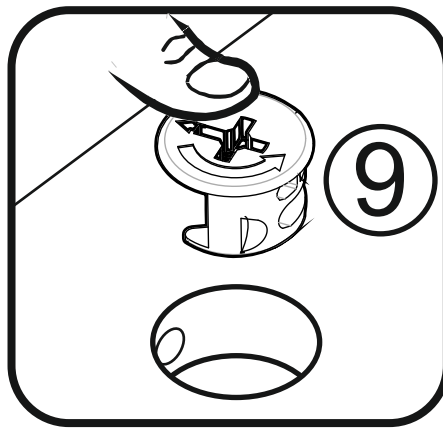
OPTION 5



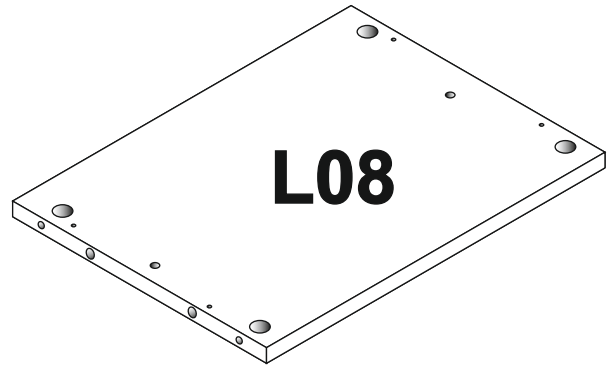
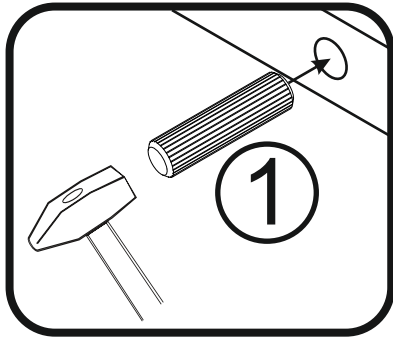
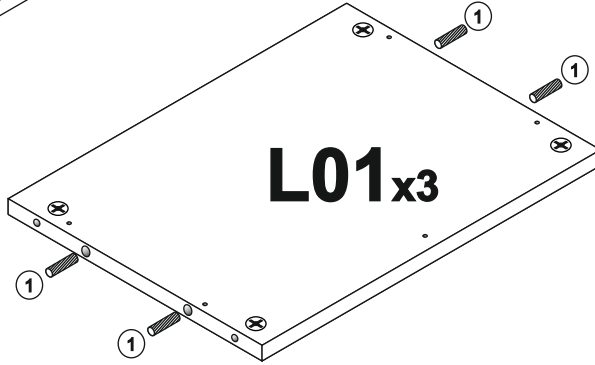
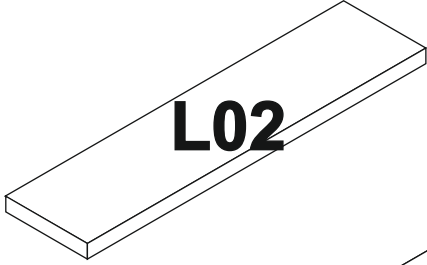
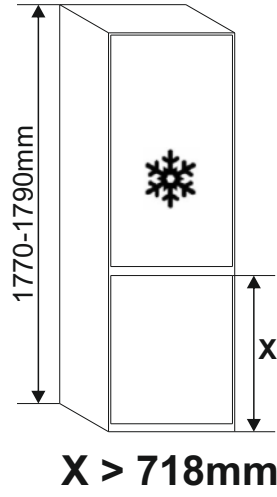
X ≤ 718mm



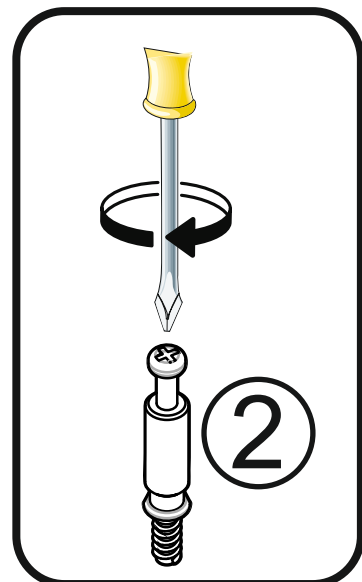
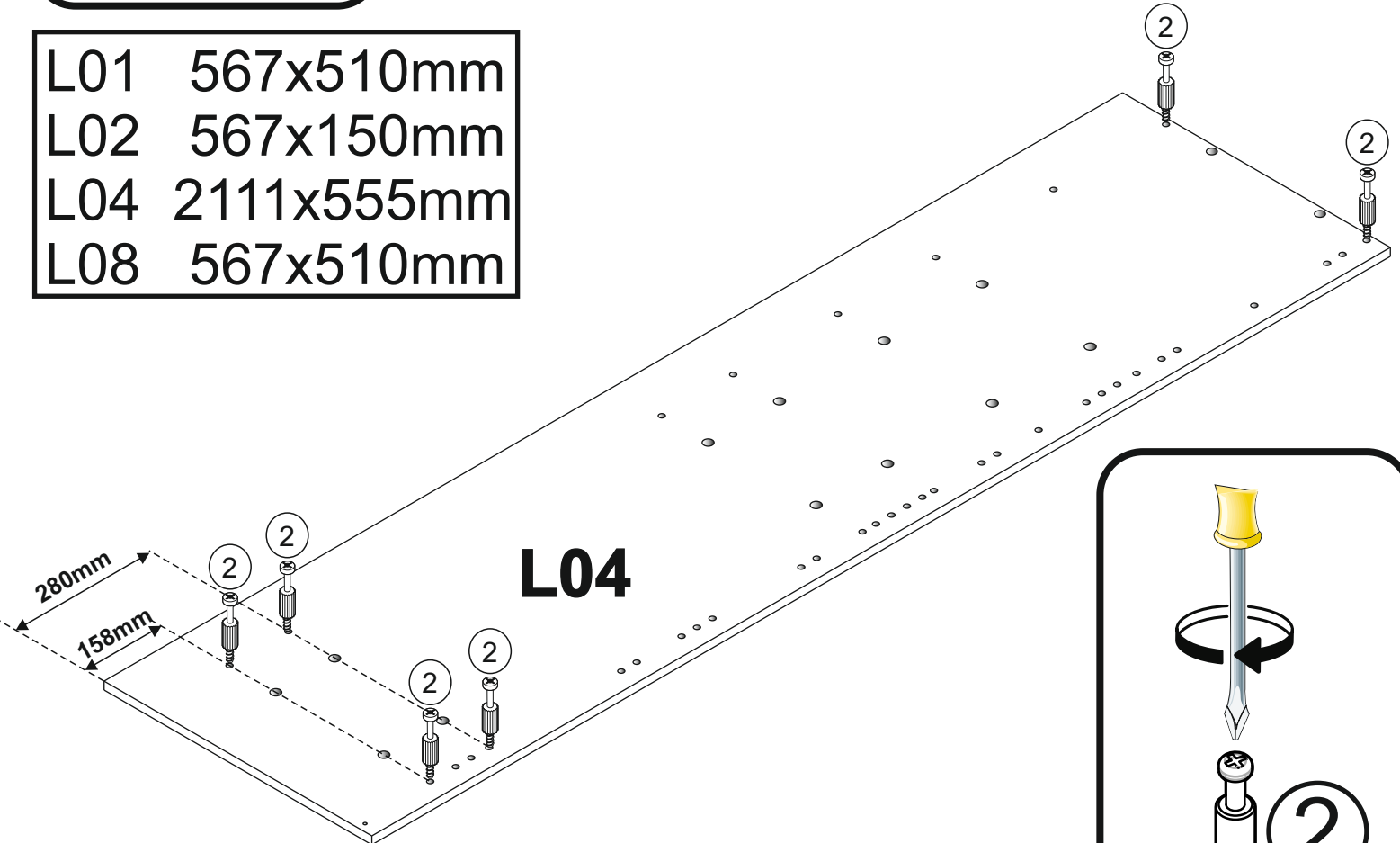
# 1



**OPTION 6**

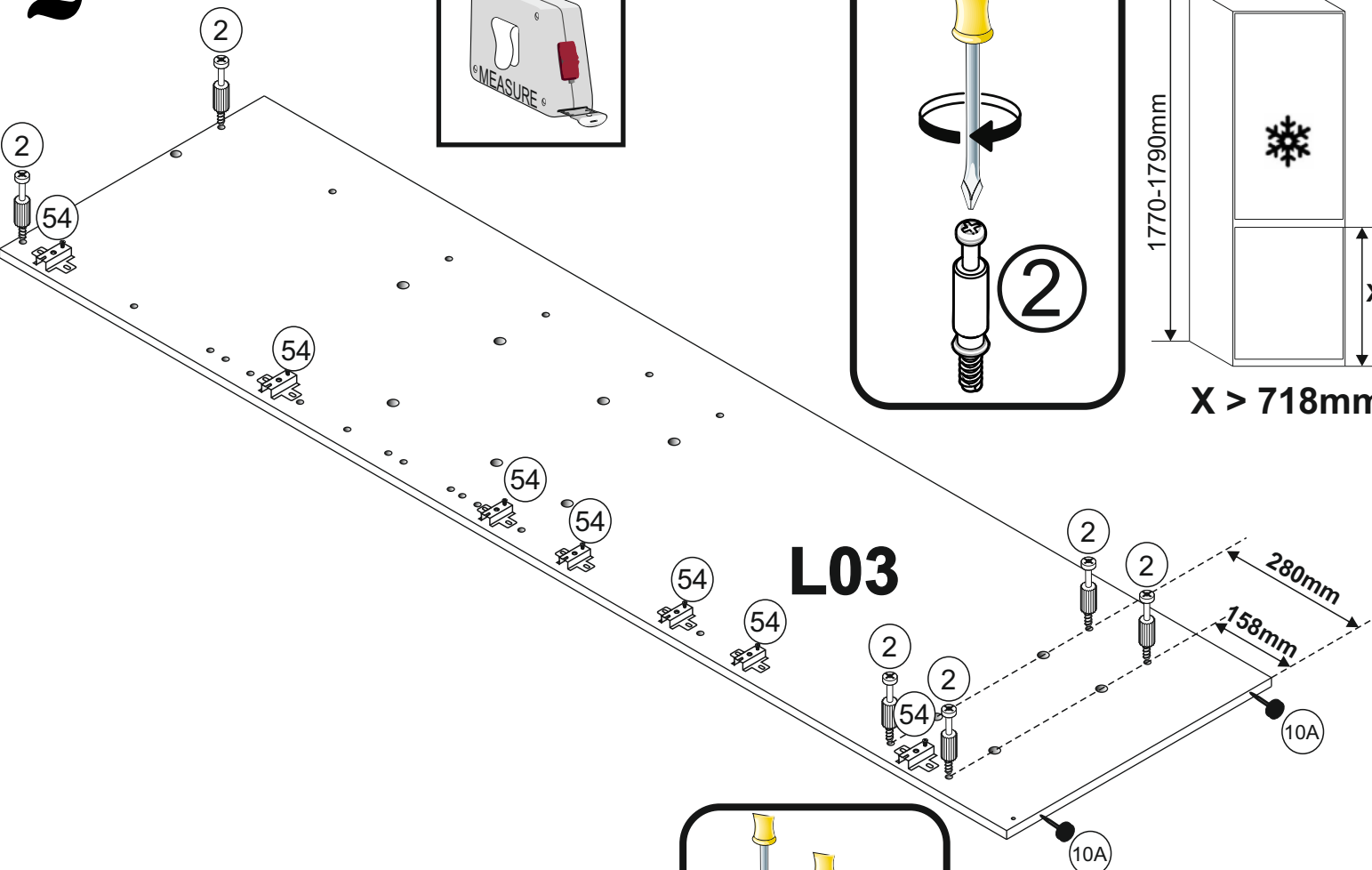
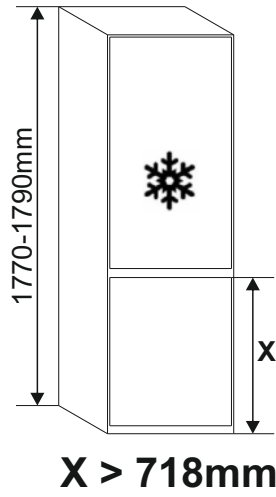
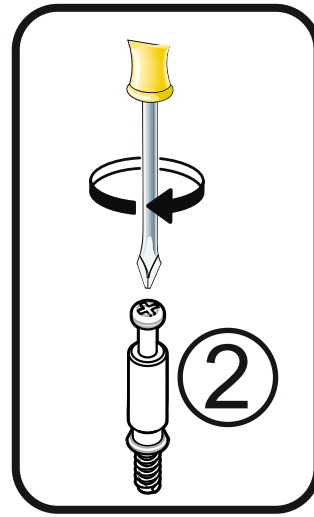
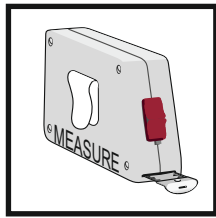


L01	567x510mm
L02	567x150mm
L04	2111x555mm
L08	567x510mm

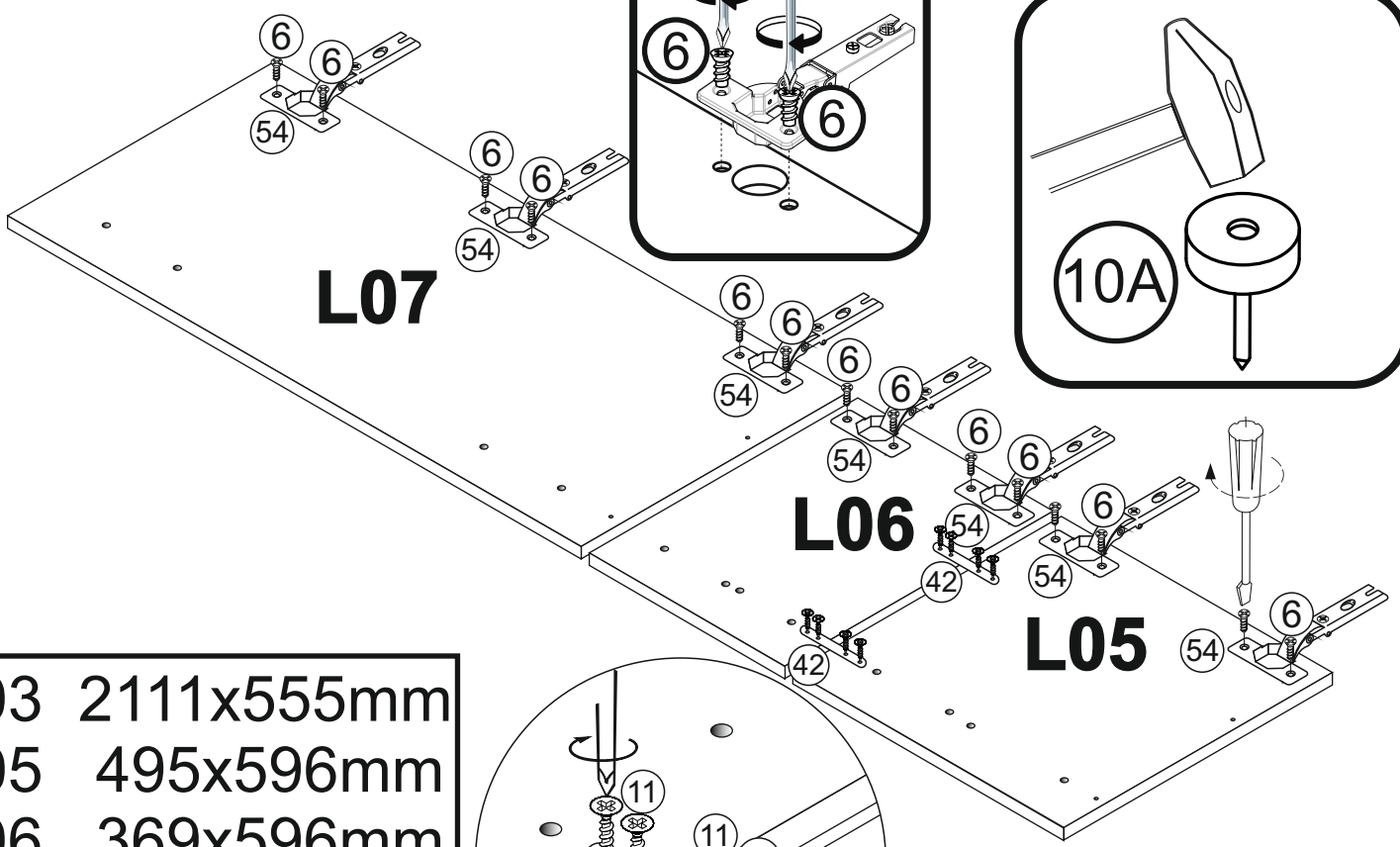
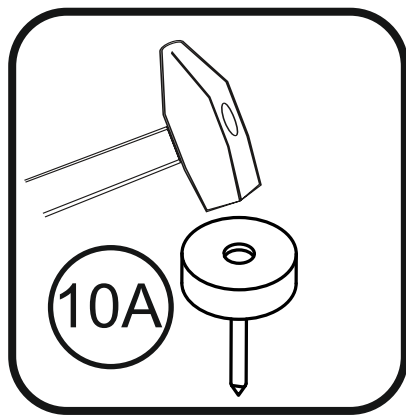
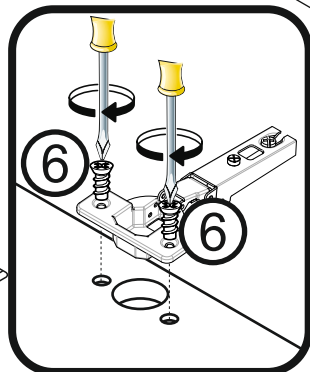


# 2

## OPTION 6



### L03

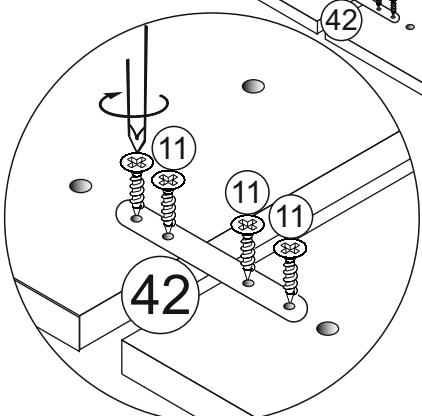


### L07

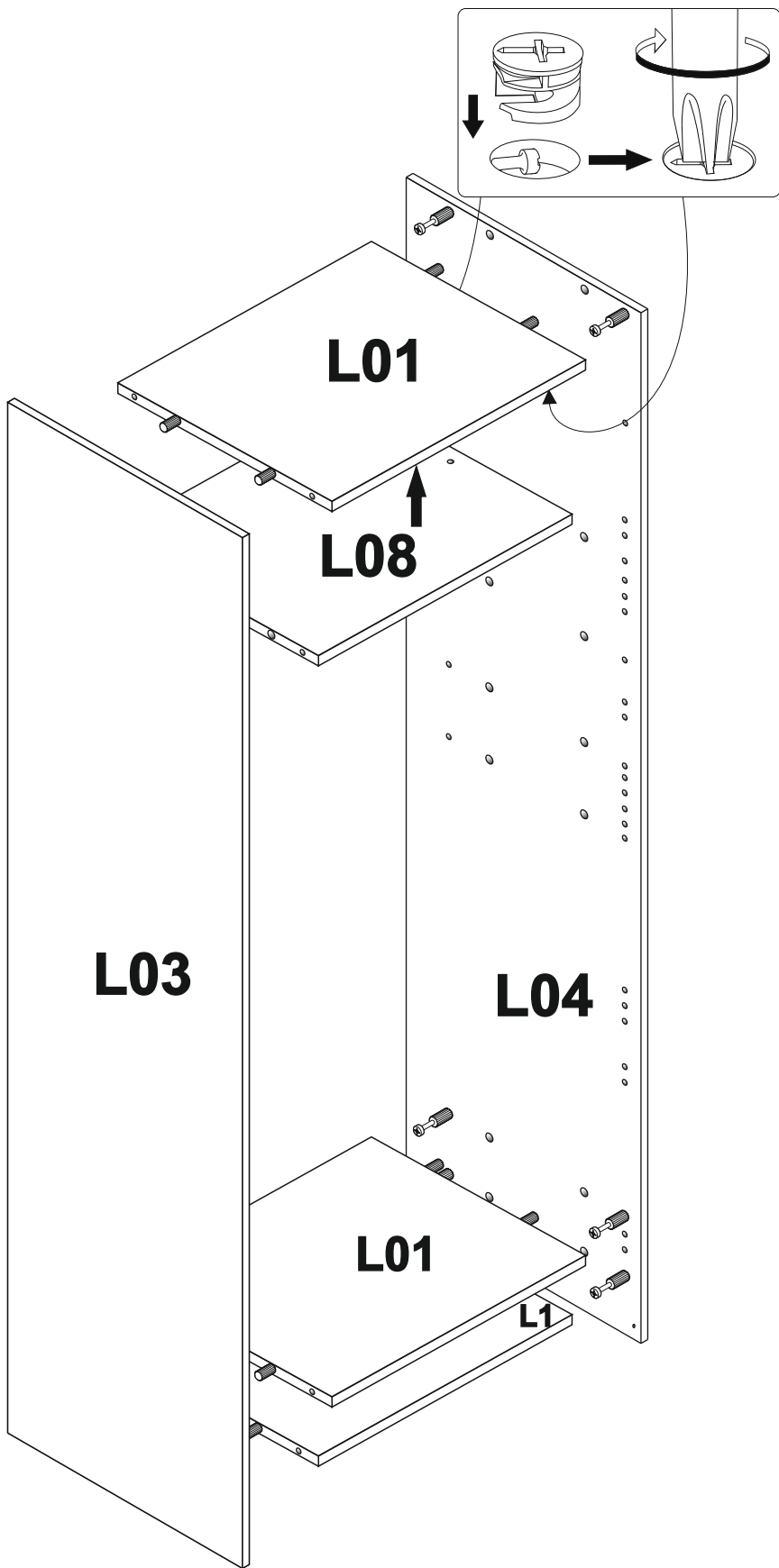
### L06

### L05

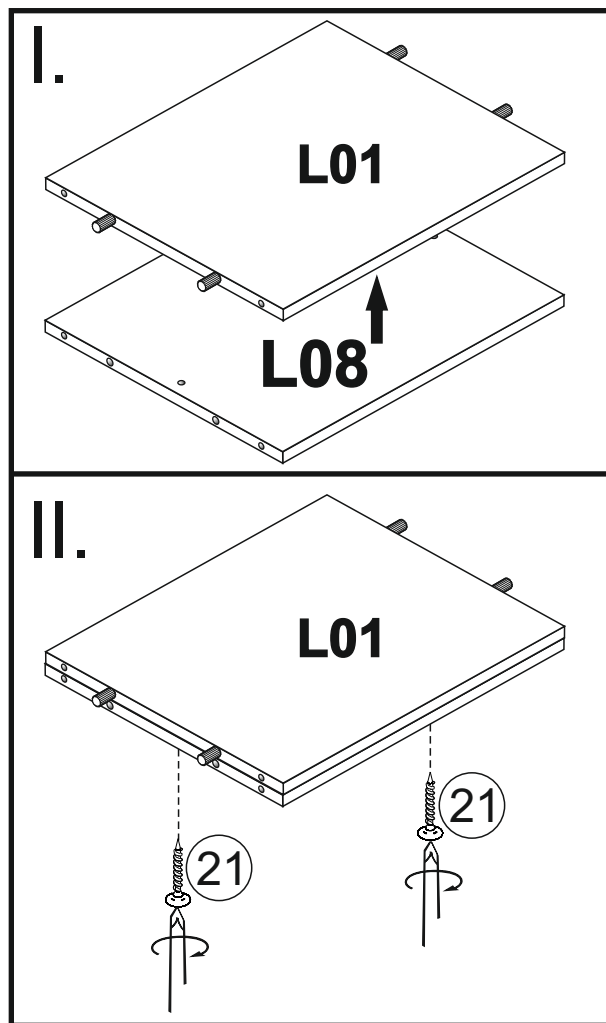
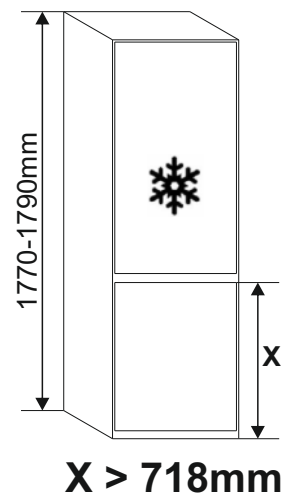
L03	2111x555mm
L05	495x596mm
L06	369x596mm
L07	1086x596mm



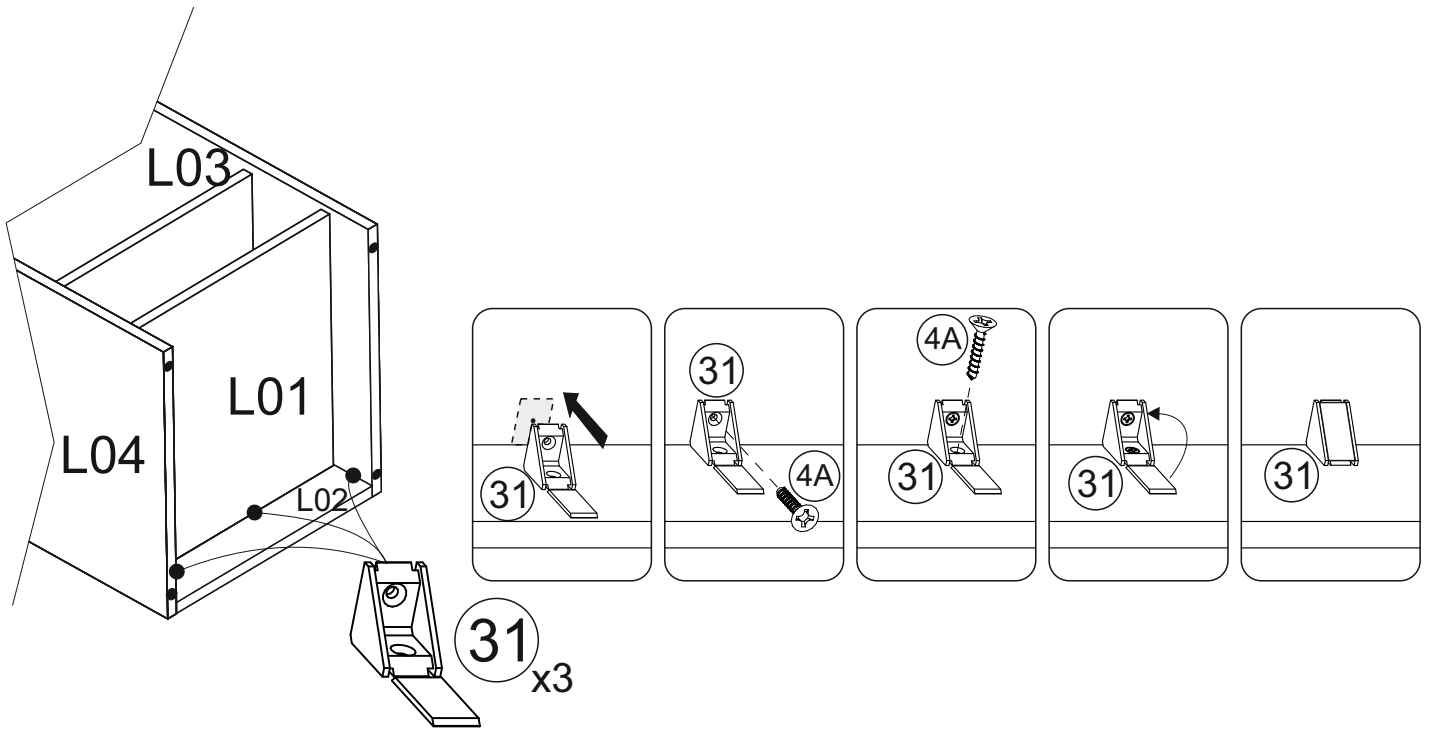
# 3



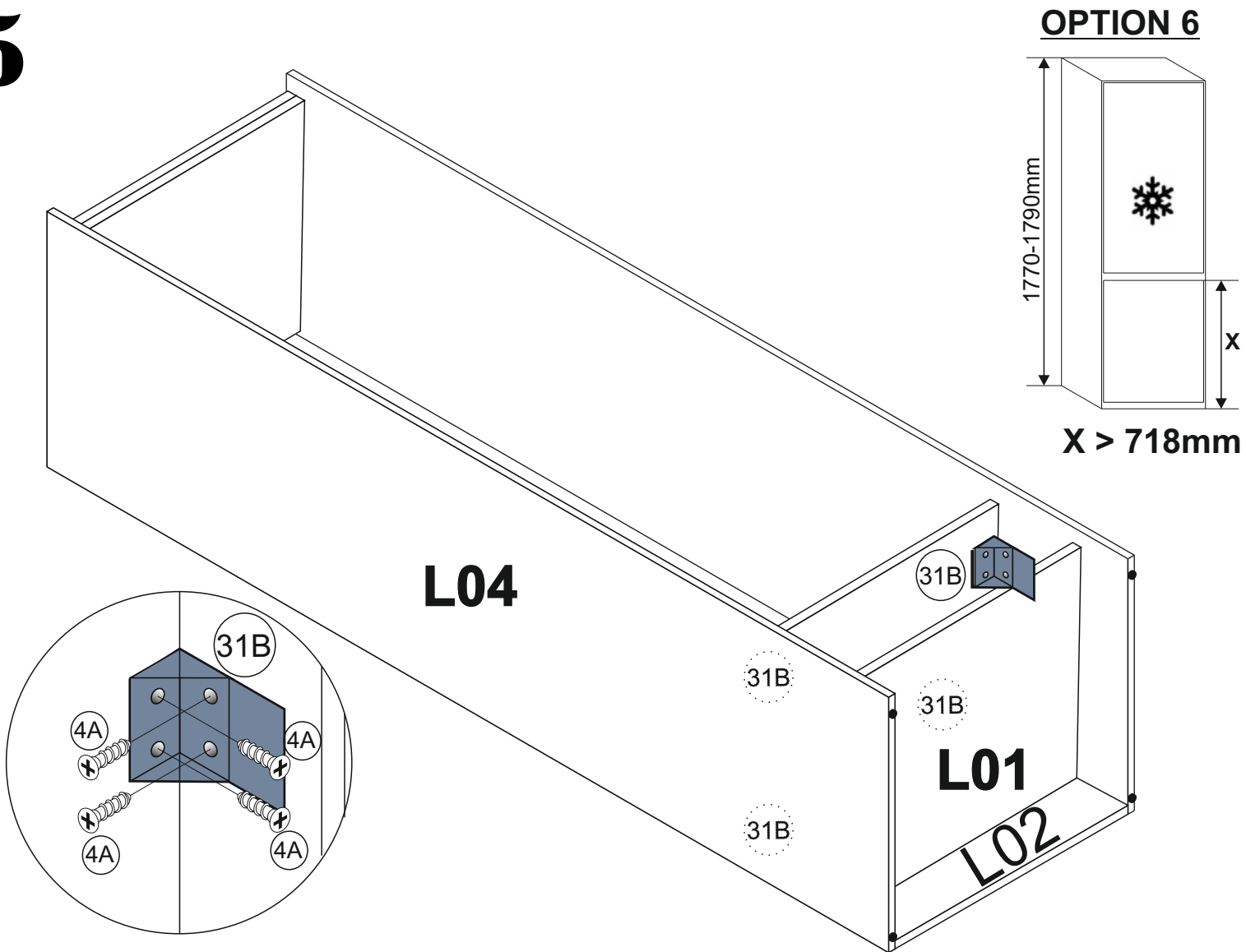
## OPTION 6



# 4

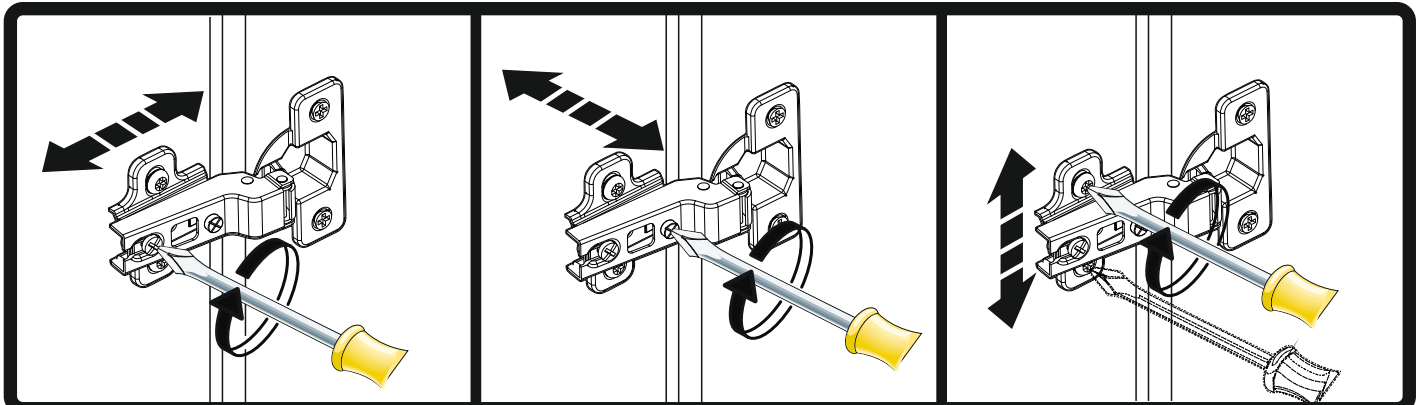
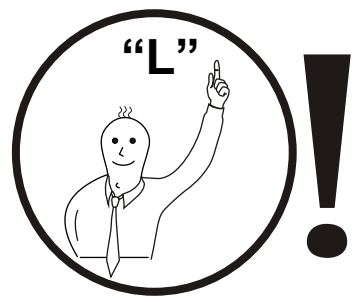
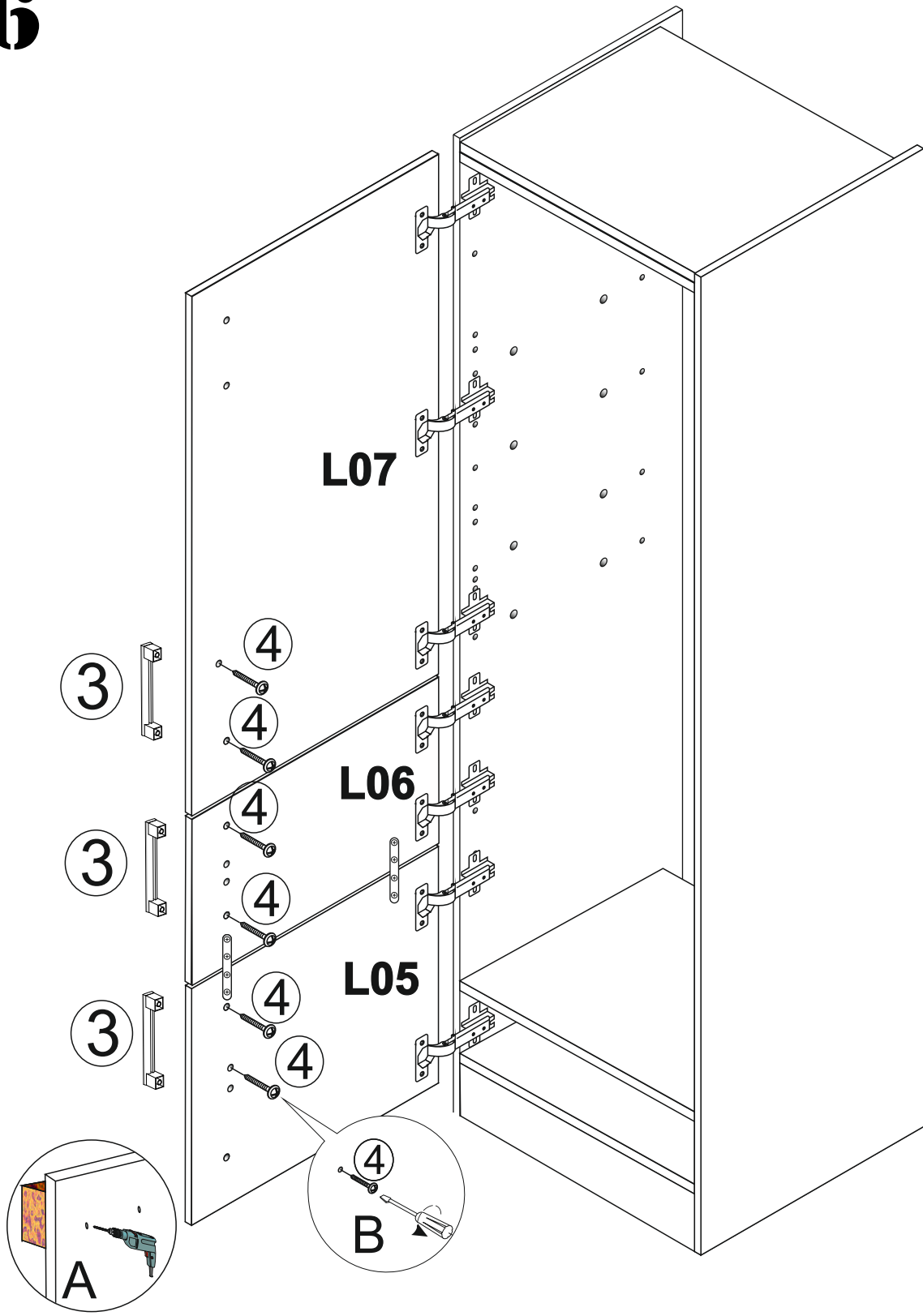
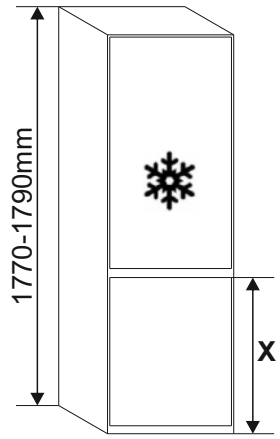


# 5

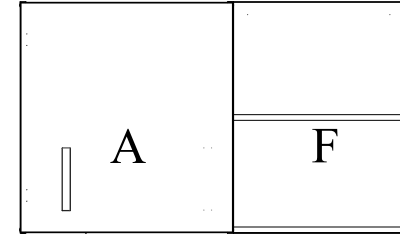
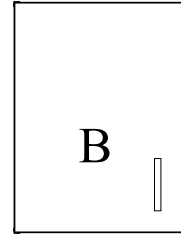


# 6

## OPTION 6



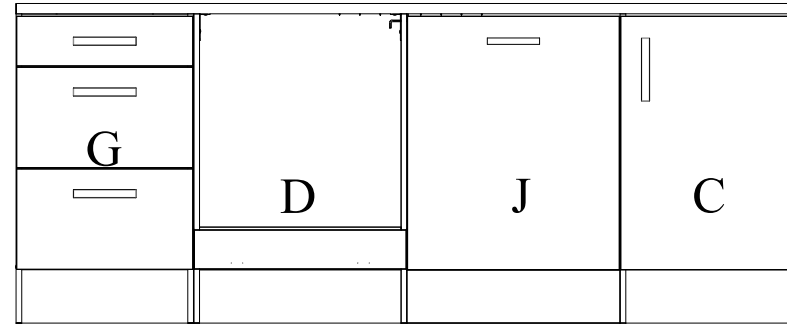




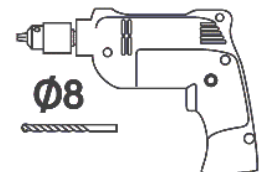
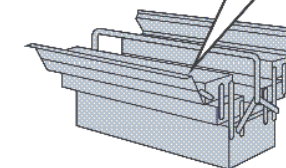
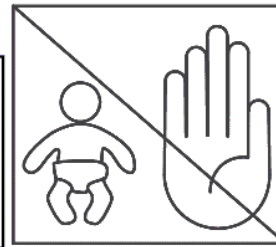
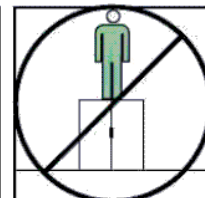
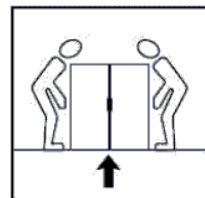
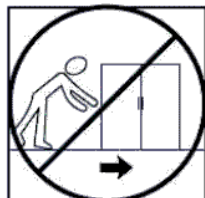
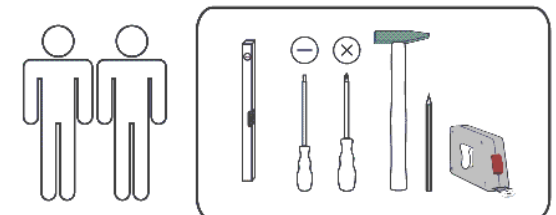
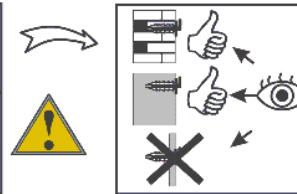
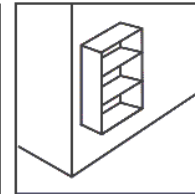
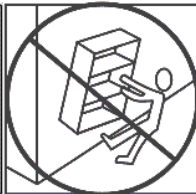
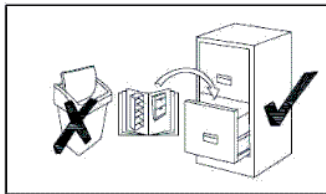
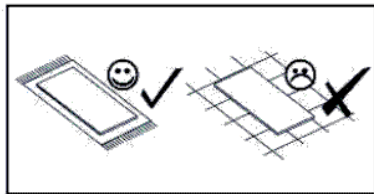
<http://www.bega-gruppe.de>

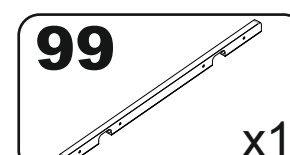
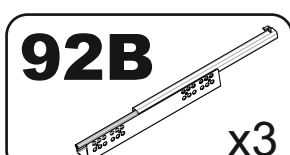
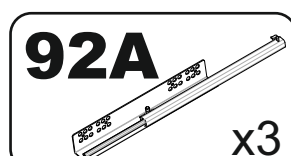
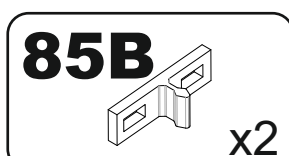
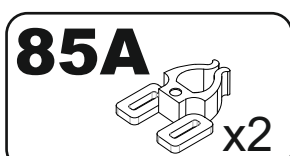
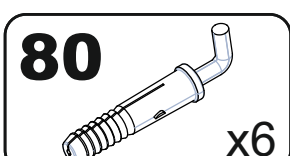
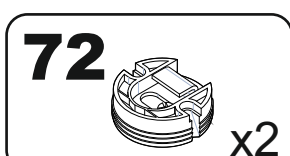
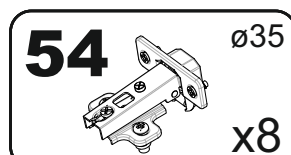
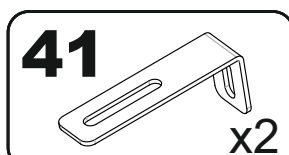
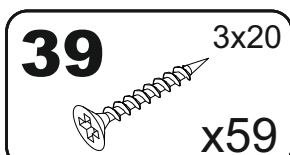
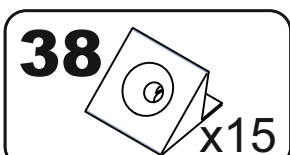
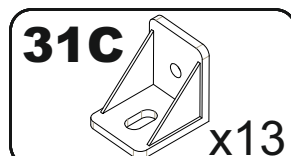
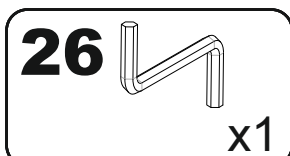
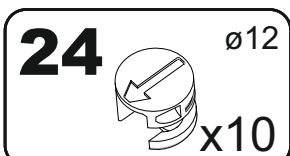
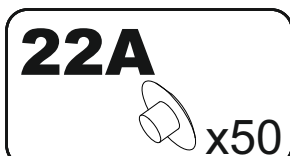
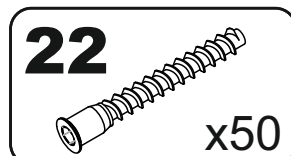
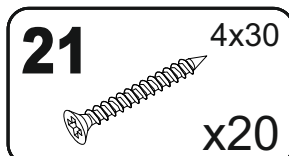
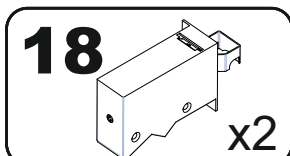
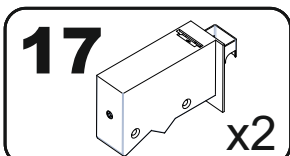
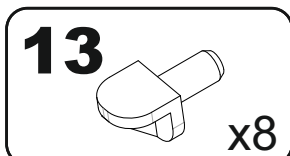
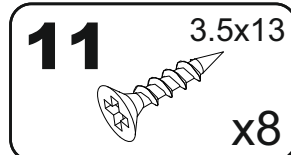
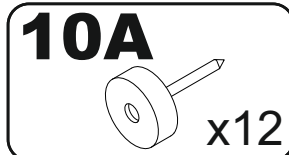
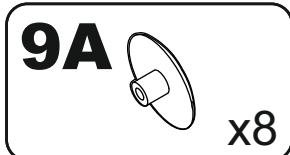
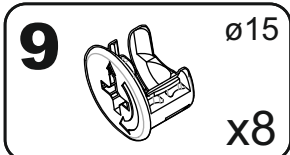
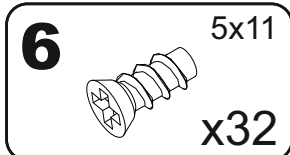
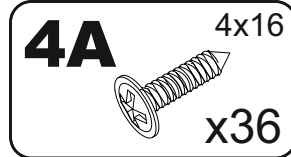
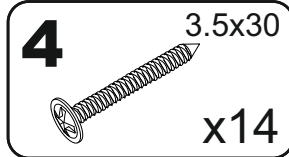
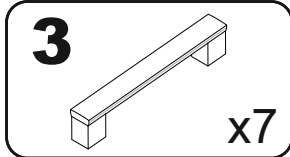
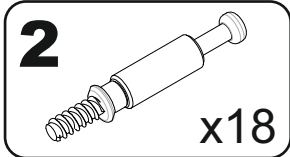
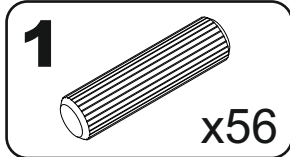
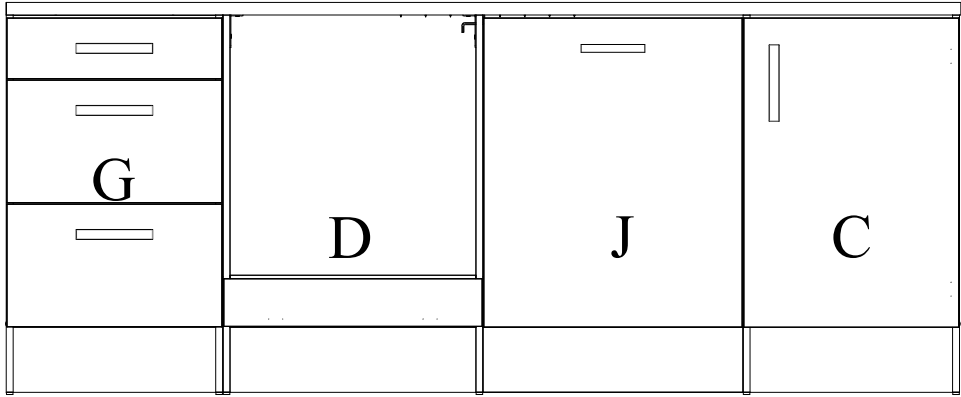
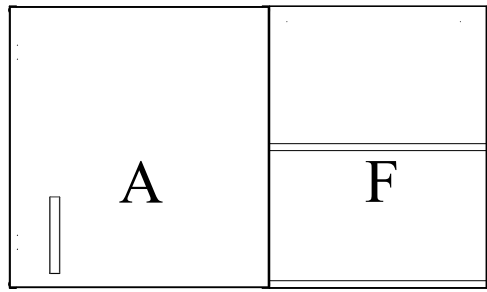
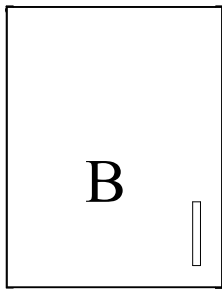
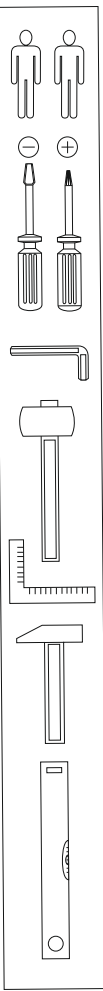


BG	Bulgarisch	български
CS	Tschechisch	čeština
DA	Dänisch	Dansk
DE	Deutsch	Deutsch
ET	Estonisch	Eesti
EL	Griechisch	ελληνικά
EN	English	English
ES	Spanisch	español
FR	Französisch	Français
FI	Finnisch	suomalainen
HR	Kroatisch	hrvatski
HU	Ungarisch	magyar
IT	Italienisch	italiano
LV	Lettisch	Latvijas
LT	Litauisch	Lietuvos
NL	Niederländisch	Nederlands
PL	Polnisch	Polski
PT	Portugiesisch	português
RO	Rumänisch	român
SK	Slowakisch	slovenský
SL	Slowenisch	slovenščina
SV	Schwedisch	Svenska

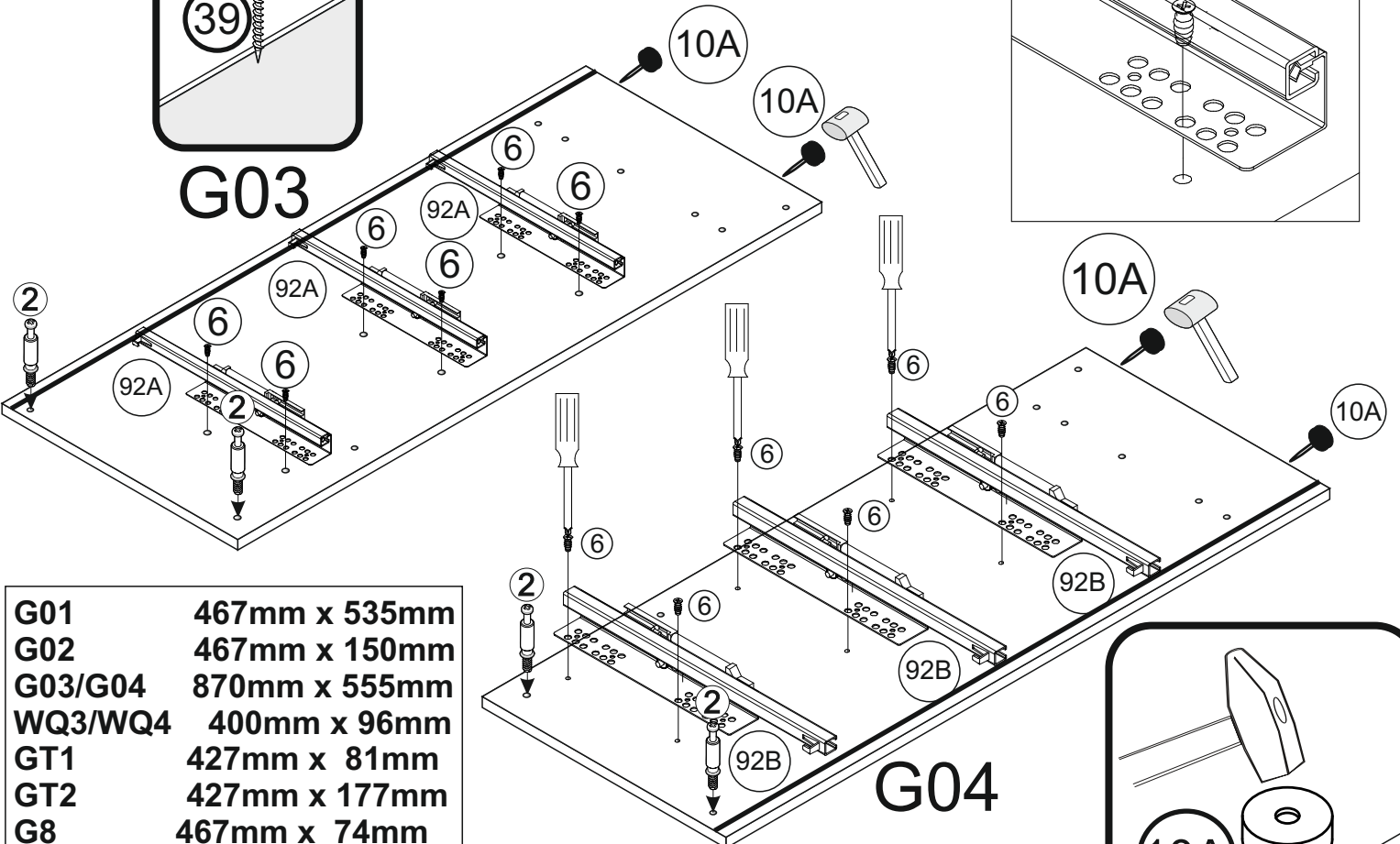
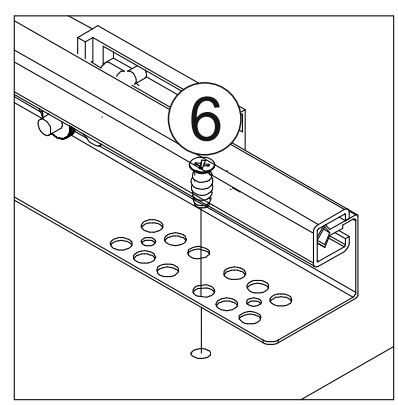
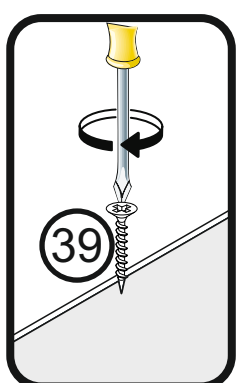
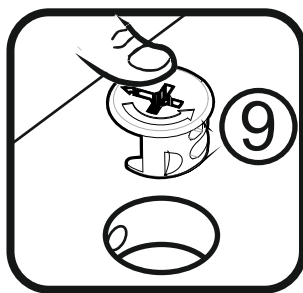
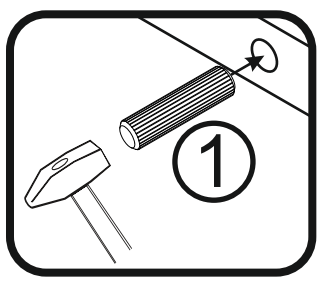
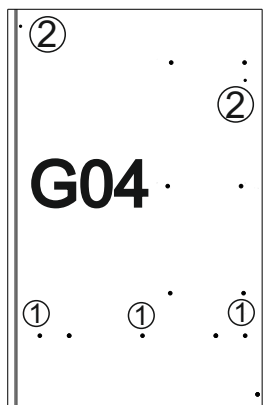
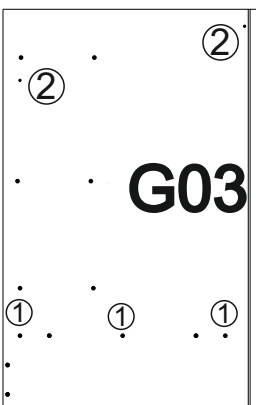
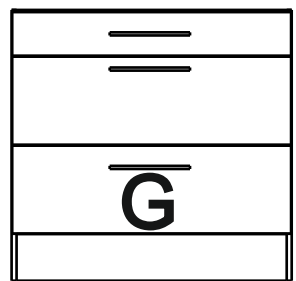


180 min

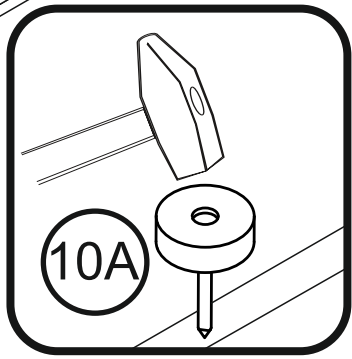




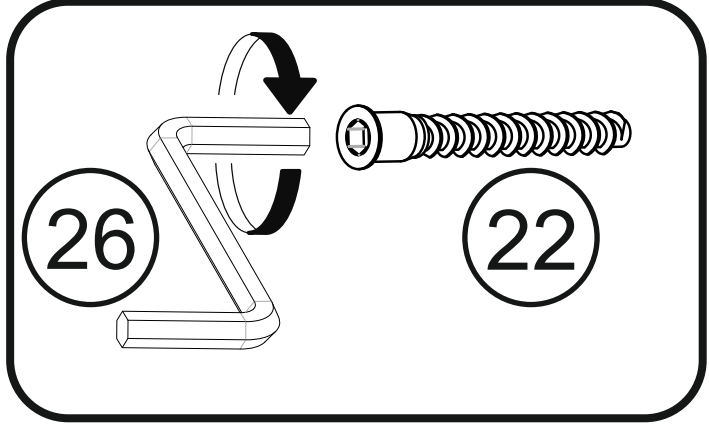
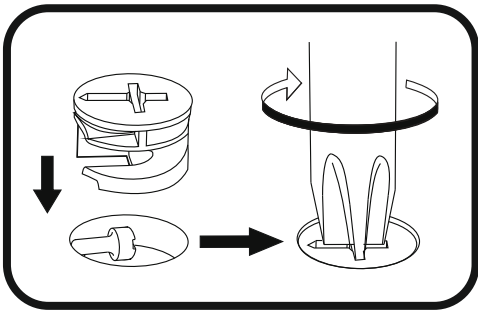
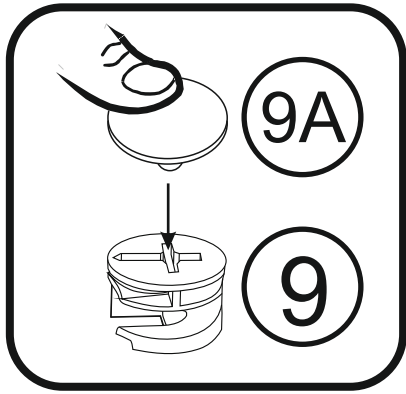
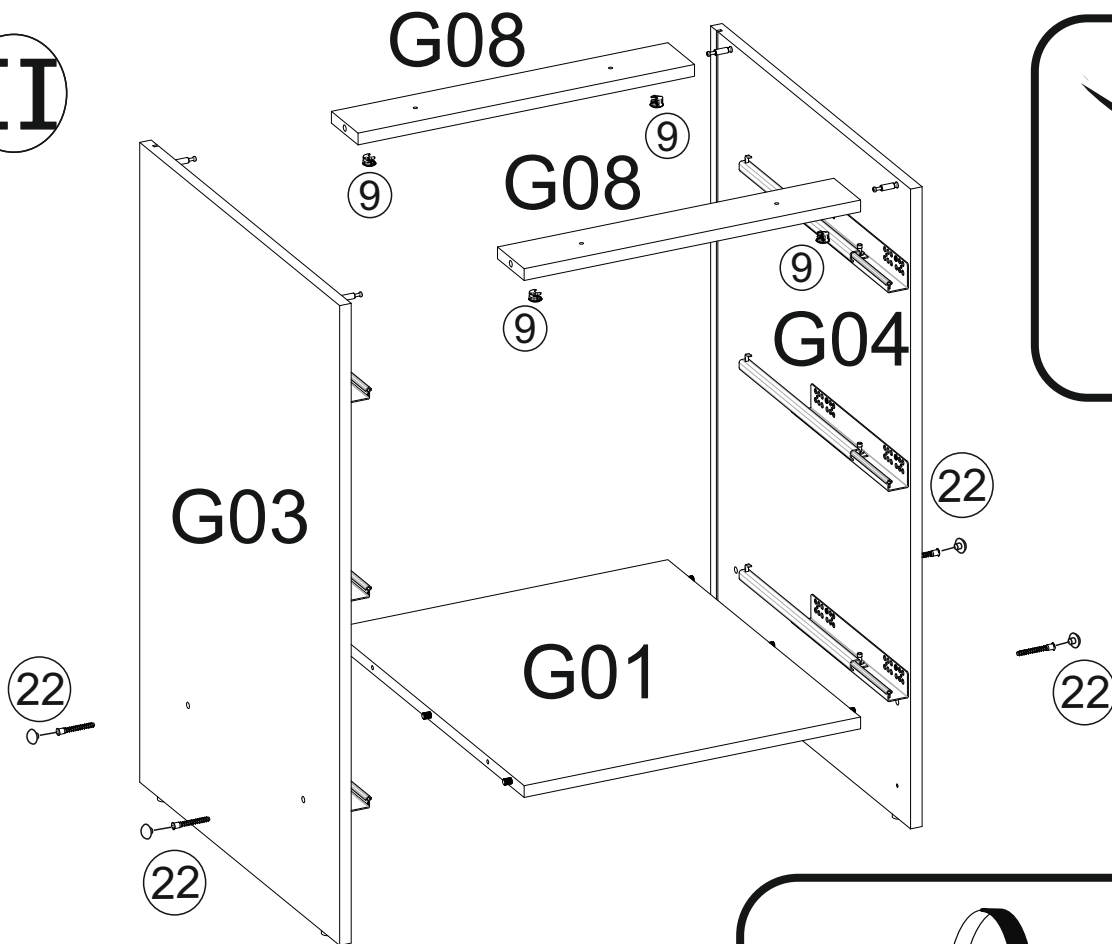
# I



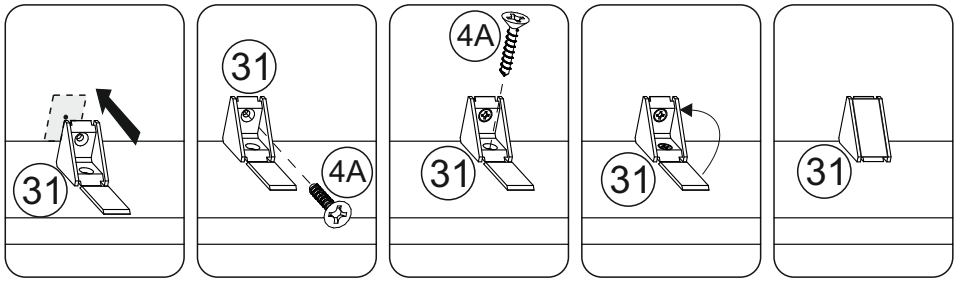
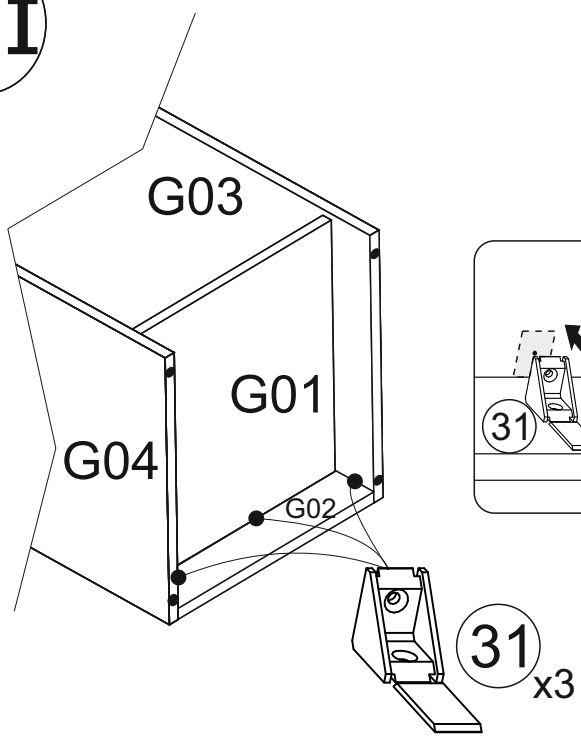
G01	467mm x 535mm
G02	467mm x 150mm
G03/G04	870mm x 555mm
WQ3/WQ4	400mm x 96mm
GT1	427mm x 81mm
GT2	427mm x 177mm
G8	467mm x 74mm



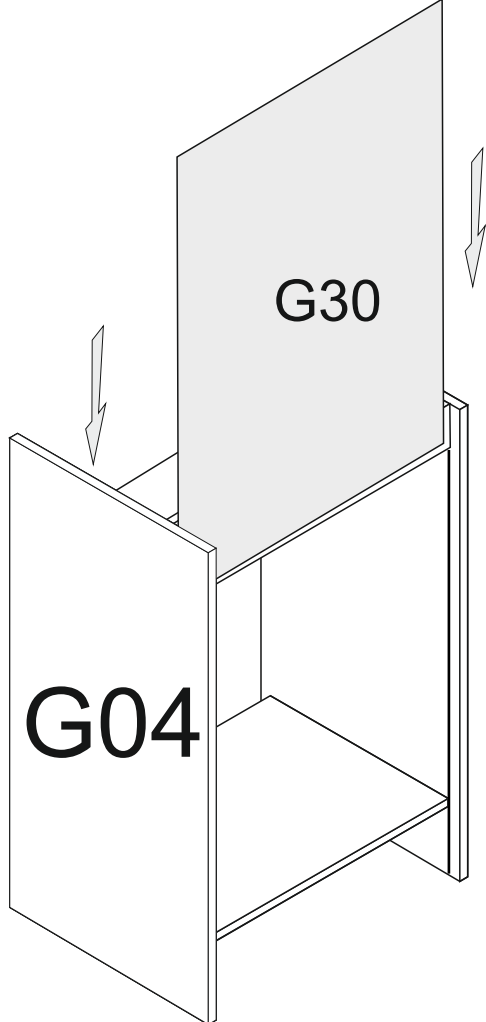
# II



# III

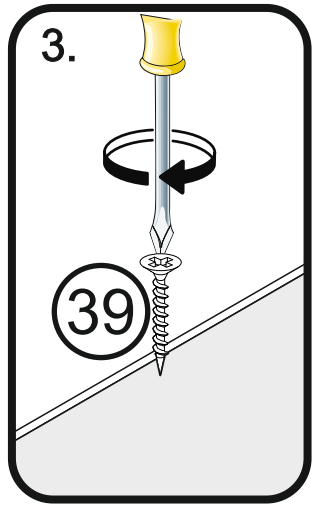
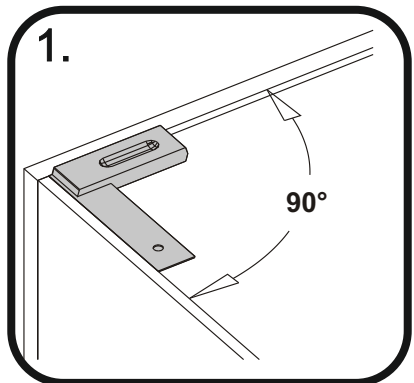
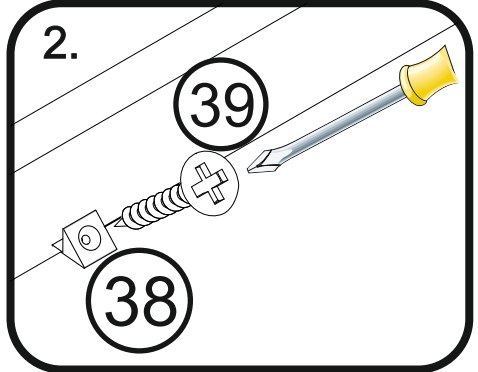
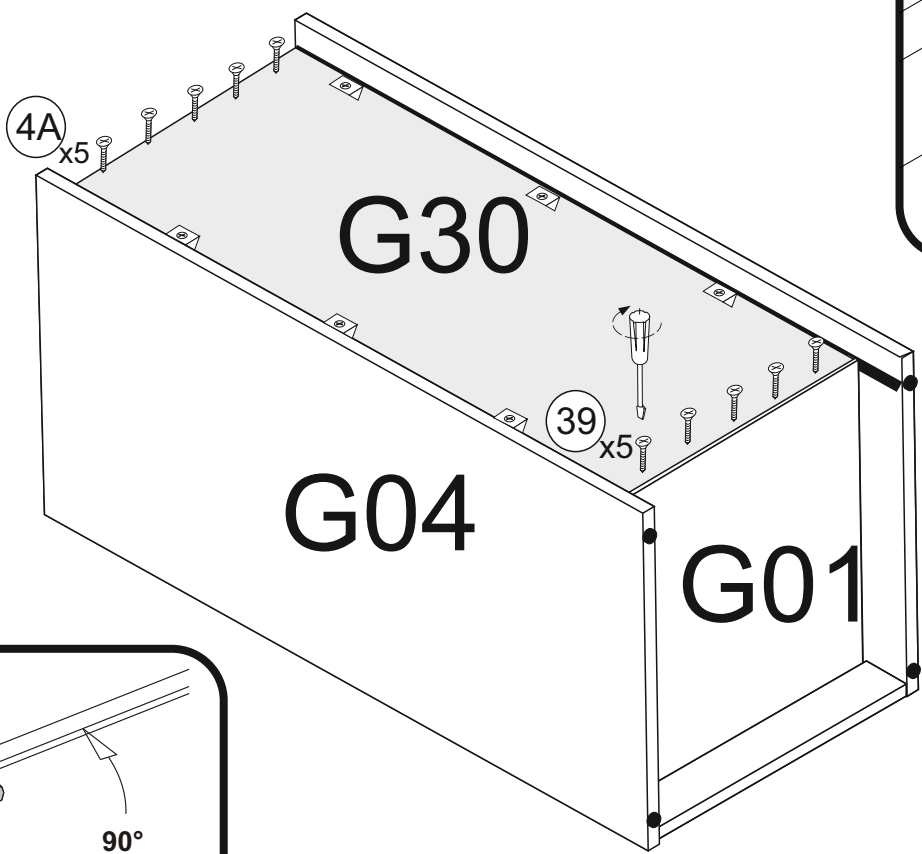


**IV**



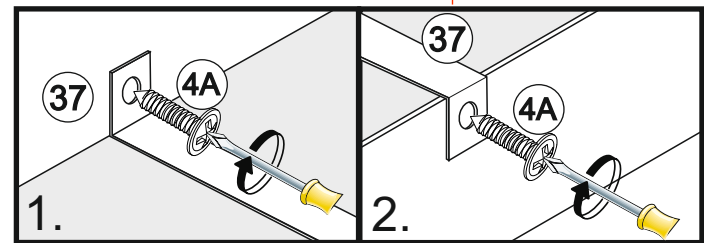
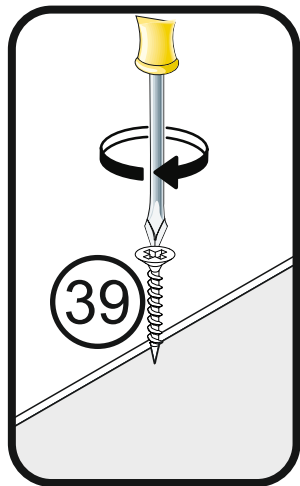
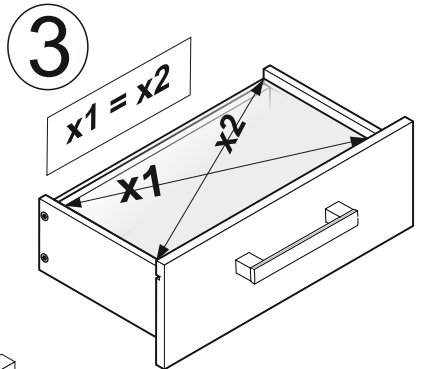
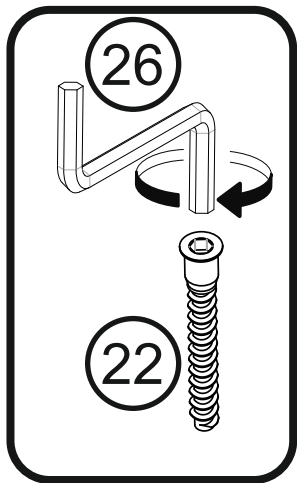
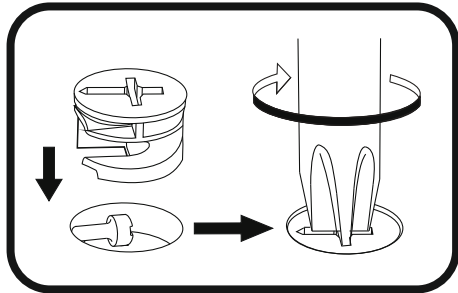
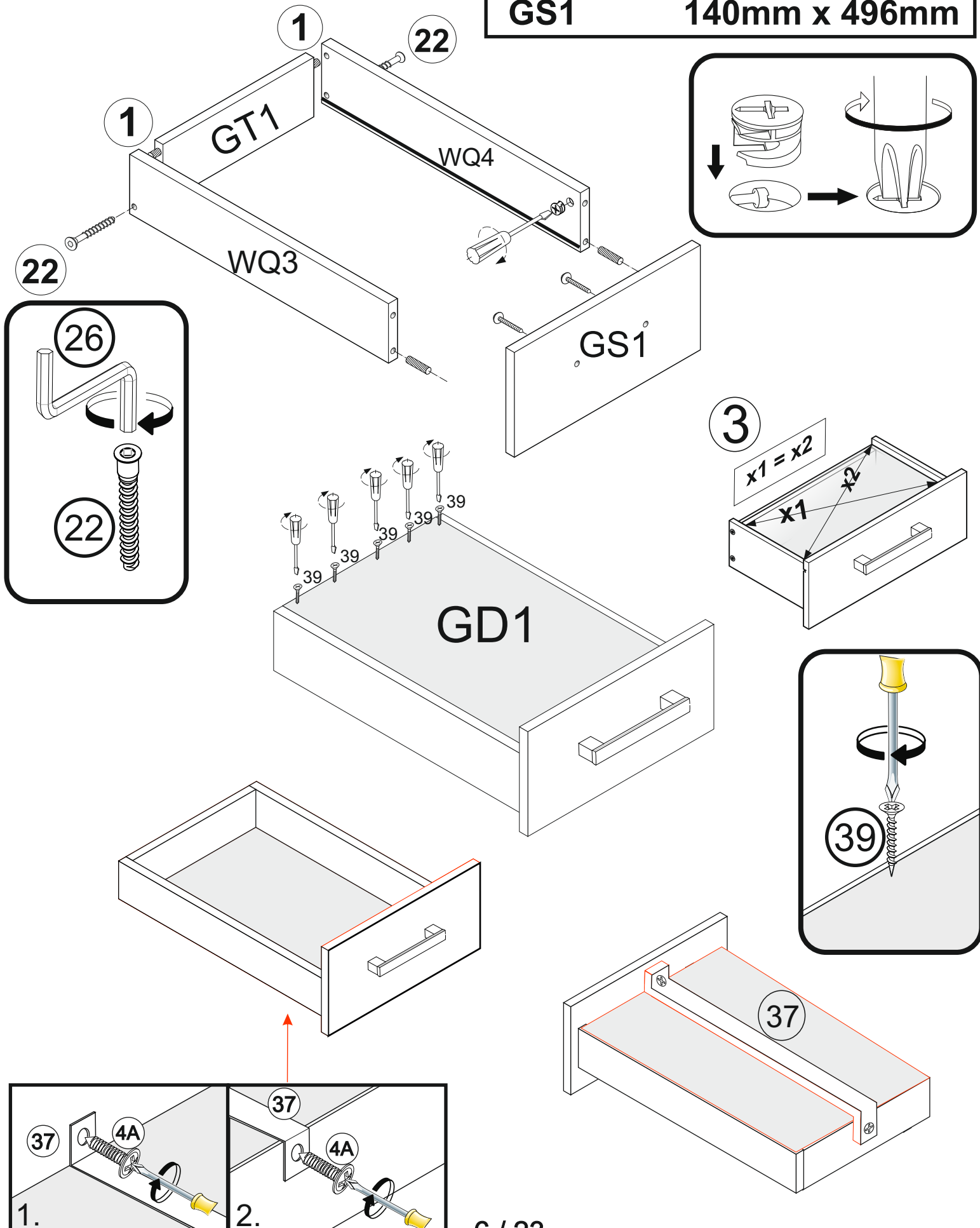
**G30 717mm x 477mm**

**V**



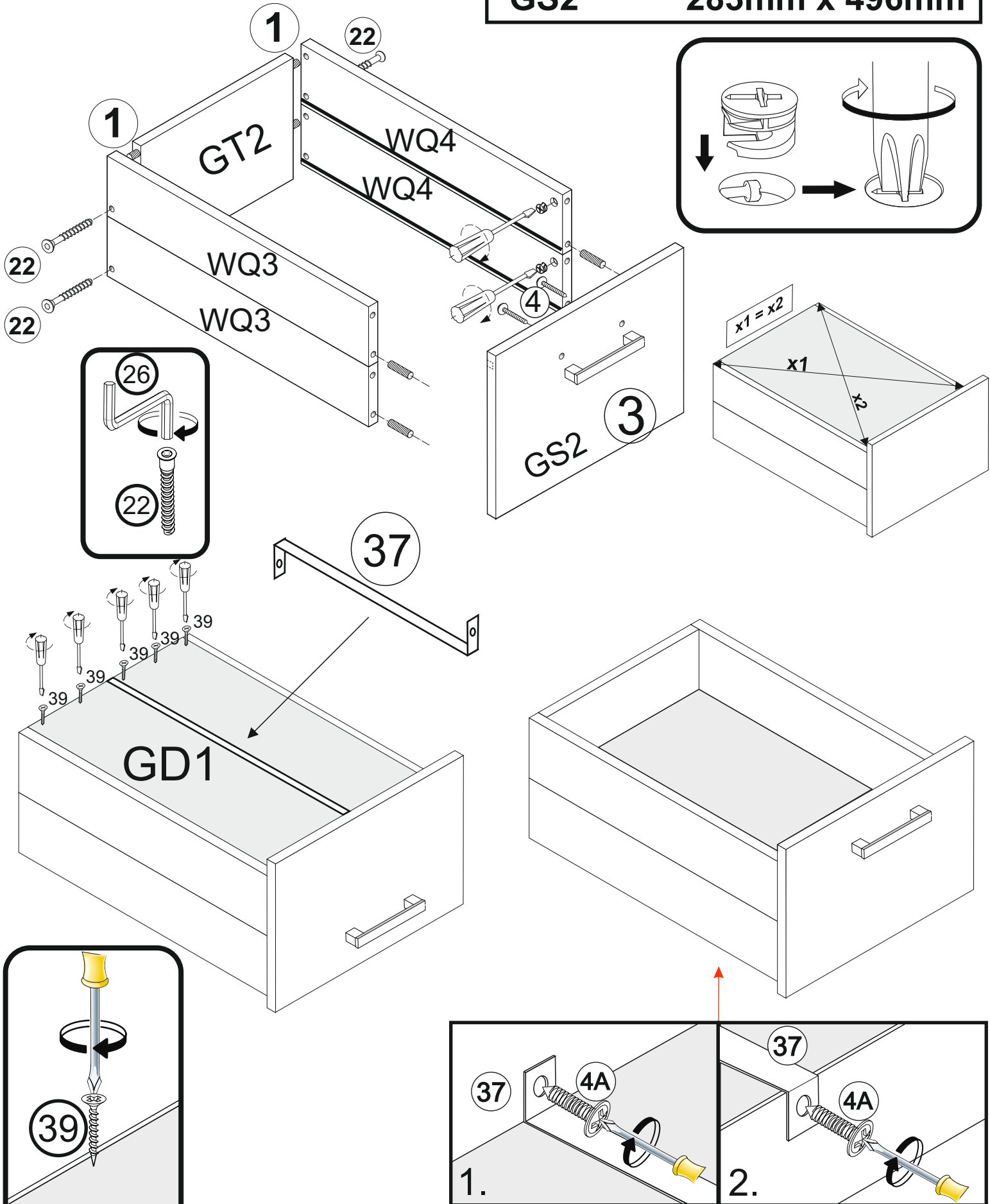
# VI

WQ3/WQ4	400mm x 96mm
GT1	427mm x 81mm
GD1	437mm x 403mm
GS1	140mm x 496mm

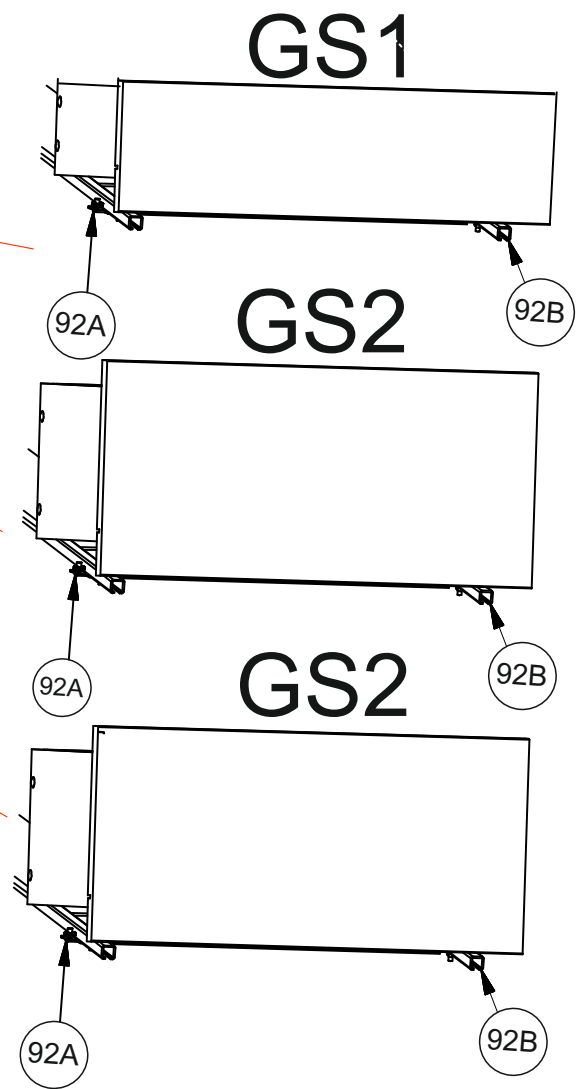
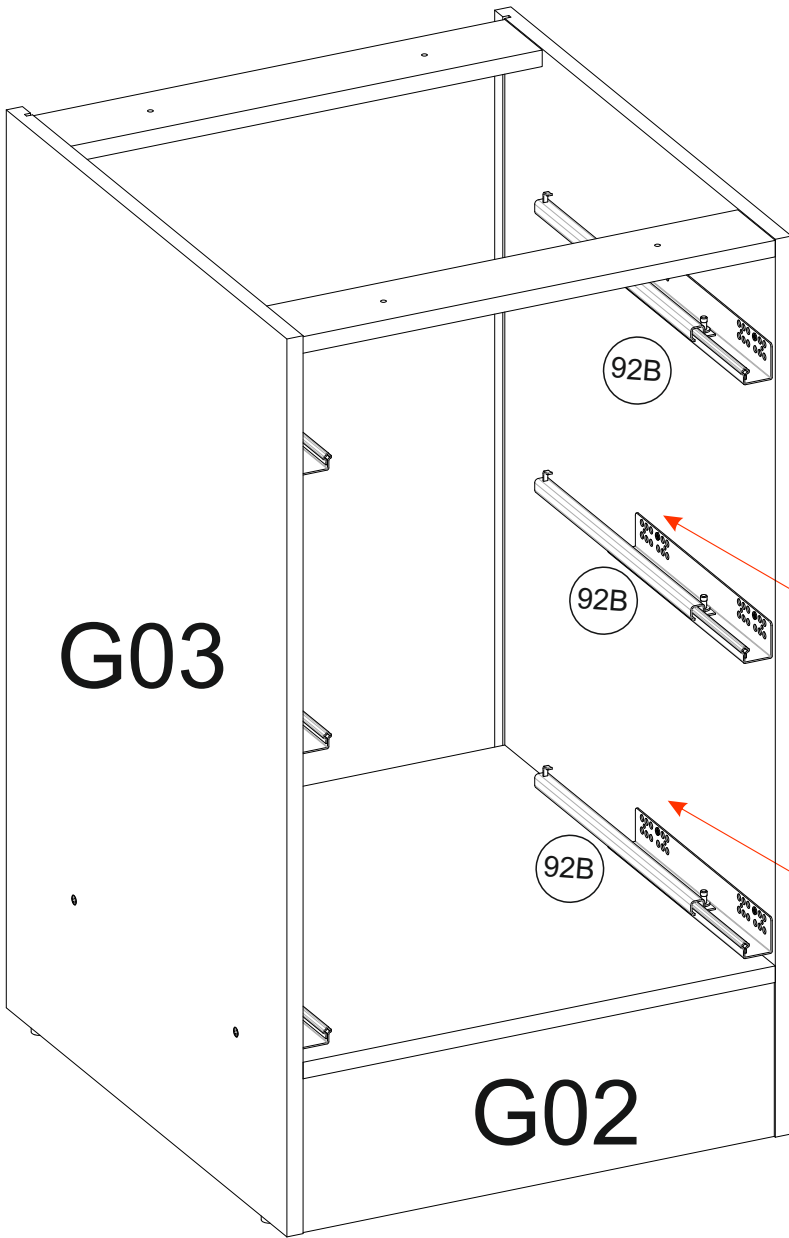
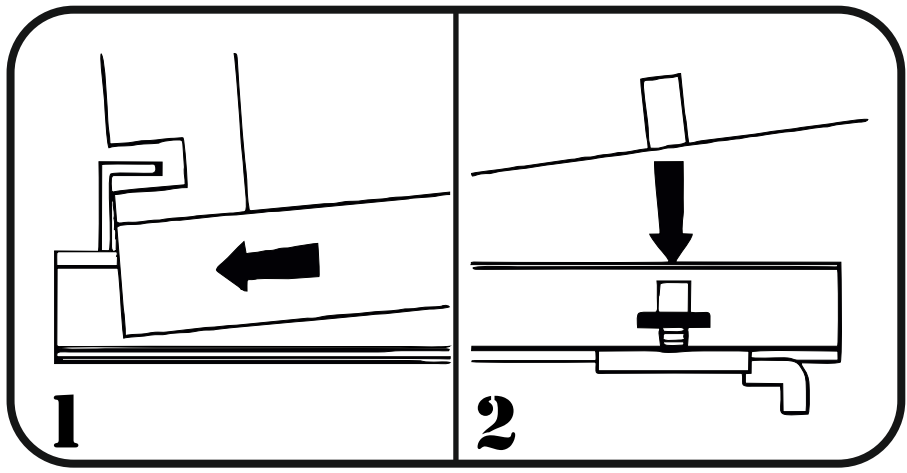


# VII

WQ3/WQ4	400mm x 96mm
GT2	427mm x 177mm
GD1	437mm x 403mm
GS2	283mm x 496mm

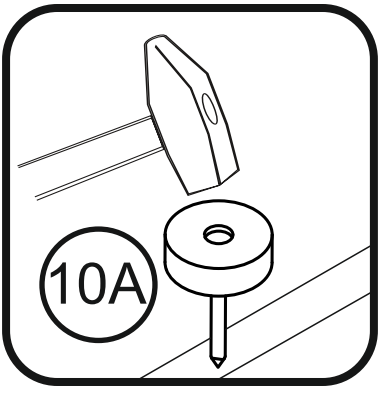
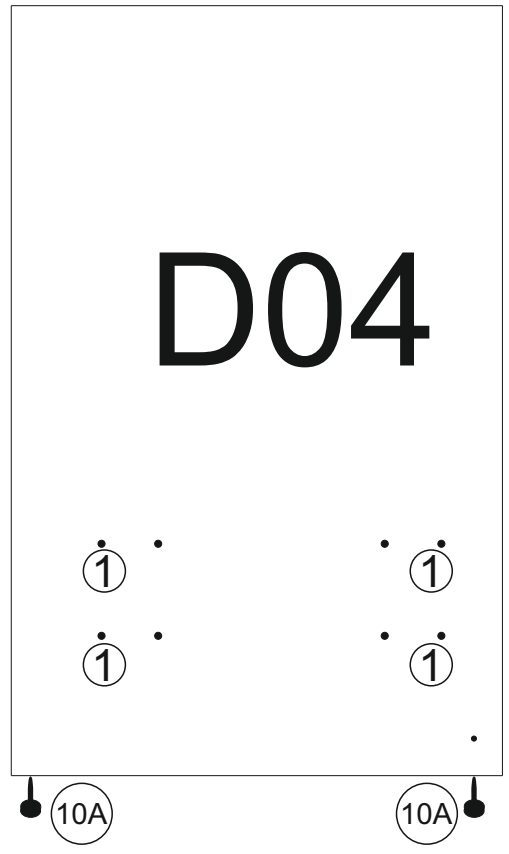
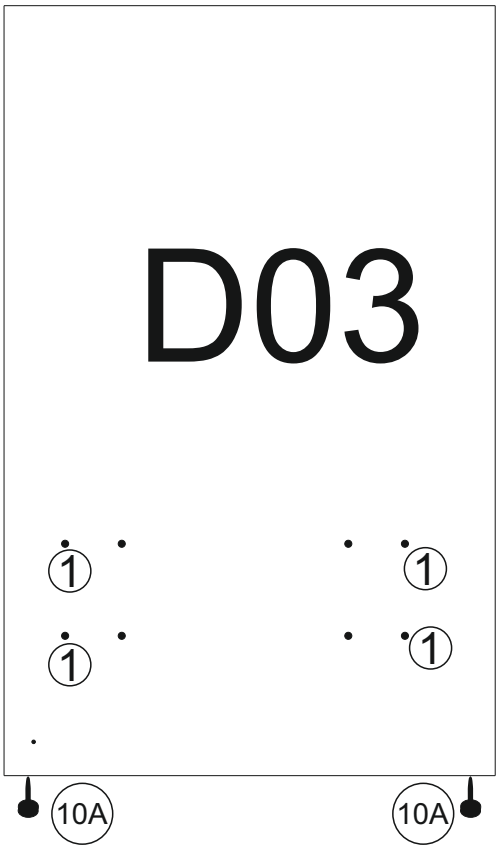
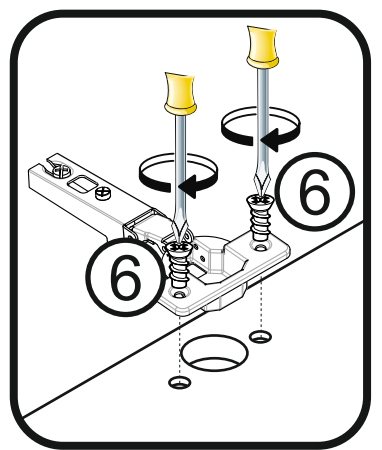
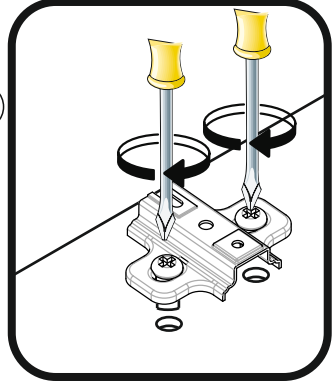
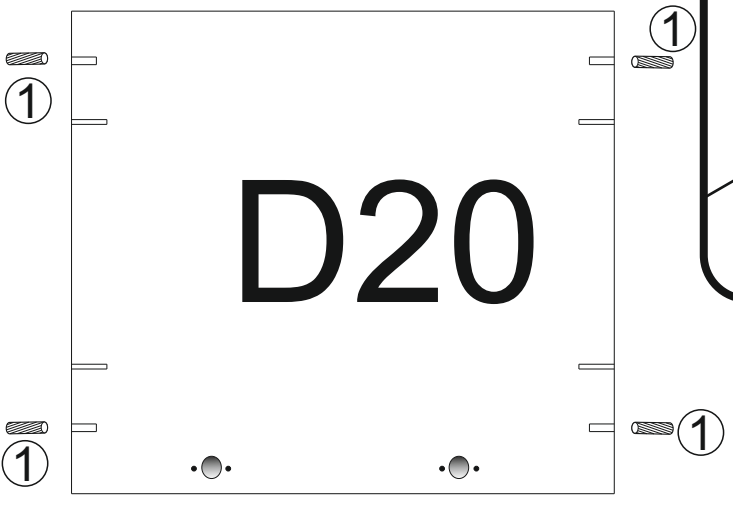
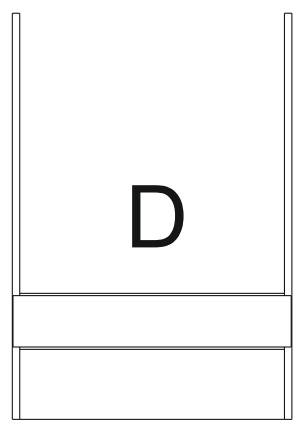
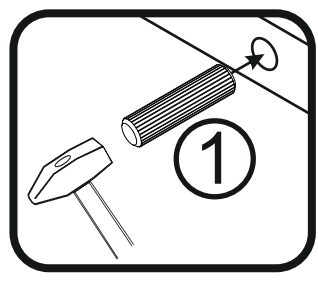
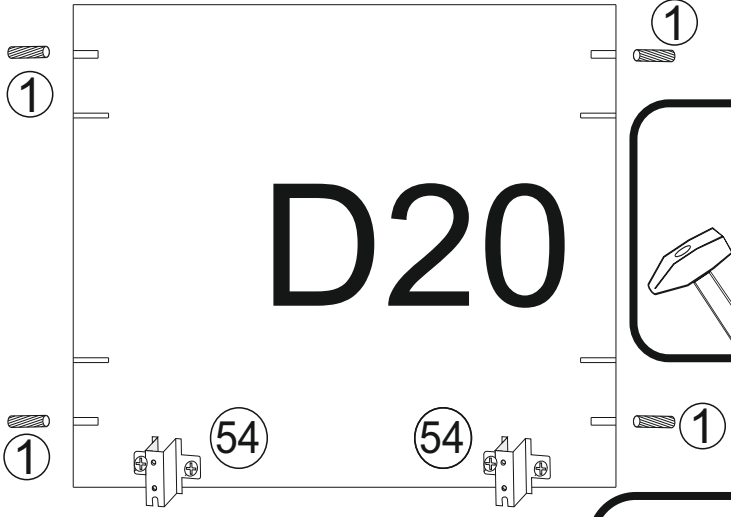




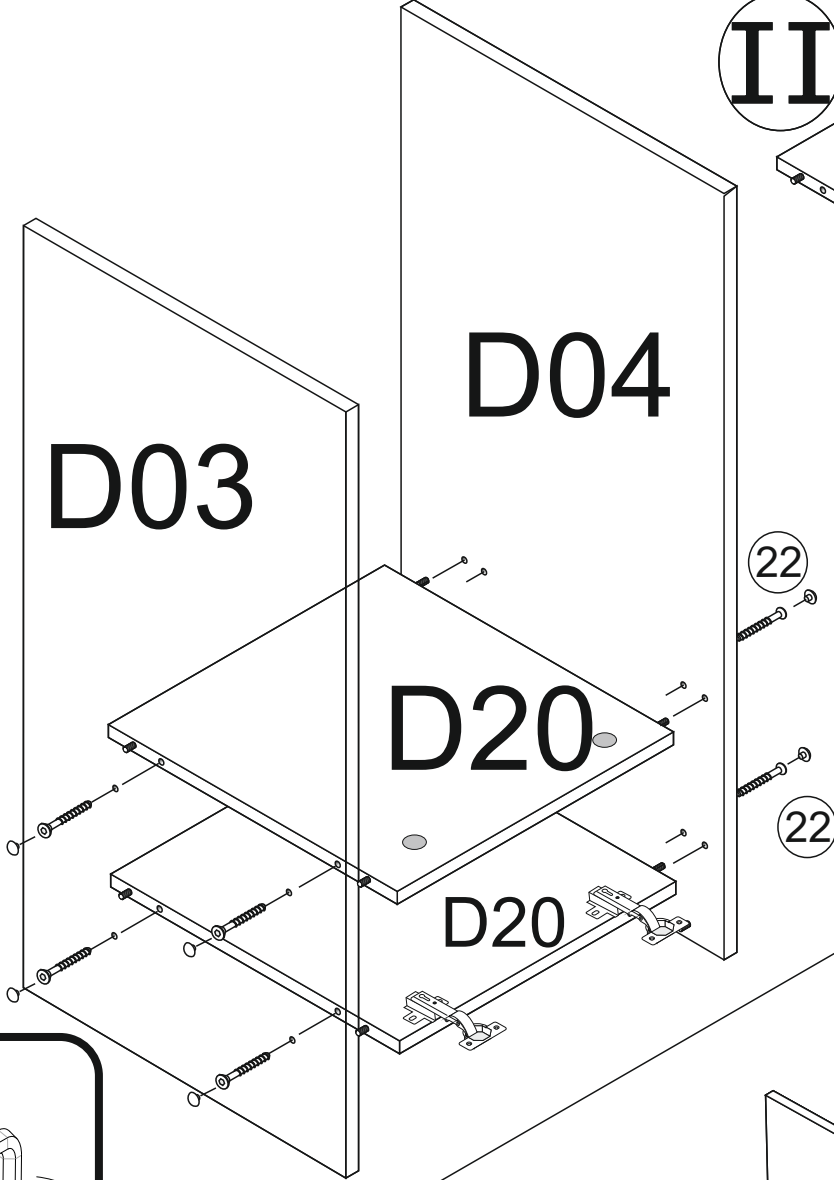




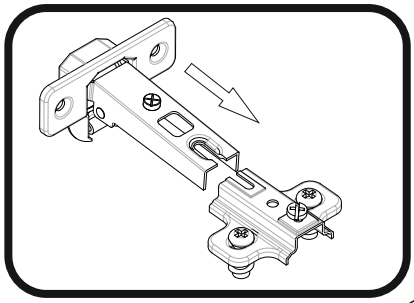
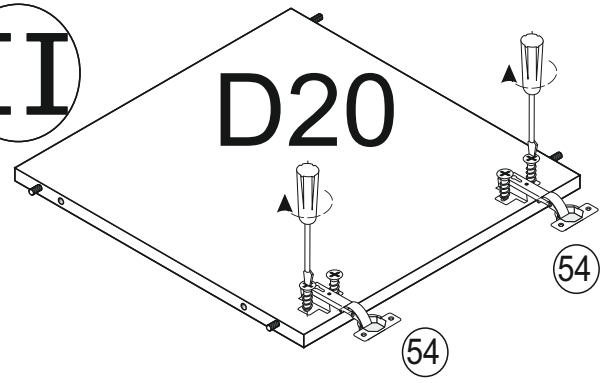
I



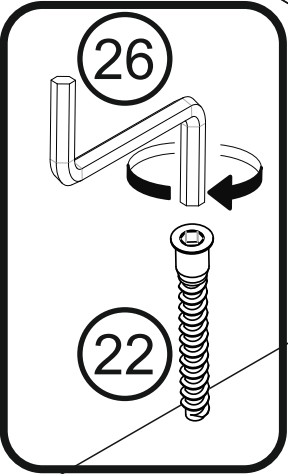
III



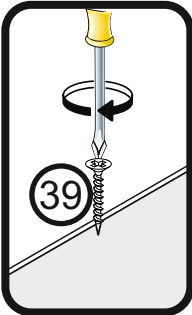
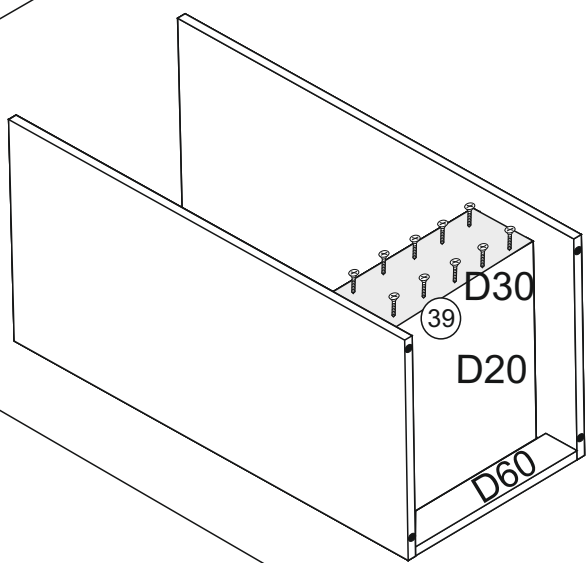
II



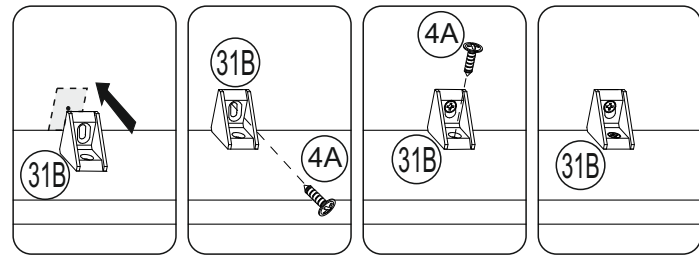
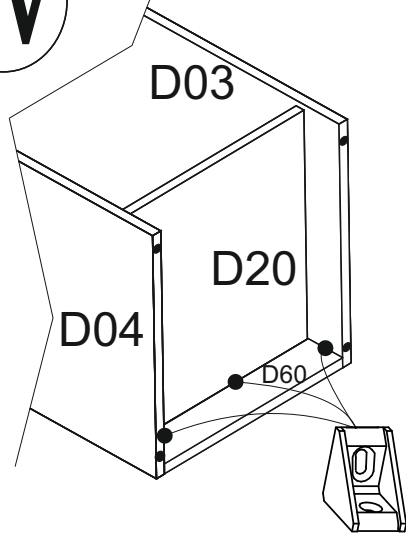
D03/D0	4870mm x 555mm
D20	567mm x 510mm
D30	566mm x 120mm
D60	567mm x 150mm



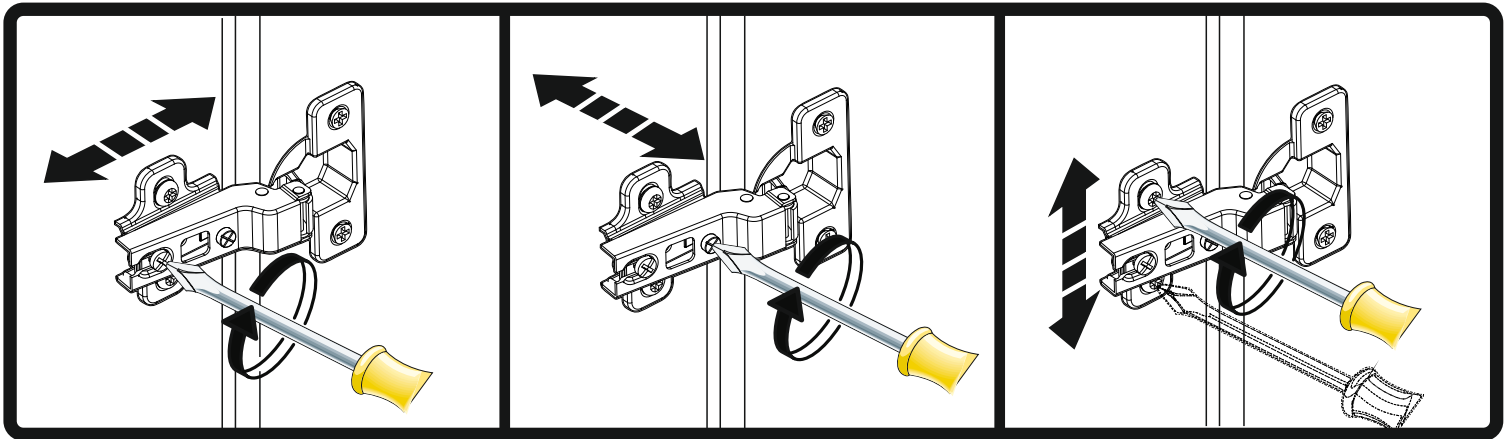
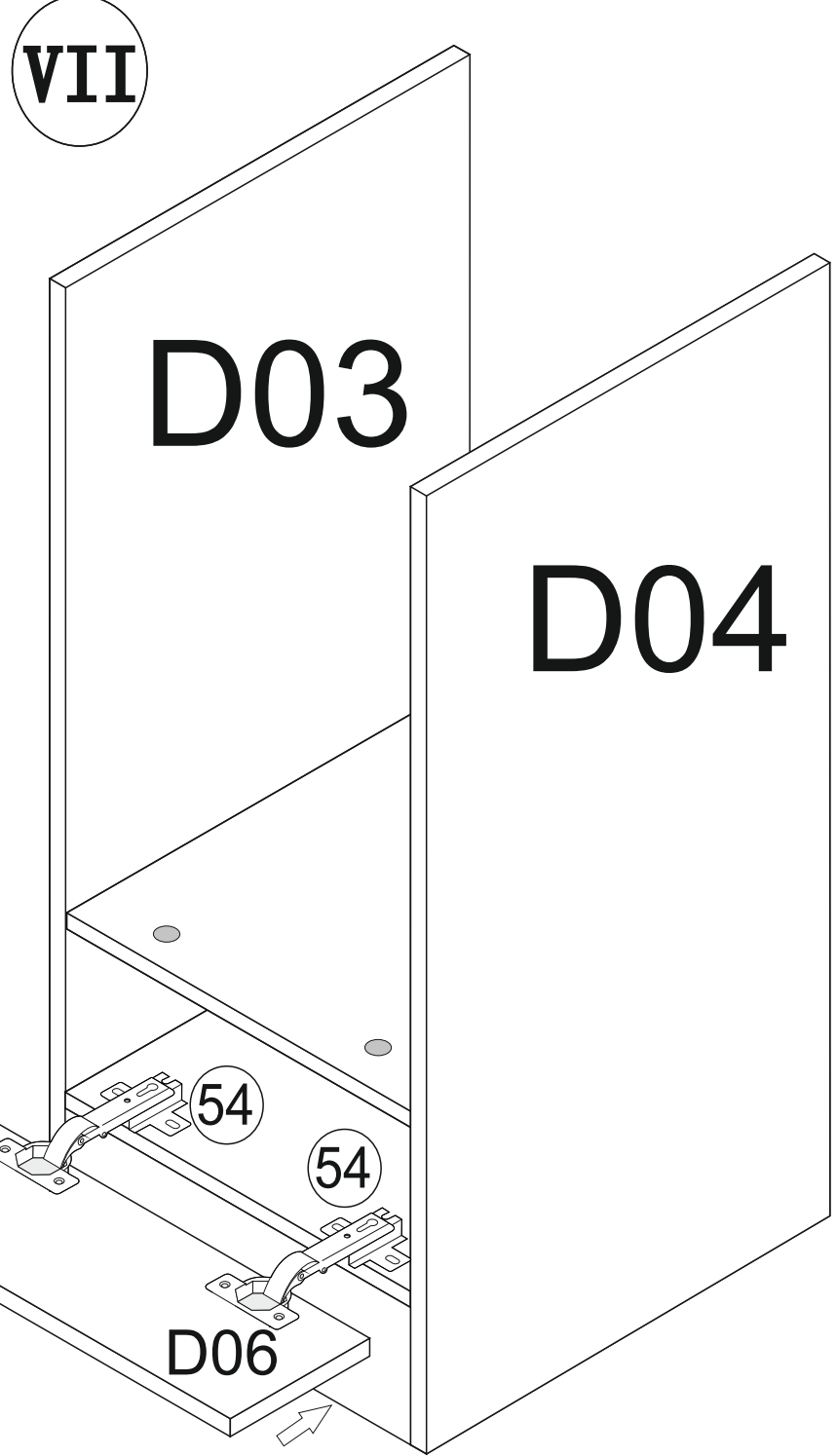
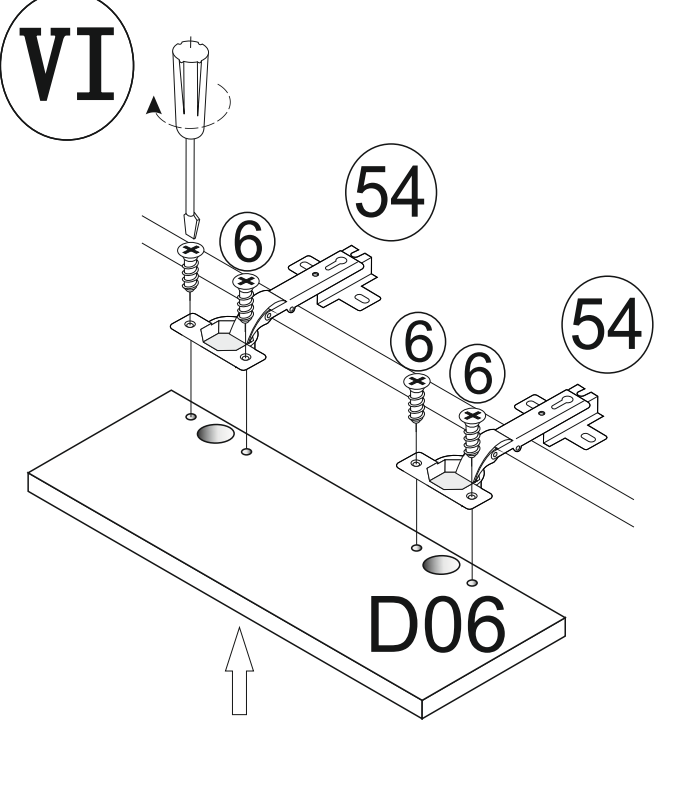
V



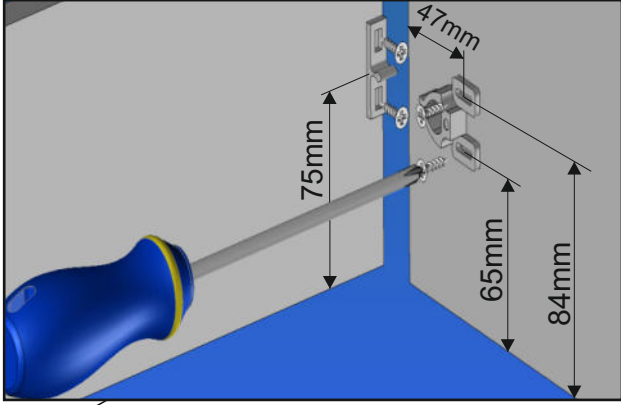
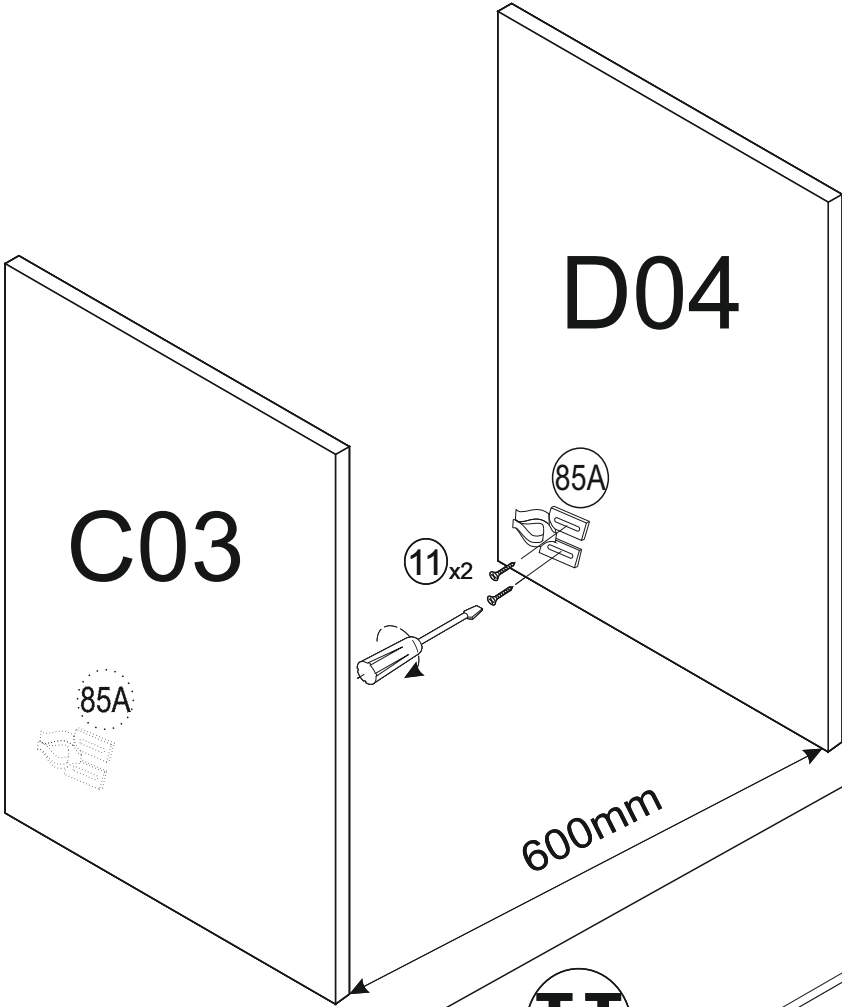
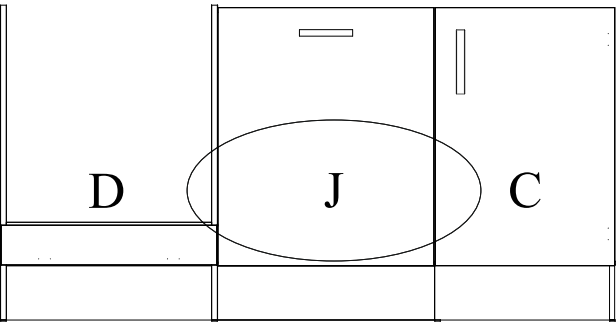
IV



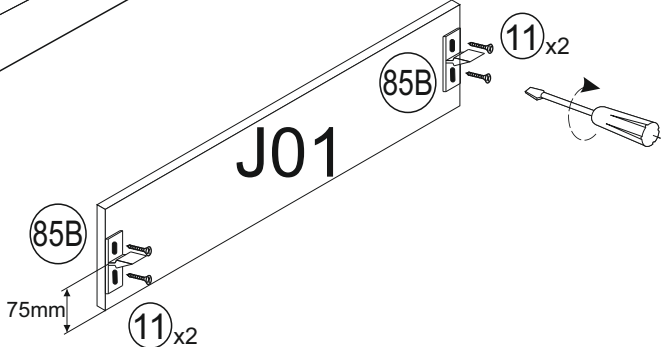
31B x3



I

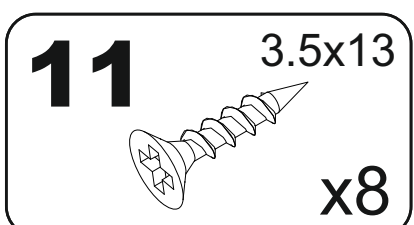
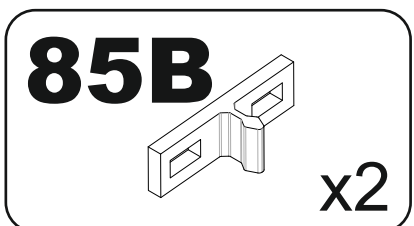
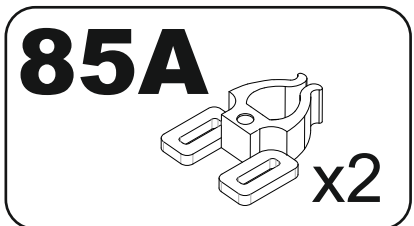
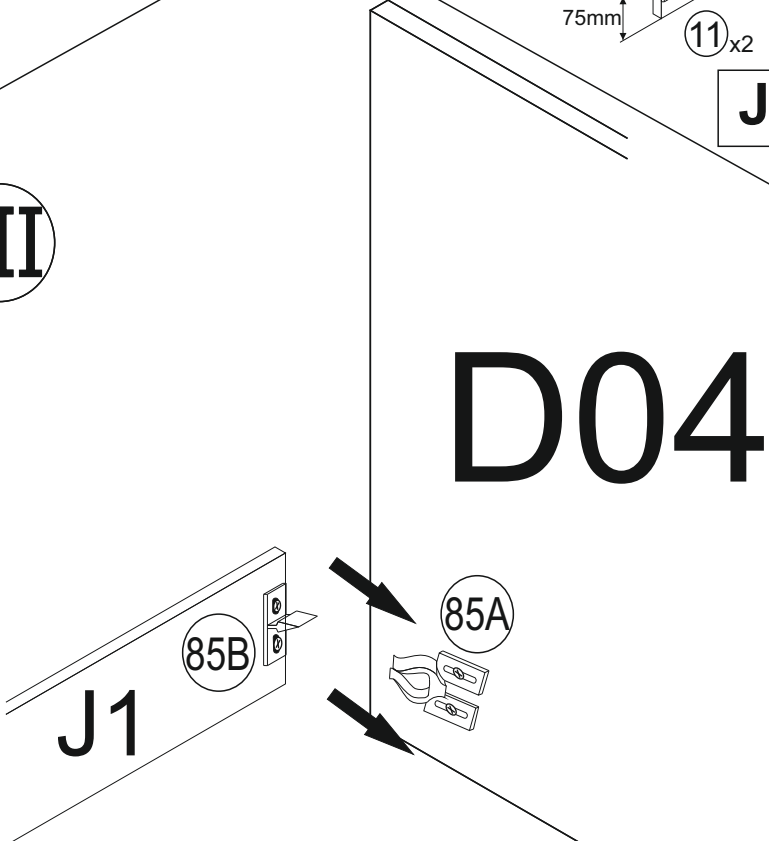


II

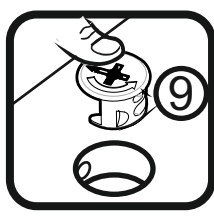


J01 600mm x 150mm

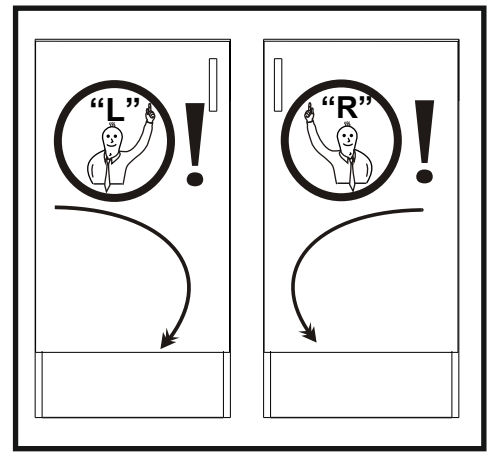
III



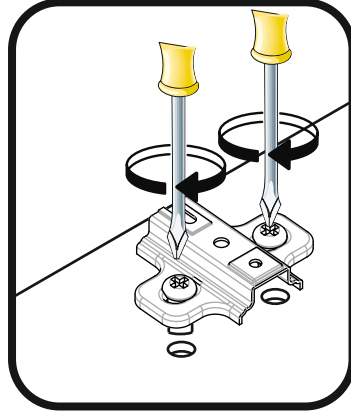
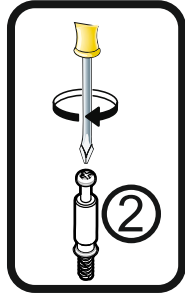
I



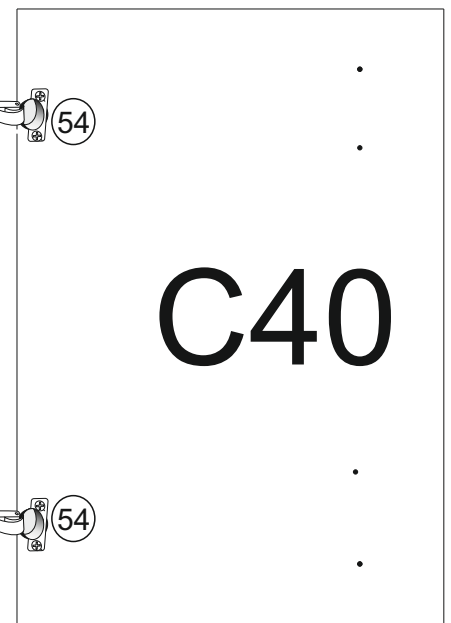
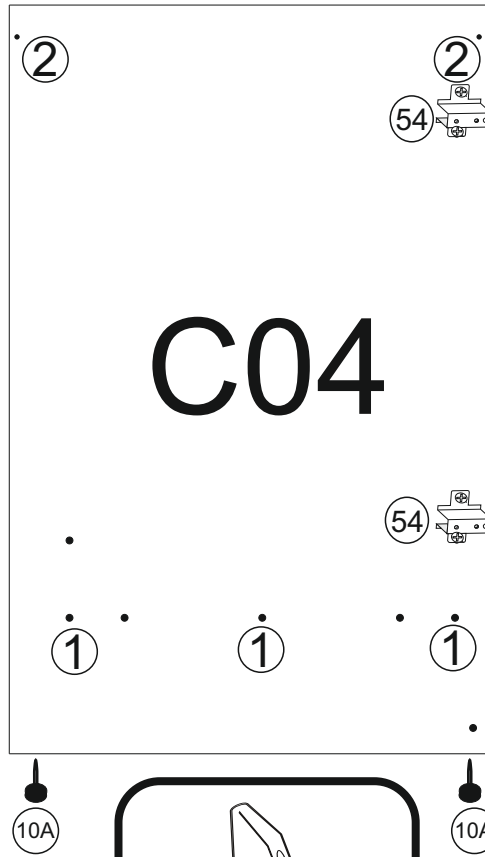
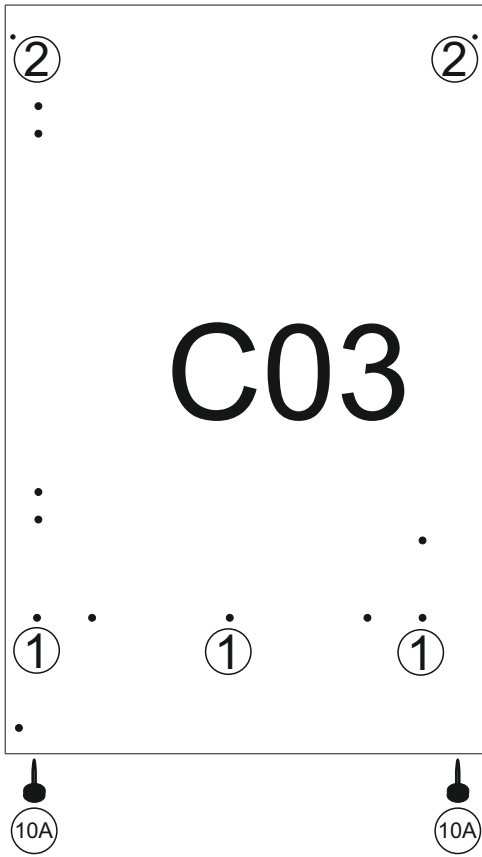
9 C61<sub>x2</sub> 9



C60<sub>x2</sub>



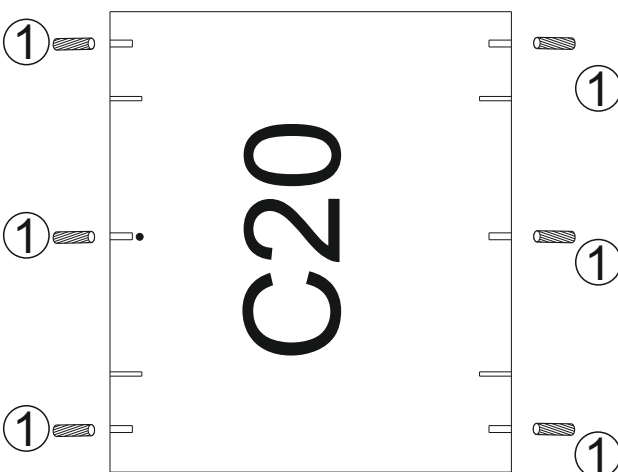
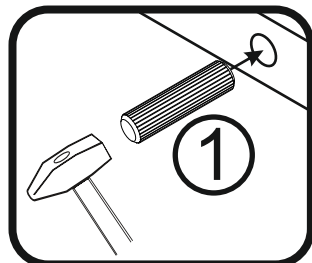
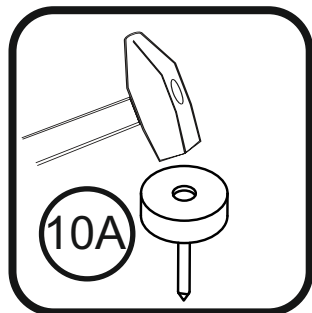
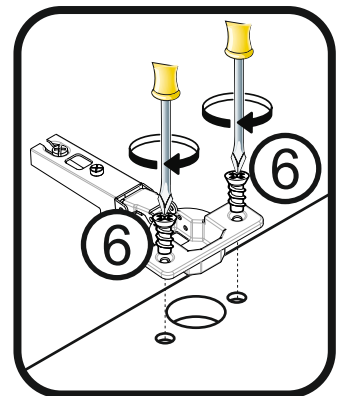
C



C03

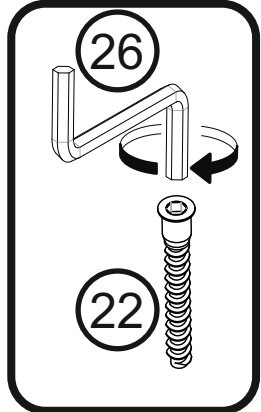
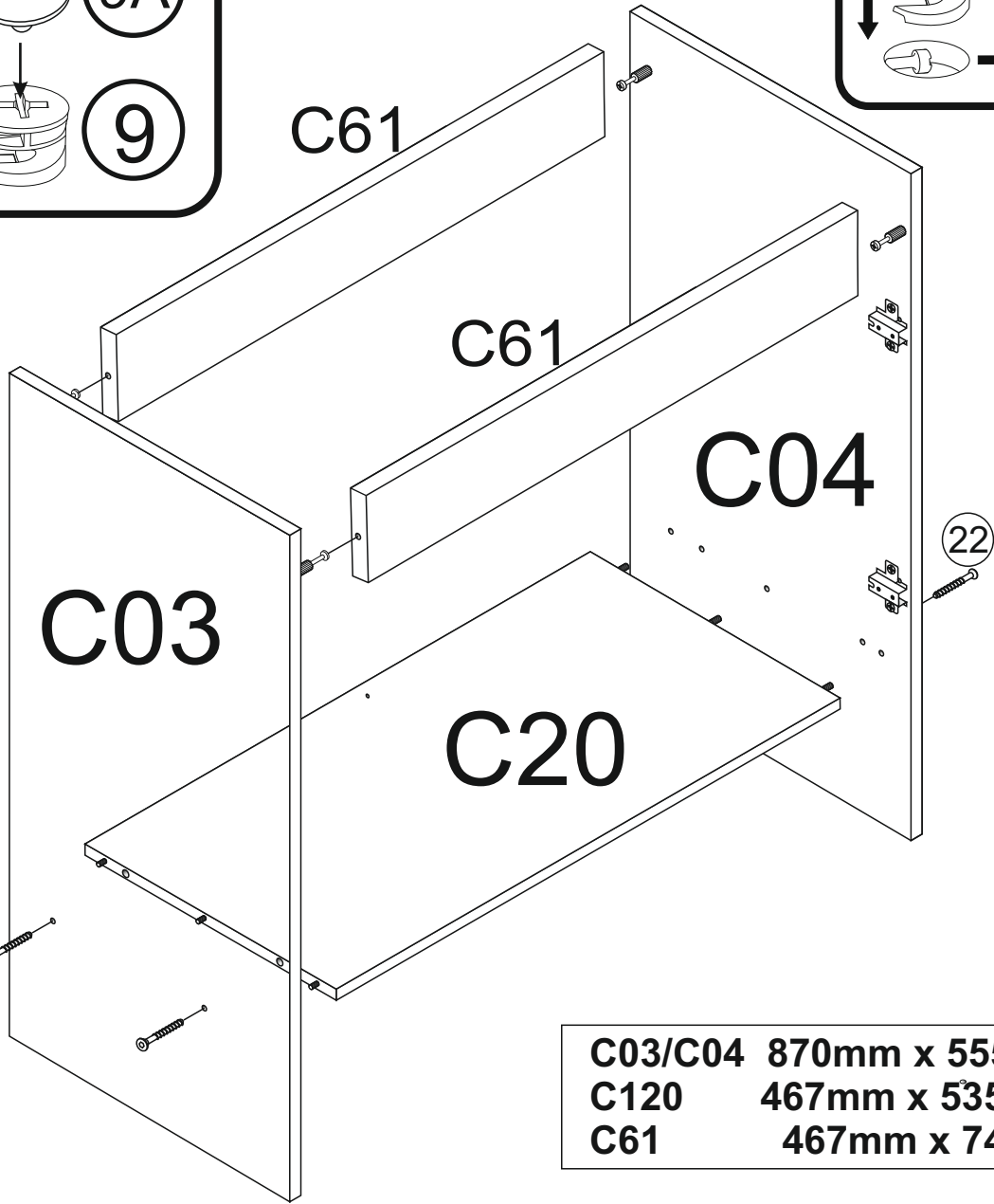
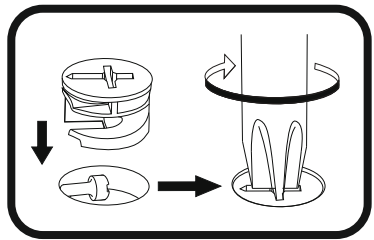
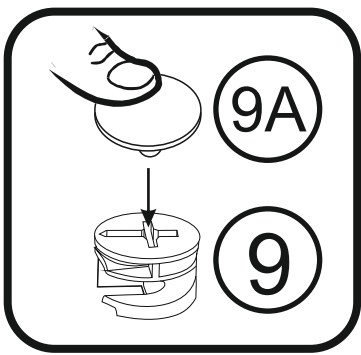
C04

C40



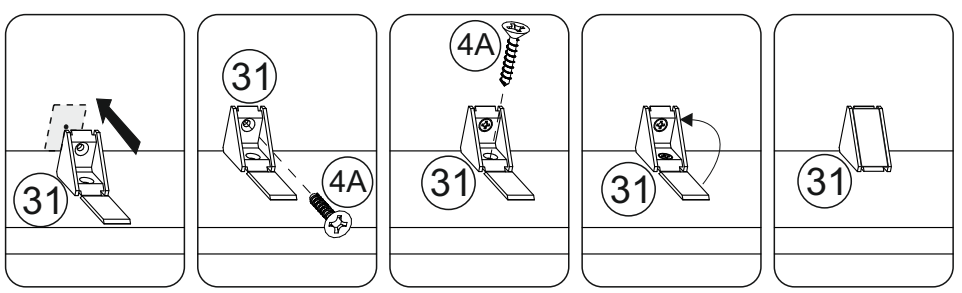
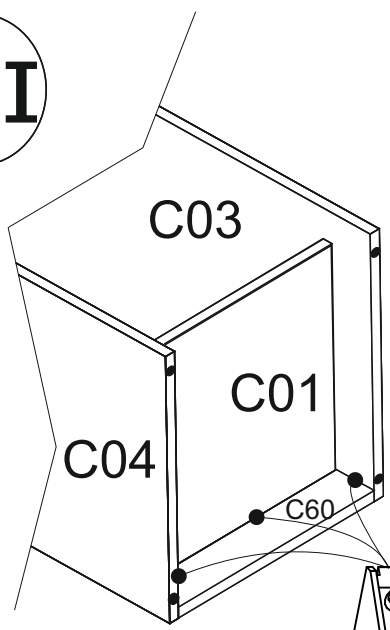
C20

# II



C03/C04	870mm x 555mm
C120	467mm x 535mm
C61	467mm x 74mm

# III

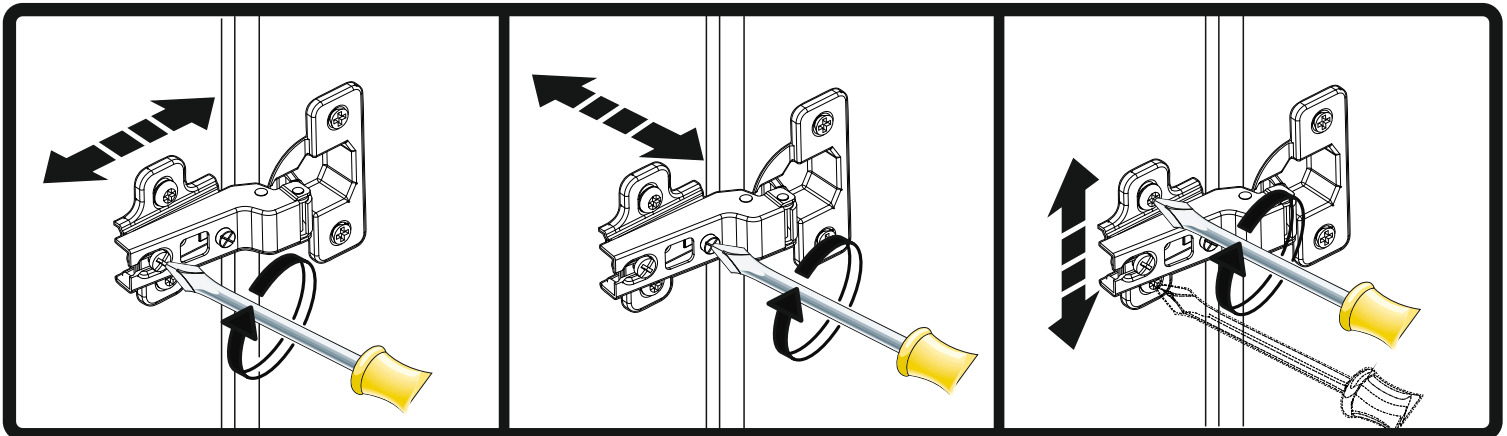
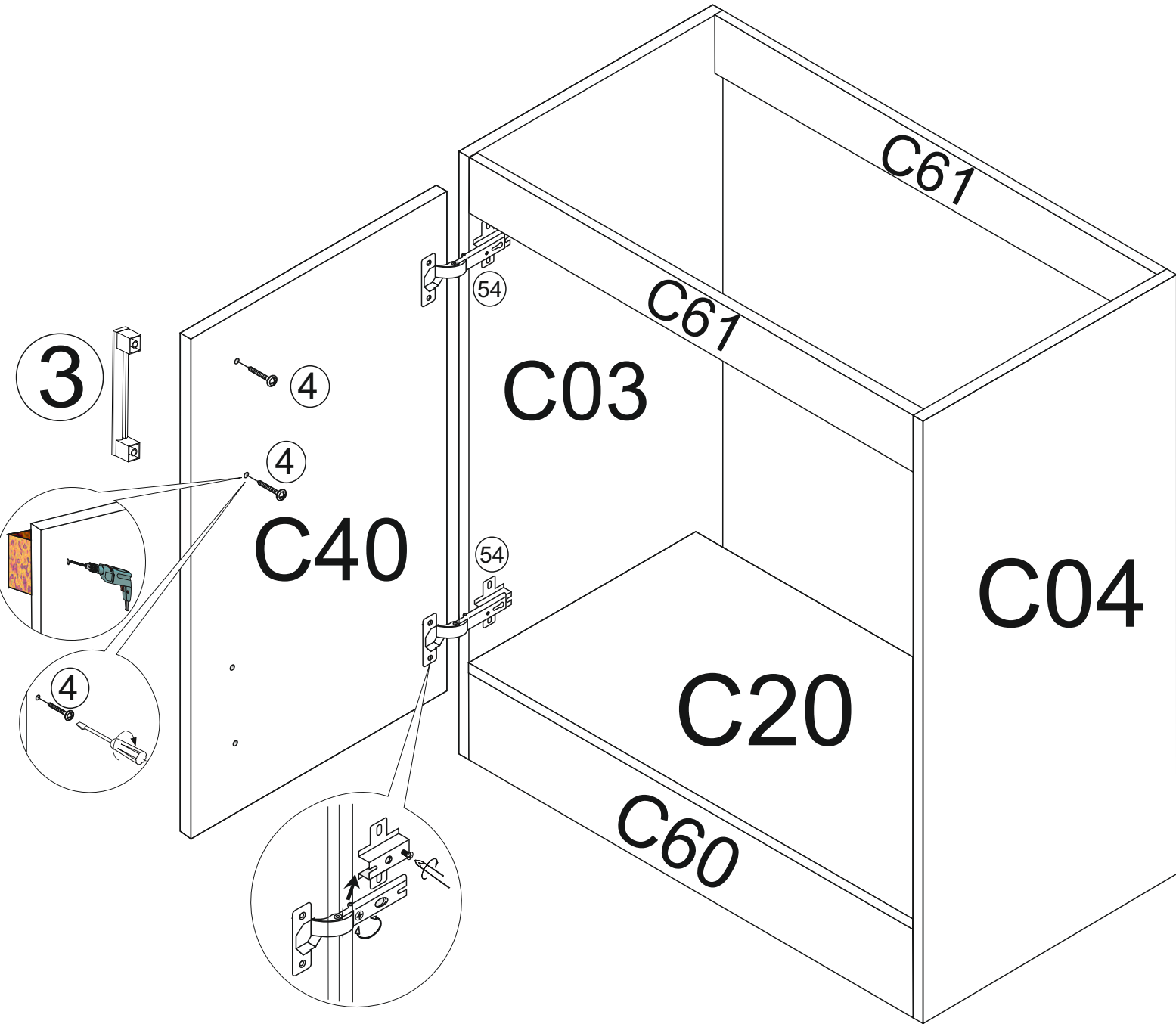


C60	467mm x 150mm
-----	---------------

31 x3

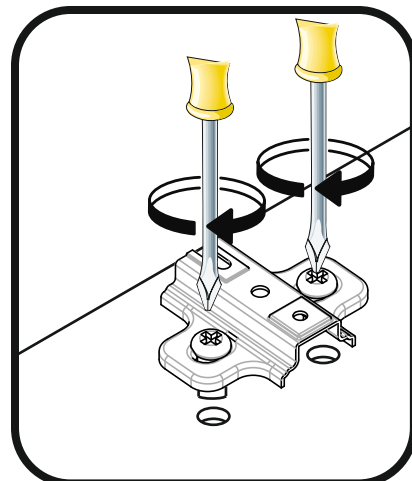
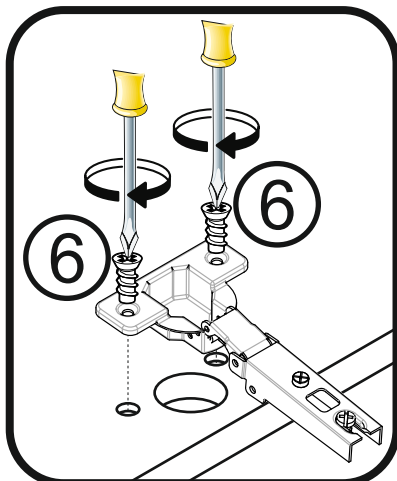
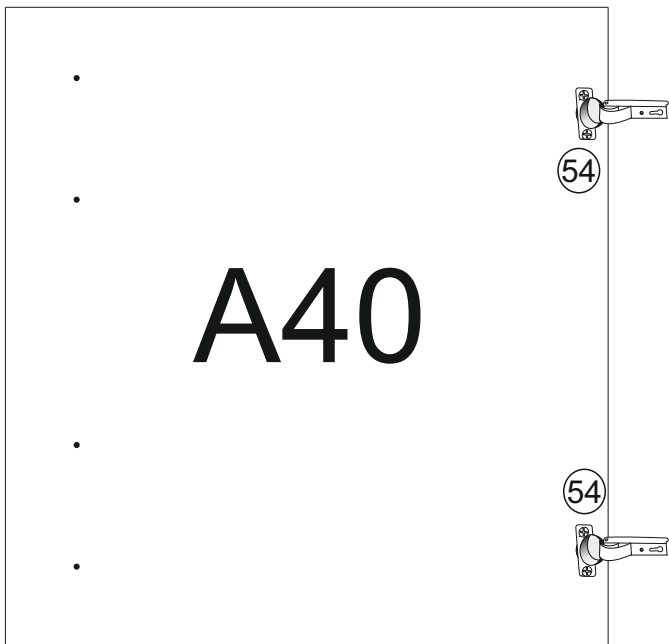
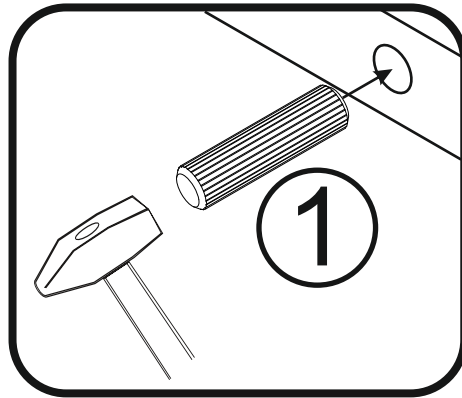
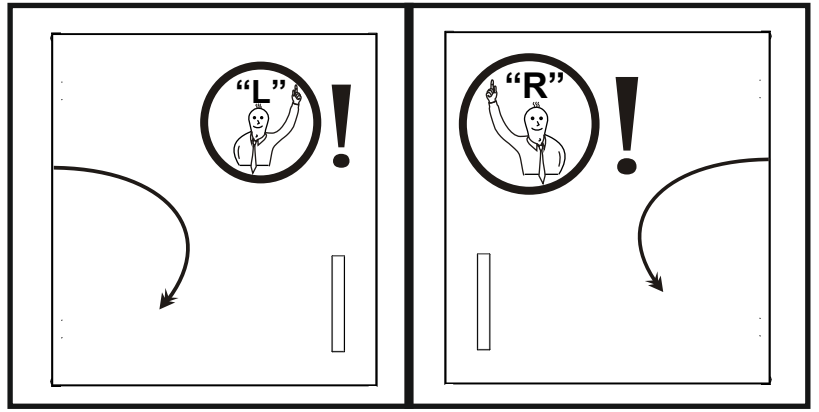
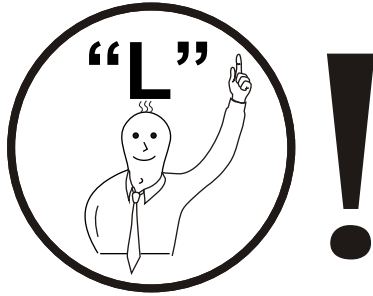
# IV

C40 713mm x 496mm

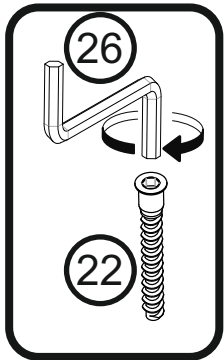


A

I

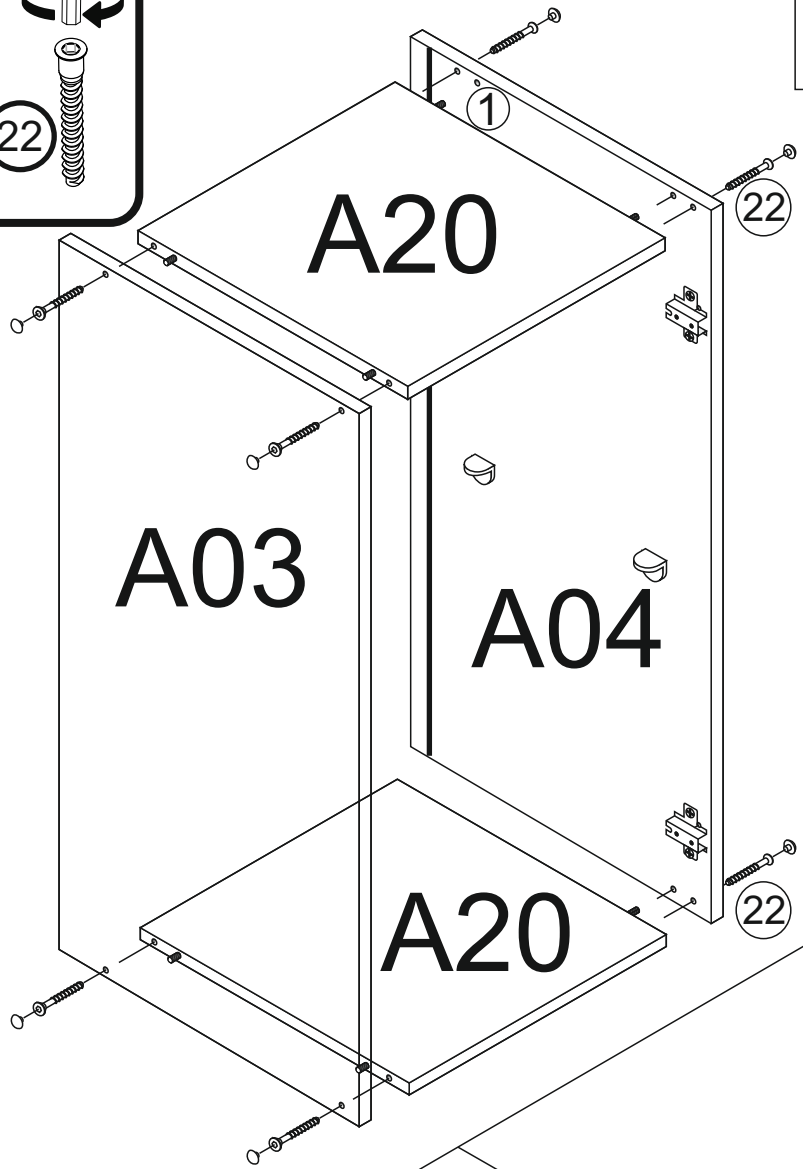
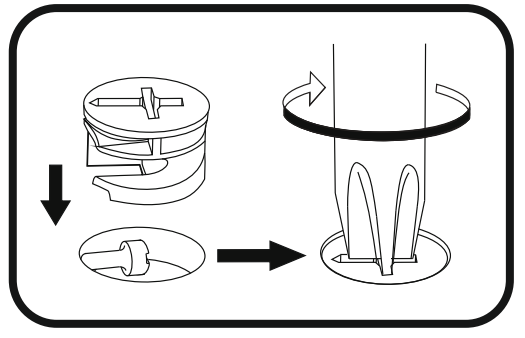




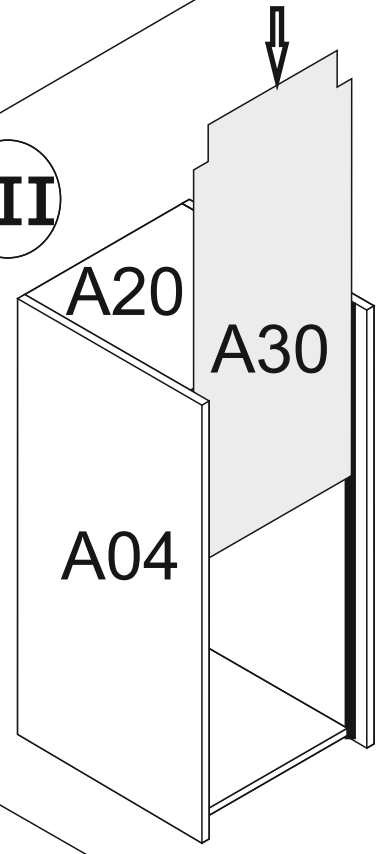


**II**

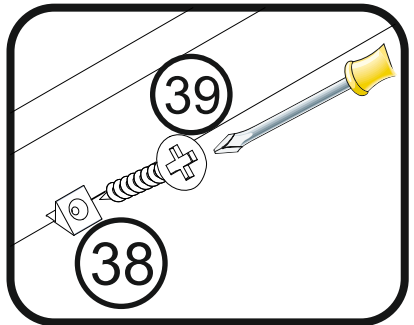
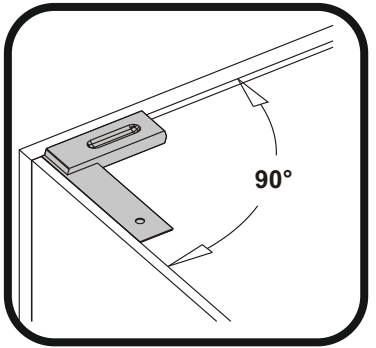
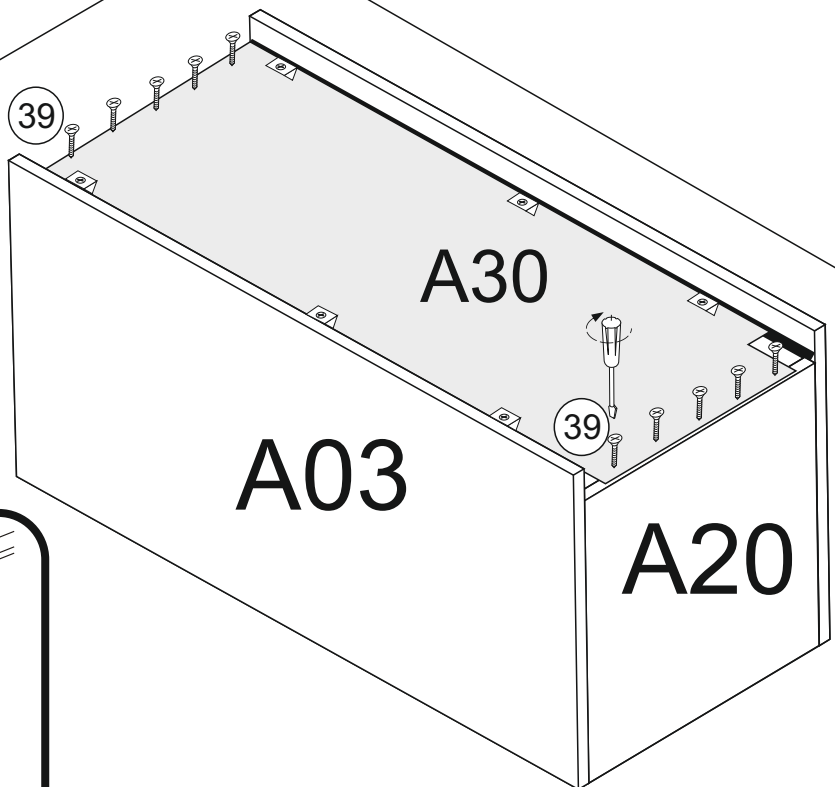
<b>A03/A04</b>	<b>650mm x 330mm</b>
<b>A20</b>	<b>567mm x 310mm</b>
<b>A30</b>	<b>645mm x 577mm</b>

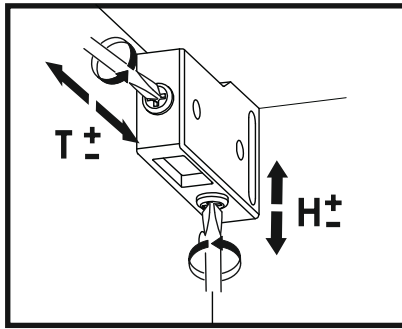
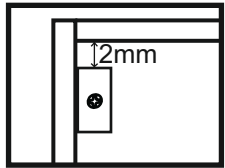
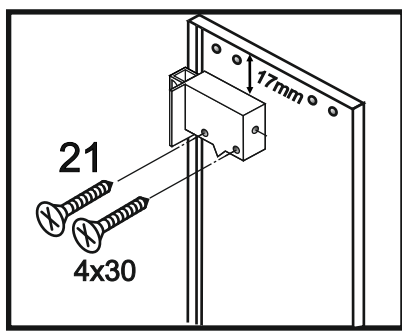


**III**



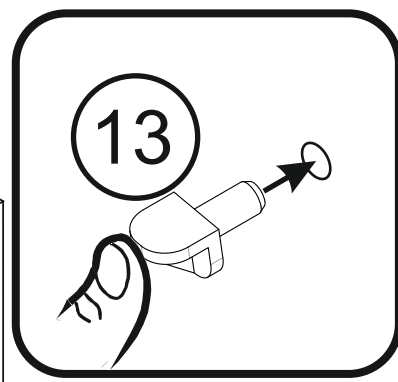
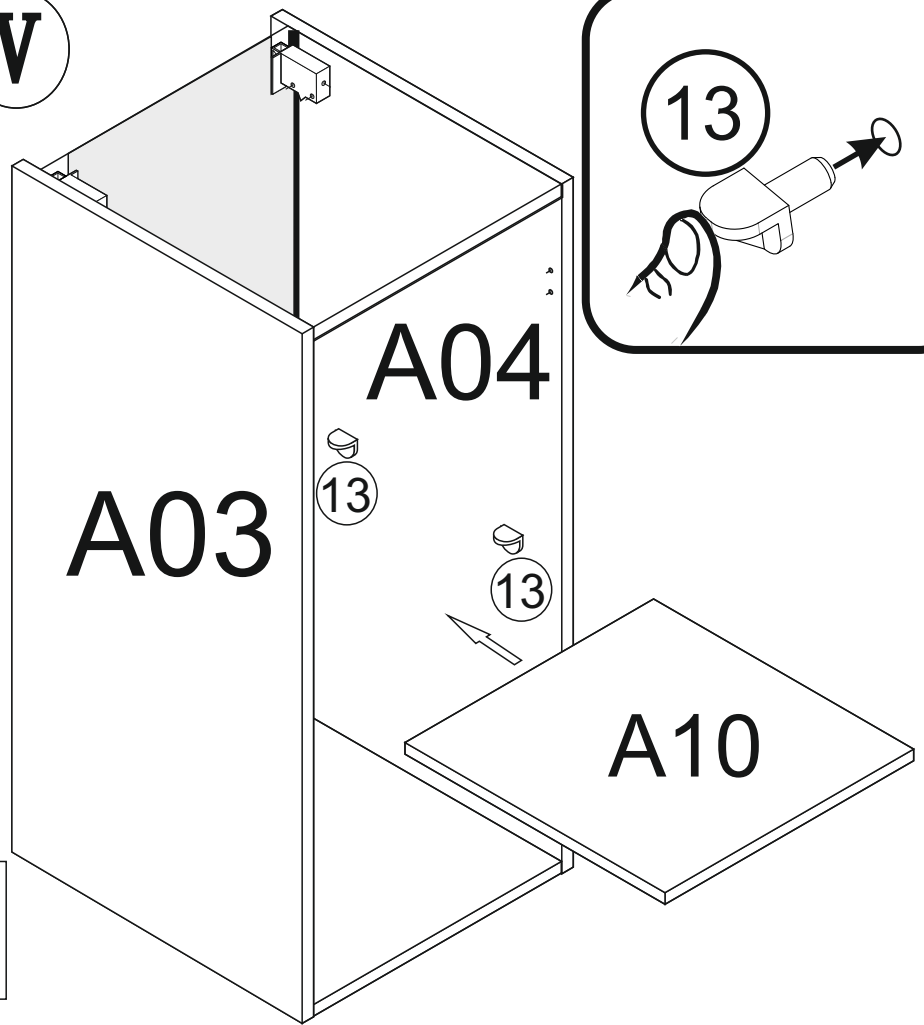
**IV**



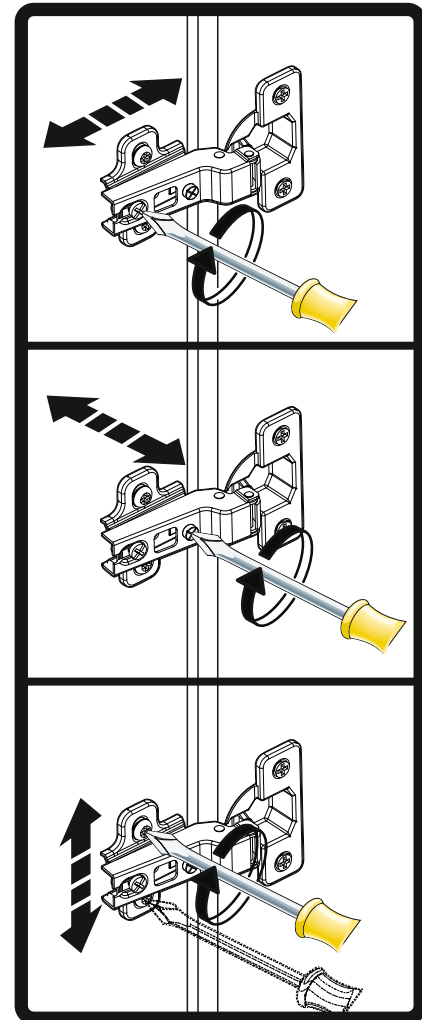
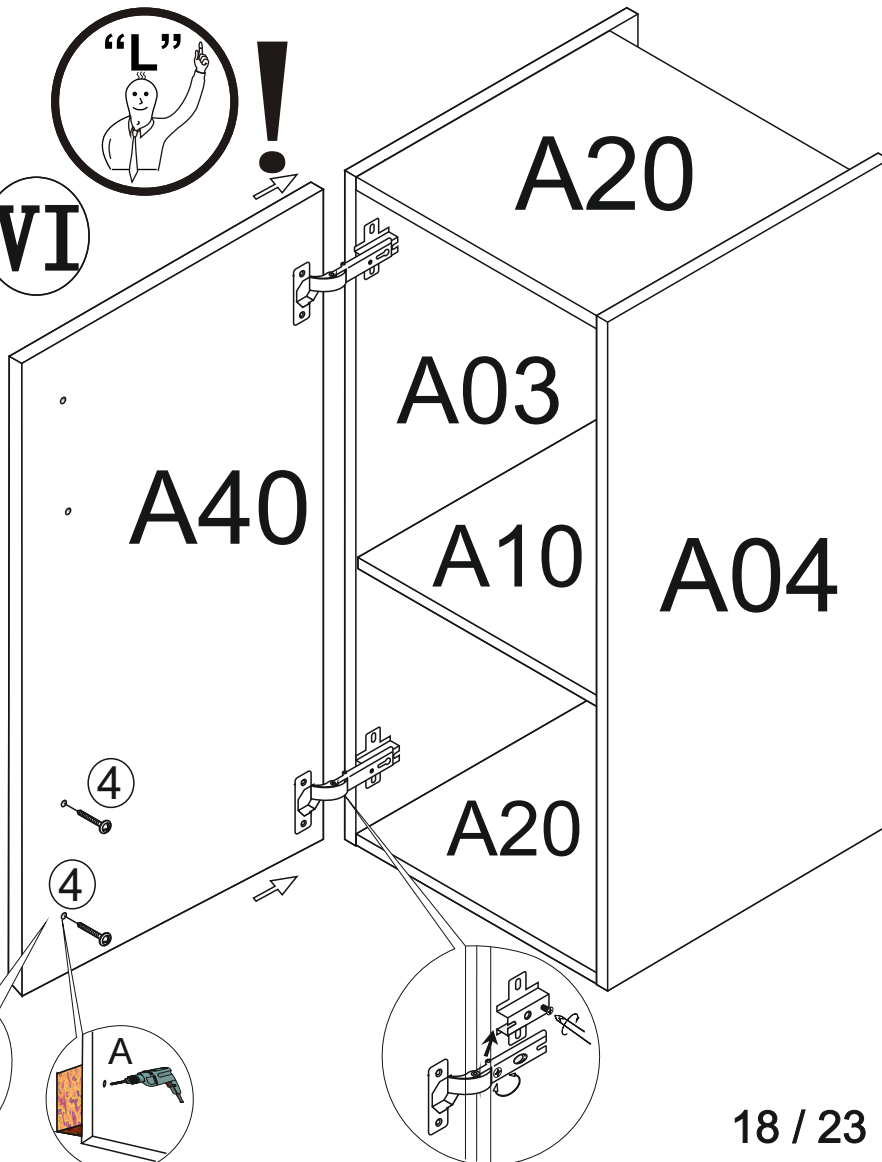


**A40 646mm x 596mm**  
**A10 567mm x 246mm**

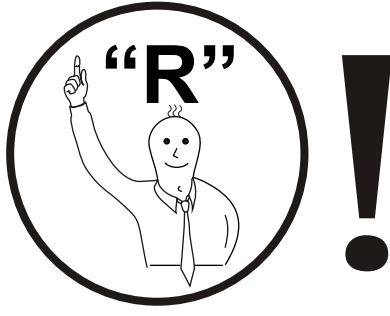
**V**



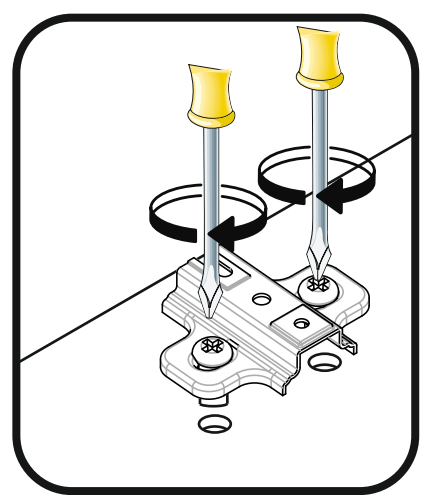
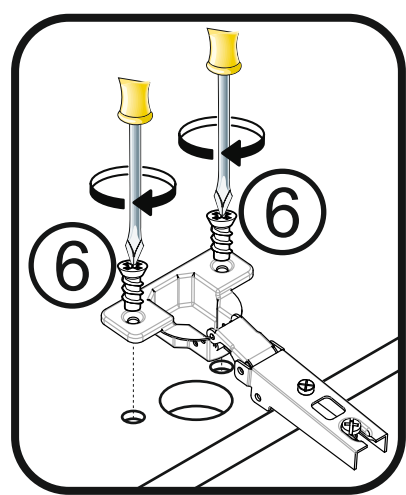
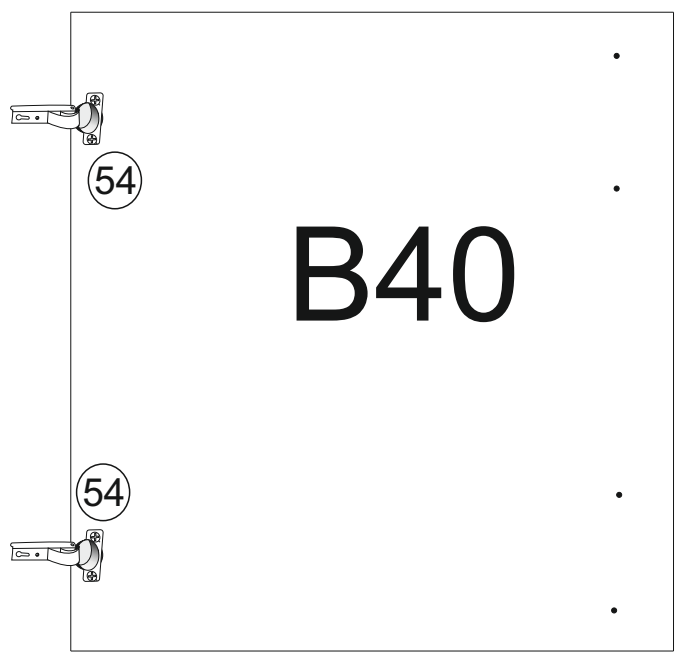
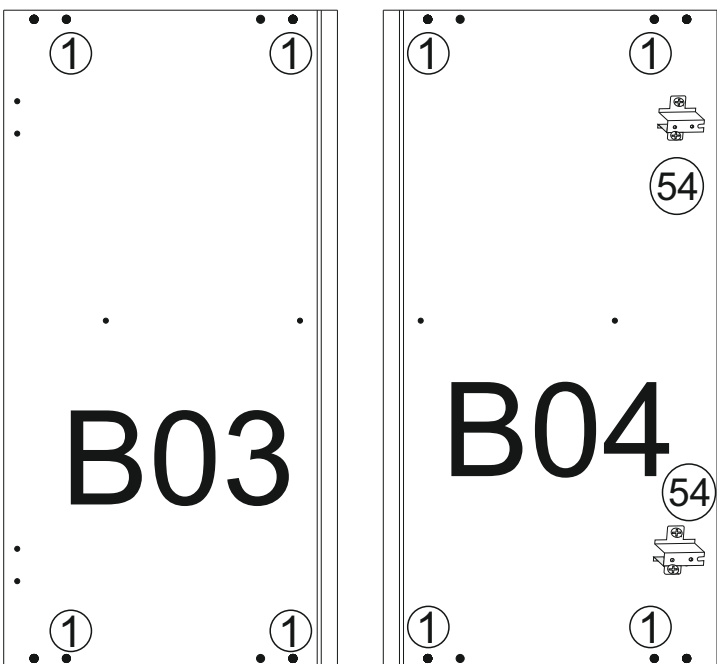
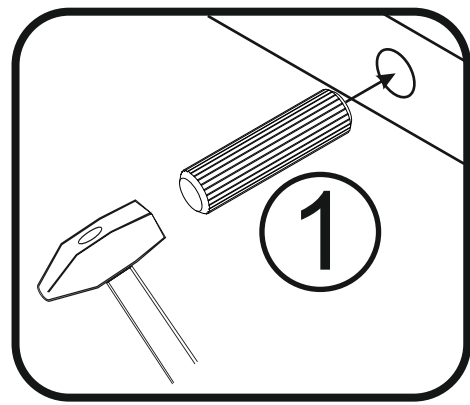
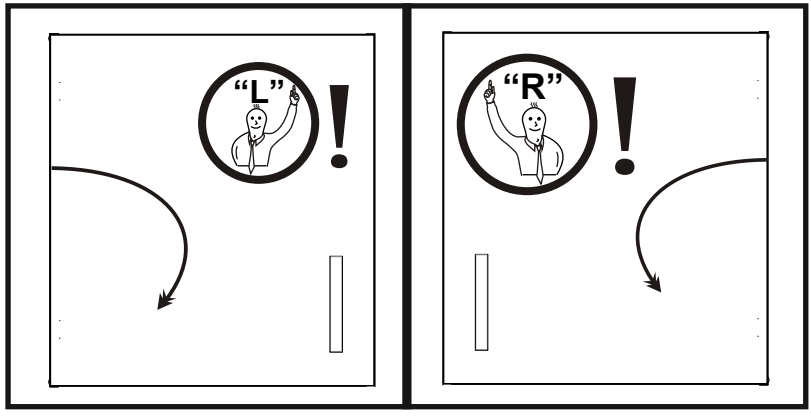
**VI**

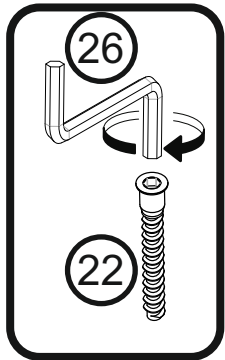


**B**



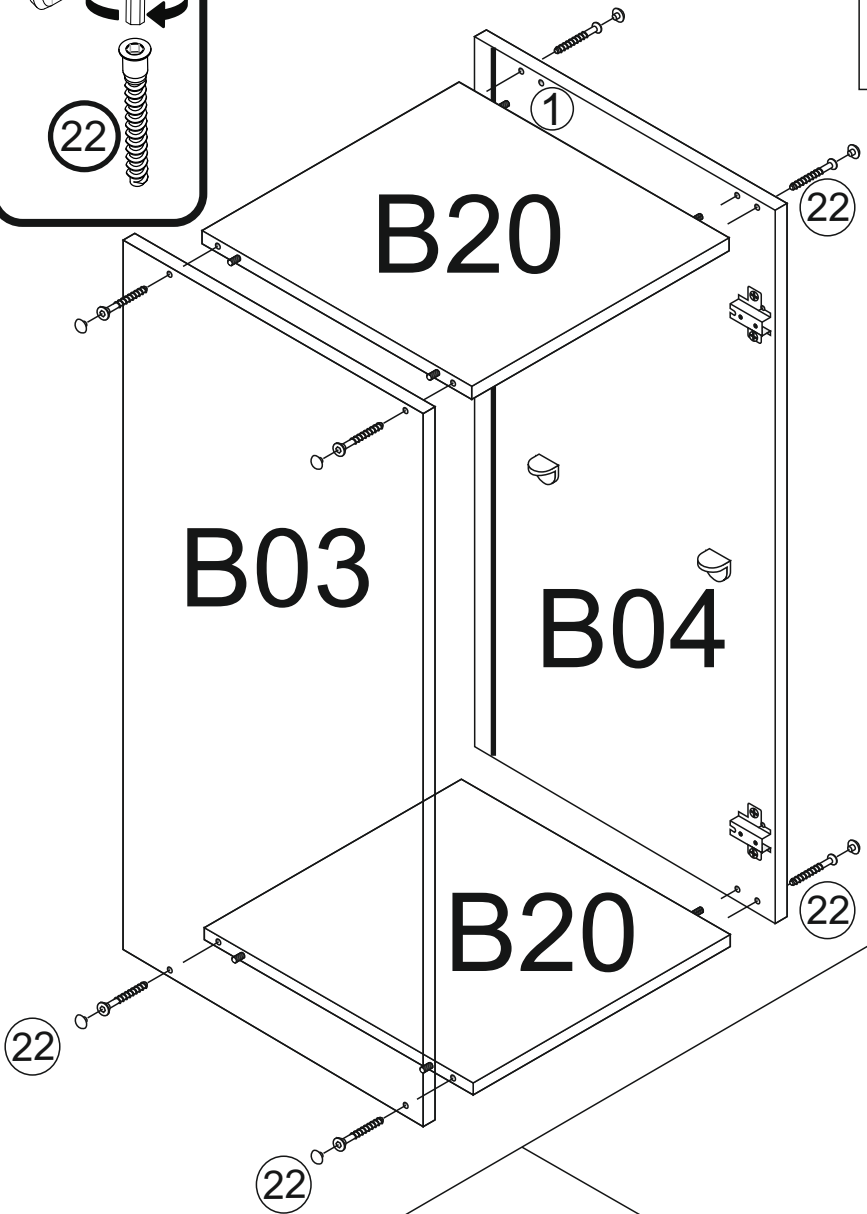
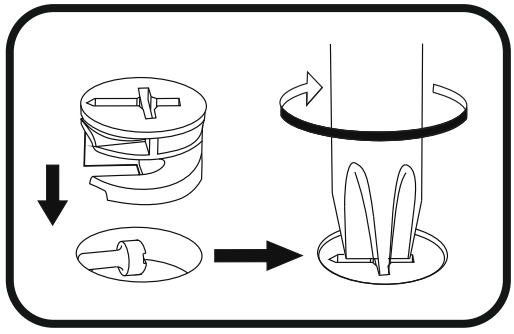
**I**



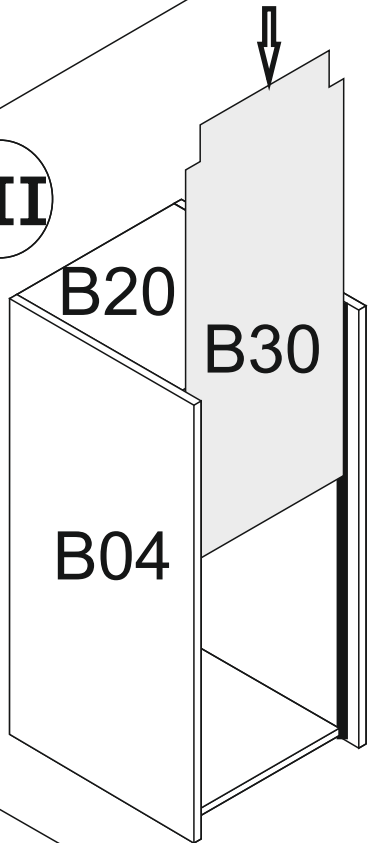


**II**

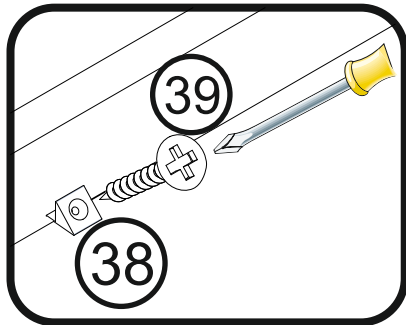
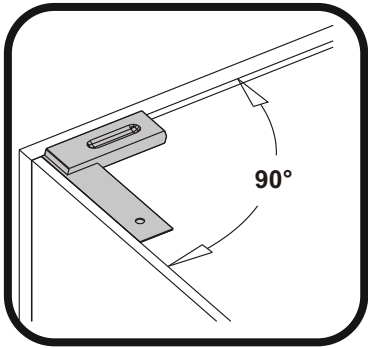
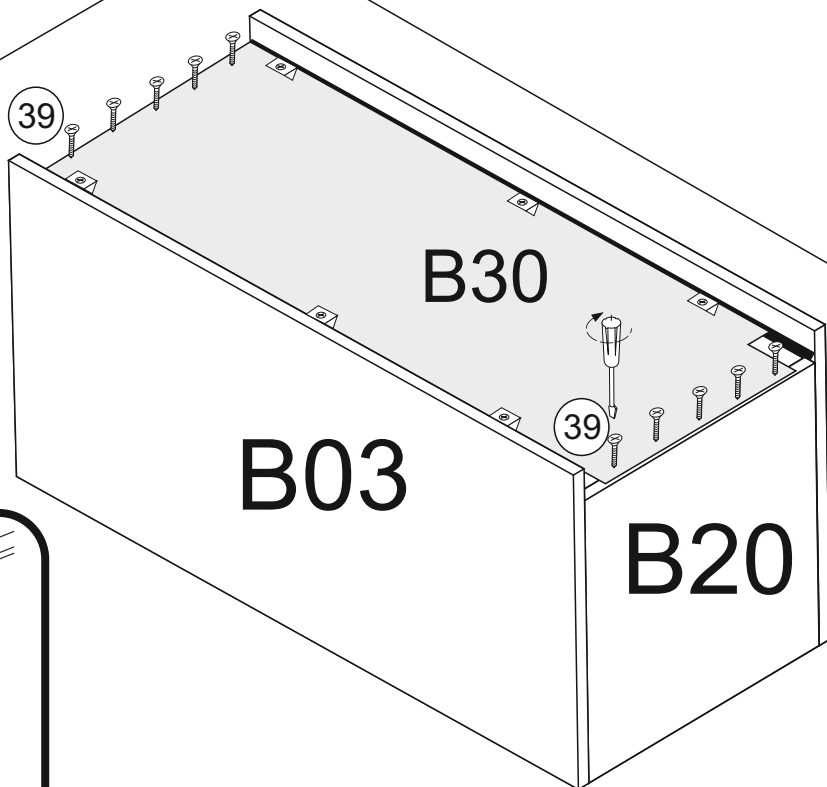
<b>B03/A04</b>	<b>650mm x 330mm</b>
<b>B20</b>	<b>467mm x 310mm</b>
<b>B30</b>	<b>645mm x 477mm</b>

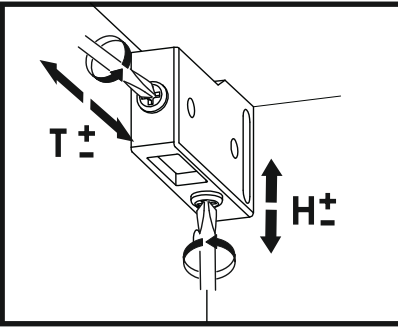
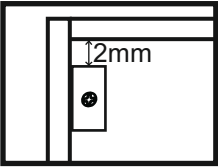
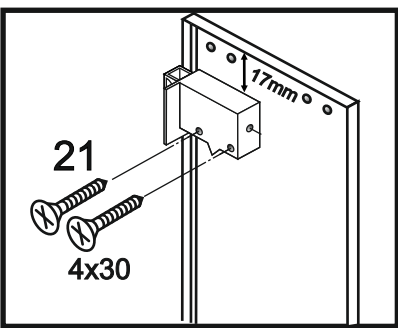


**III**



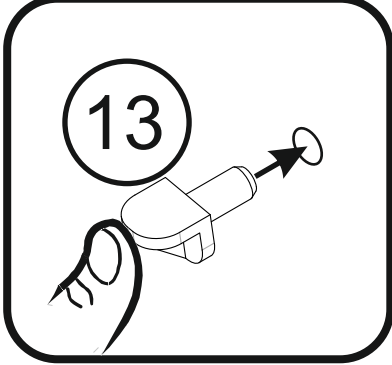
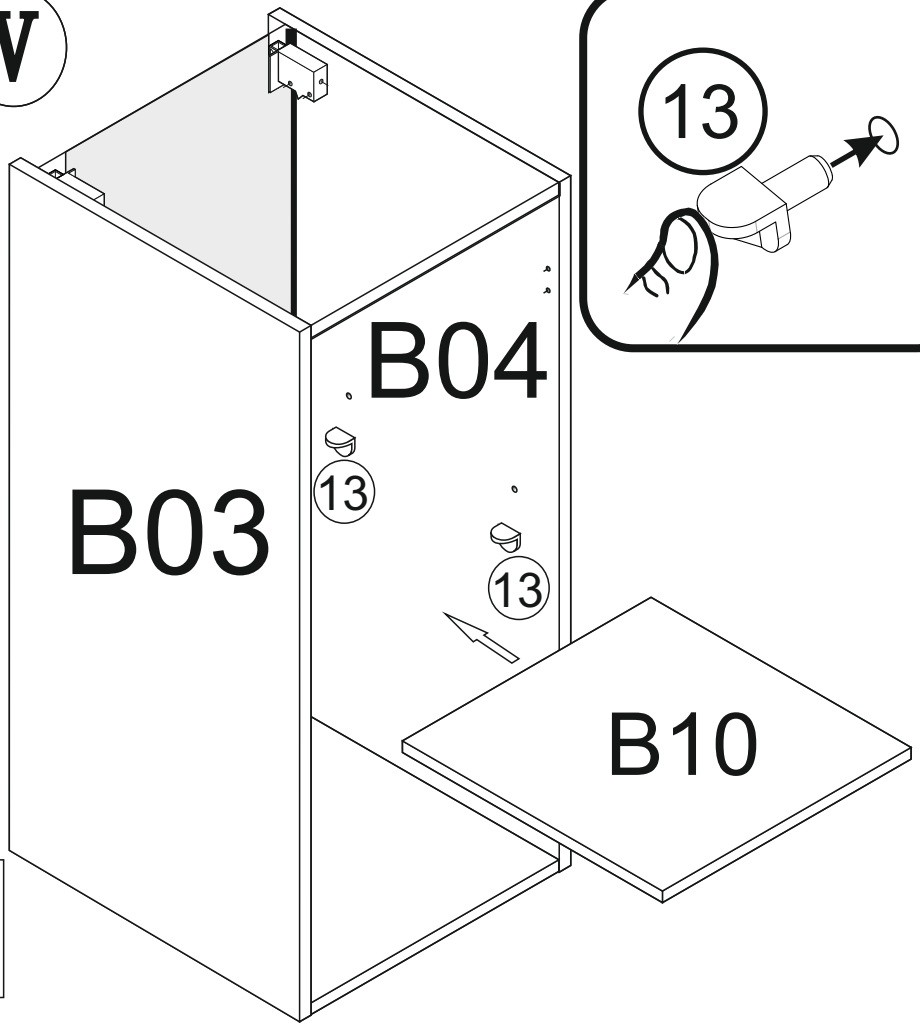
**IV**



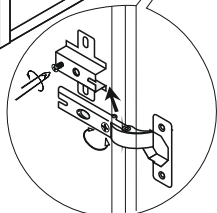
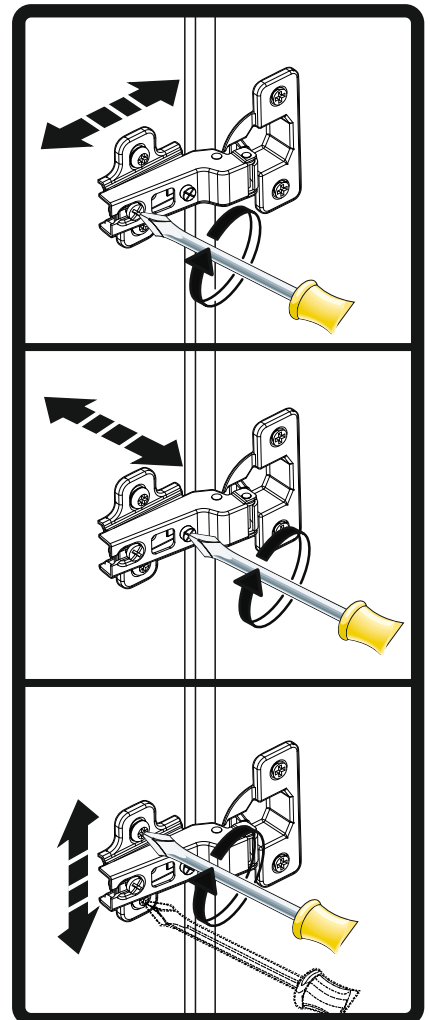
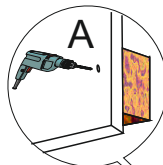
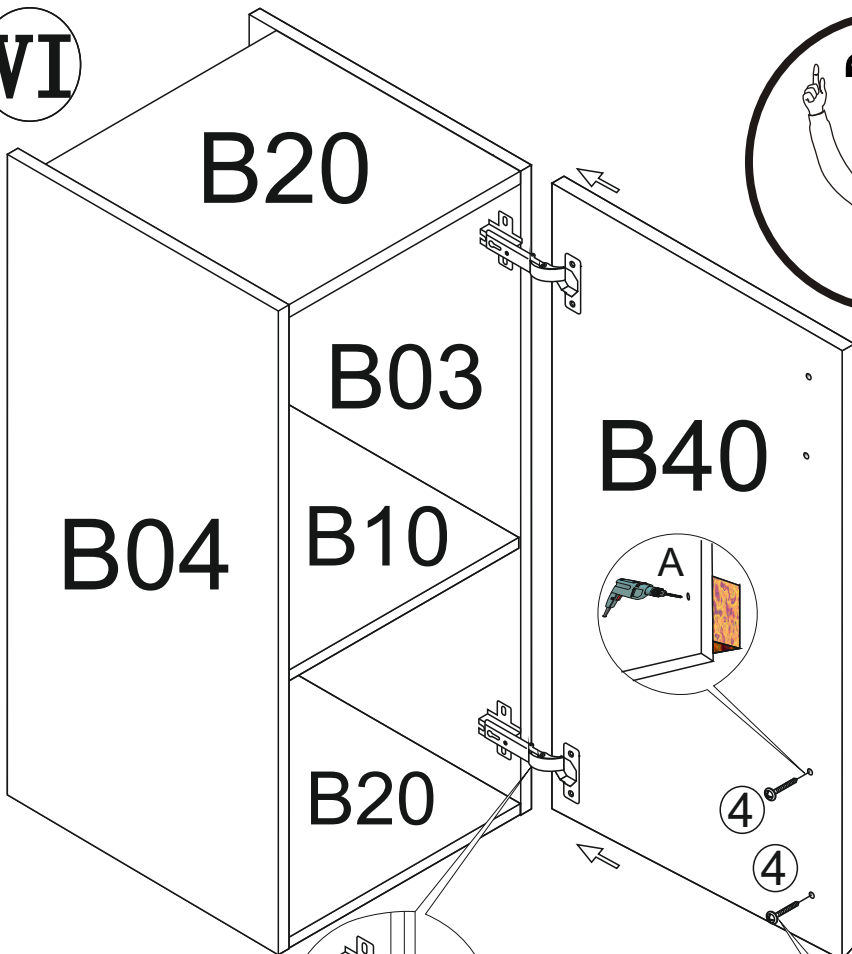


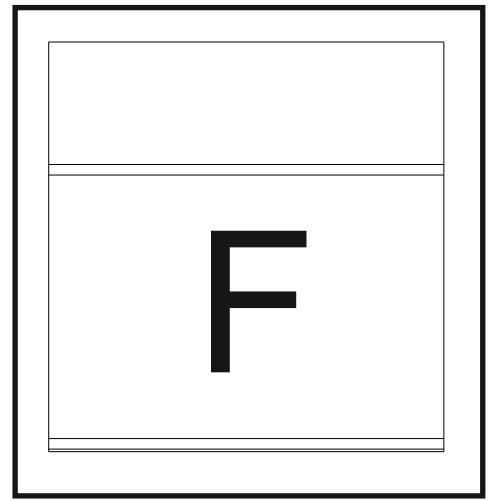
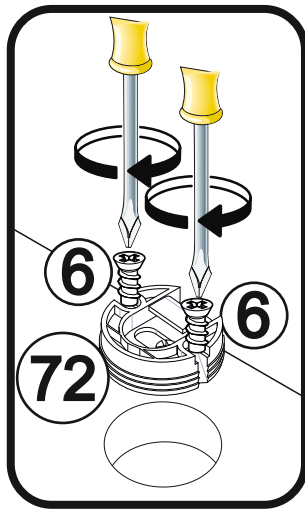
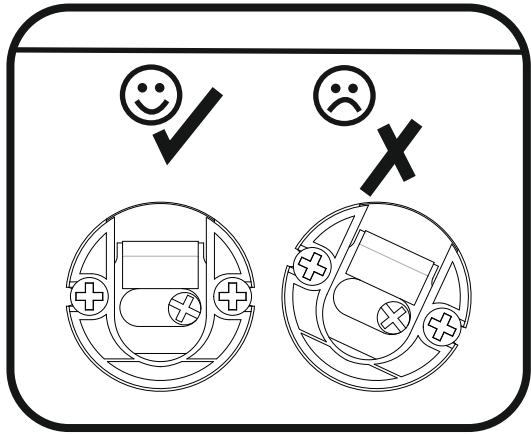
**B40** 646mm x 496mm  
**B10** 467mm x 246mm

**V**

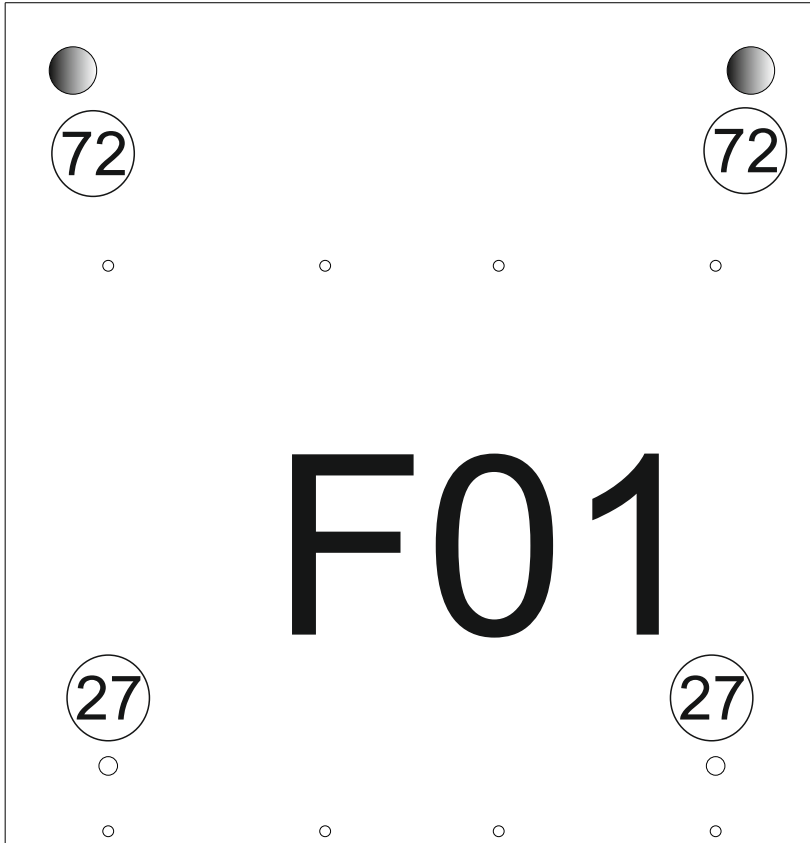


**VI**

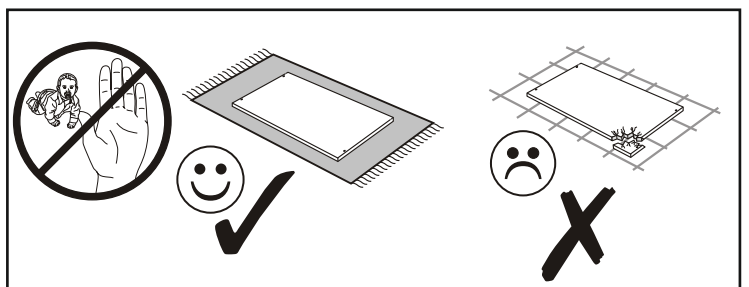
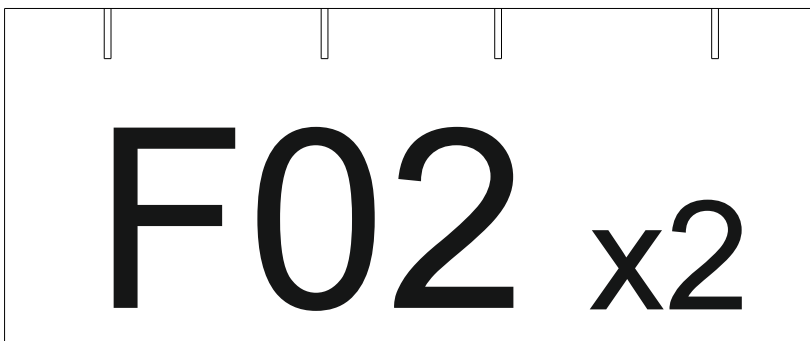




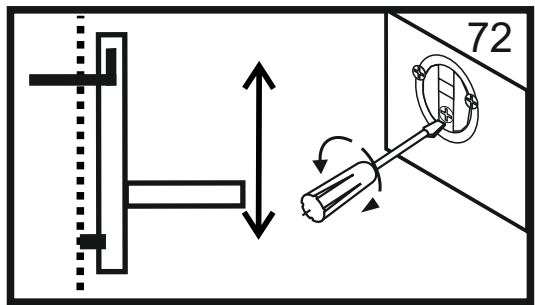
I



F01 500mm x 650mm  
F02 500mm x 246mm



I

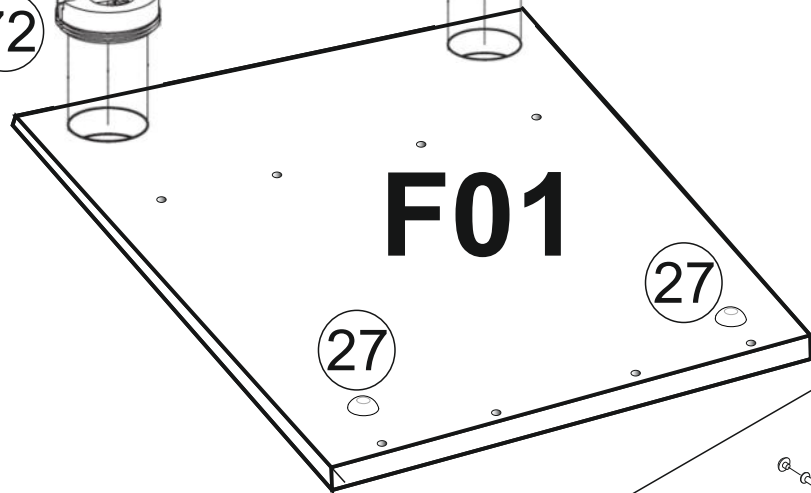


6

6

72

72

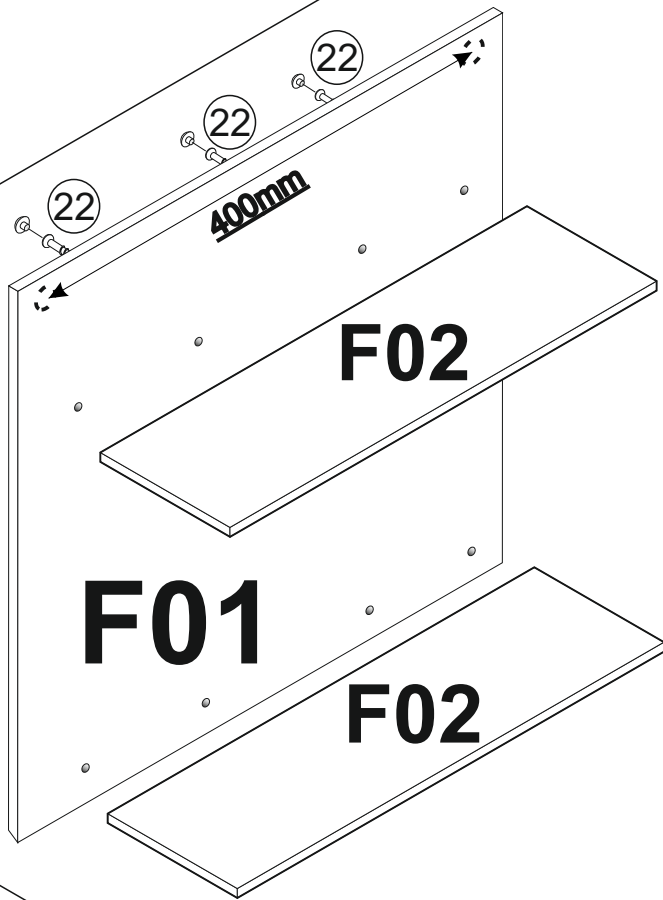


F01

27

27

II



22

22

400mm

F02

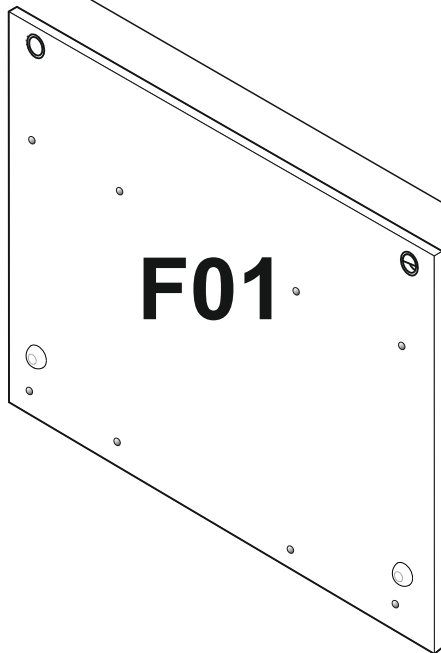
22

F01

F02

22

III



F01

