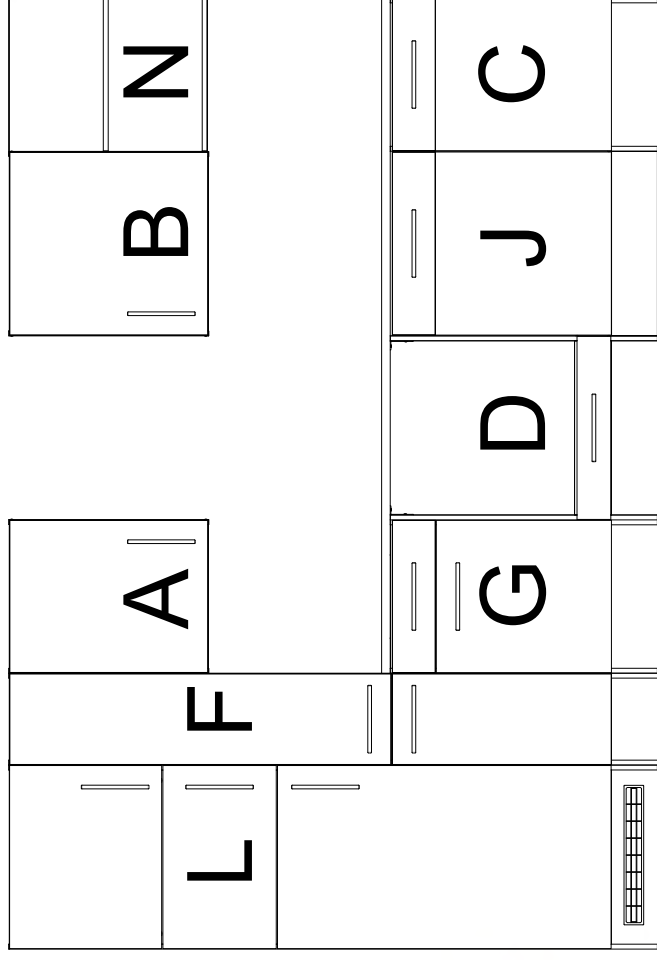
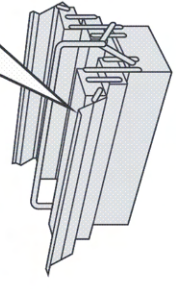
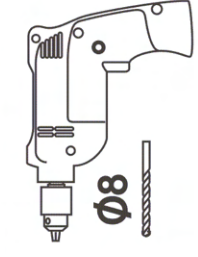
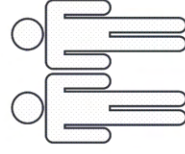
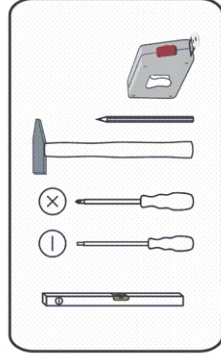
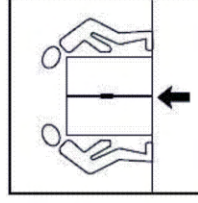
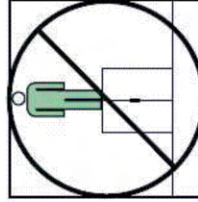
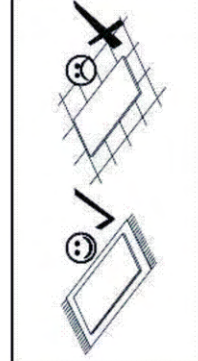
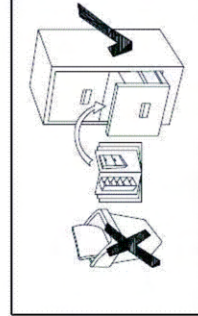
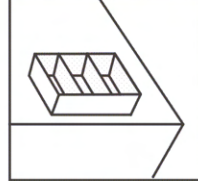
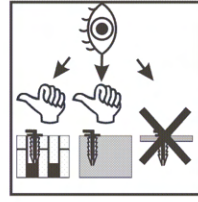
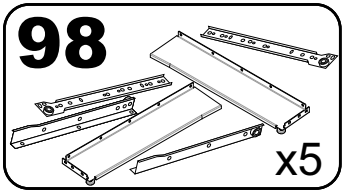
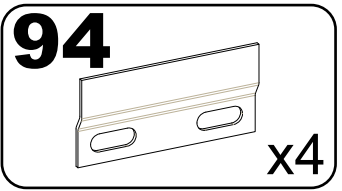
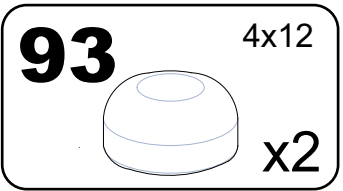
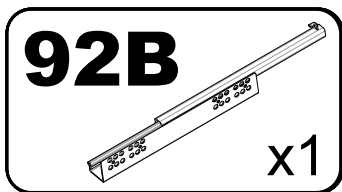
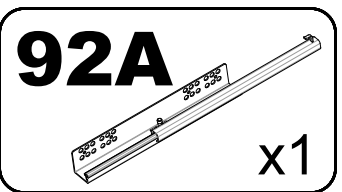
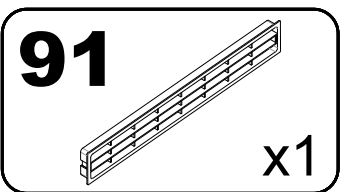
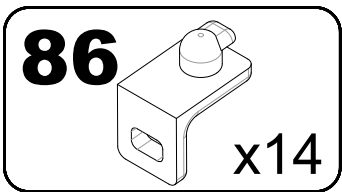
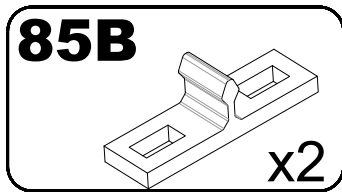
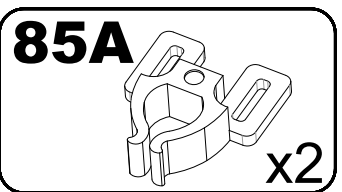
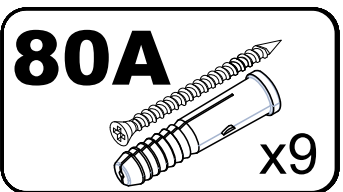
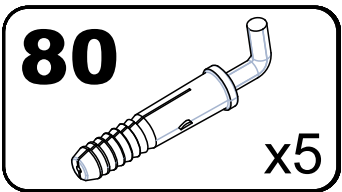
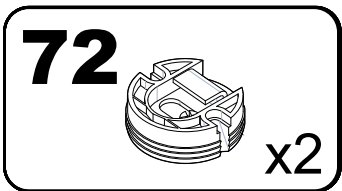
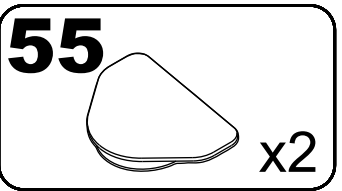
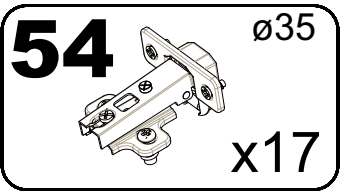
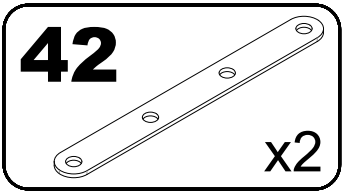
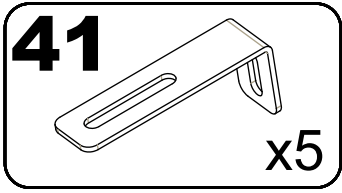
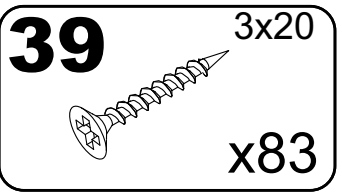
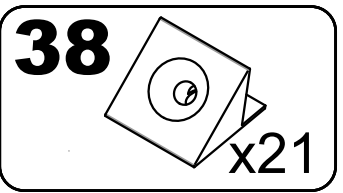
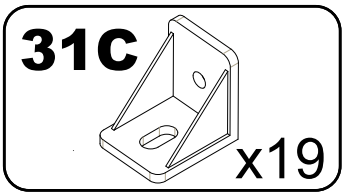
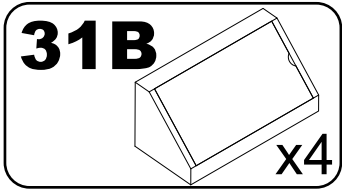
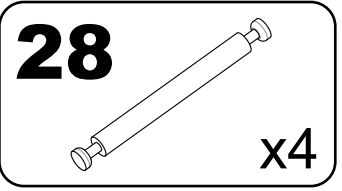
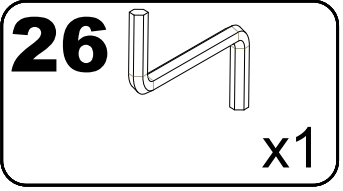
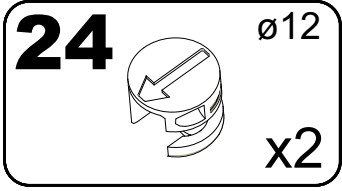
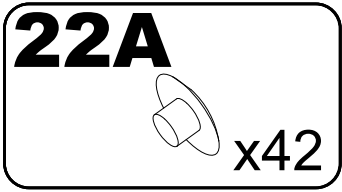
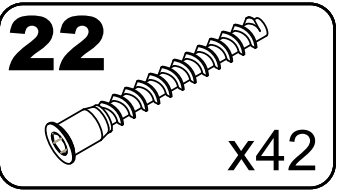
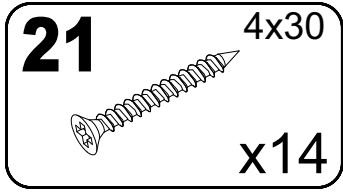
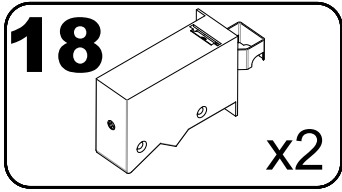
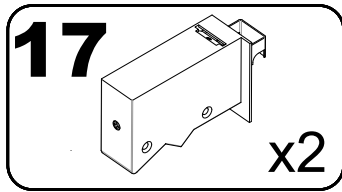
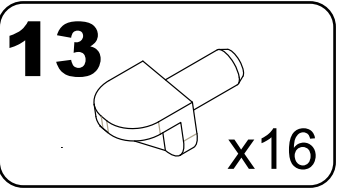
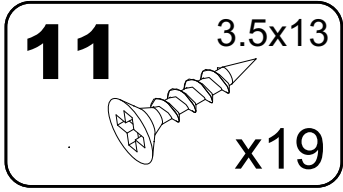
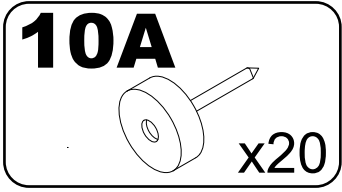
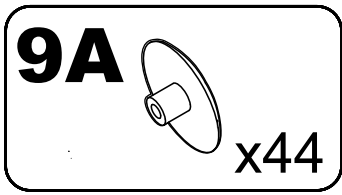
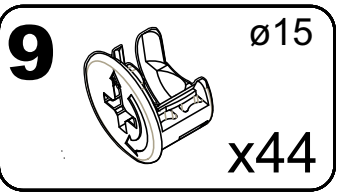
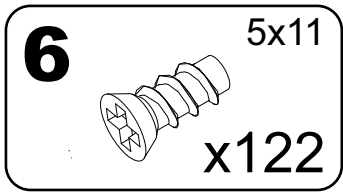
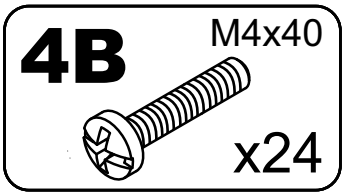
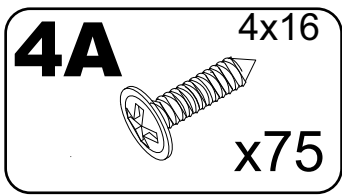
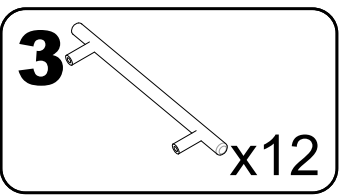
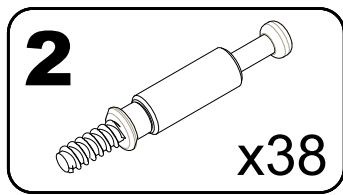
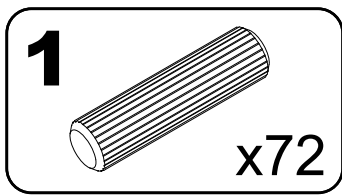


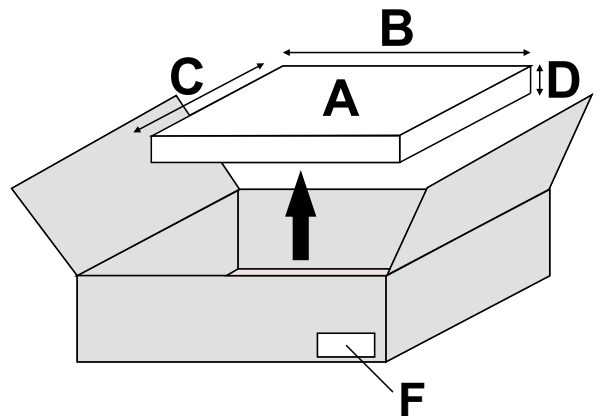
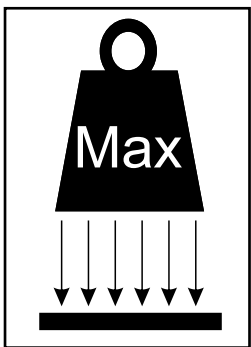
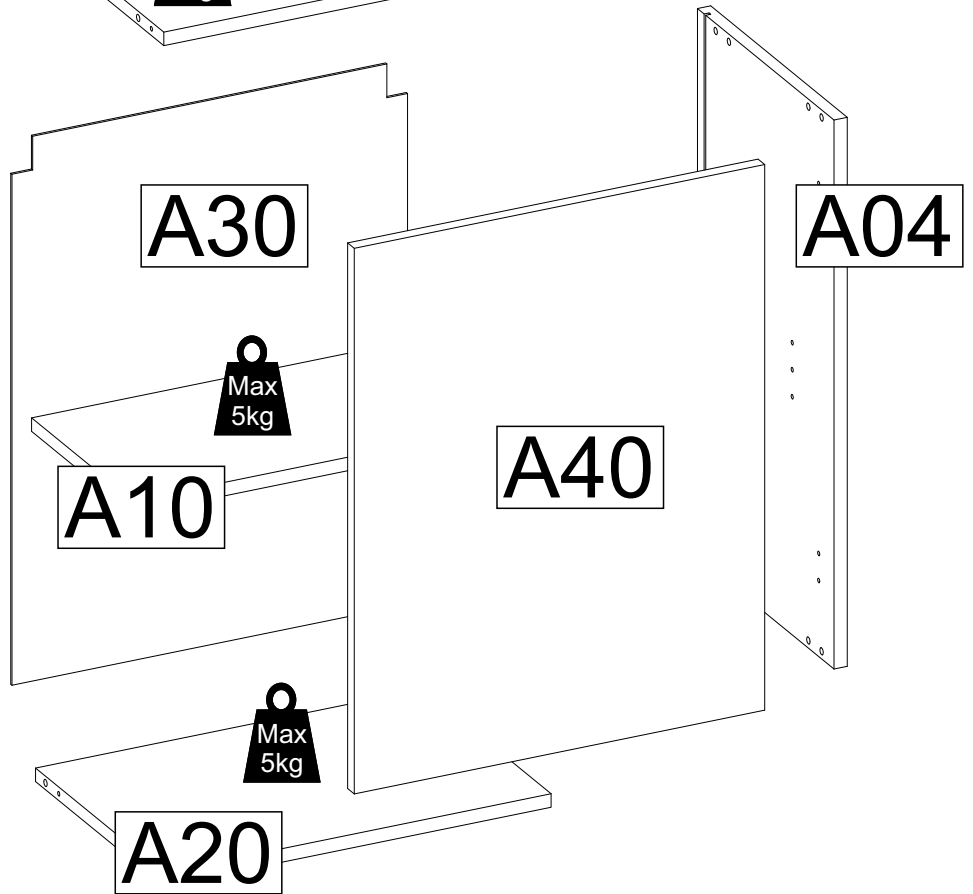
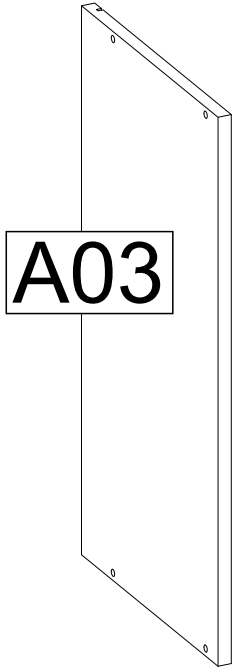
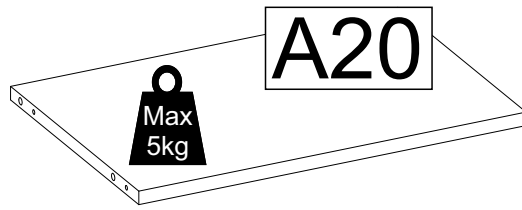
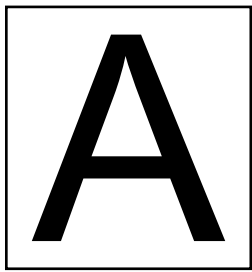
.....  
 serie: xxx  
 .....  
 Hergestellt für:  
 .....  
 .....



300 min

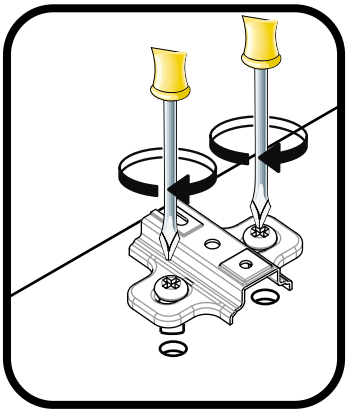
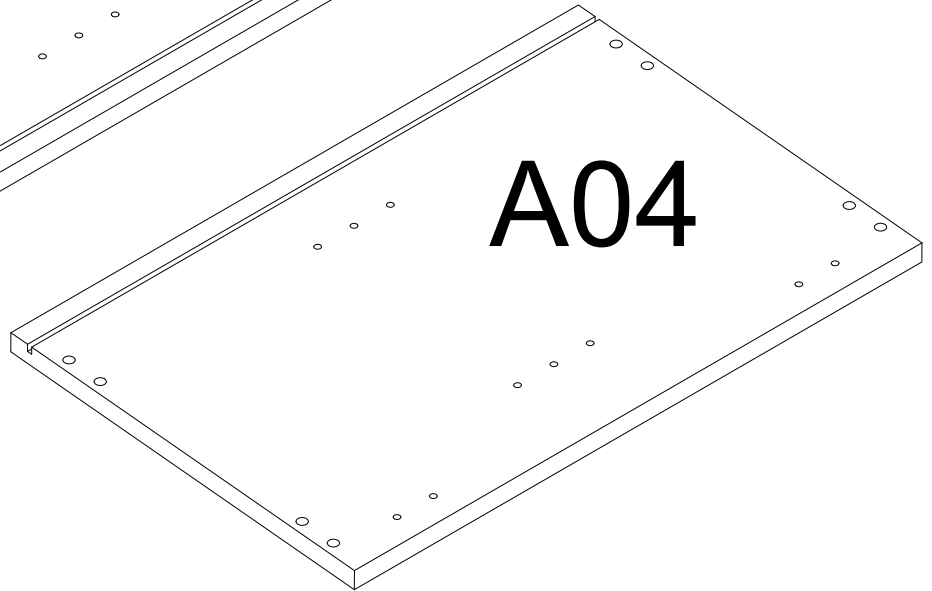
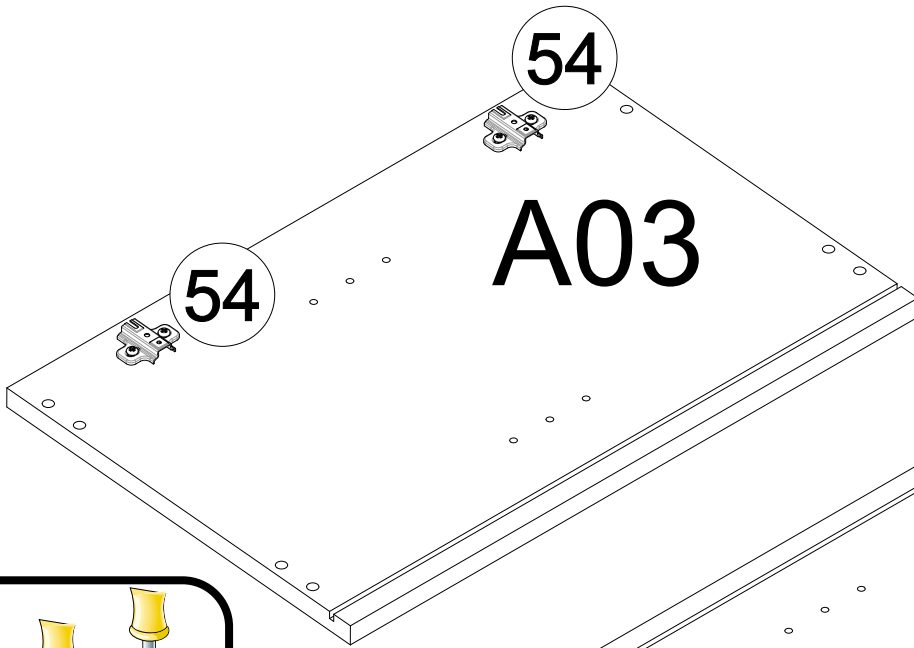
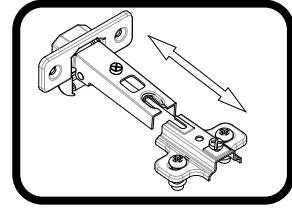
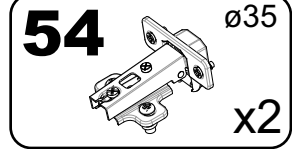




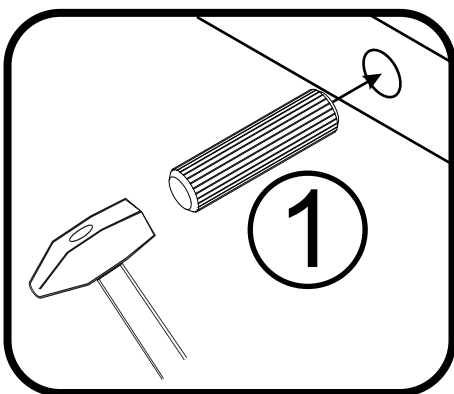
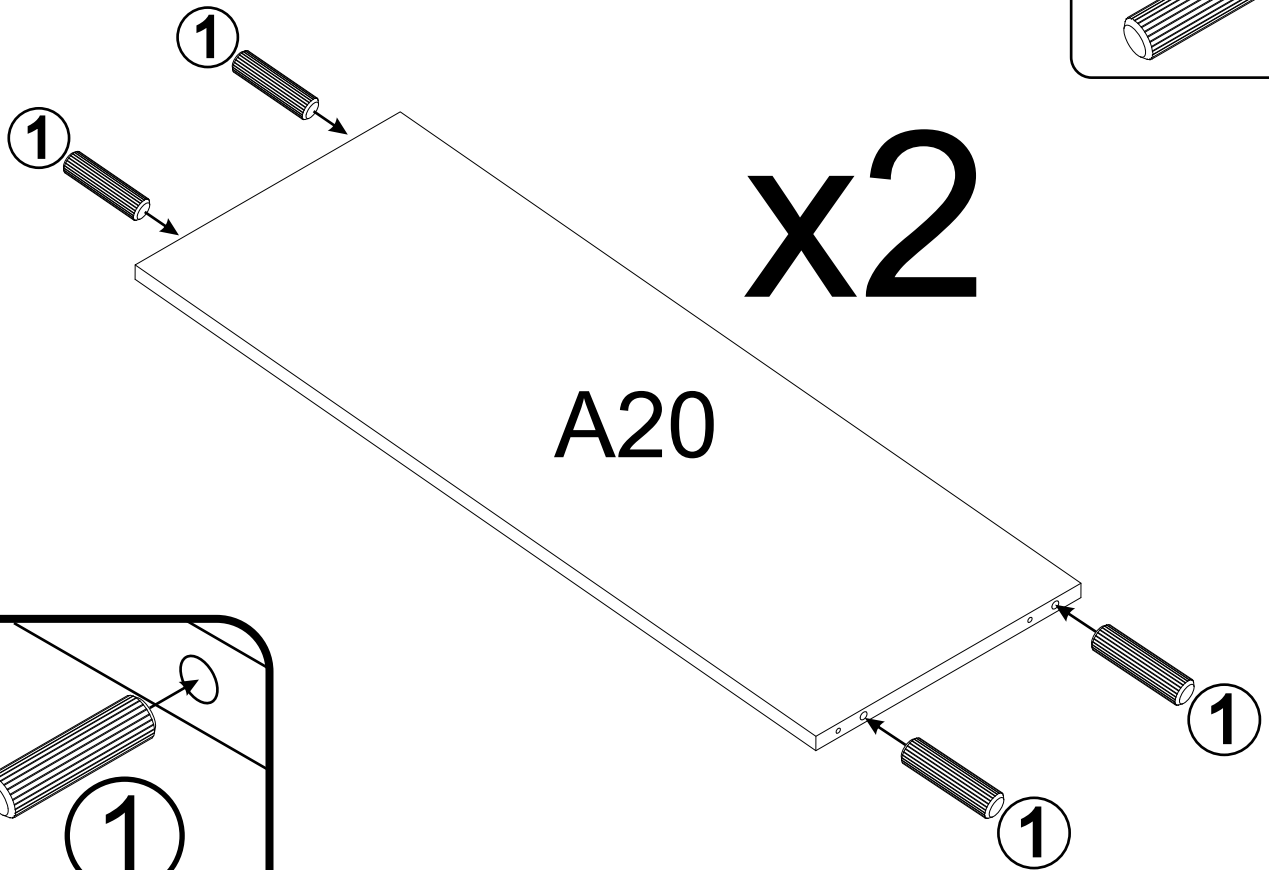
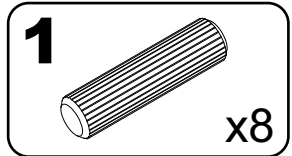


A	B_(mm)	C_(mm)	D_(mm)	E	F
A03	650	330	16	1	2 10
A04	650	330	16	1	2 10
A10	468	246	16	1	2 10
A20	468	310	16	2	3 10
A30	645	478	3	1	3 10
A40	646	496	16	1	3 10

**1**

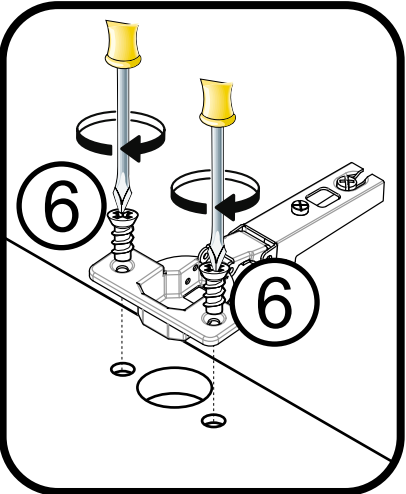
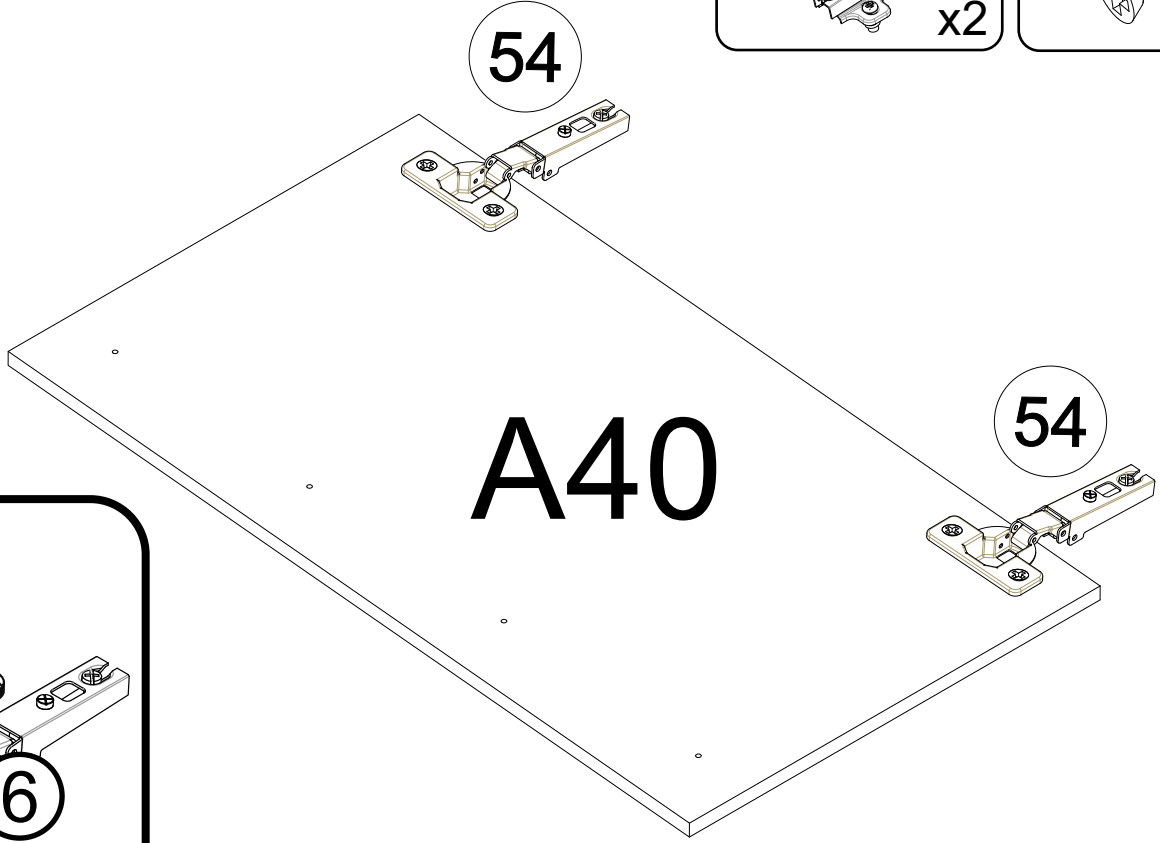
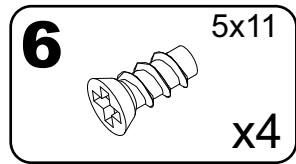
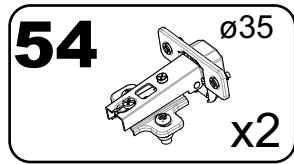


**2**

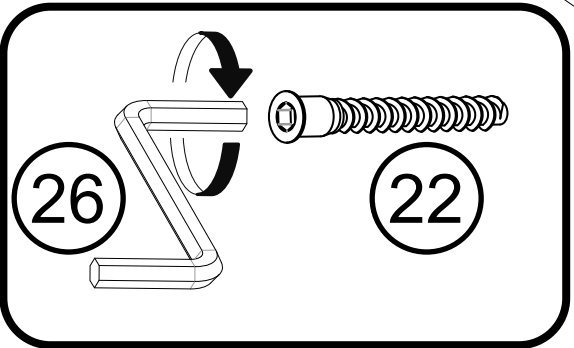
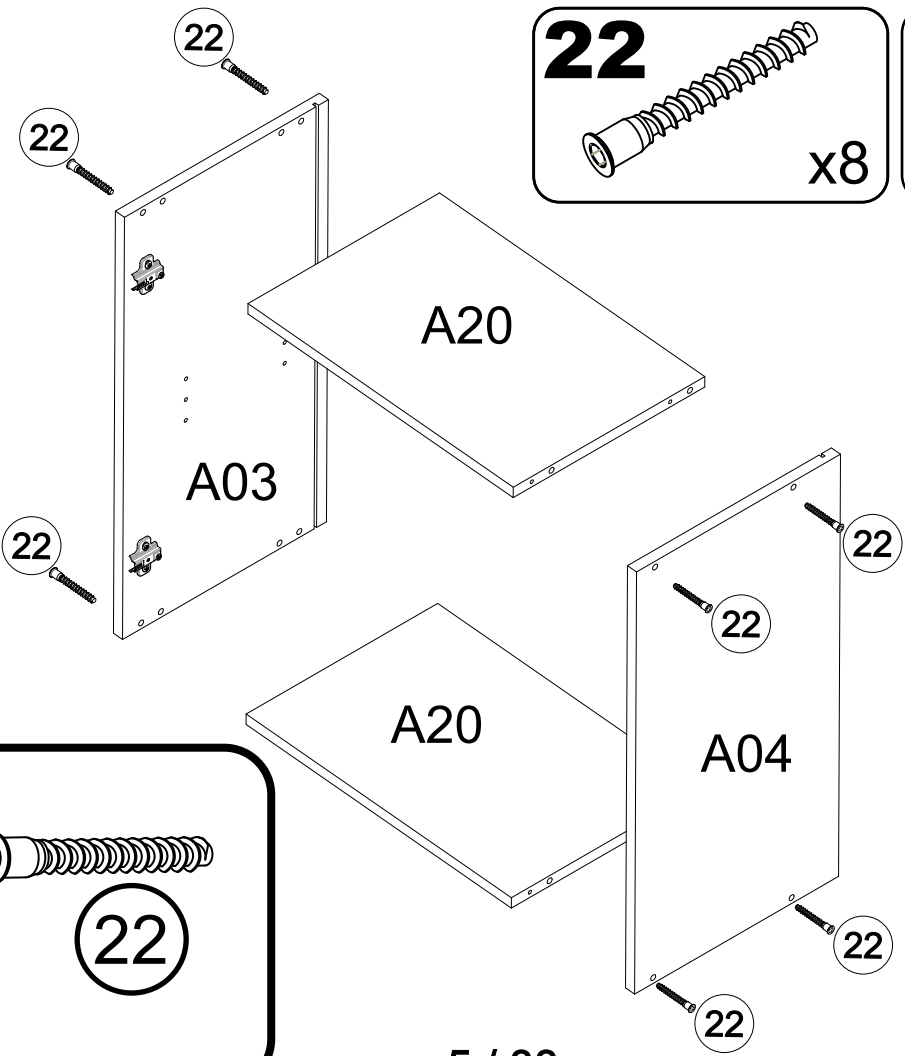
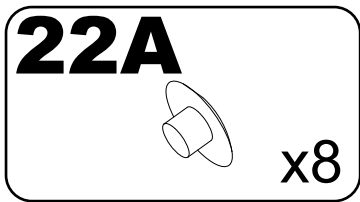
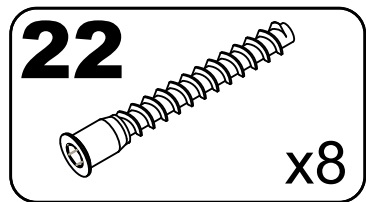




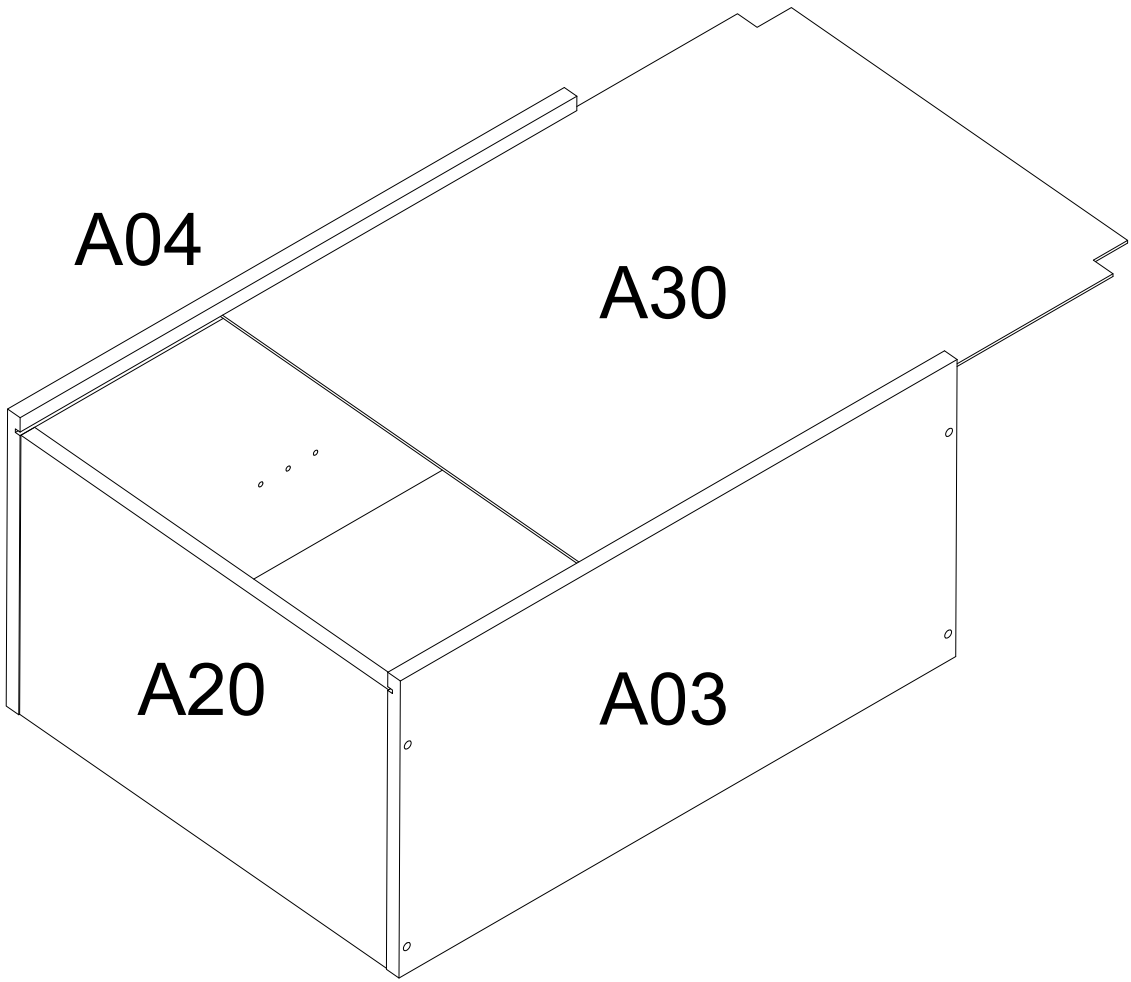
# 3



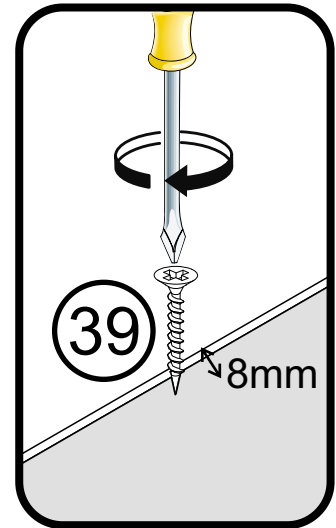
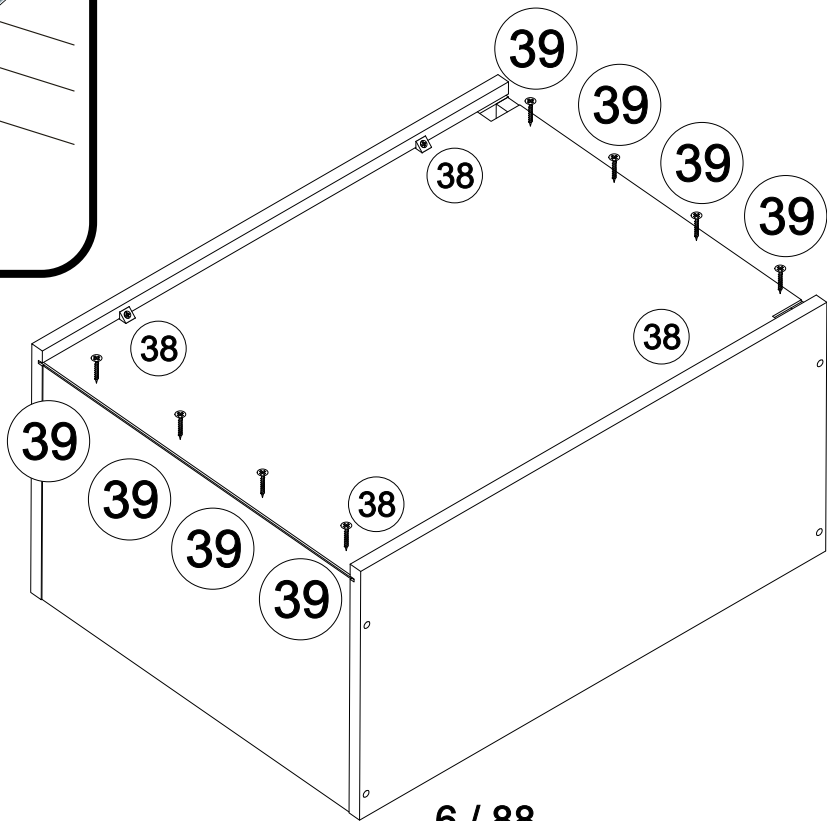
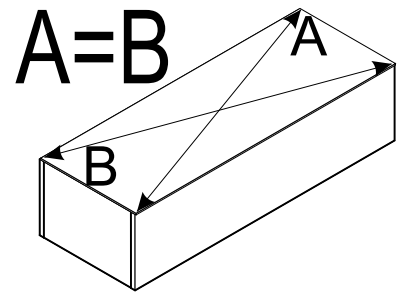
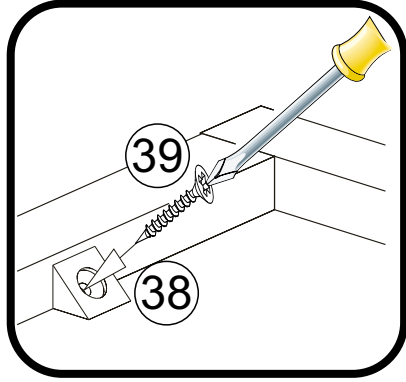
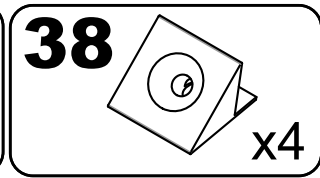
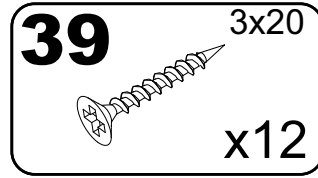
# 4



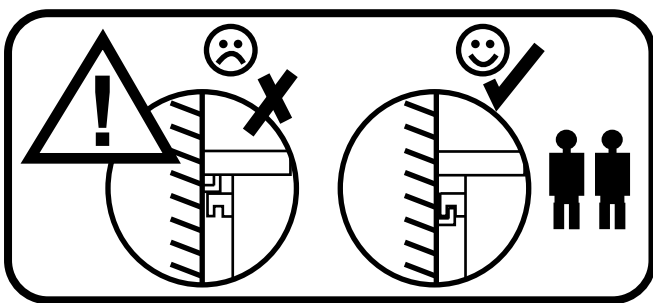
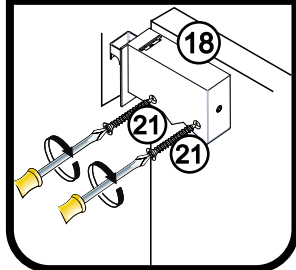
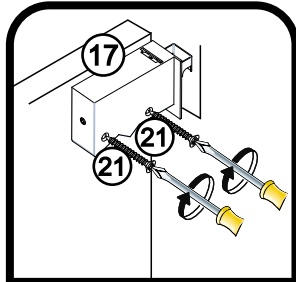
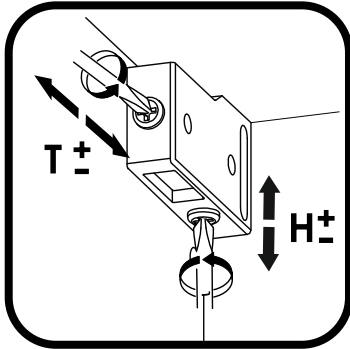
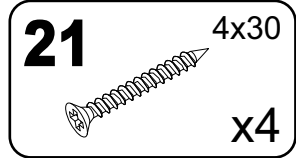
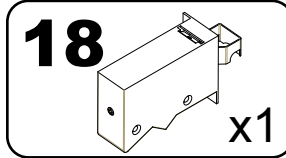
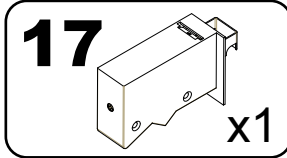
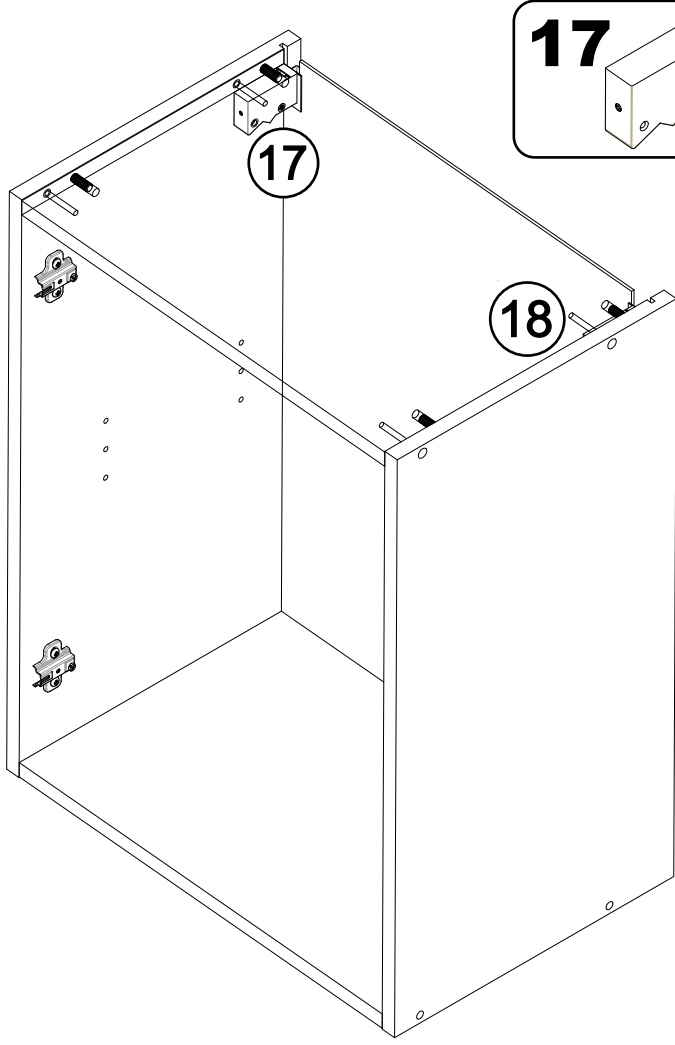
# 5



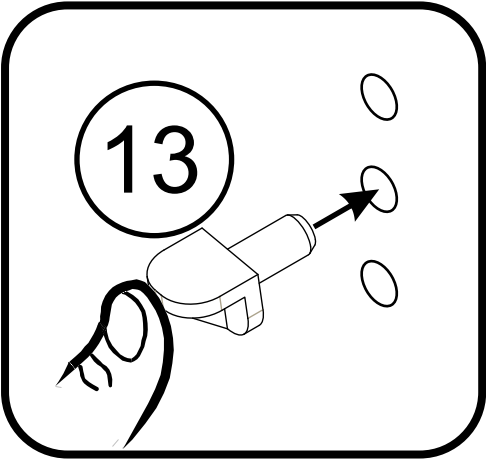
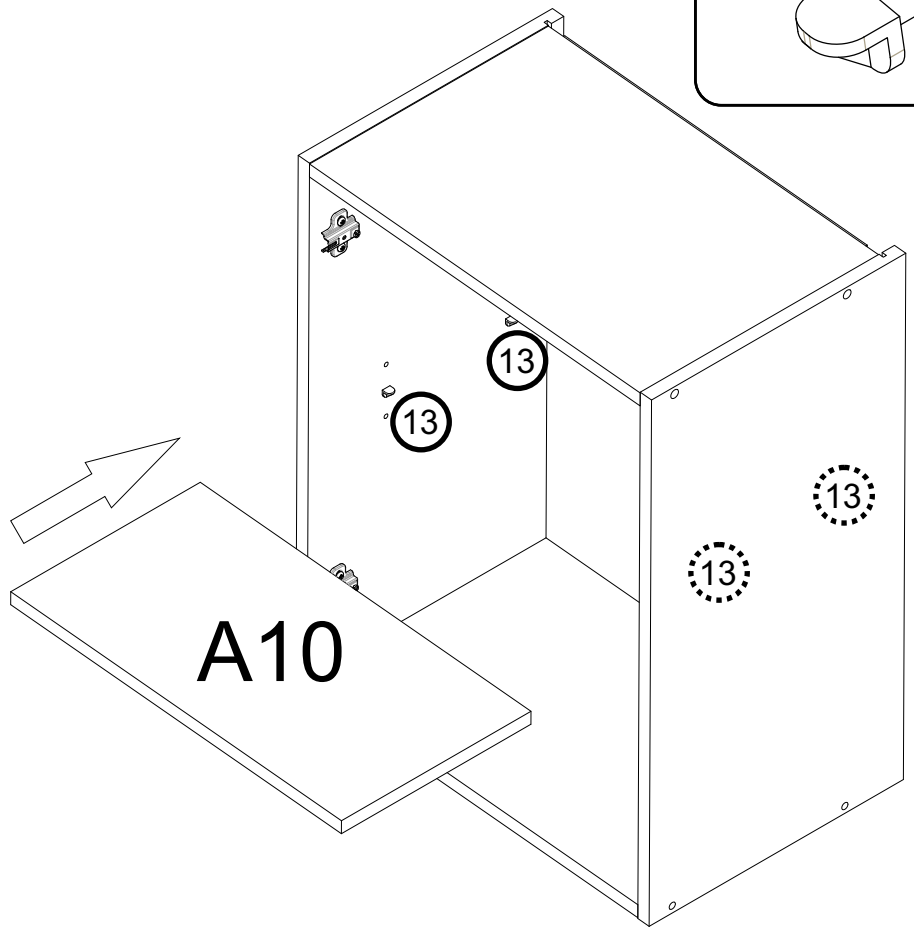
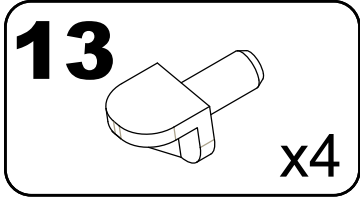
# 6



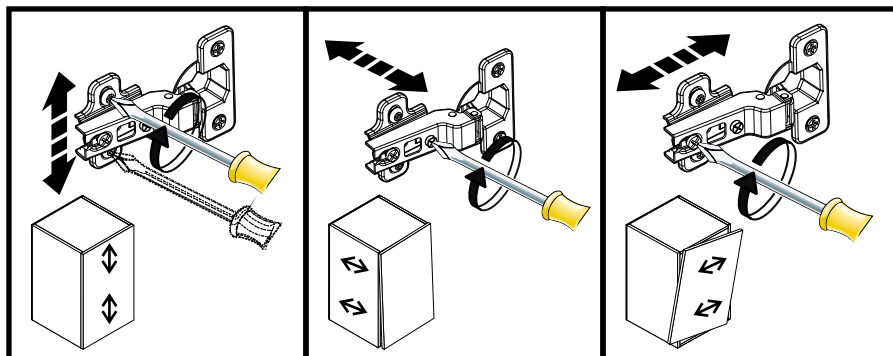
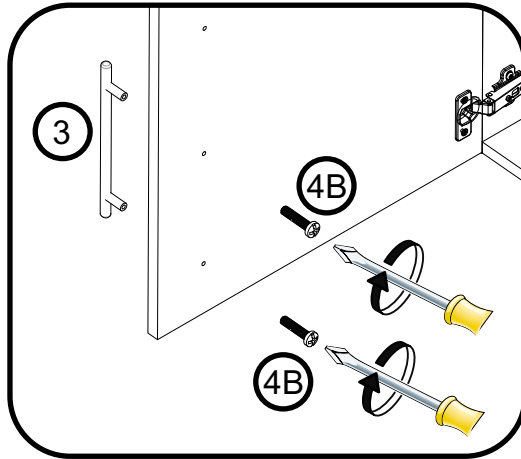
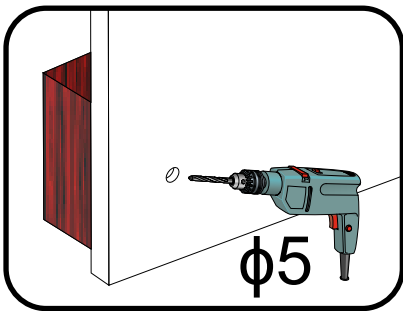
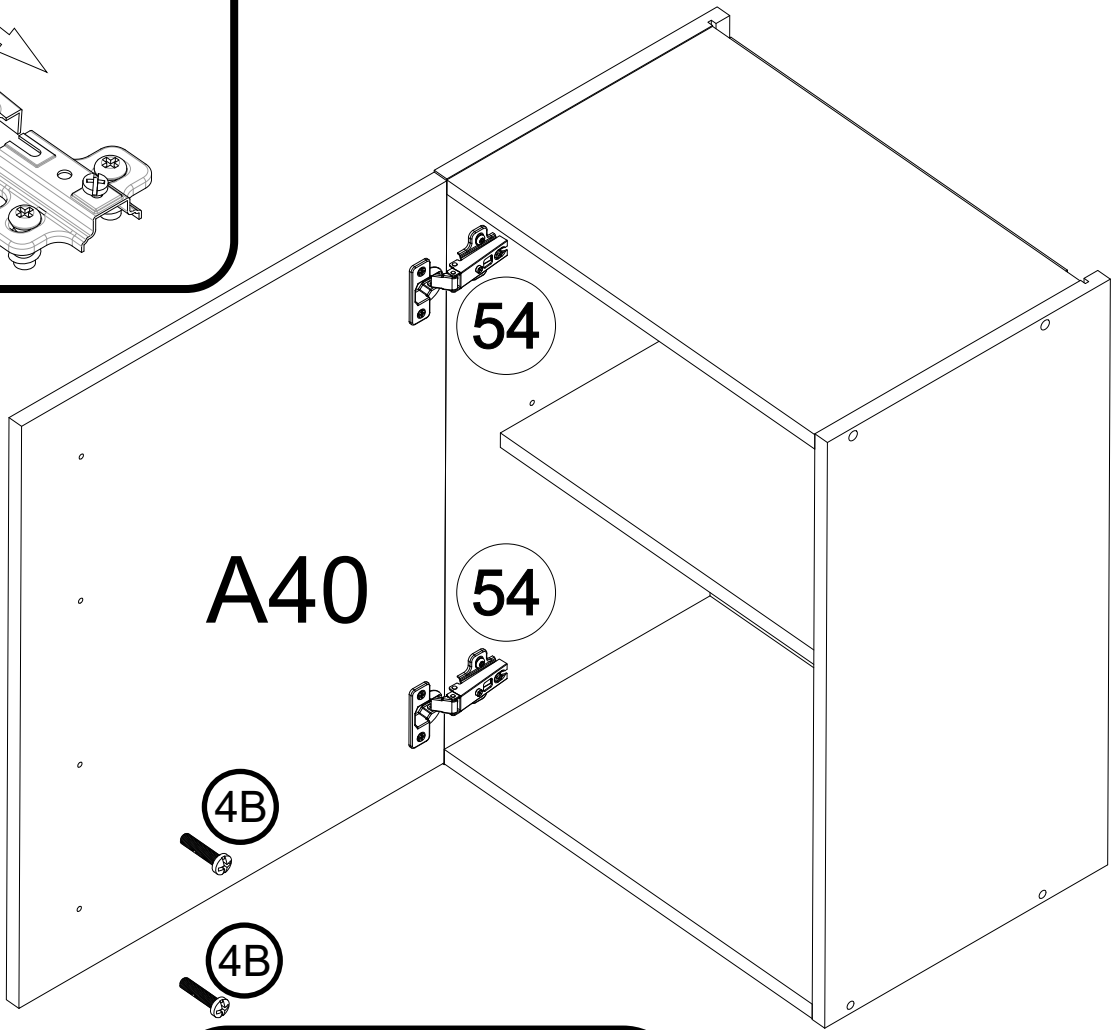
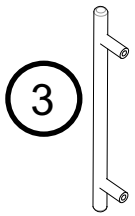
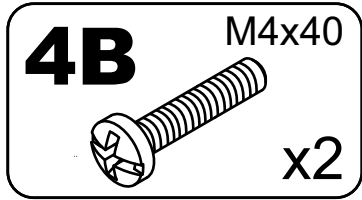
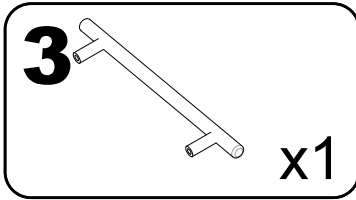
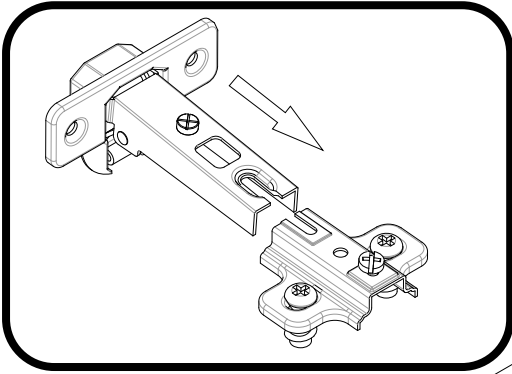
7



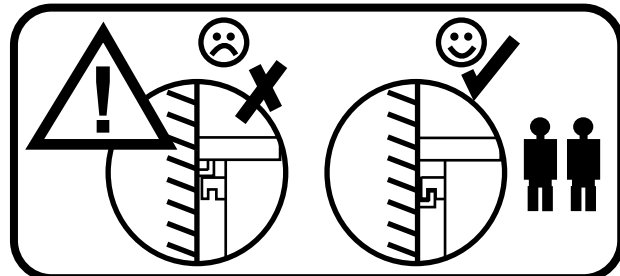
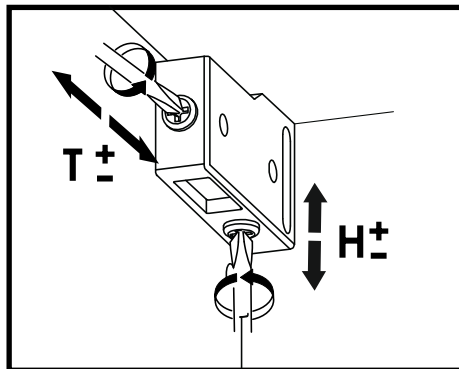
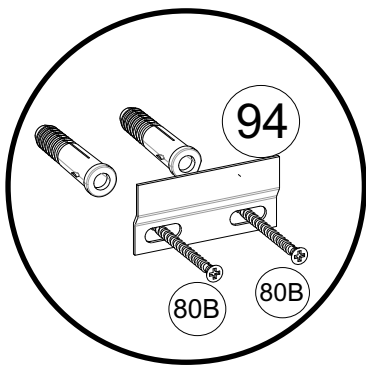
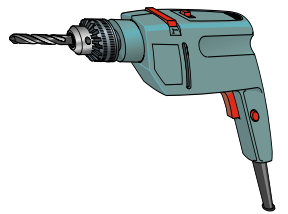
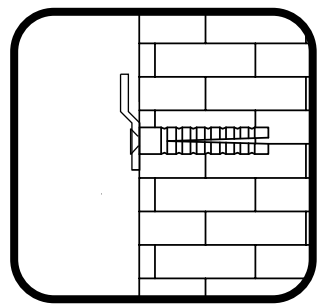
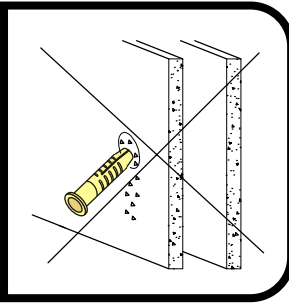
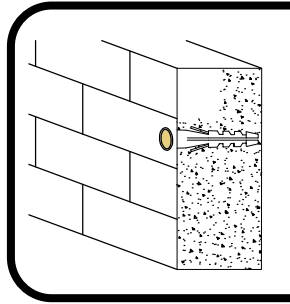
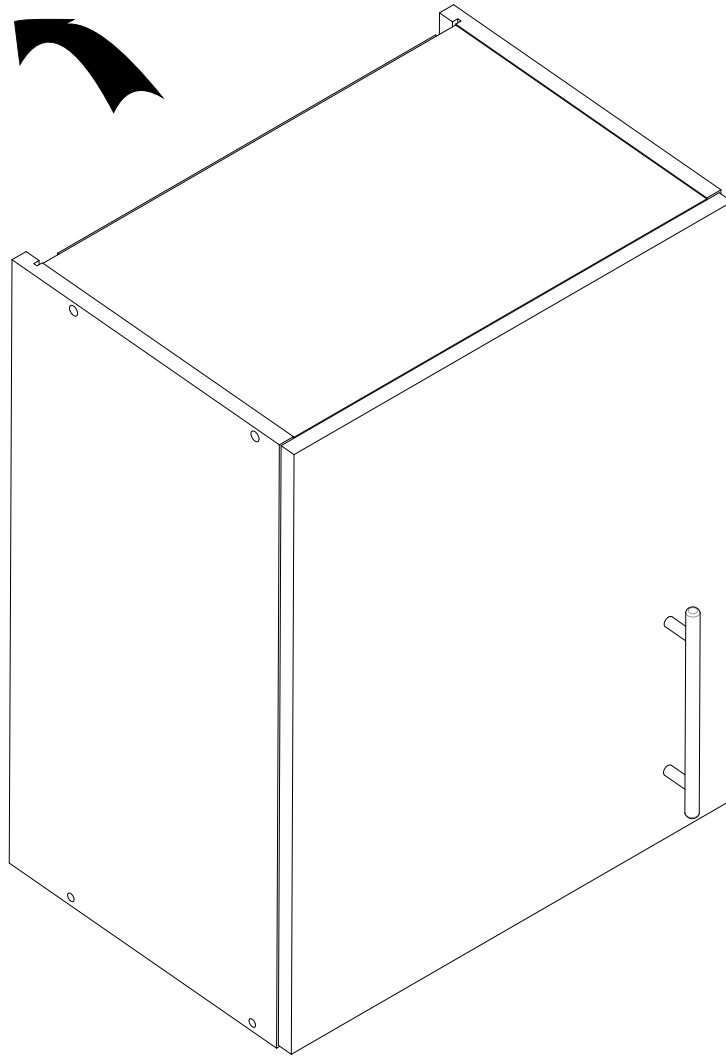
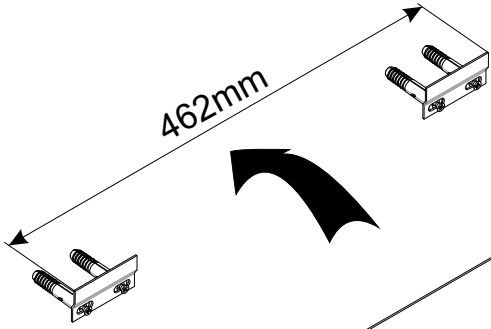
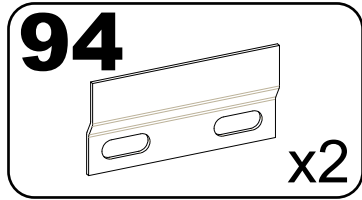
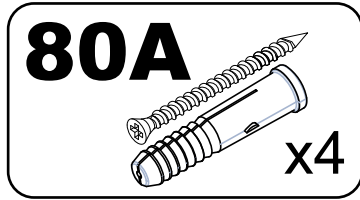
8



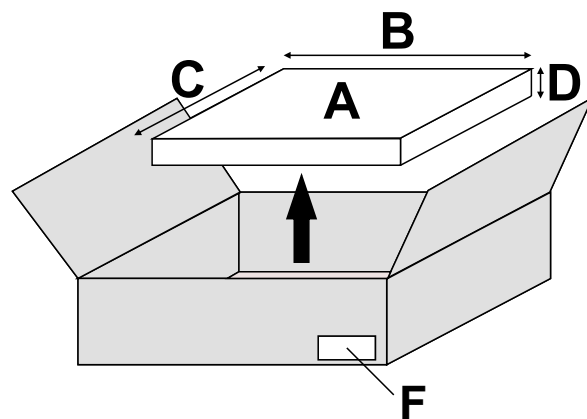
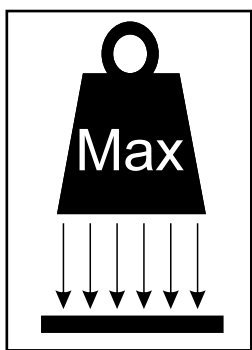
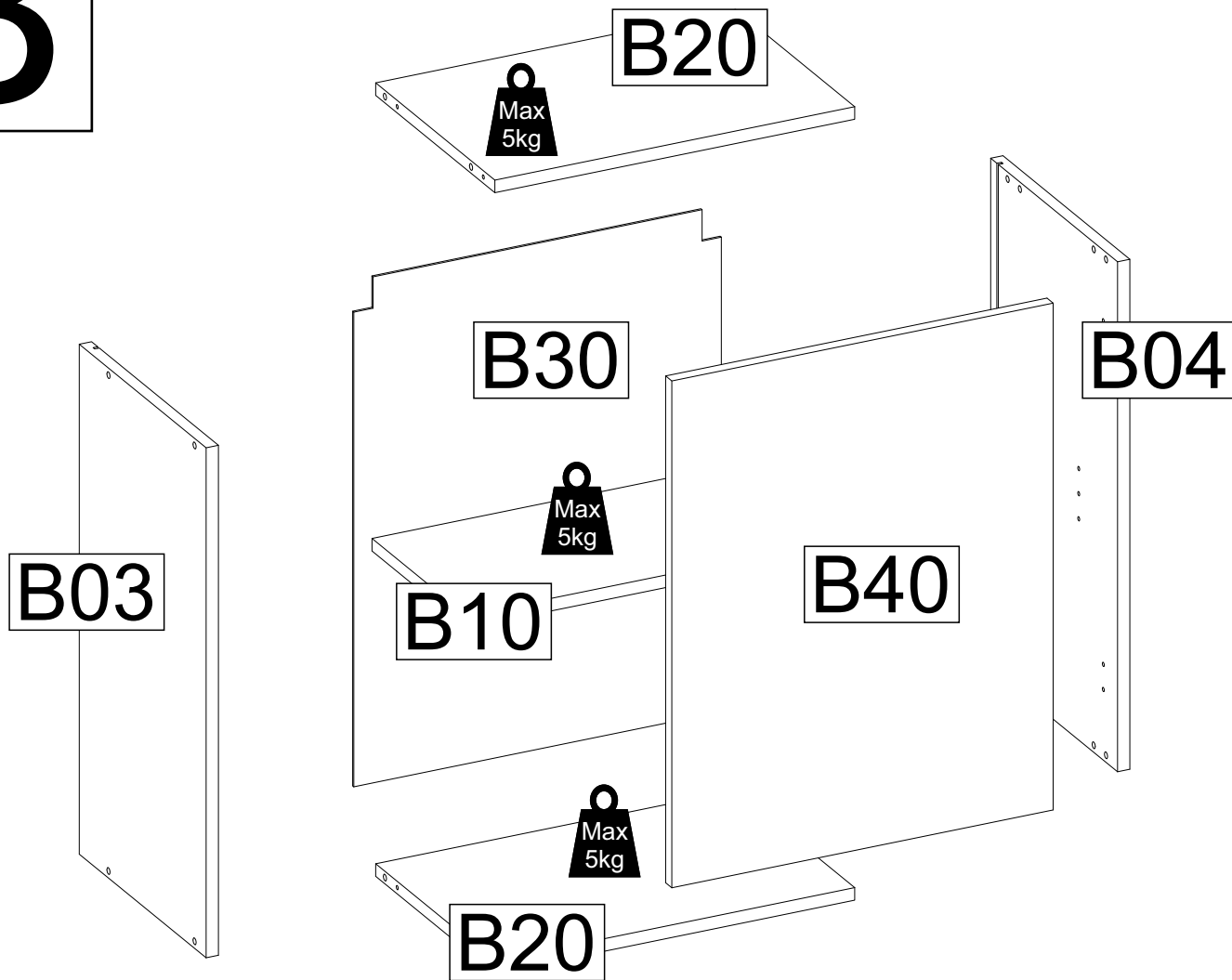
9



# 10



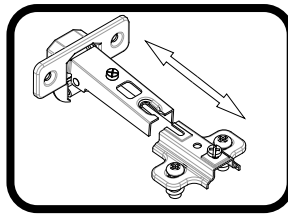
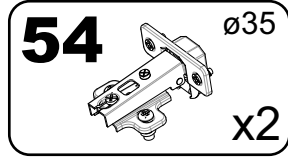
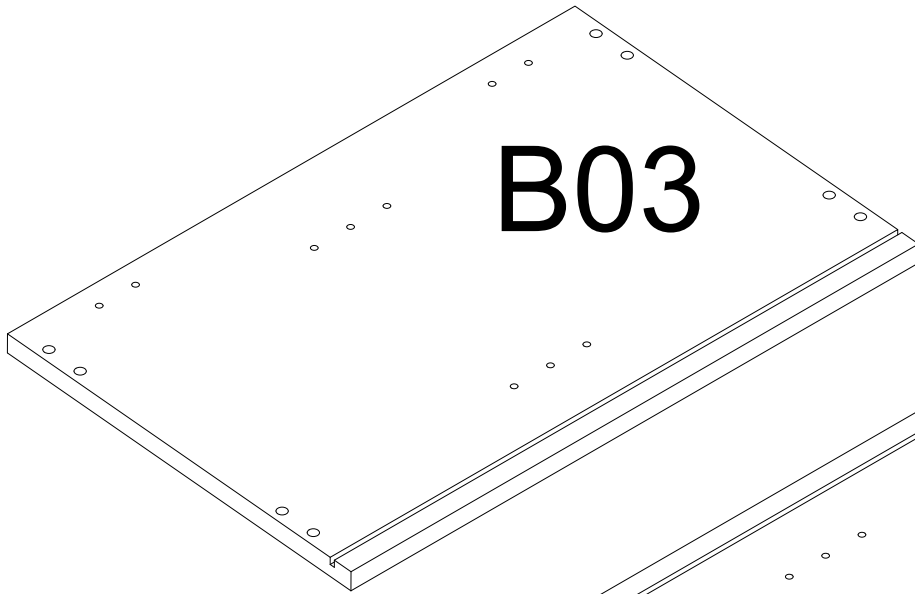
# B



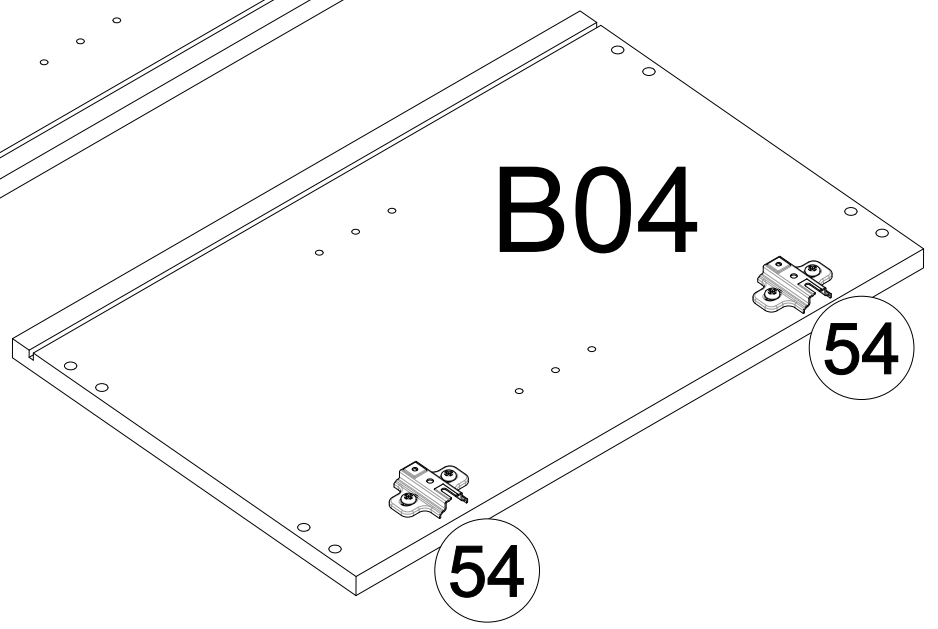
A	B_(mm)	C_(mm)	D_(mm)	E	F
B03	650	330	16	1	2 10
B04	650	330	16	1	2 10
B10	568	246	16	1	2 10
B20	568	310	16	2	3 10
B30	645	578	3	1	3 10
B40	646	596	16	1	3 10



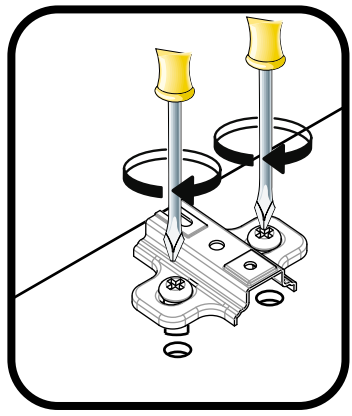
**1**



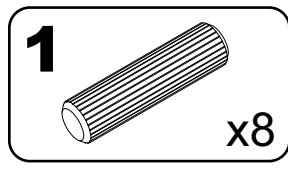
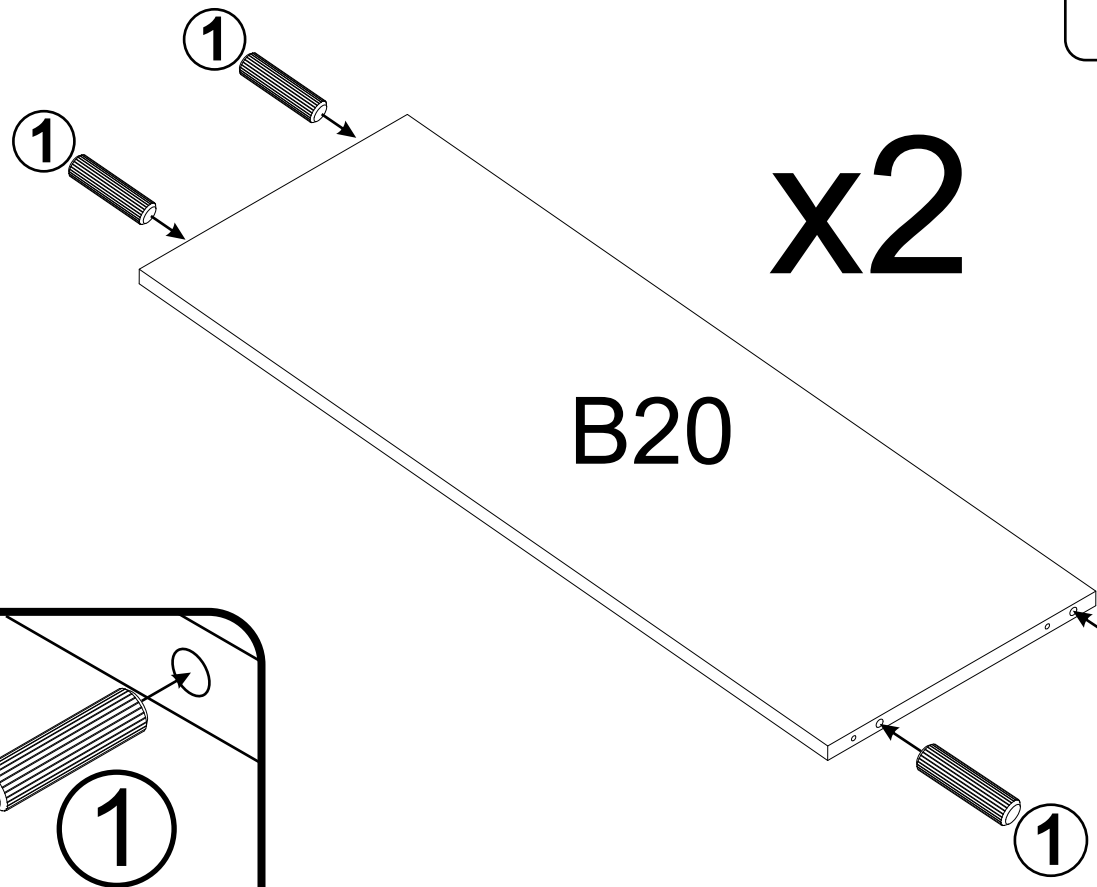
**B03**



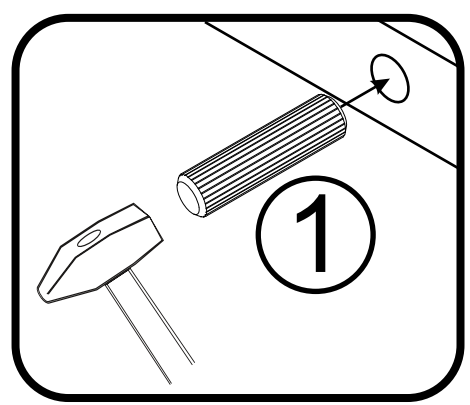
**B04**



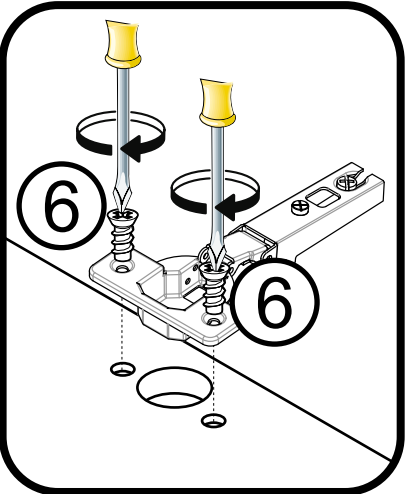
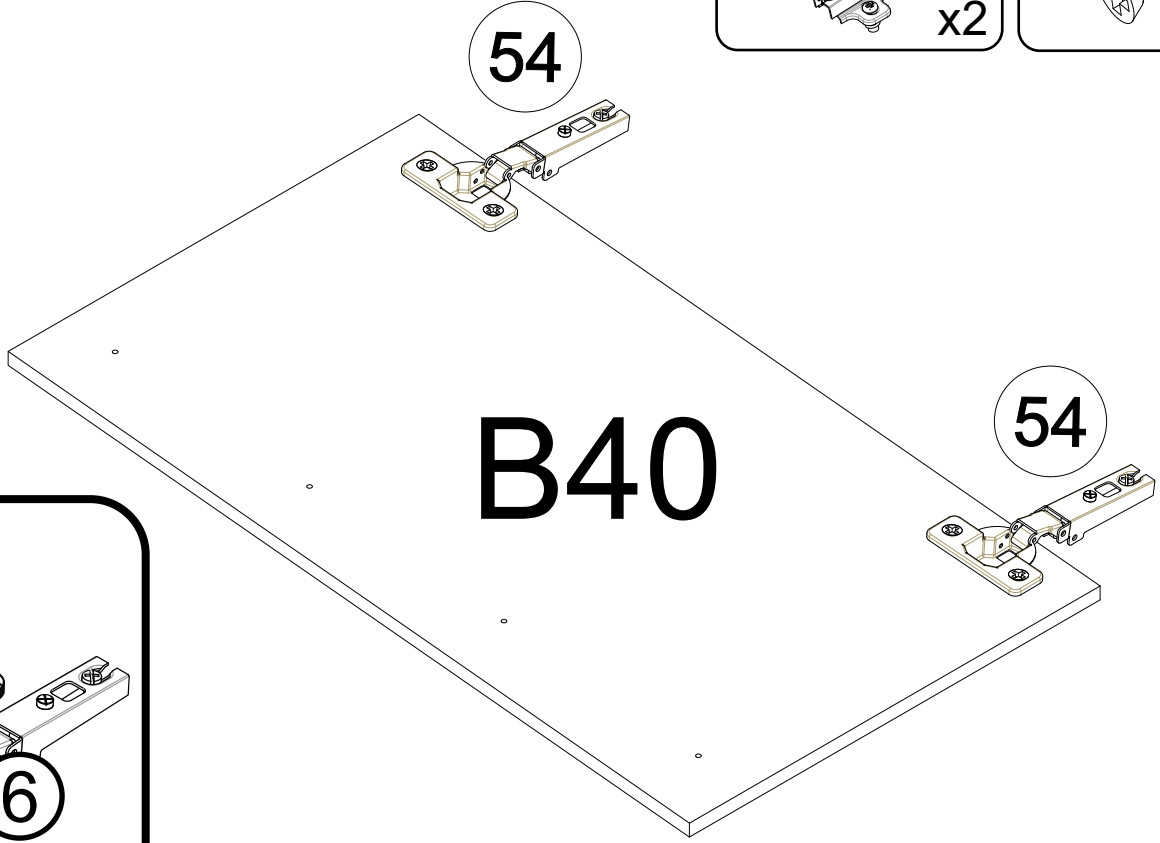
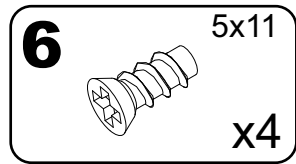
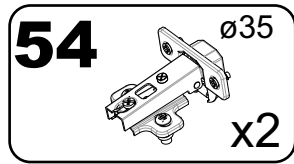
**2**



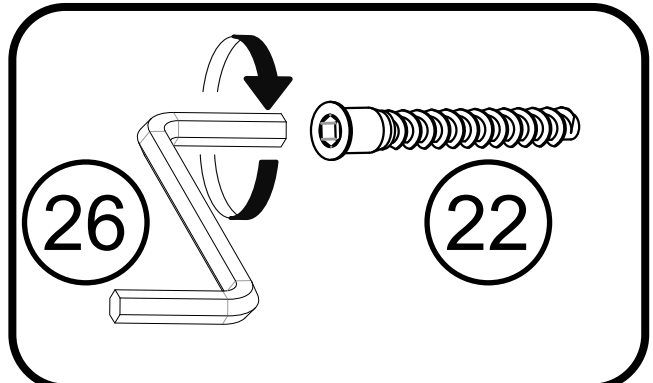
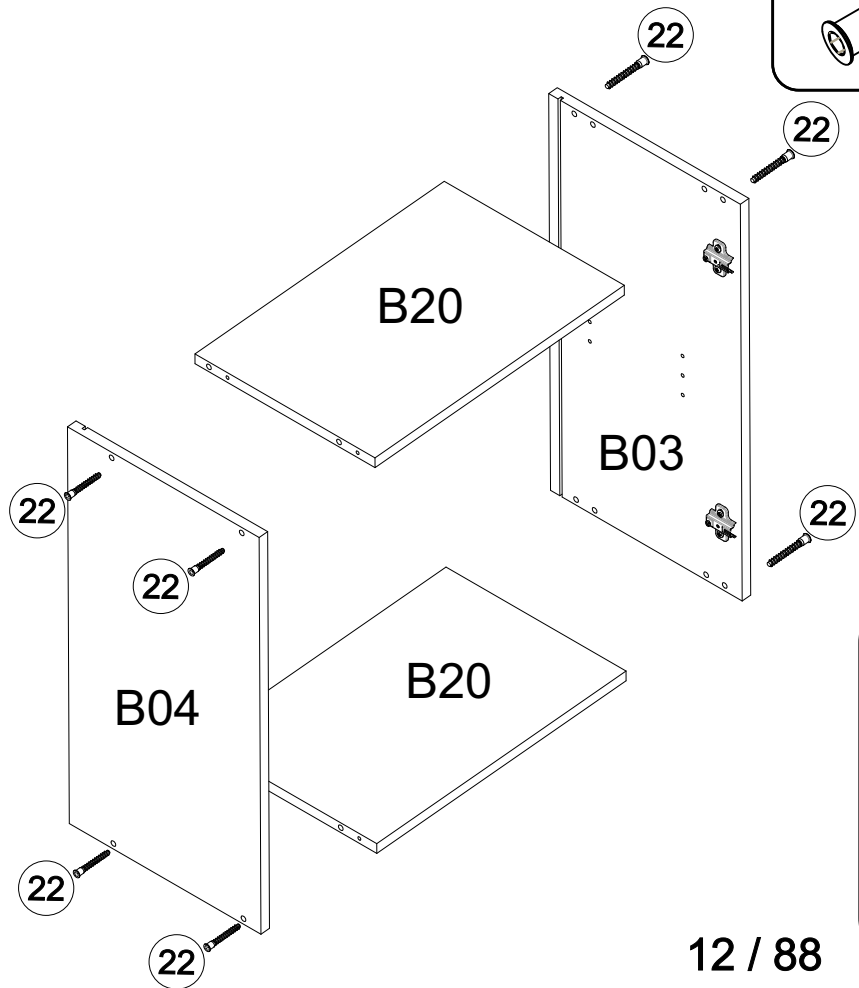
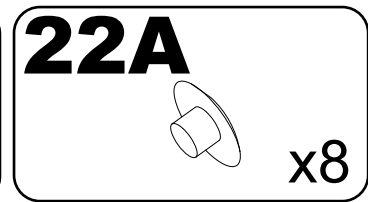
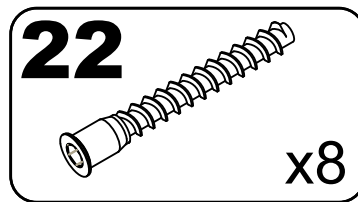
**B20**



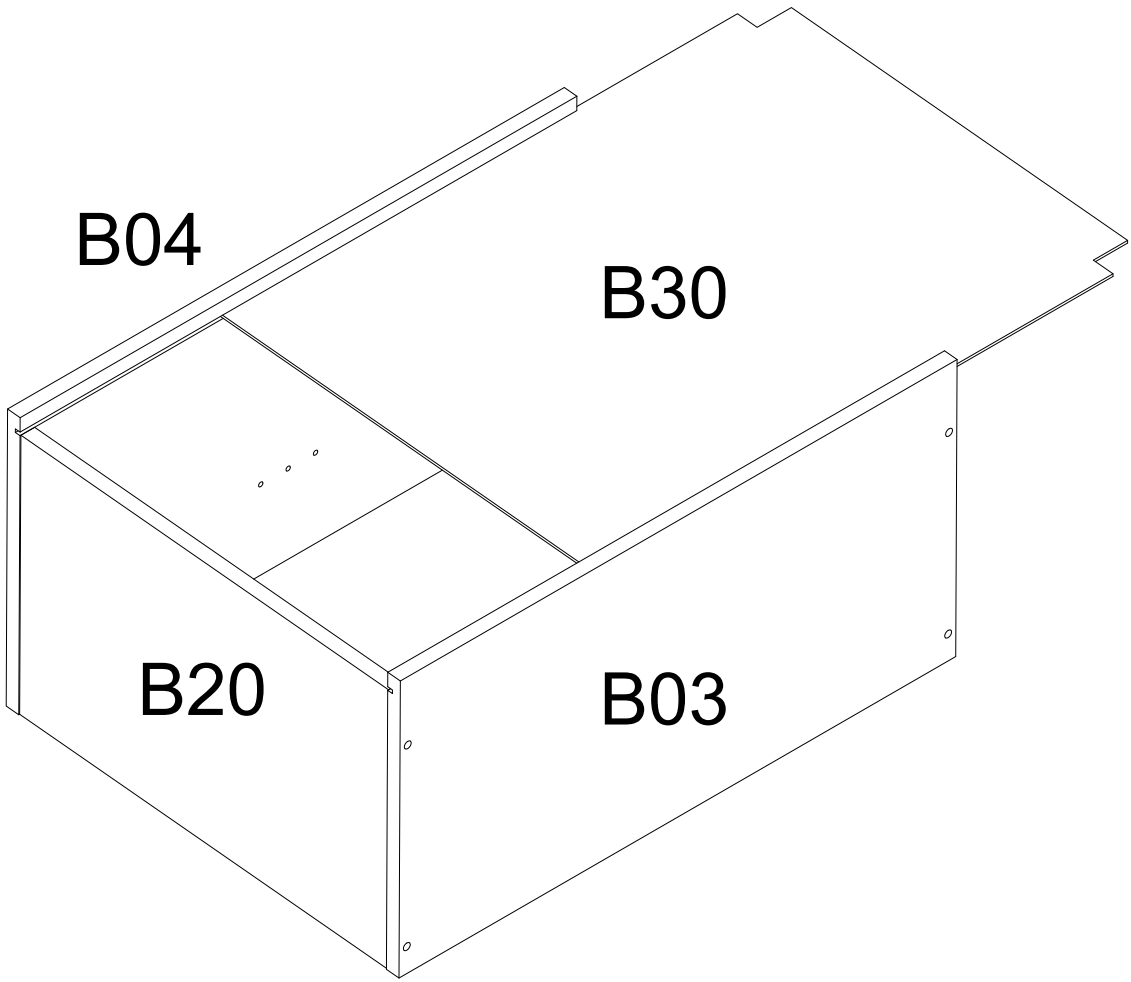
# 3



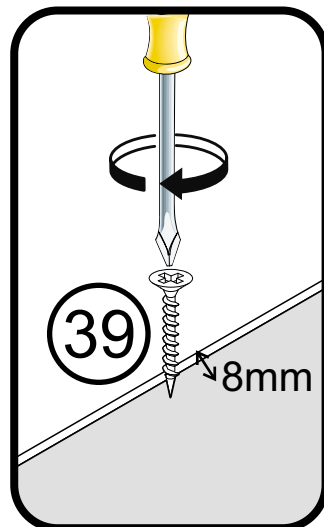
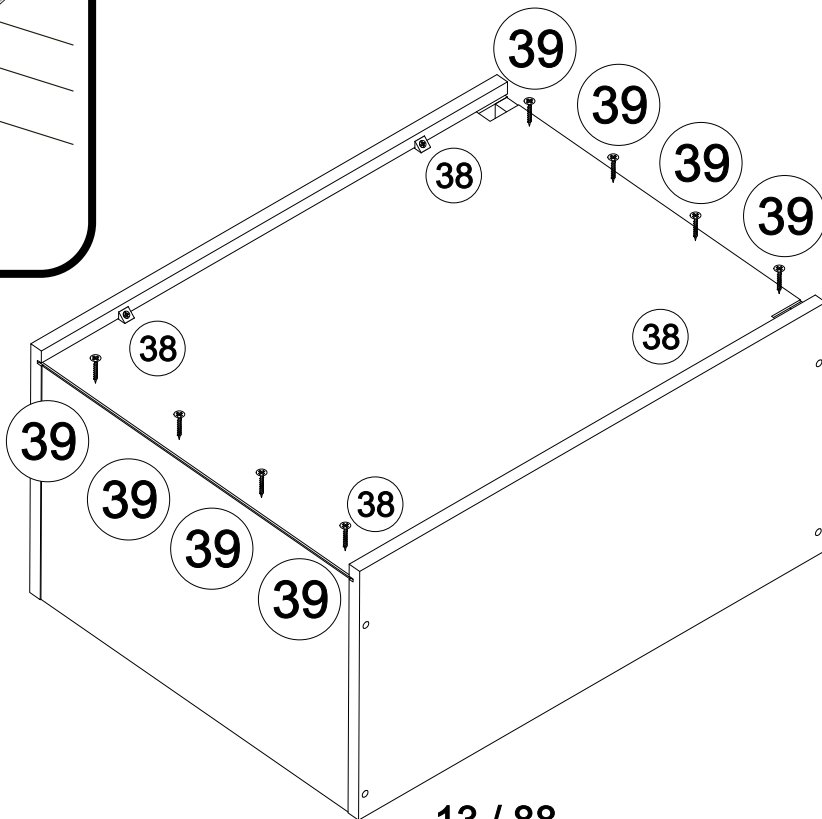
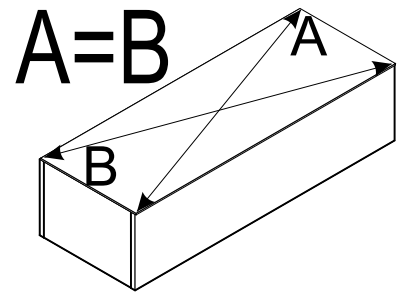
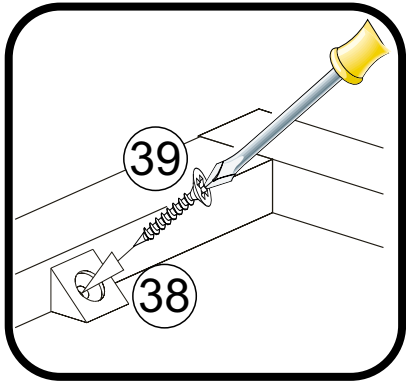
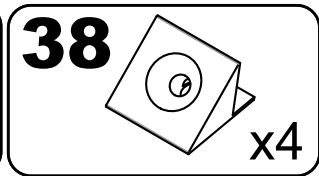
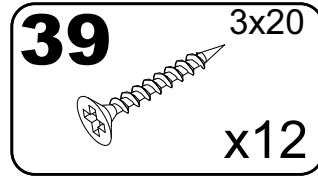
# 4



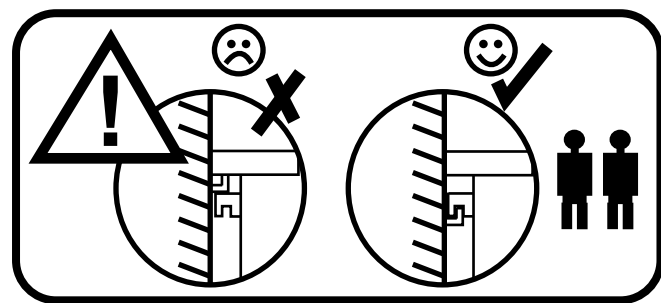
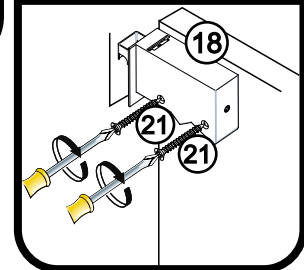
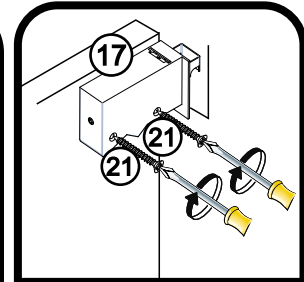
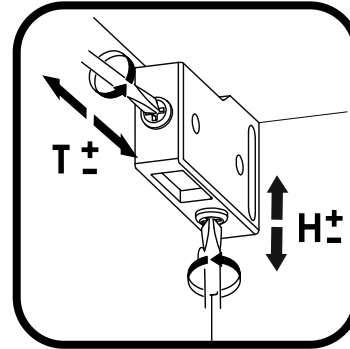
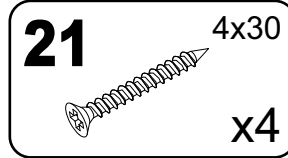
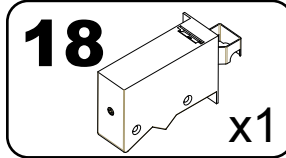
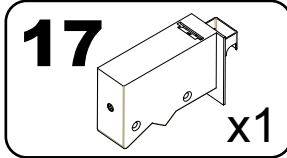
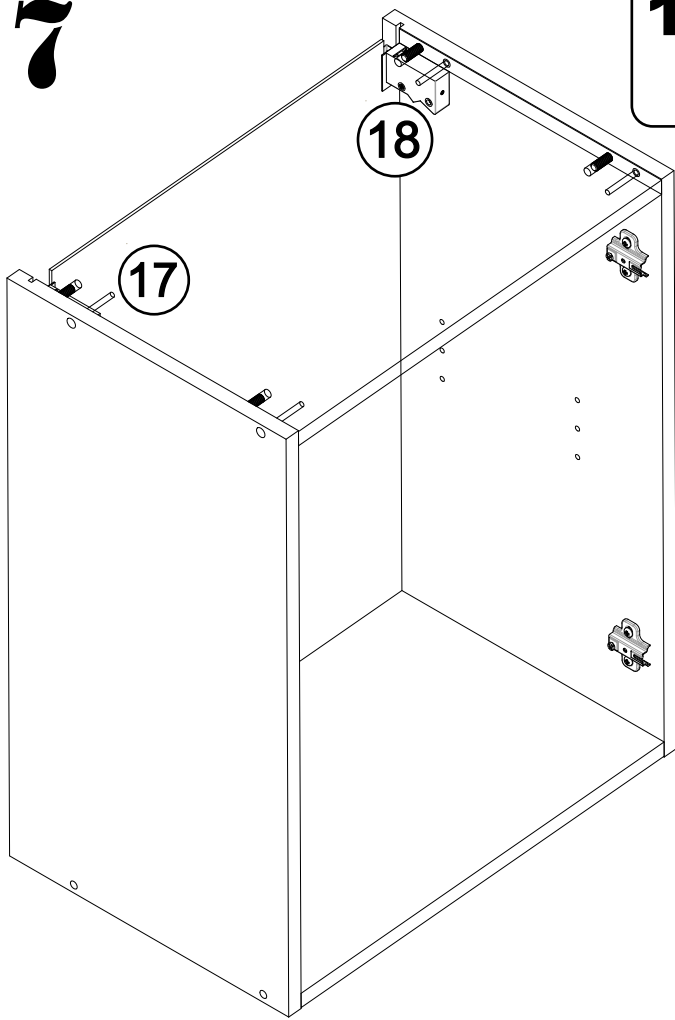
# 5



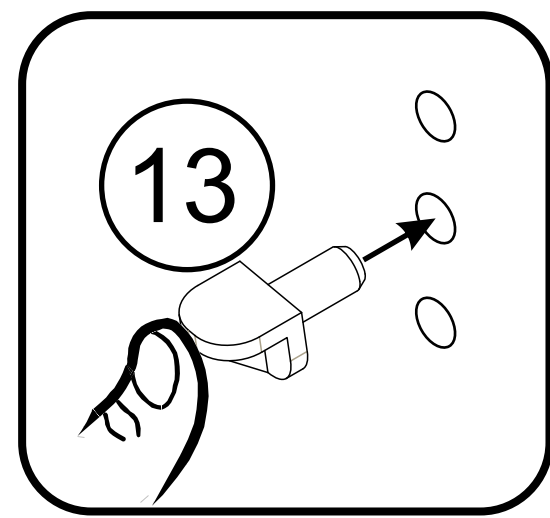
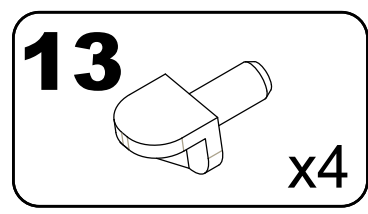
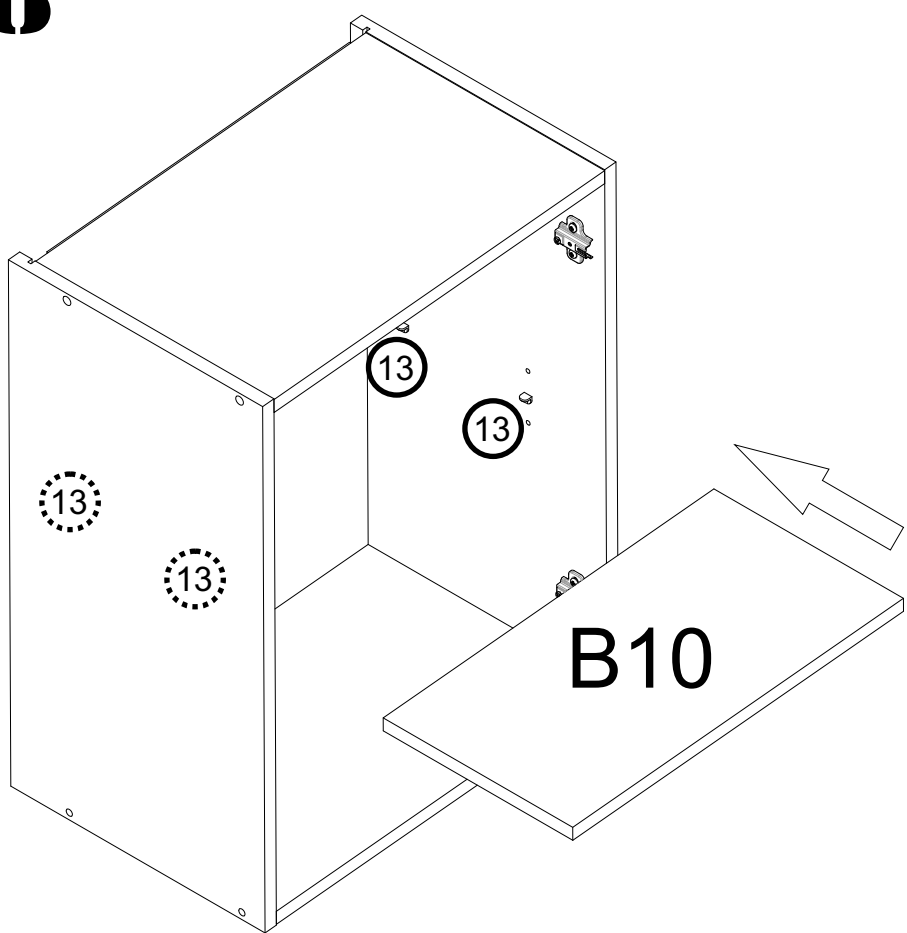
# 6



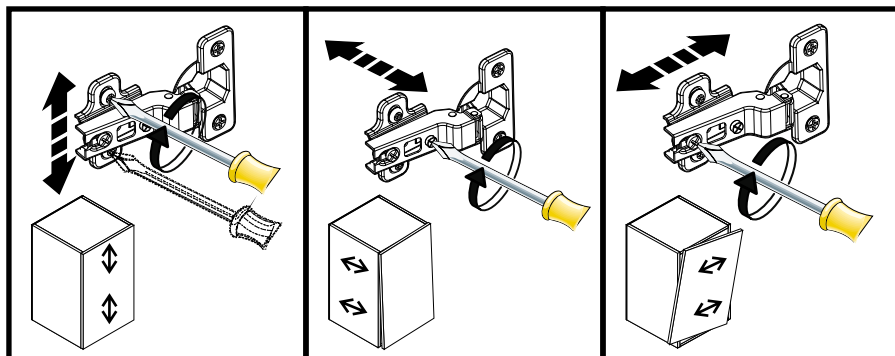
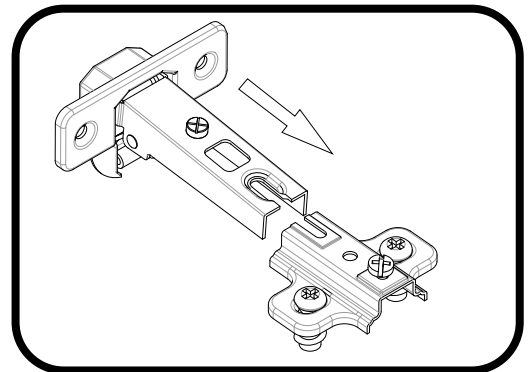
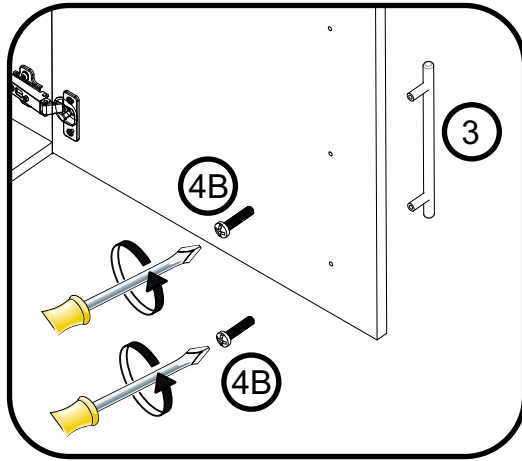
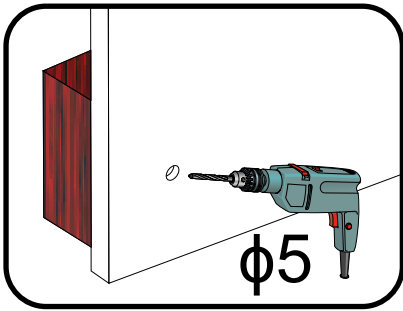
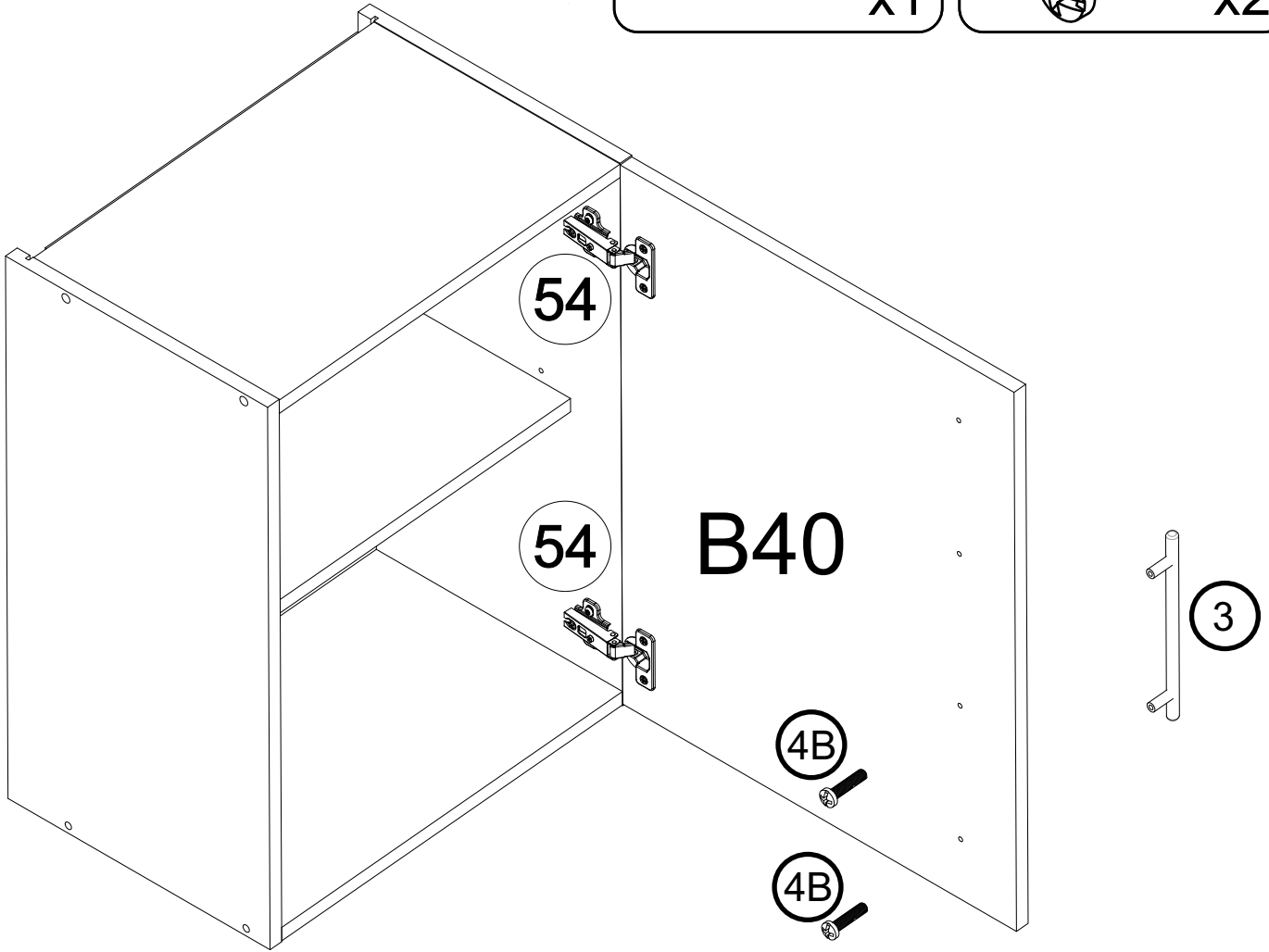
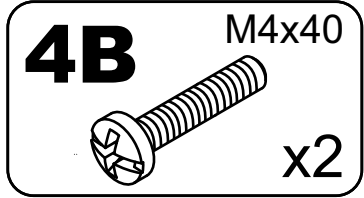
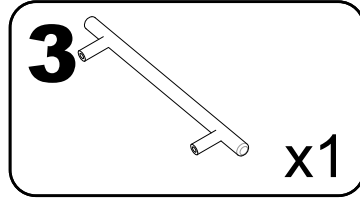
7



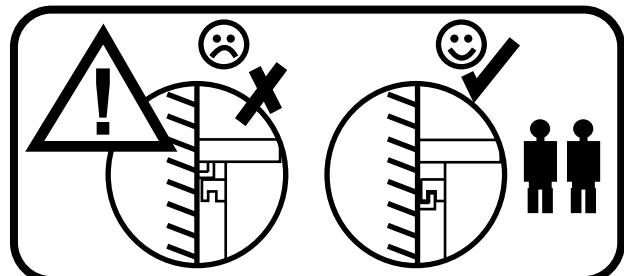
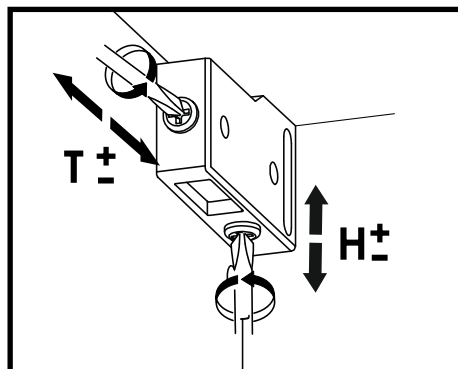
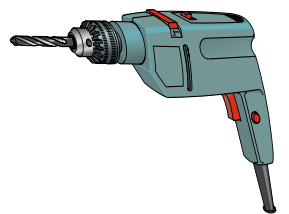
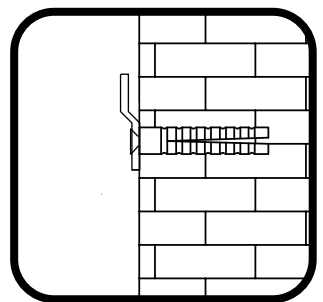
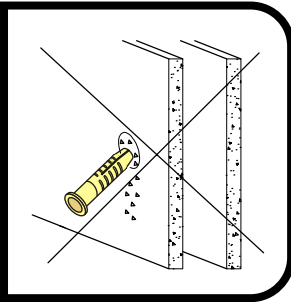
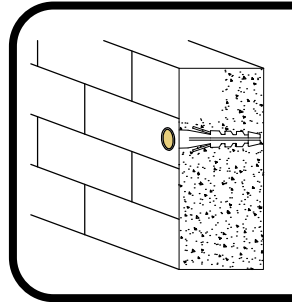
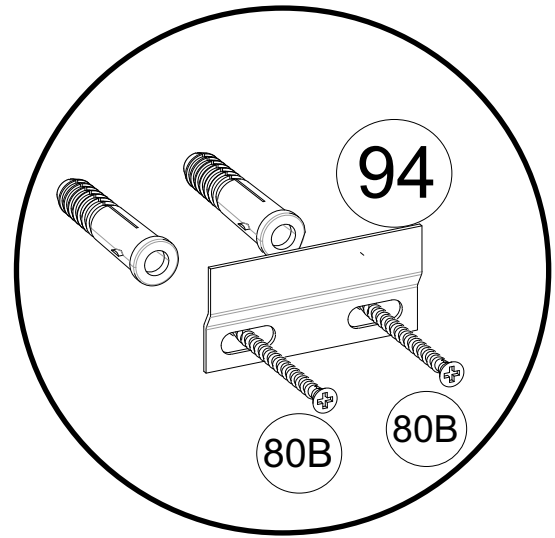
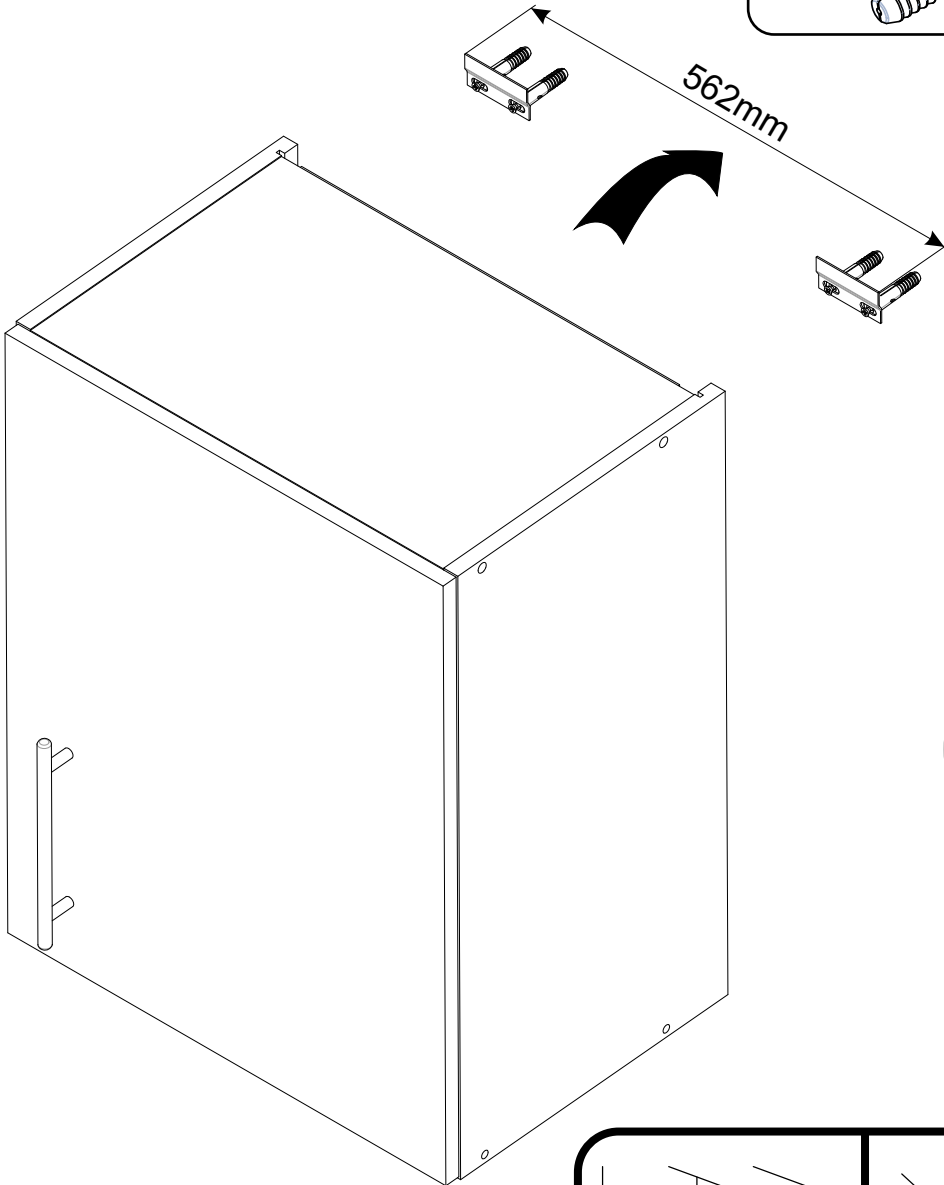
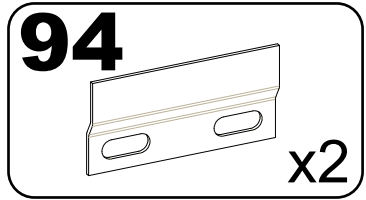
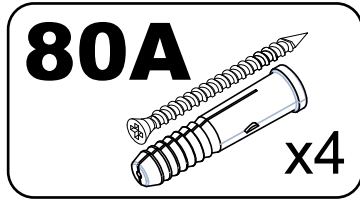
8



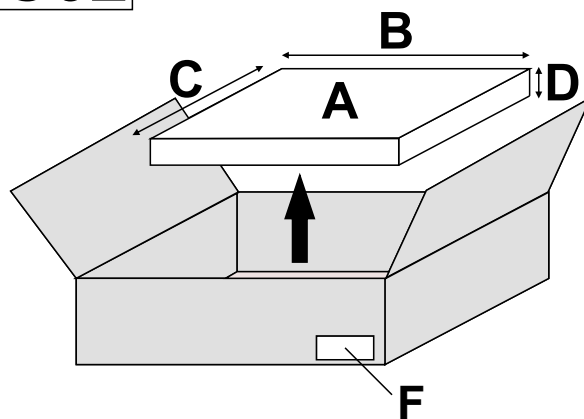
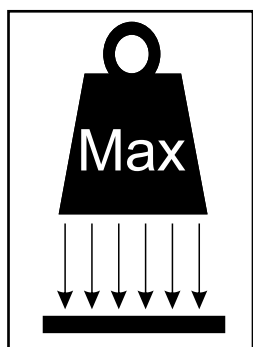
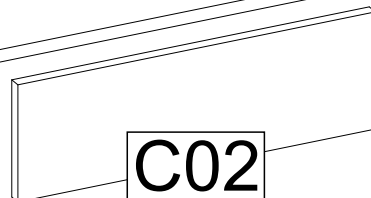
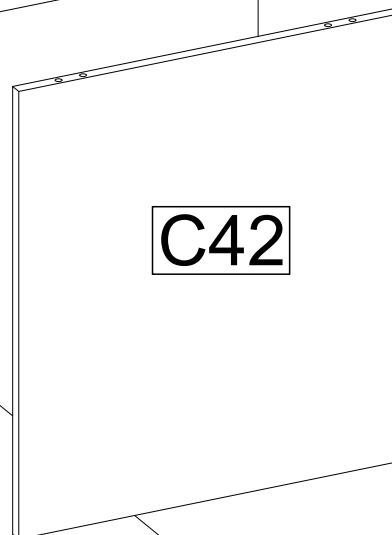
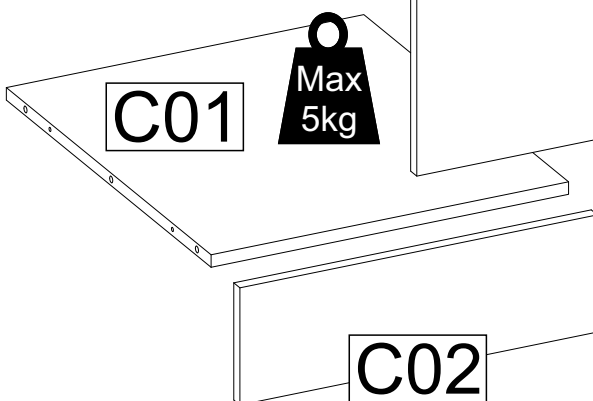
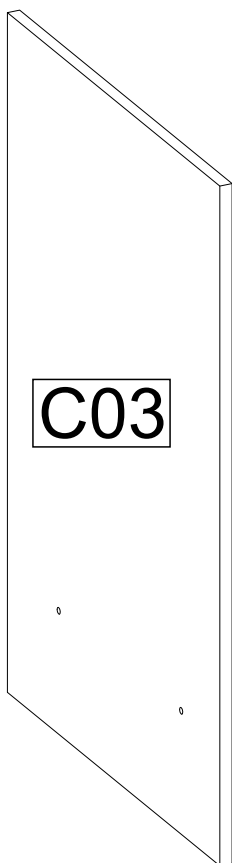
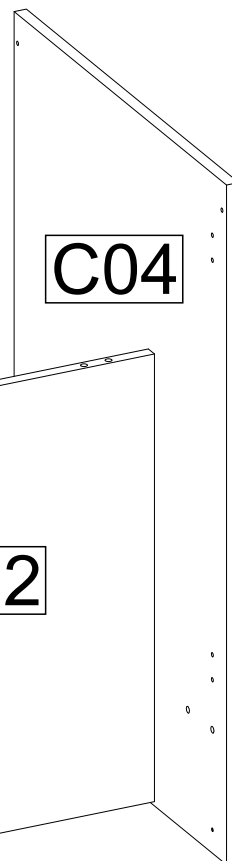
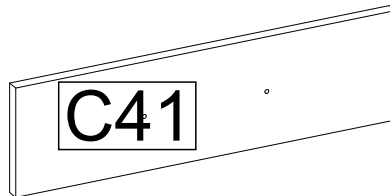
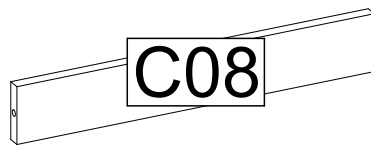
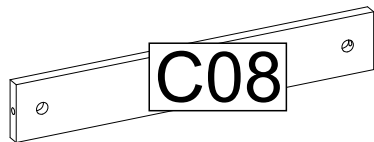
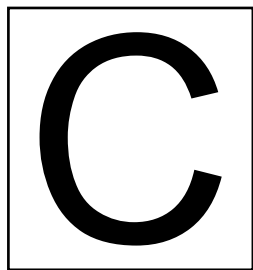
# 9



# 10

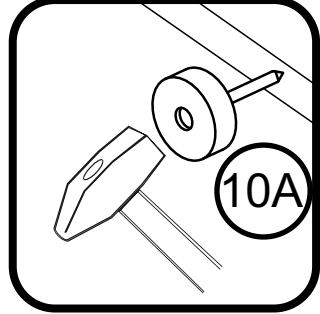
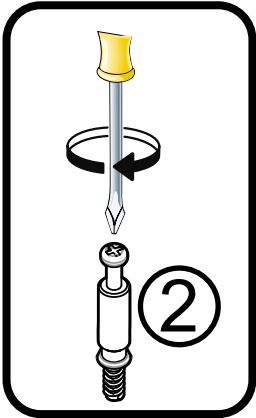
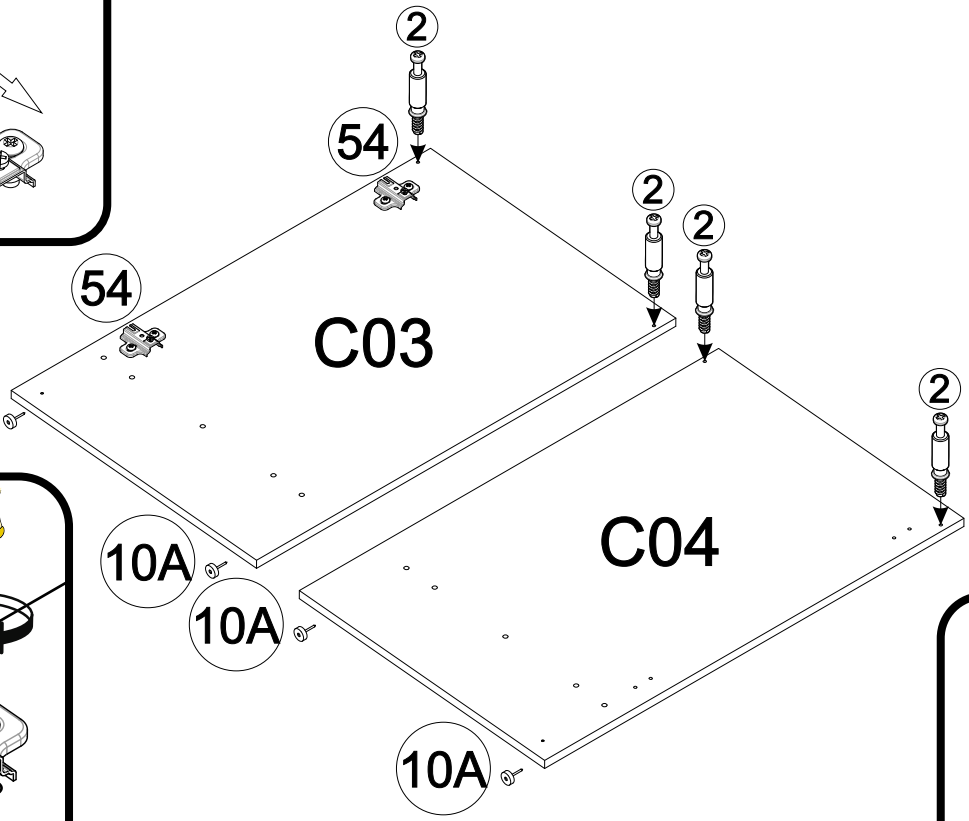
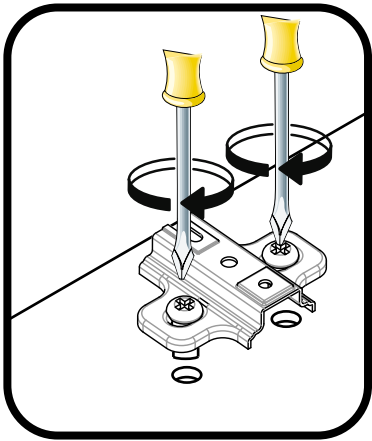
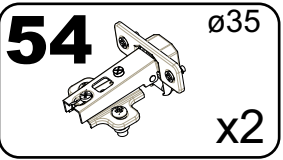
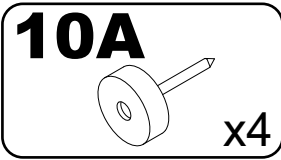
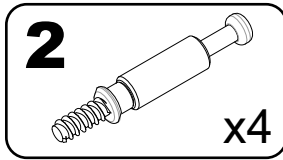
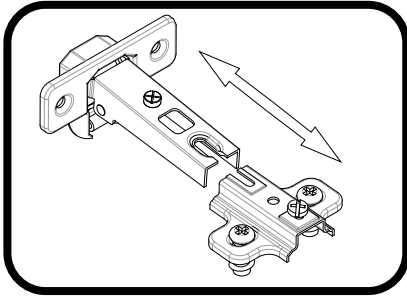




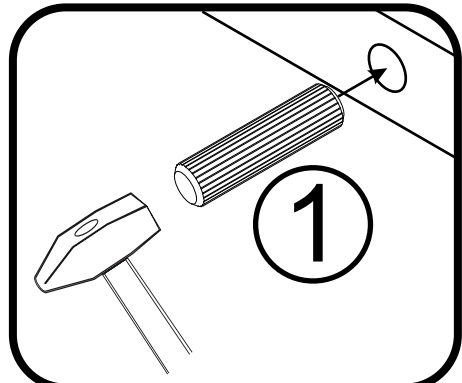
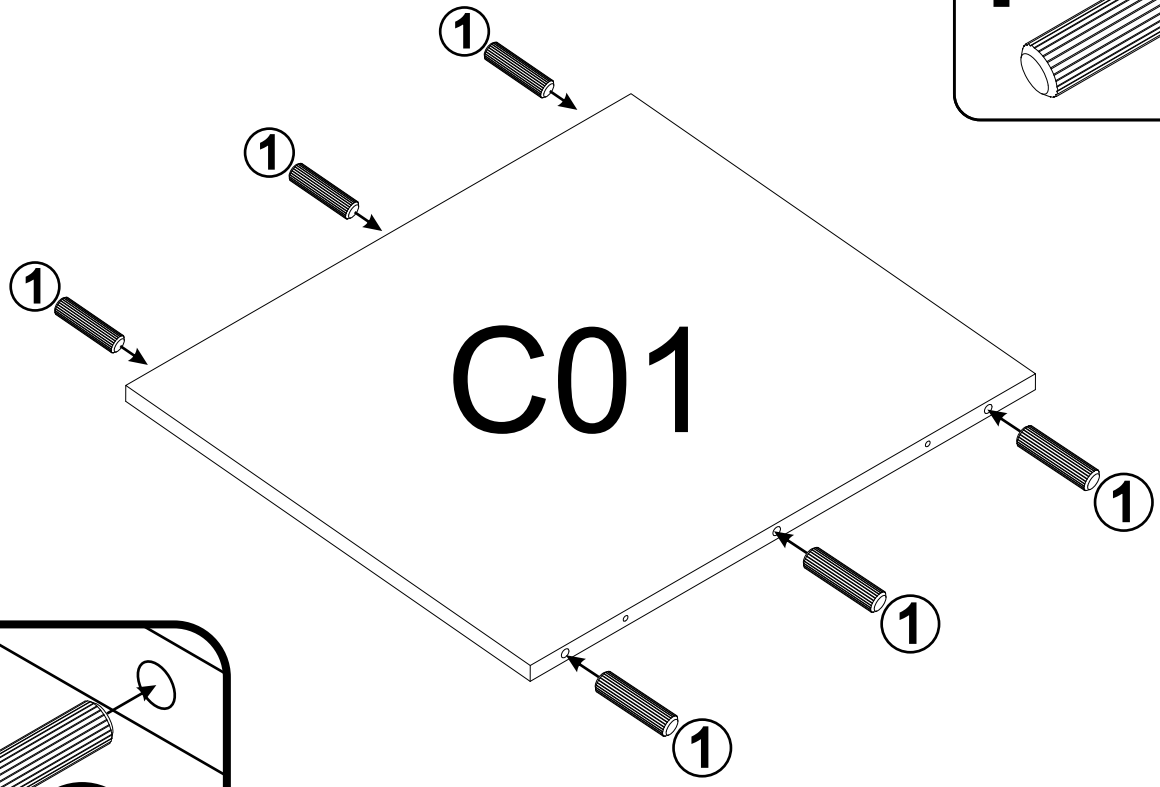
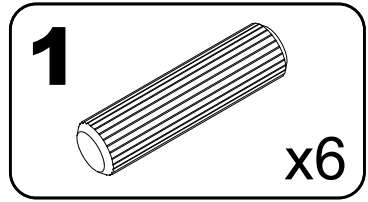


A	B_(mm)	C_(mm)	D_(mm)	E	F
C01	467	535	16	1	1 10
C02	467	150	16	1	1 10
C03	870	555	16	1	1 10
C04	870	555	16	1	1 10
C08	467	74	16	2	1 10
C41	140	496	16	1	1 10
C42	573	496	16	1	1 10

# 1

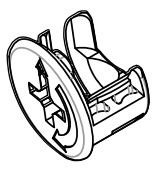


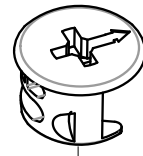
# 2



3

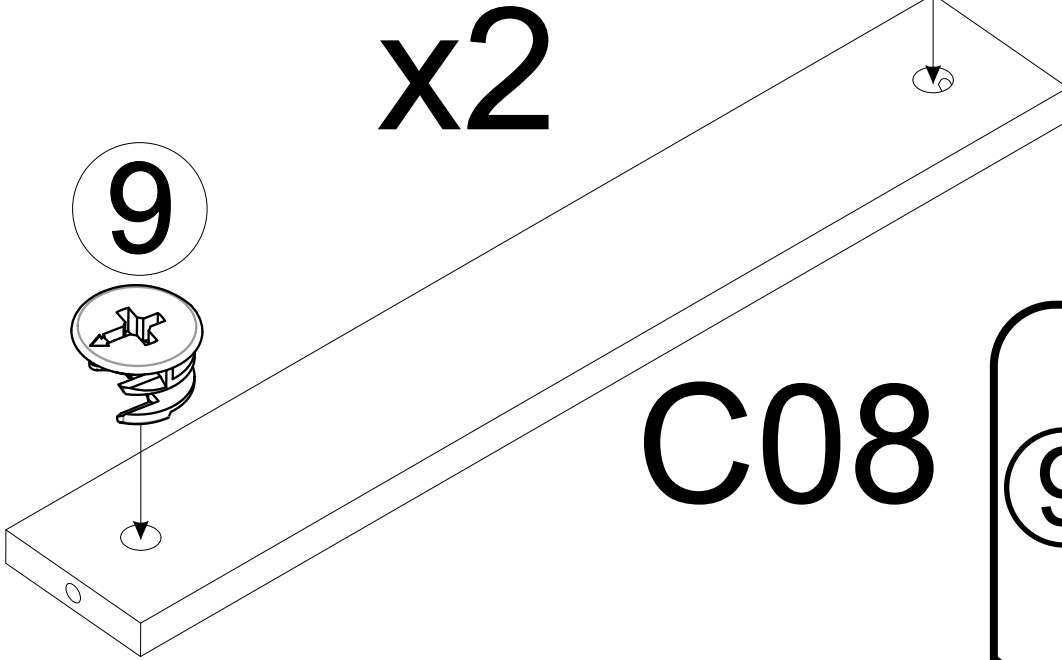
9

9  ø15  
x4

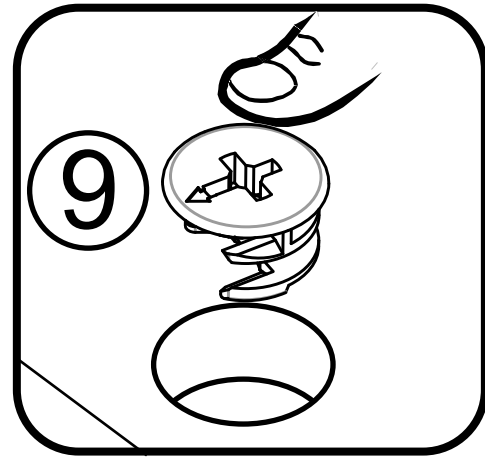


x2

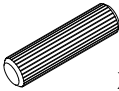
9

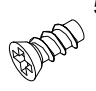


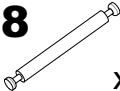
C08




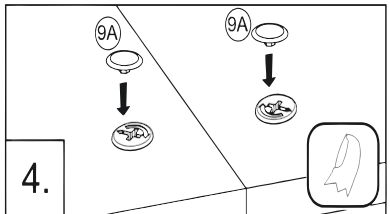
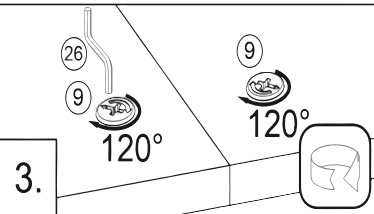
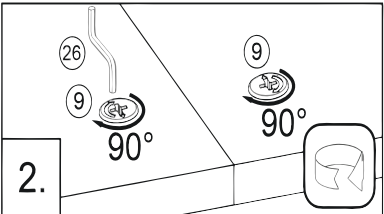
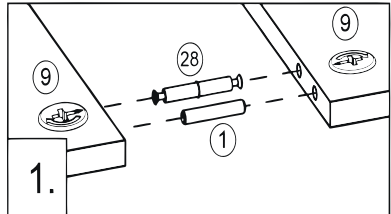
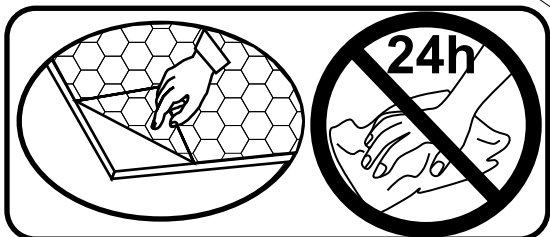
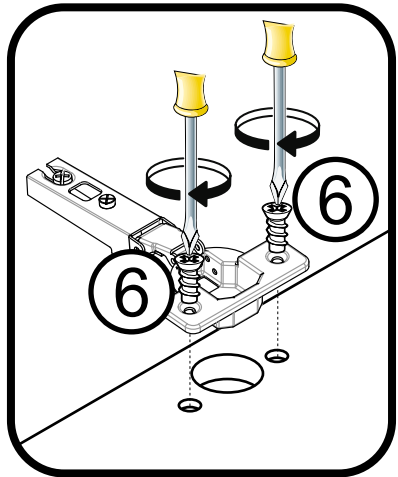
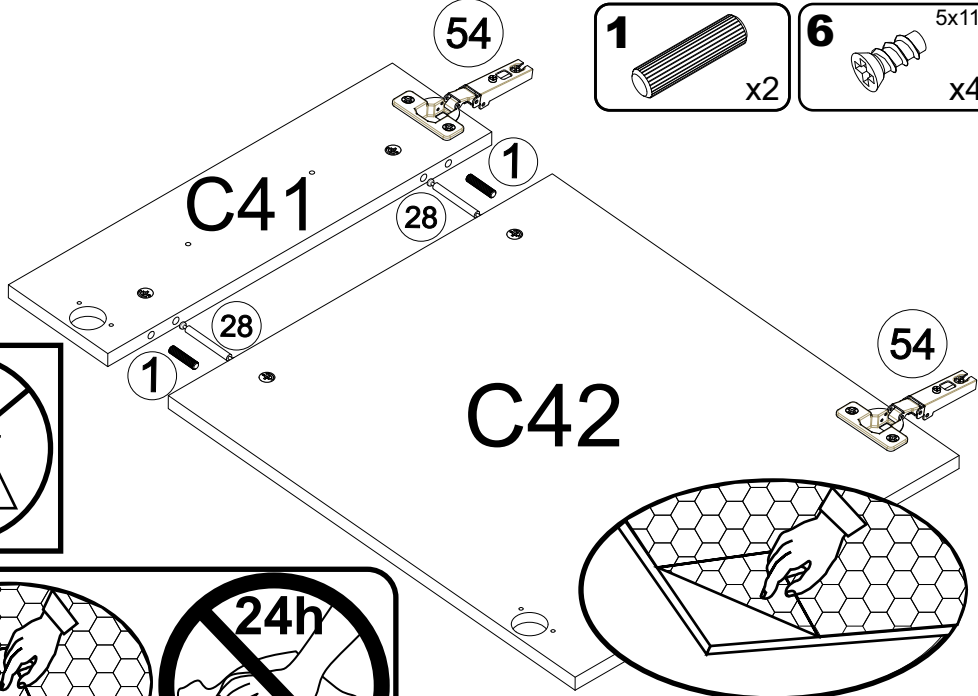
4

1  x2

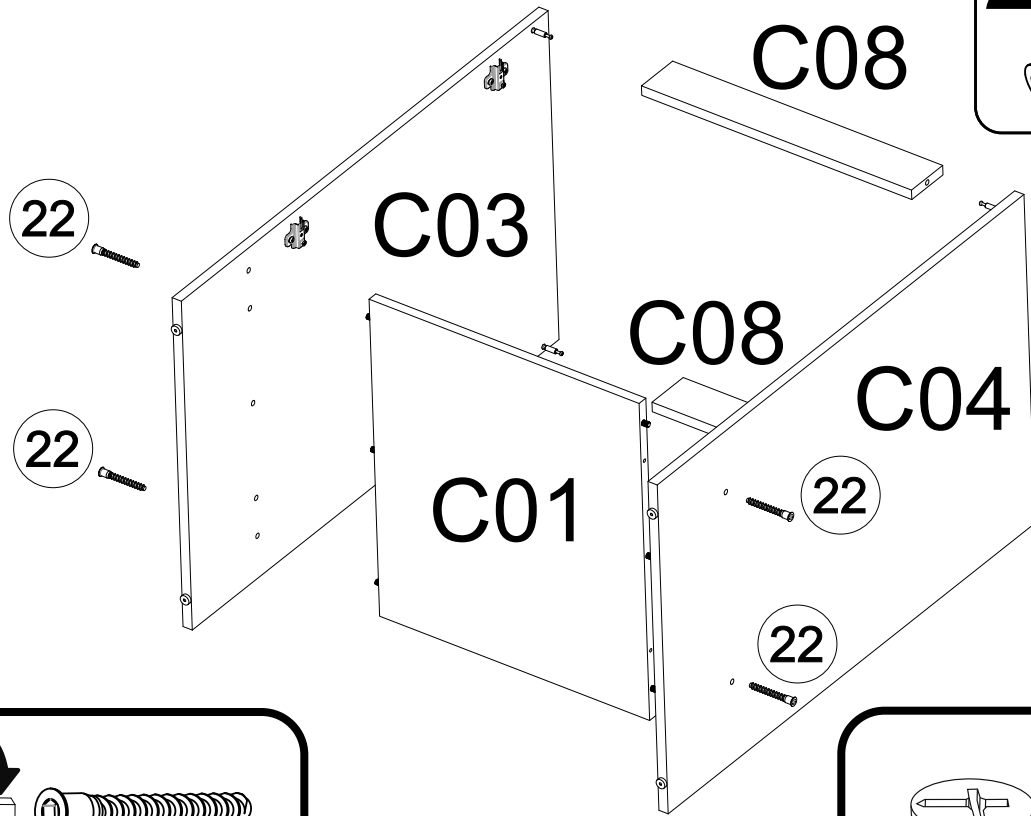
6  5x11 x4

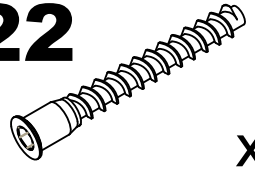
28  x2

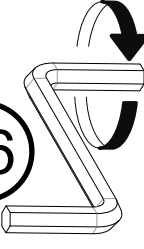

54  ø35 x2



# 5

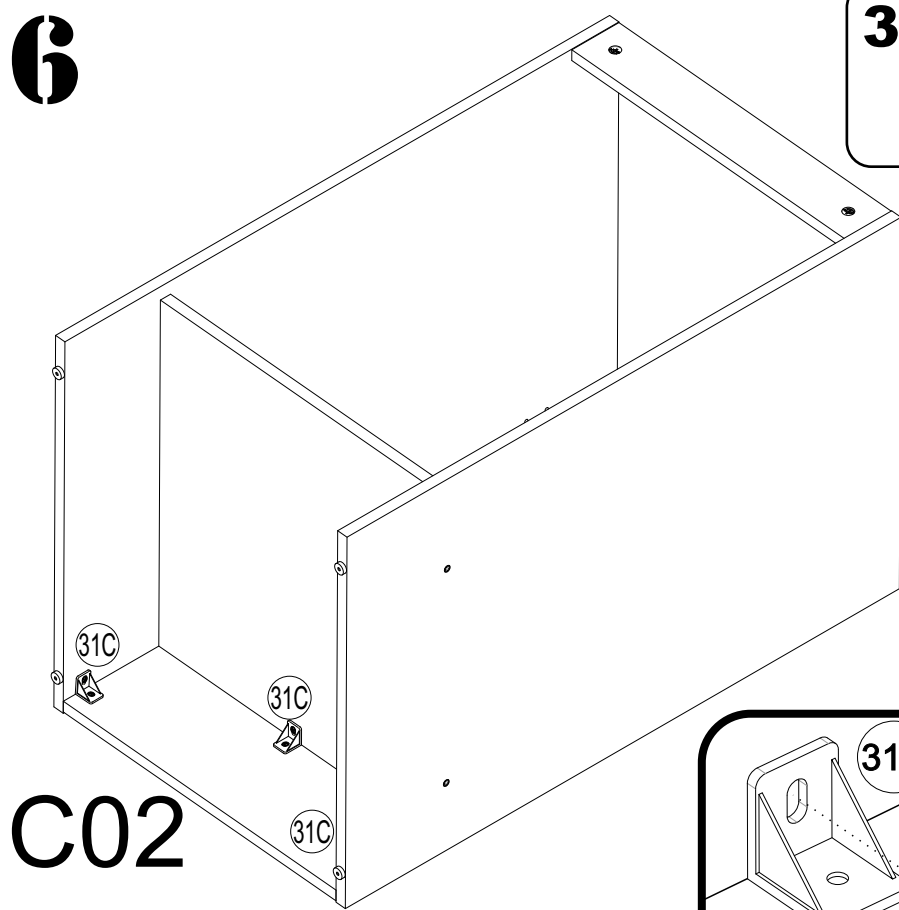


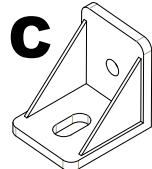
**22**  x4

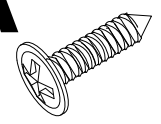
**26**  **22** 

Inset diagram showing a circular component being inserted into a hole and secured with a screw.

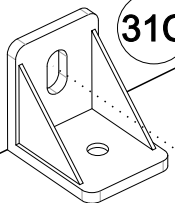

# 6



**31C**  x3

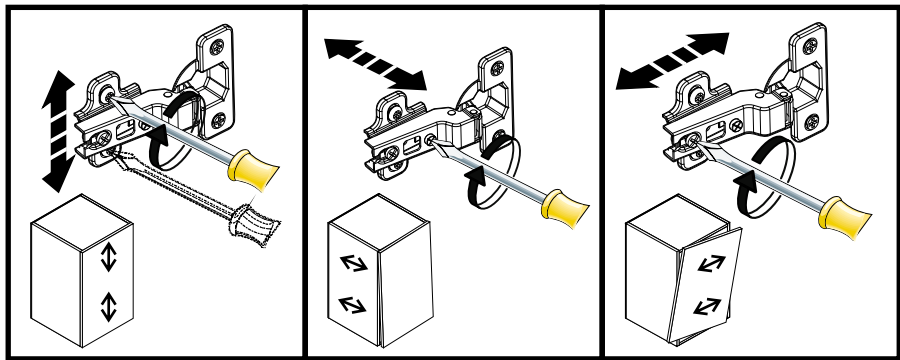
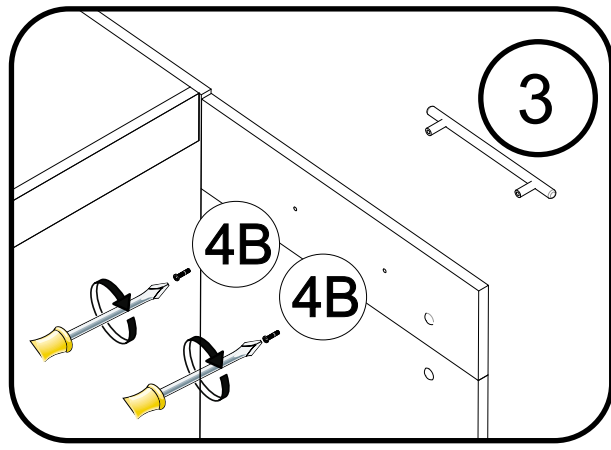
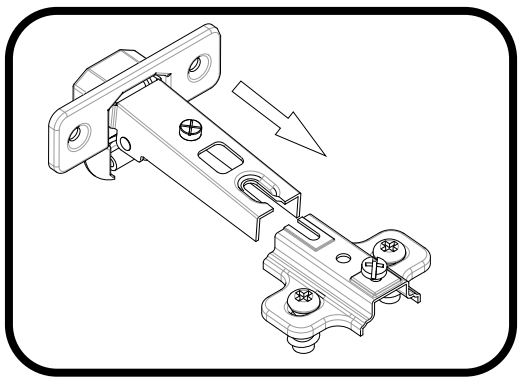
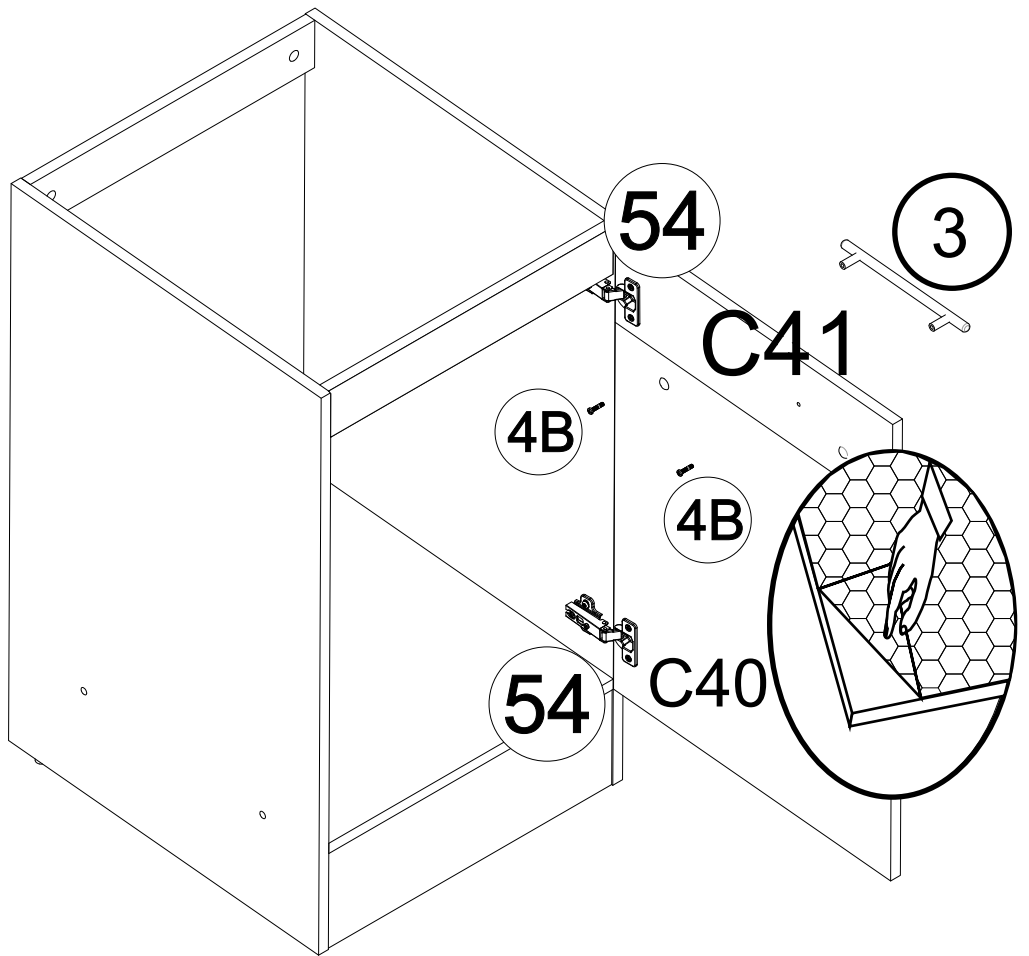
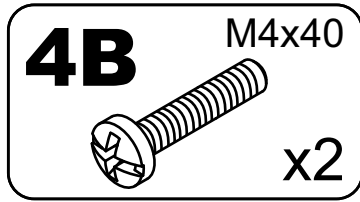
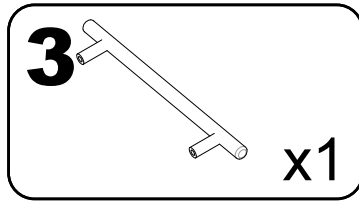
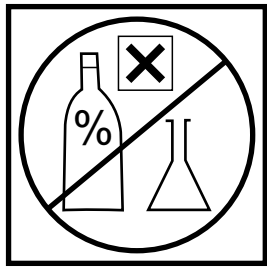
**4A**  4x16 x6

C02

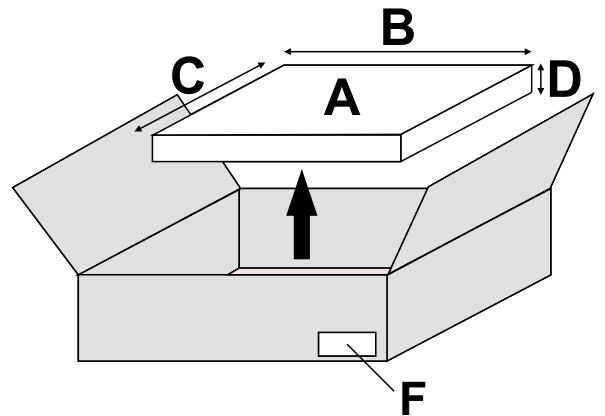
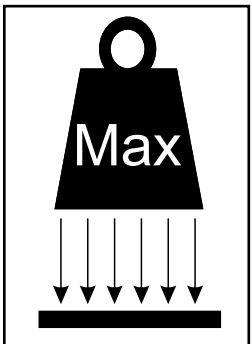
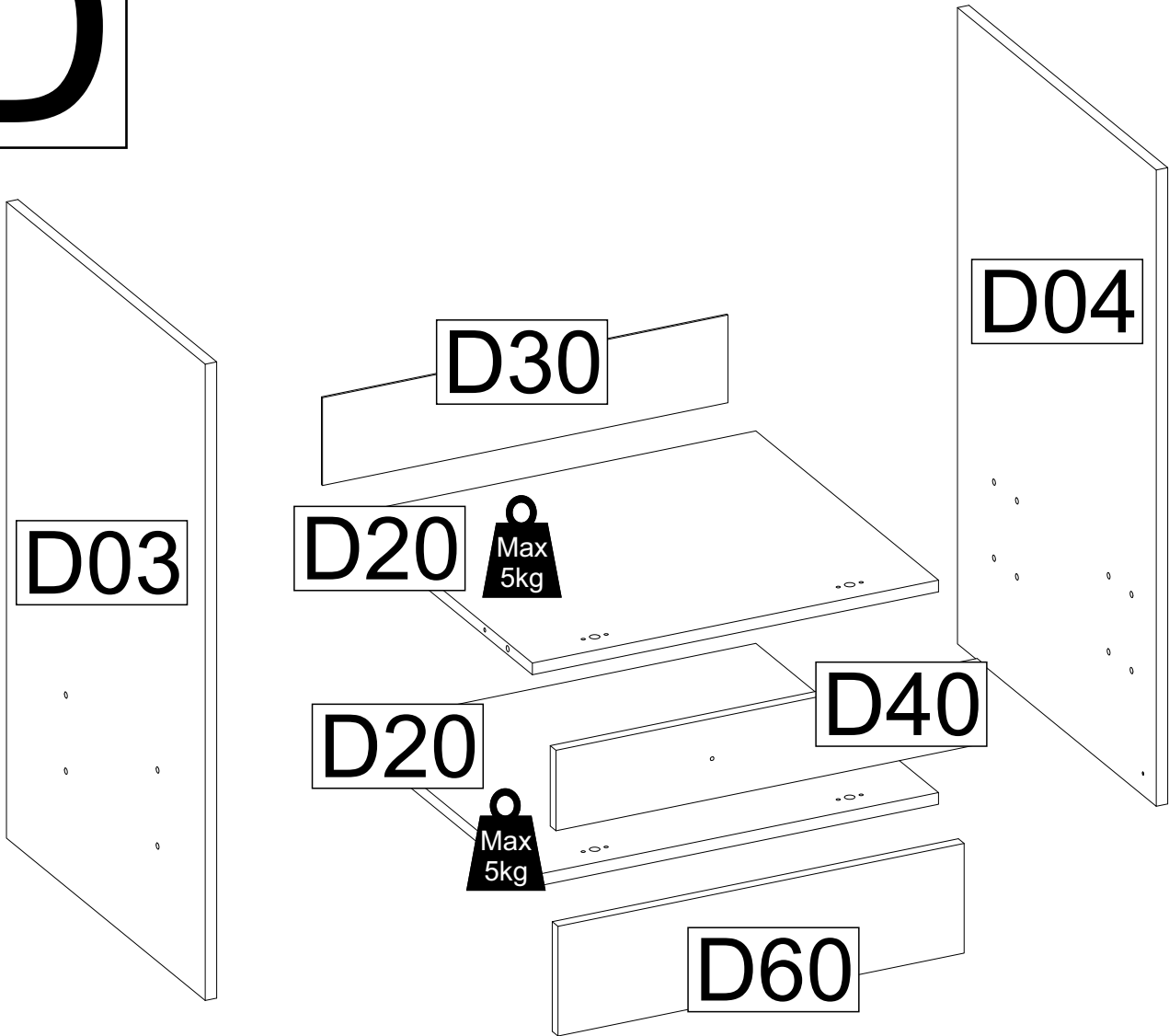
**31C**  **4A** 

Inset diagram showing a screw 4A being inserted into a hole in bracket 31C.

7



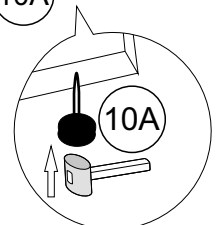
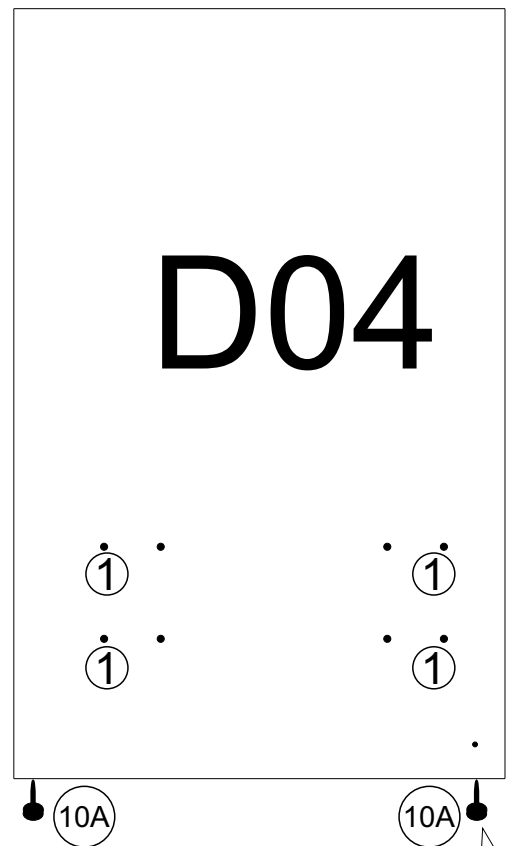
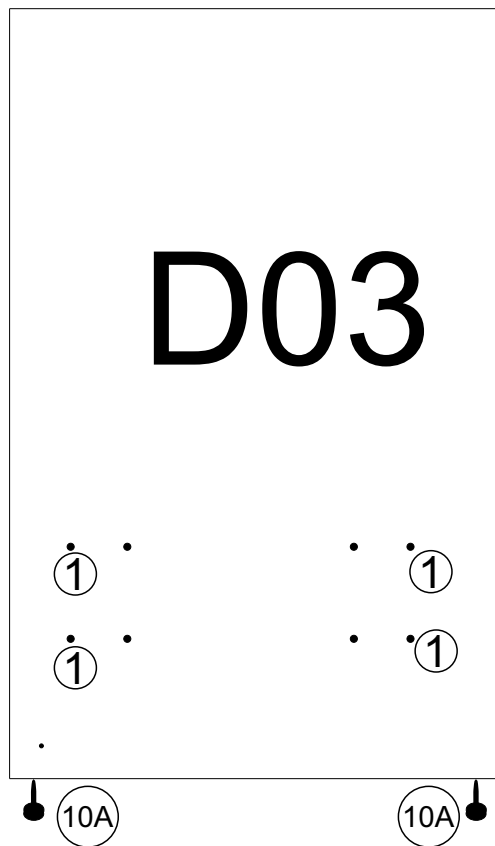
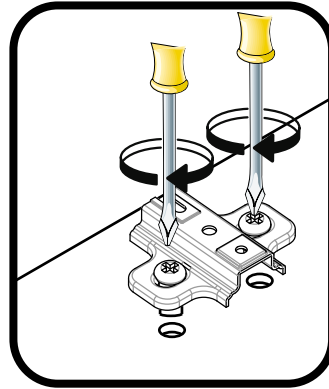
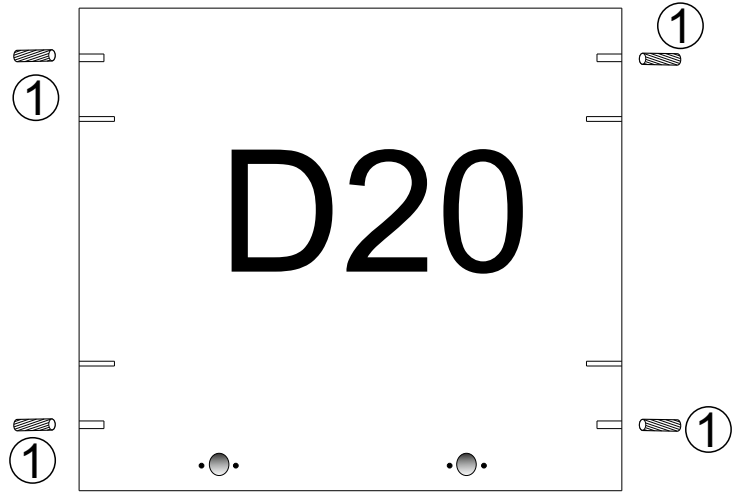
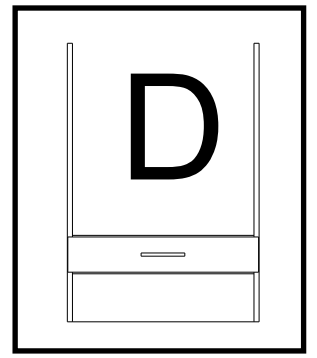
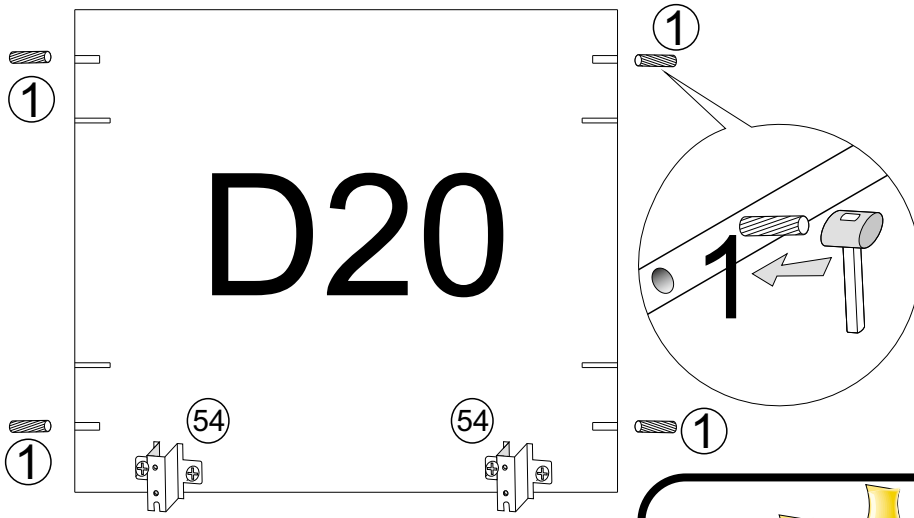
# D



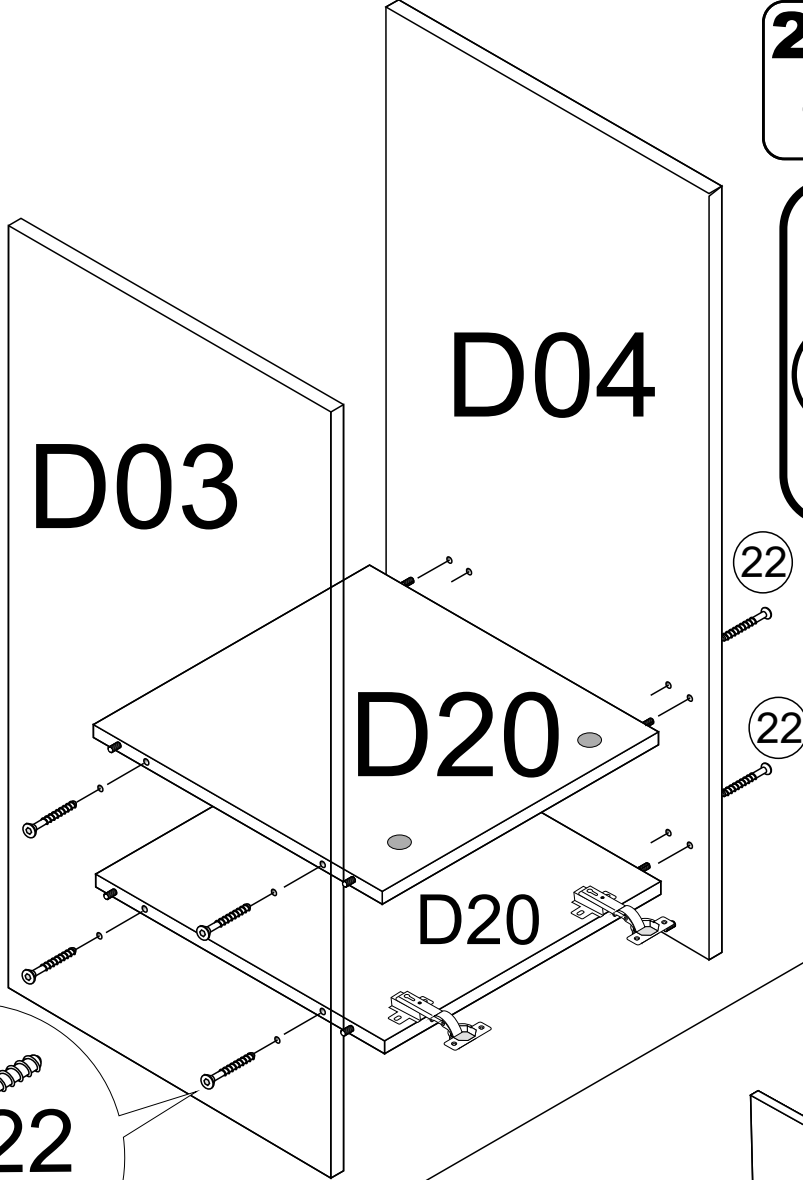
A	B_(mm)	C_(mm)	D_(mm)	E	F
D03	870	555	16	1	9 10
D04	870	555	16	1	9 10
D20	567	510	16	2	9 10
D30	566	120	3	1	9 10
D40	596	110	16	1	9 10
D60	567	150	16	1	9 10

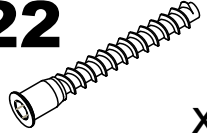



**1**

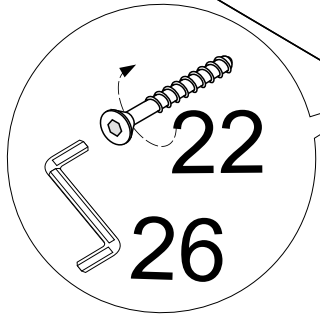
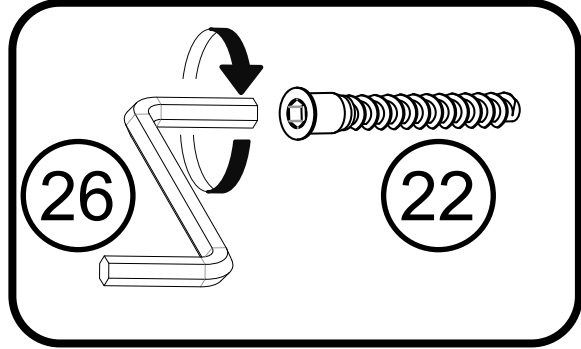


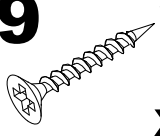
# 2

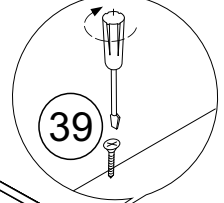


**22**  x8

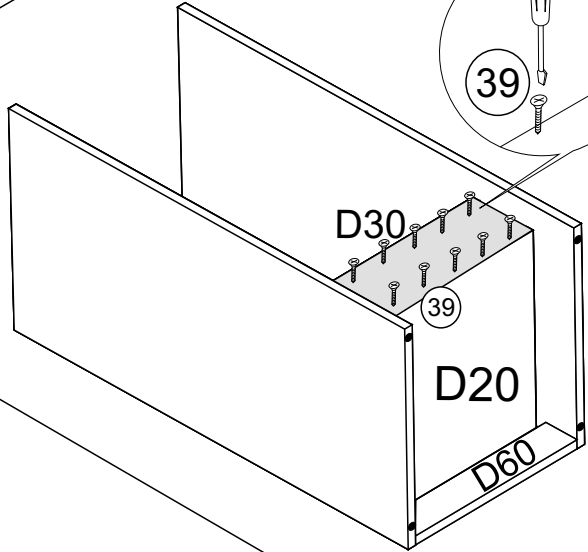
**22A**  x8

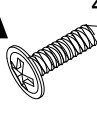


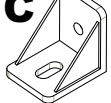
**39**  3x20  
x10

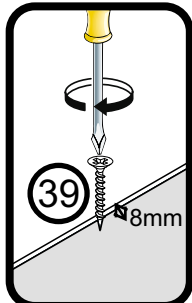


# 3

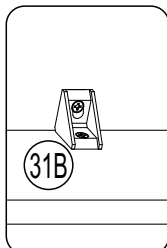
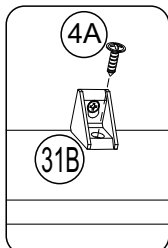
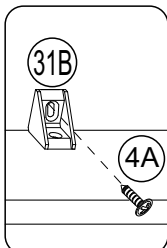
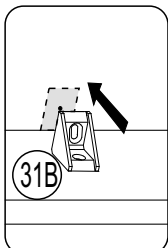
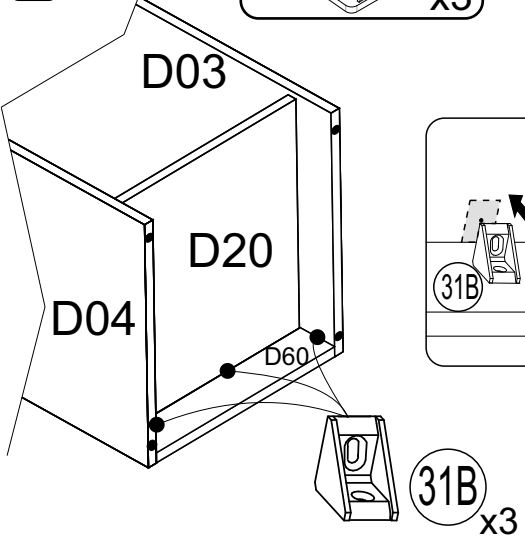


**4A**  4x16  
x6

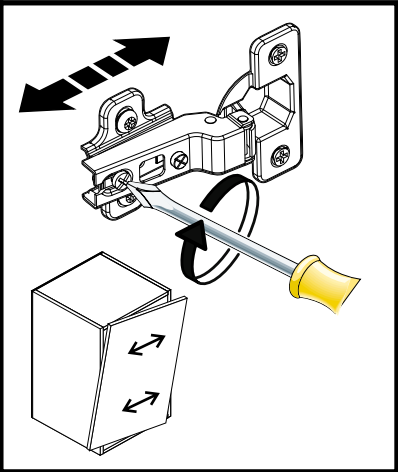
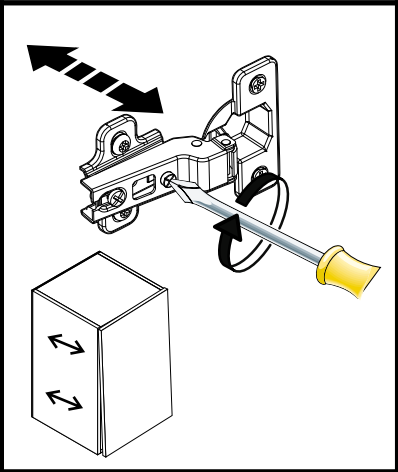
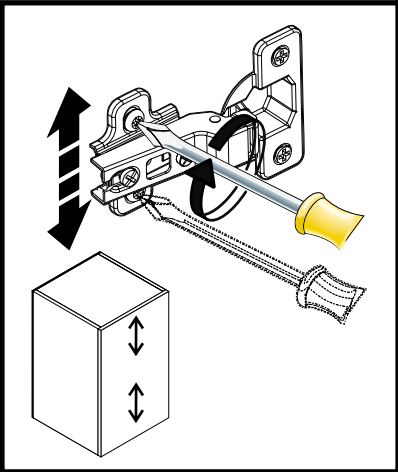
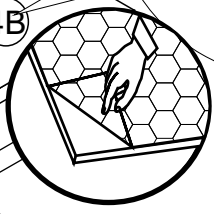
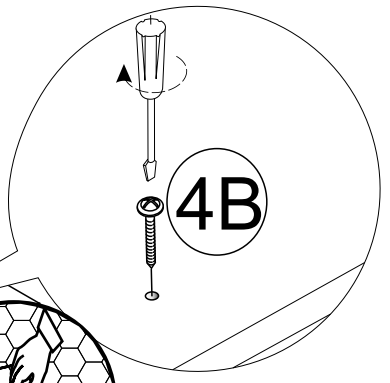
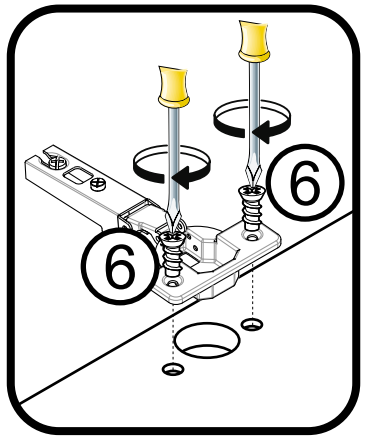
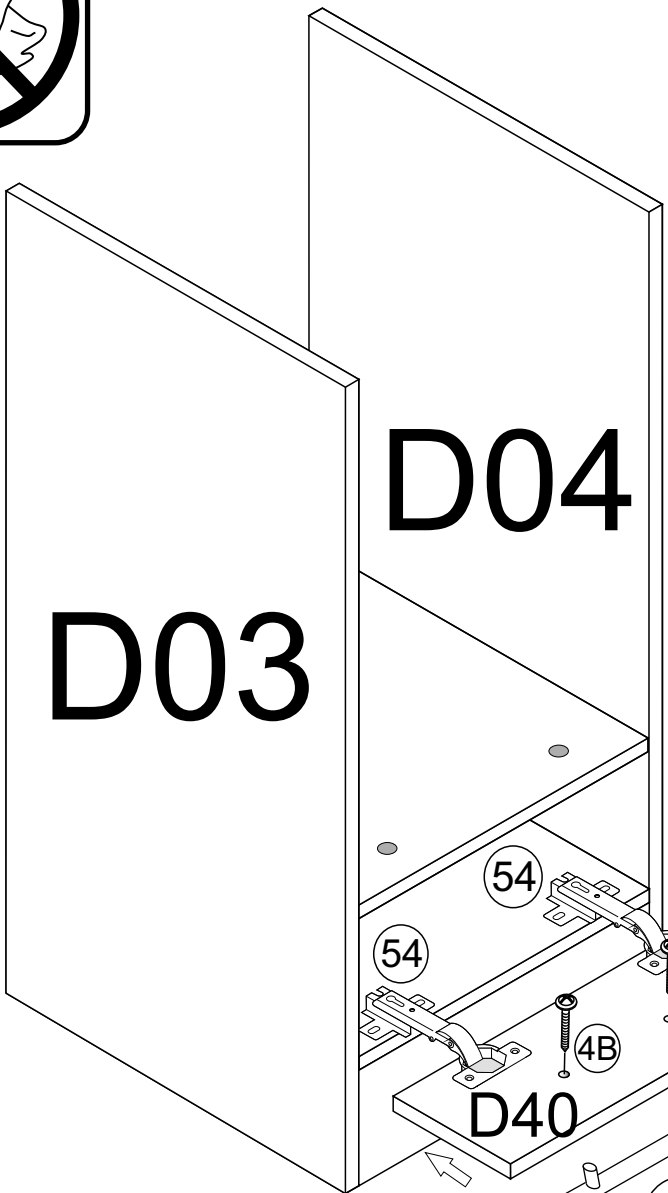
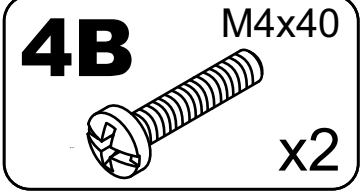
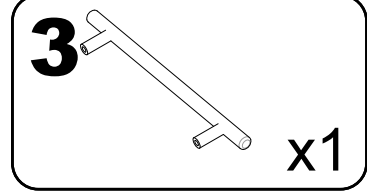
**31C**  x3

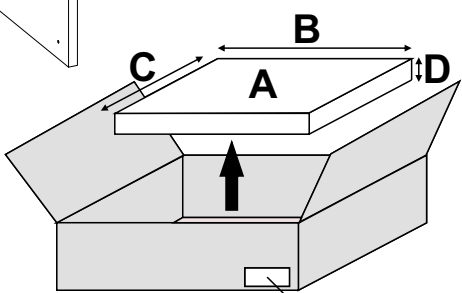
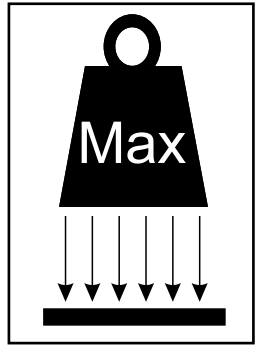
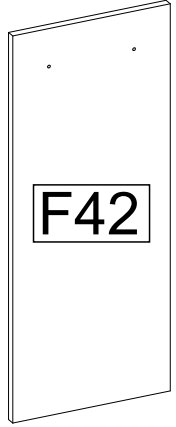
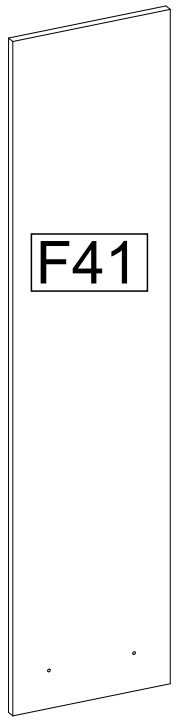
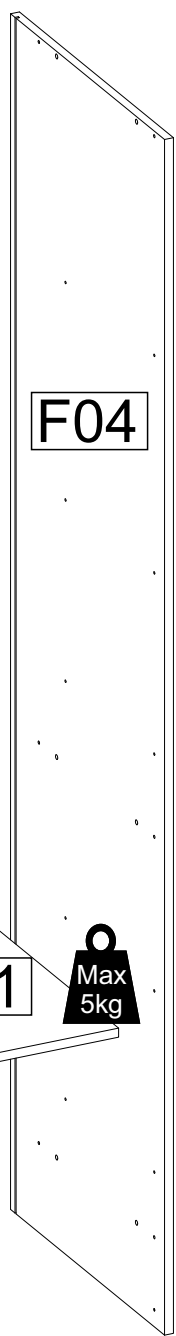
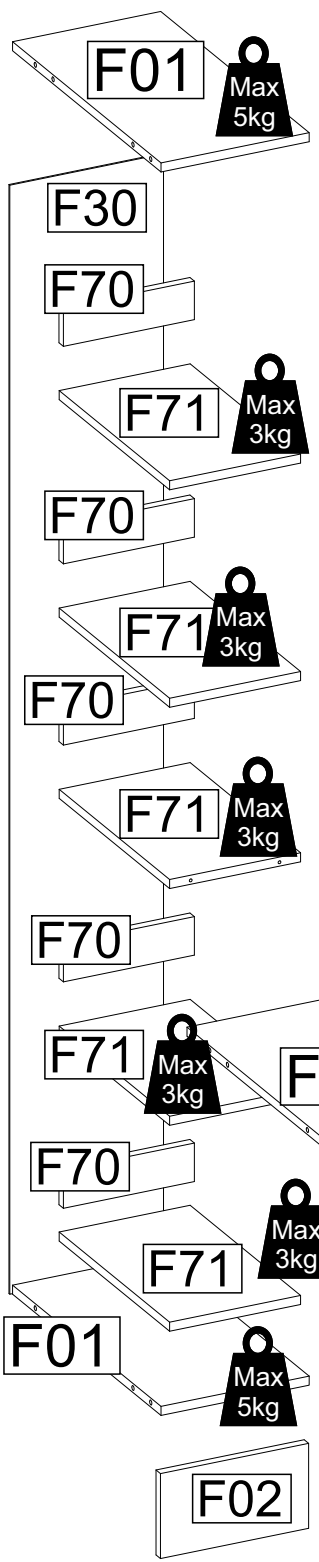
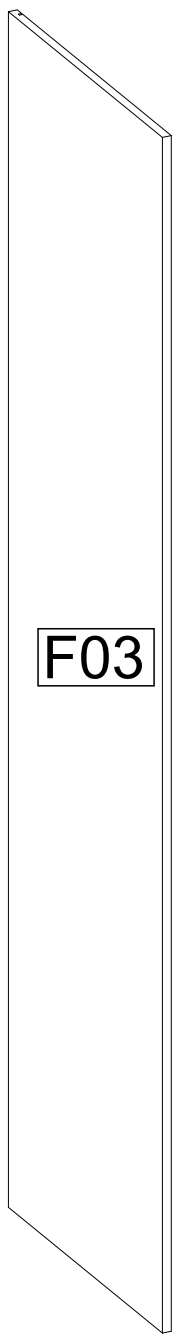
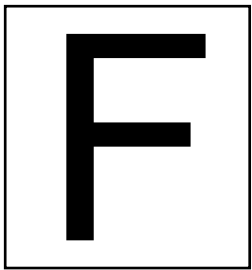


# 4



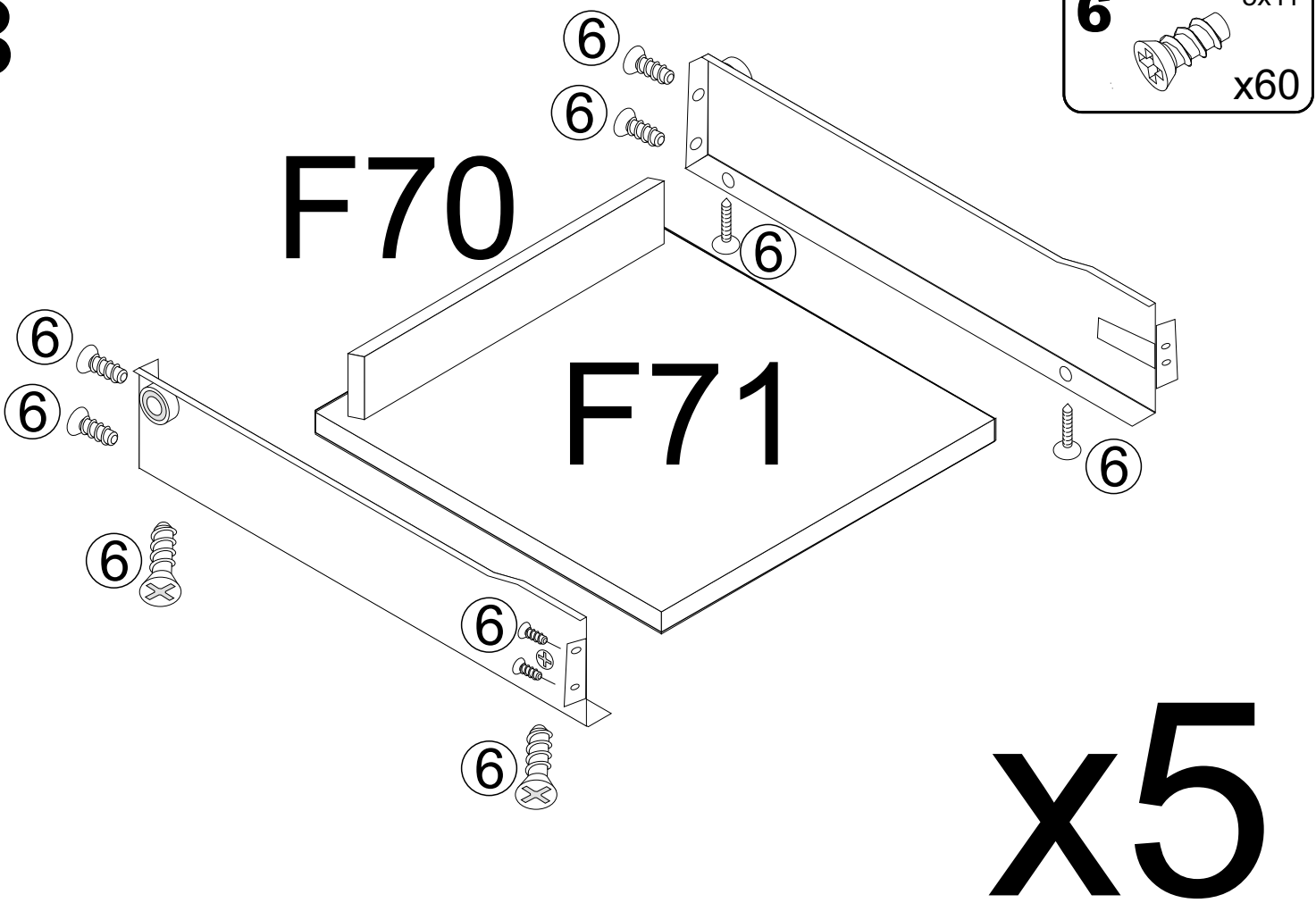
5



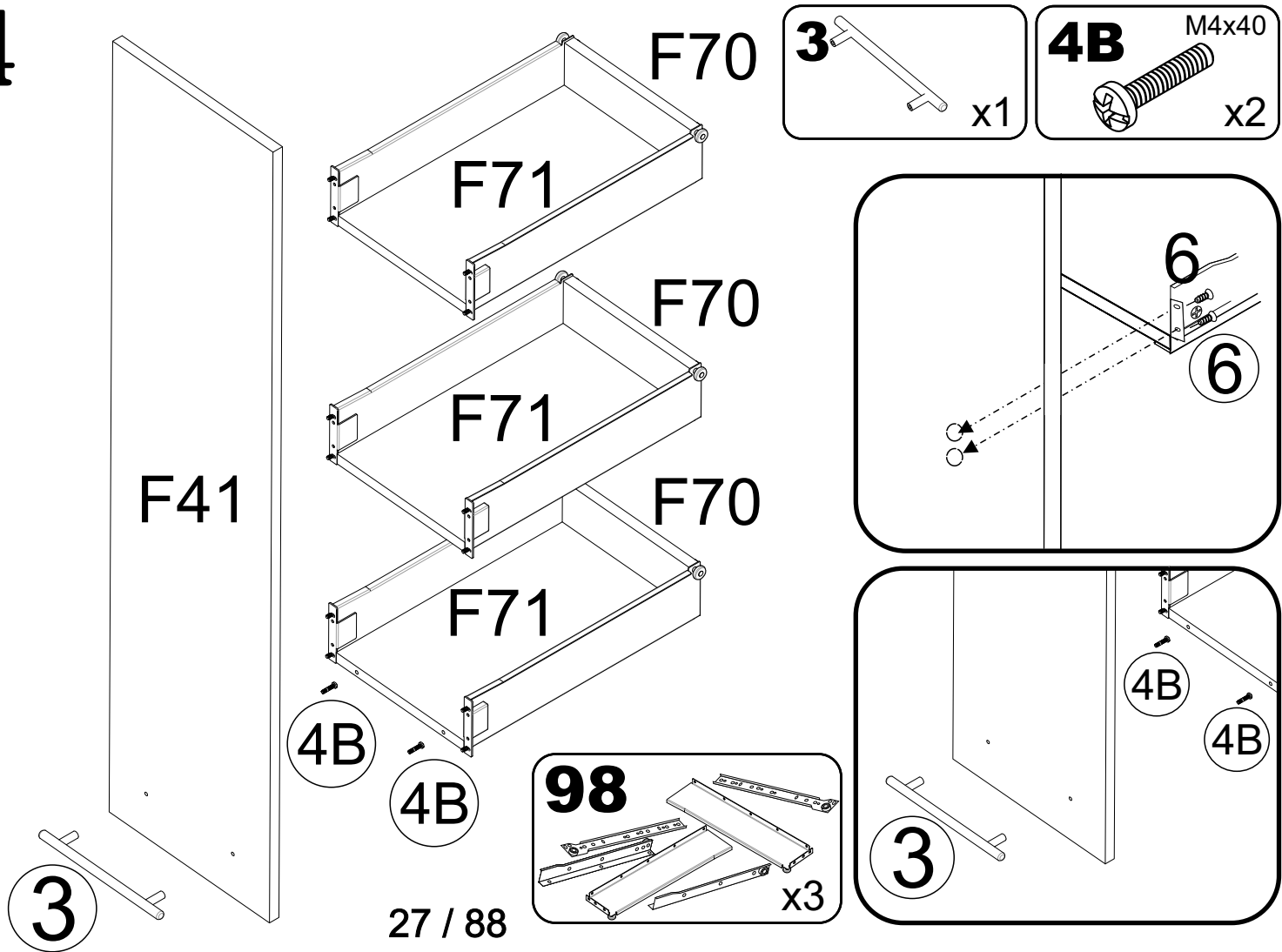


A	B_(mm)	C_(mm)	D_(mm)	E	F
F01	267	535	16	3	8 10
F02	267	150	16	1	7 10
F03	2111	555	16	1	7 10
F04	2111	555	16	1	7 10
F30	1958	277	3	1	7 10
F41	1242	296	16	1	7 10
F42	713	296	16	1	7 10
F70	236	68	16	5	8 10
F71	398	236	16	5	8 10

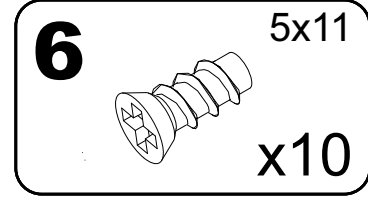
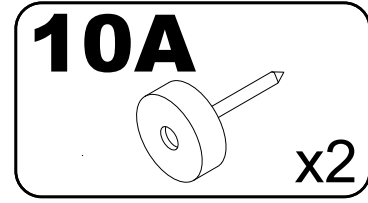
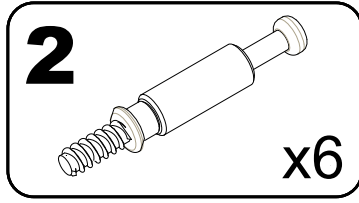
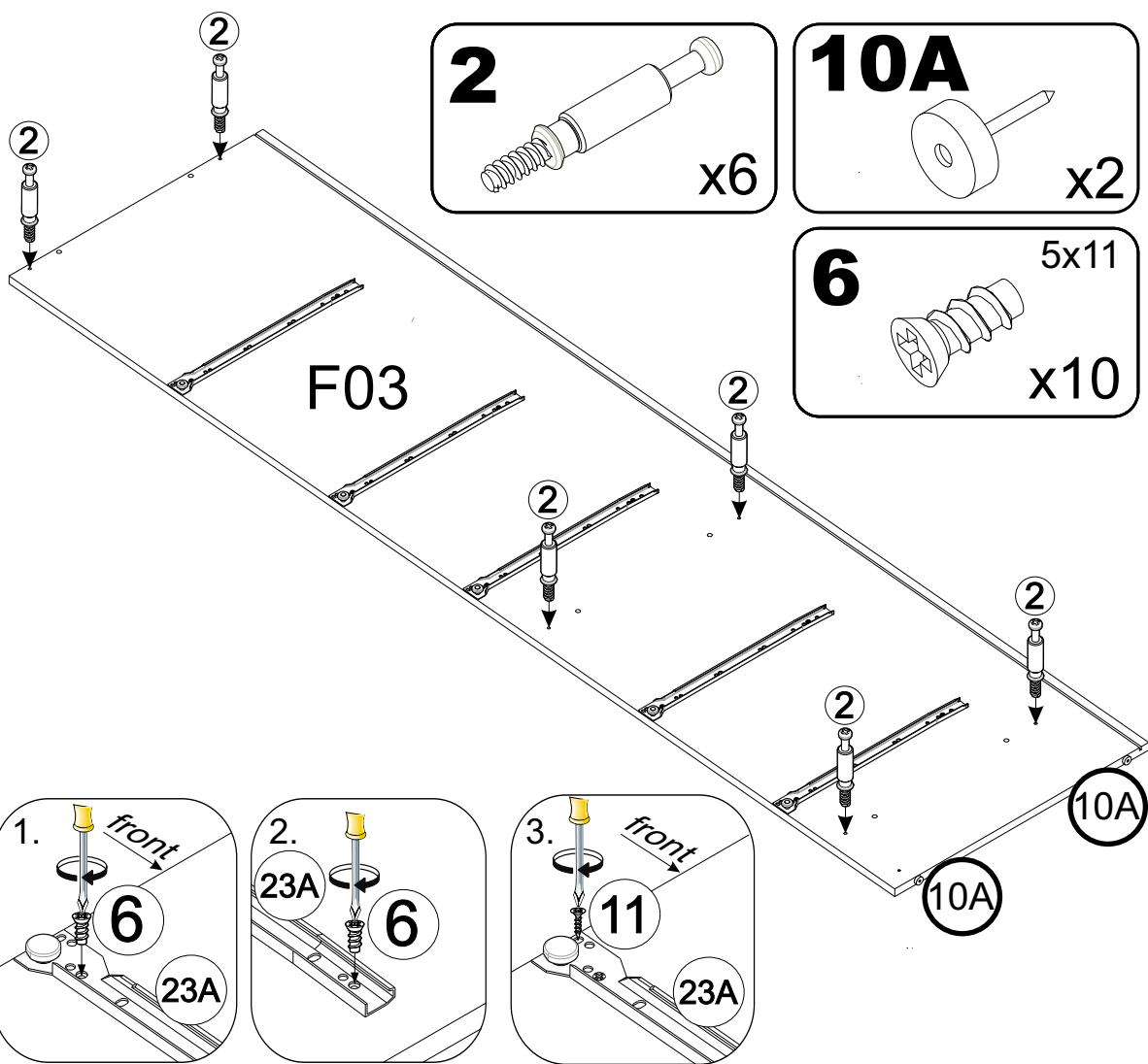
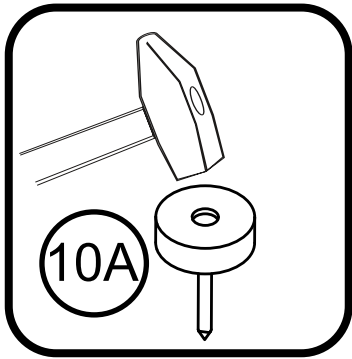
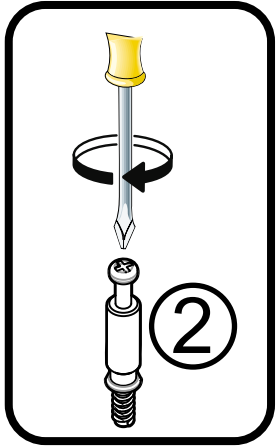
# 3



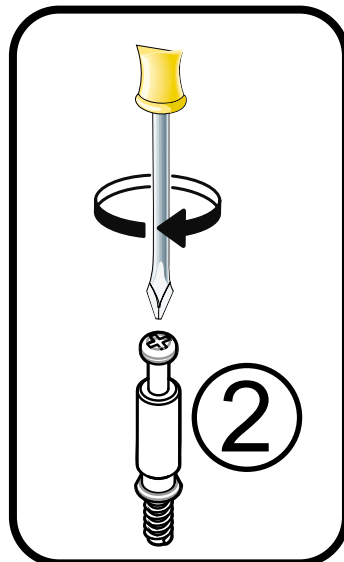
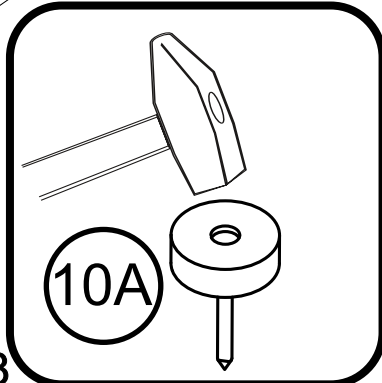
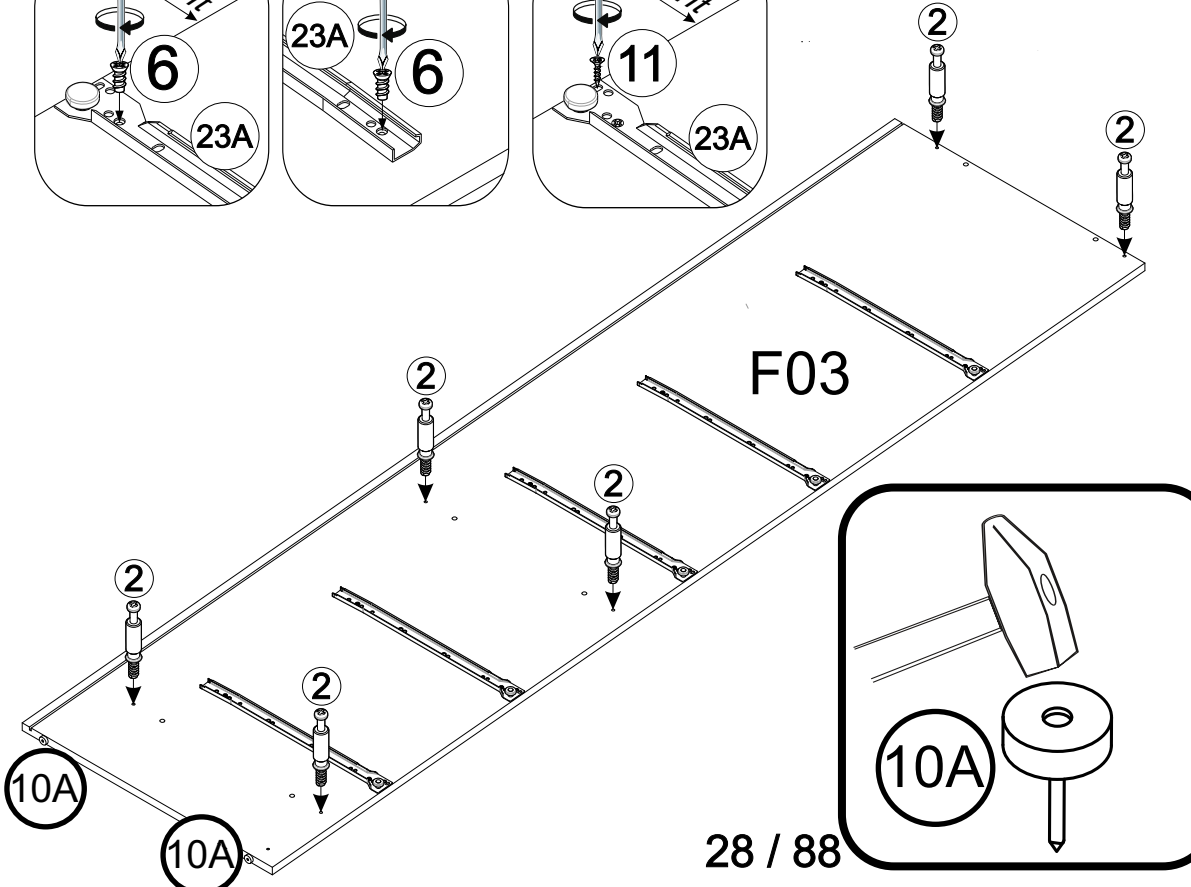
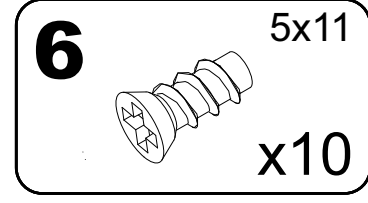
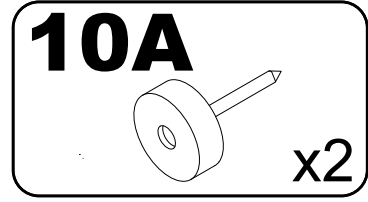
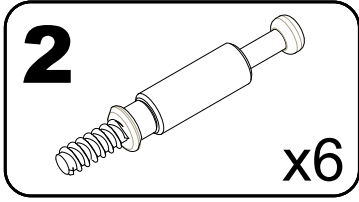
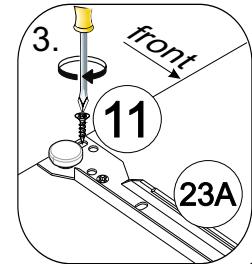
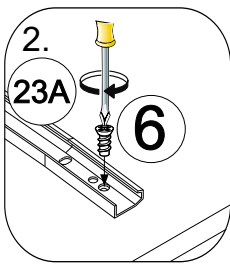
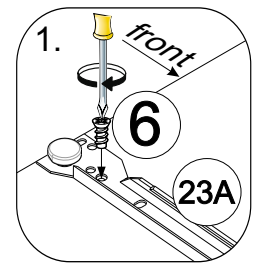
# 4



# 1

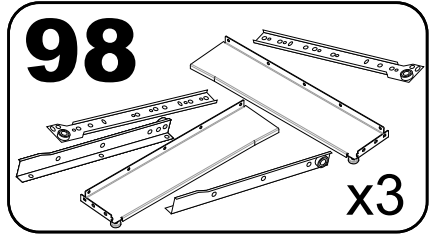
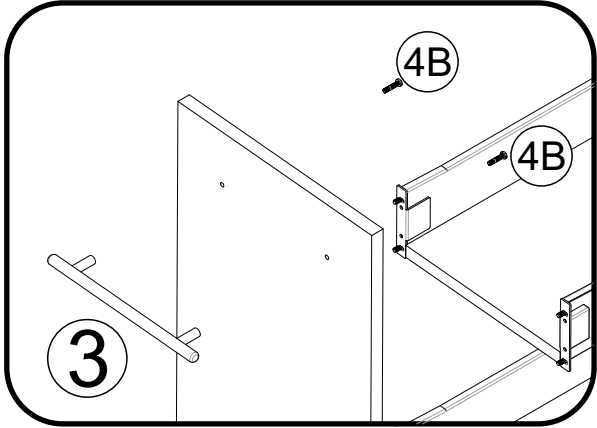
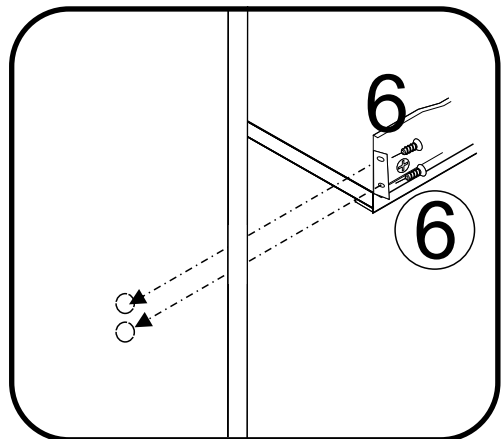
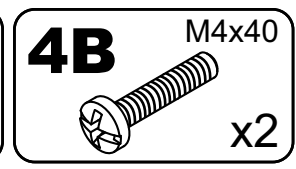
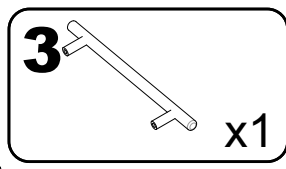
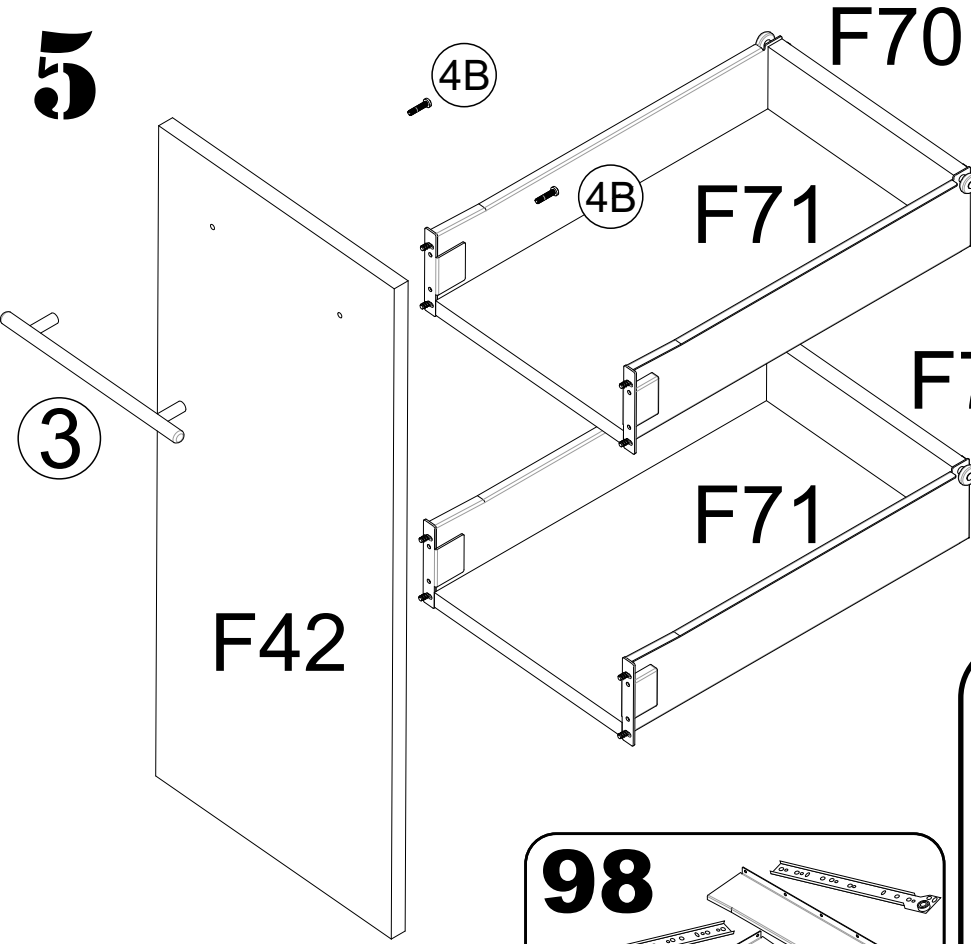


# 2

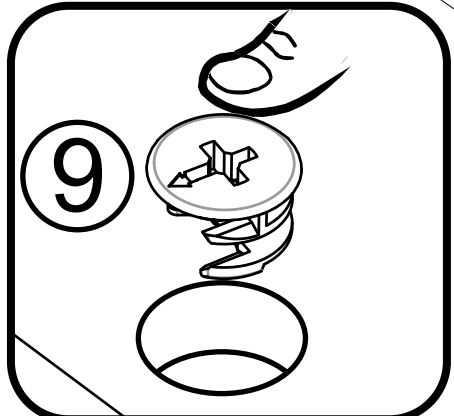
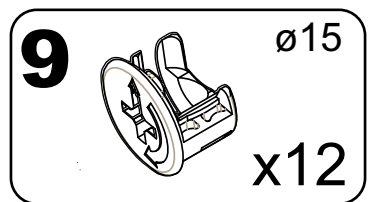
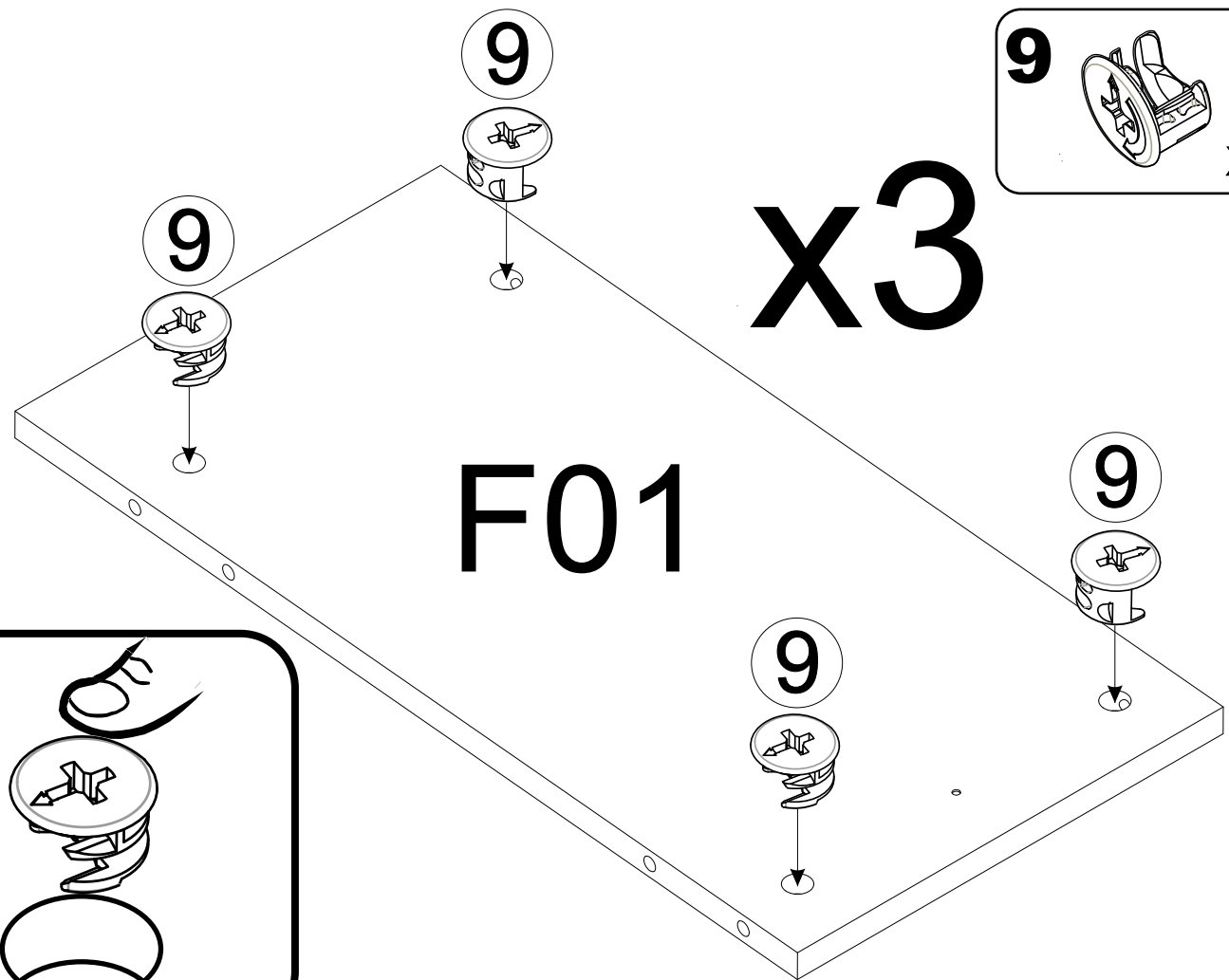




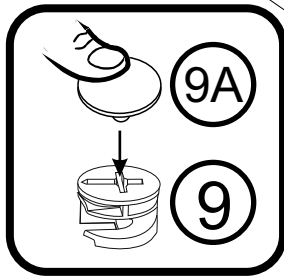
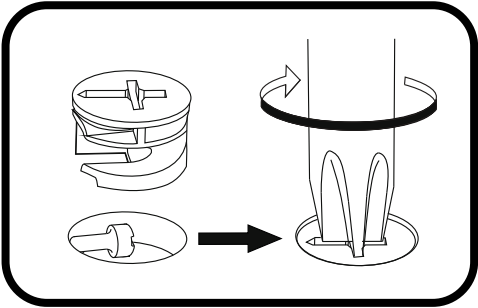
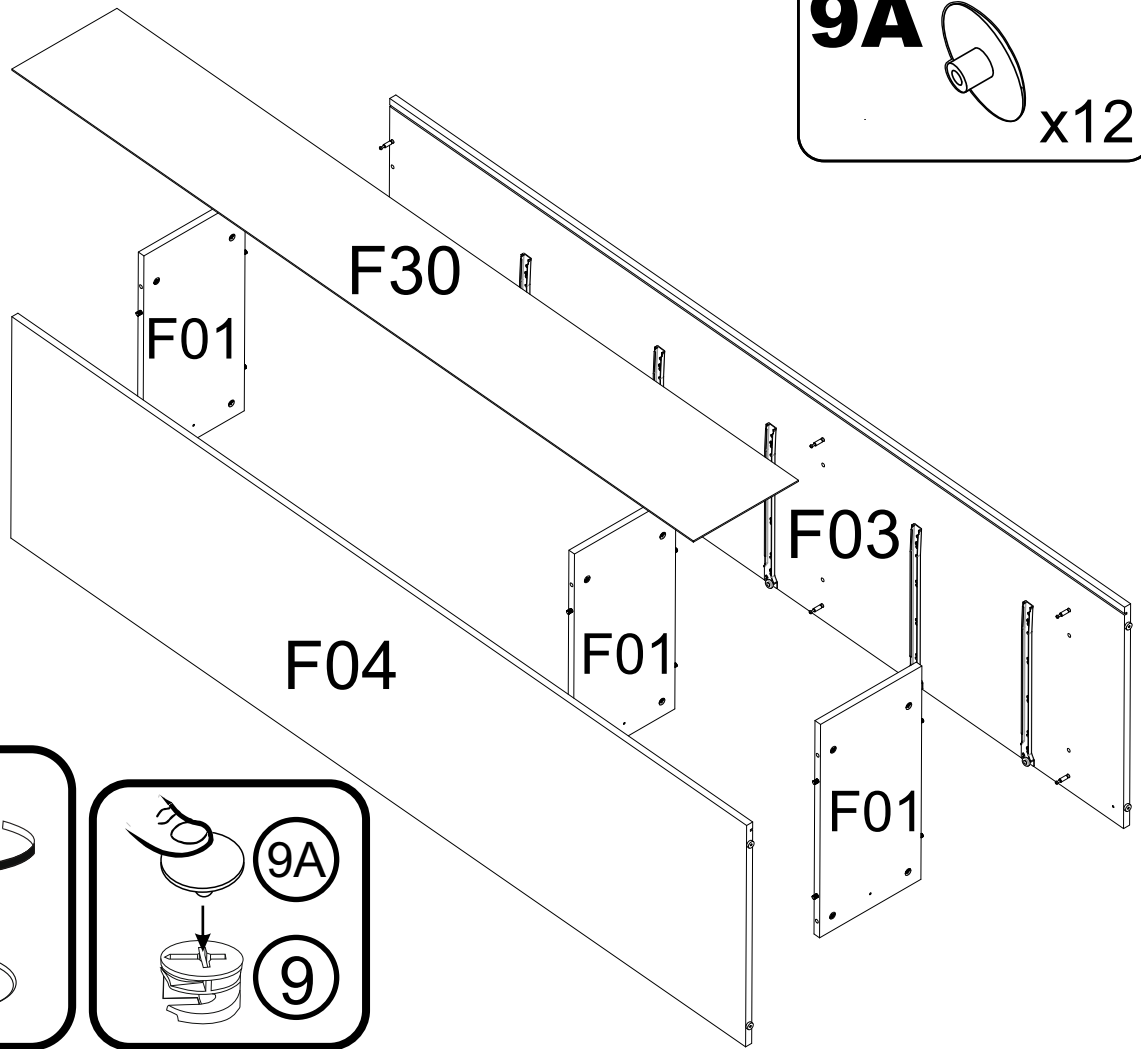
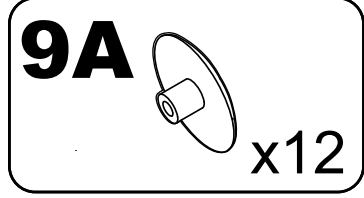
**5**



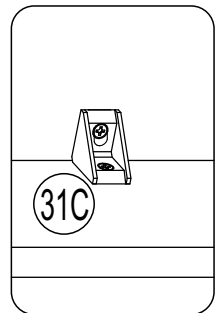
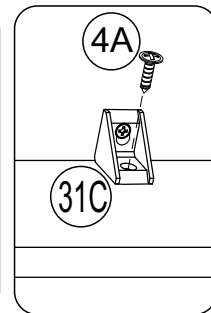
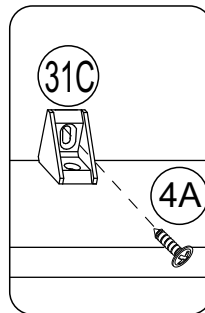
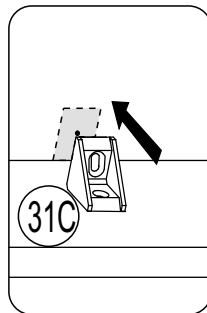
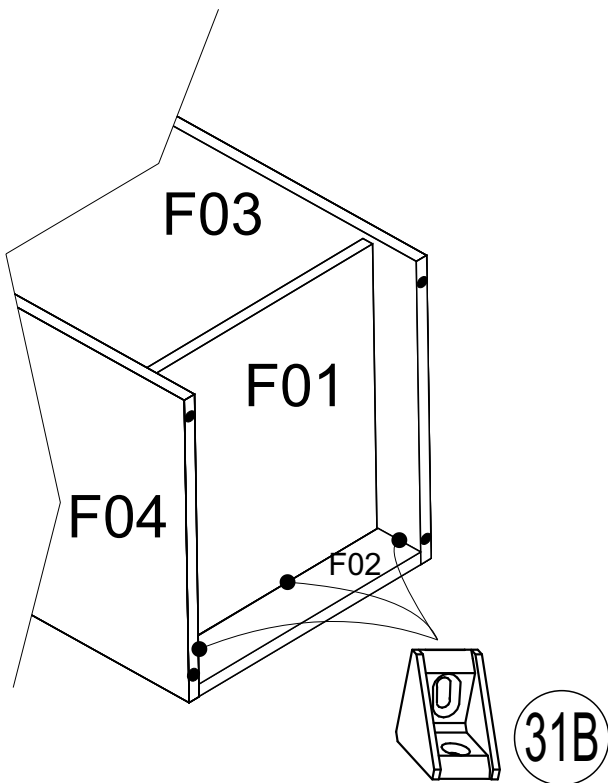
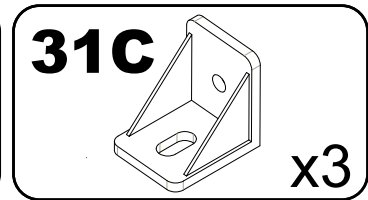
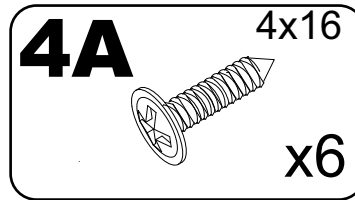
**6**



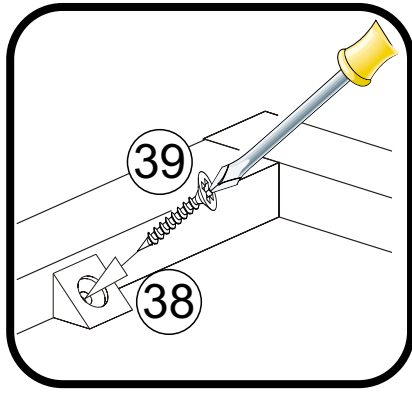
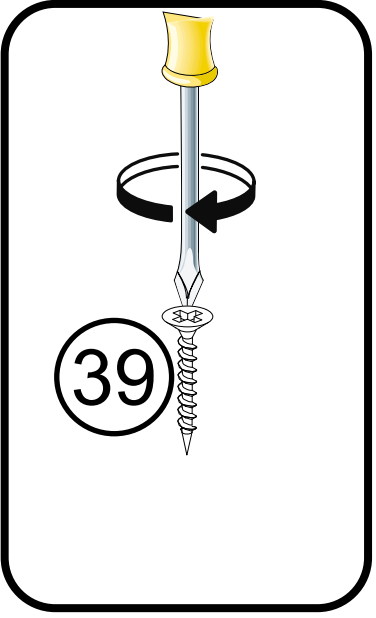
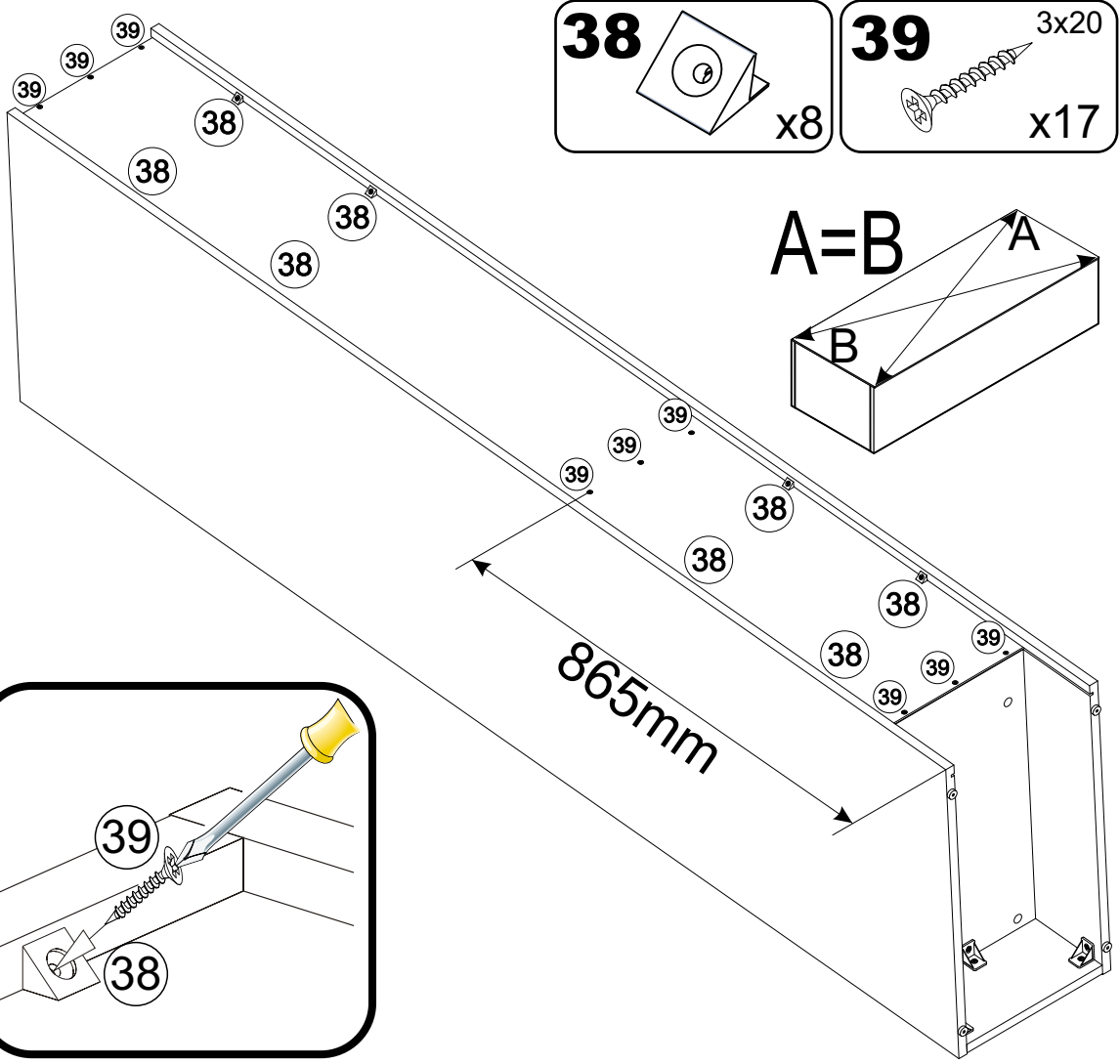
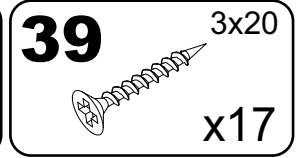
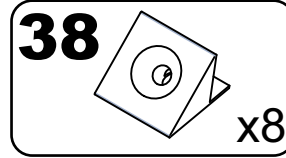
7



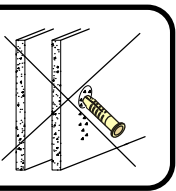
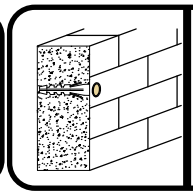
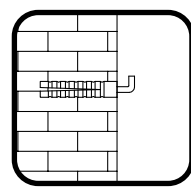
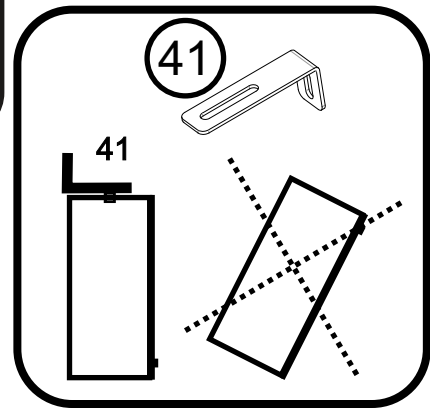
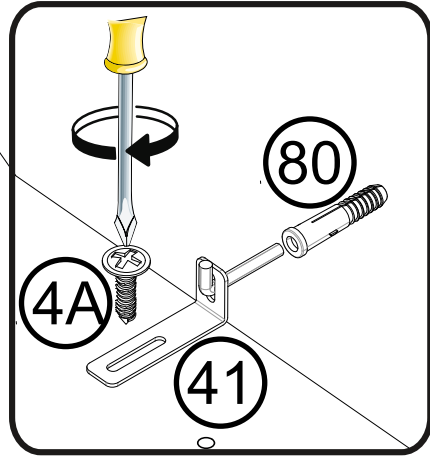
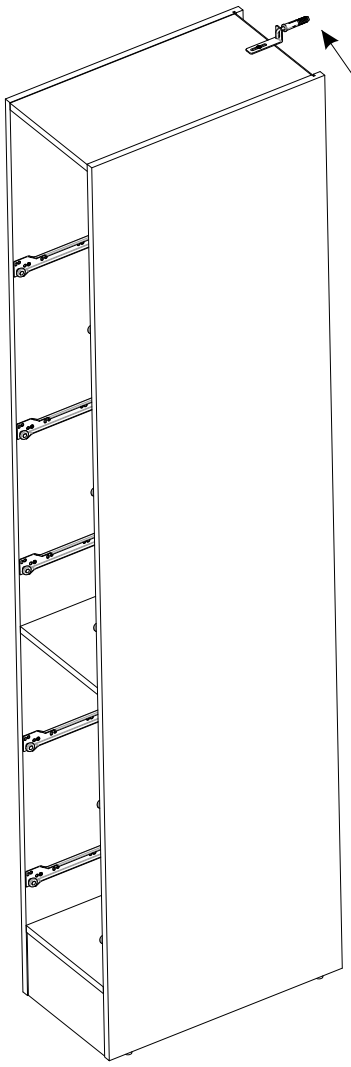
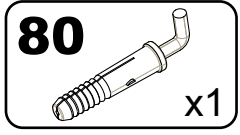
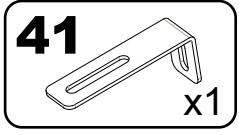
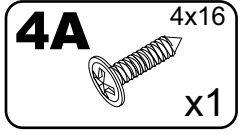
8



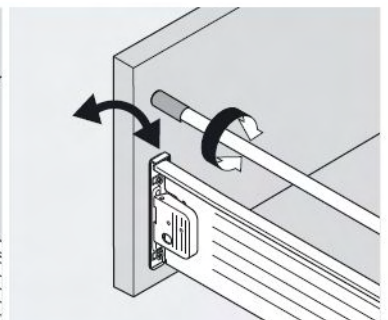
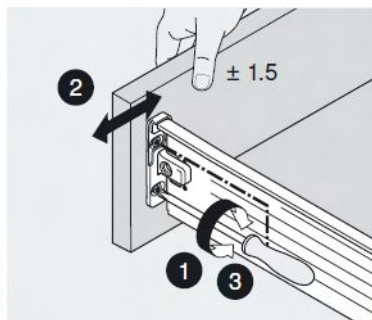
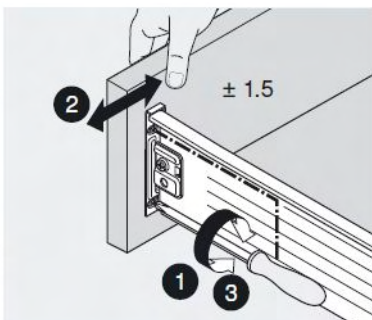
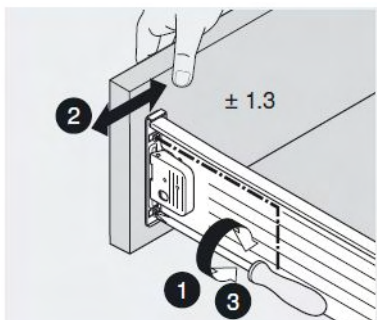
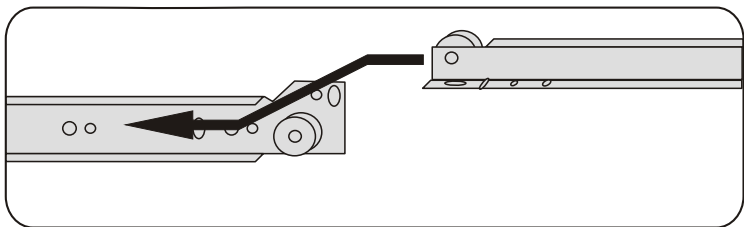
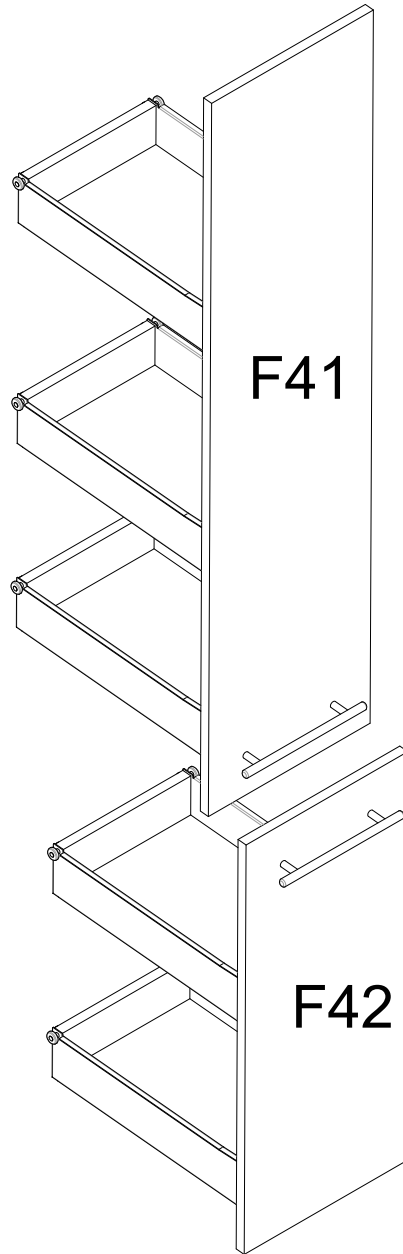
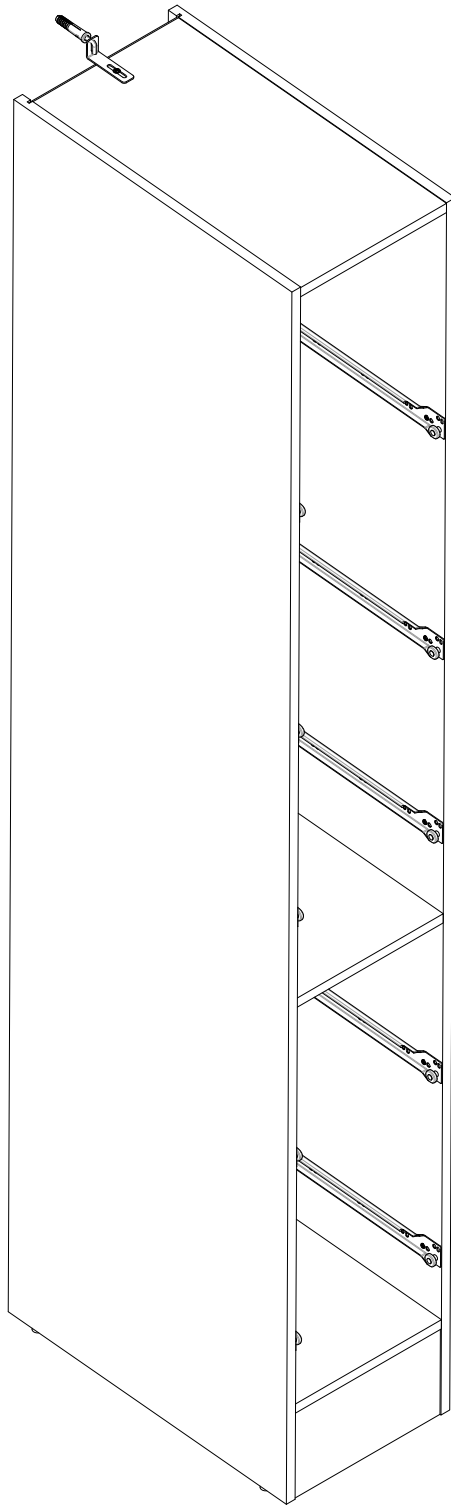
# 9



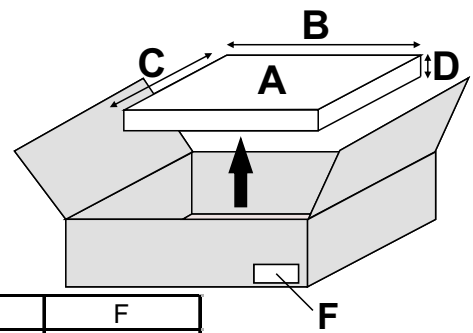
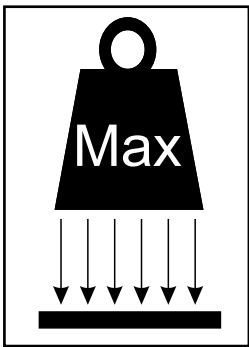
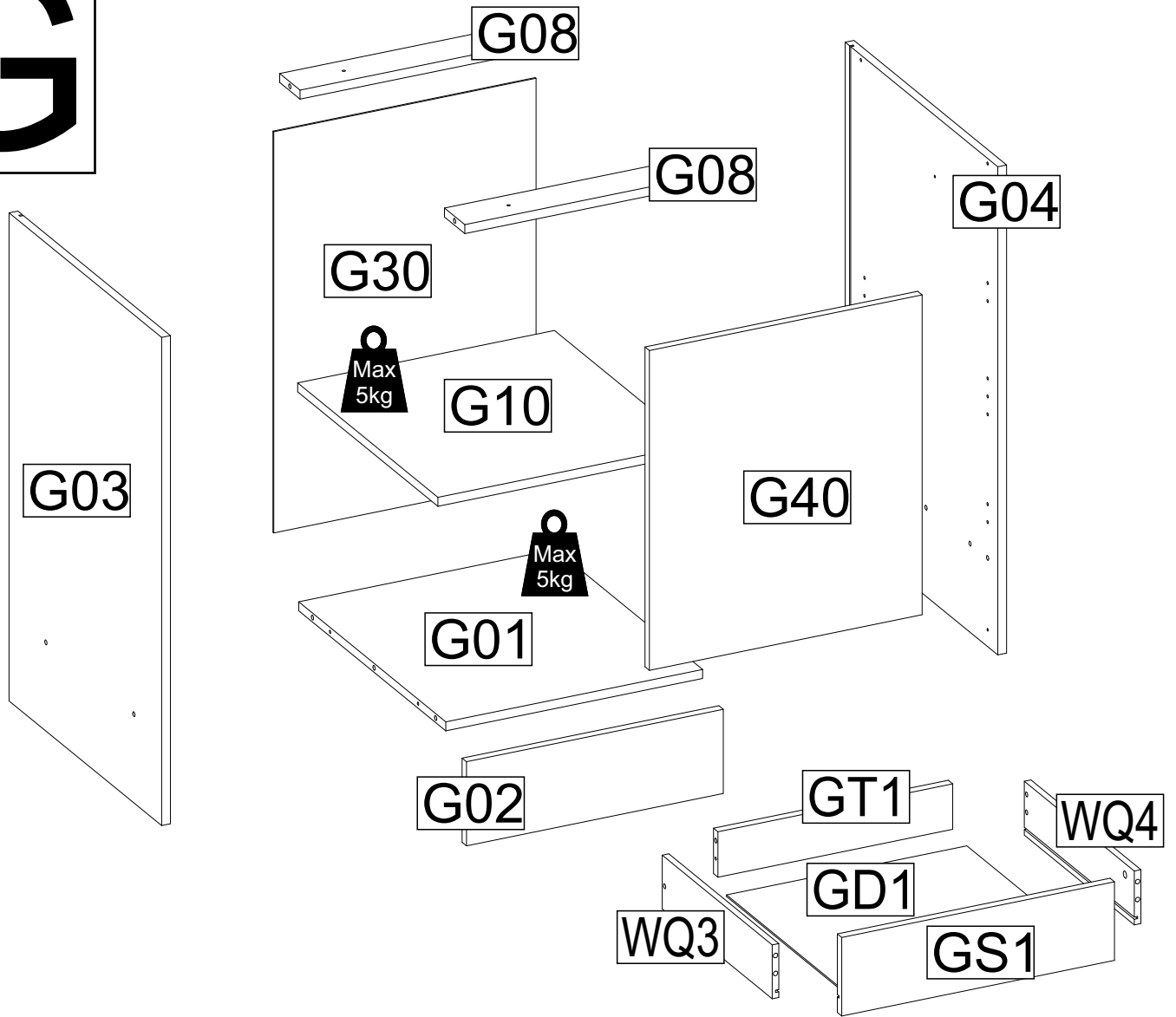
# 10



# 11

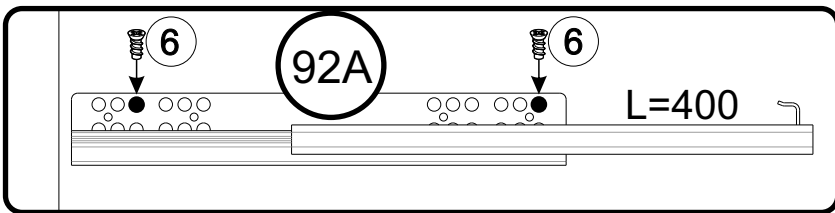
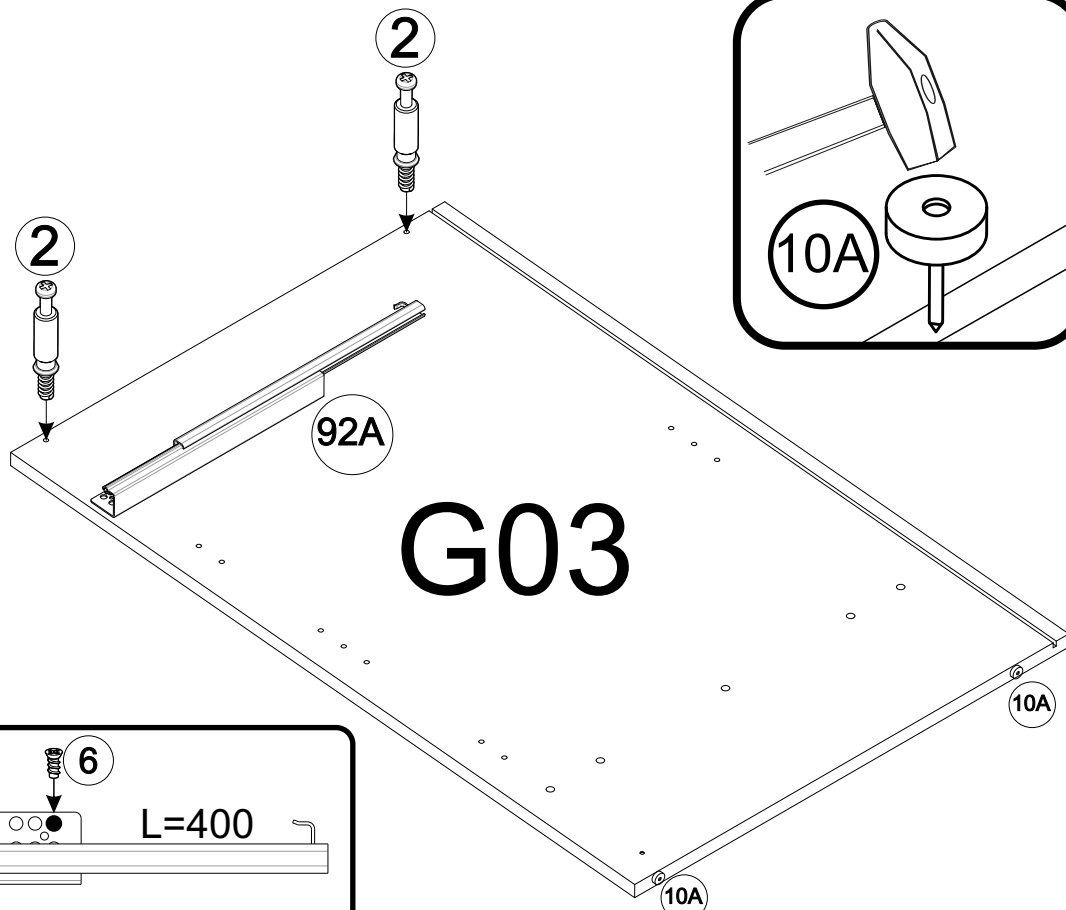
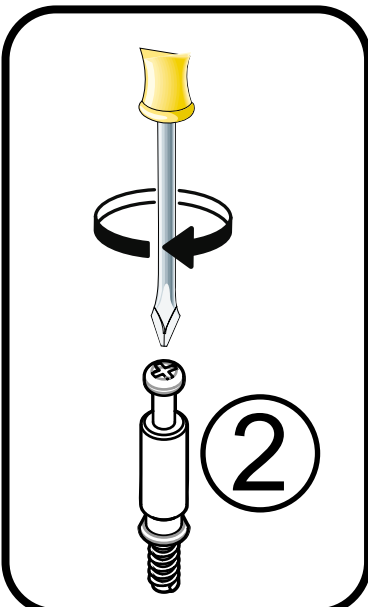
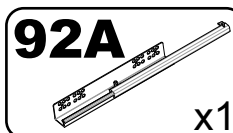
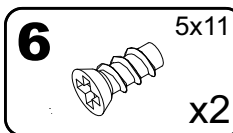
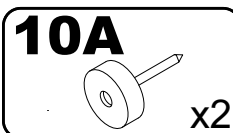
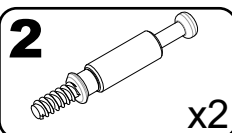


# G

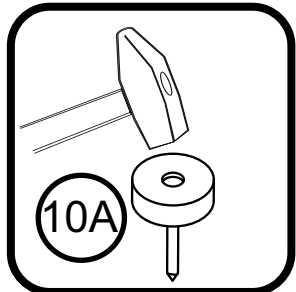
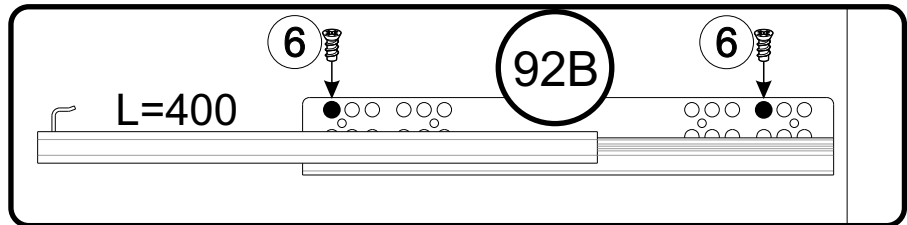
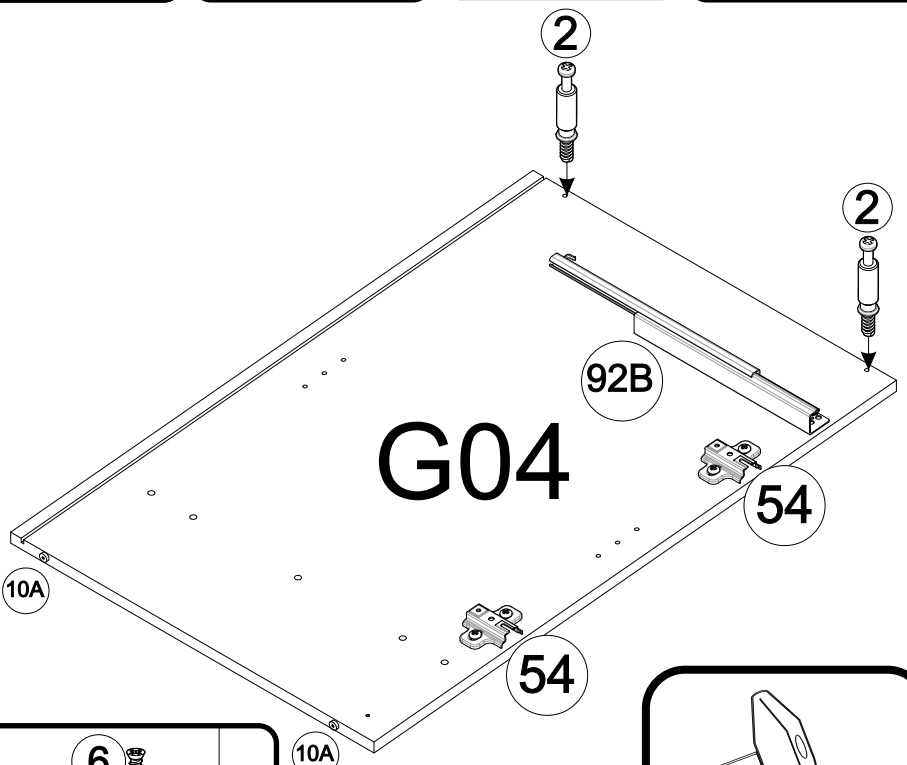
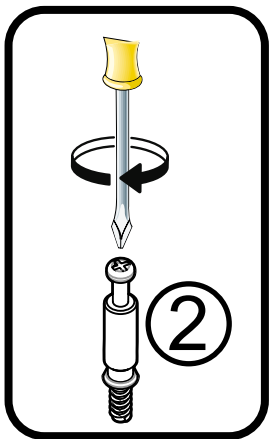
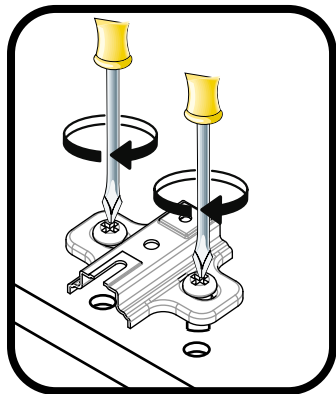
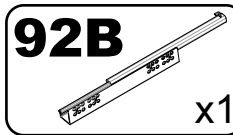
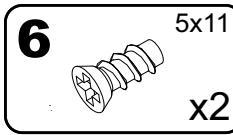
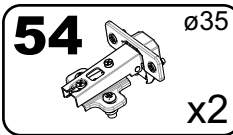
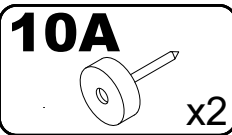
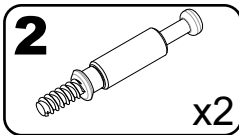


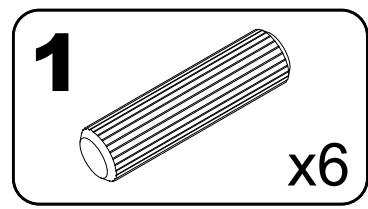
A	B (mm)	C (mm)	D (mm)	E	F
G01	467	535	16	1	4 10
G02	467	150	16	1	4 10
G03	870	555	16	1	4 10
G04	870	555	16	1	4 10
G08	467	74	16	2	4 10
G10	467	510	16	1	4 10
G30	715	477	3	1	4 10
G40	570	496	16	1	4 10
GD1	437	403	3	1	4 10
GS1	496	140	16	1	4 10
GT1	427	81	16	1	4 10
WQ3	400	96	12	1	4 10
WQ4	400	96	12	1	4 10

# 1

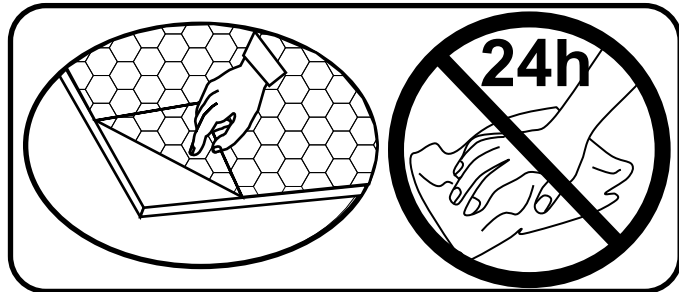
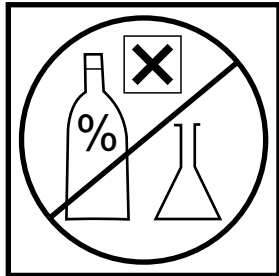
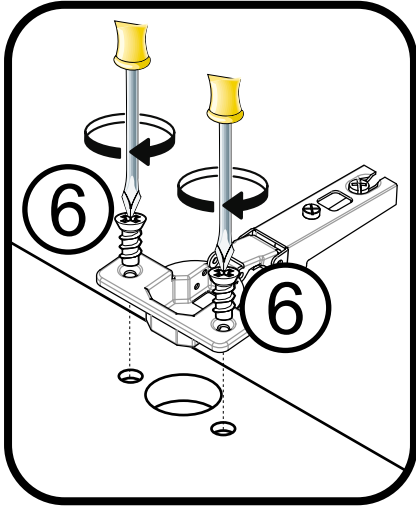
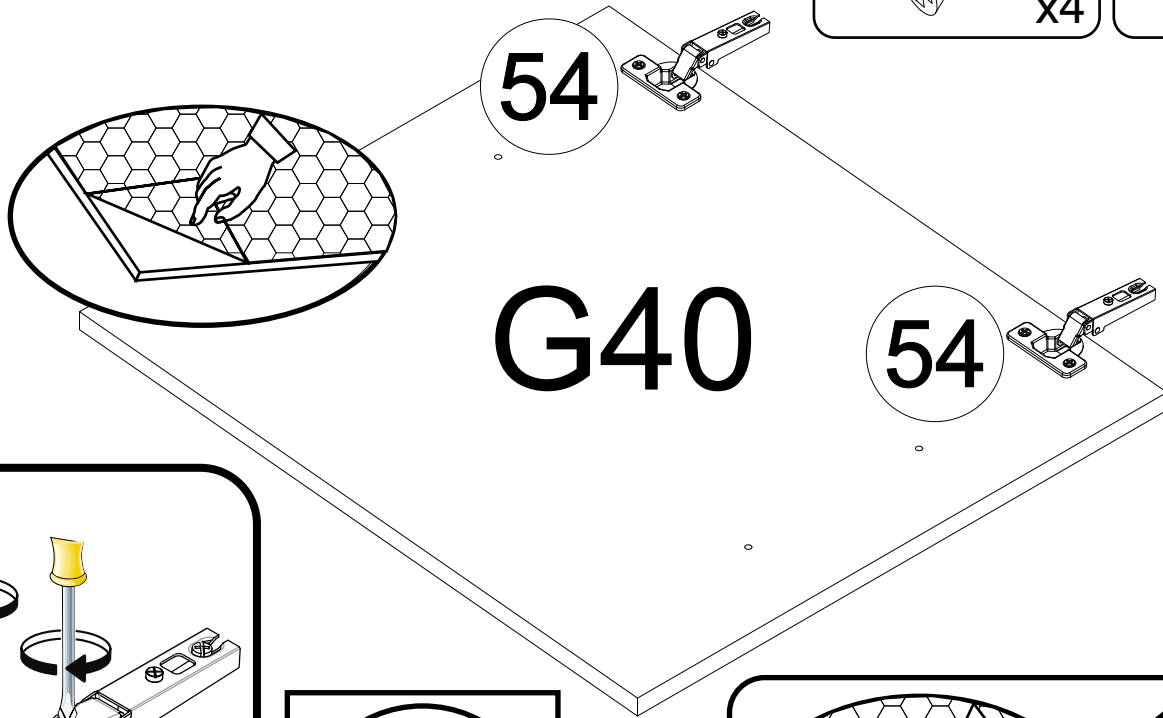
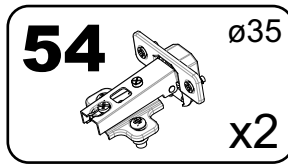
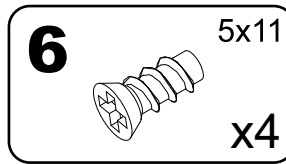


# 2

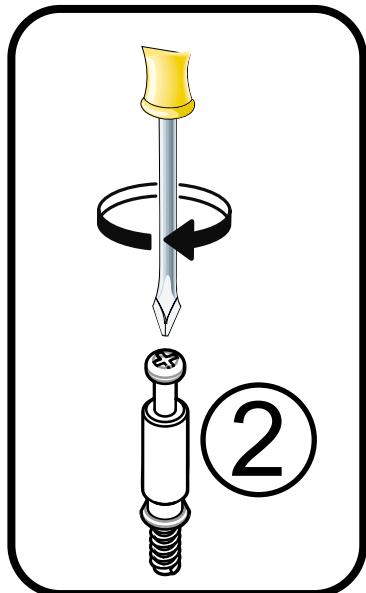
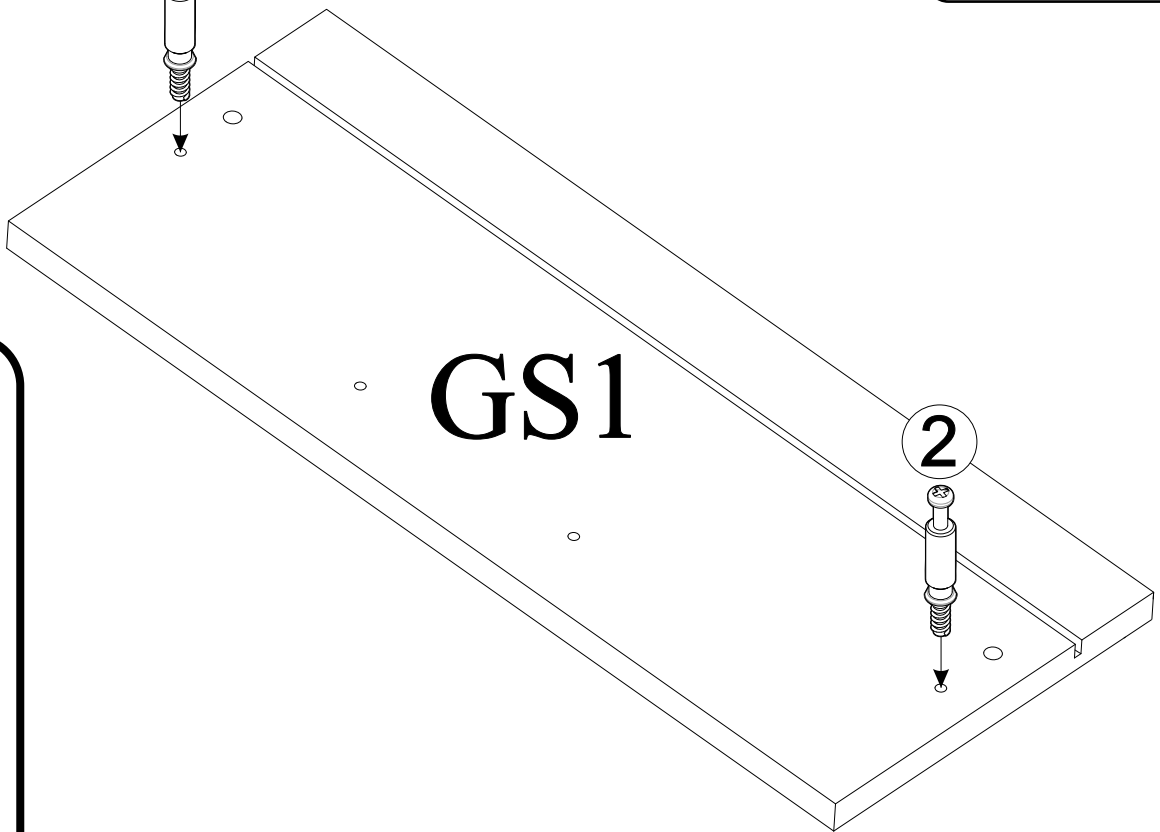
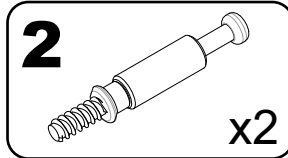
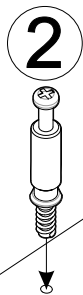




**5**

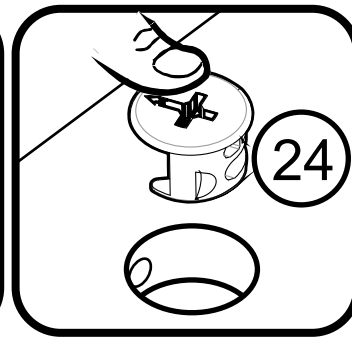
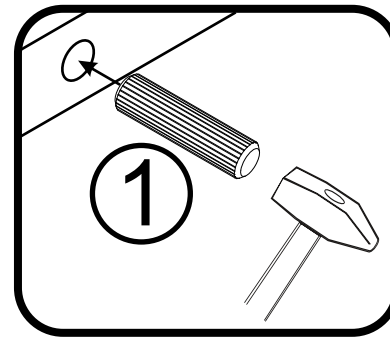
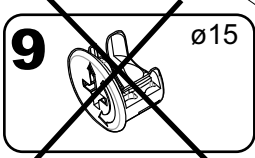
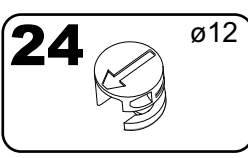
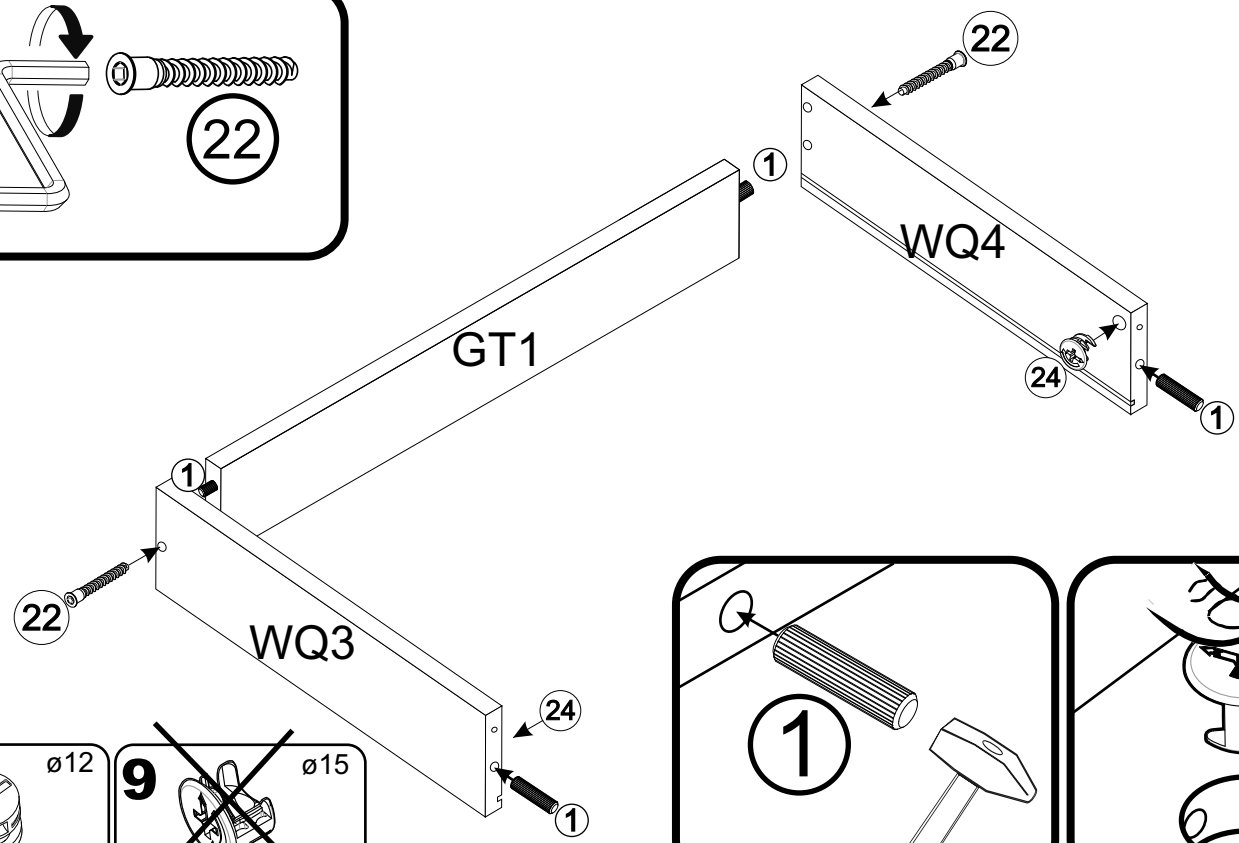
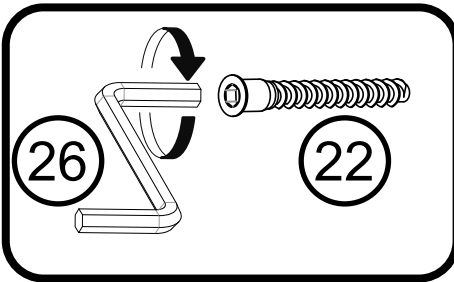
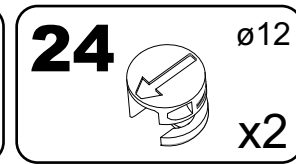
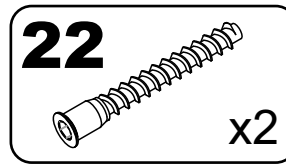
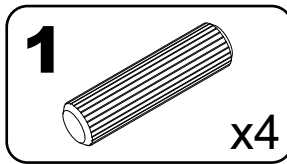


**6**

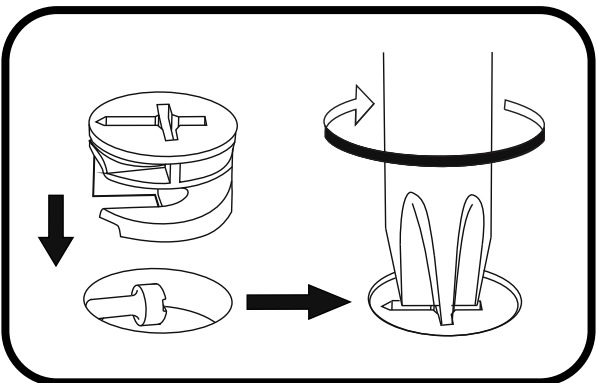
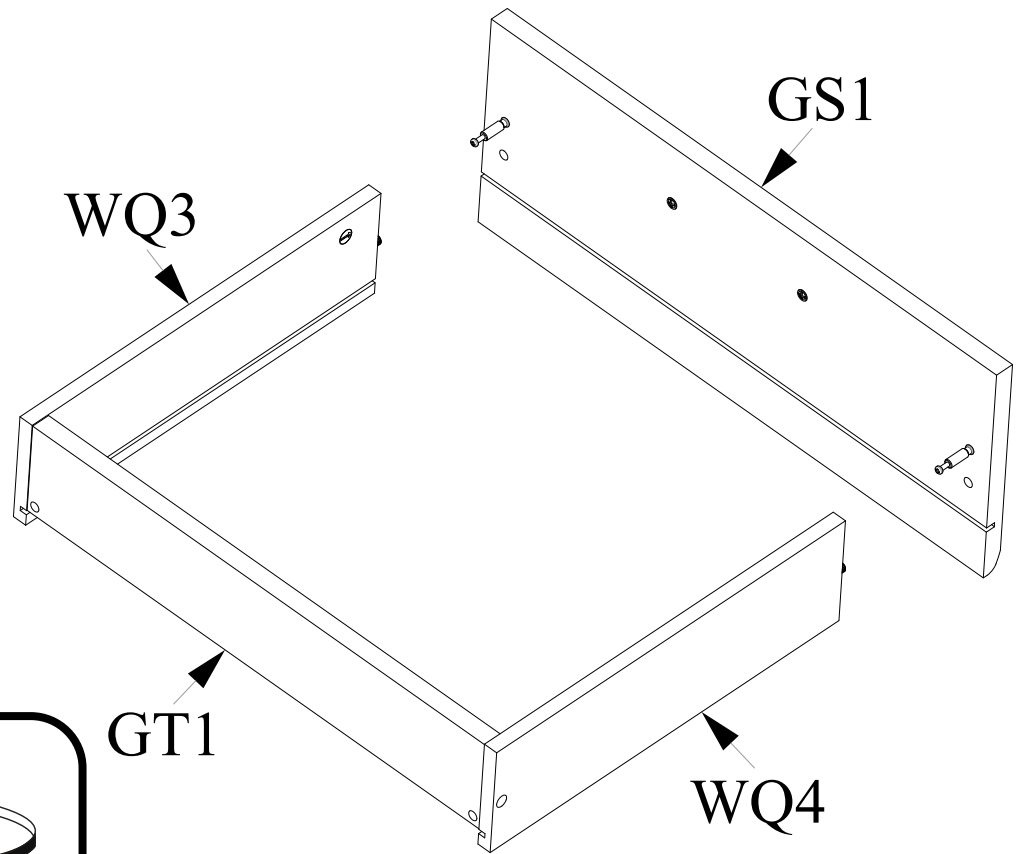




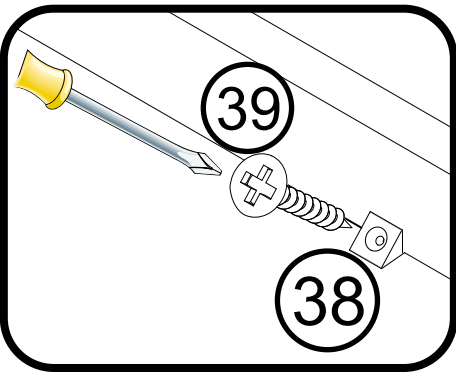
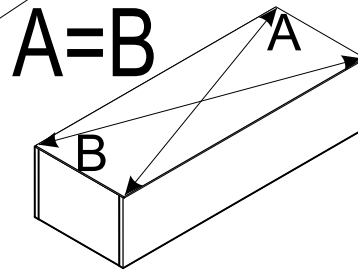
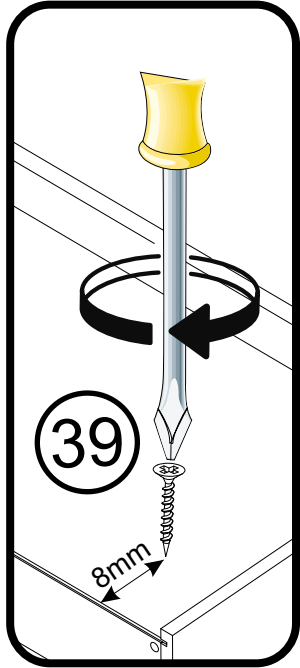
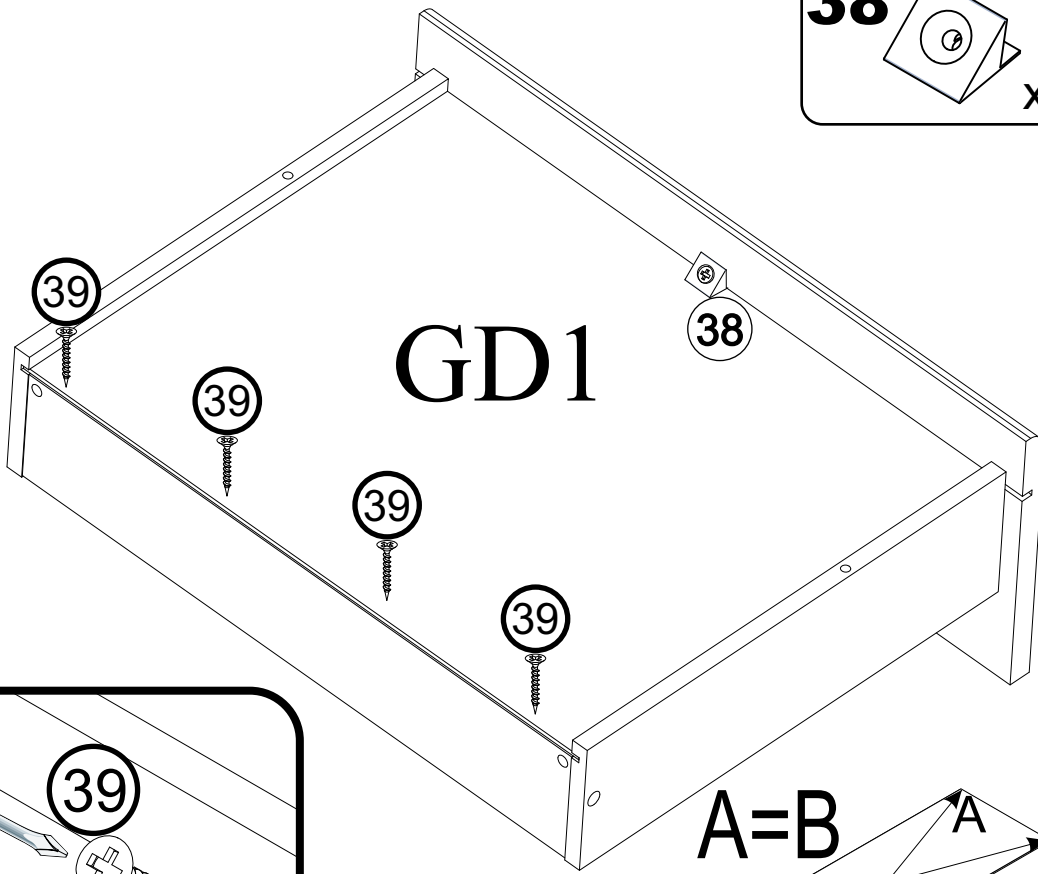
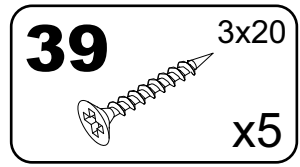
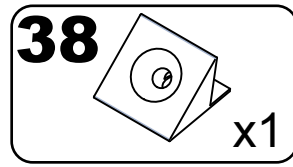
# 7



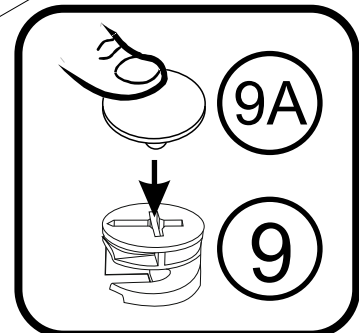
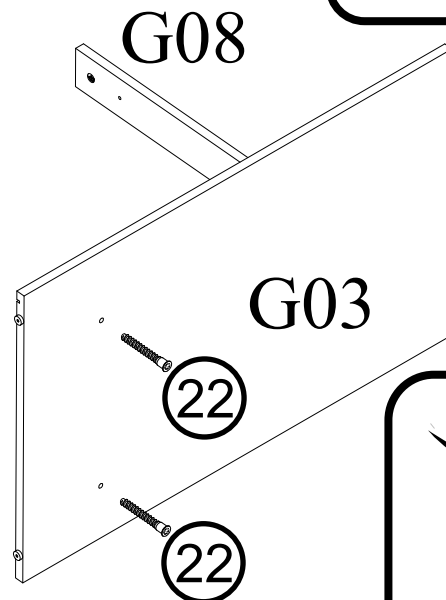
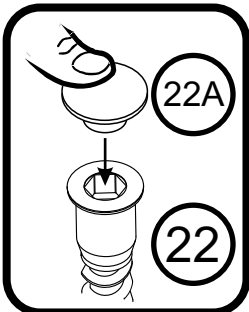
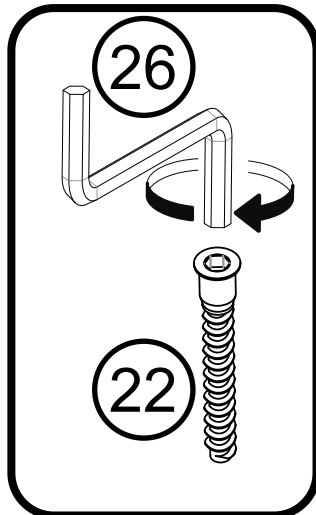
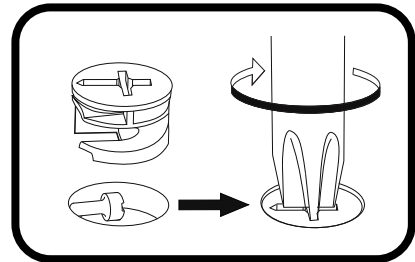
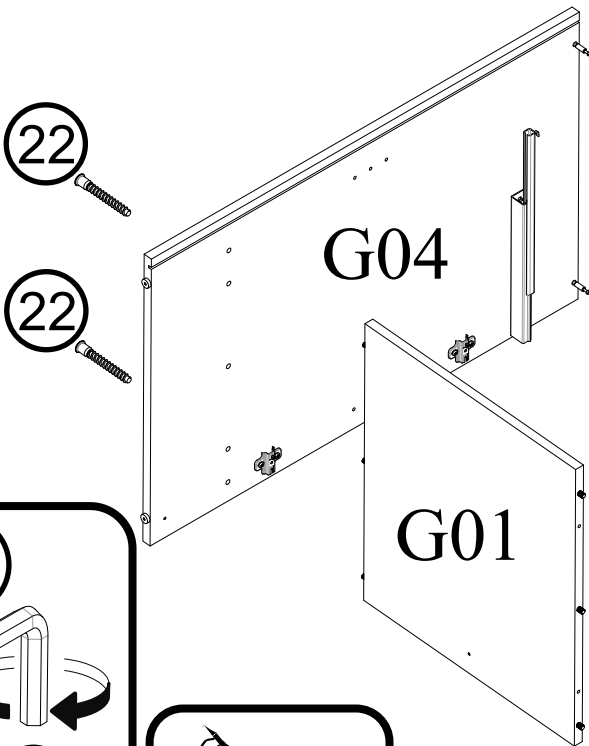
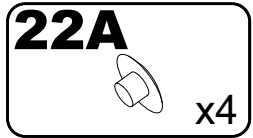
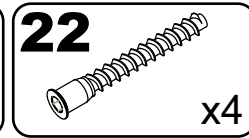
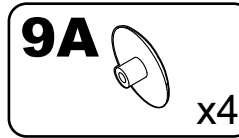
# 8



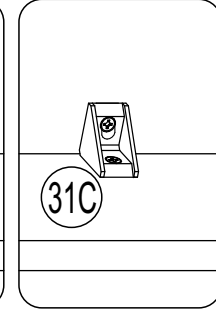
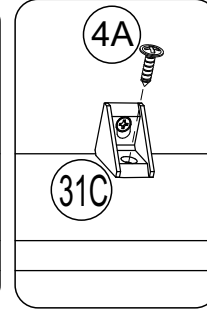
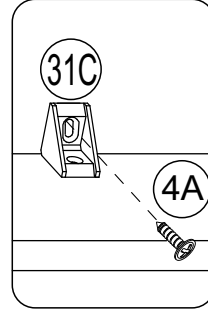
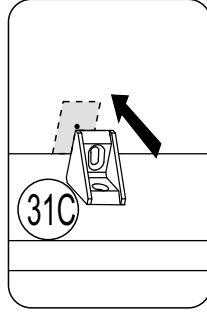
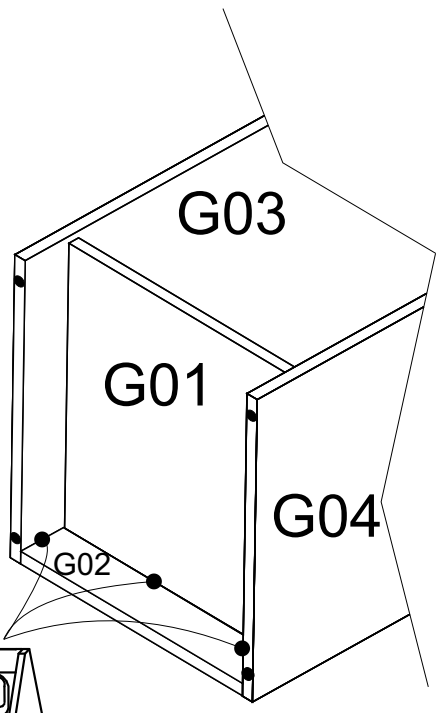
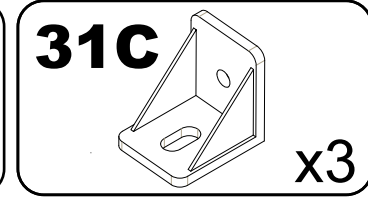
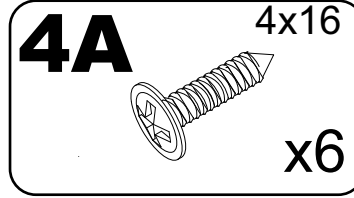
# 9



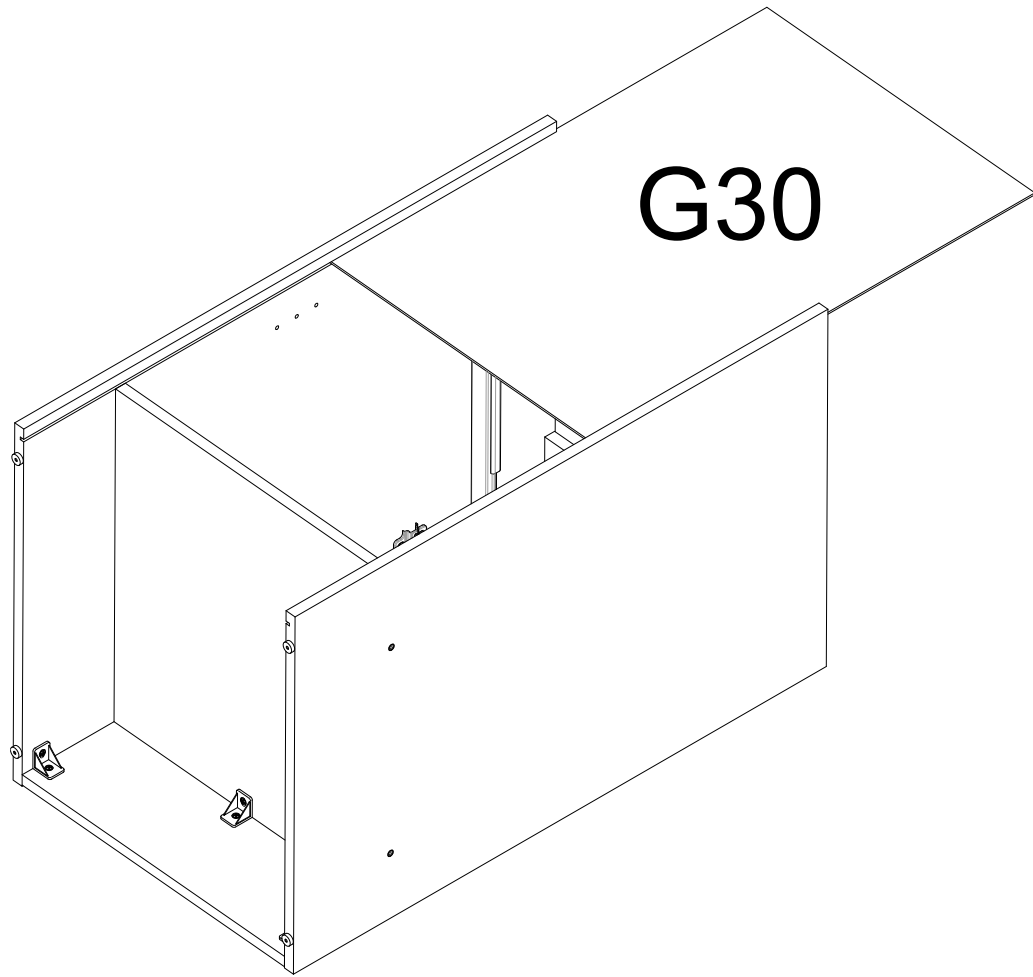
# 10



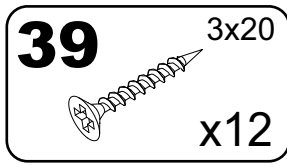
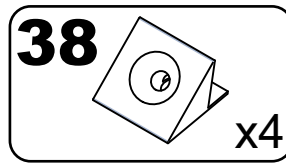
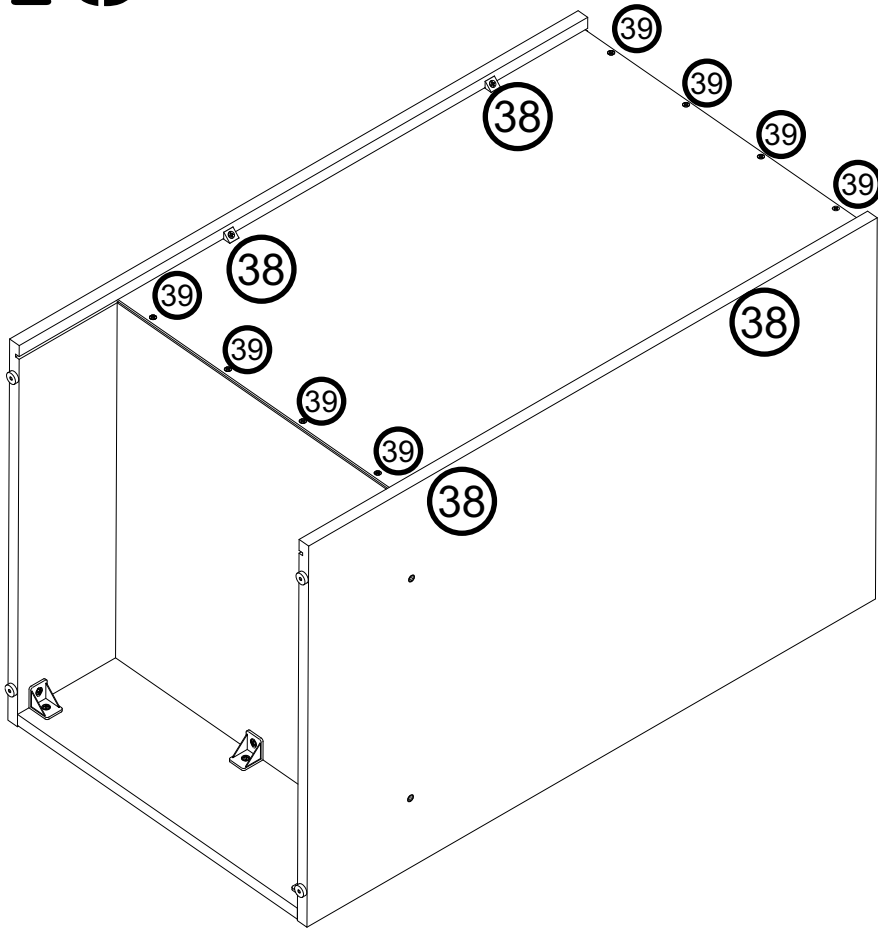
# 11



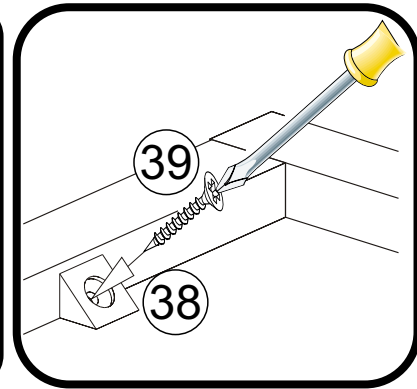
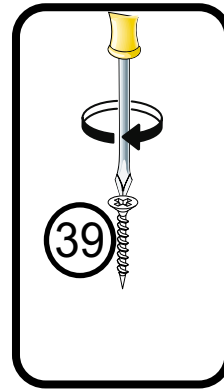
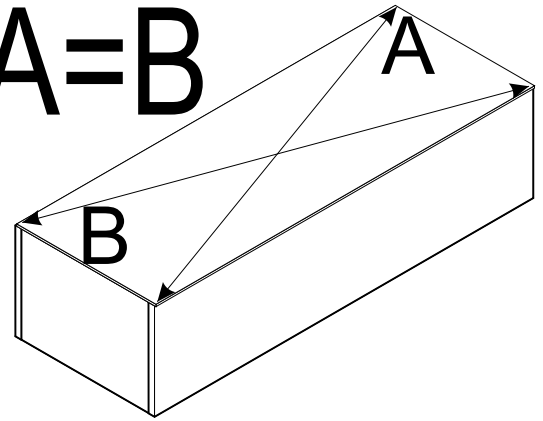
# 12



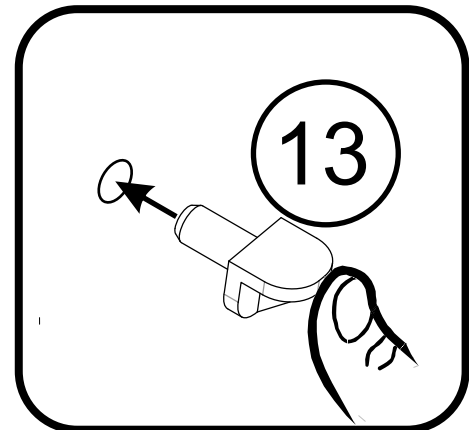
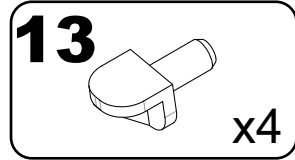
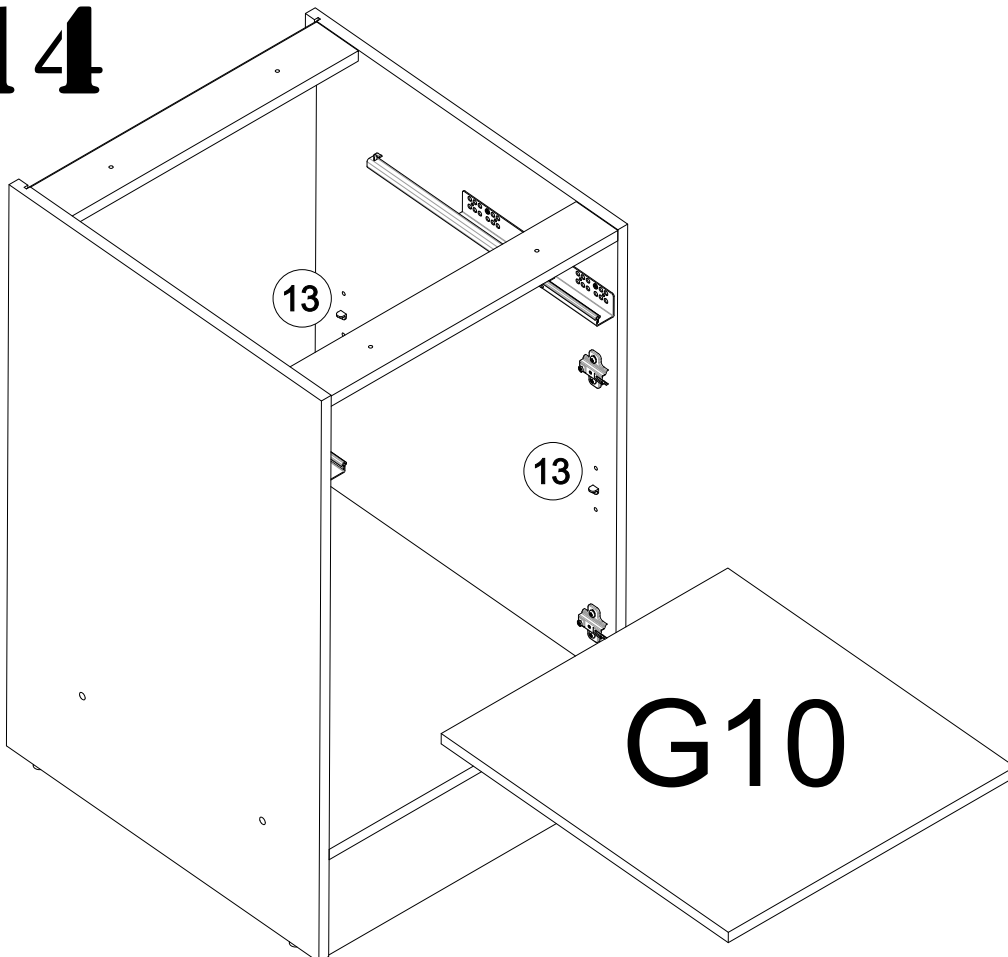
# 13



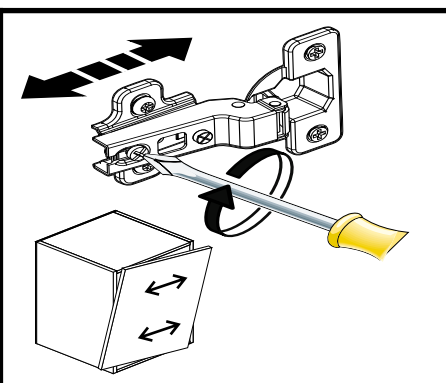
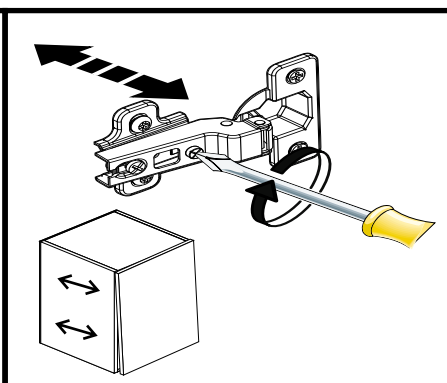
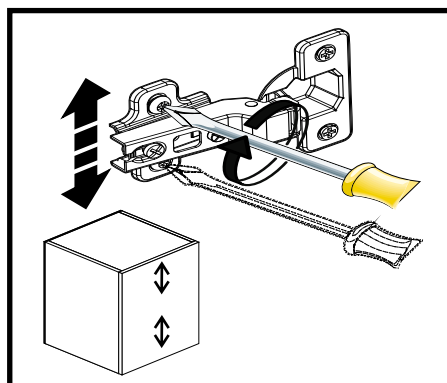
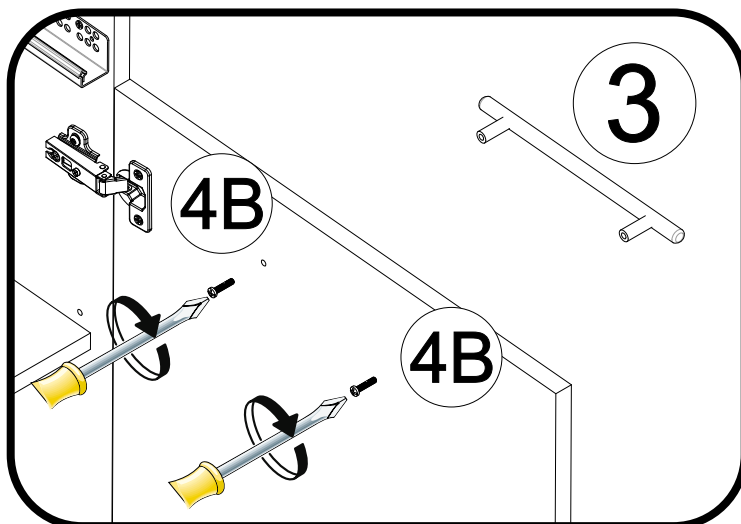
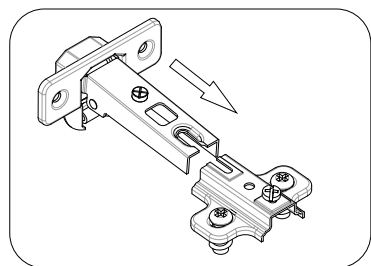
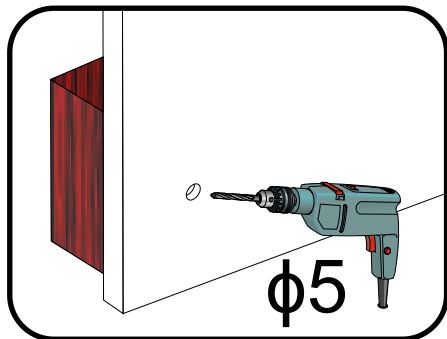
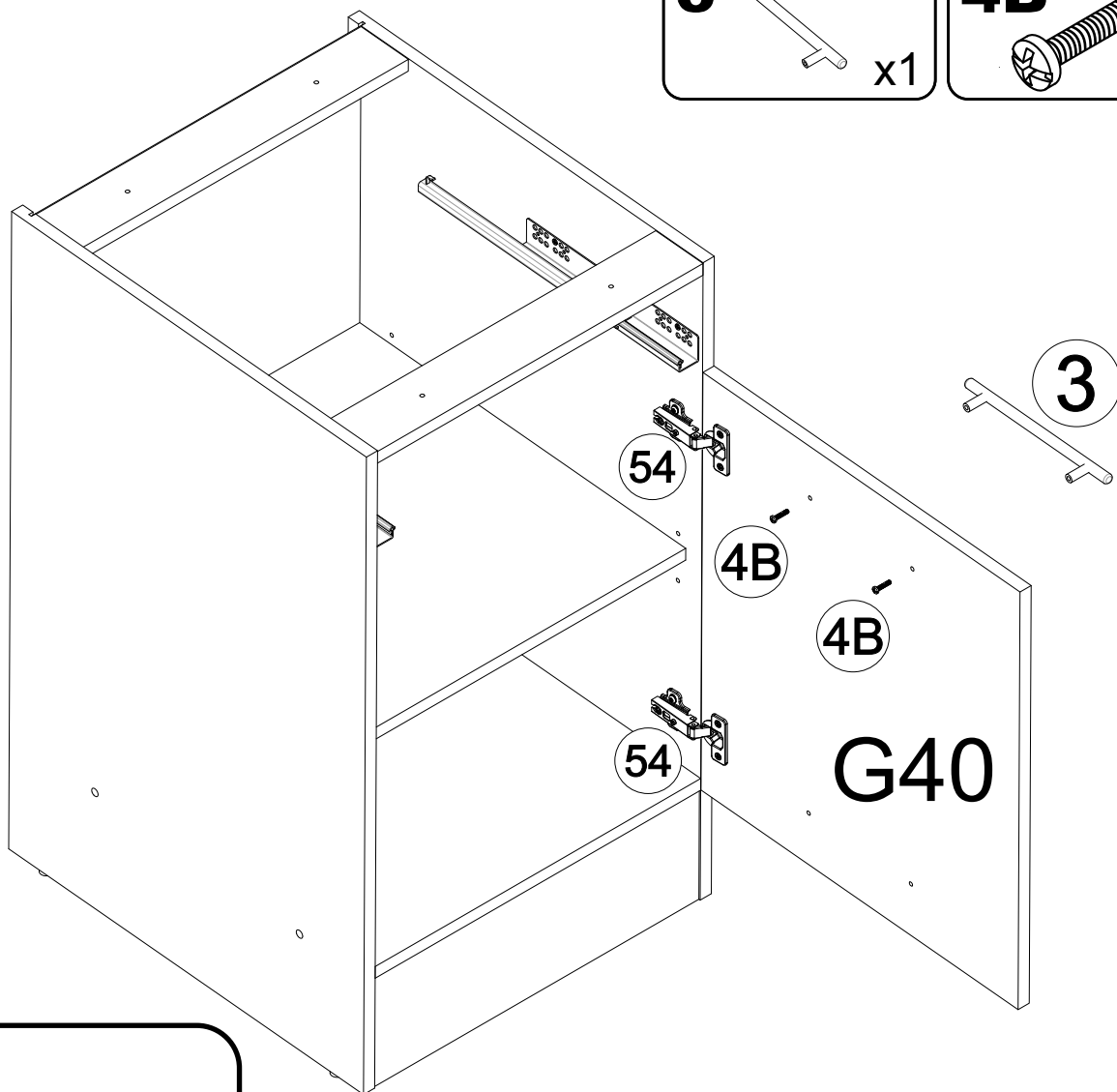
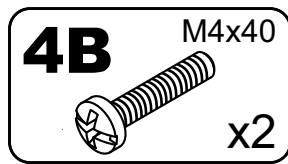
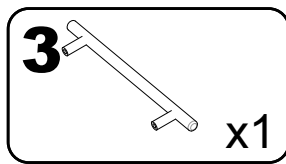
**A=B**



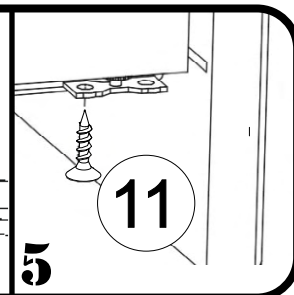
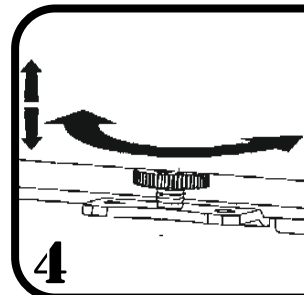
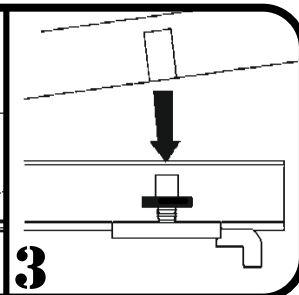
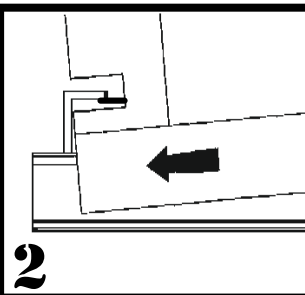
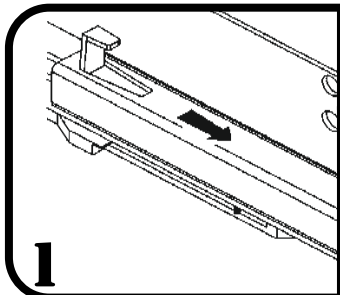
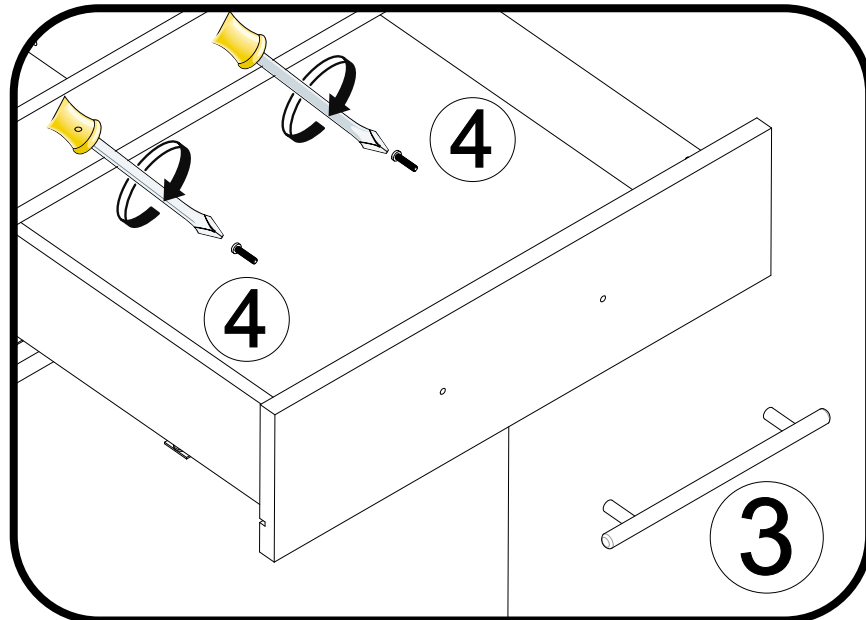
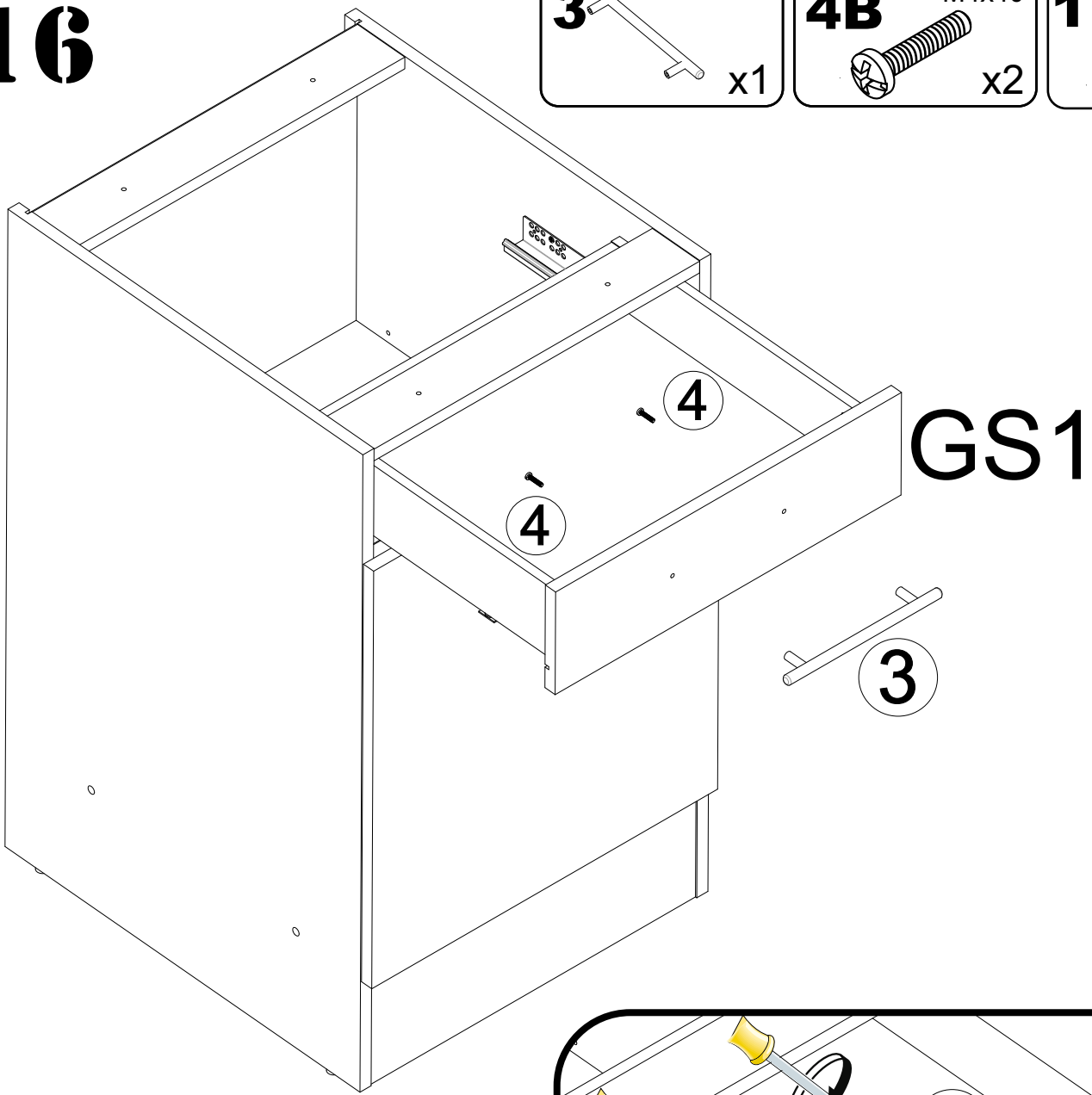
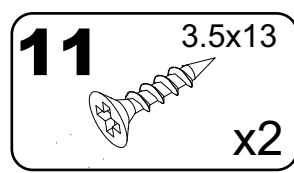
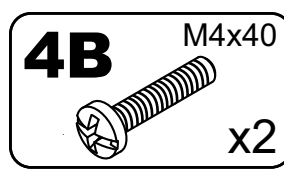
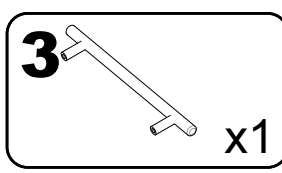
# 14



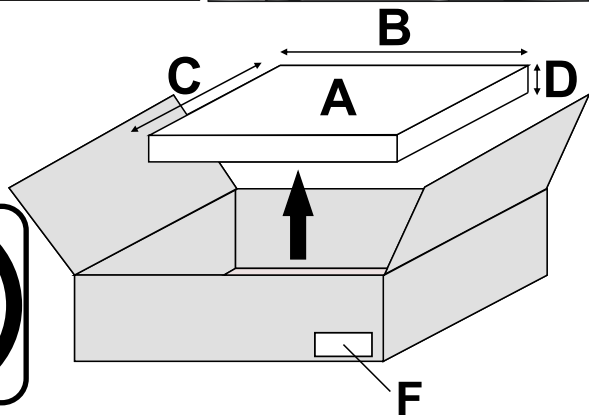
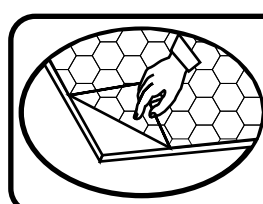
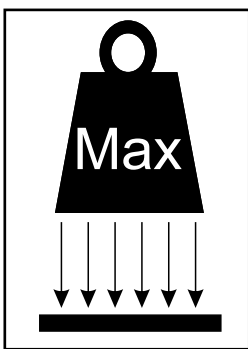
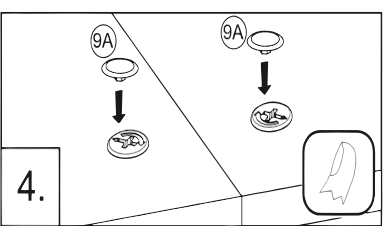
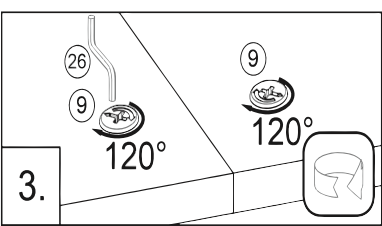
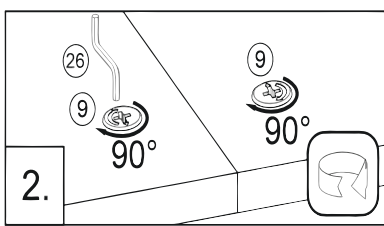
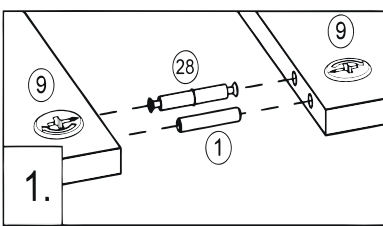
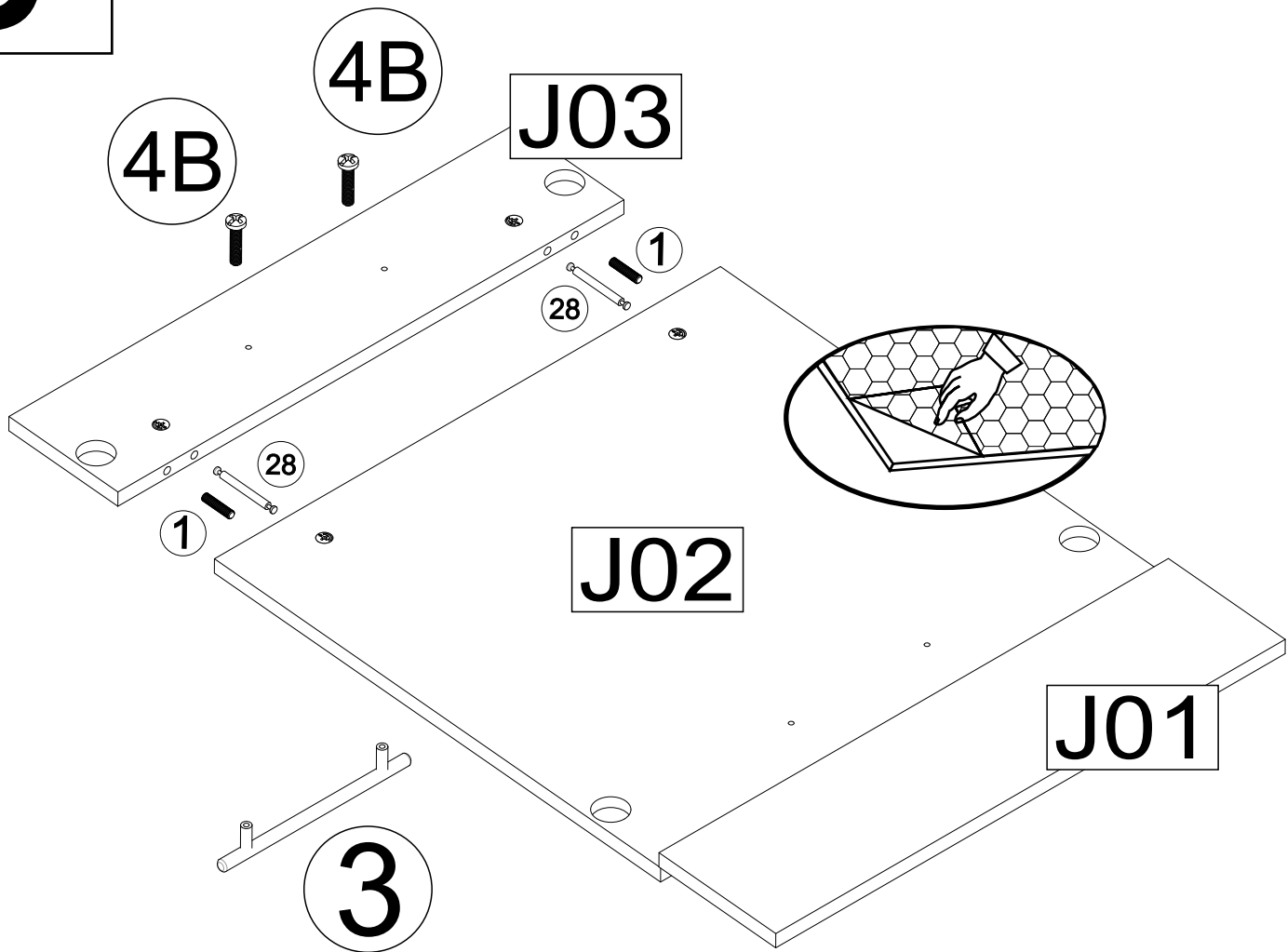
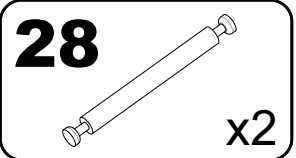
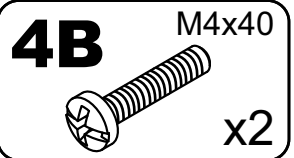
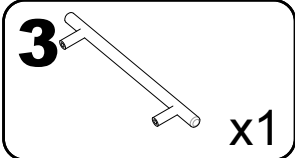
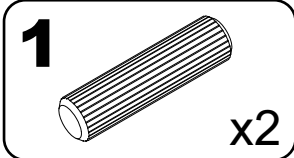
# 15



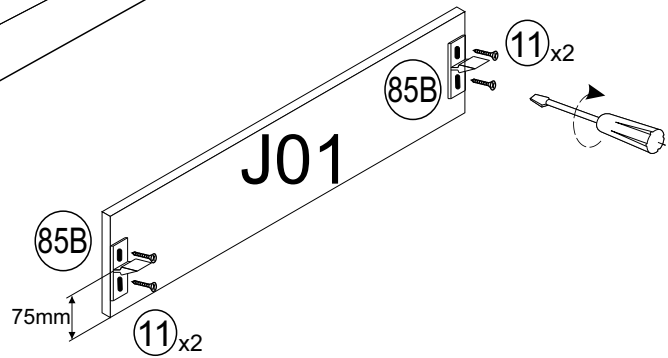
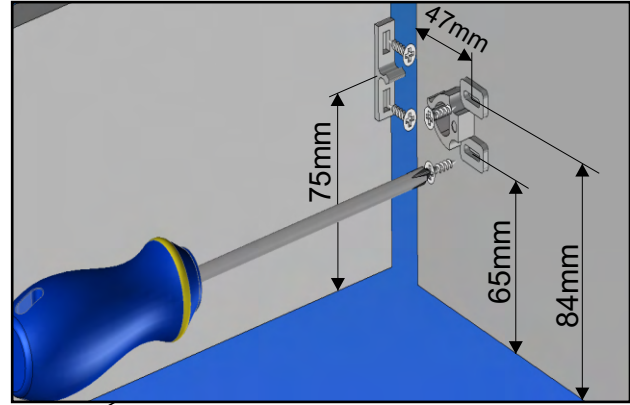
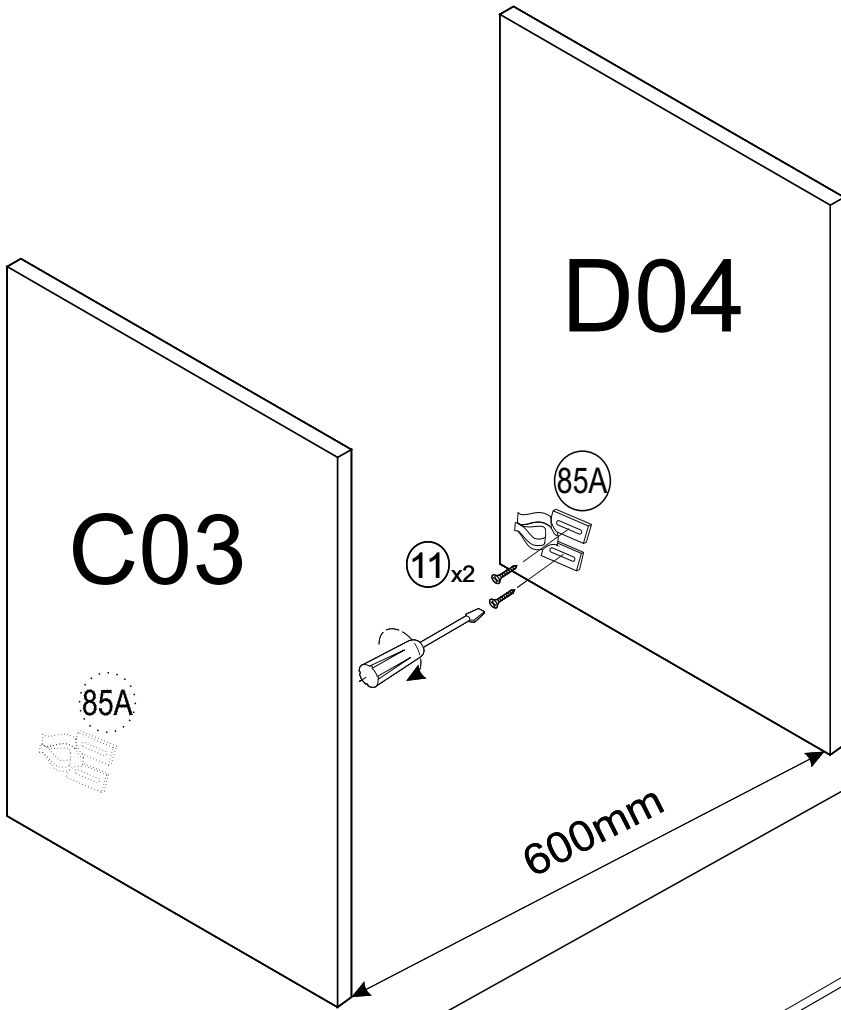
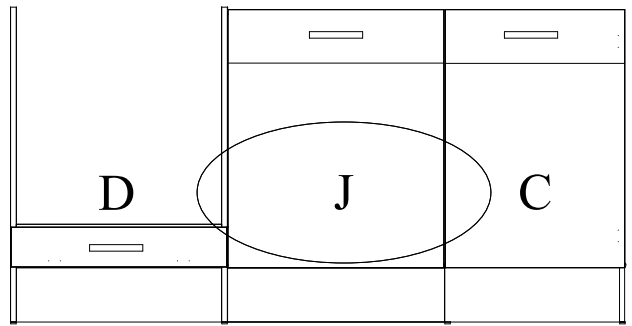
# 16



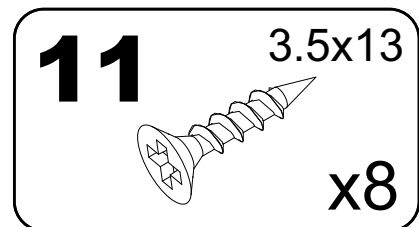
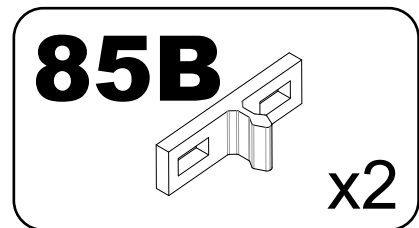
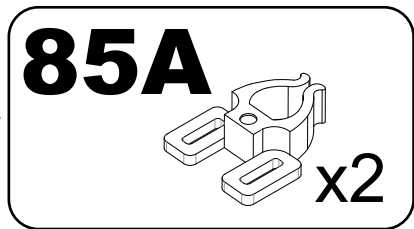
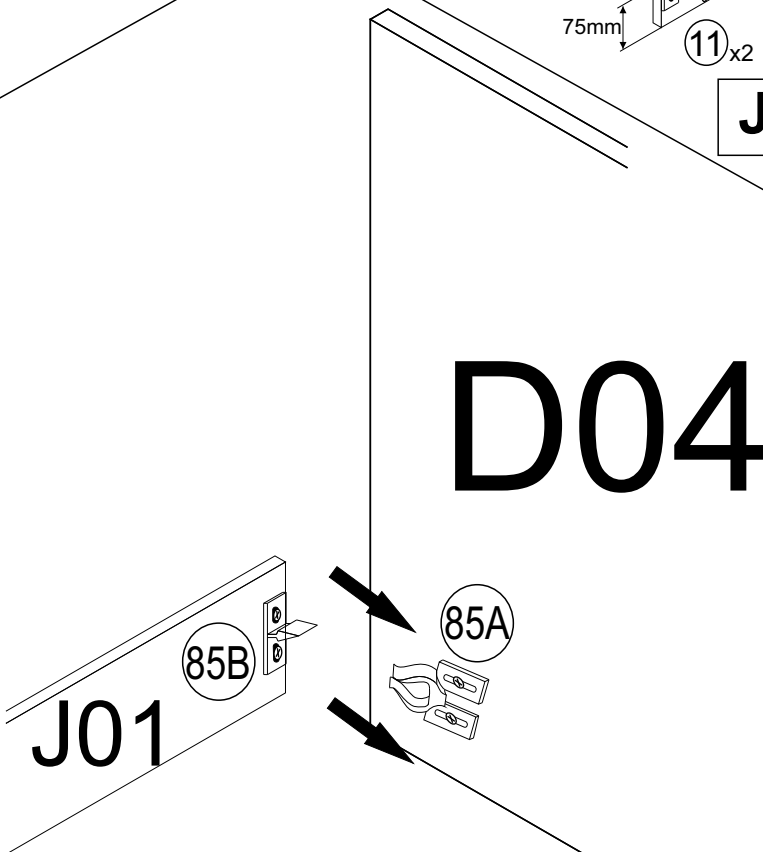
# J



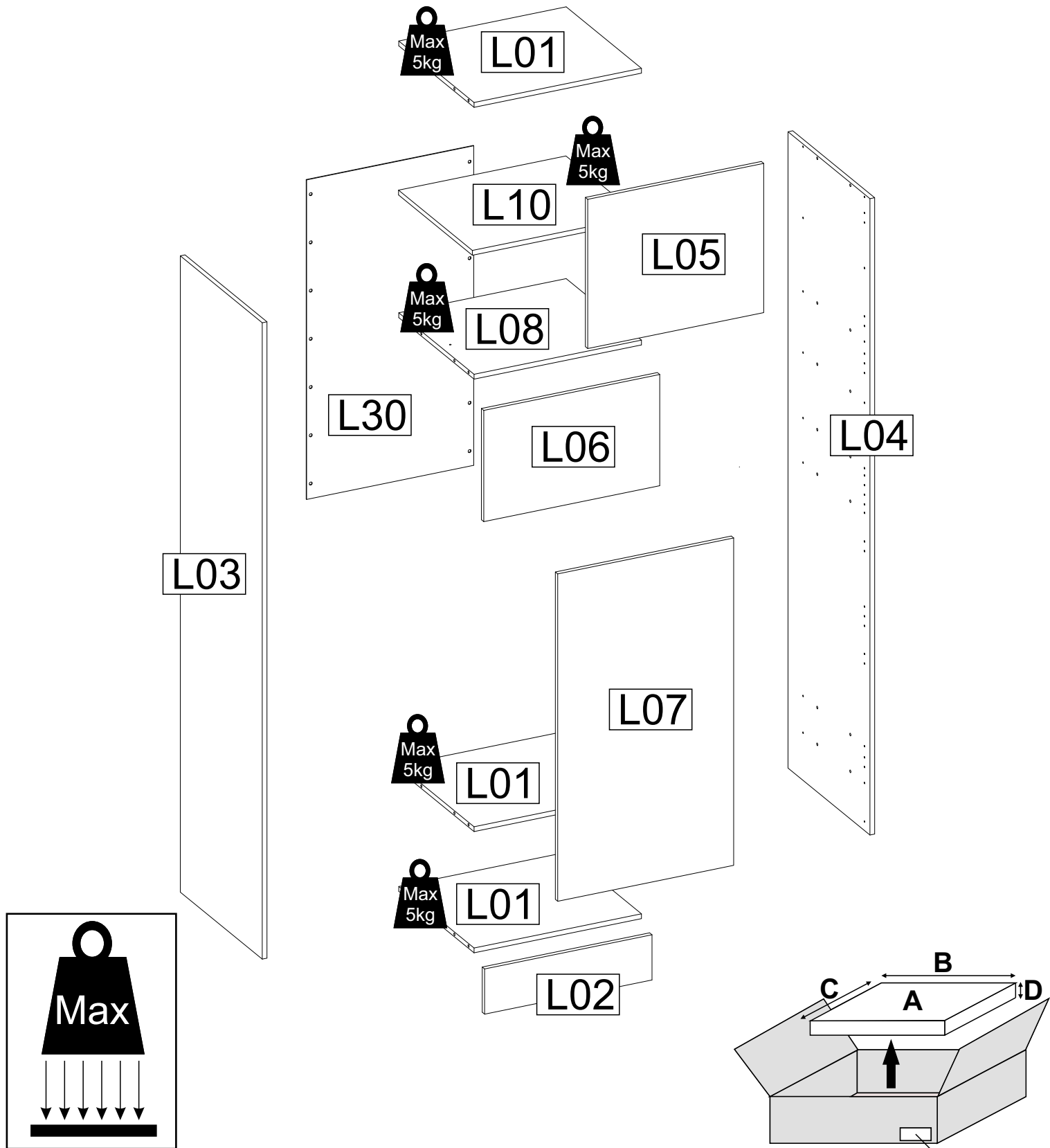
A	B_(mm)	C_(mm)	D_(mm)	E	F
J01	600	150	16	1	9 10
J02	573	596	16	1	9 10
J03	596	140	16	1	9 10



**J01 600mm x 150mm**

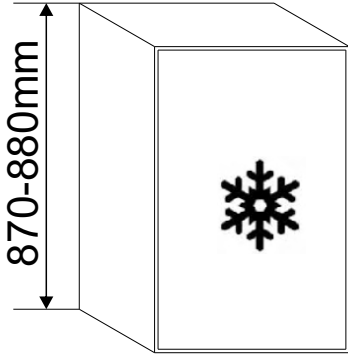




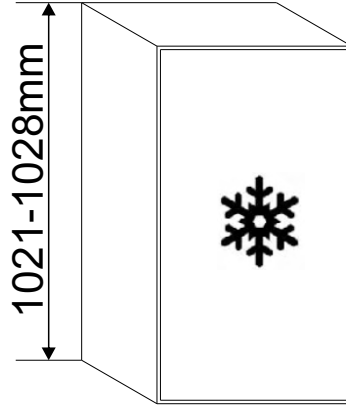


A	B (mm)	C (mm)	D (mm)	E	F
L01	567	510	16	3	6 10
L02	567	150	16	1	5 10
L03	2111	555	16	1	5 10
L04	2111	555	16	1	5 10
L05	596	495	16	1	5 10
L06	596	369	16	1	5 10
L07	1086	596	16	1	5 10
L08	567	510	16	1	6 10
L10	567	500	16	1	6 10
L30	1060	566	3	1	5 10

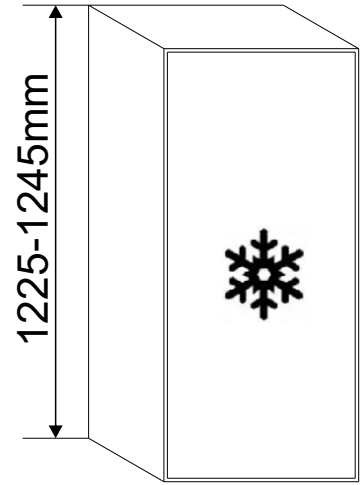
**OPTION 1**



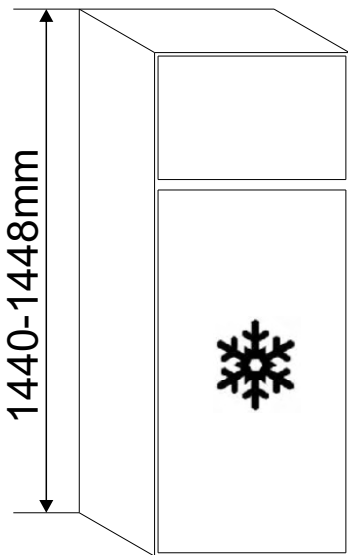
**OPTION 2**



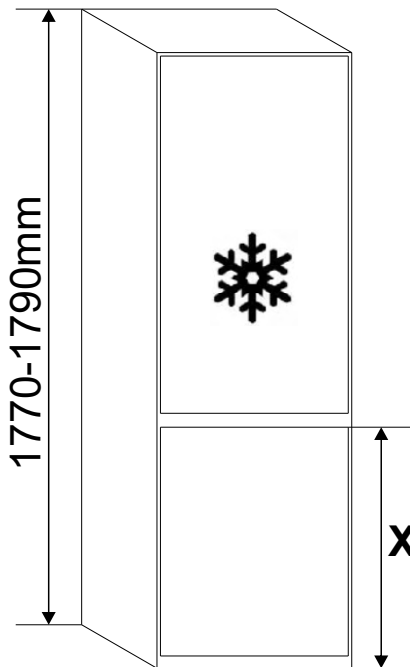
**OPTION 3**



**OPTION 4**

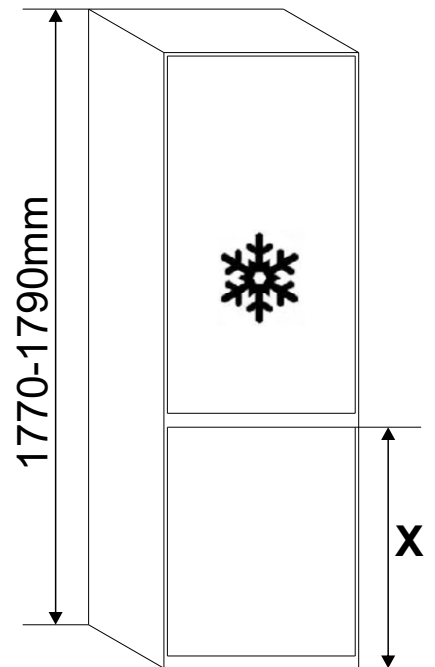


**OPTION 5**

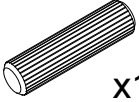
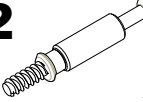
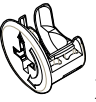



**$X \leq 718\text{mm}$**

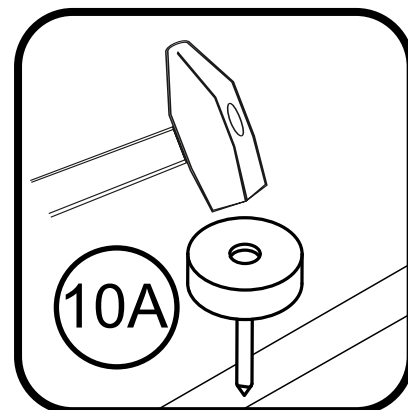
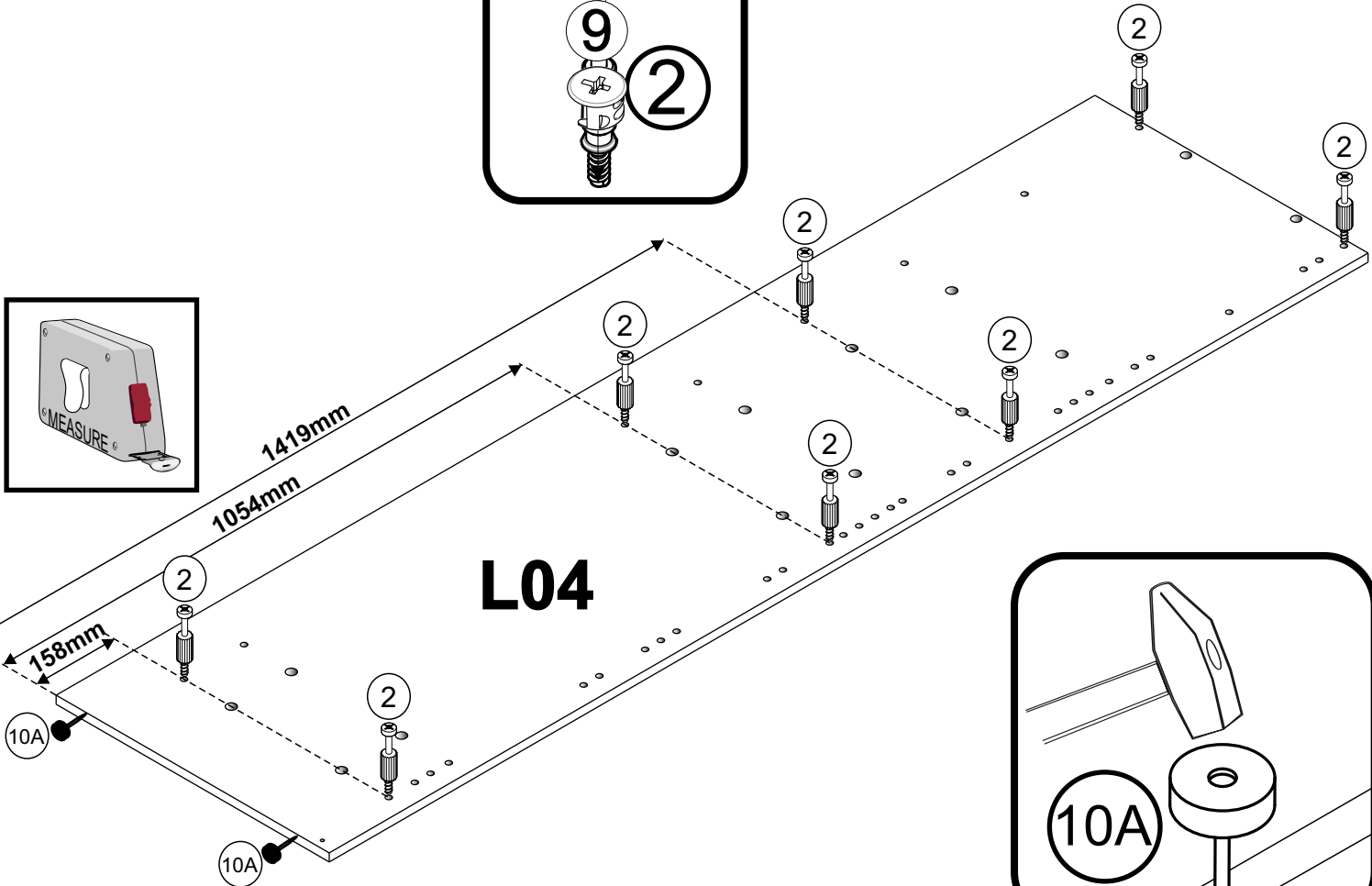
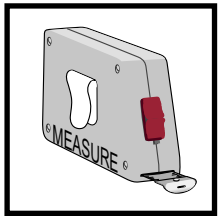
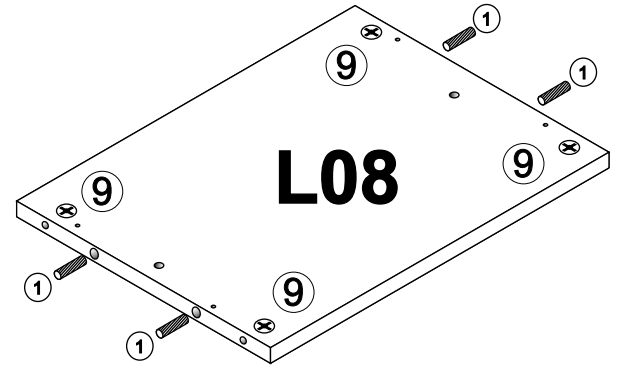
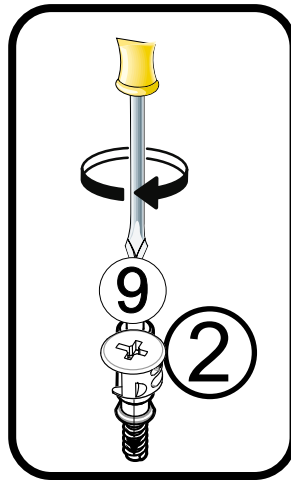
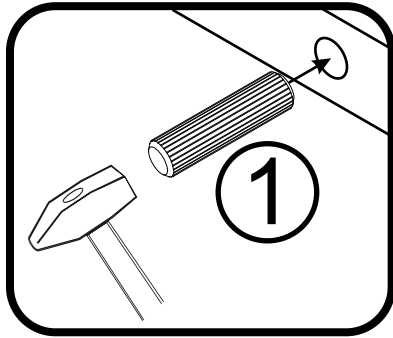
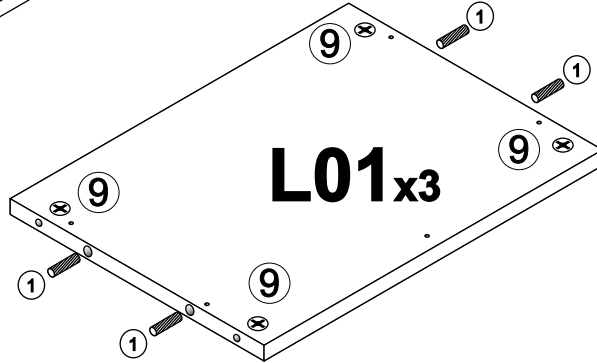
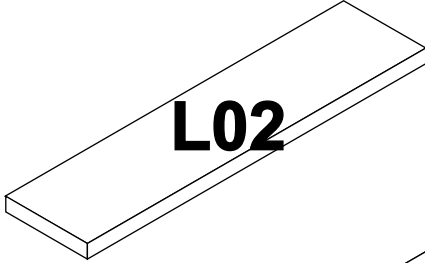
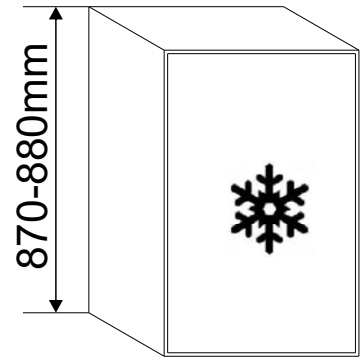
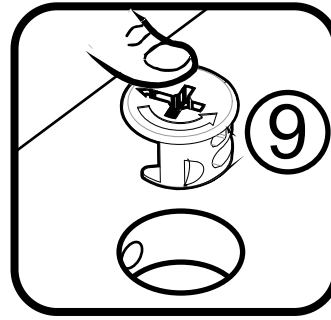
**OPTION 6**



**$X > 718\text{mm}$**

- 1**  x16
- 2**  x8
- 9**   $\varnothing 15$  x16
- 10A**  x2

# OPTION 1



# 2

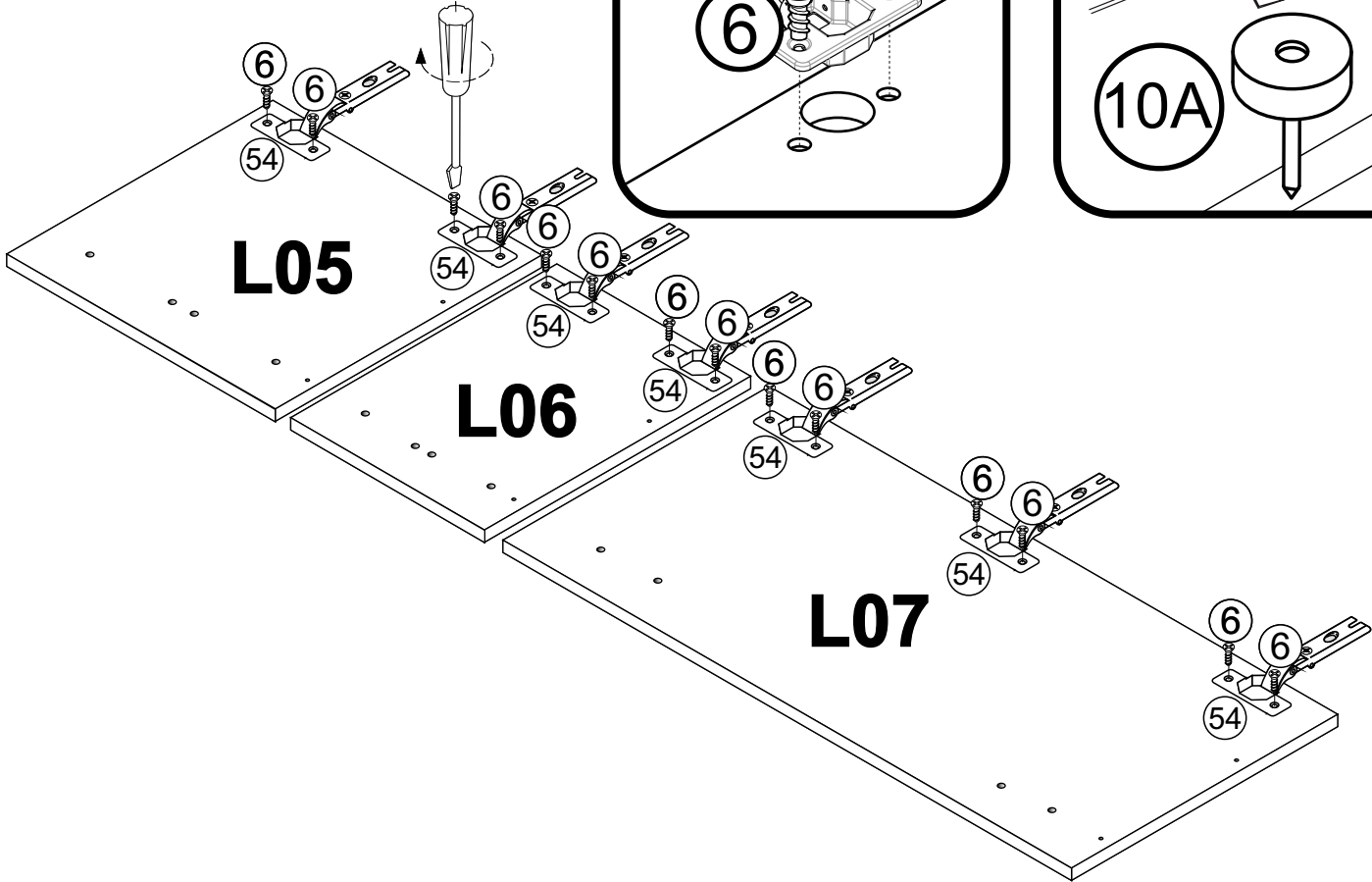
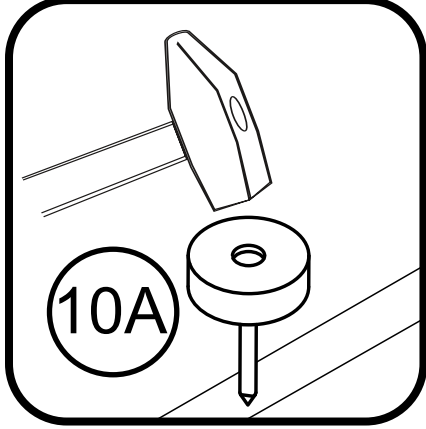
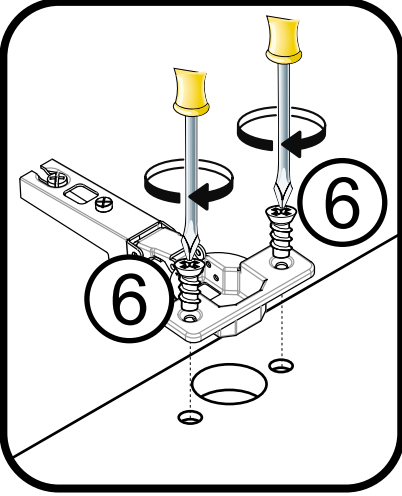
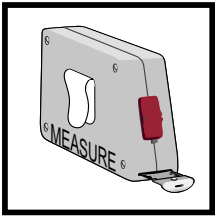
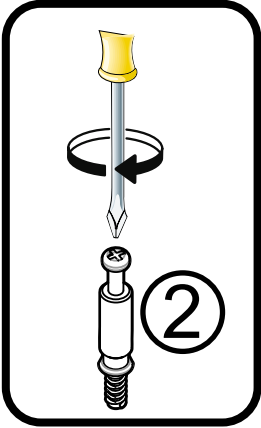
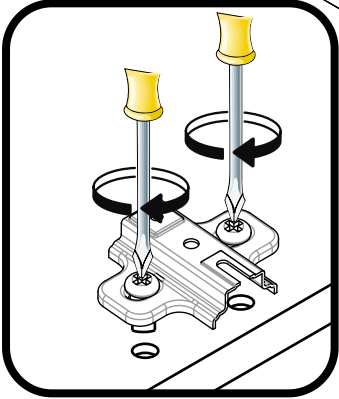
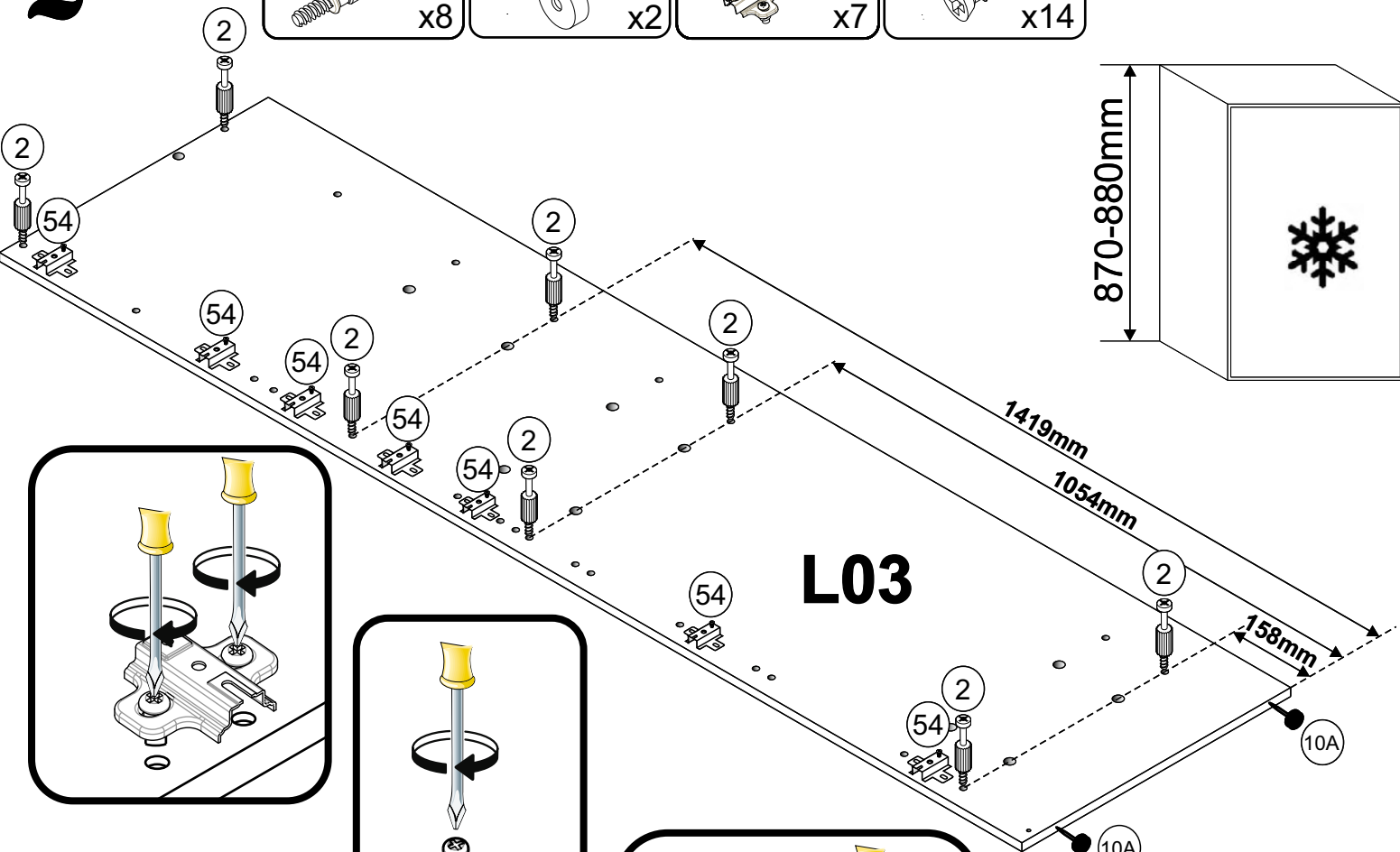
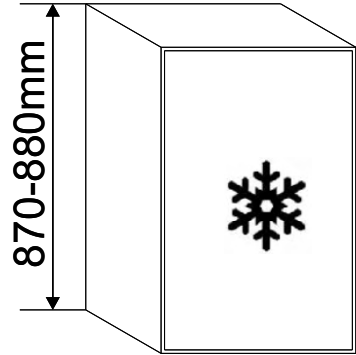
**2** x8

**10A** x2

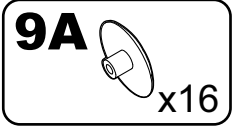
**54**  $\varnothing 35$  x7

**6** 5x11 x14

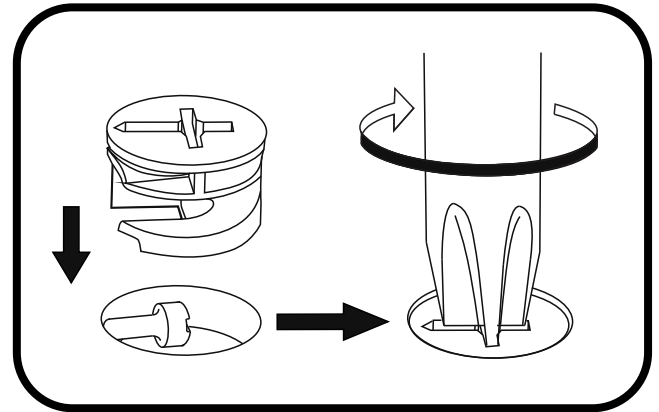
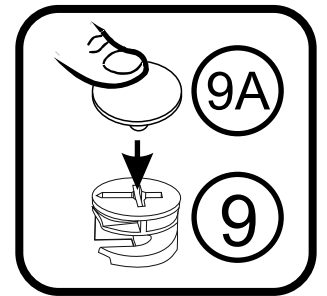
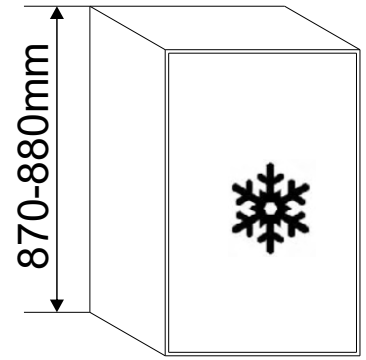
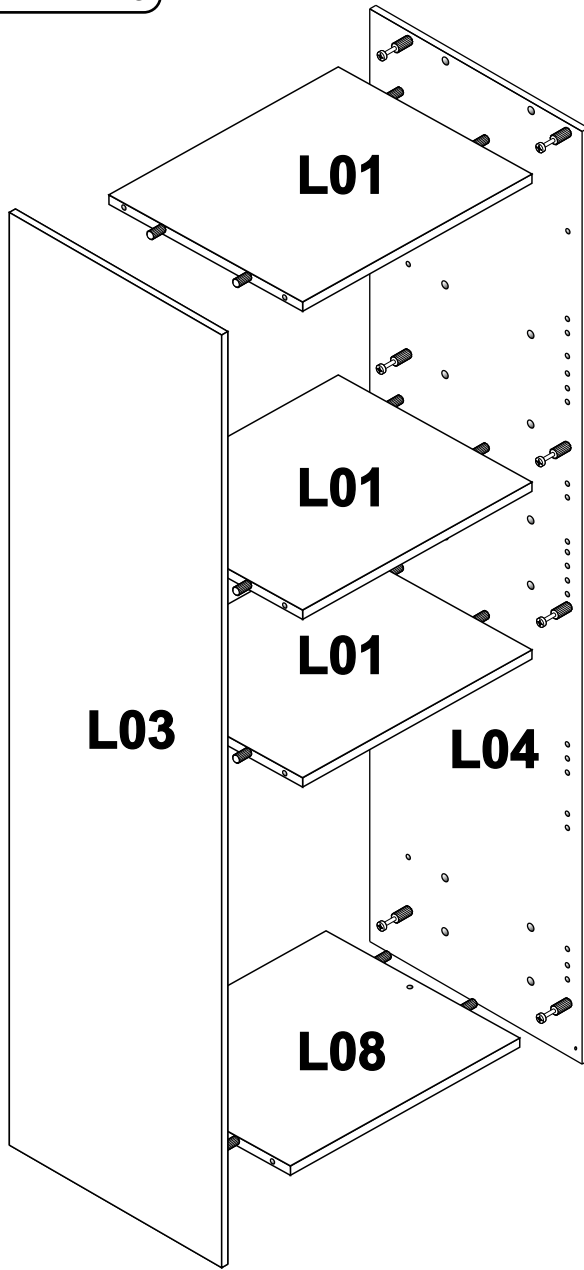
**OPTION 1**



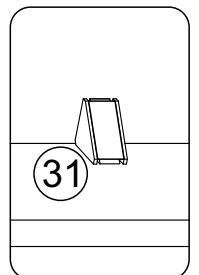
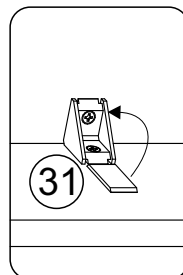
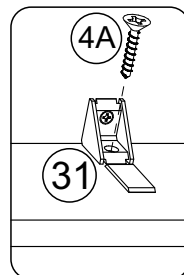
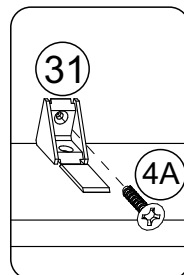
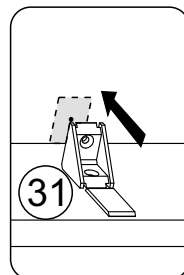
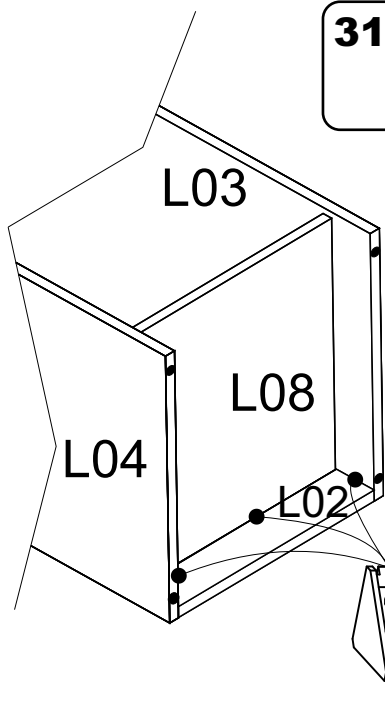
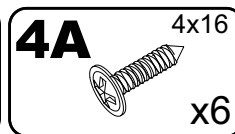
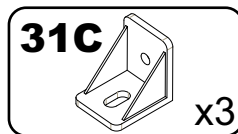
# 3



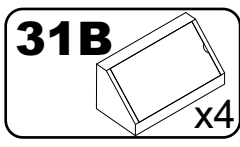
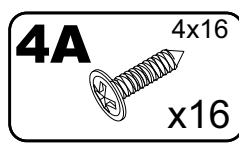
## OPTION 1



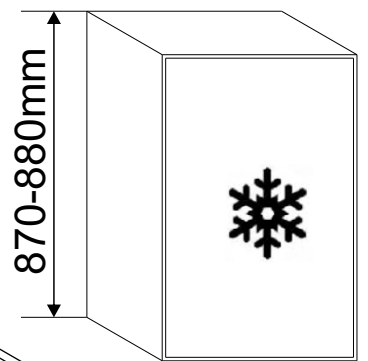
# 4



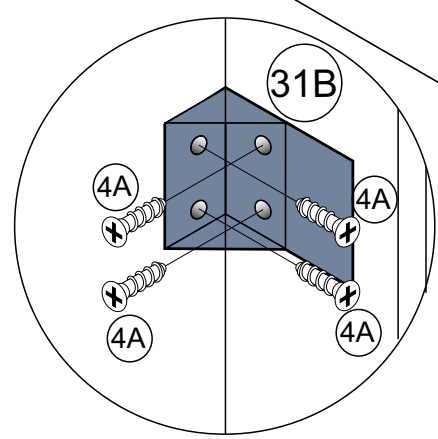
5



**OPTION 1**



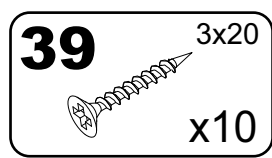
**L04**



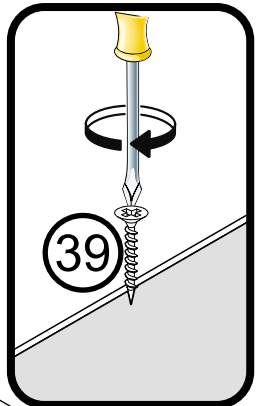
**L08**

**L02**

6

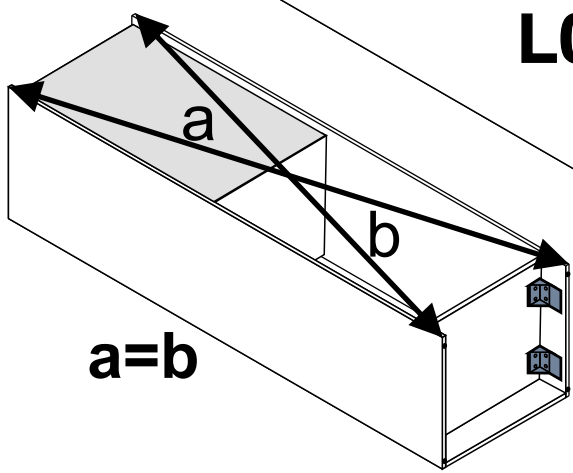


**L30**



**L04**

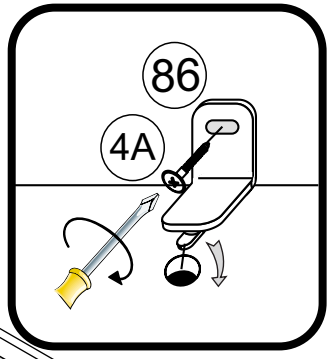
**L08**



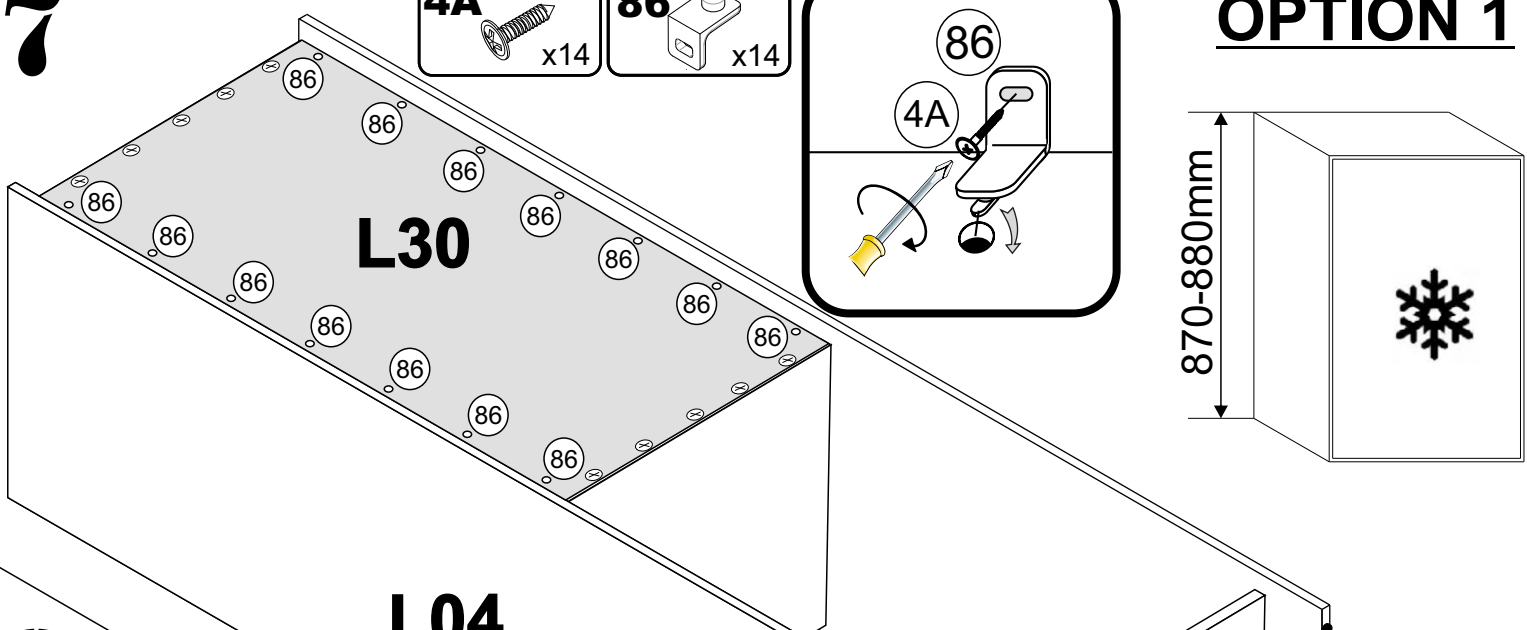
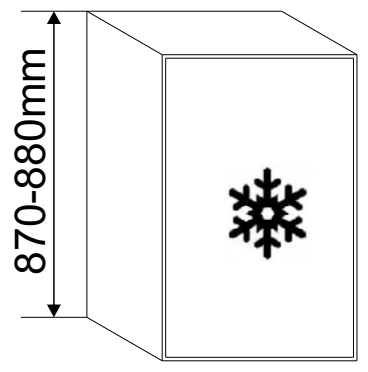
7

**4A** 4x16  
x14

**86**  
x14



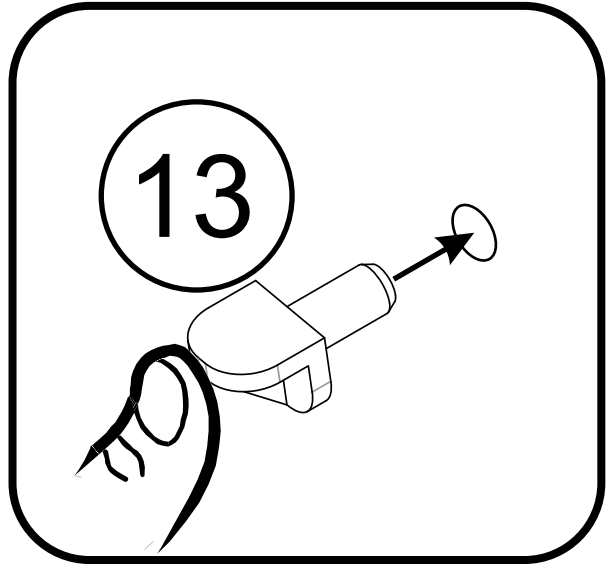
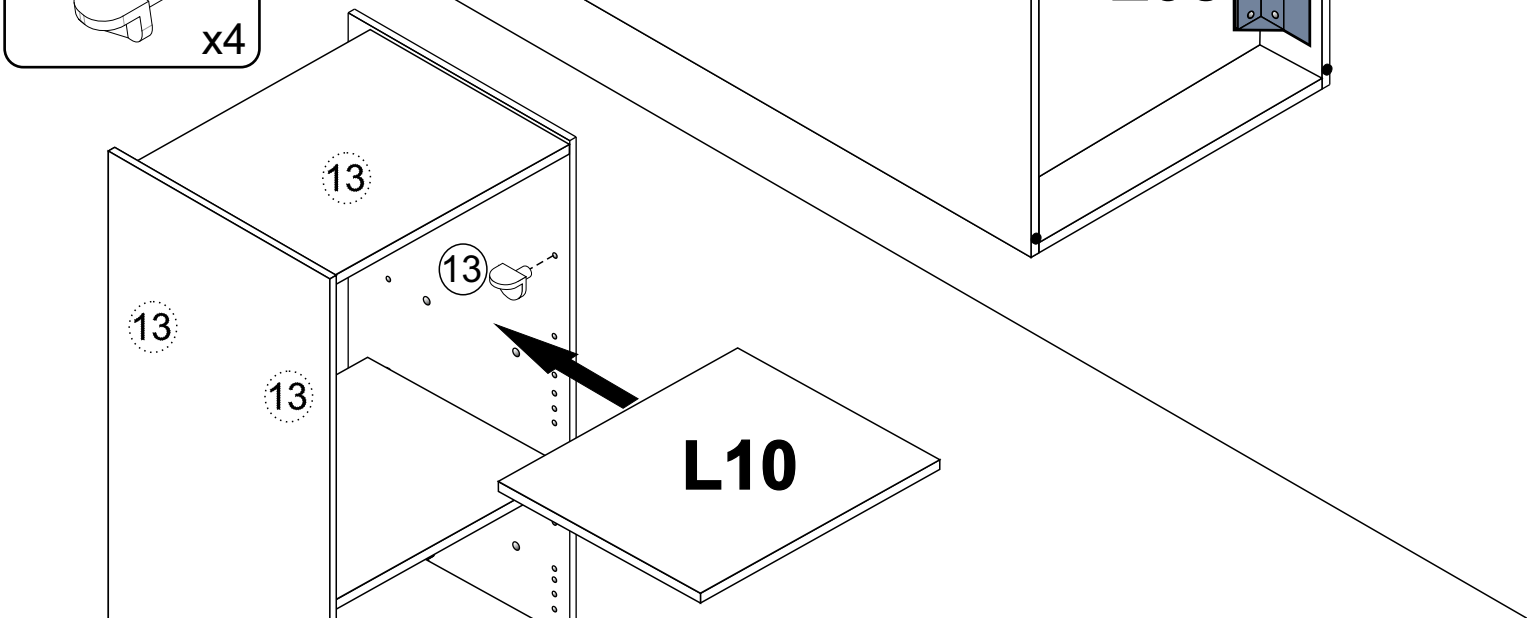
**OPTION 1**



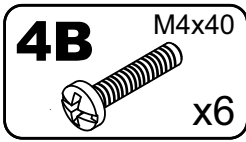
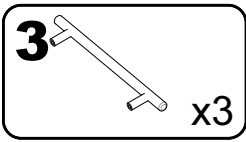
8

**13**  
x4

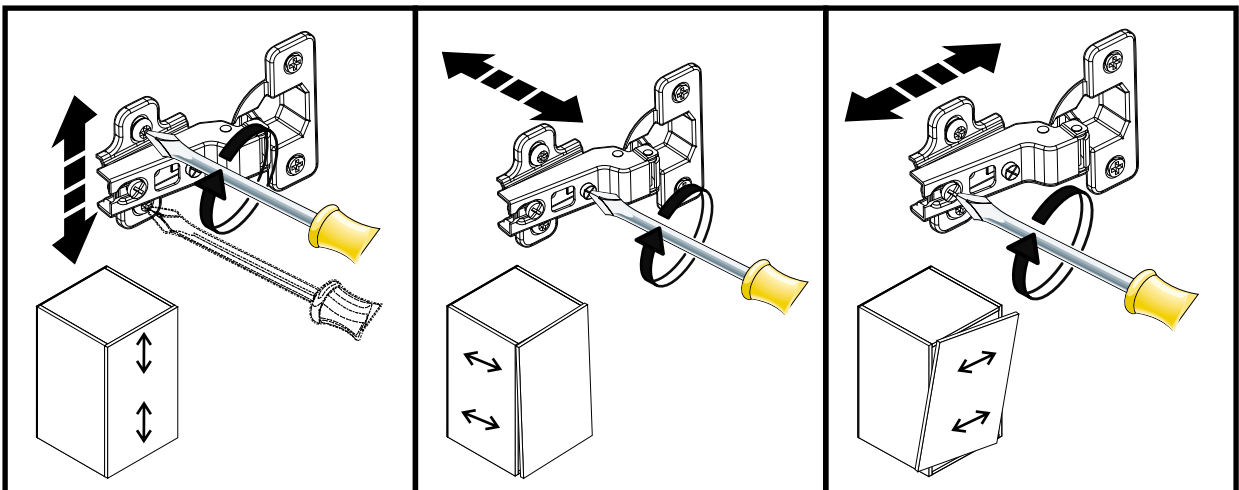
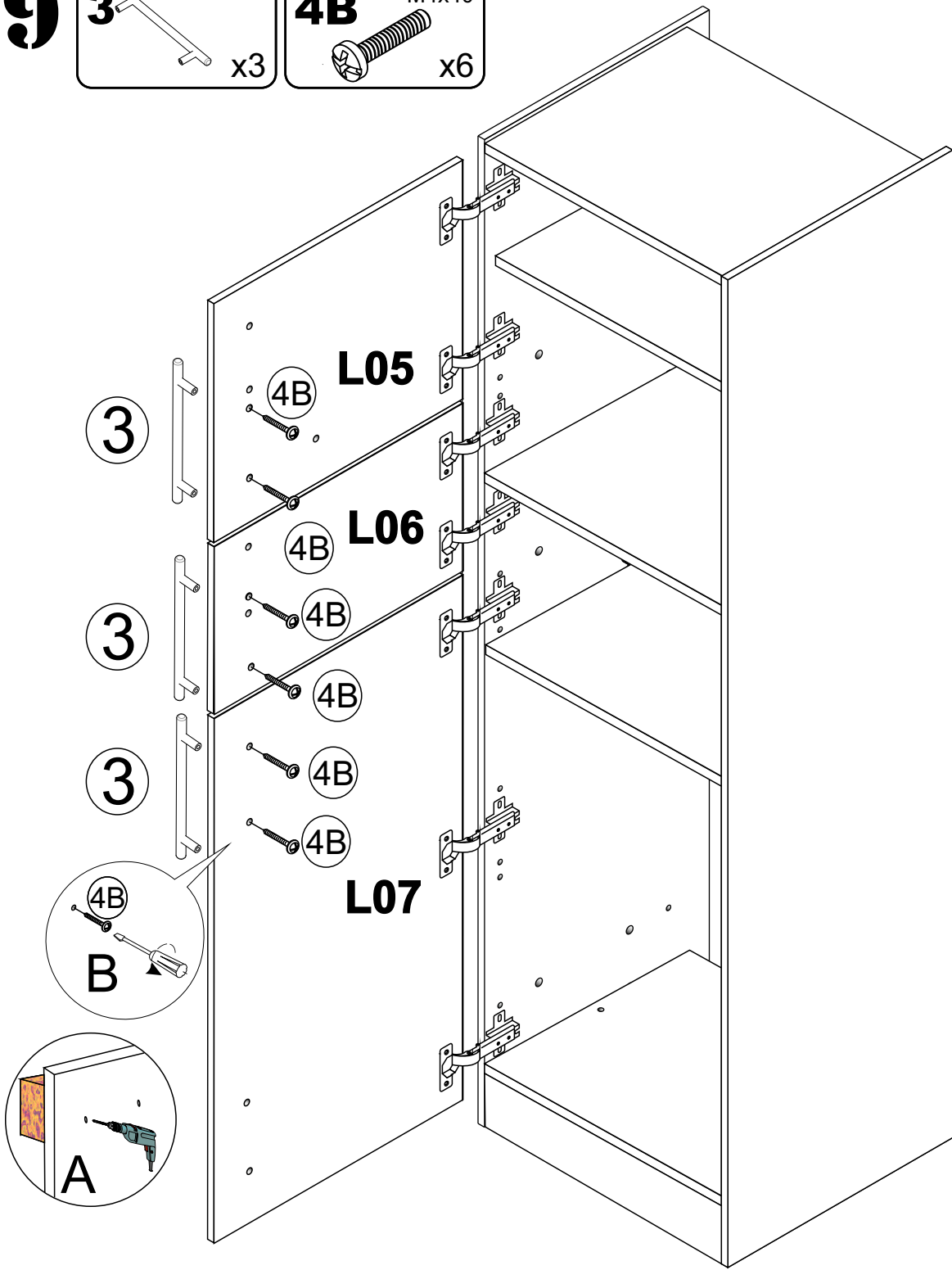
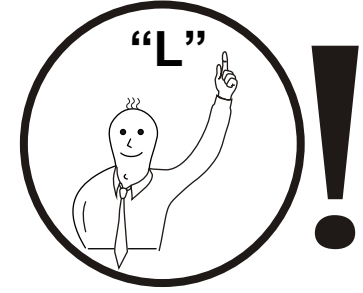
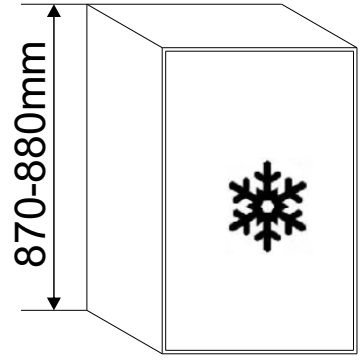
**L08**



9

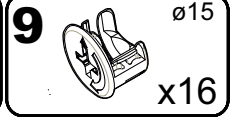
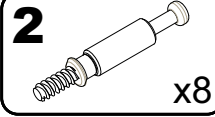
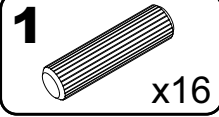


**OPTION 1**

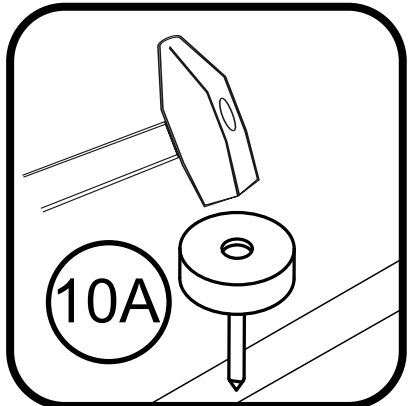
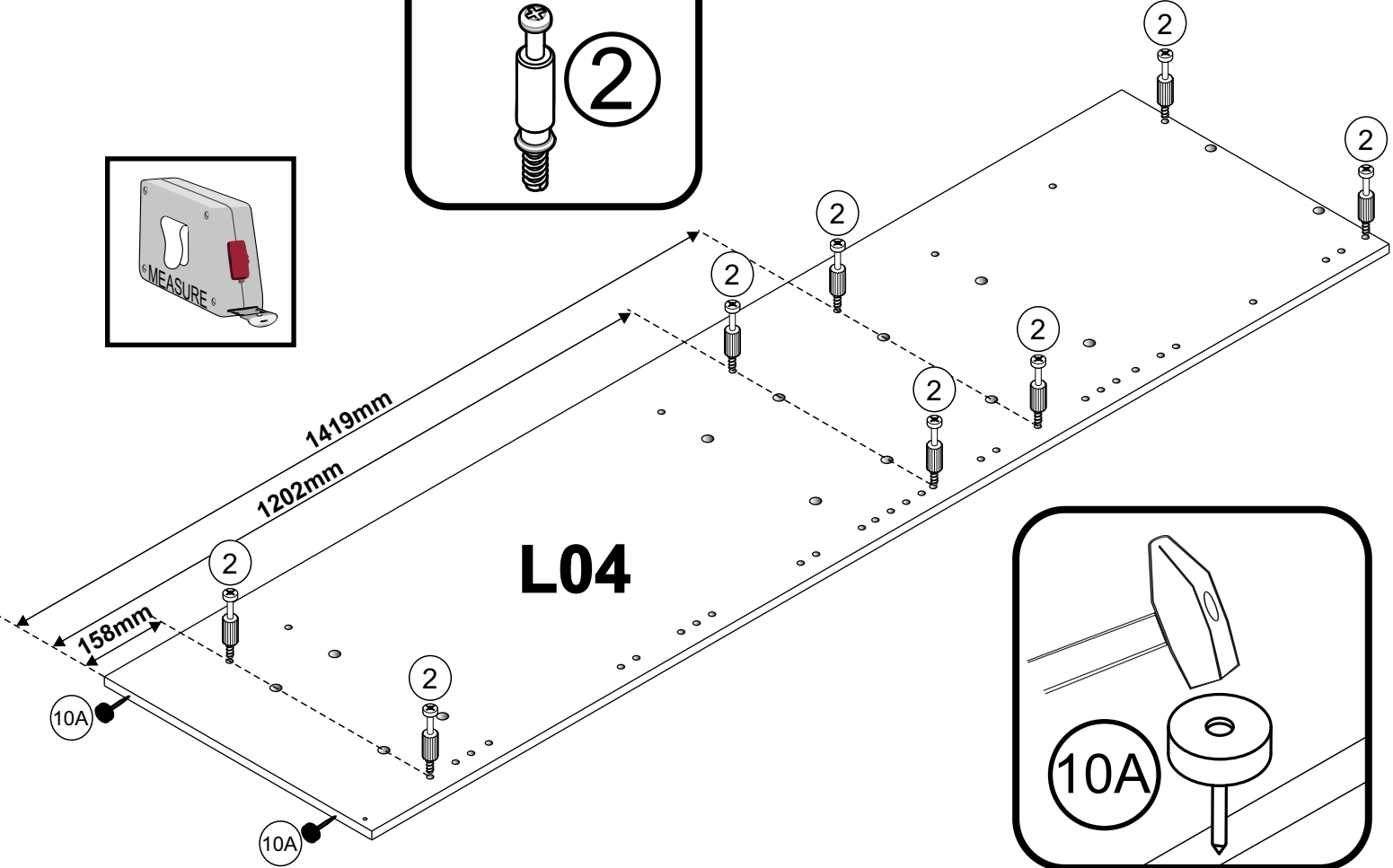
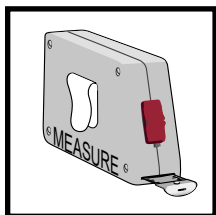
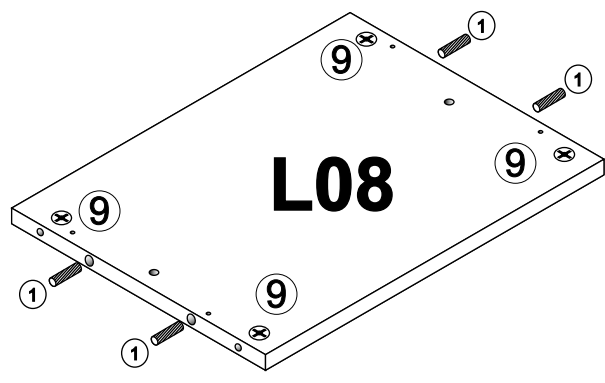
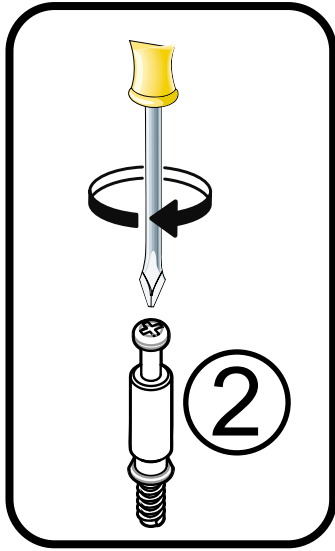
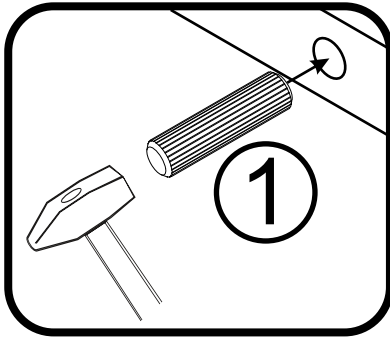
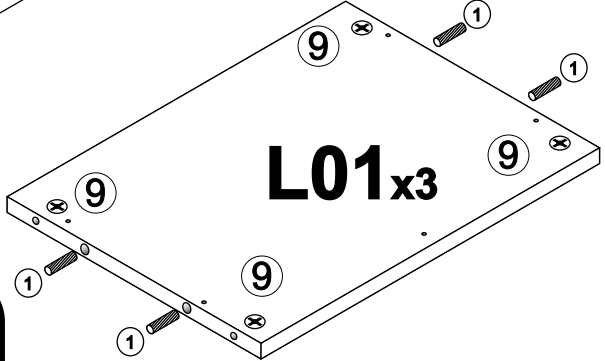
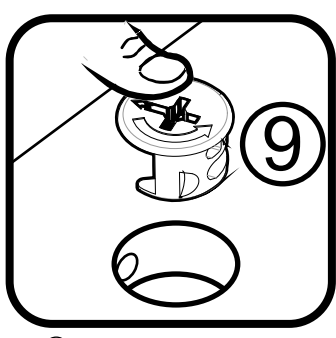
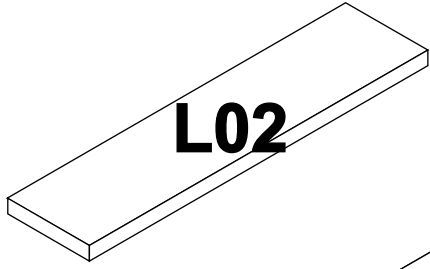
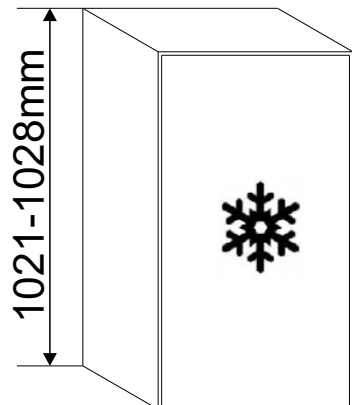




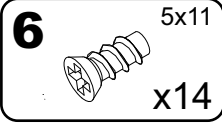
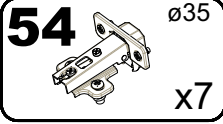
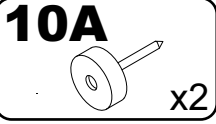
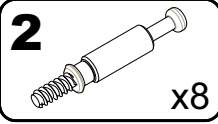
**1**



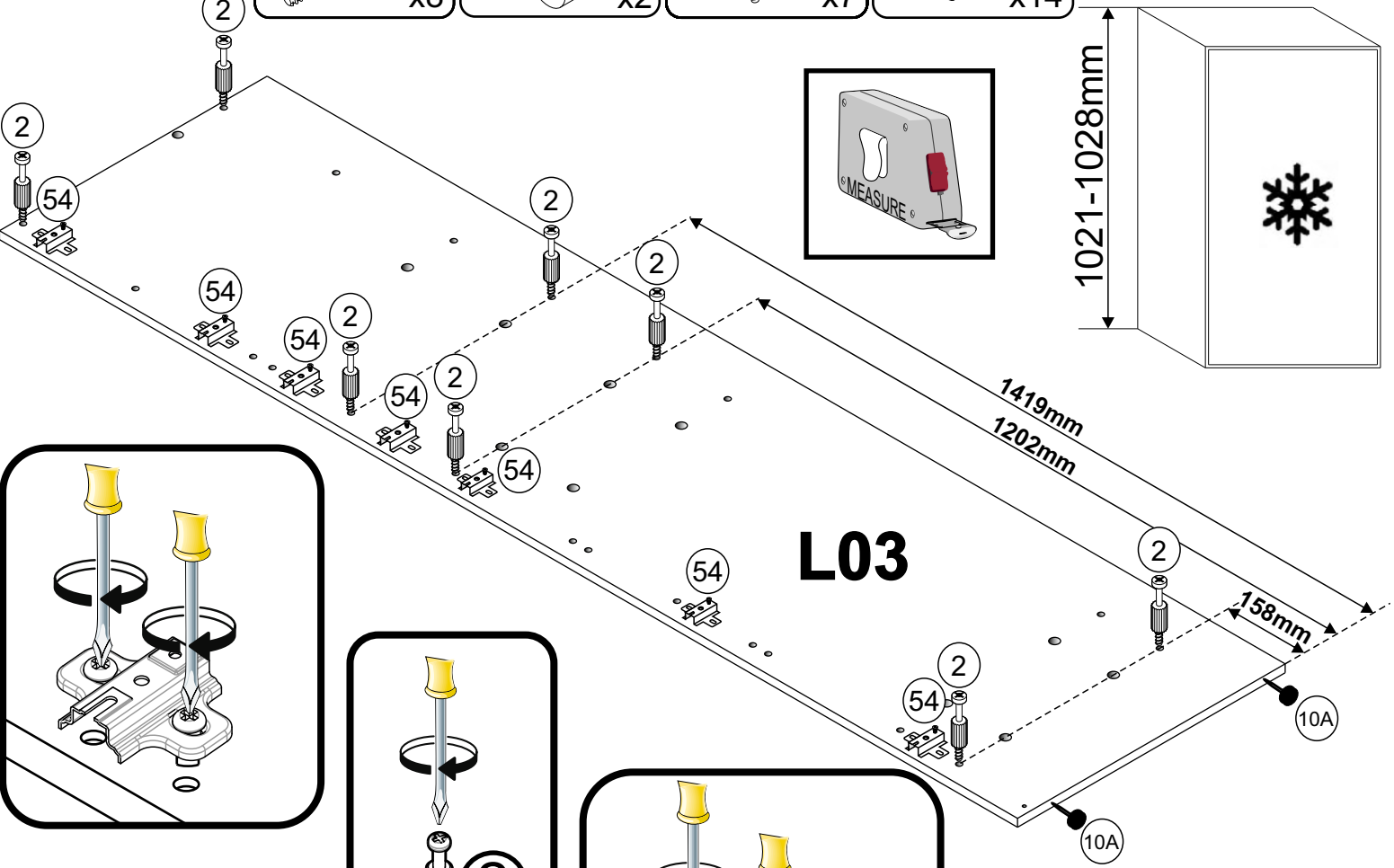
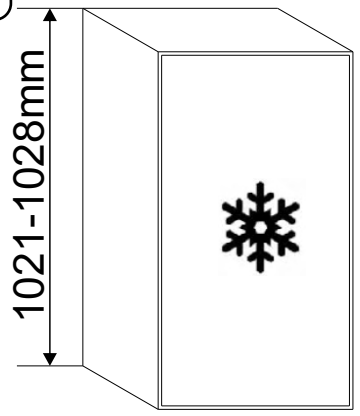
**OPTION 2**



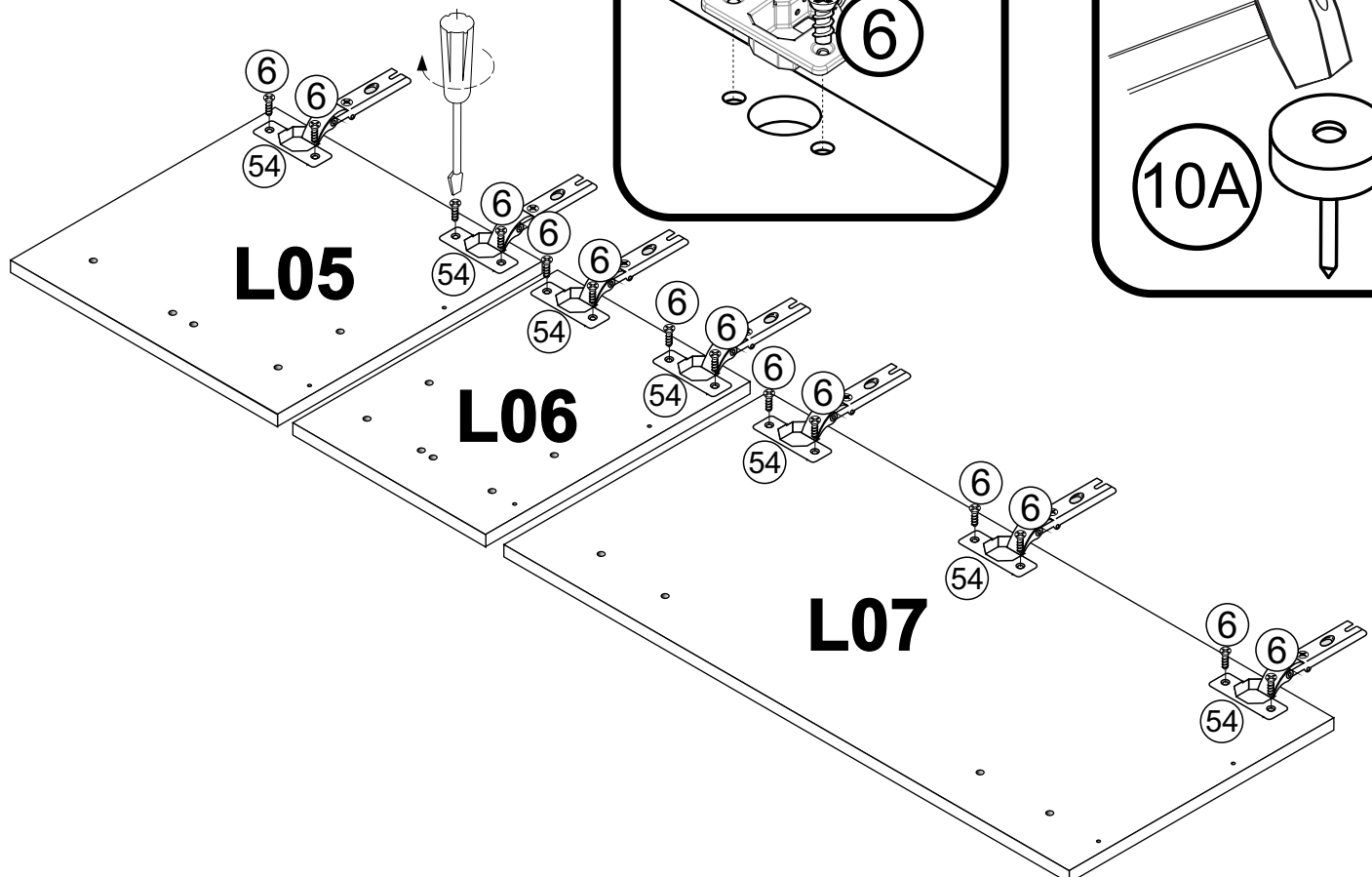
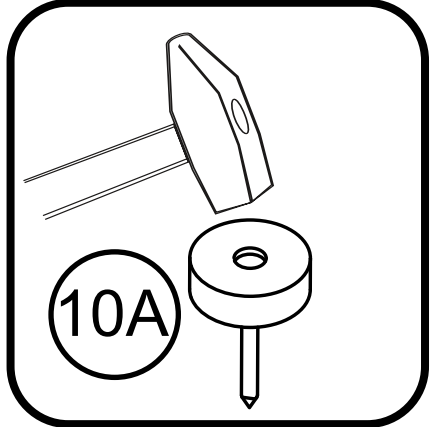
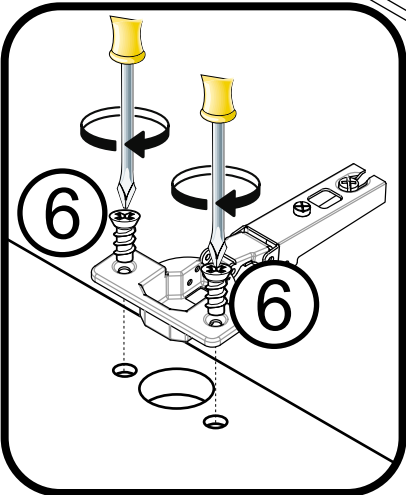
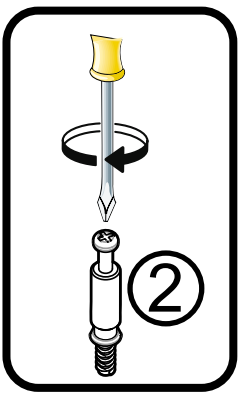
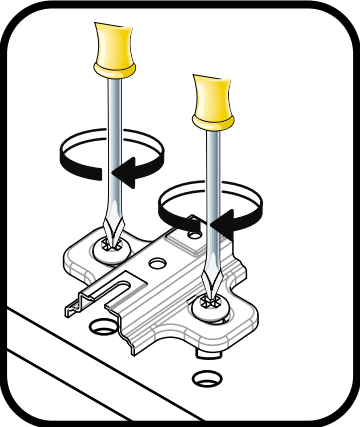
# 2



## OPTION 2



### L03

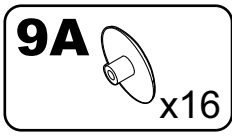


### L05

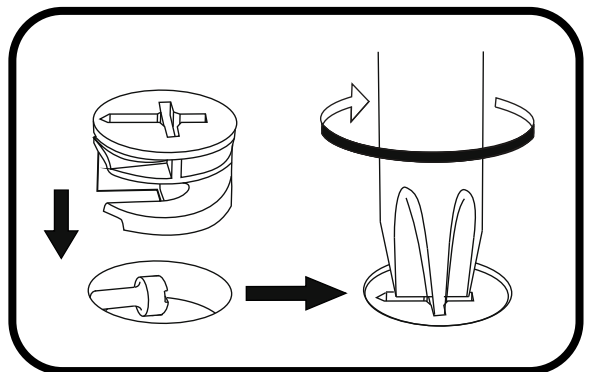
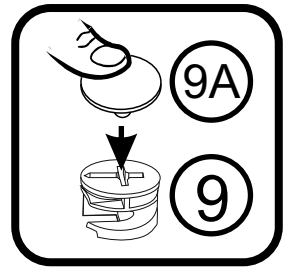
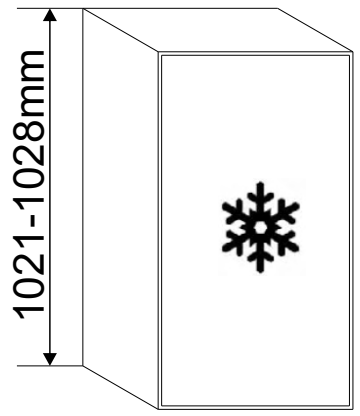
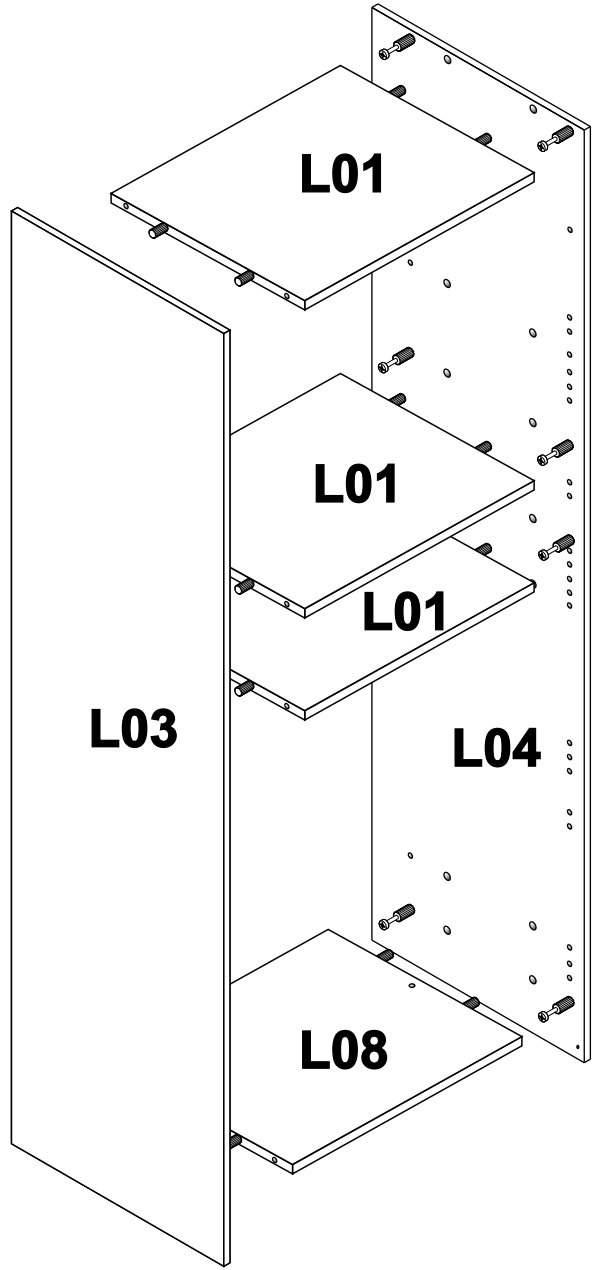
### L06

### L07

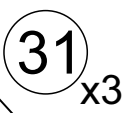
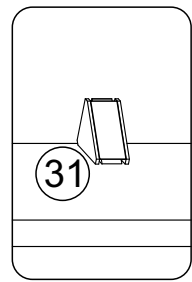
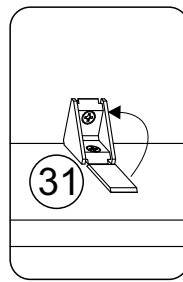
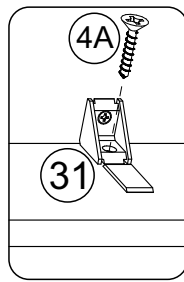
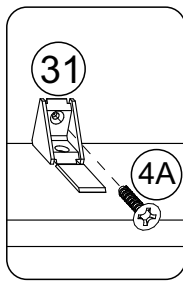
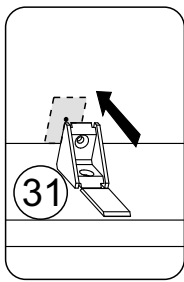
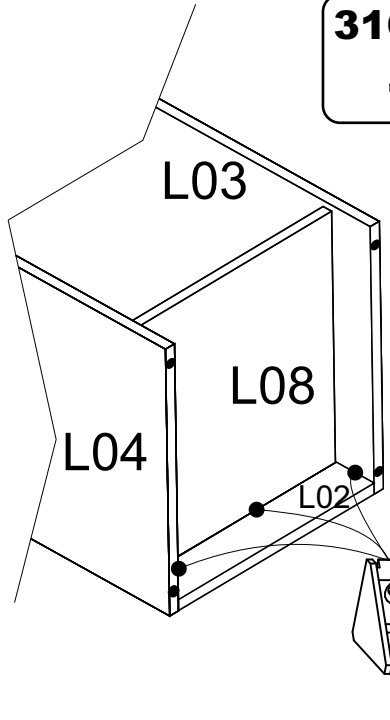
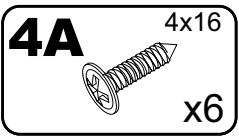
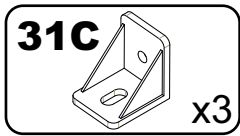
# 3



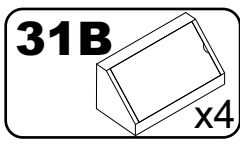
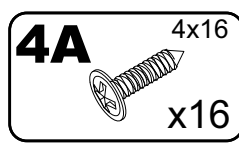
## OPTION 2



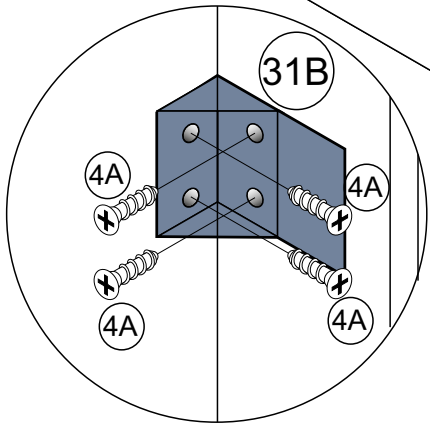
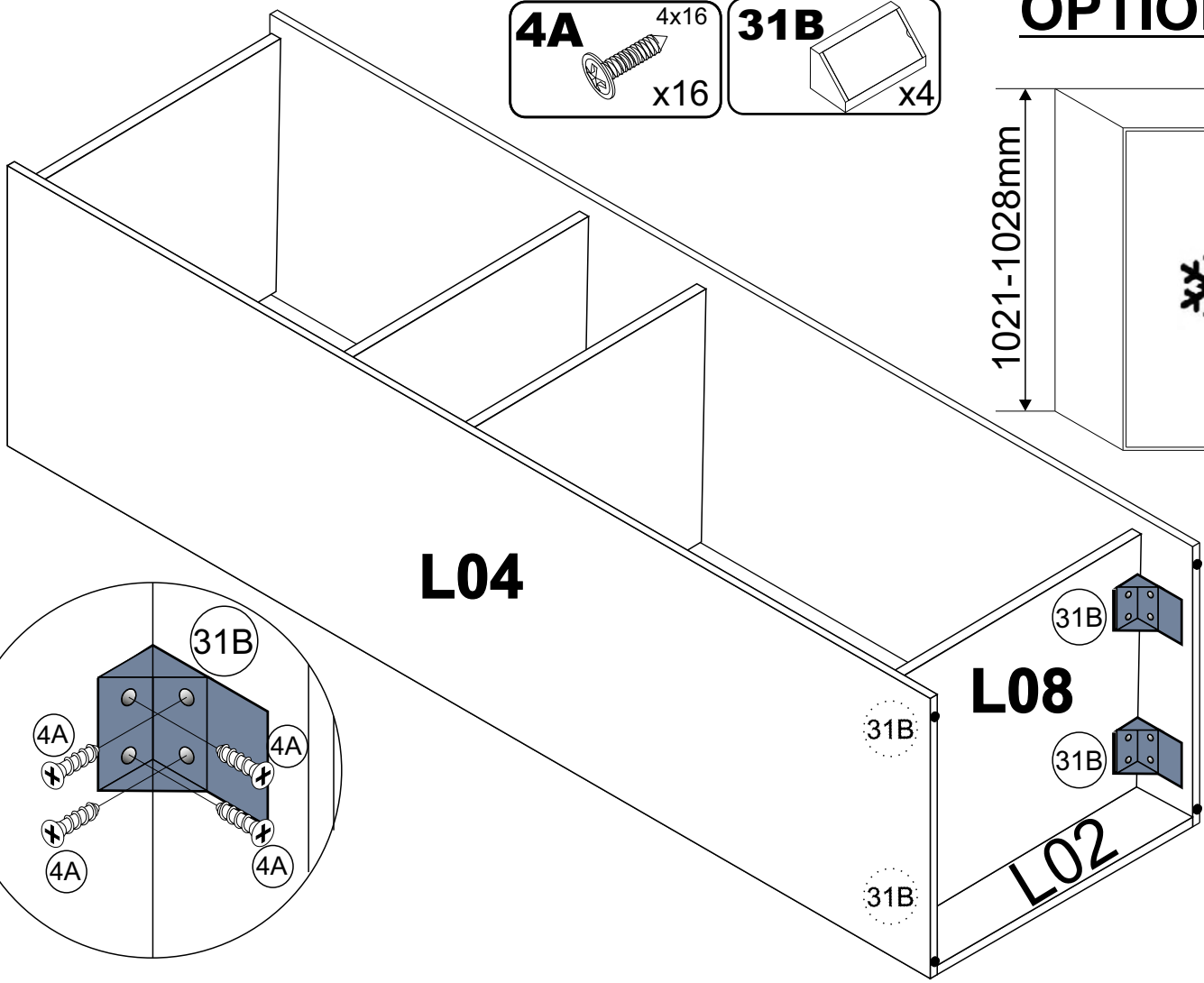
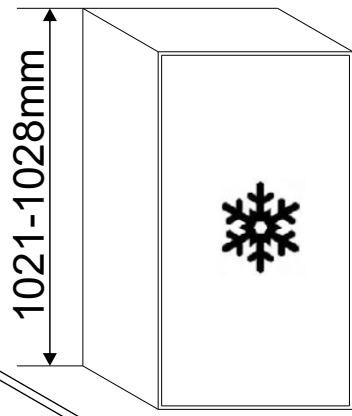
# 4



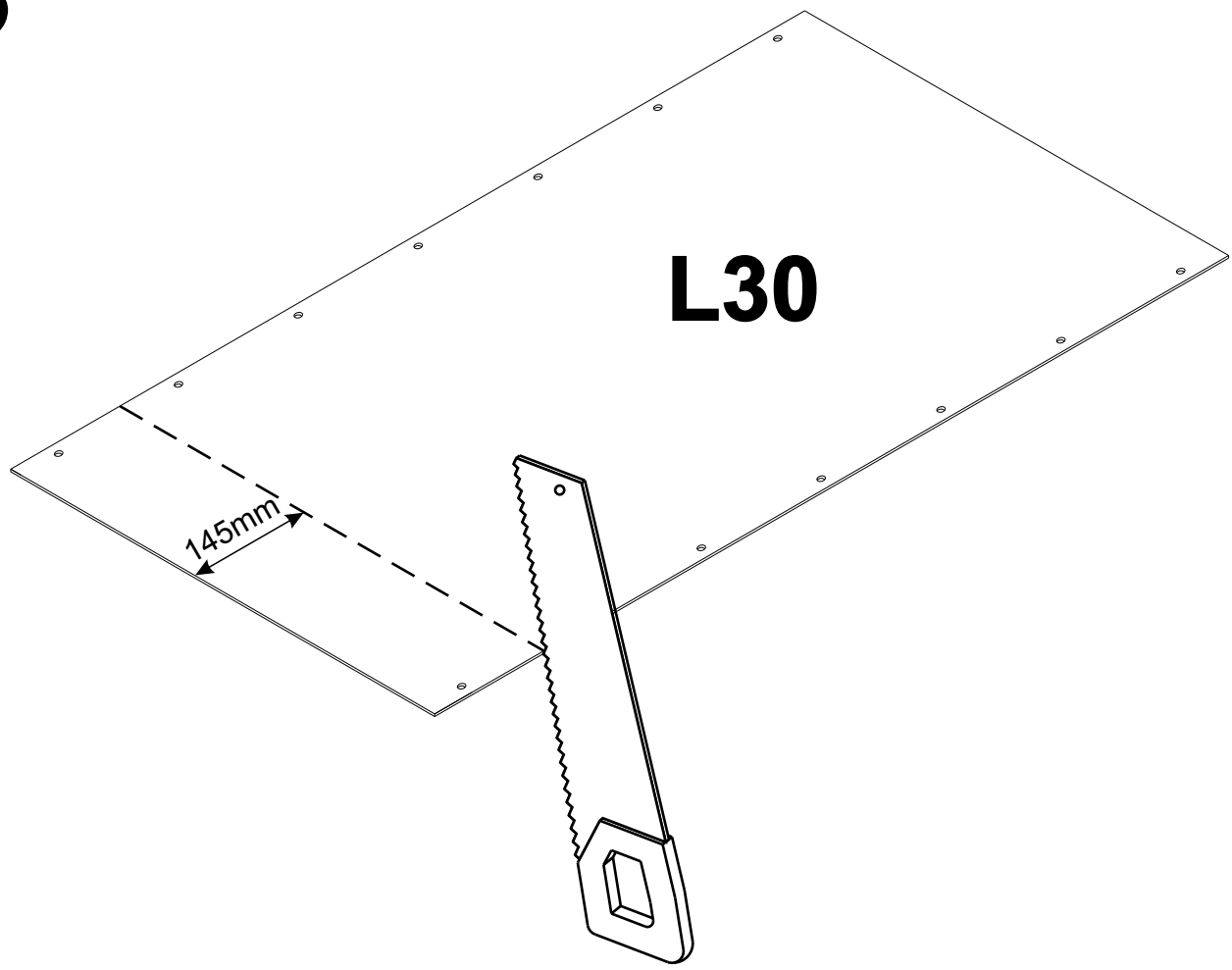
5



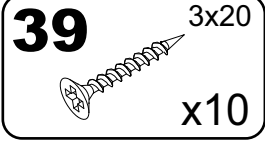
**OPTION 2**



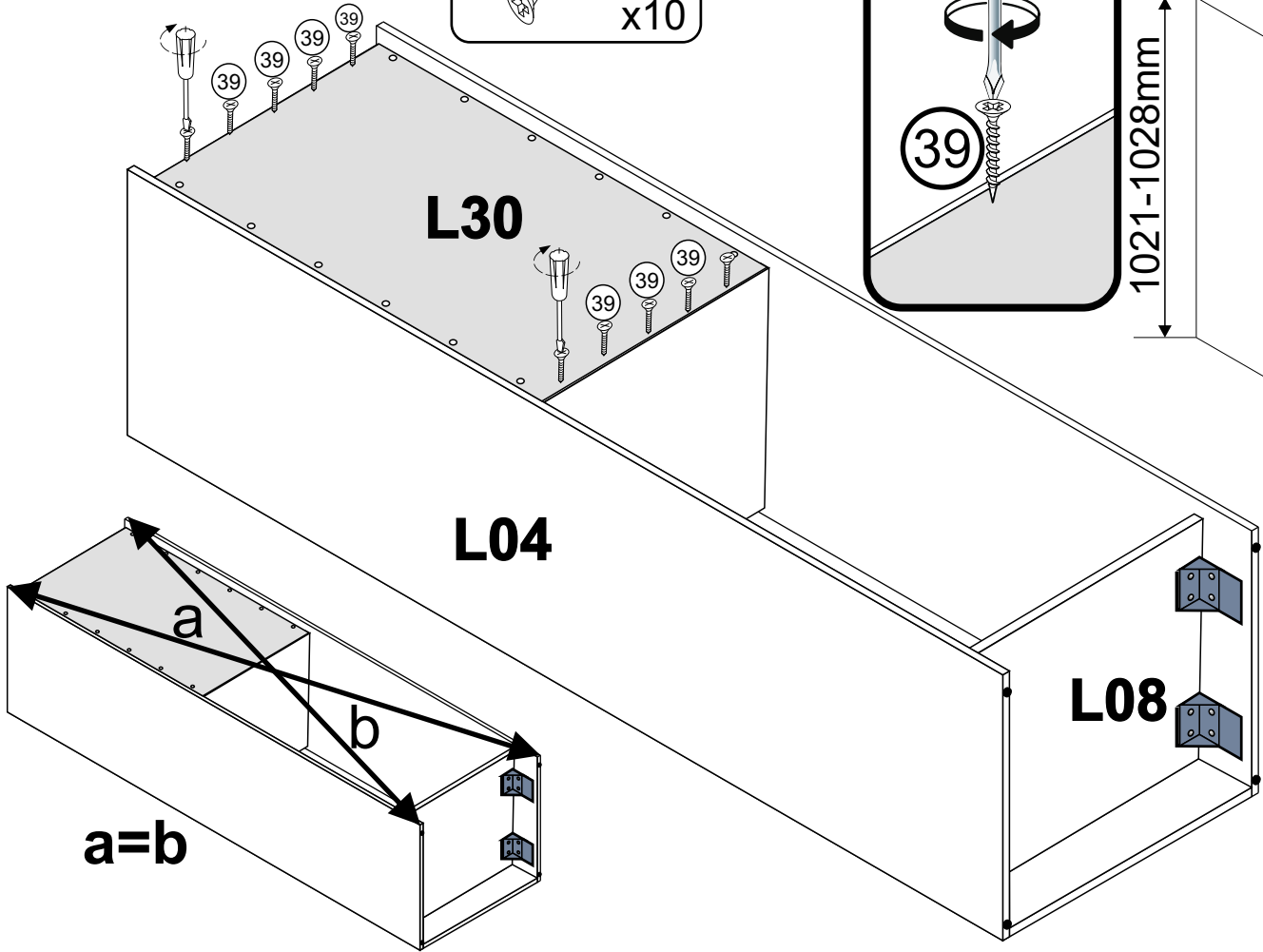
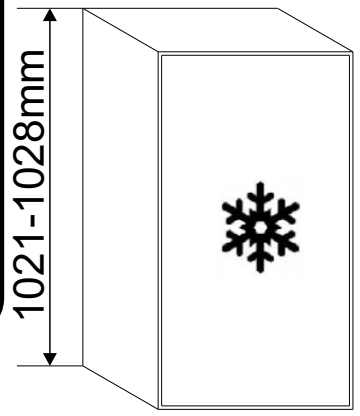
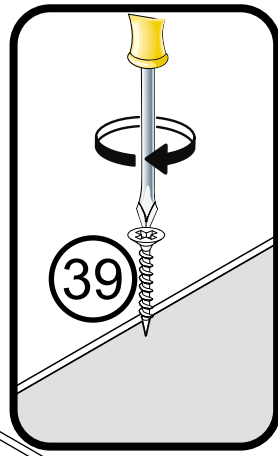
6



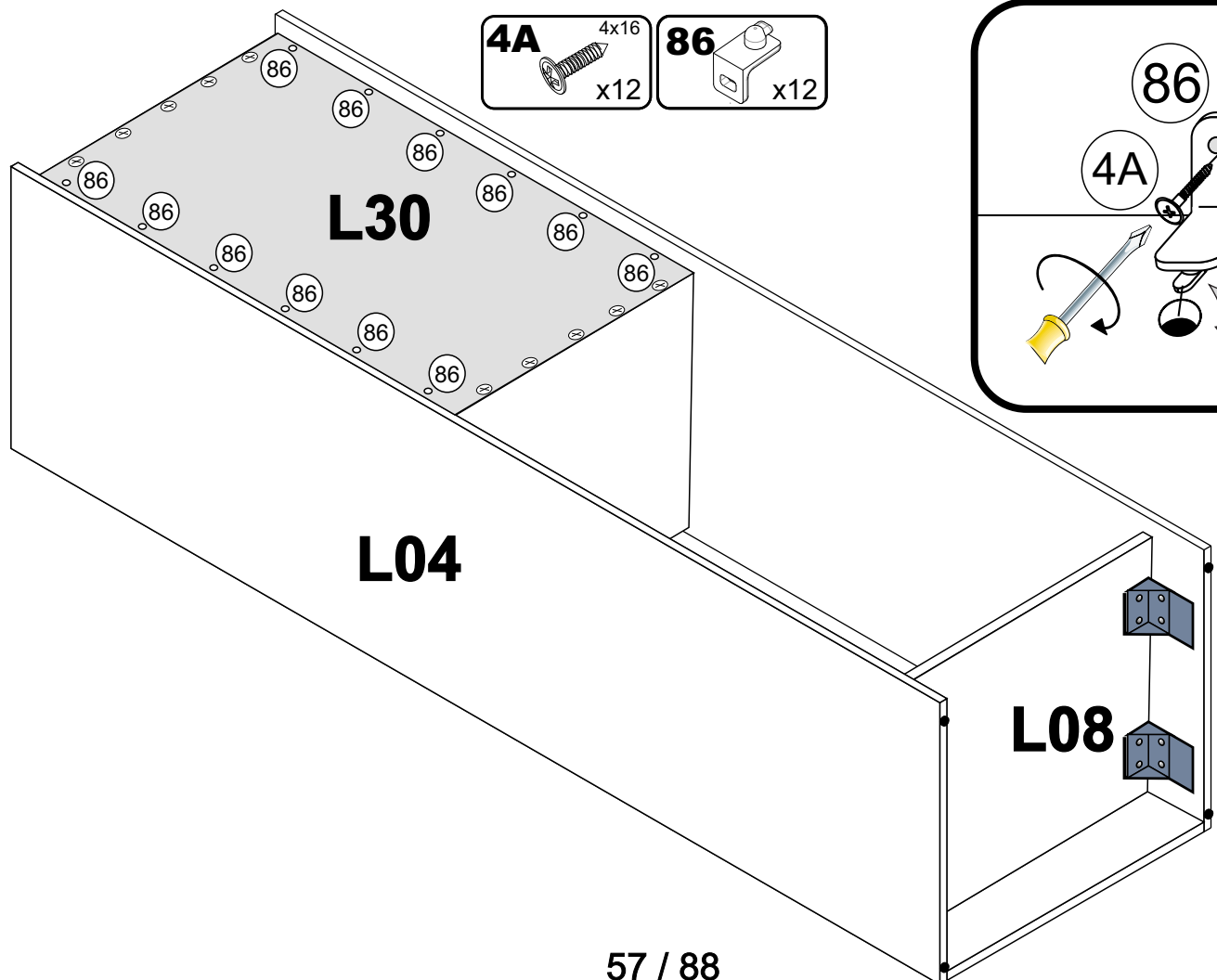
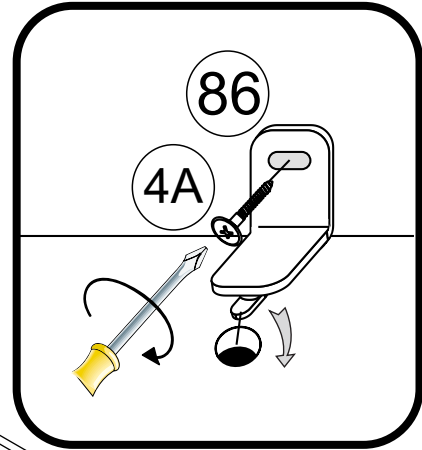
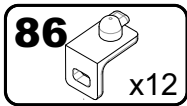
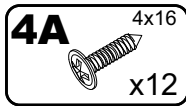
7



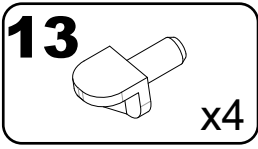
**OPTION 2**



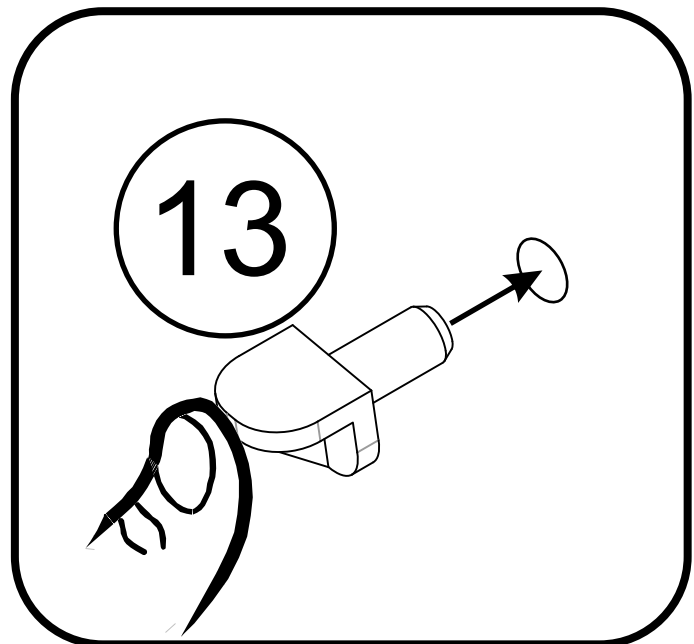
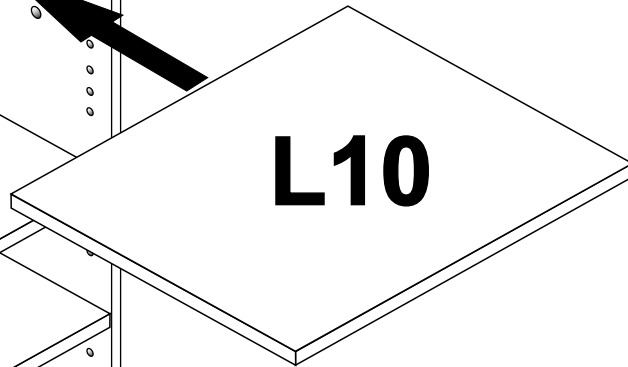
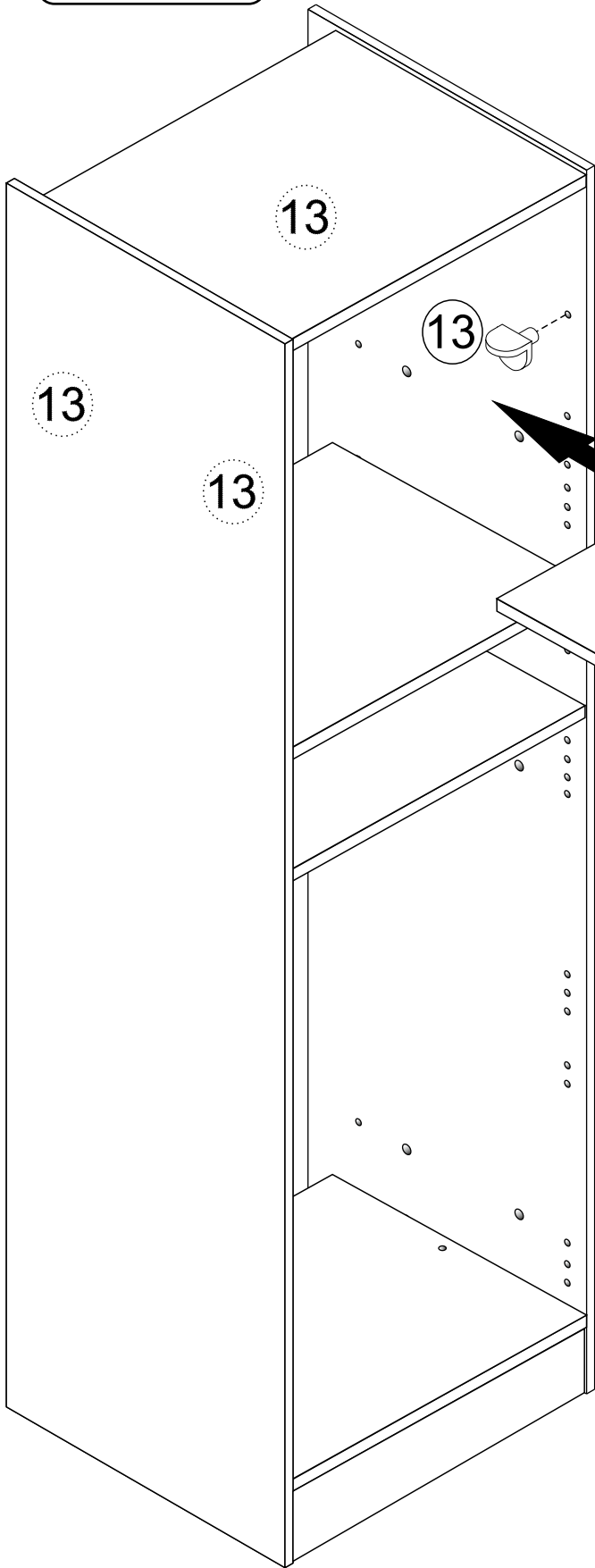
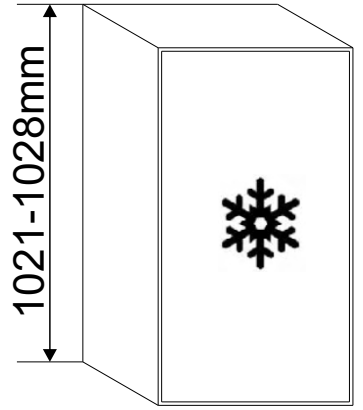
8



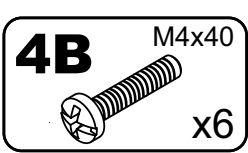
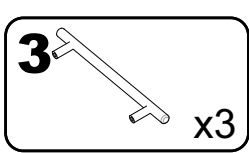
9



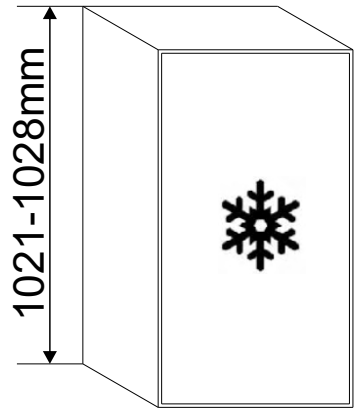
OPTION 2



# 10



## OPTION 2



3

L05

4B

4B L06

4B

4B

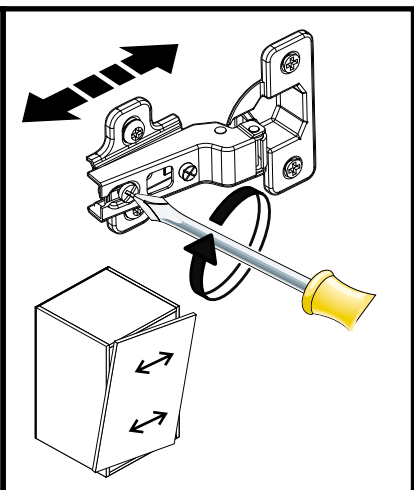
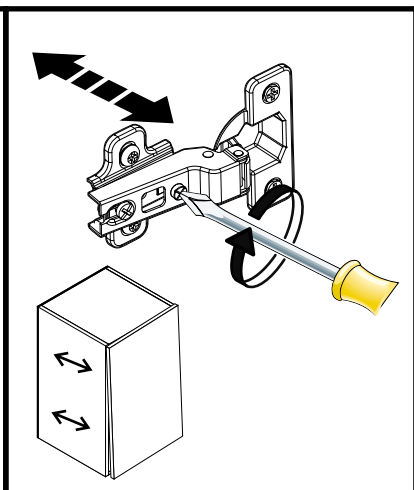
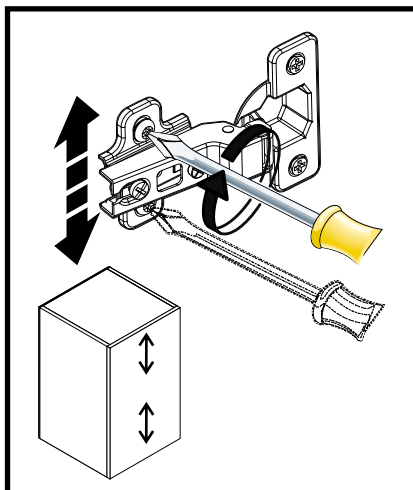
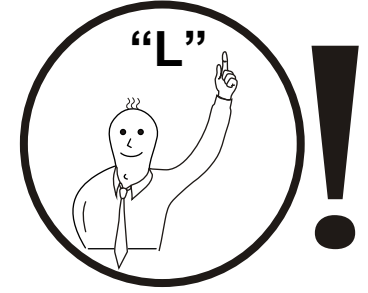
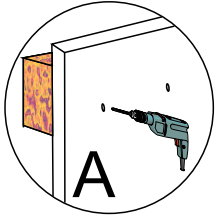
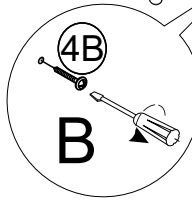
4B

4B

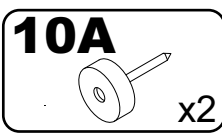
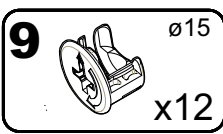
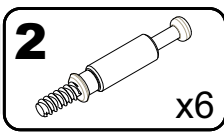
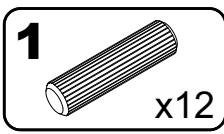
L07

3

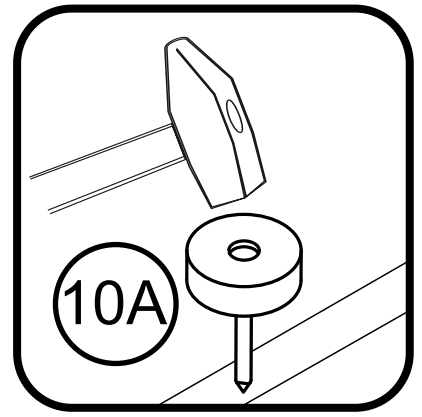
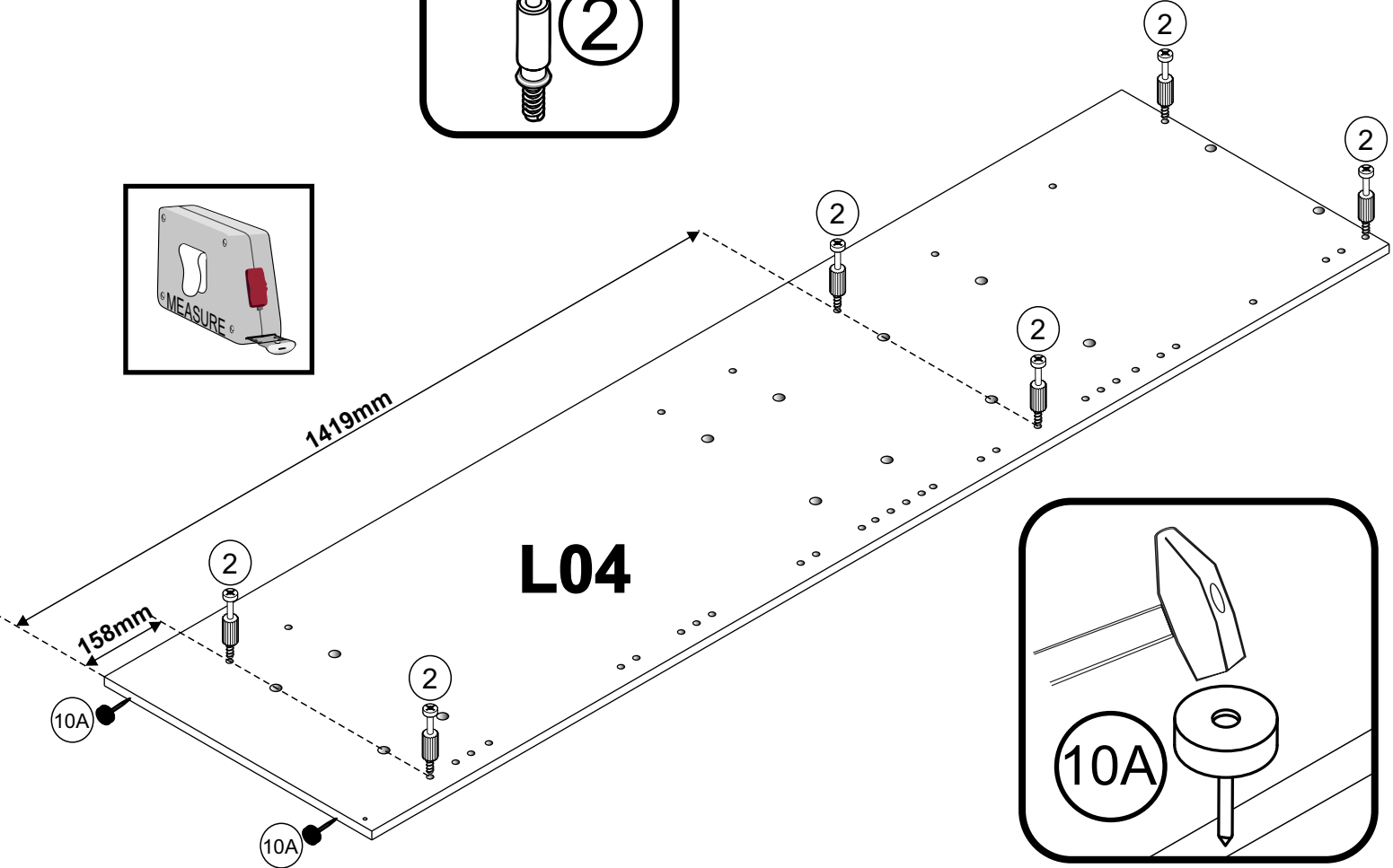
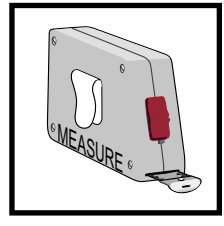
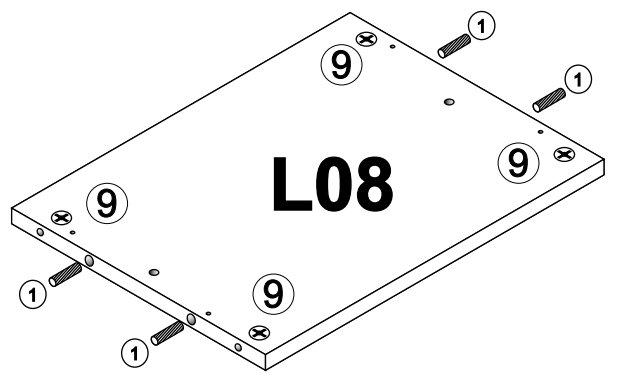
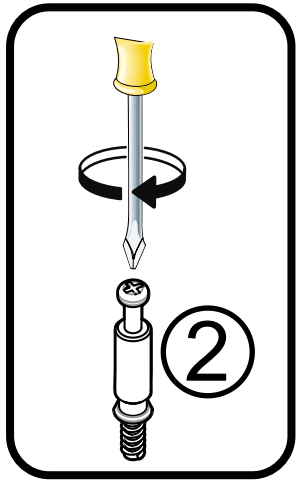
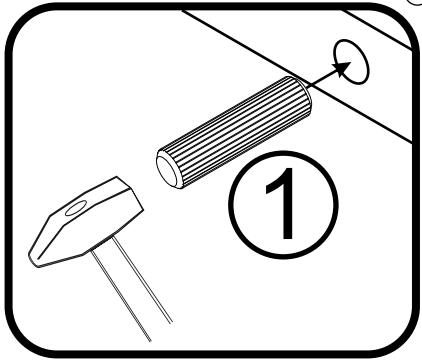
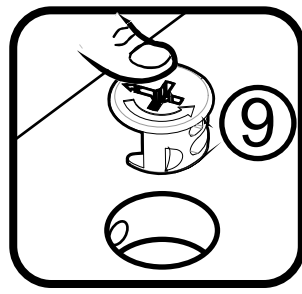
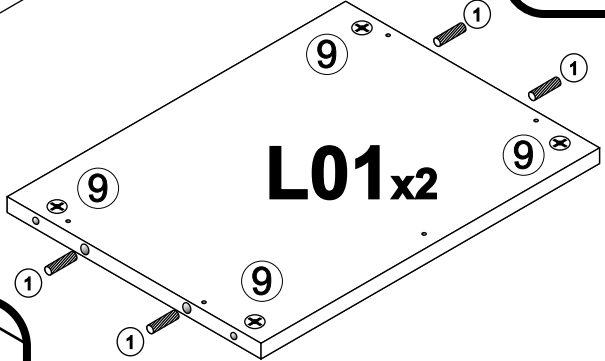
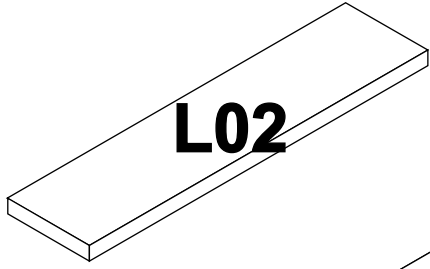
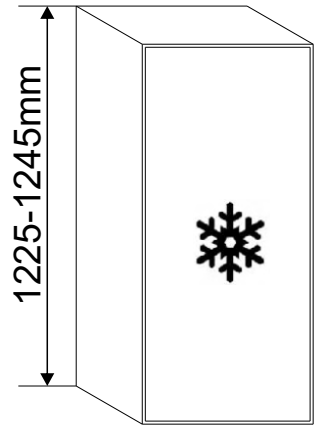
3



# 1

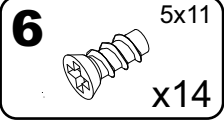
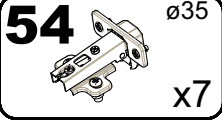
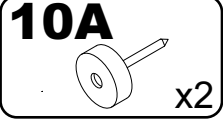
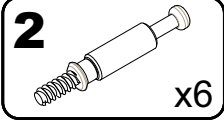


## OPTION 3

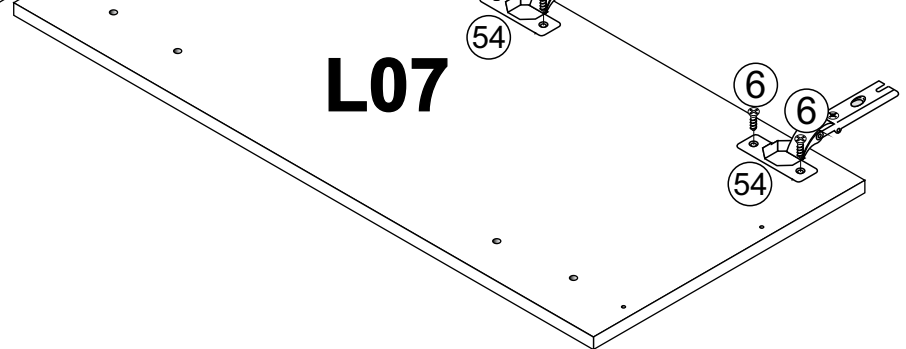
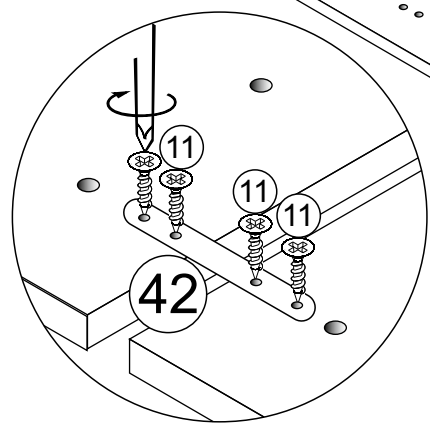
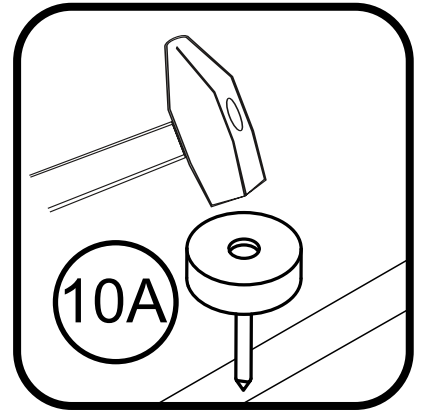
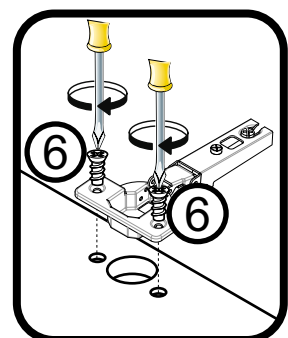
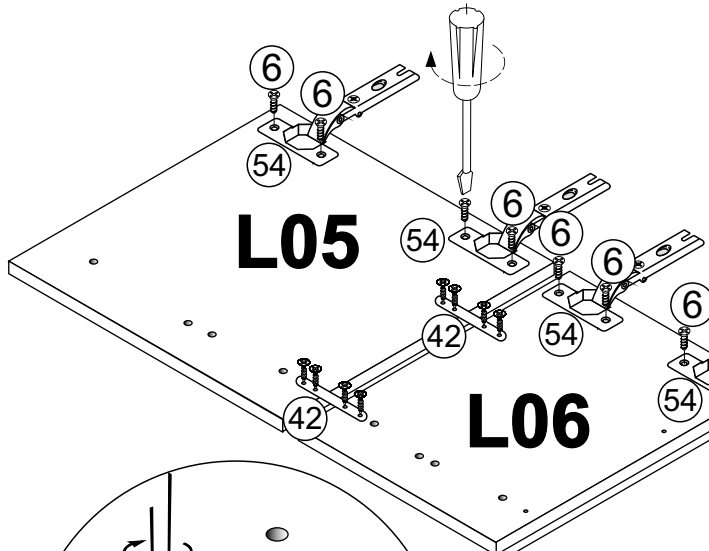
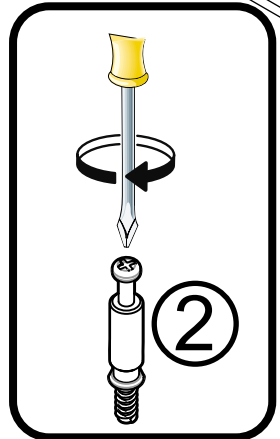
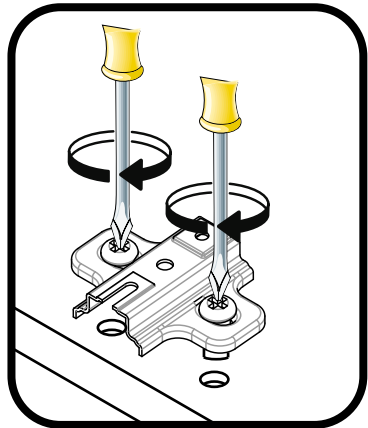
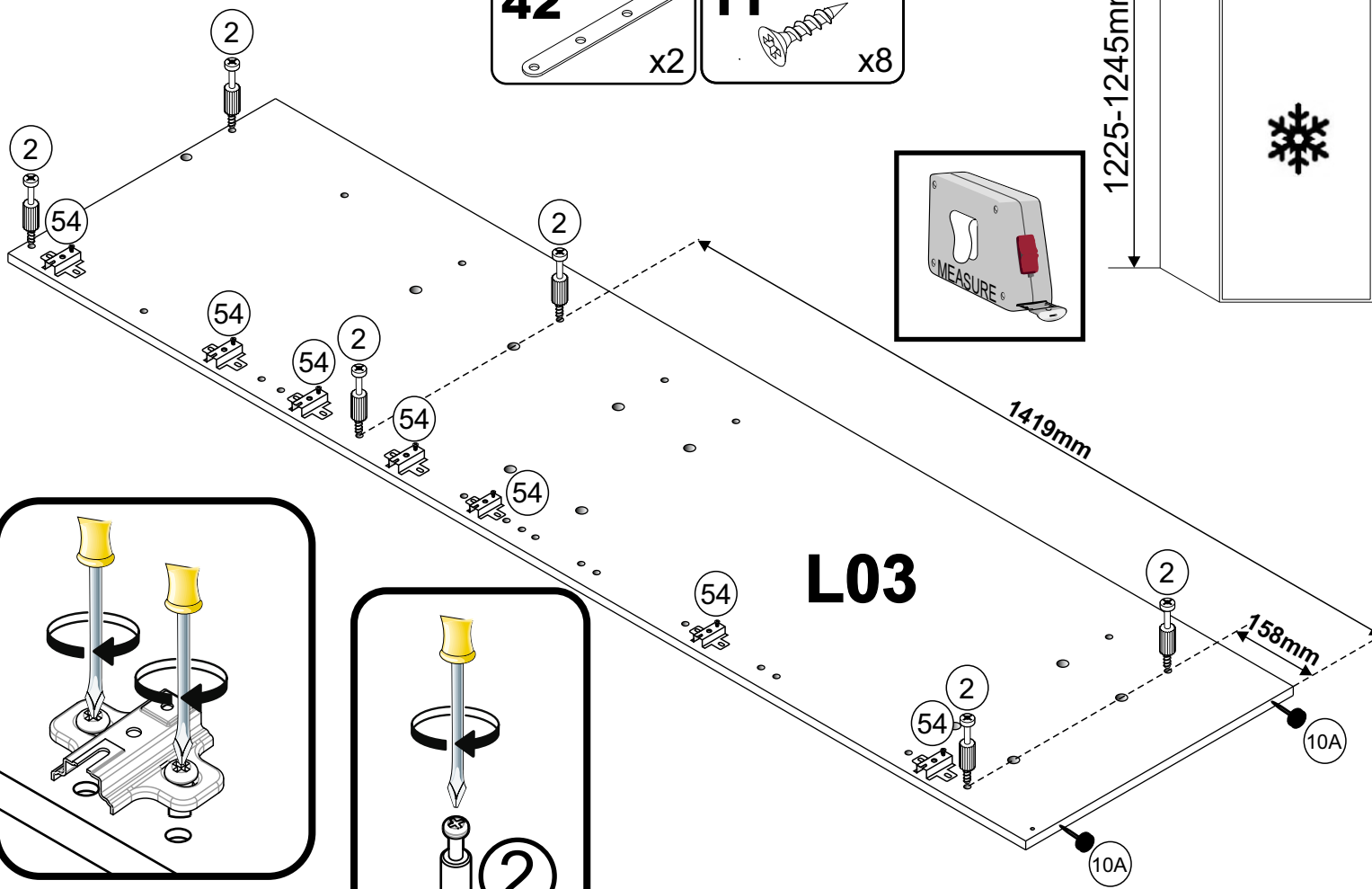
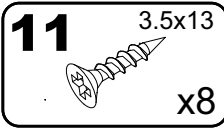
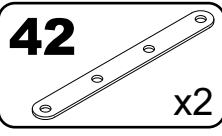
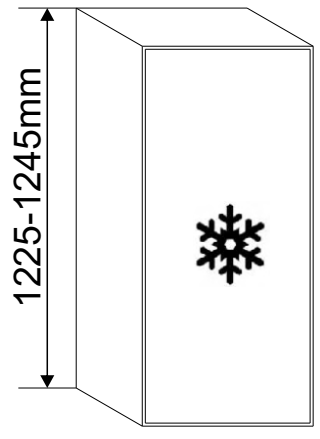




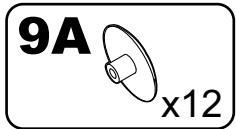
**2**



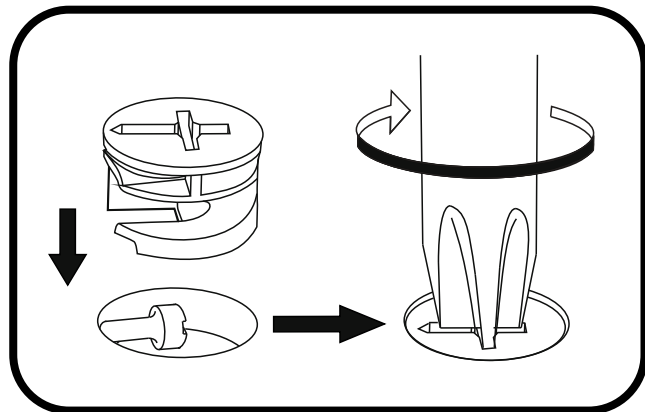
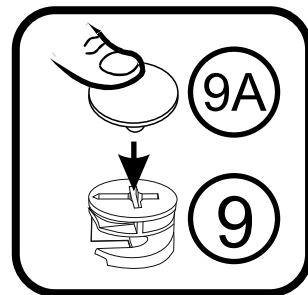
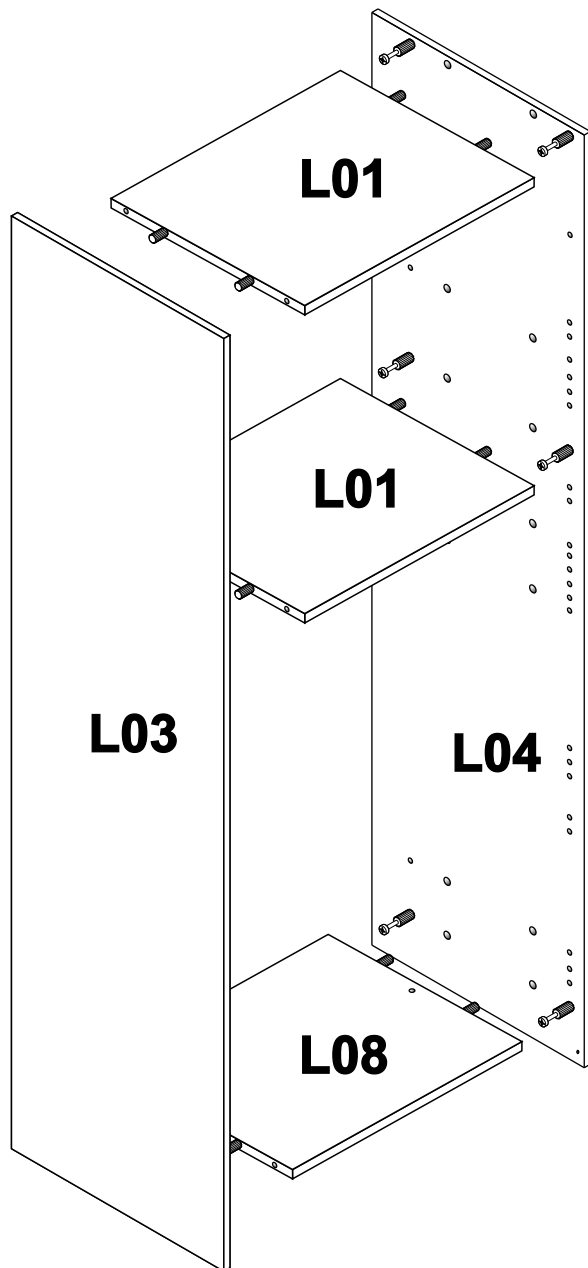
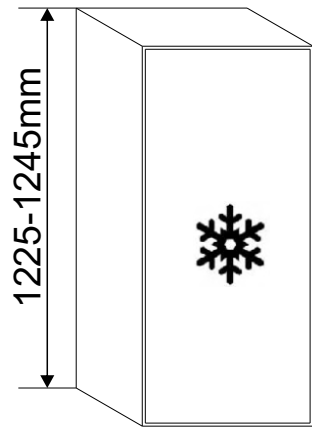
**OPTION 3**



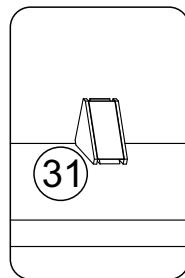
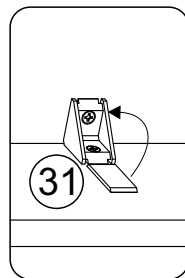
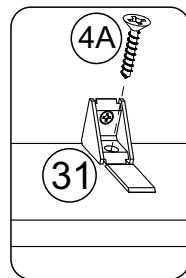
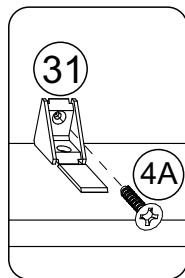
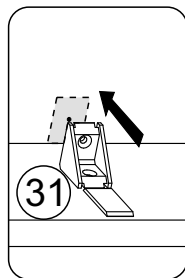
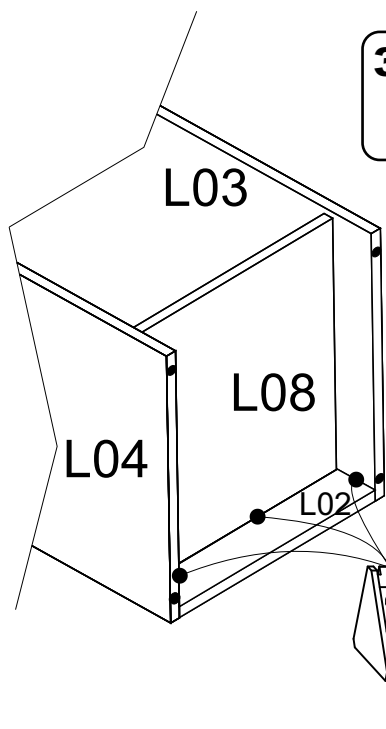
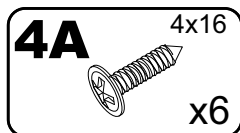
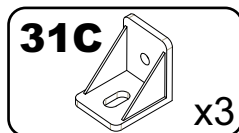
# 3



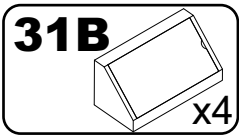
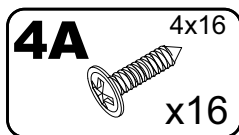
## OPTION 3



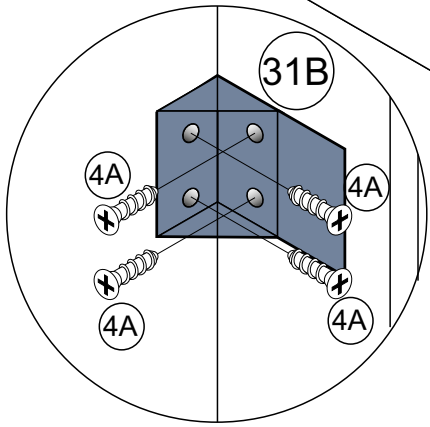
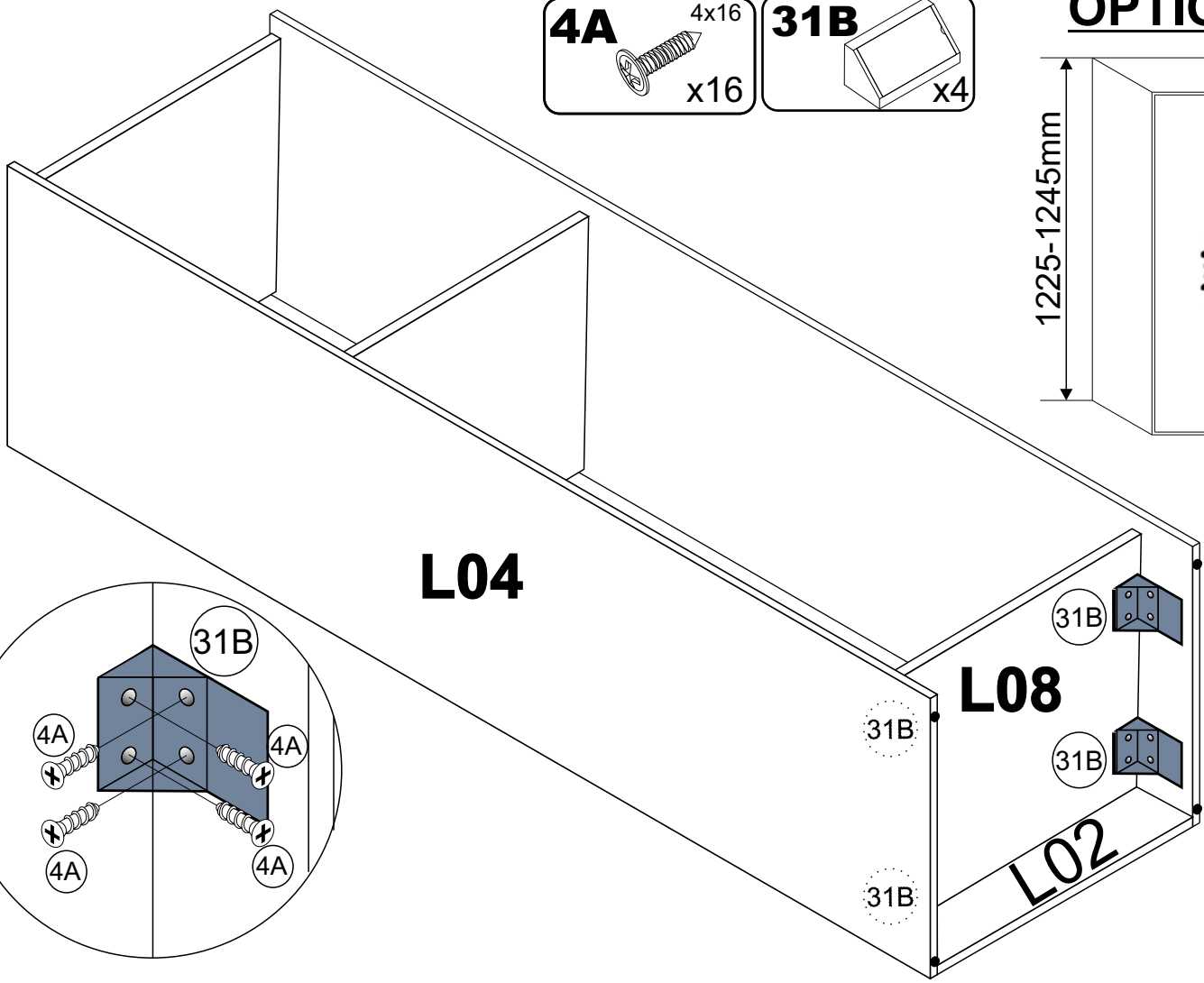
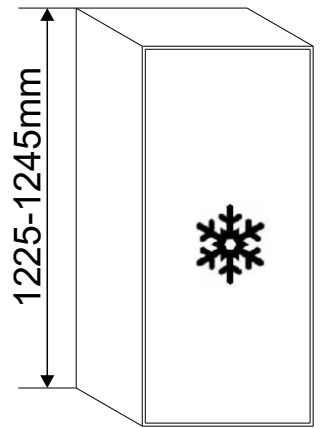
# 4



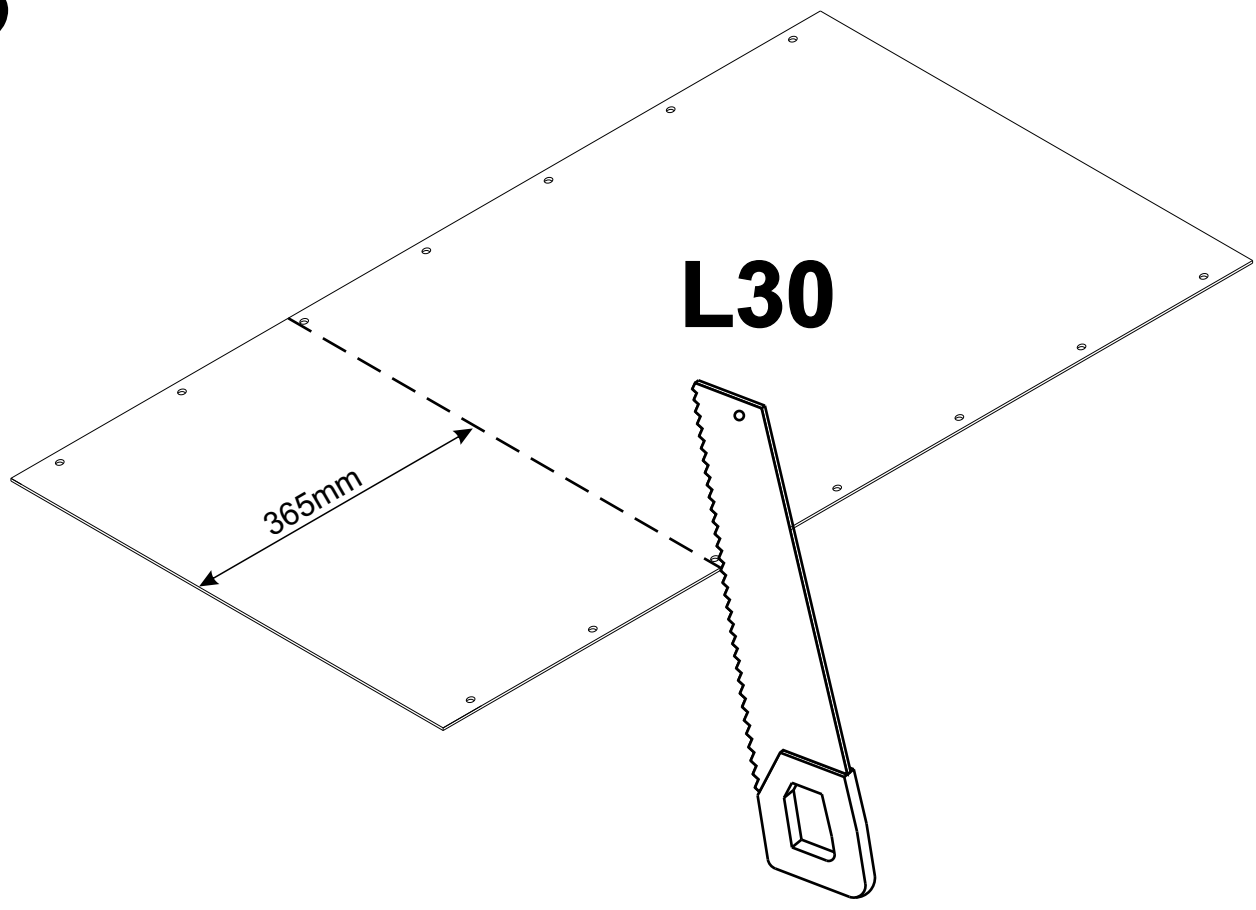
5



**OPTION 3**

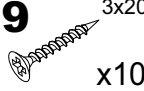
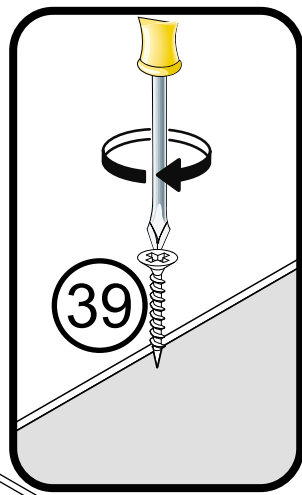


6

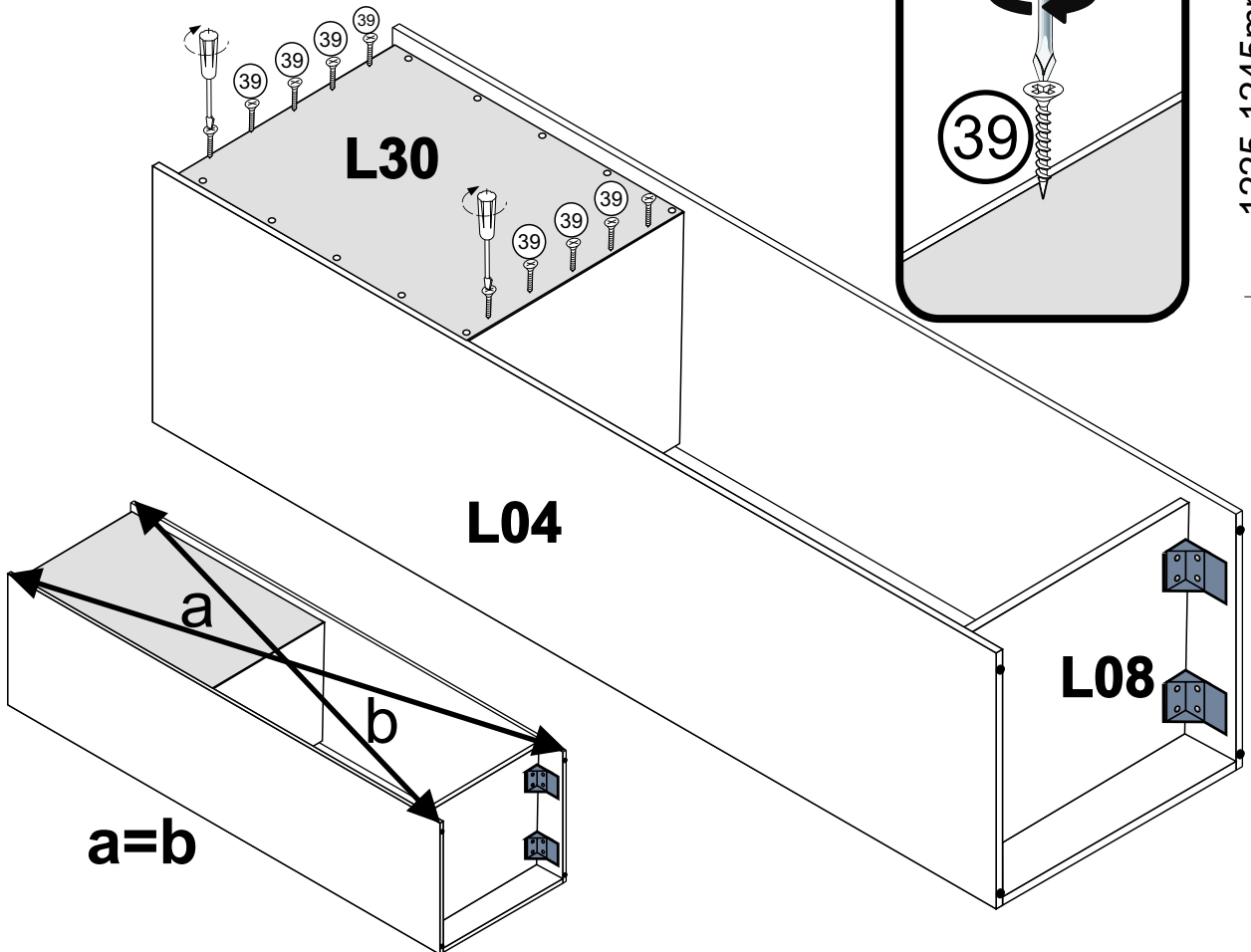
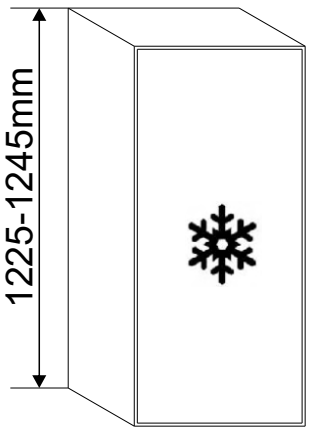


7

**39** 3x20  
x10

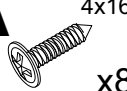



**OPTION 3**


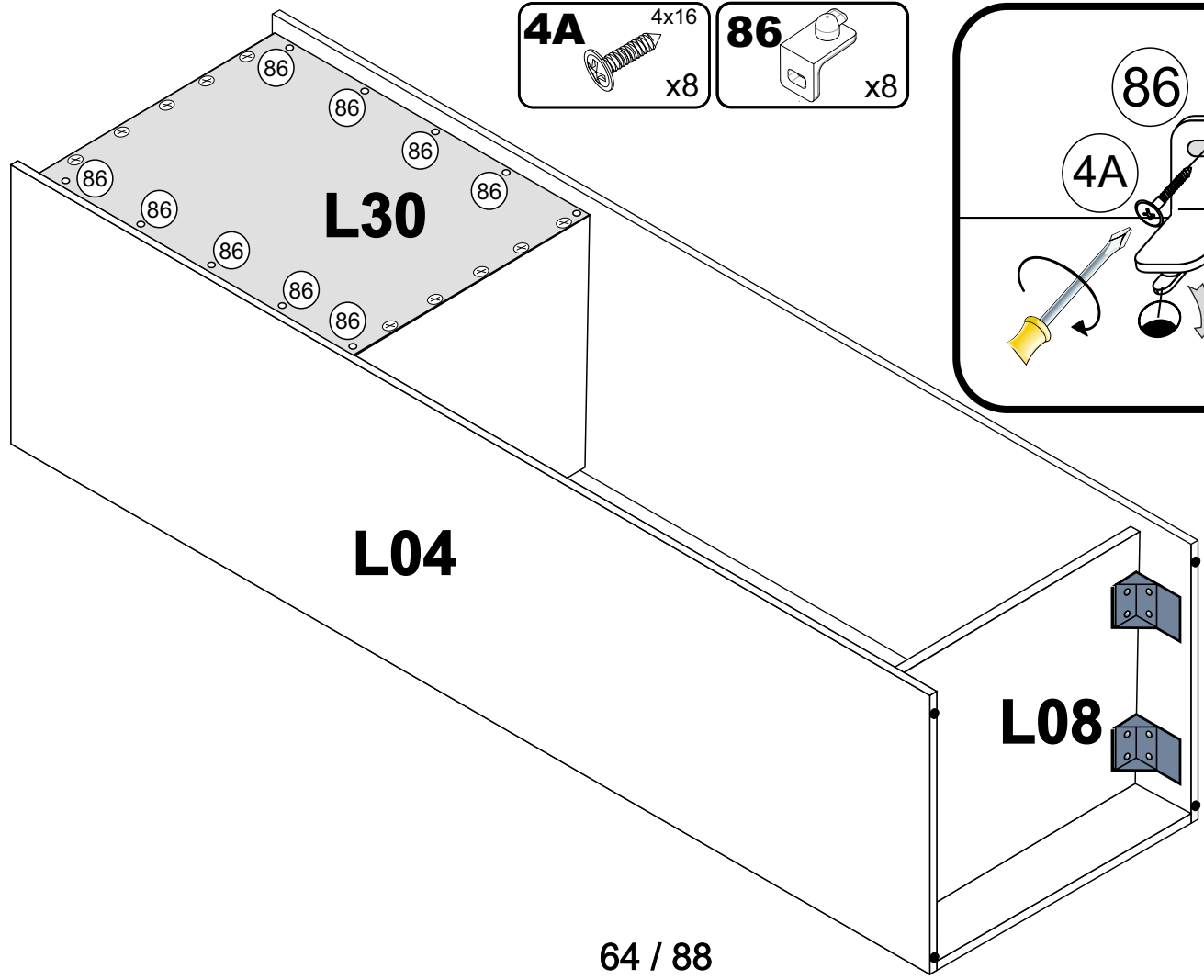
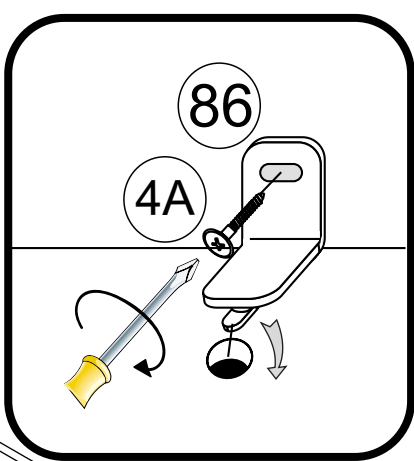


8

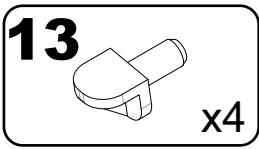
**4A** 4x16  
x8



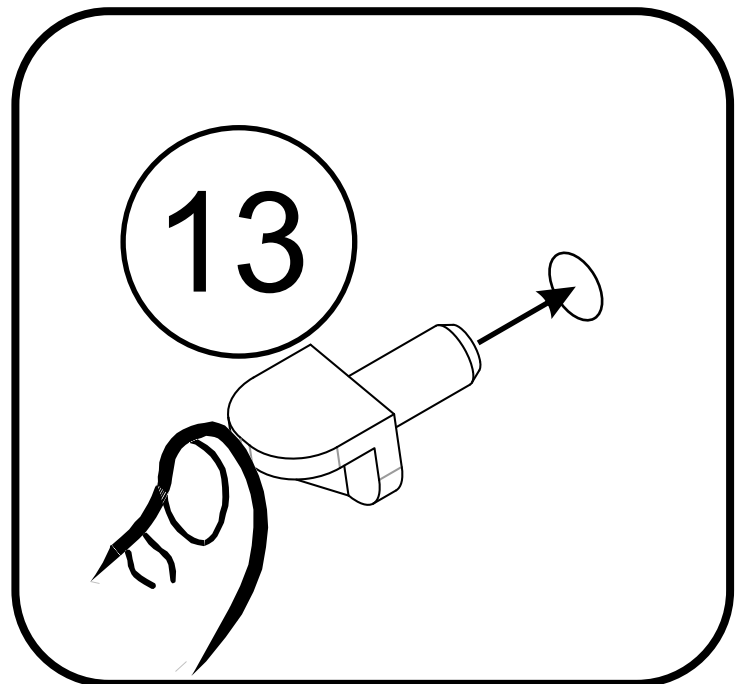
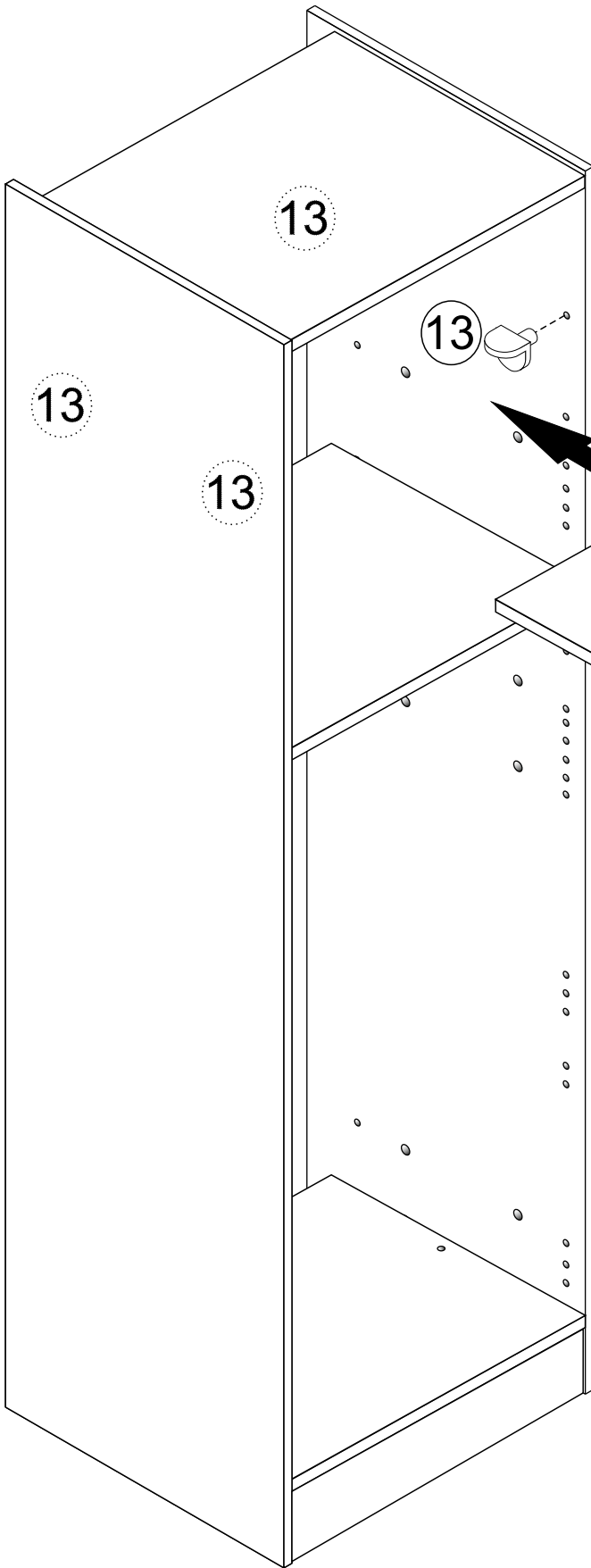
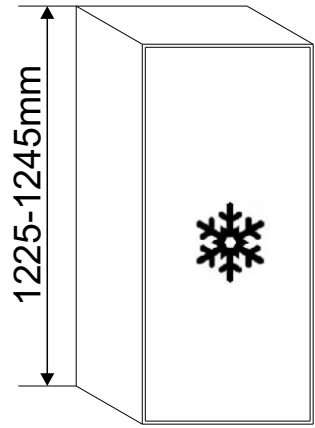
**86**  
x8

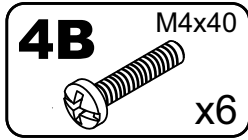
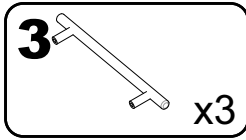
9



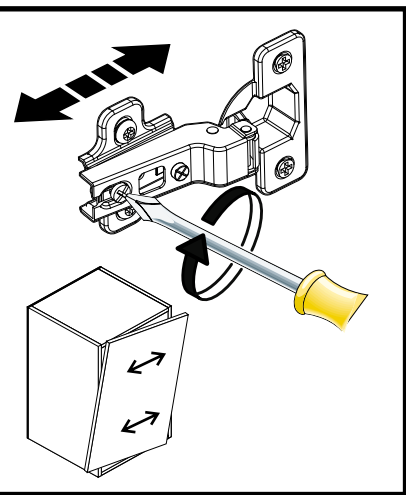
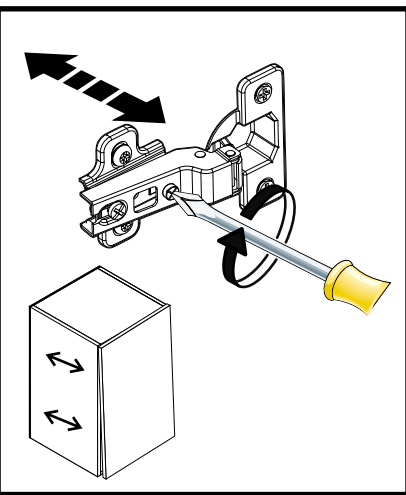
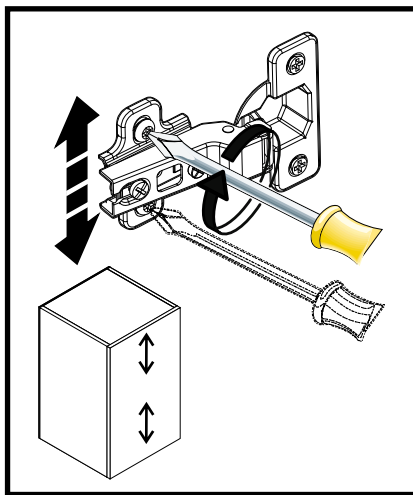
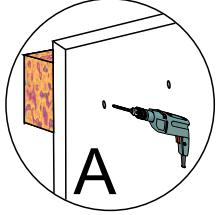
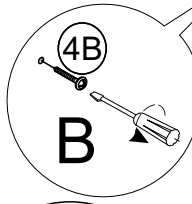
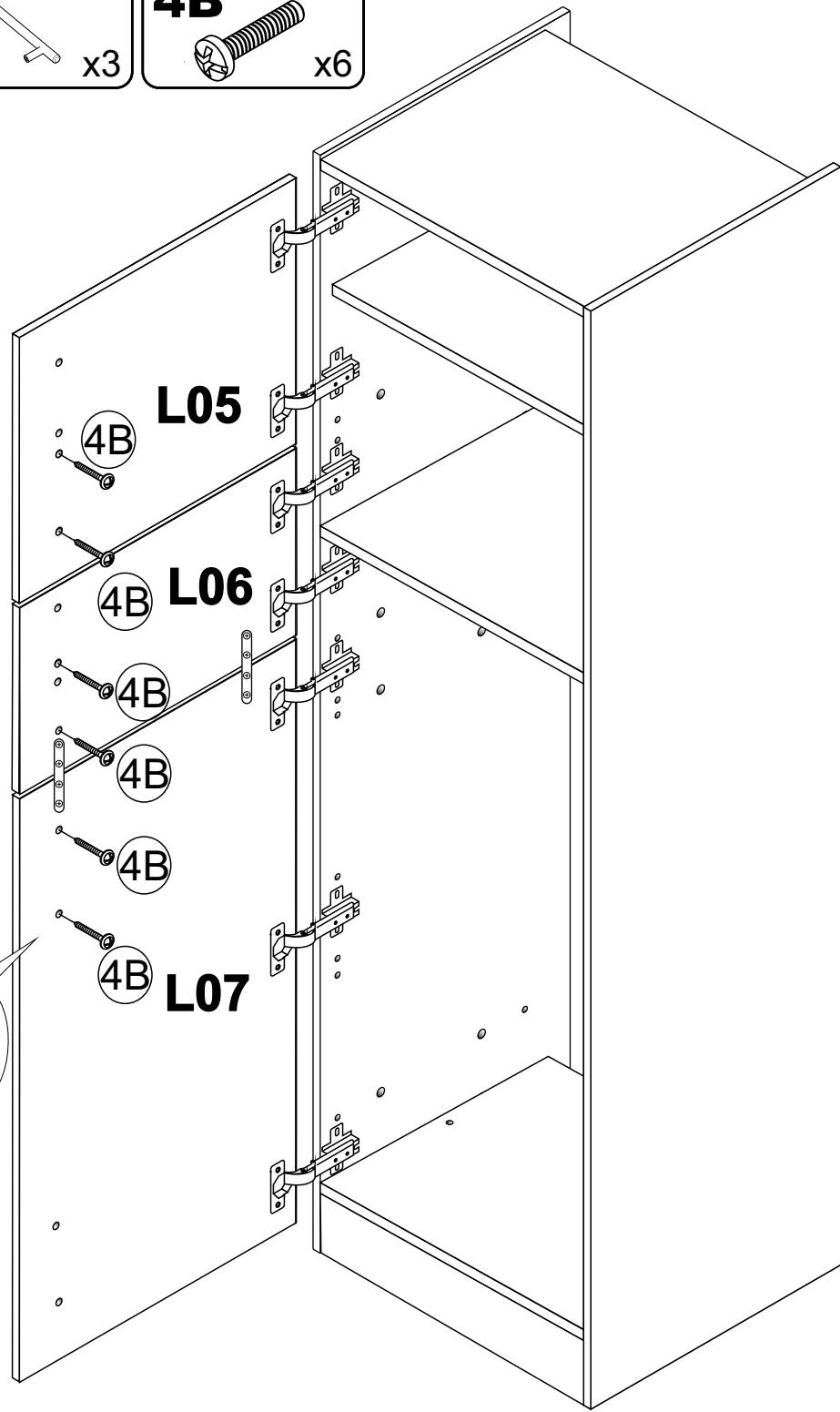
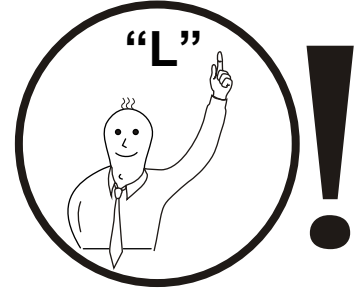
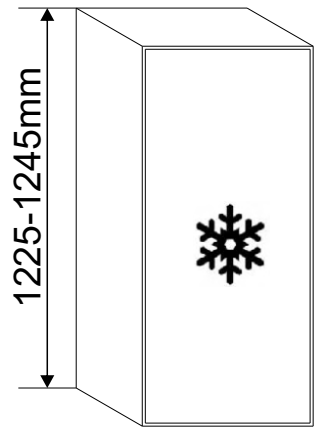
**OPTION 3**



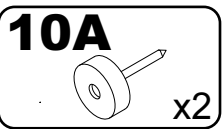
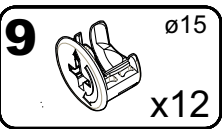
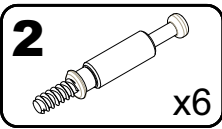
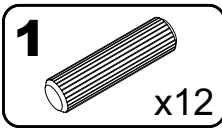
# 10



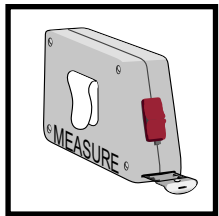
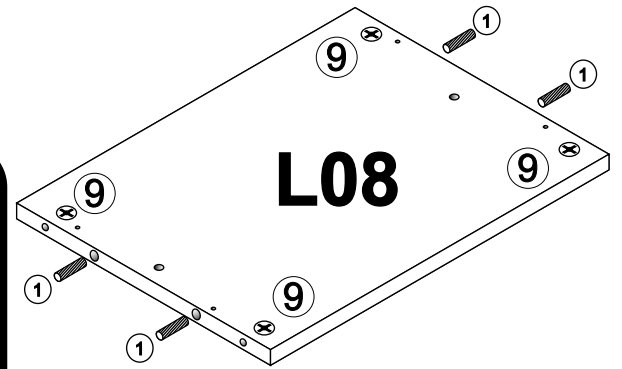
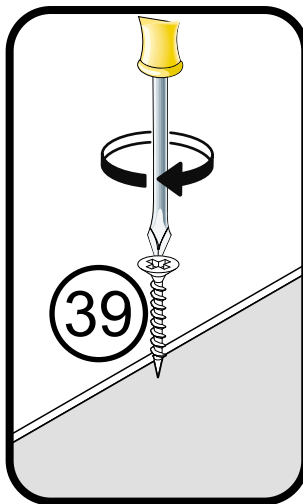
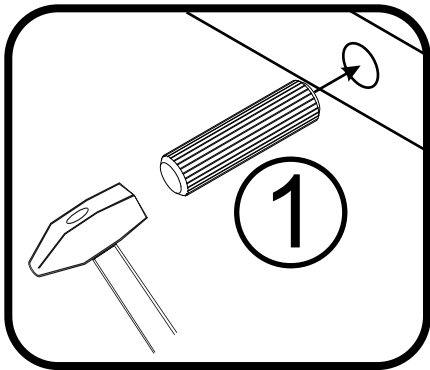
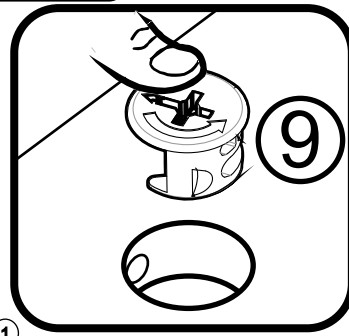
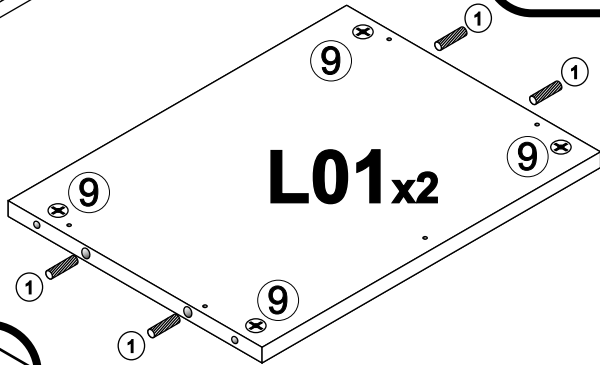
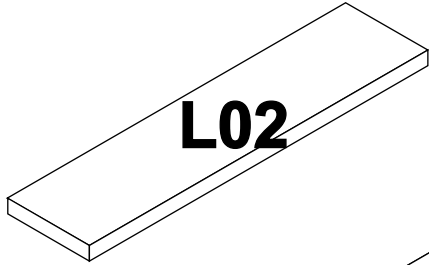
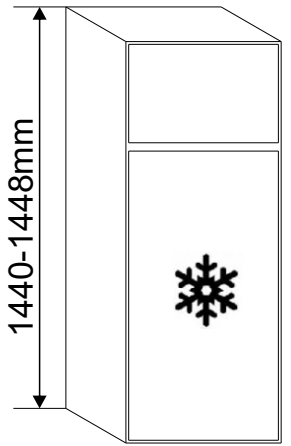
## OPTION 3



# 1



## OPTION 4



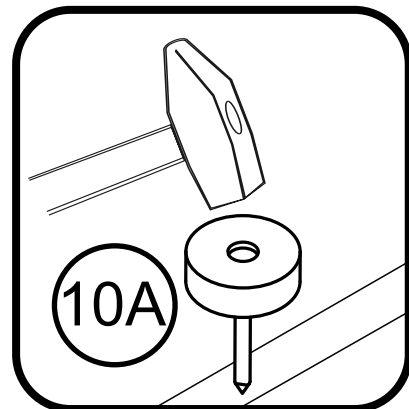
1622mm

### L04

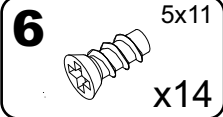
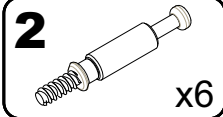
158mm

10A

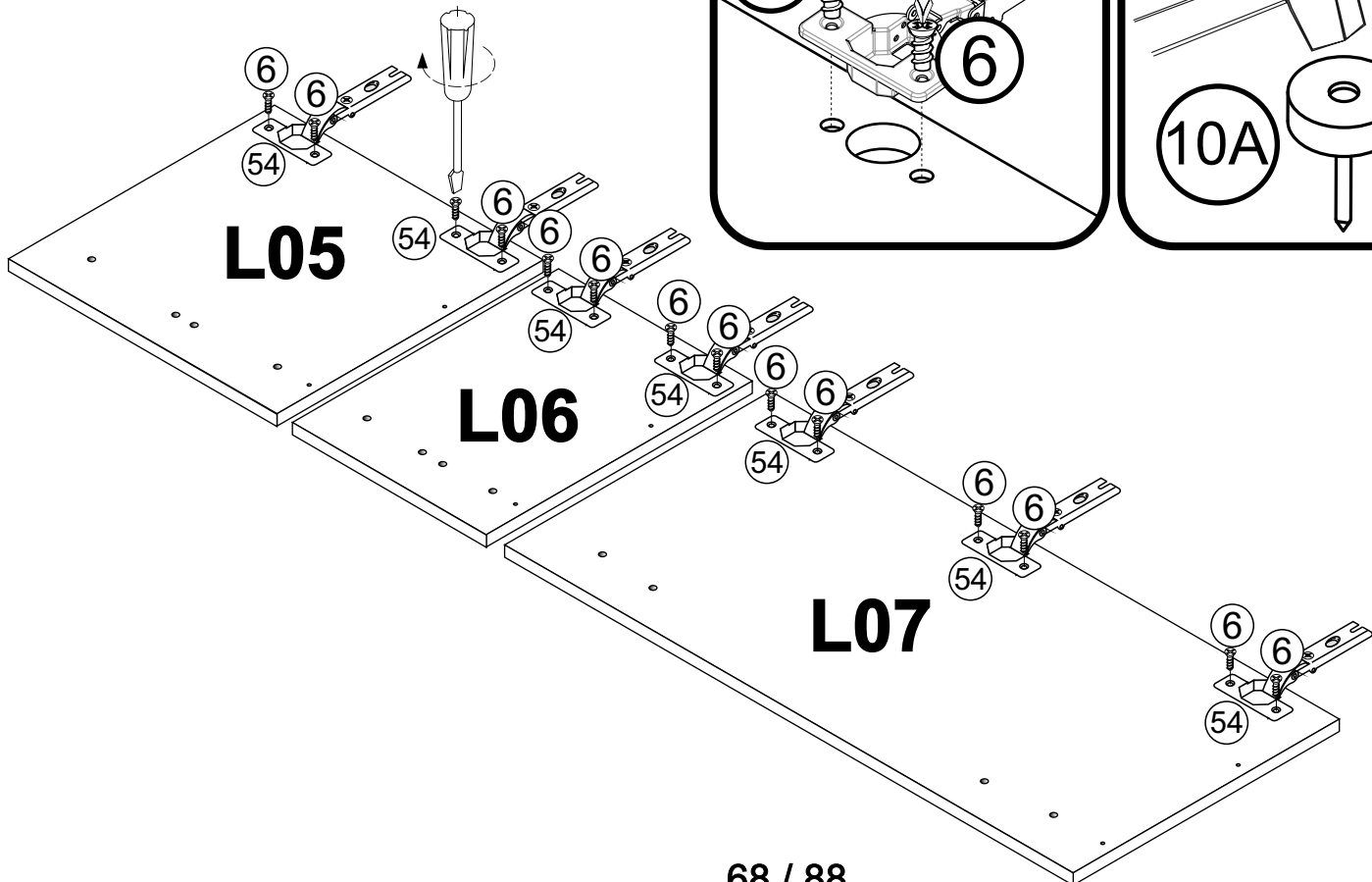
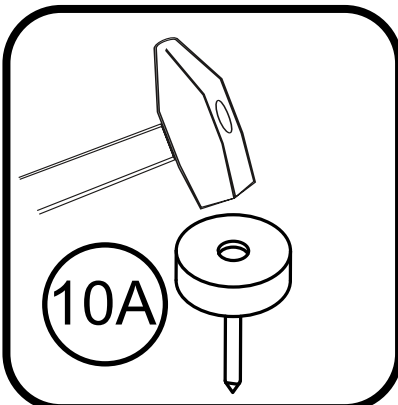
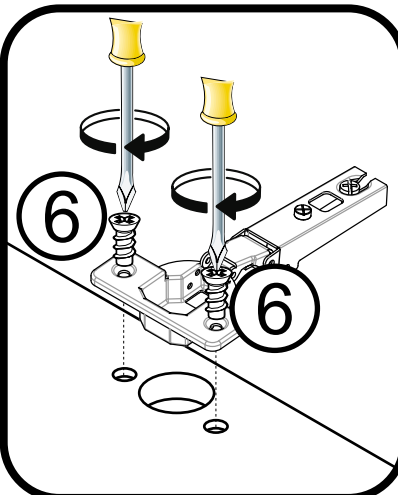
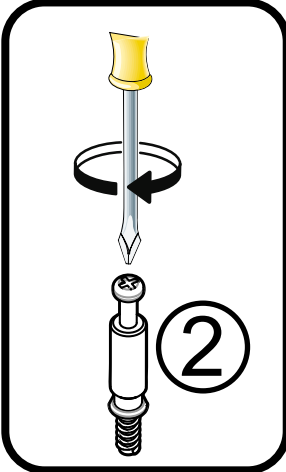
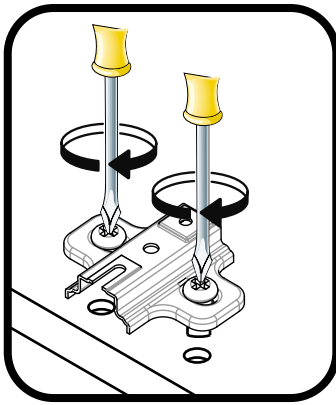
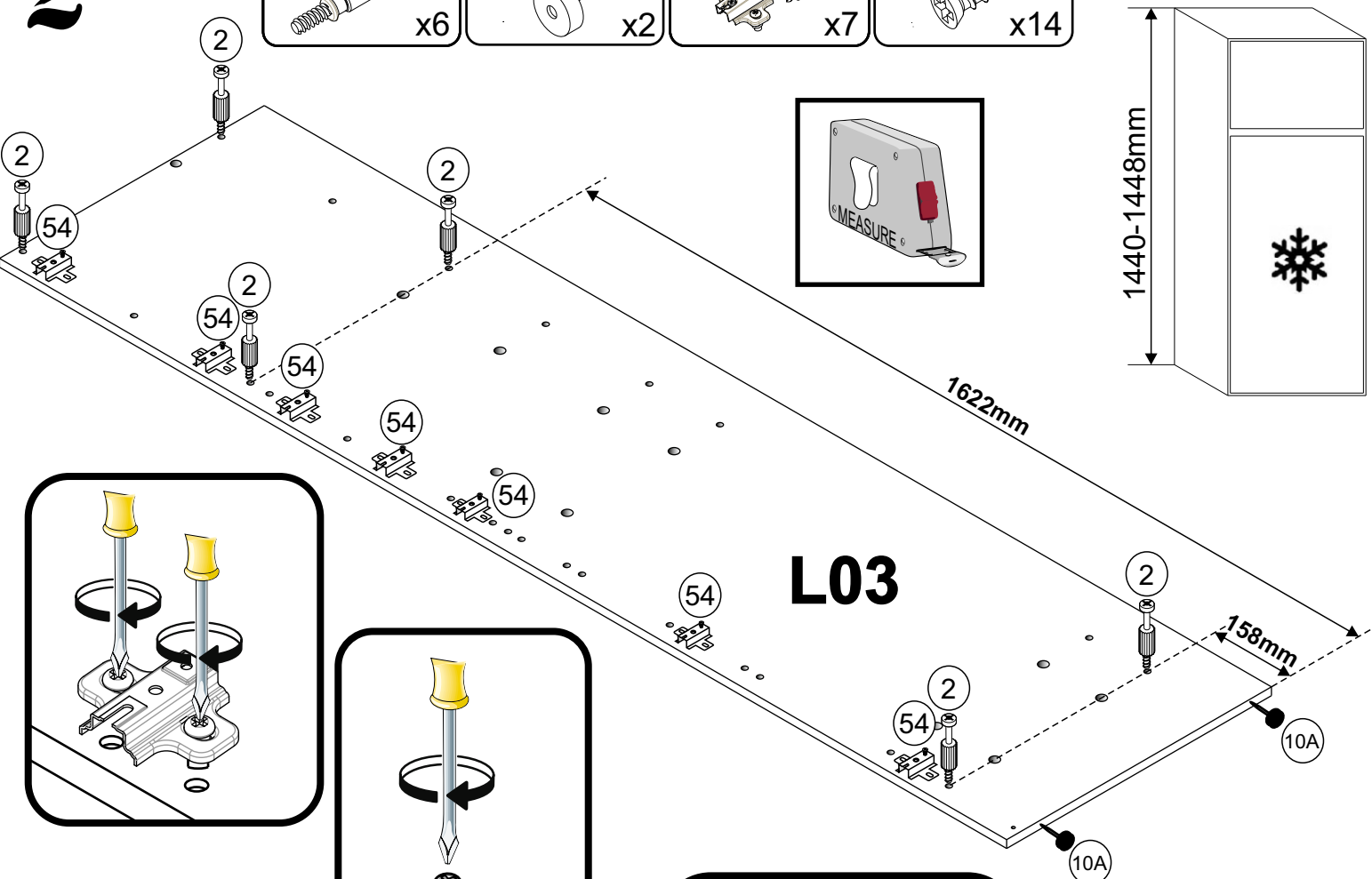
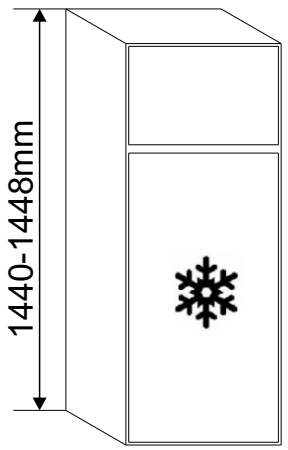
10A



# 2

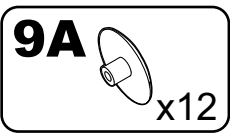


## OPTION 4

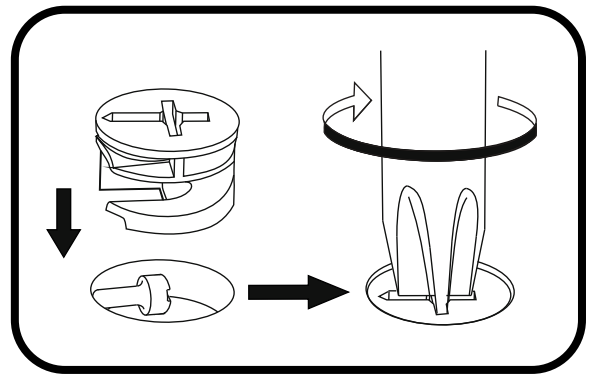
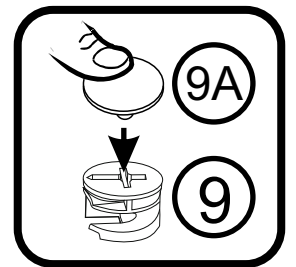
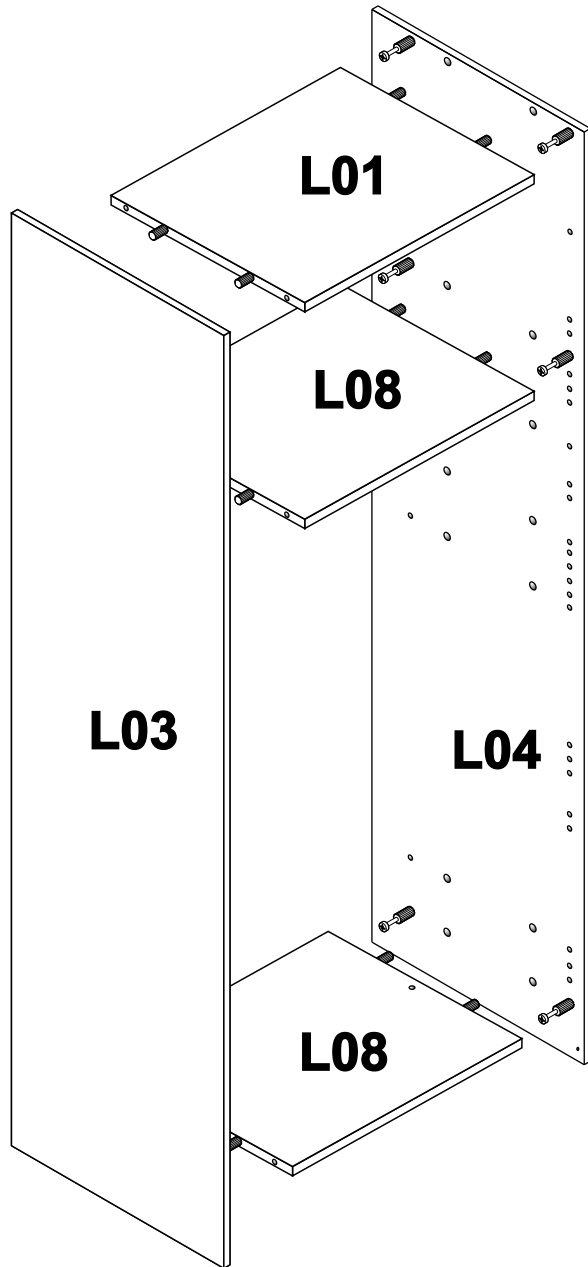
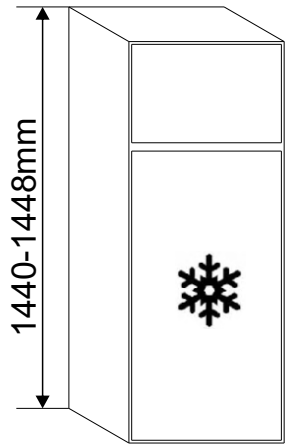




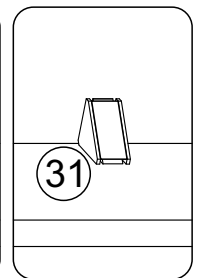
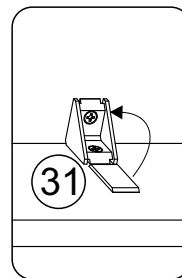
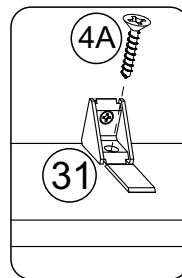
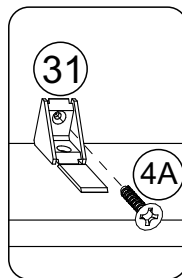
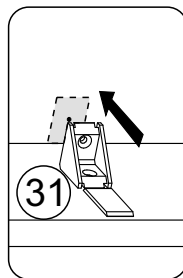
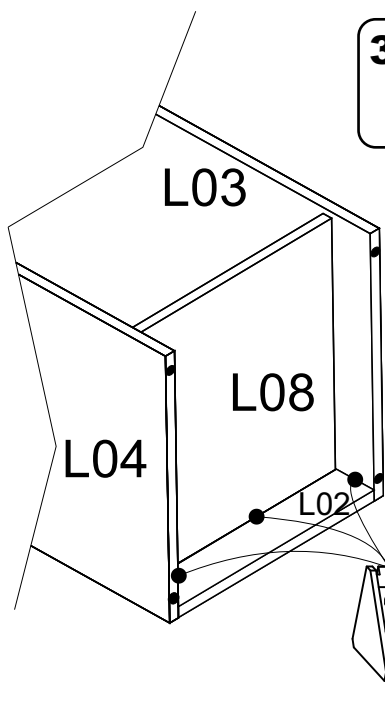
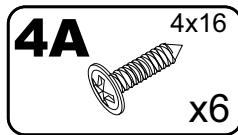
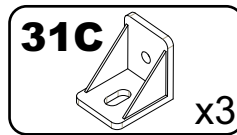
# 3



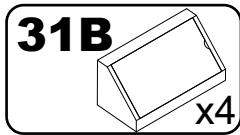
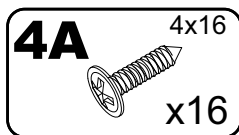
## OPTION 4



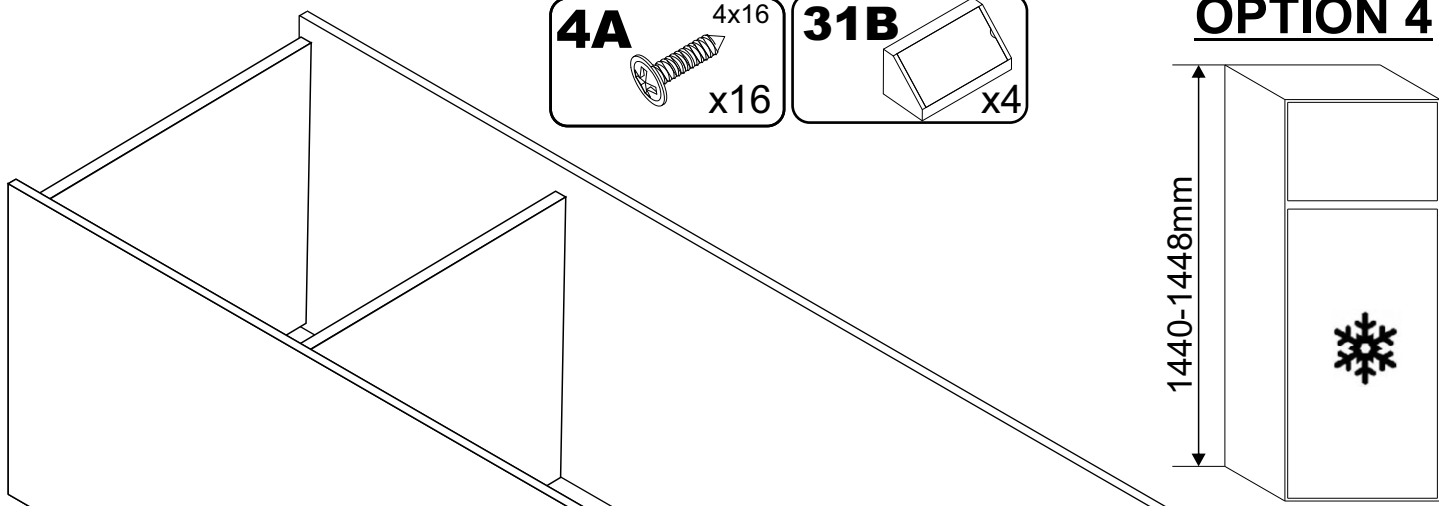
# 4



5



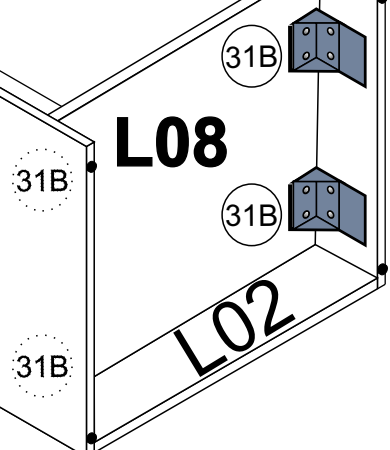
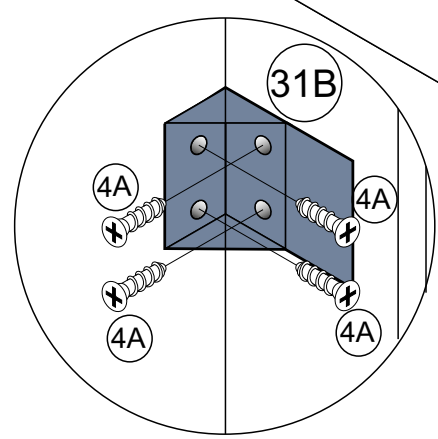
OPTION 4



L04

L08

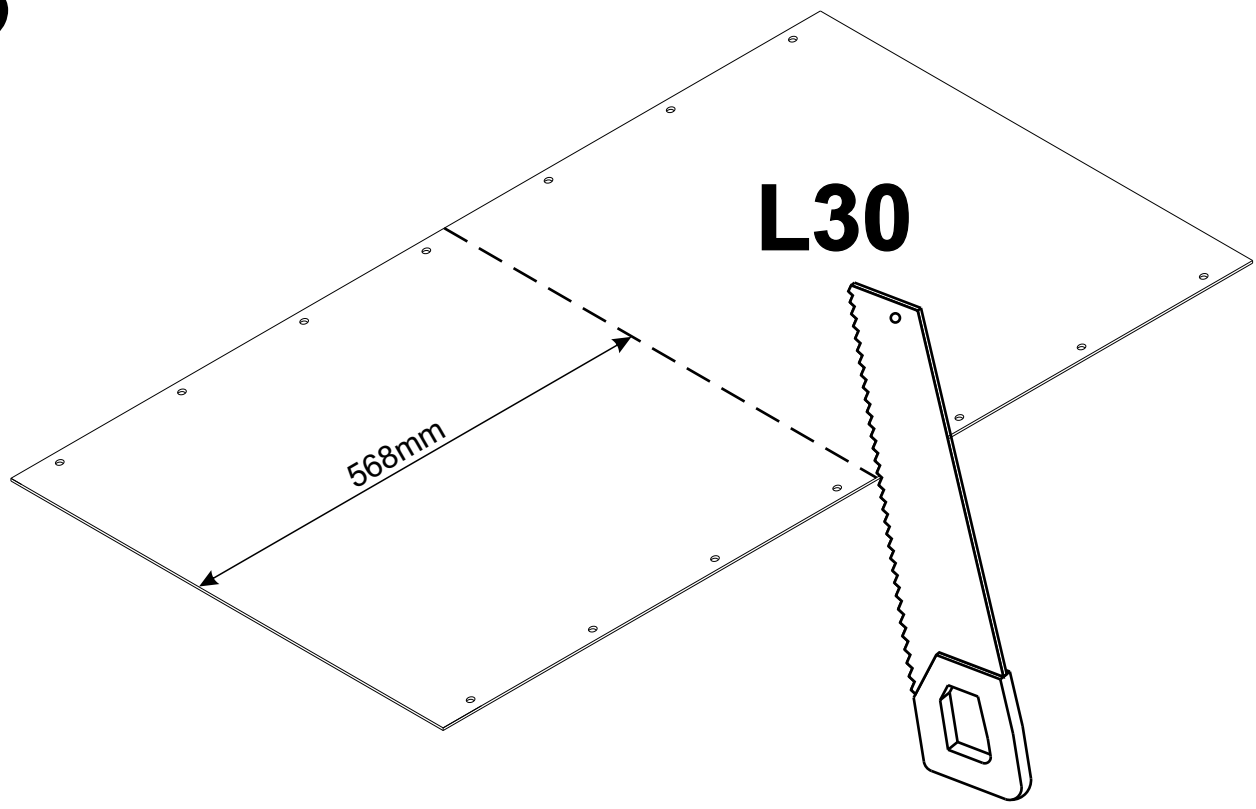
L02



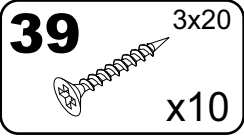
6

L30

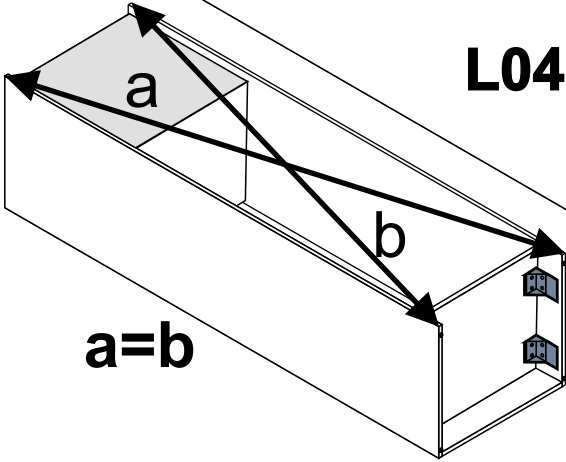
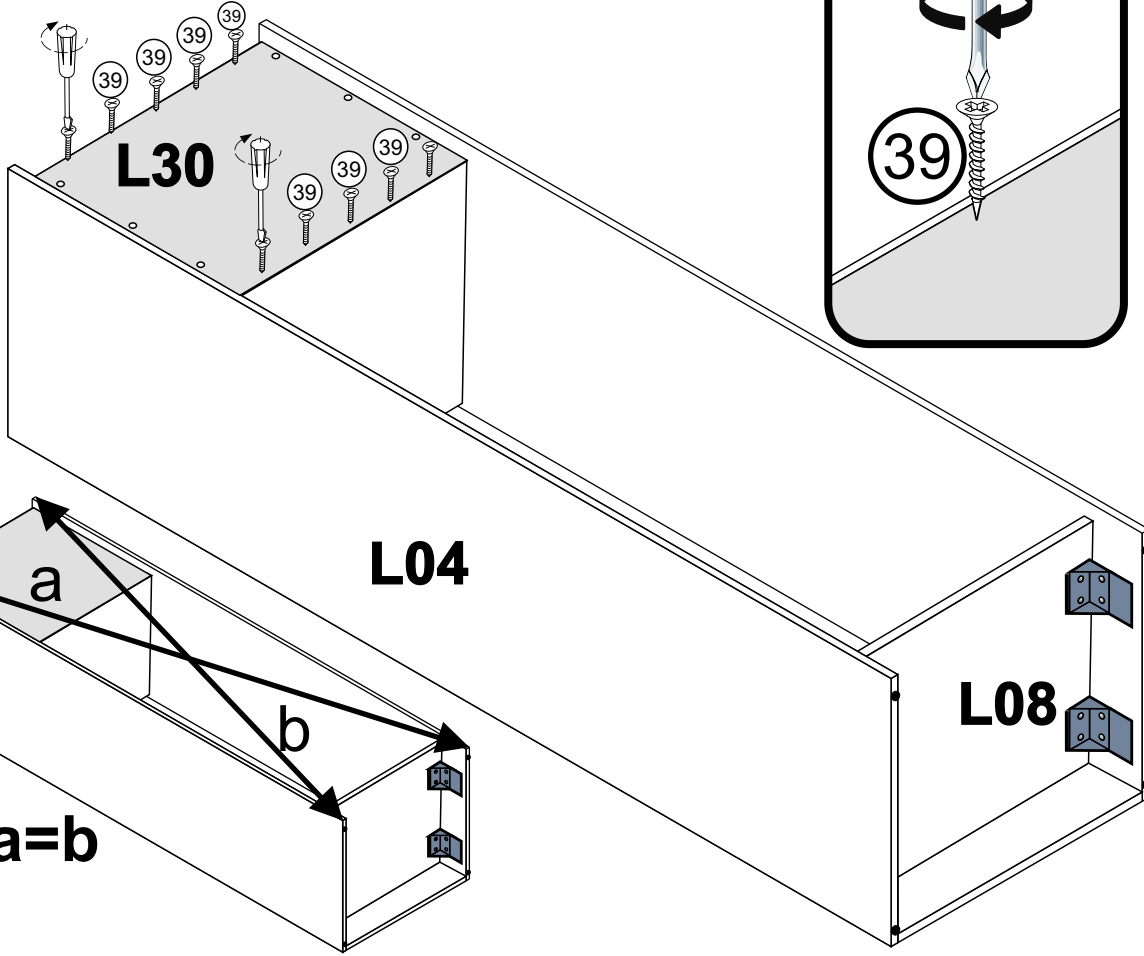
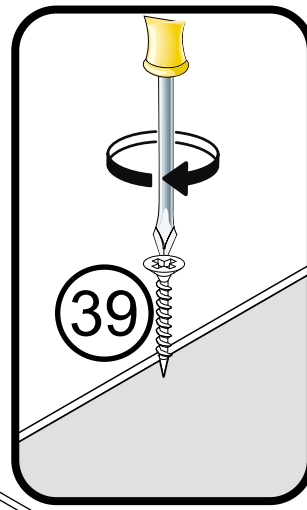
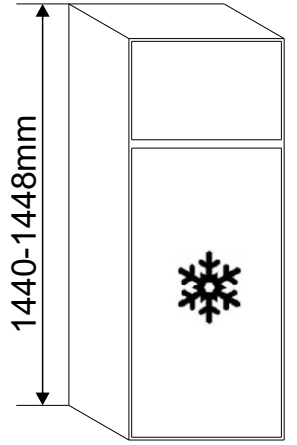
568mm



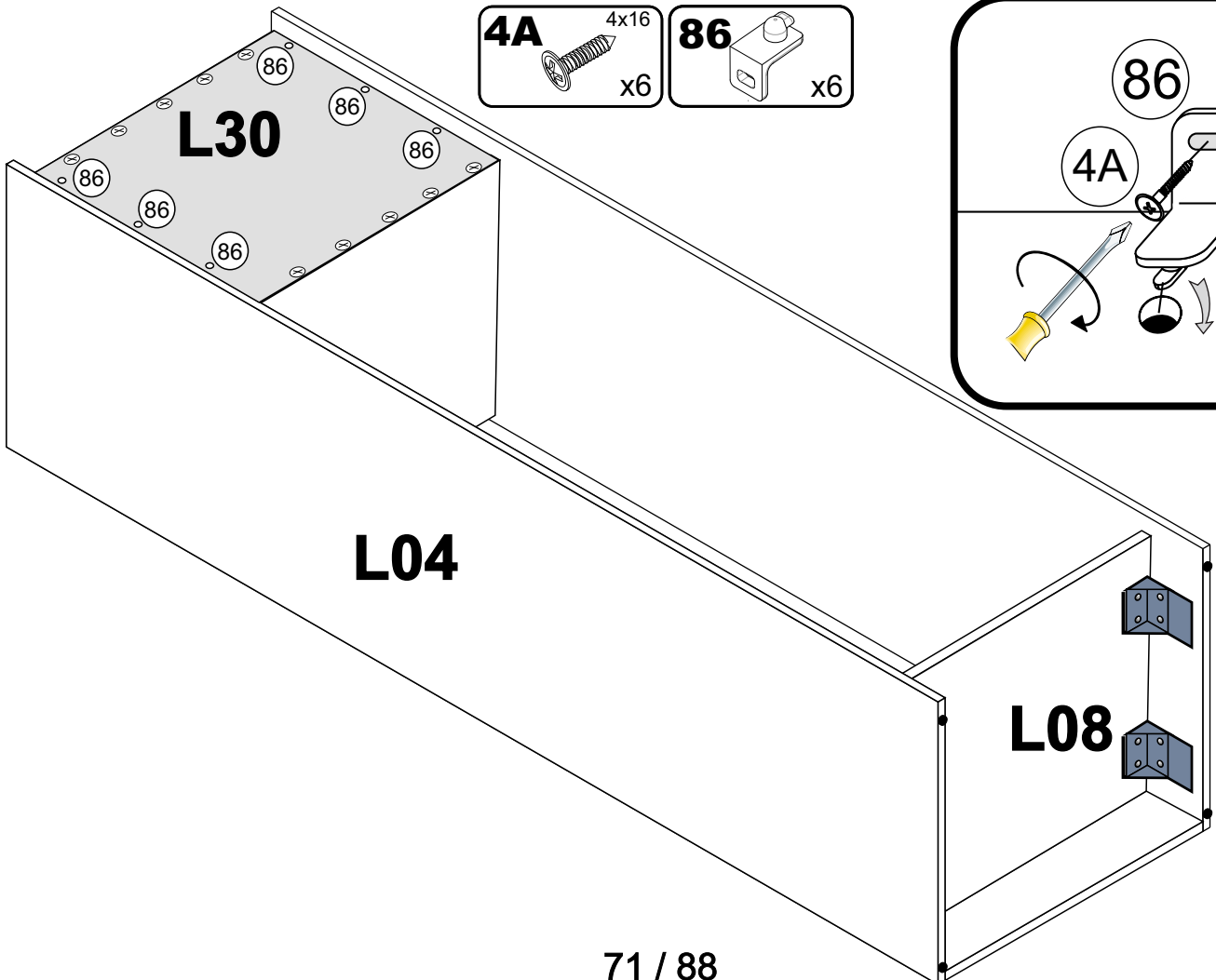
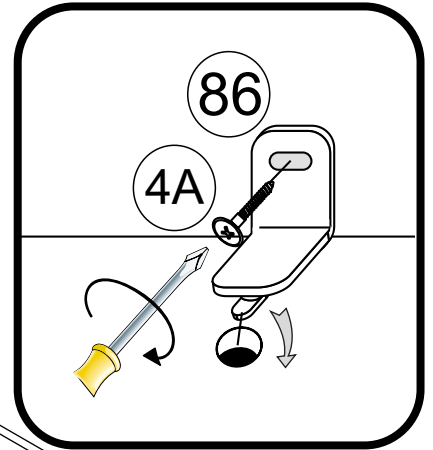
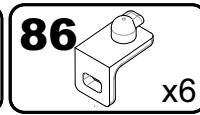
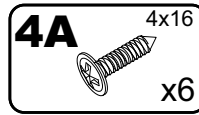
7



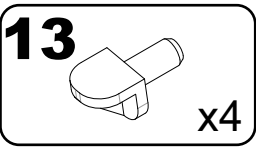
**OPTION 4**



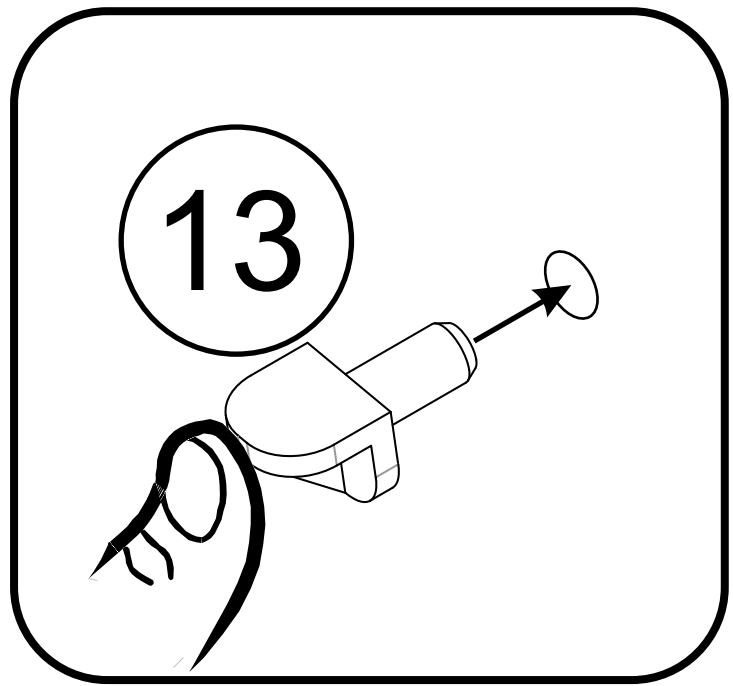
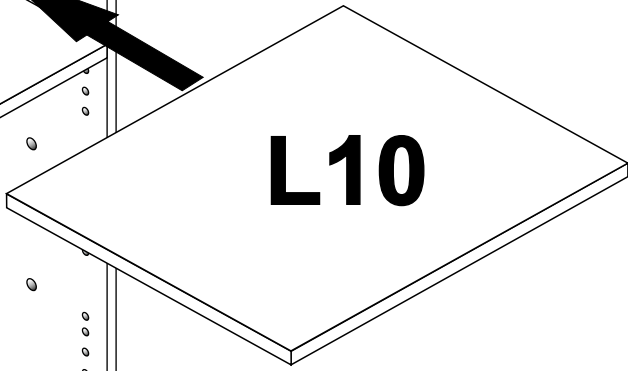
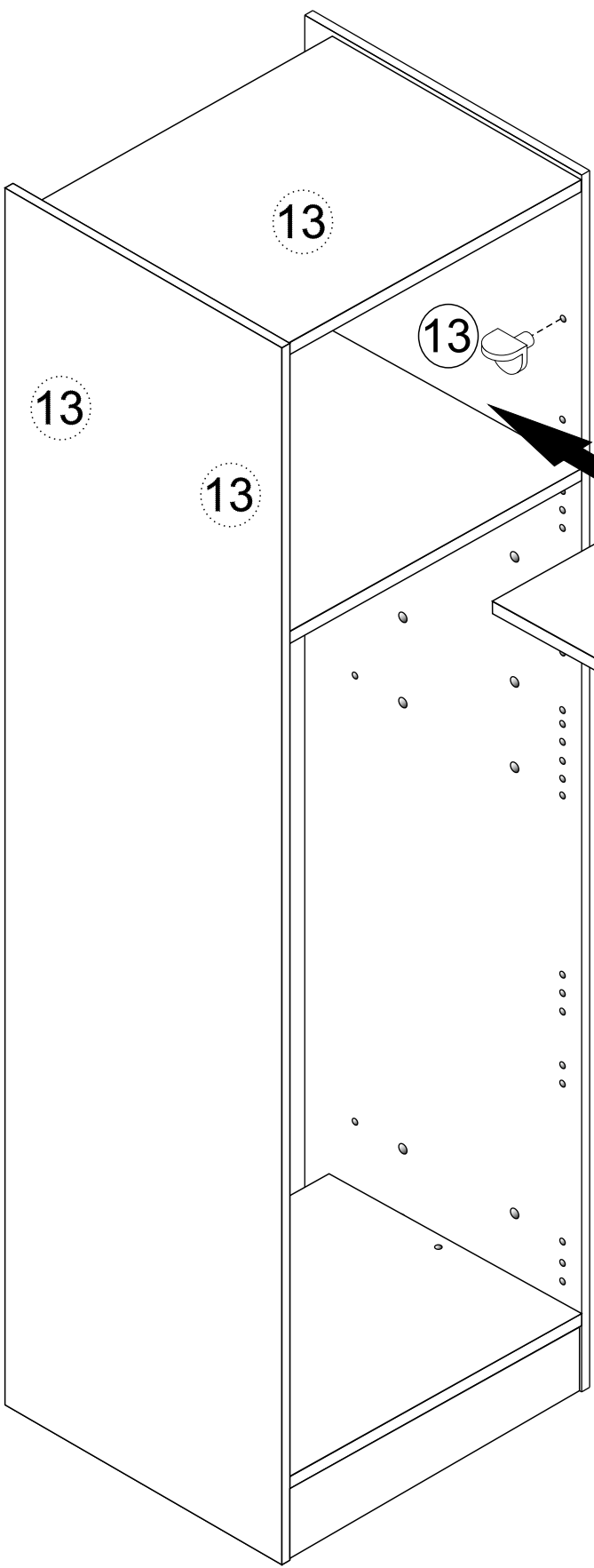
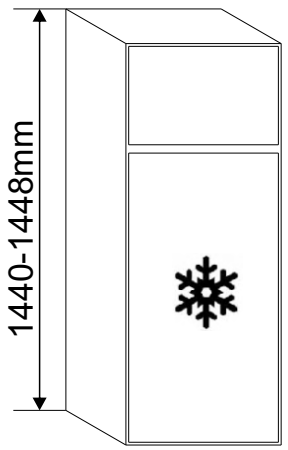
8



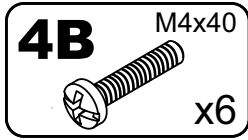
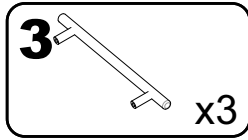
9



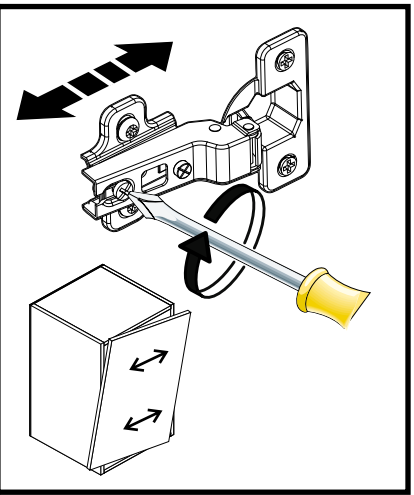
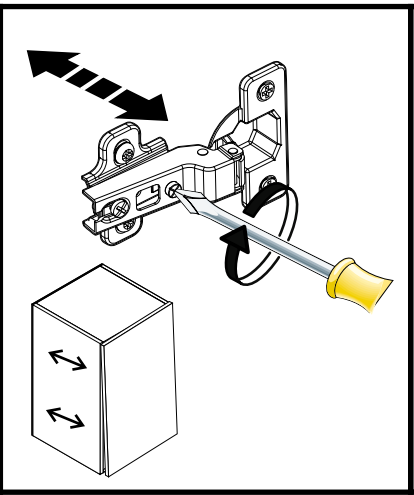
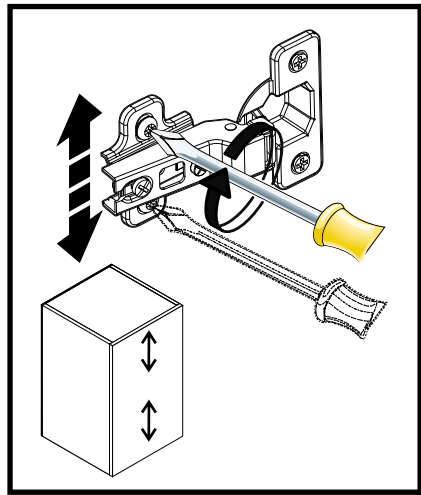
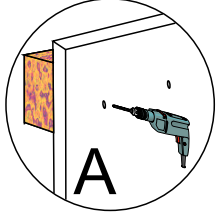
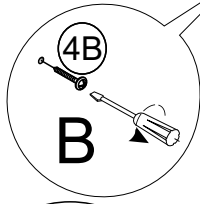
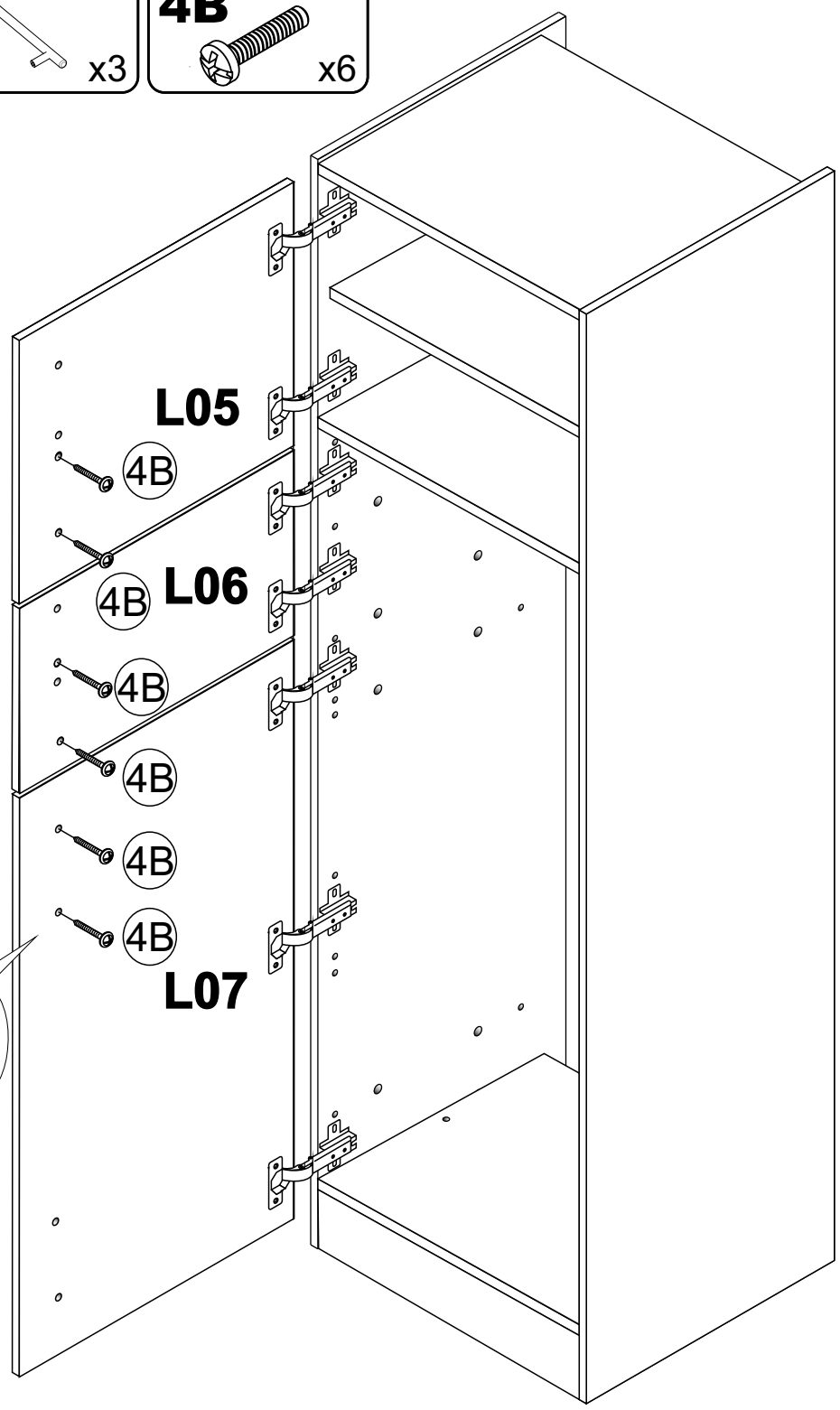
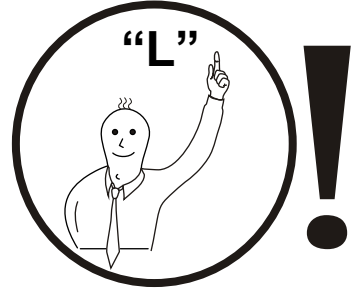
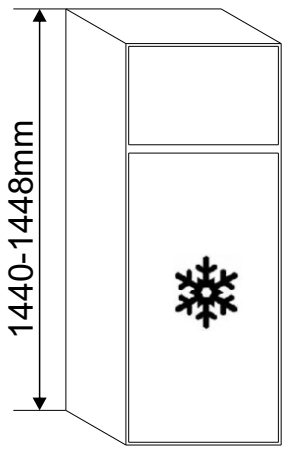
**OPTION 4**



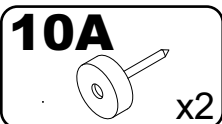
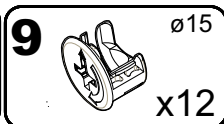
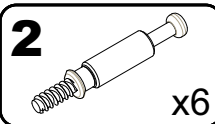
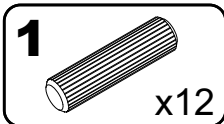
# 10



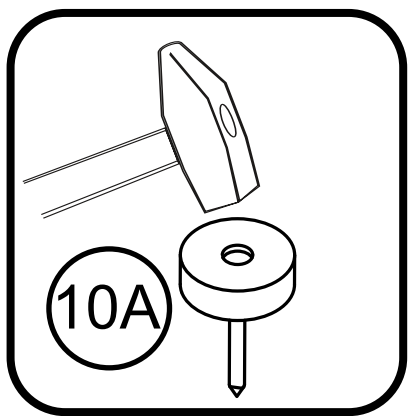
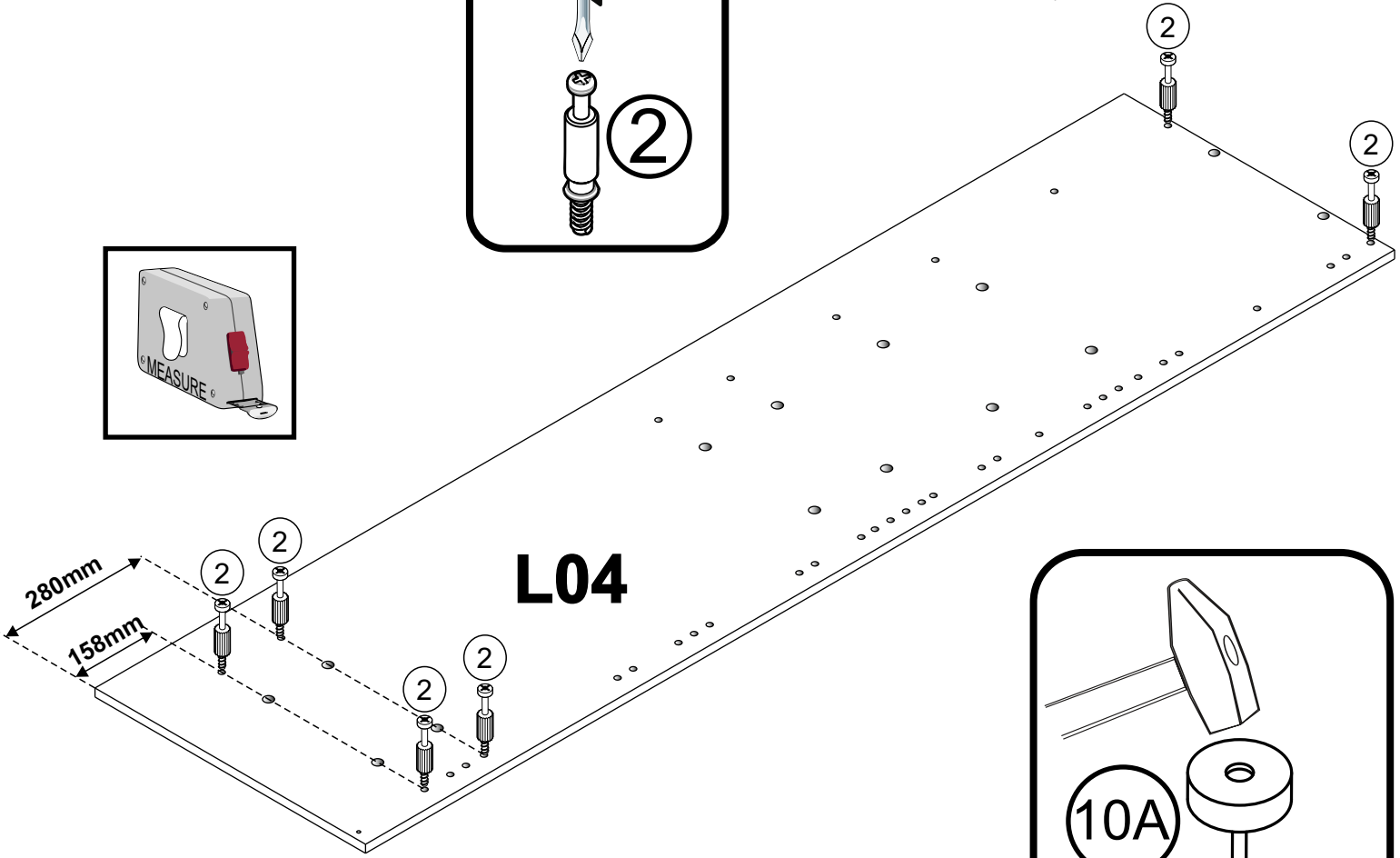
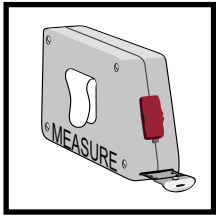
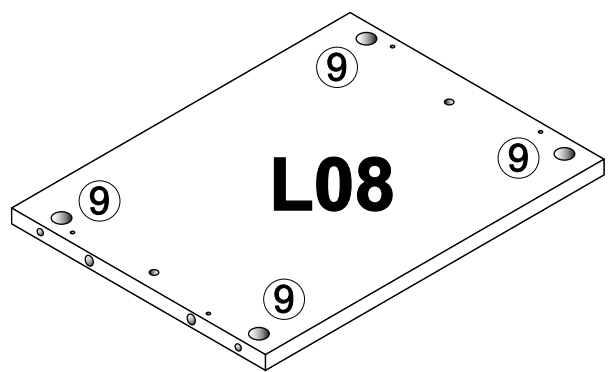
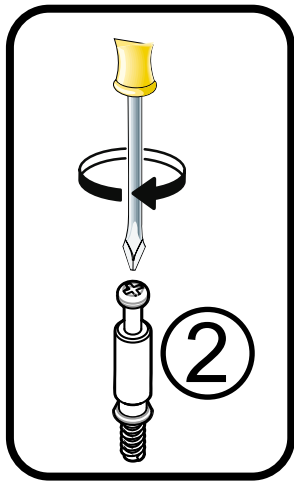
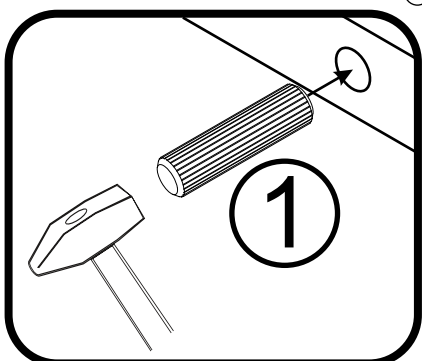
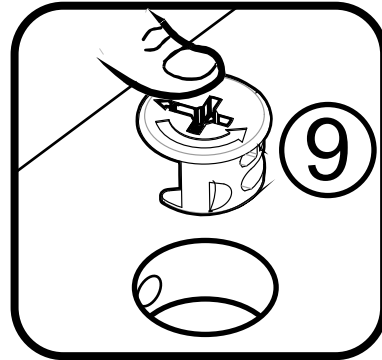
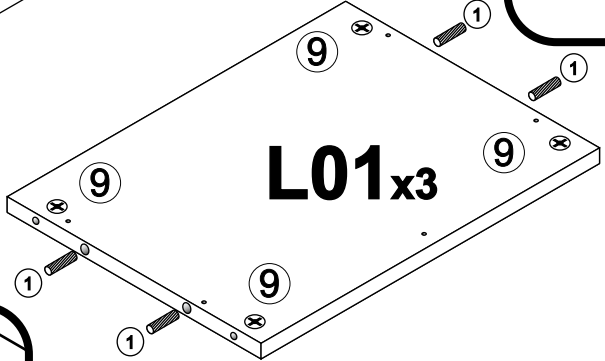
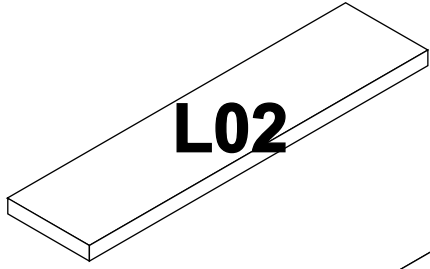
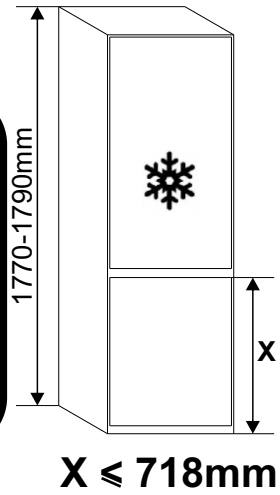
## OPTION 4



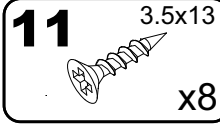
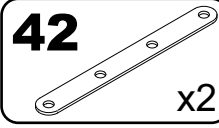
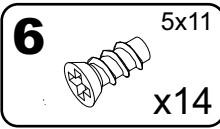
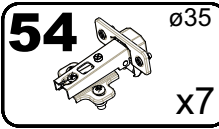
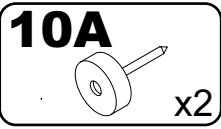
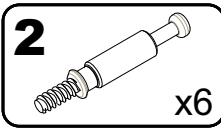
# 1



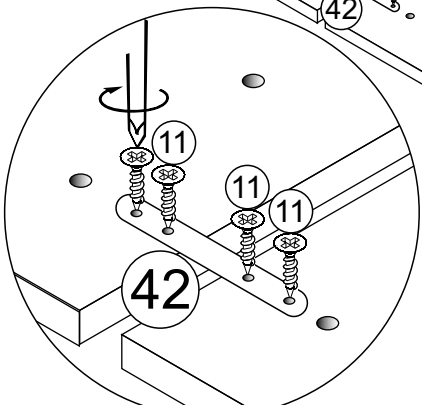
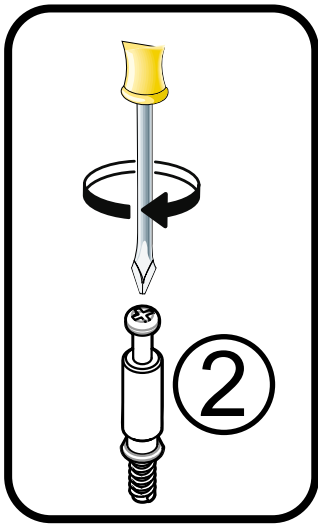
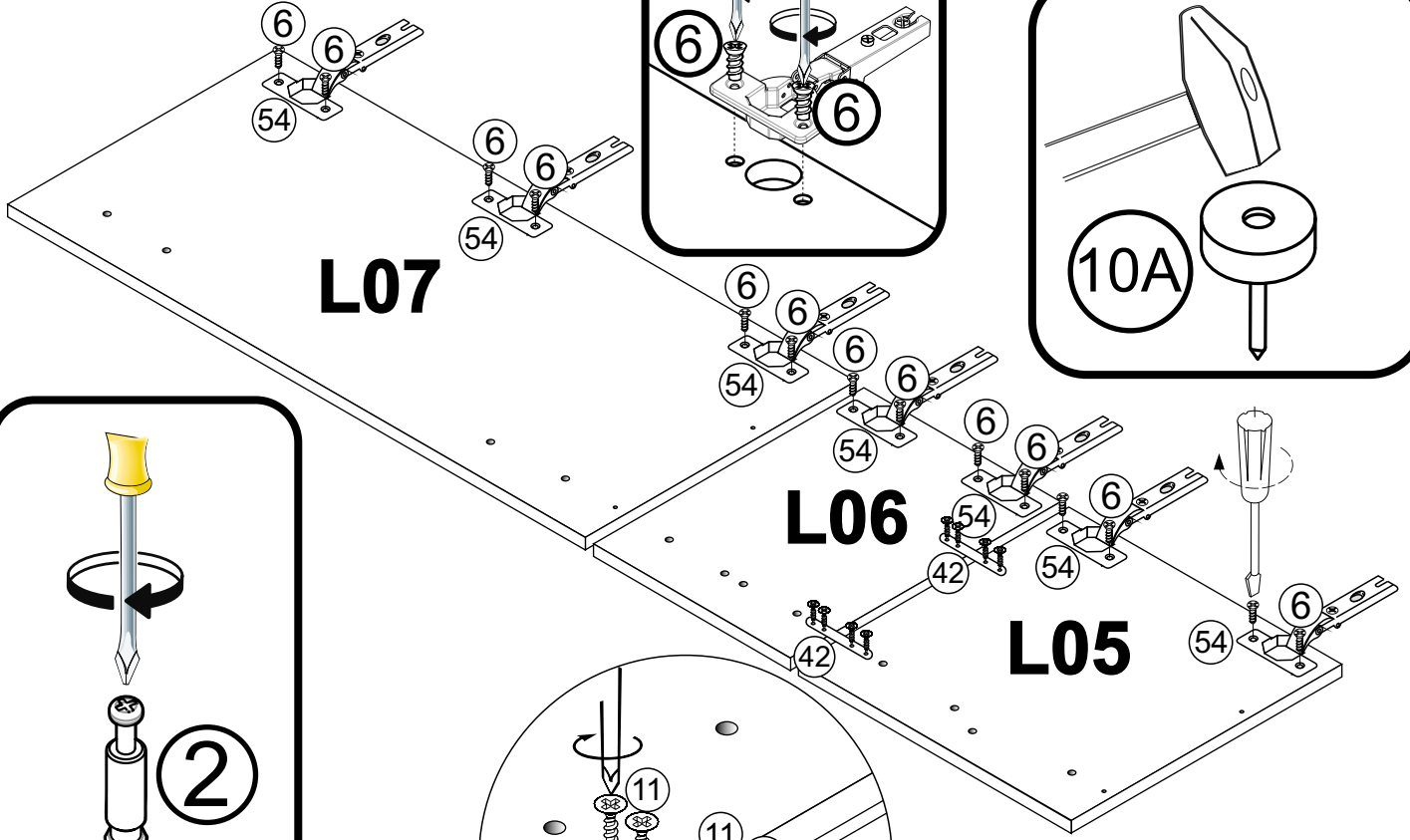
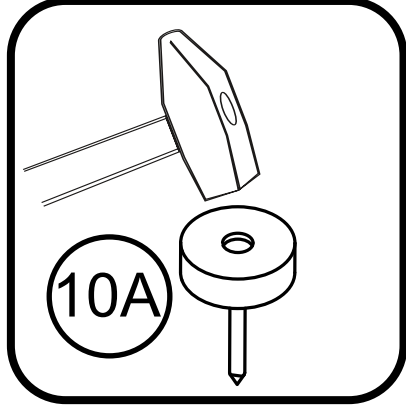
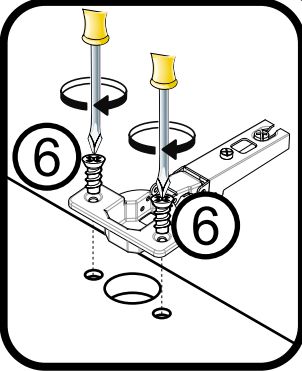
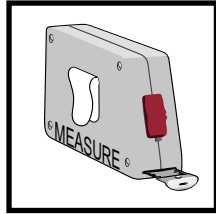
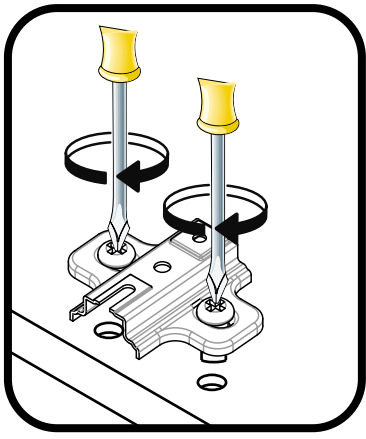
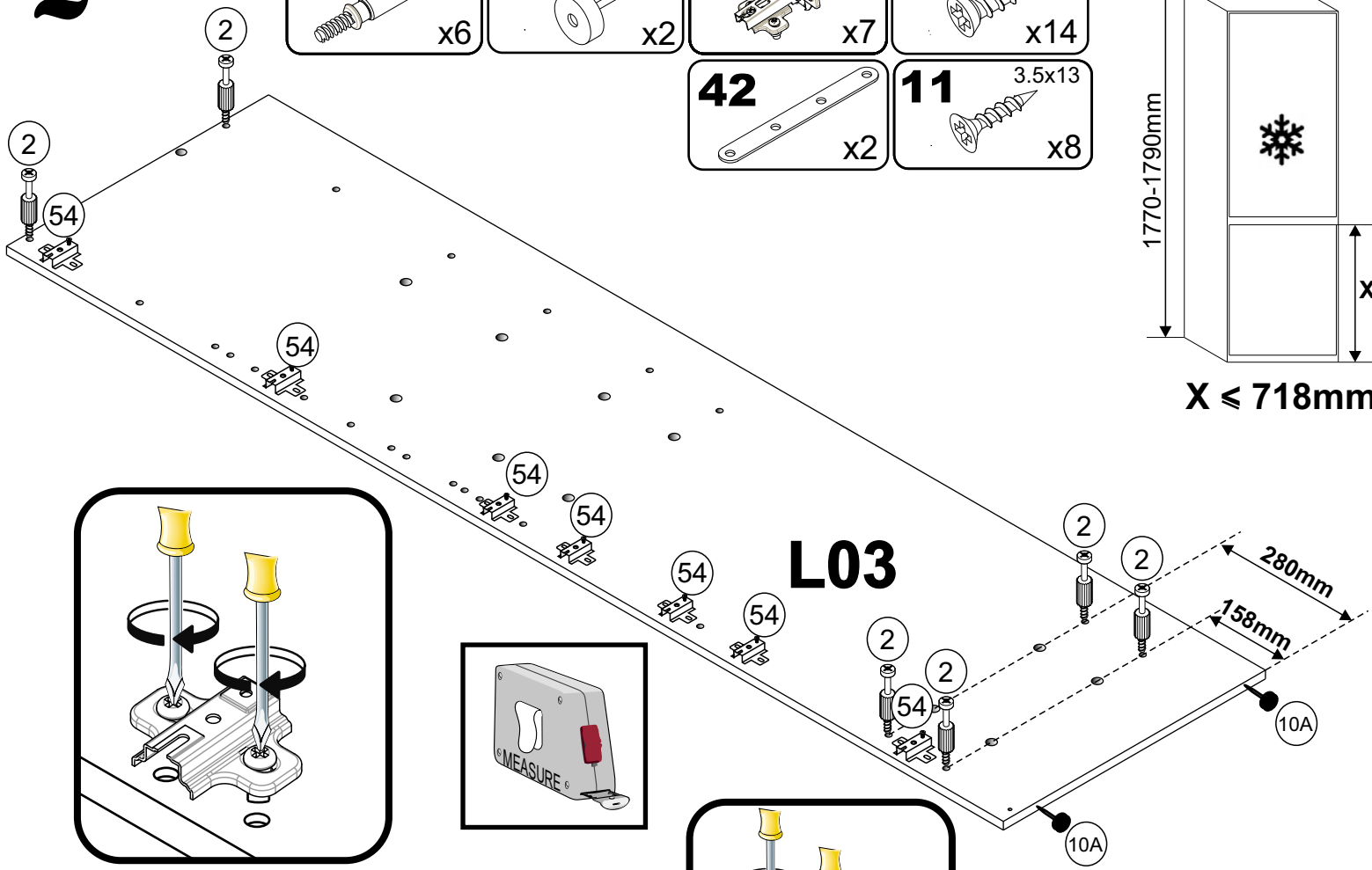
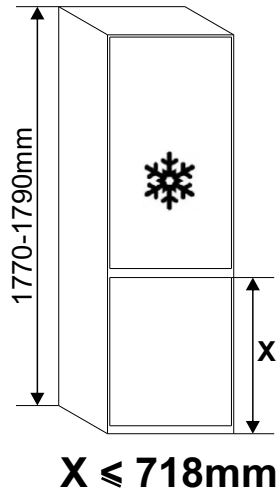
### OPTION 5



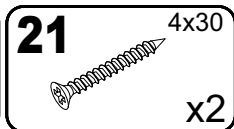
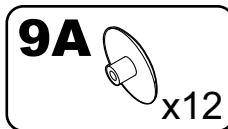
# 2



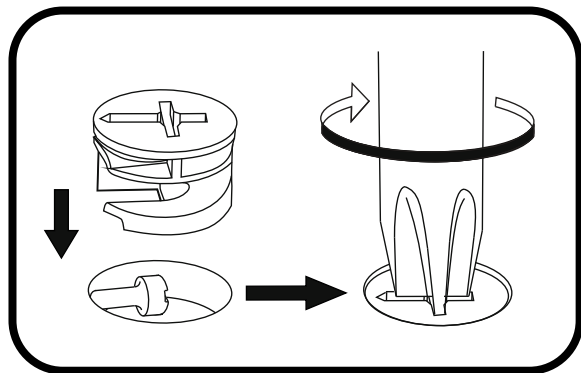
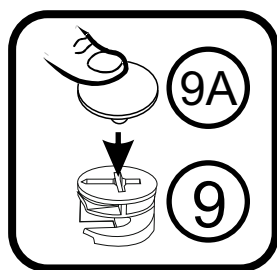
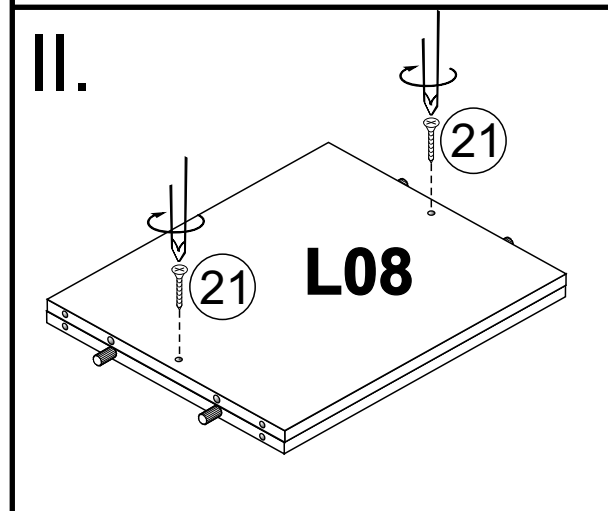
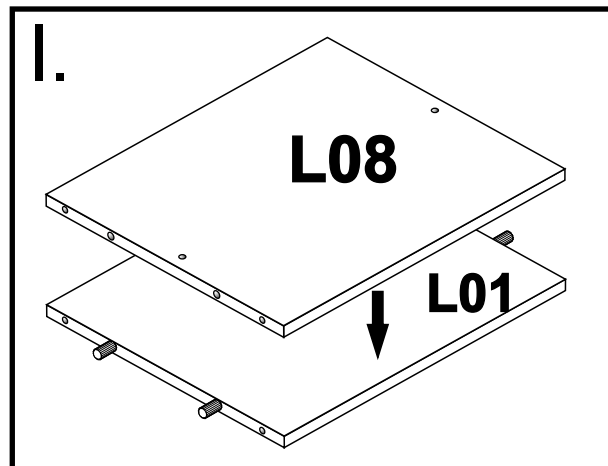
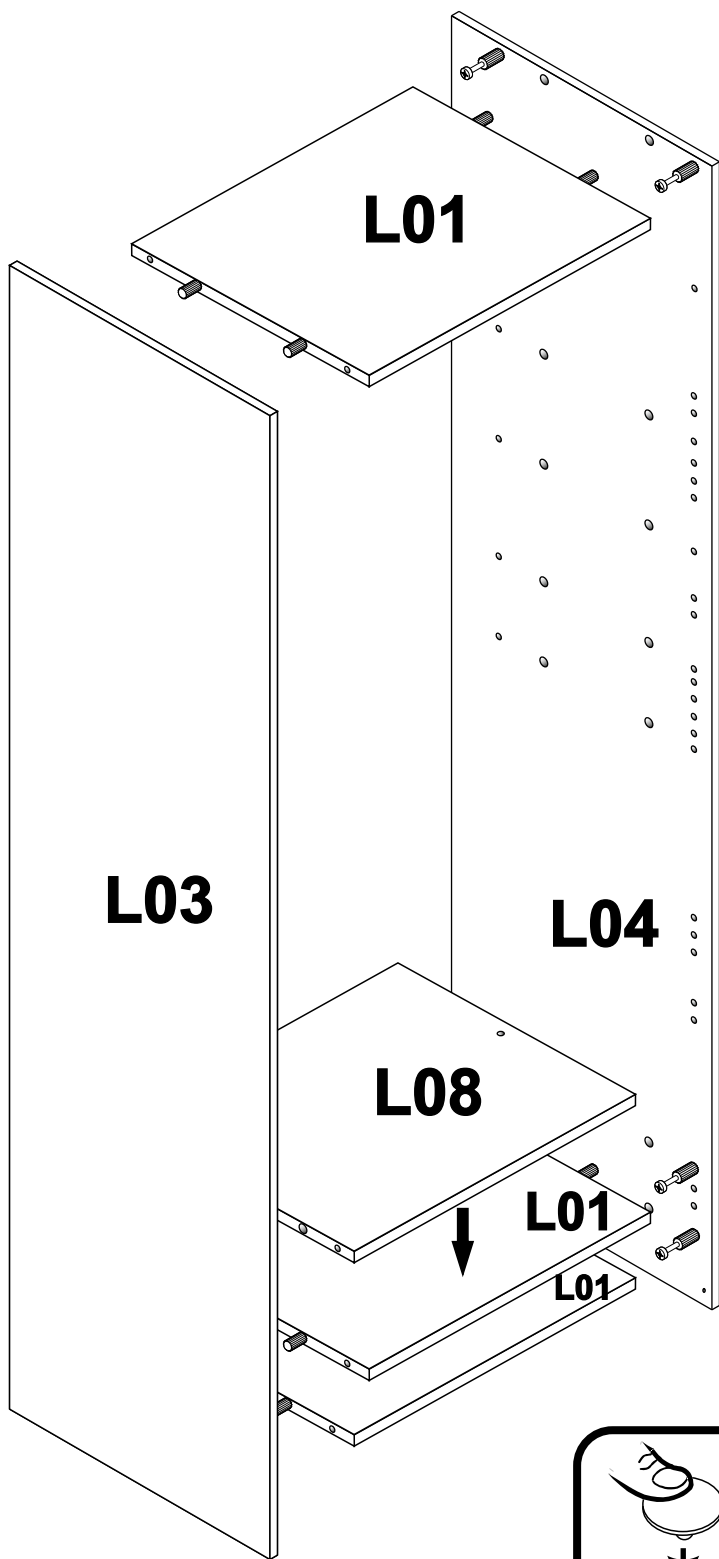
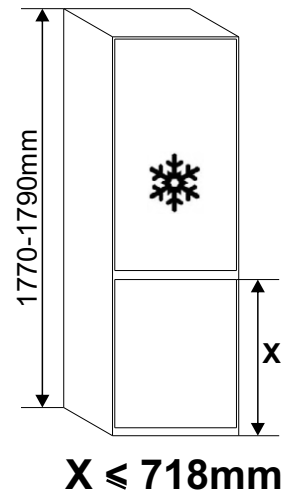
**OPTION 5**



# 3

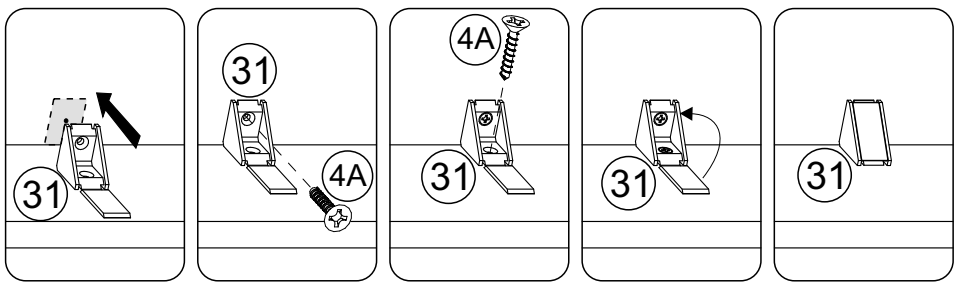
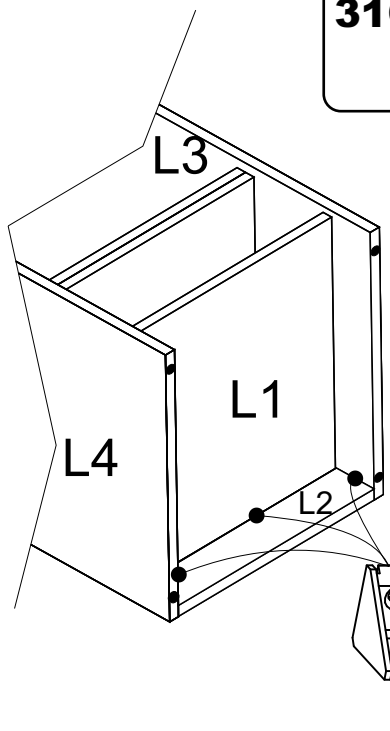
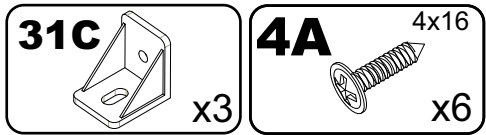


**OPTION 5**



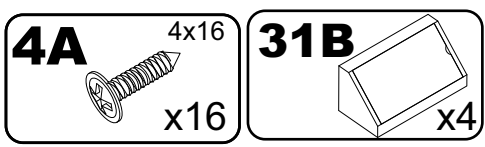


# 4

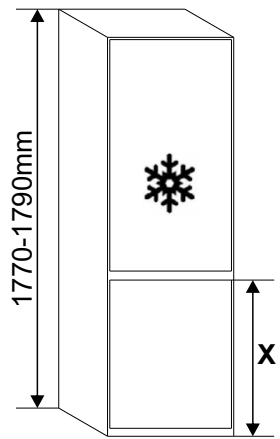


**31** x3

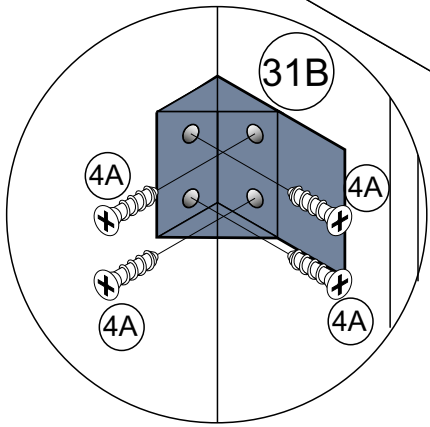
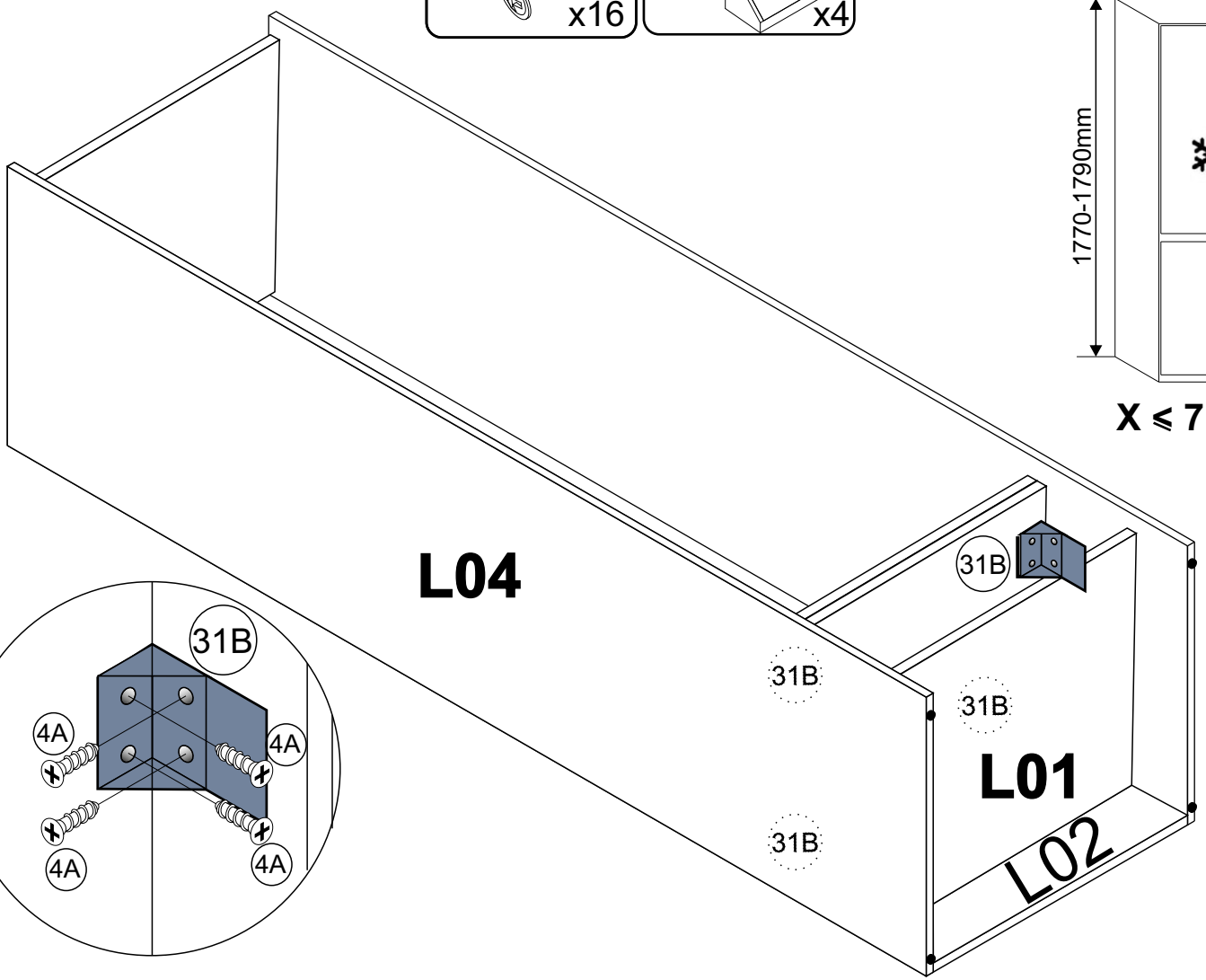
# 5



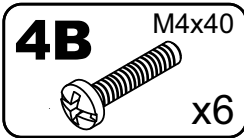
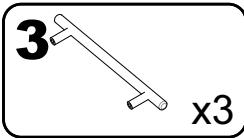
**OPTION 5**



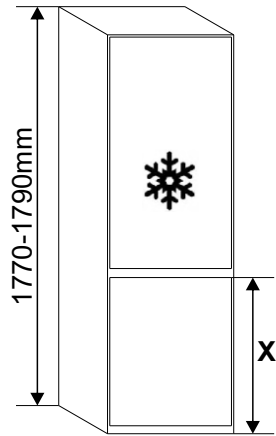
**X ≤ 718mm**



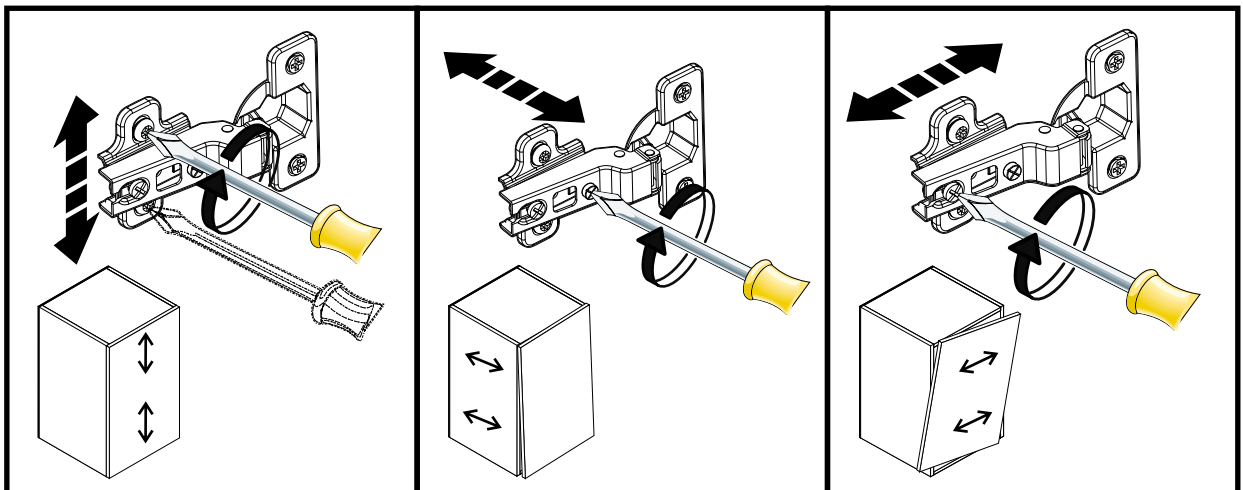
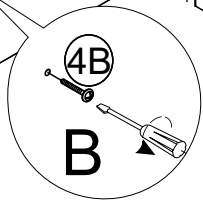
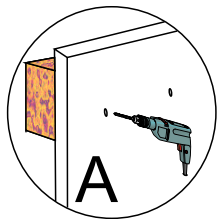
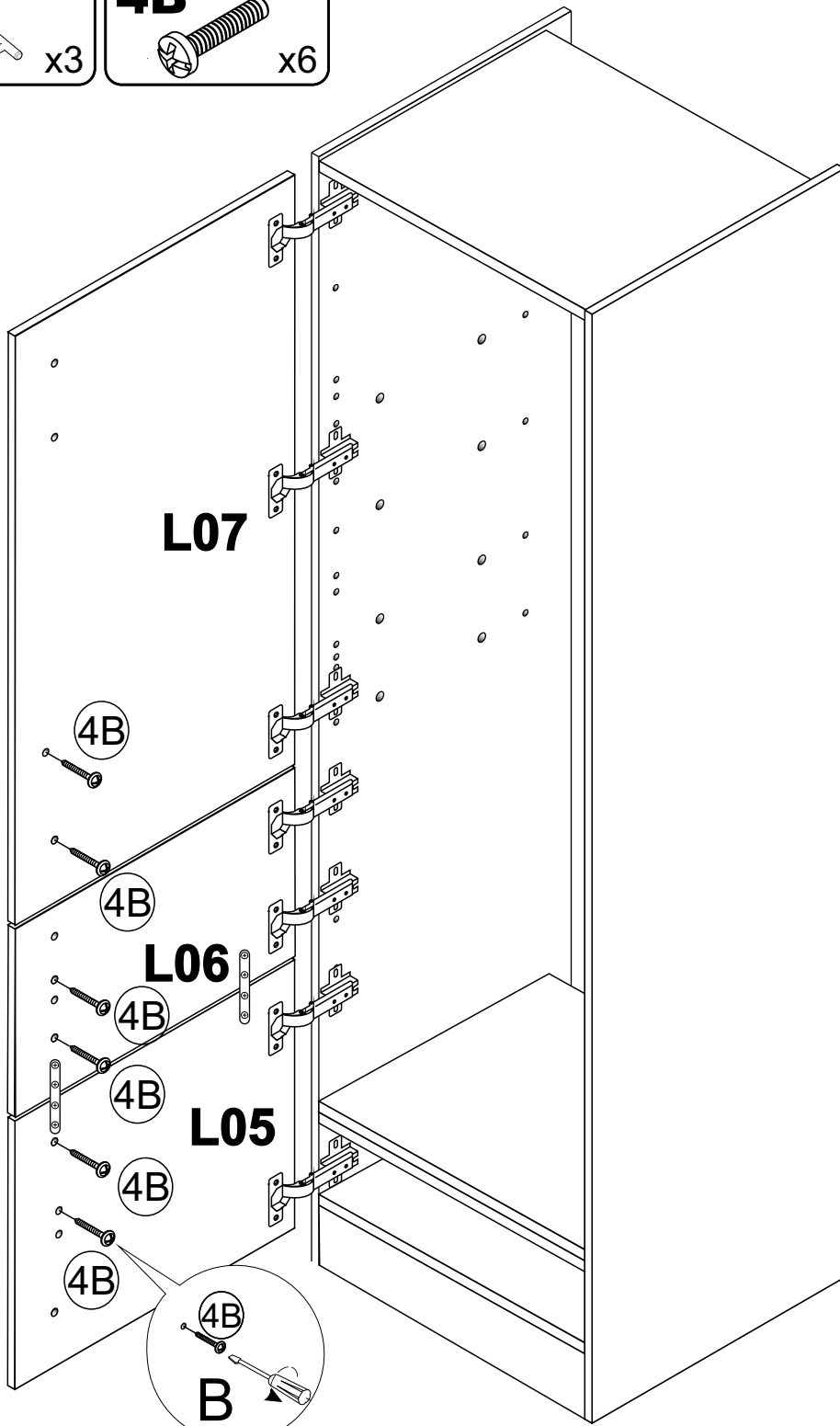
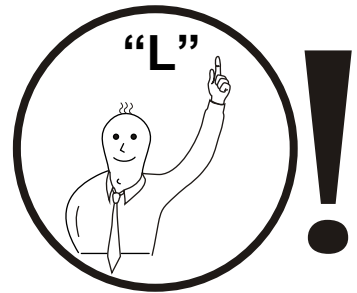
# 6



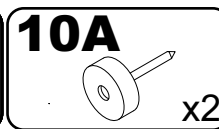
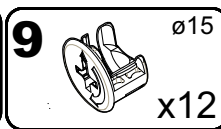
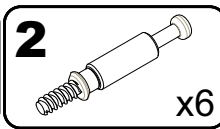
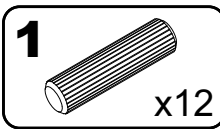
**OPTION 5**



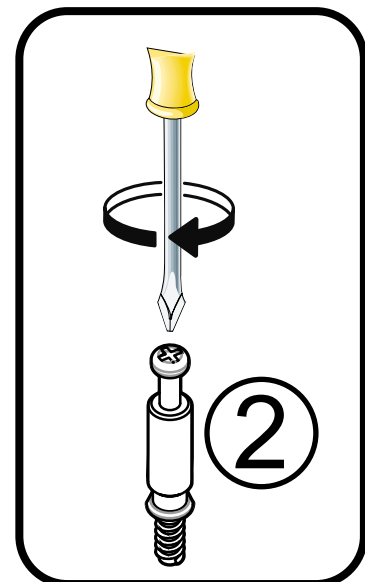
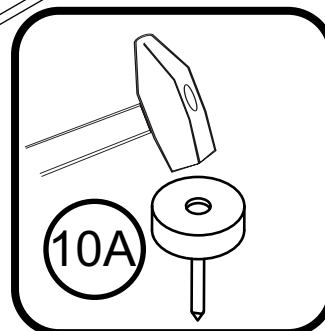
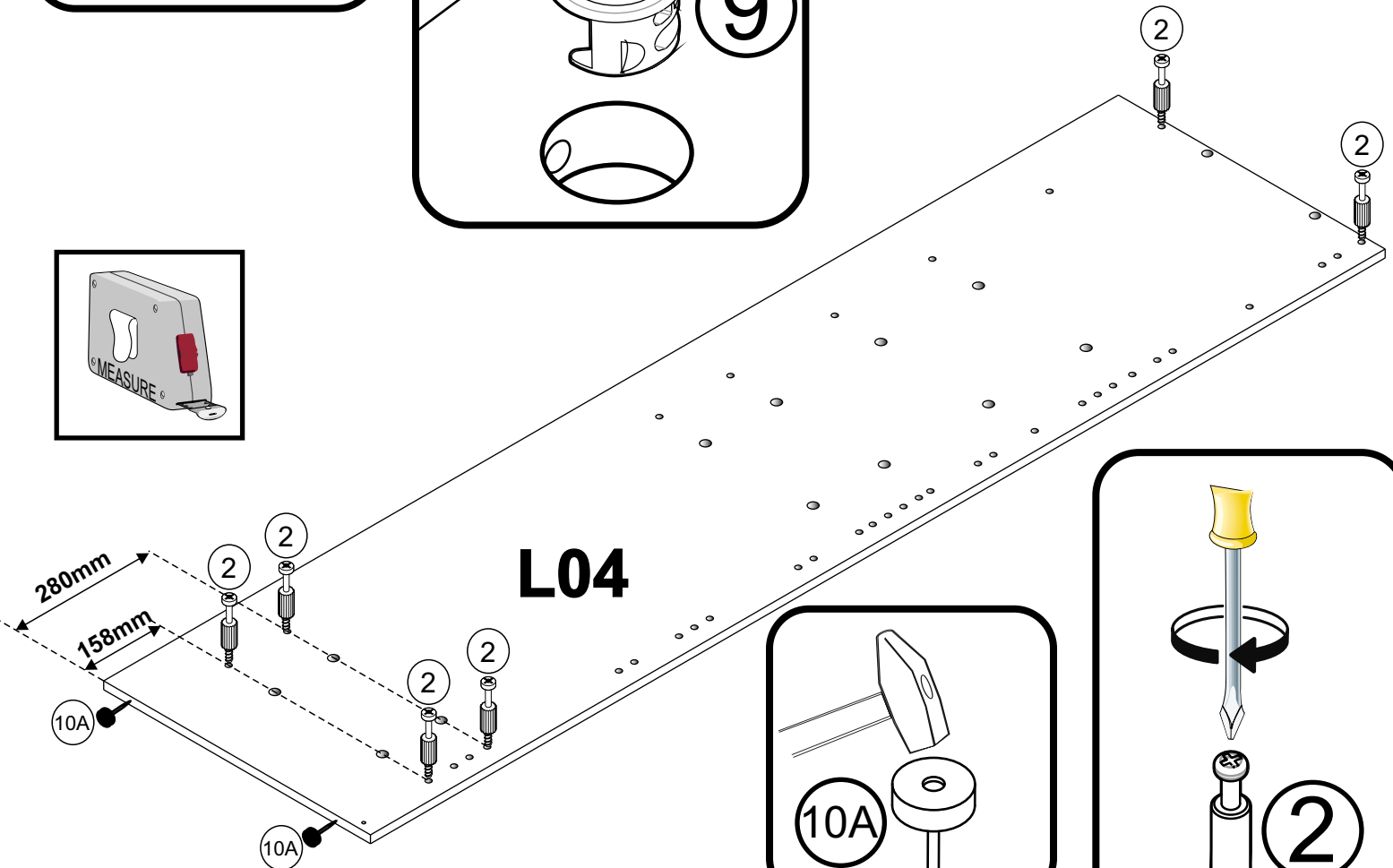
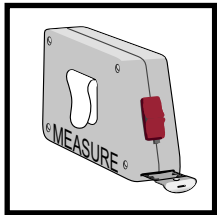
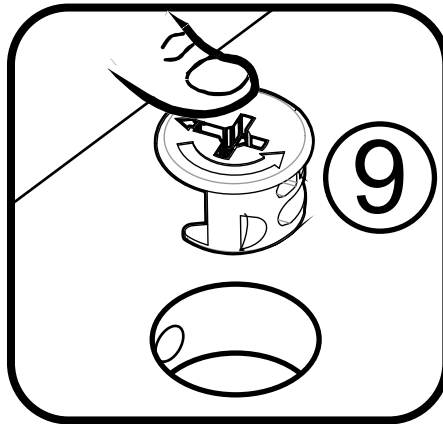
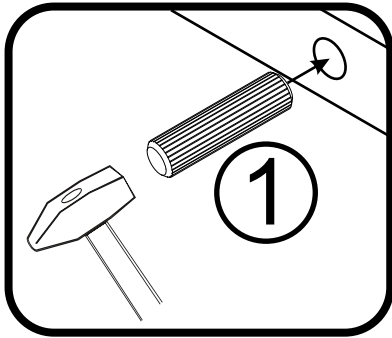
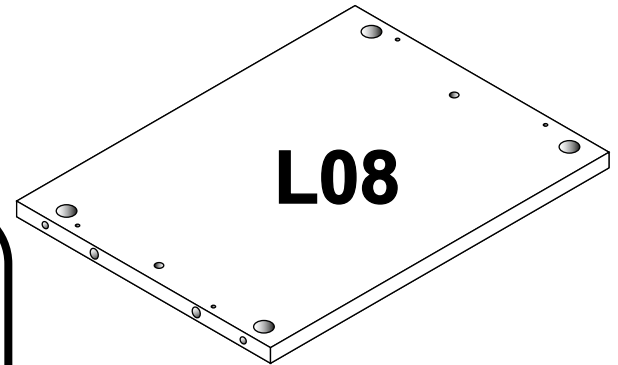
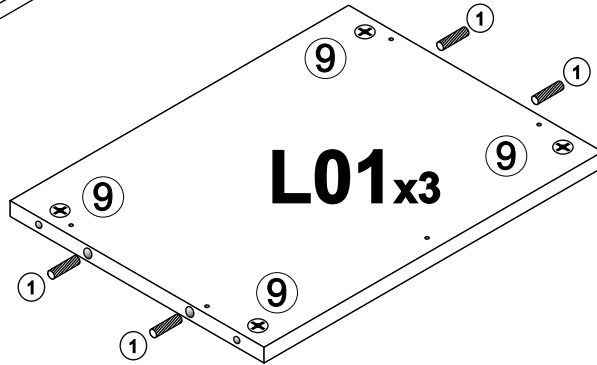
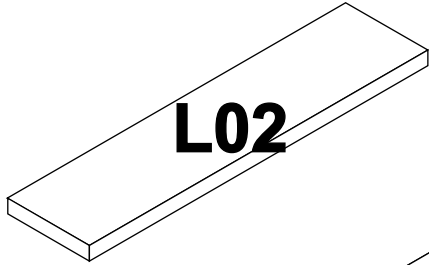
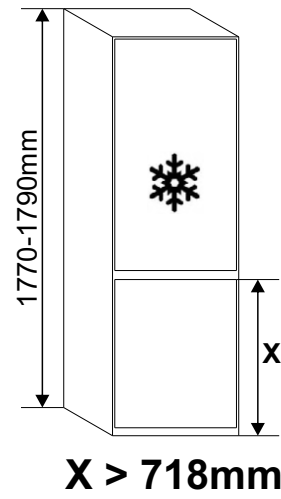
$X \leq 718\text{mm}$



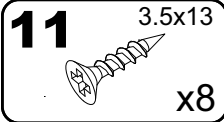
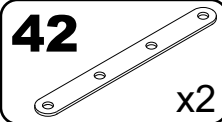
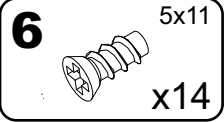
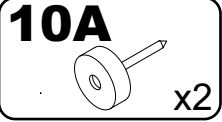
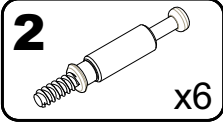
# 1



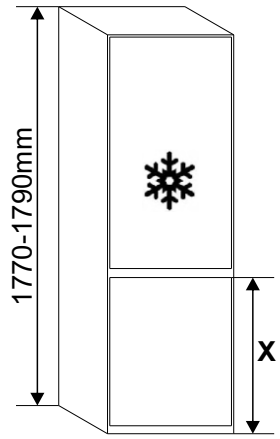
## OPTION 6



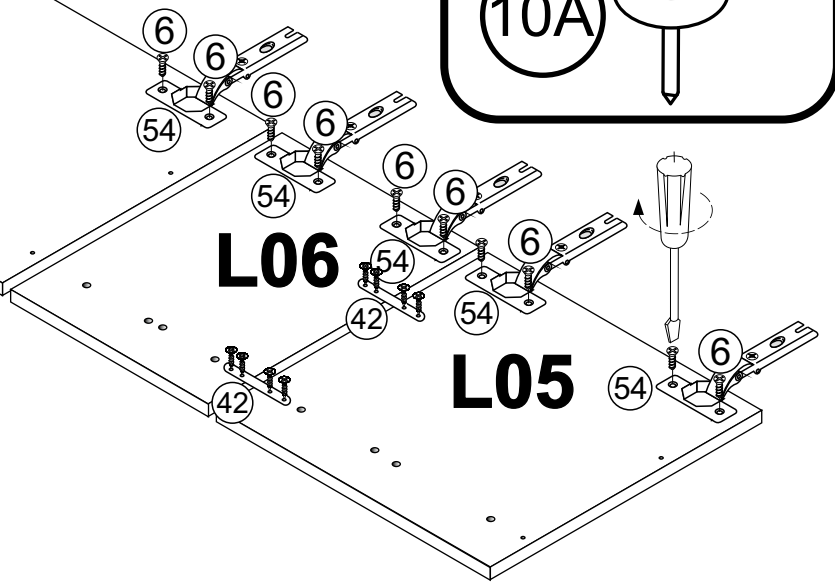
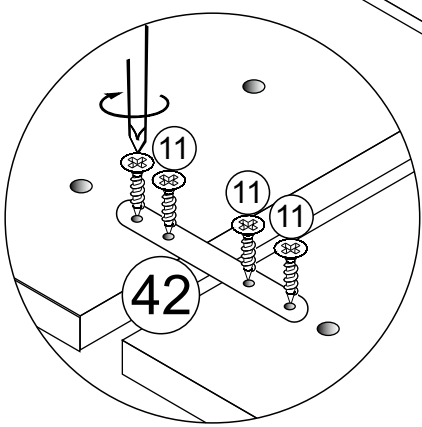
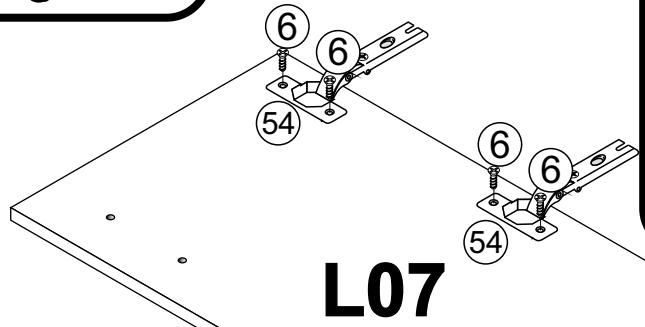
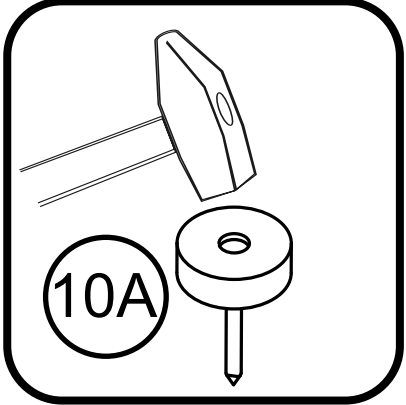
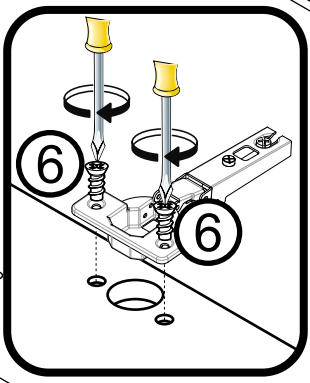
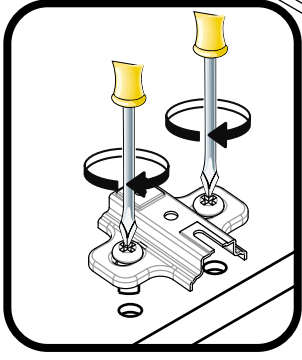
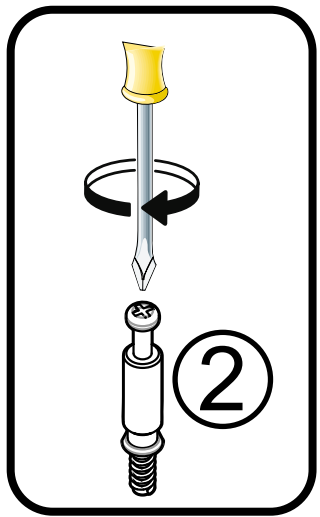
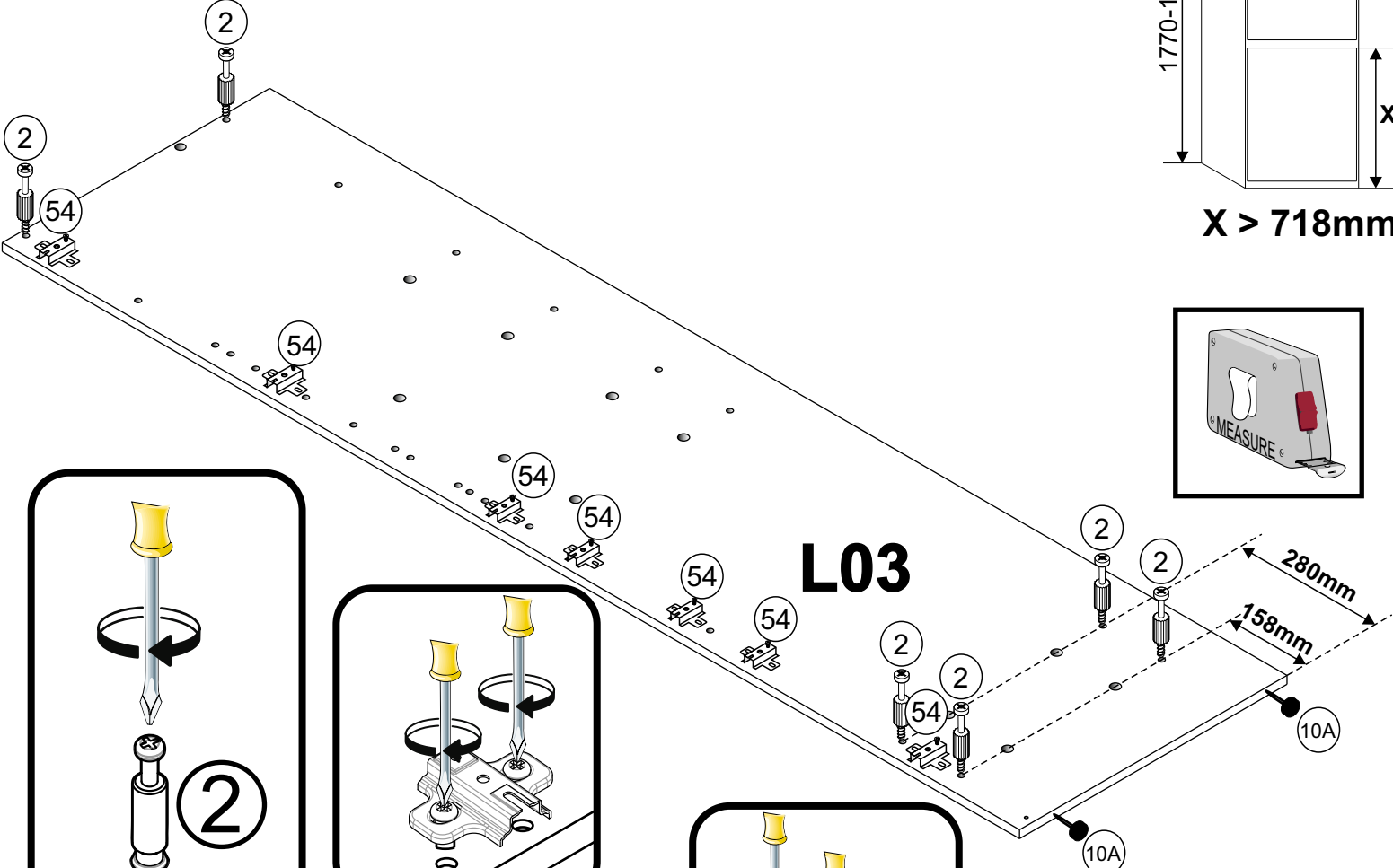
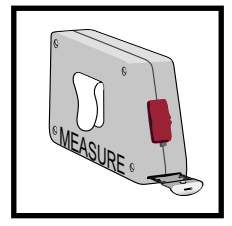
**2**



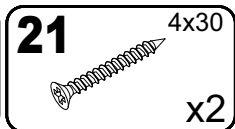
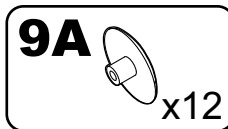
**OPTION 6**



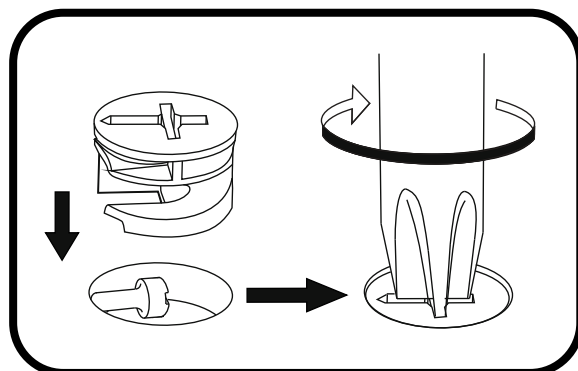
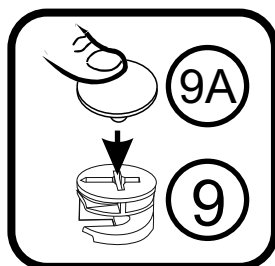
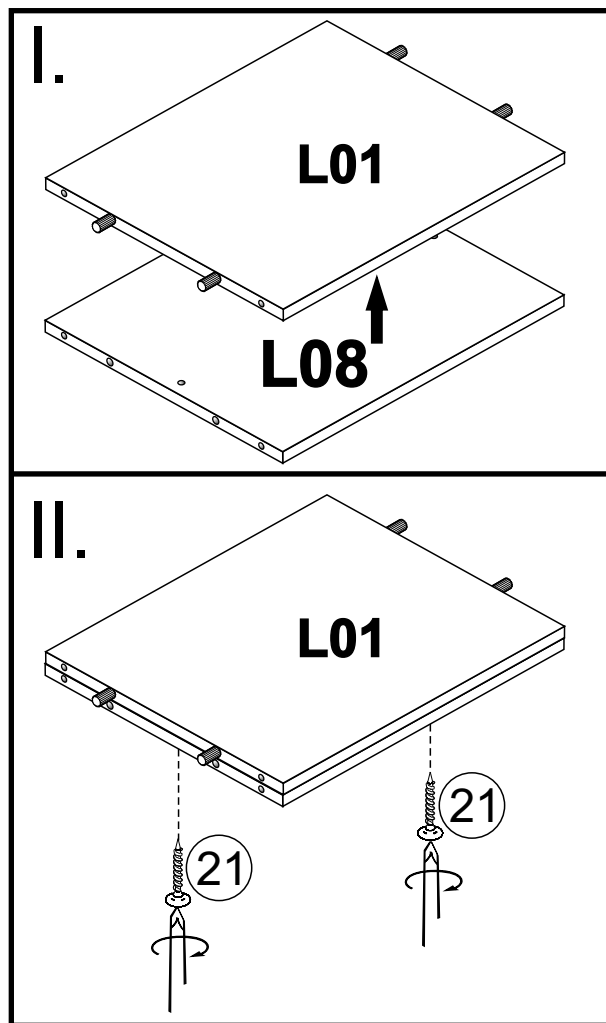
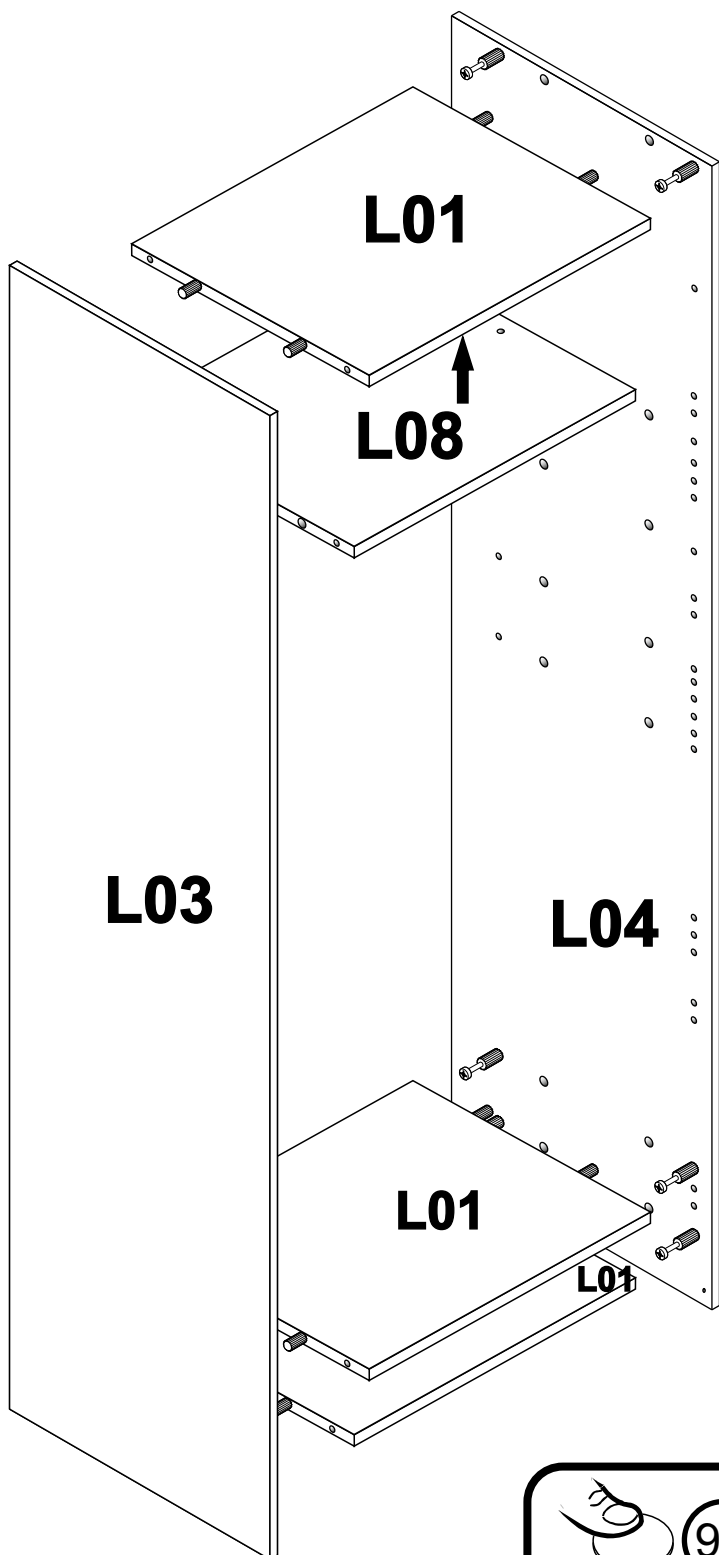
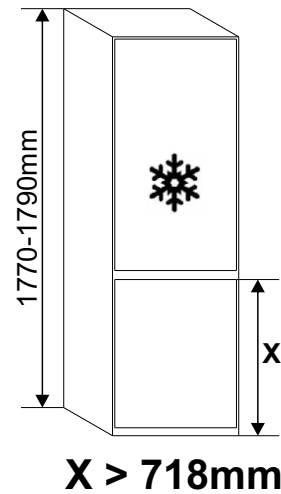
**X > 718mm**



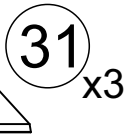
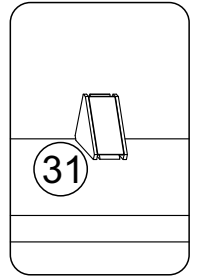
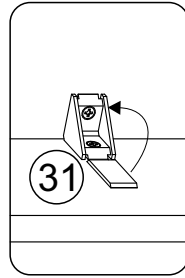
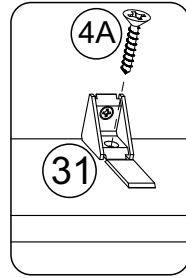
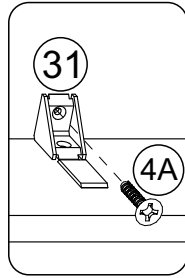
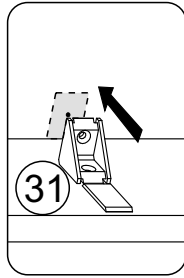
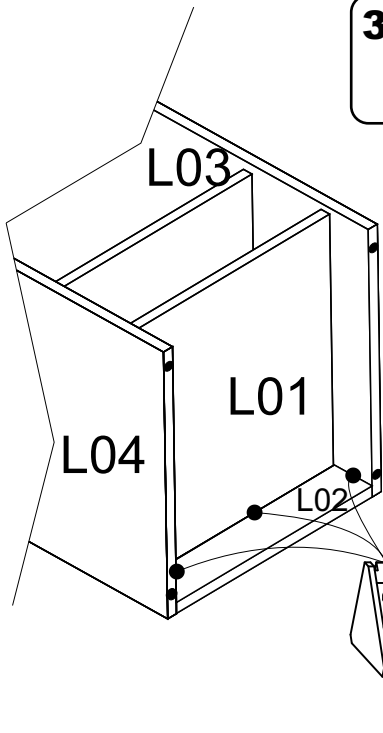
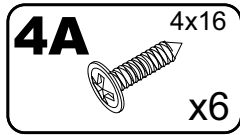
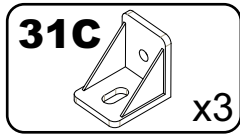
# 3



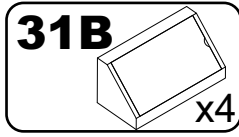
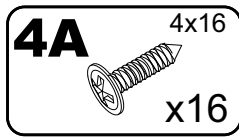
### OPTION 6



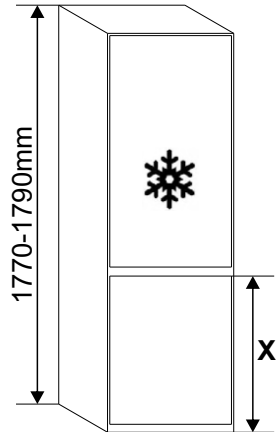
# 4



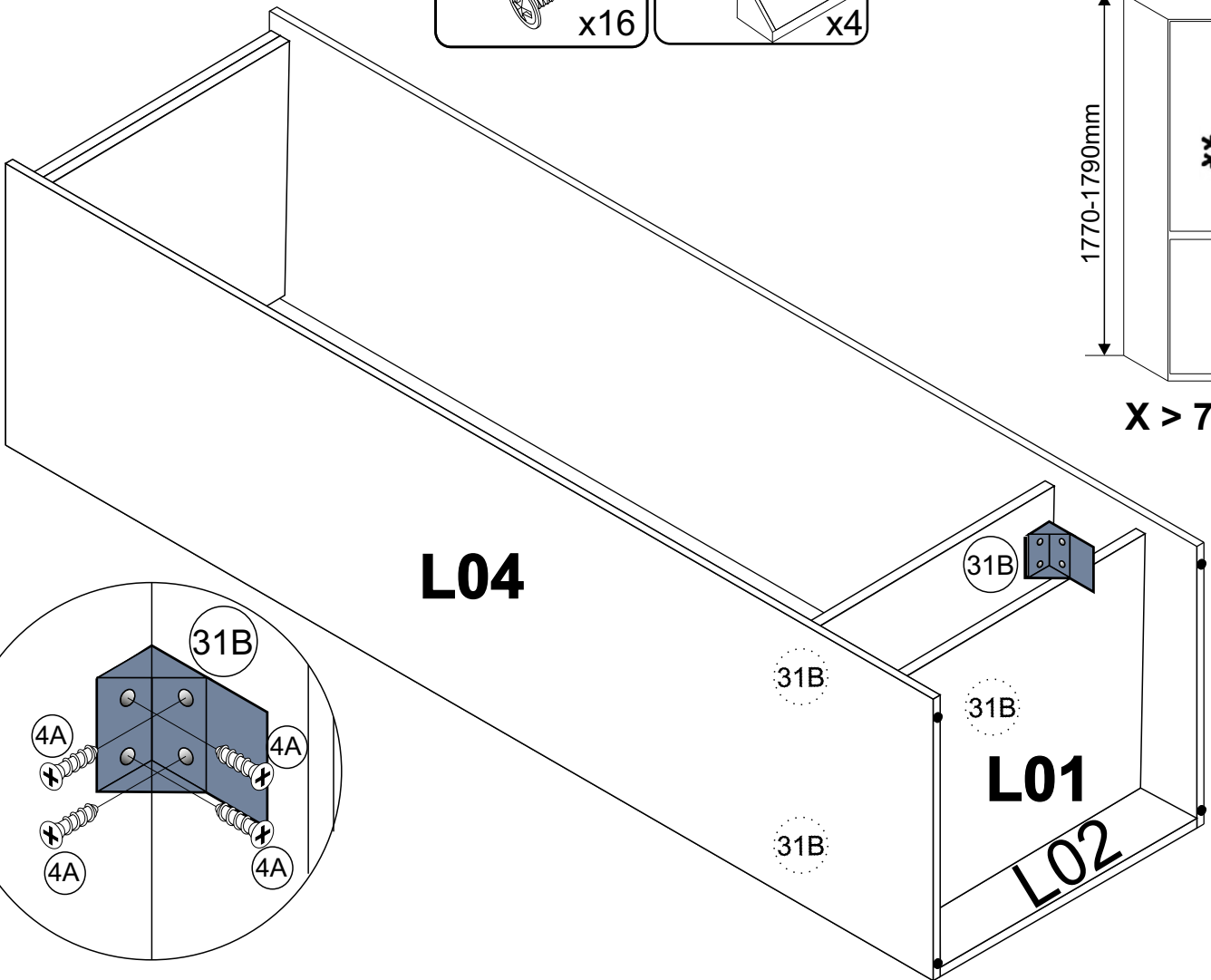
# 5



**OPTION 6**



**X > 718mm**



**L04**

31B

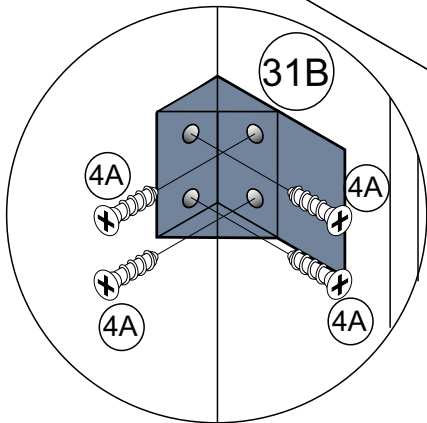
31B

31B

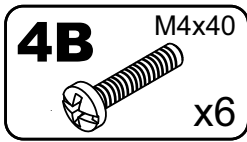
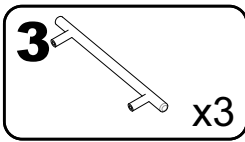
**L01**

31B

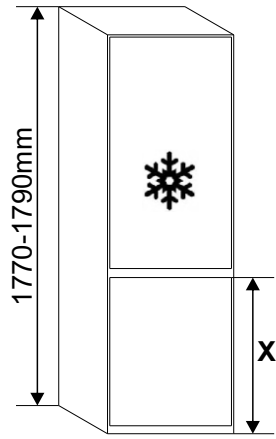
**L02**



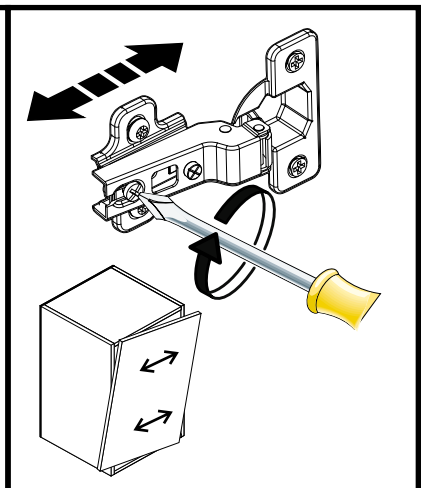
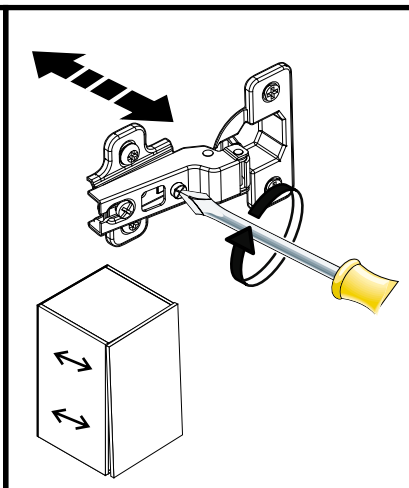
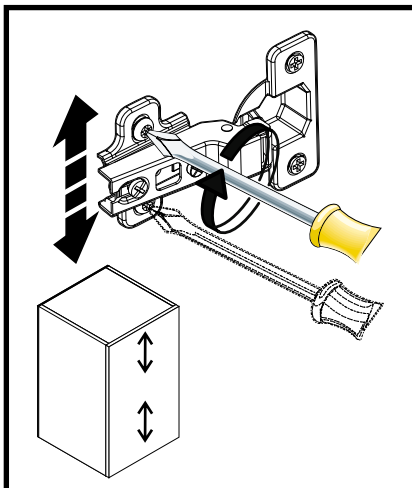
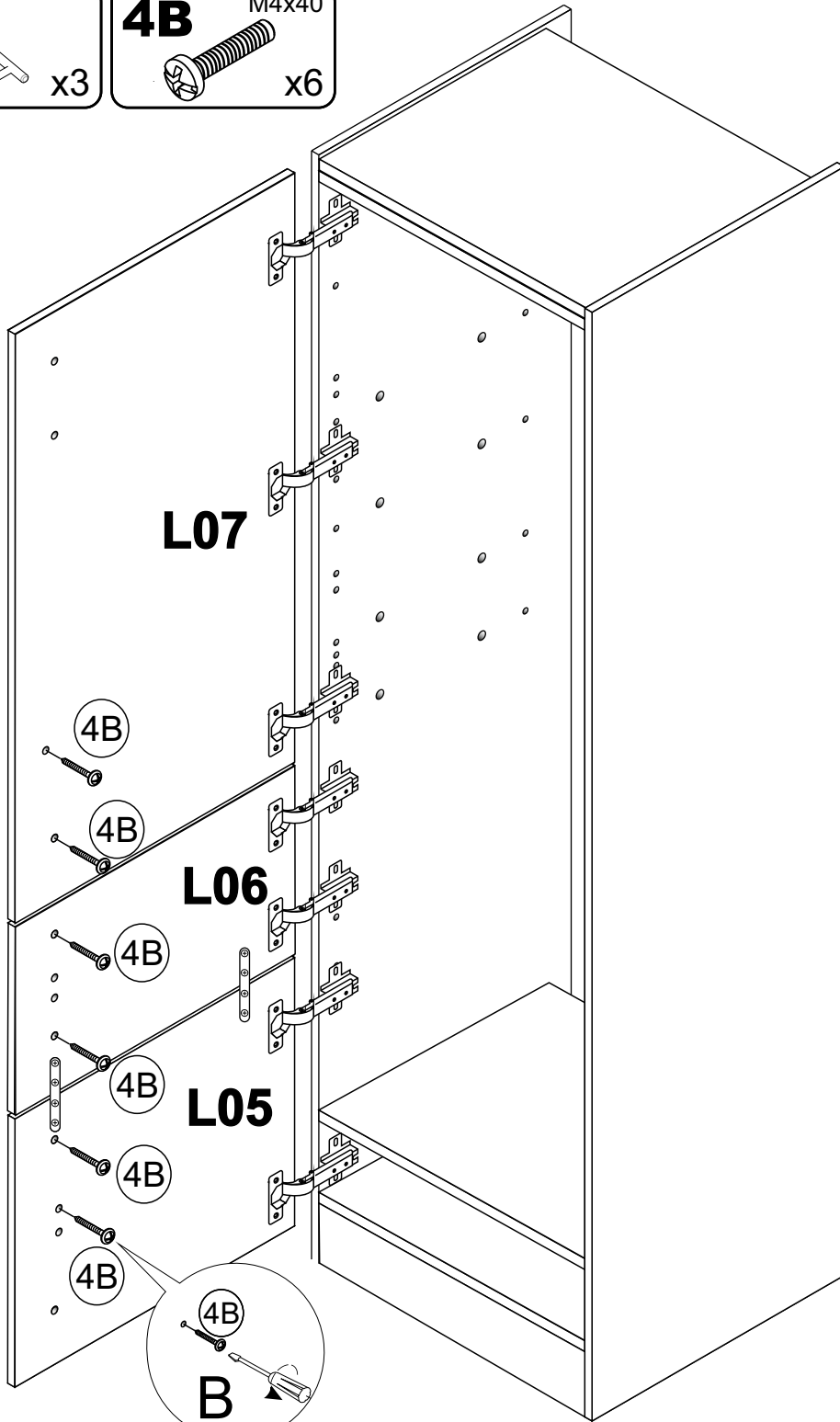
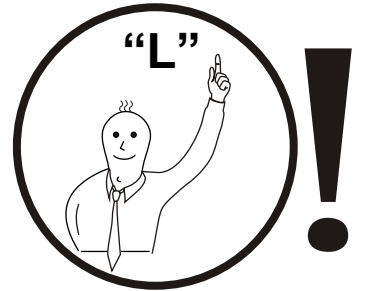
# 6



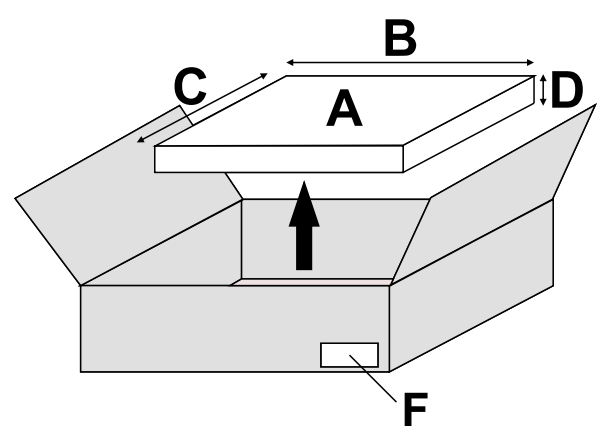
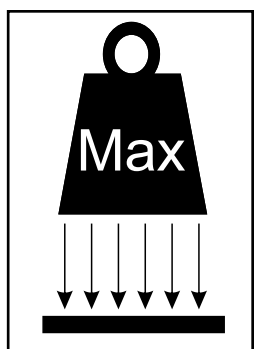
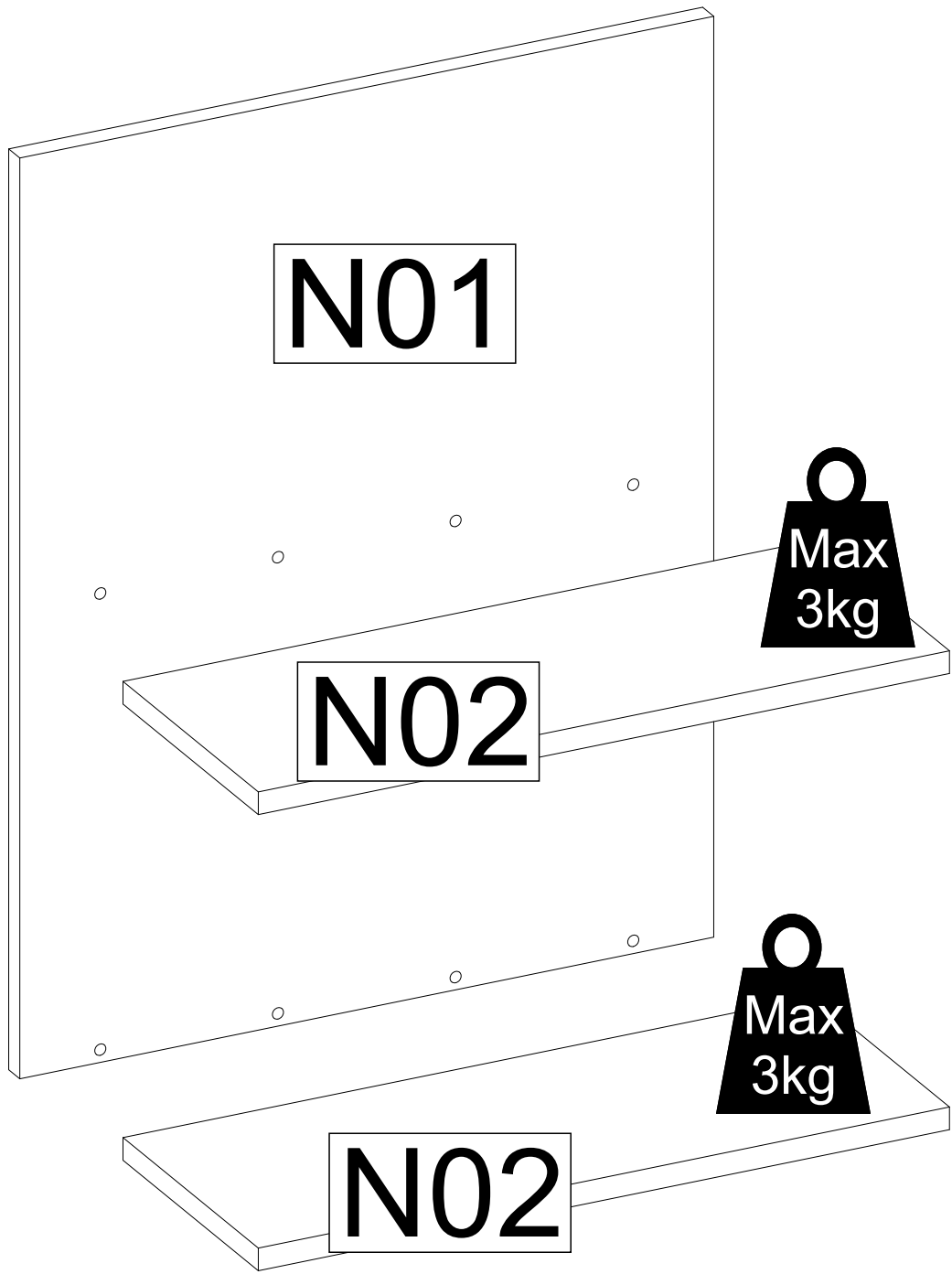
### OPTION 6



X > 718mm



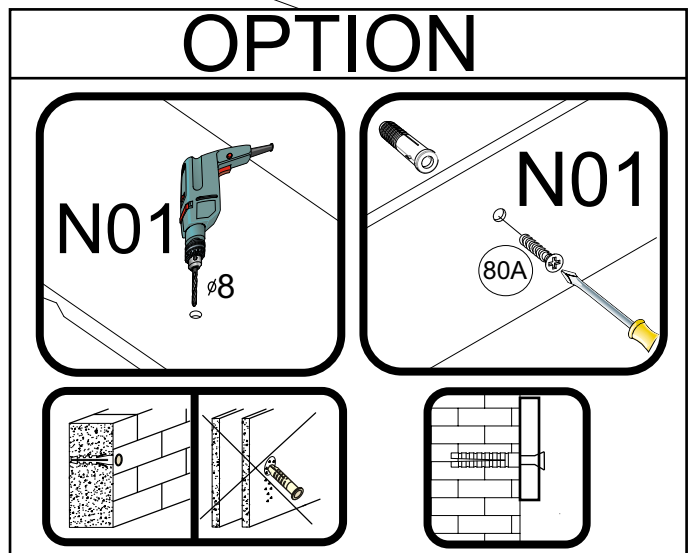
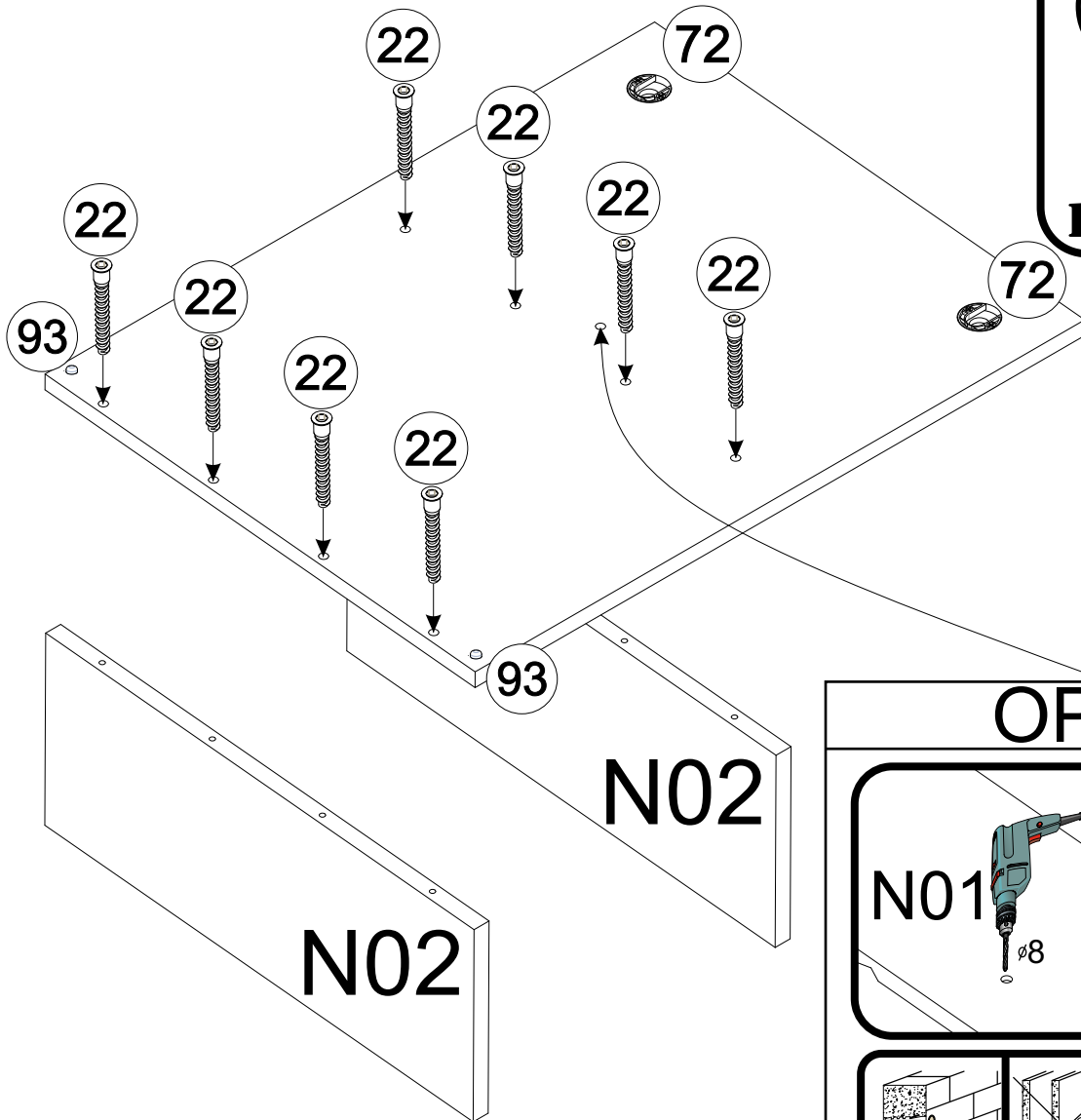
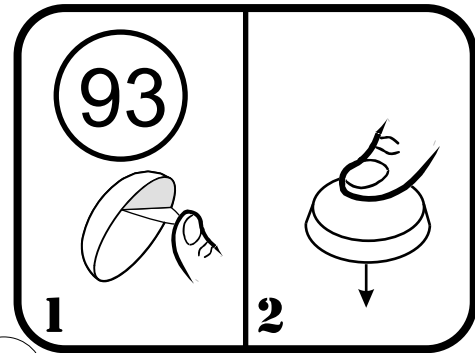
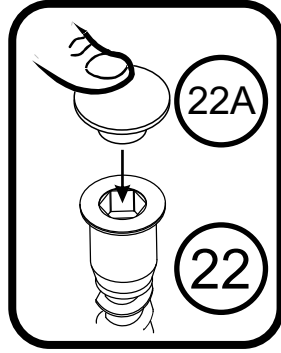
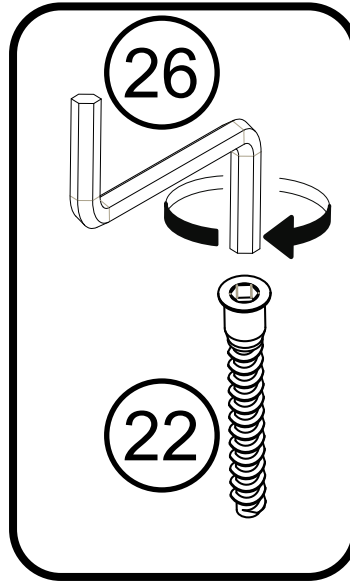
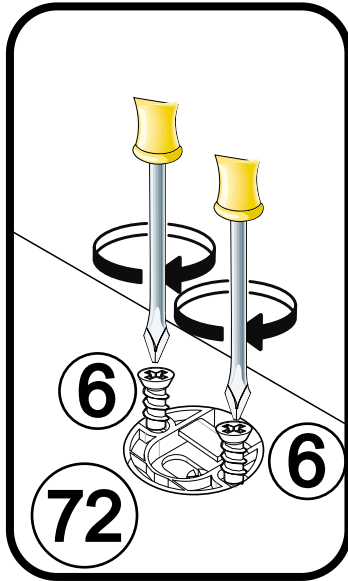
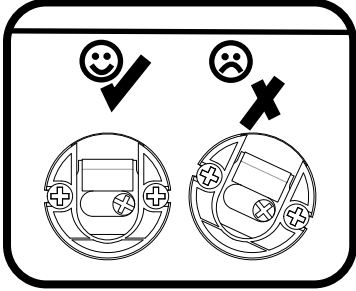
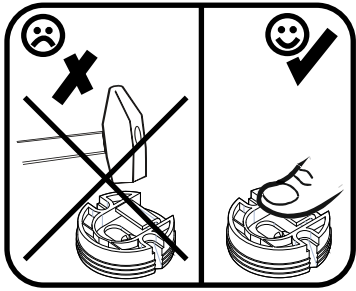
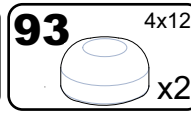
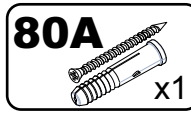
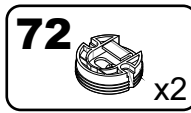
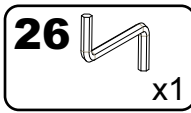
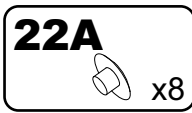
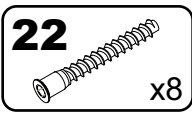
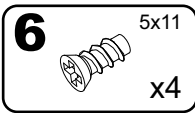
**N**

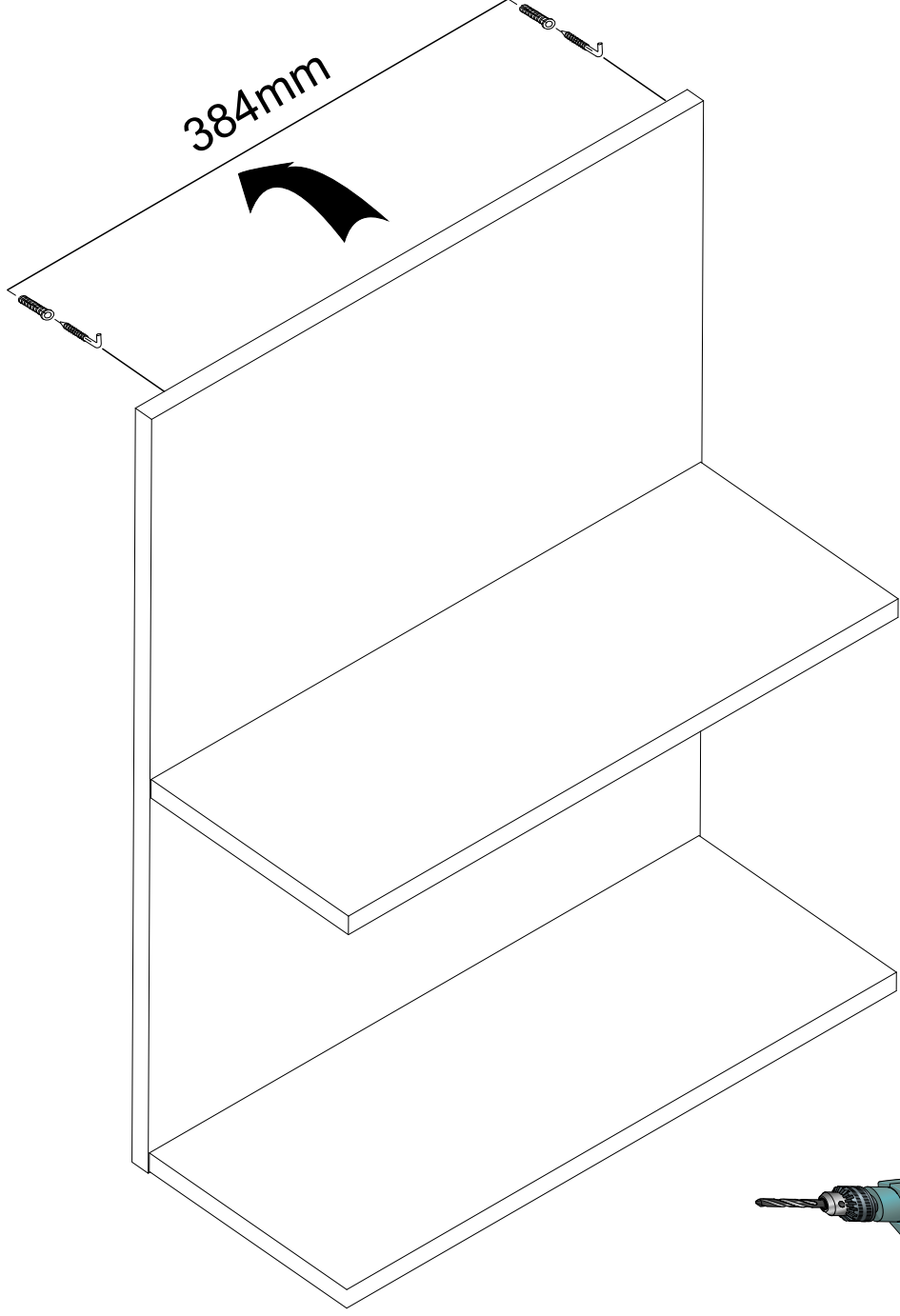


A	B (mm)	C (mm)	D (mm)	E	F
N02	498	195	16	2	3 10
NO1	650	500	16	1	3 10



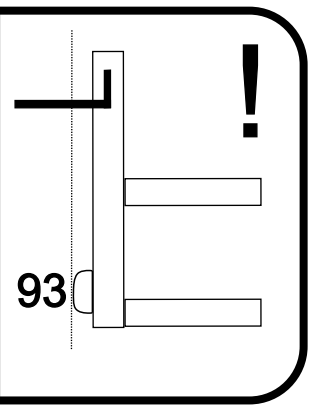
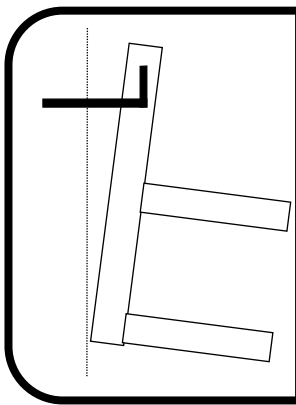
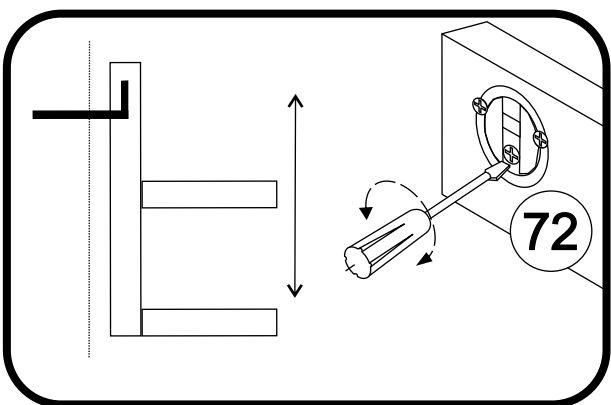
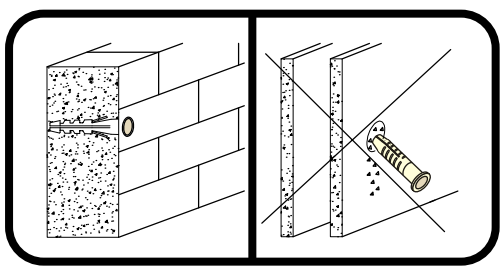
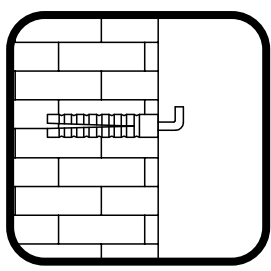
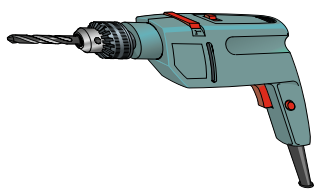
# I





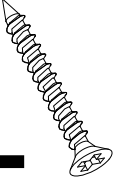
**80**

x2



21

4x30



x10

