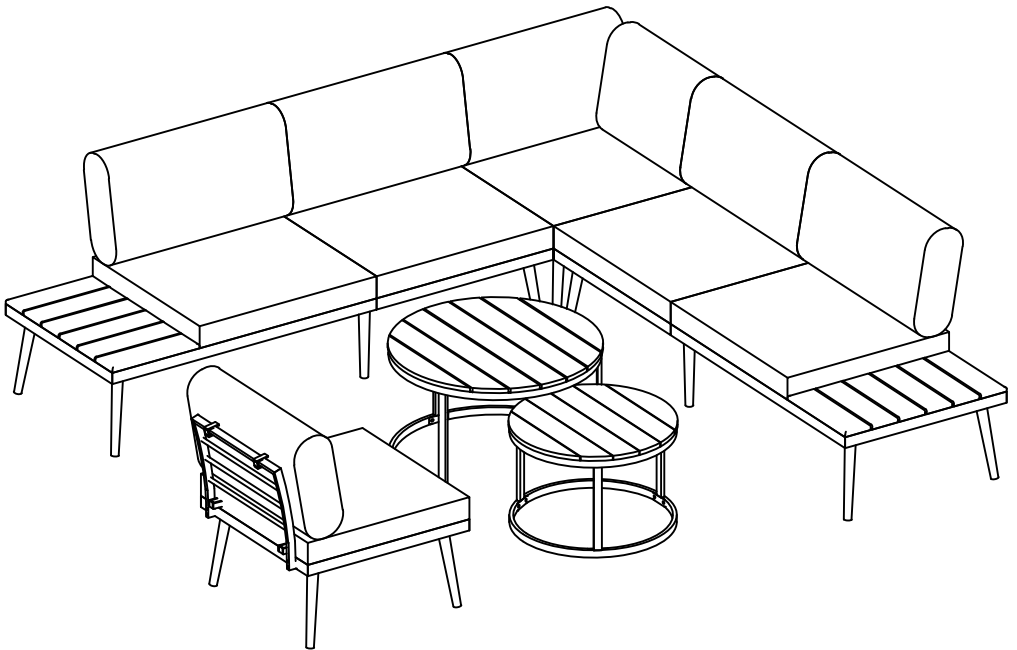


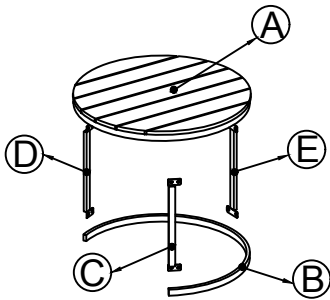
INSTALLATIONSANWEISUNG

CORNER SOFA SET

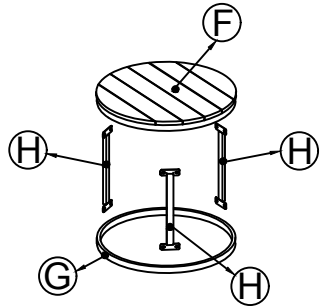


WF299486AAE, WF299487AAE, WF299488AAE

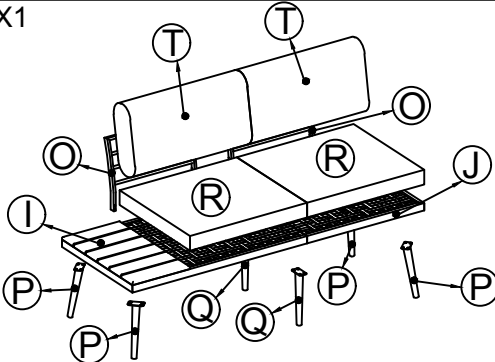
X1



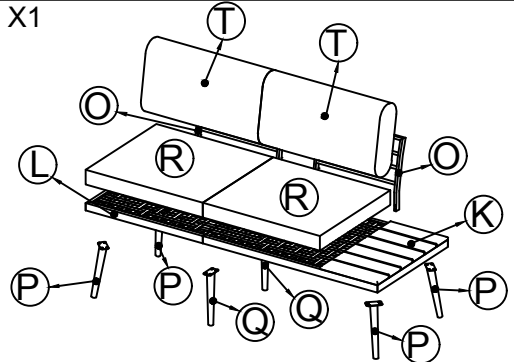
X1



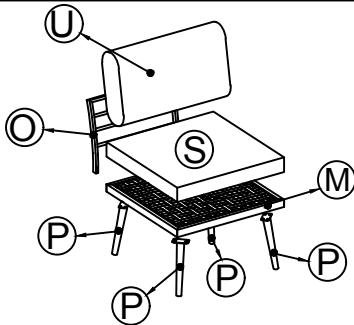
X1



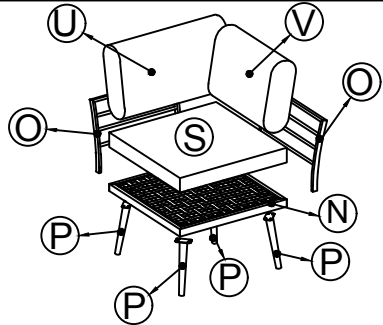
X1



X1



X1

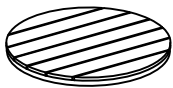


Notiz:

1. Vor dem Befestigen aller Schrauben zu 50% anziehen, Inbusschlüssel ist anstelle einer elektrischen Bohrmaschine empfohlen.
2. Legen Sie den Artikel auf einen ebenen Boden, um ihn anzupassen und zumachen sicher bleibt es stabil.
3. Ziehen Sie alle Schrauben mit Werkzeug nach und nach fest.
4. Wenn die Schrauben während der Montage, bitte alle anderen Schrauben lösen um 50% und setzen Sie den Montageprozess fort.
5. Wenn der Artikel nicht stabil ist, lösen Sie bitte alle Schrauben. auf ebenem Untergrund ausrichten und alle Schrauben festziehen wieder.
6. Hinweis: Wenn eine oder mehrere Schrauben während des Montage, es besteht die Möglichkeit, dass die anderen nicht ausgerichtet sind mit Löchern. Darüber hinaus sind alle Löcher dafür ausgelegt, zu sein relativ größer, um mehr Platz für die Einstellung der Schrauben.

CARTON CONTENT:

WF299486AAE



Ⓐx1



Ⓑx1



Ⓒx1



Ⓓx1



Ⓔx1



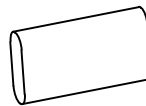
Ⓕx1



Ⓖx1



Ⓕx3

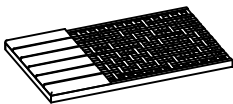


Ⓙx4

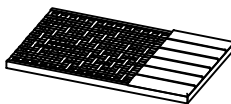


Hardware

WF299487AAE



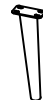
Ⓘx1



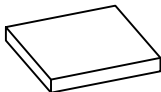
Ⓚx1



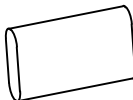
Ⓞx4



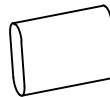
Ⓟx6



Ⓢx2



Ⓤx2



Ⓥx1



Ⓠx4

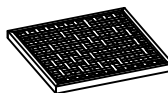
WF299488AAE



Ⓜx1



Ⓛx1



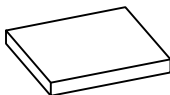
Ⓝx1



Ⓝx1



Ⓞx3



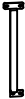





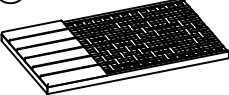

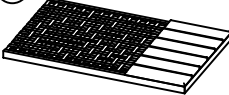

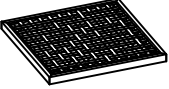




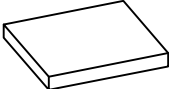
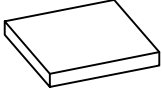
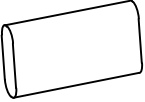
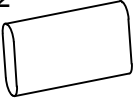
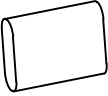


Ⓡx4










Ⓟx10

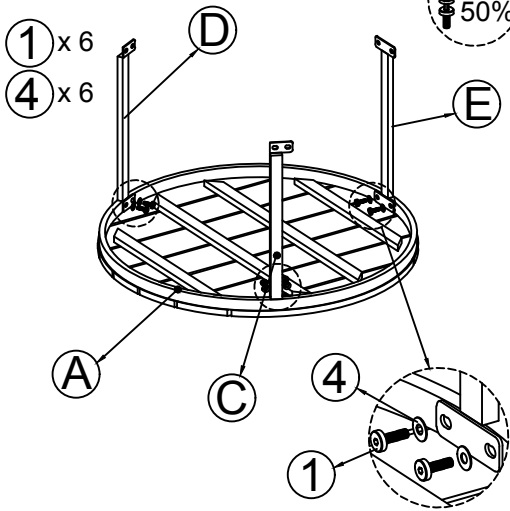
Teileliste Liste:

<p>Ax1</p>  <p>Big Table Top</p>	<p>Bx1</p>  <p>Big Table Leg</p>	<p>Cx1</p>  <p>Side Left Big Table</p>	<p>Dx1</p>  <p>Side Right Big Table</p>
<p>Ex1</p>  <p>Side Middle Big Table</p>	<p>Fx1</p>  <p>Small Table Top</p>	<p>Gx1</p>  <p>Small Table Leg</p>	<p>Hx3</p>  <p>Side Small Table</p>
<p>Ix1</p>  <p>Seat Right Bench</p>	<p>Jx1</p>  <p>Side Right Bench</p>	<p>Kx1</p>  <p>Seat Left Bench</p>	<p>Lx1</p>  <p>Side Left Bench</p>
<p>Mx1</p>  <p>Seat Chair</p>	<p>Nx1</p>  <p>Seat Corner</p>	<p>Ox7</p>  <p>Back</p>	<p>Px16</p>  <p>Side Leg</p>
<p>Qx4</p>  <p>Middle Leg</p>	<p>Rx4</p>  <p>Seat Bench Cushion</p>	<p>Sx2</p>  <p>Seat Chair Cushion</p>	<p>Tx4</p>  <p>Back Bench Cushion</p>
<p>Ux2</p>  <p>Back Chair Cushion</p>	<p>Vx1</p>  <p>Small Back Cushion</p>		

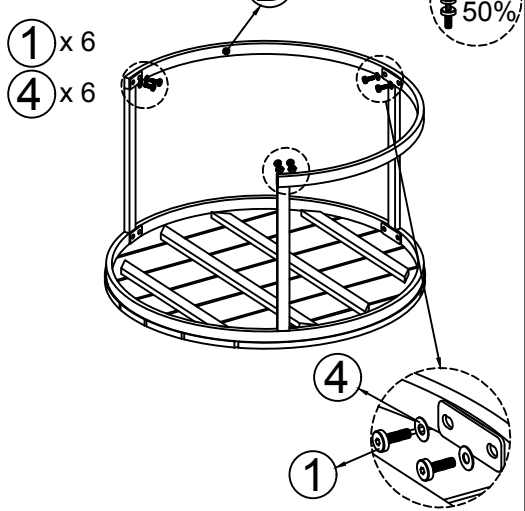
Hardware Liste:

<p>① x 104 pcs Extra 4 pcs</p>  <p>BOLT M6 x 15MM</p>	<p>② x 28 pcs Extra 2 pcs</p>  <p>BOLT M6 x 40MM</p>	<p>③ x 4 pcs Extra 1 pcs</p>  <p>BOLT M6 x 60MM</p>	<p>④ x 140 pcs Extra 4 pcs</p>  <p>WASHER M6</p>
<p>⑤ x 4 pcs Extra 1 pcs</p>  <p>NUT M6</p>	<p>⑥ x 2 pcs</p>  <p>ALLEN KEY</p>	<p>⑦ x 1 pc</p>  <p>KEY</p>	

SCHRITT 1



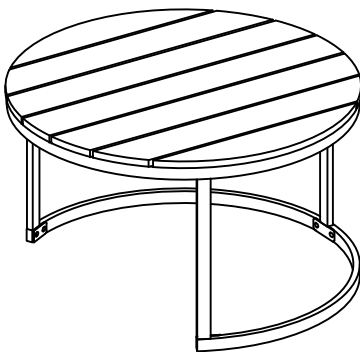
SCHRITT 2



Connect The Big Table Top (A) & Side Left Big Table (C), Side Right Big Table (D), Side Middle Big Table (E), tighten Bolt (1), Flat Washer (4) with Allen Key (6).

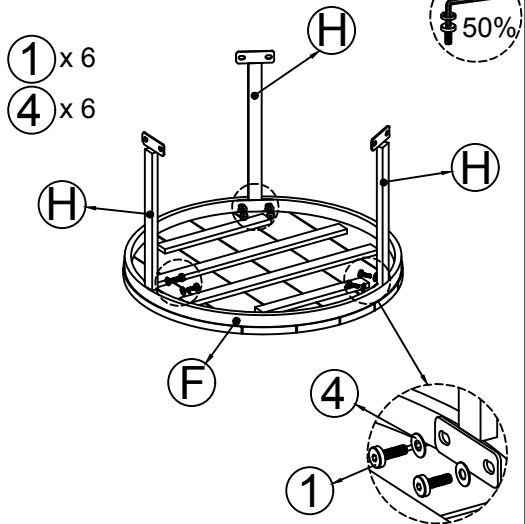
Connect The Part from Step 1 & Big Table Leg (B), tighten Bolt (1), Flat Washer (4) with Allen Key (6).

SCHRITT 3



Put the Big Table upright and make sure all legs are level, then firmly tighten Bolts with Allen Key (6) to finish Big Table

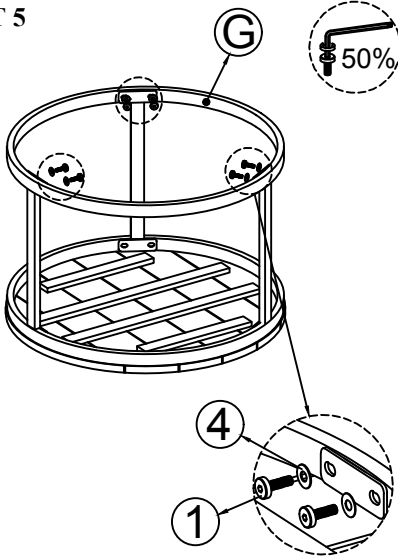
SCHRITT 4



Connect The Small Table Top (F) & Side Small Table (H), tighten Bolt (1), Flat Washer (4) with Allen Key (6).

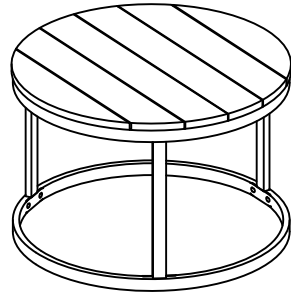
SCHRITT 5

① x 6
④ x 6



SCHRITT 6

⑥ 100%

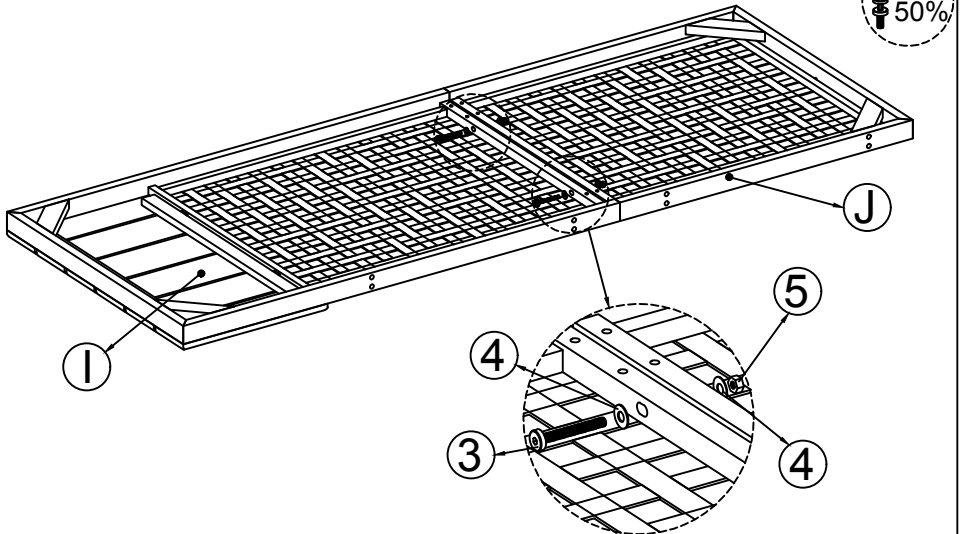


Connect The Part from Step 4 & Side Small Leg (G), tighten Bolt (1), Flat Washer (4) with Allen Key (6).

Put the Small Table upright and make sure all legs are level, then firmly tighten Bolts with Allen Key (6)

SCHRITT 7

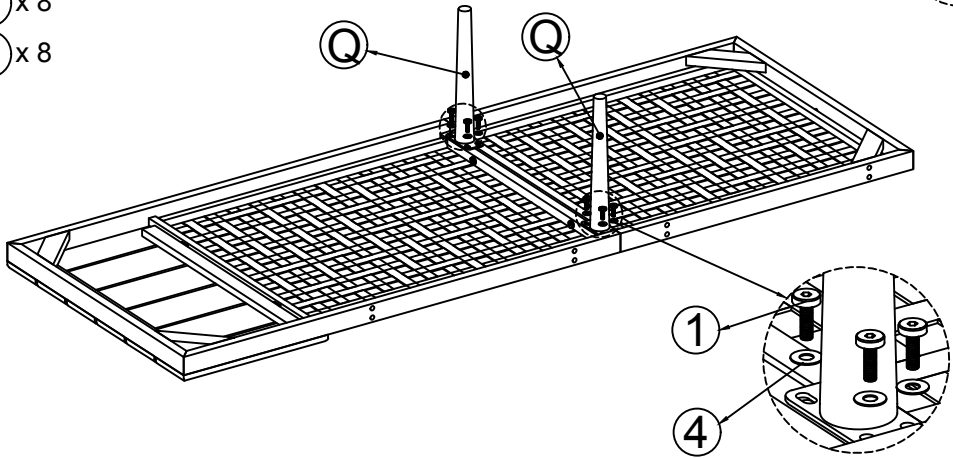
③ x 2
④ x 4
⑤ x 2



Connect The Seat Right Bench (I) & Side Right Bench (J), tighten Bolt (3), Flat Washer (4) & Nut (5) with Allen Key (6), Key (7).

SCHRITT 8

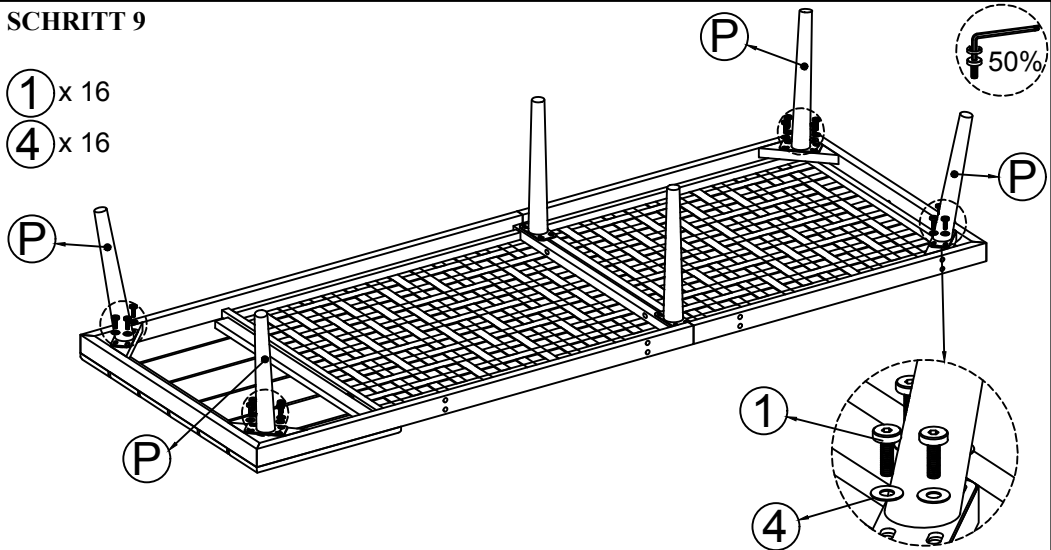
① x 8
④ x 8



Connect The Part from Step 7 & Middle Leg (Q), tighten Bolt (1), Flat Washer (4) with Allen Key (6).

SCHRITT 9

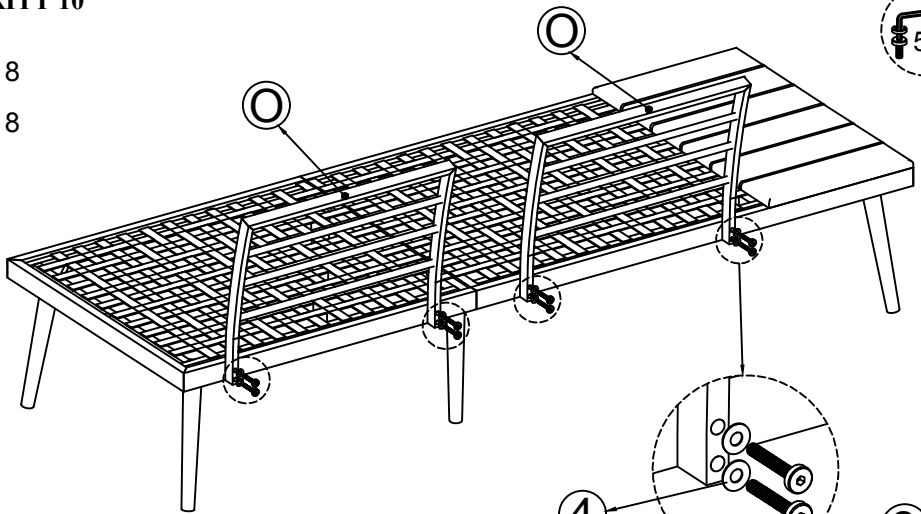
① x 16
④ x 16



Connect The Part from Step 8 & Side Leg (P), tighten Bolt (1), Flat Washer (4) with Allen Key (6).

SCHRITT 10

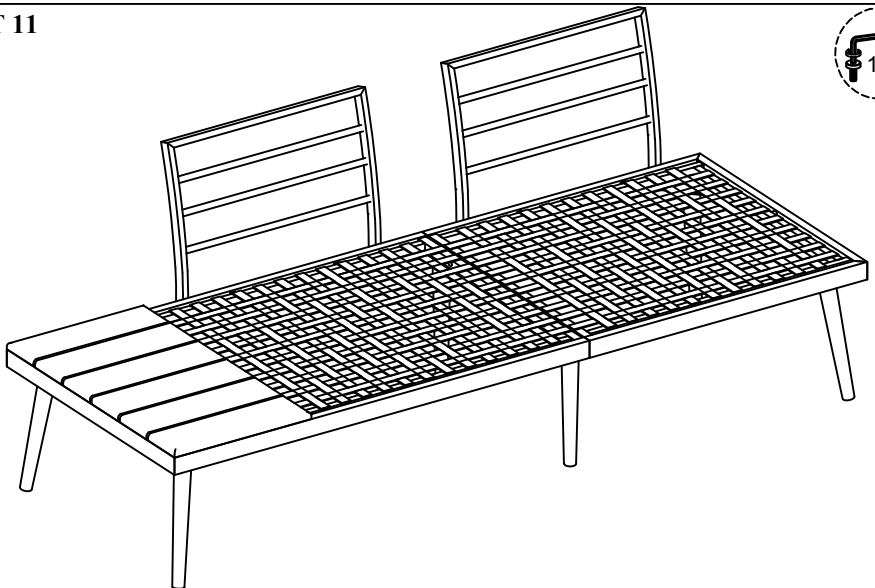
② x 8
④ x 8



Connect The Part from Step 9 & Back (O), tighten Bolt (2), Flat Washer (4) with Allen Key (6).

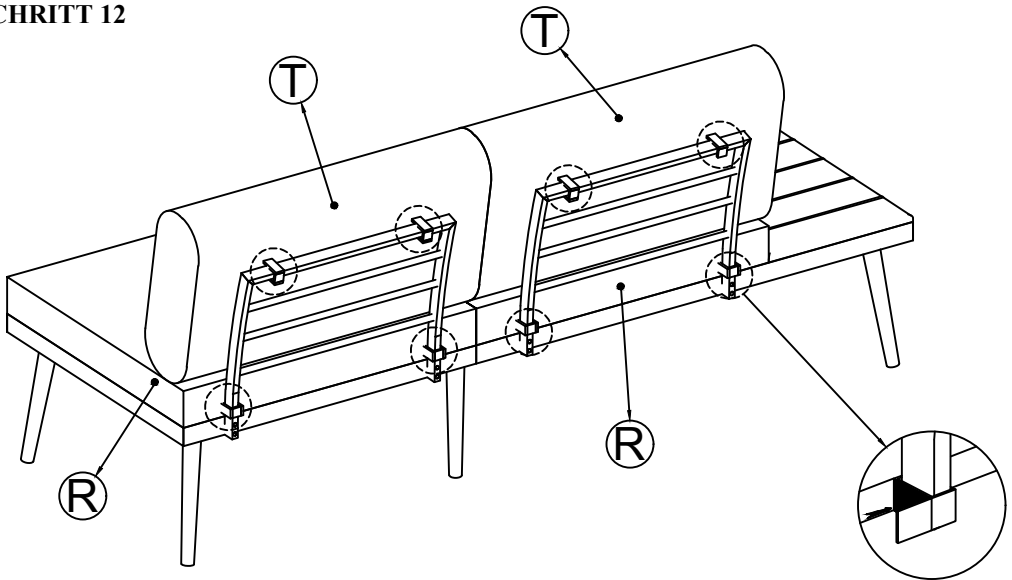
SCHRITT 11

① x 6
④ x 6



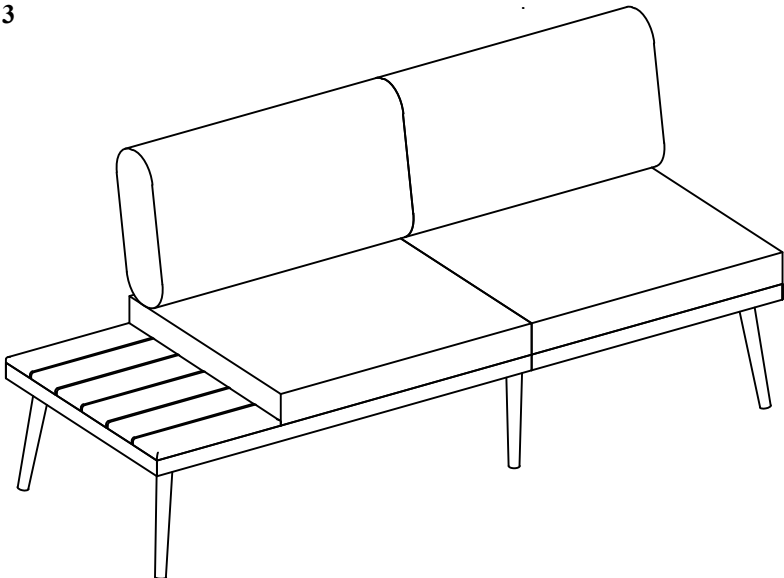
Put the Right Bench upright and make sure all legs are level, then firmly tighten Bolts with Allen Key (6)

SCHRITT 12



Put on Seat Bench Cushion (R), Back Bench Cushion (S), to Right Bench. Stick string to Back Bench Sofa to finish Right Bench

SCHRITT 13



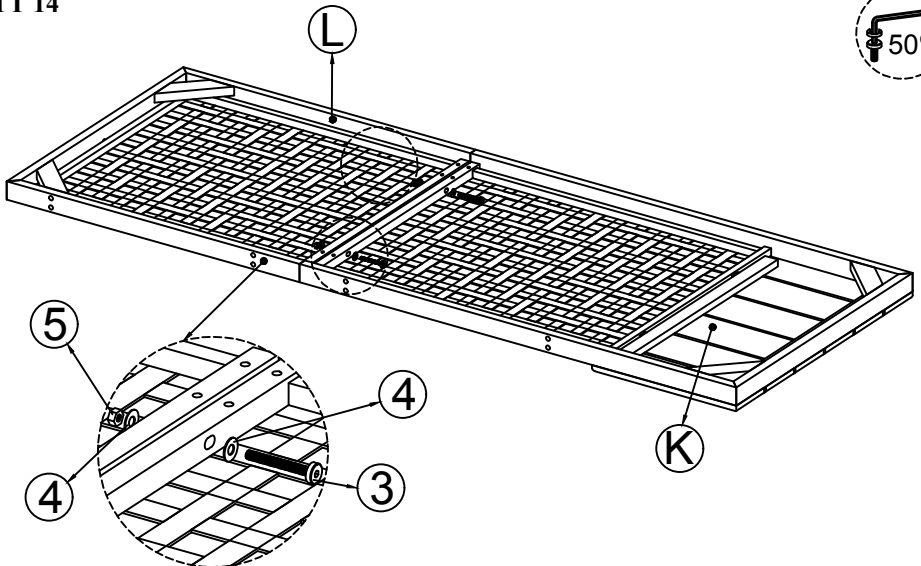
Finish Right Bench

SCHRITT 14

③ x 2

④ x 4

⑤ x 2

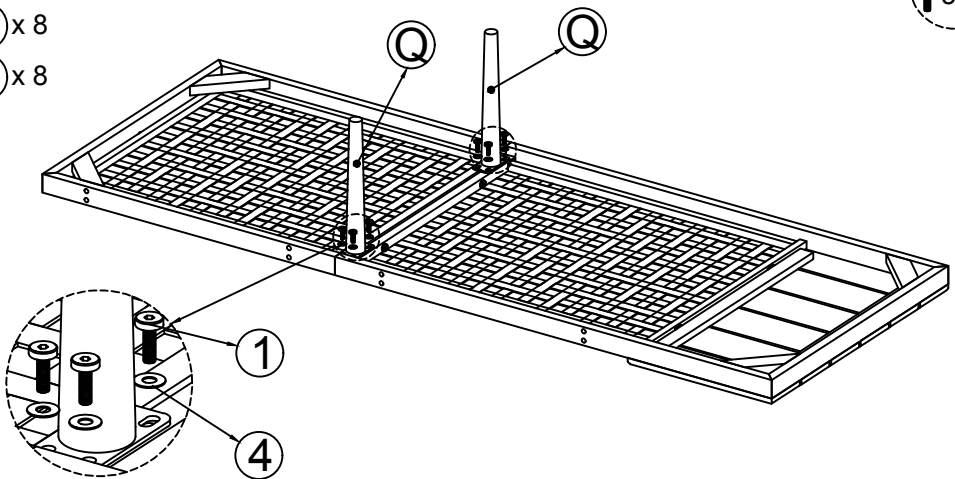


Connect The Seat Left Bench (K) & Side Left Bench (L), tighten Bolt (3), Flat Washer (4) & Nut (5) with Allen Key (6), Key (7).

SCHRITT 15

① x 8

④ x 8

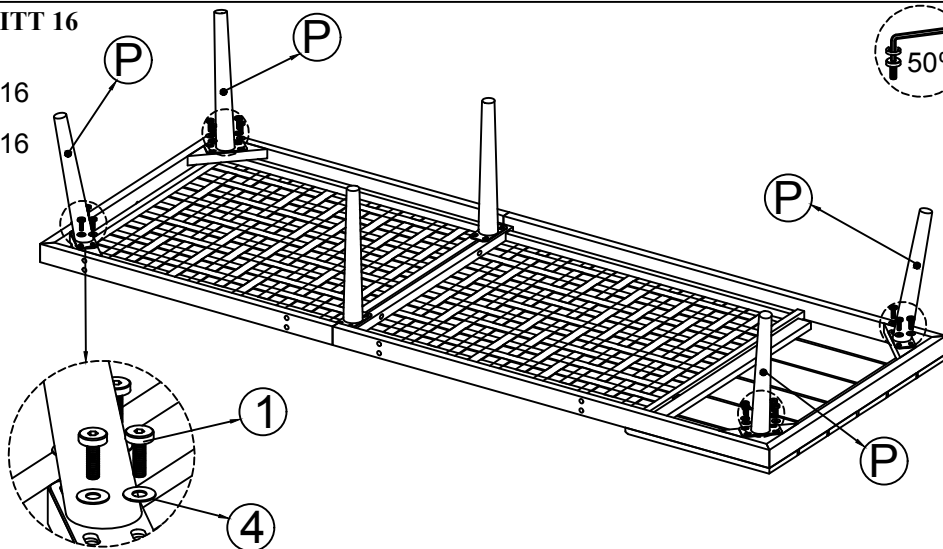


Connect The Part from Step 14 & Middle Leg (Q), tighten Bolt (1), Flat Washer (4) with Allen Key (6).

SCHRITT 16

① x 16

④ x 16

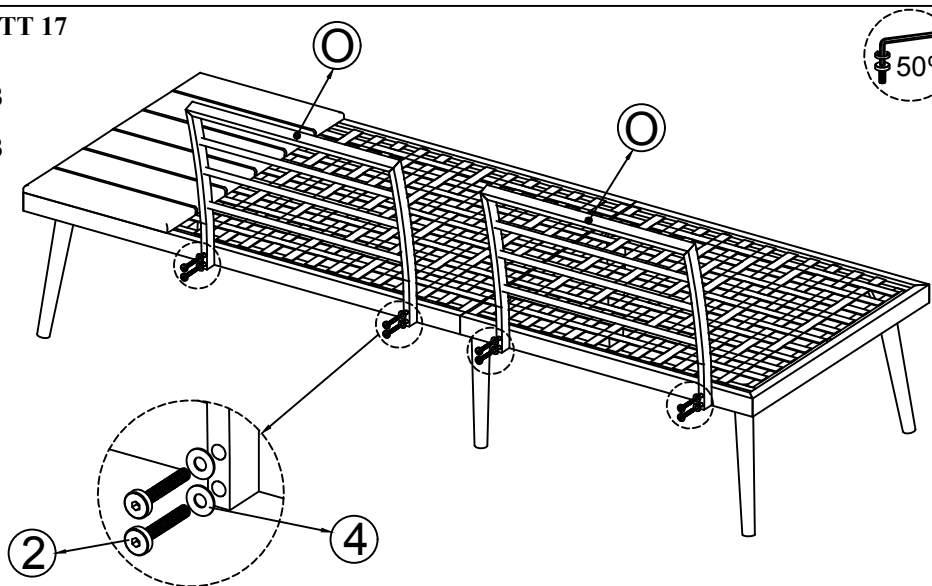


Connect The Part from Step 15 & Side Leg (P), tighten Bolt (1), Flat Washer (4) with Allen Key (6).

SCHRITT 17

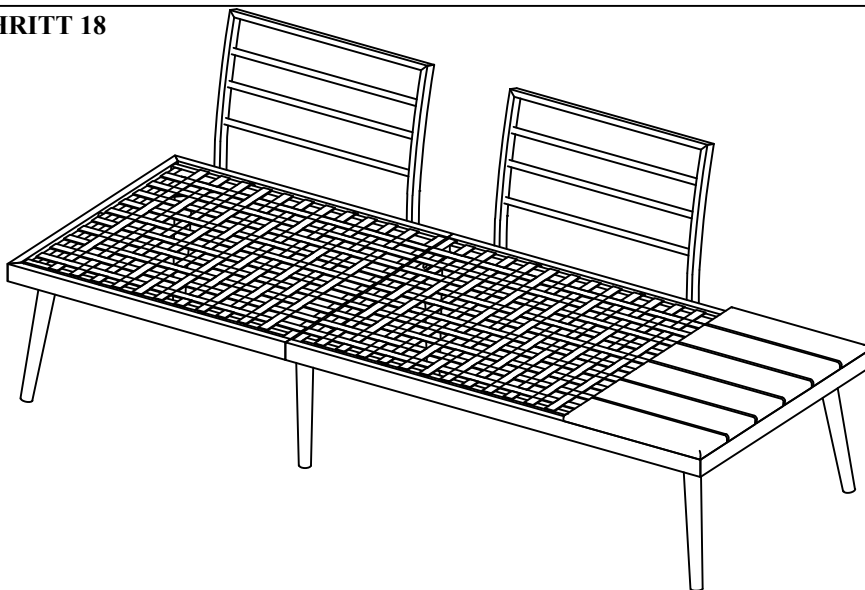
② x 8

④ x 8



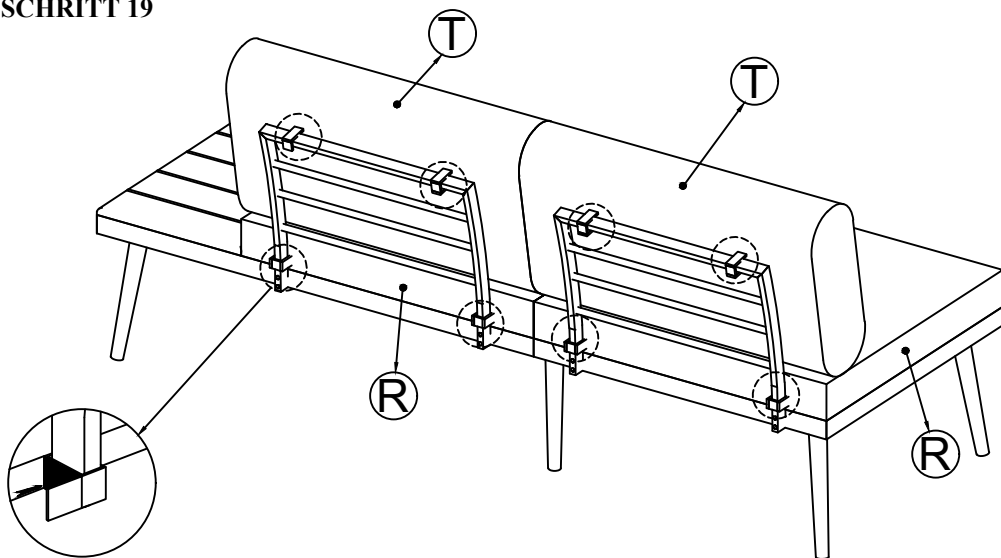
Connect The Part from Step 16 & Back (O), tighten Bolt (2), Flat Washer (4) with Allen Key (6).

SCHRITT 18



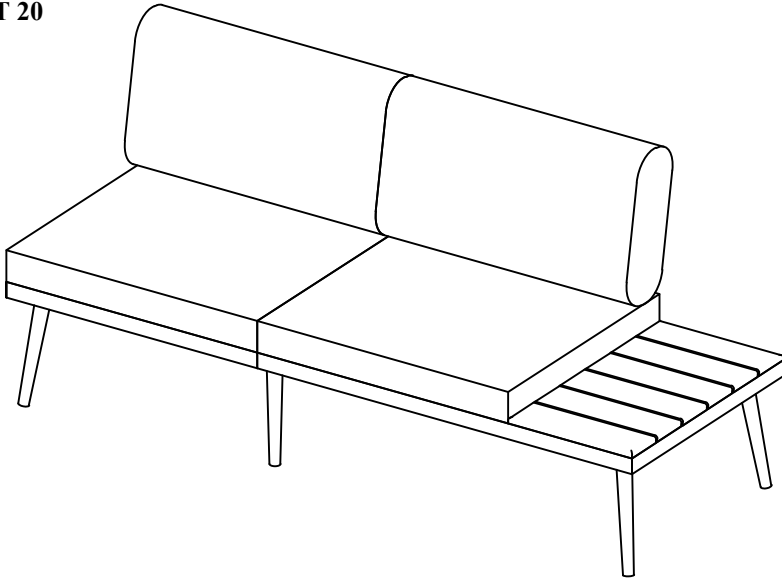
Put the Left Bench upright and make sure all legs are level, then firmly tighten Bolts with Allen Key (6)

SCHRITT 19



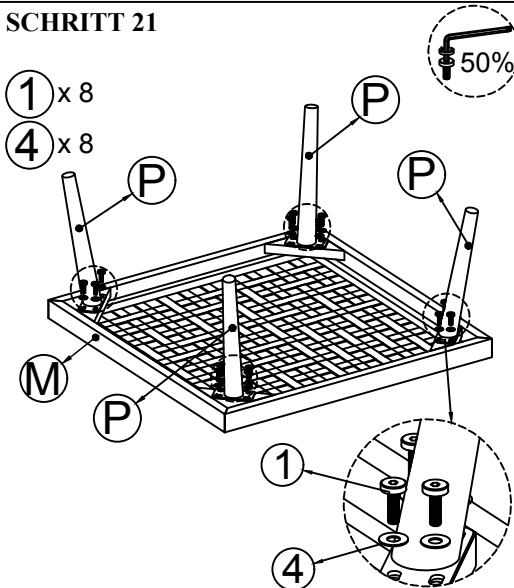
Put on Seat Bench Cushion (R), Back Bench Cushion (S), to Right Bench. Stick string to Back Bench-Sofa to finish Left Bench

SCHRITT 20



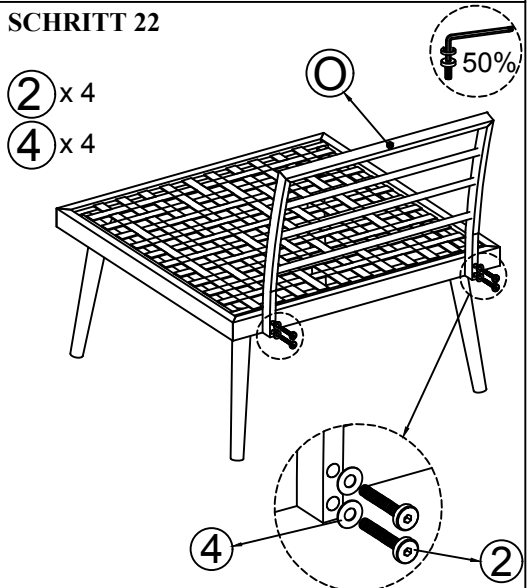
Finish Left Bench

SCHRITT 21



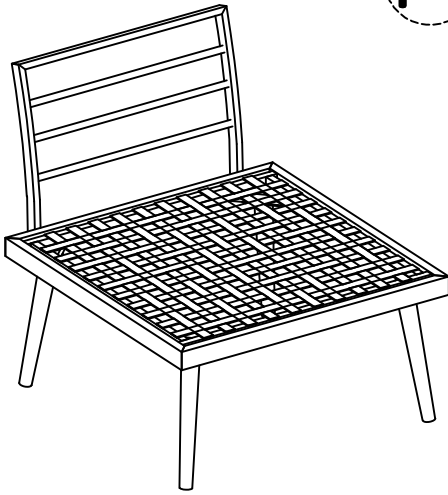
Connect The Seat Chair (M) & Side Leg (P), tighten Bolt (1), Flat Washer (4) with Allen Key (6).

SCHRITT 22



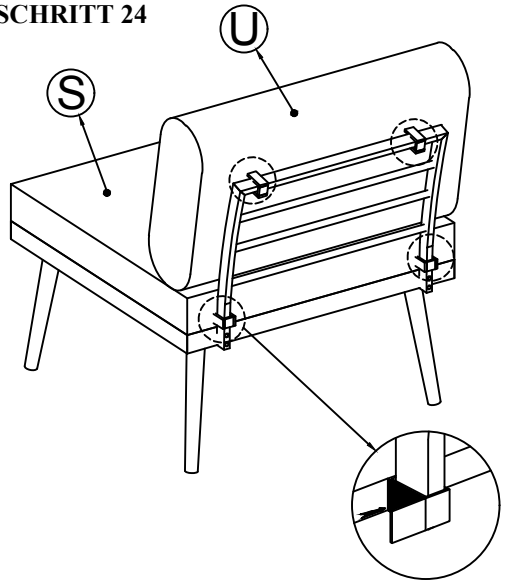
Connect The Part from Step 21 & Back (O), tighten Bolt (2), Flat Washer (4) with Allen Key (6).

SCHRITT 23



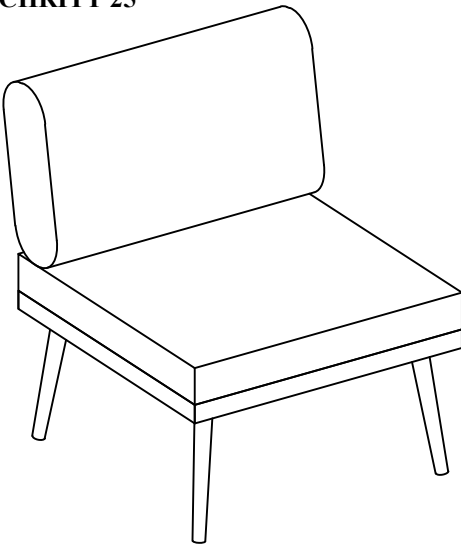
Put the Chair upright and make sure all legs are level, then firmly tighten Bolts with Allen Key (6)

SCHRITT 24



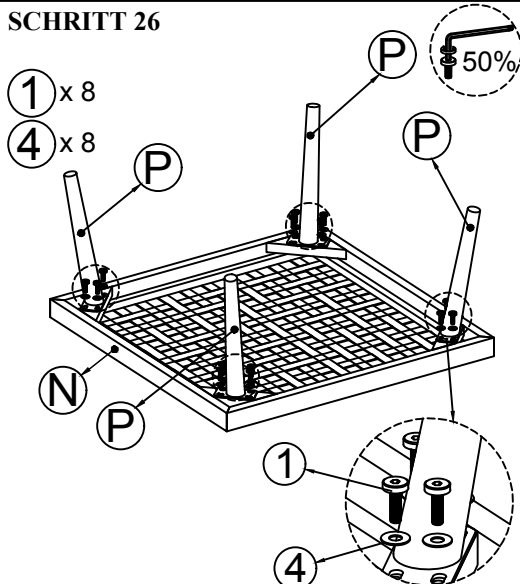
Put on Seat Chair Cushion (S), Back Chair Cushion (U), to Chair. Stick string to Back Chair to finish Chair.

SCHRITT 25



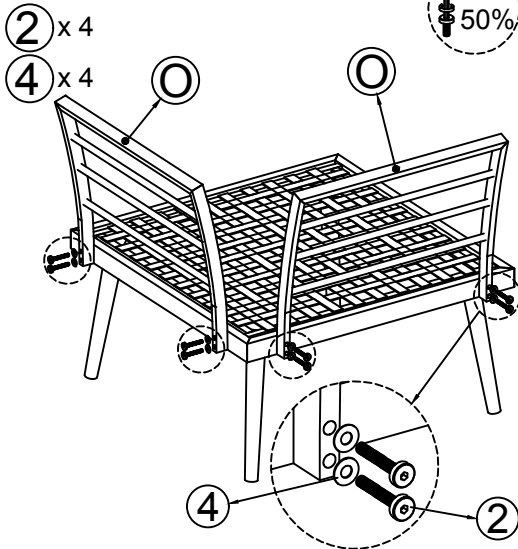
Finish Chair

SCHRITT 26



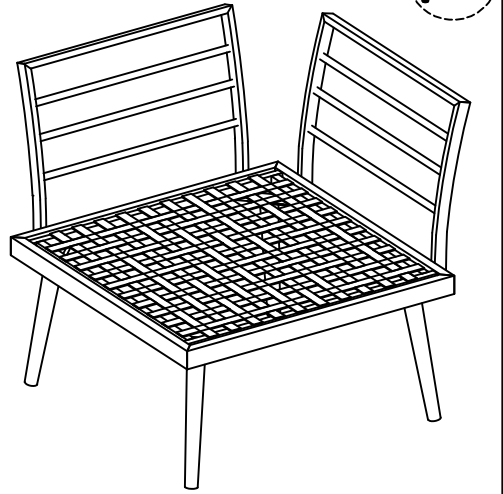
Connect The Seat Corner (N) & Side Leg (P), tighten Bolt (1), Flat Washer (4) with Allen Key (6).

SCHRITT 27



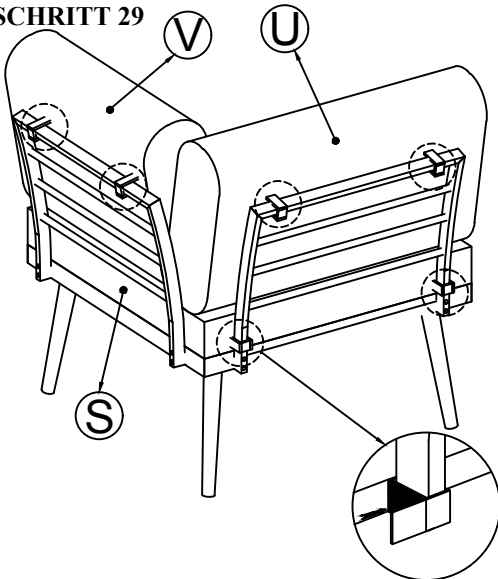
Connect The Part from Step 27 & Back (O), tighten Bolt (2), Flat Washer (4) with Allen Key (6).

SCHRITT 28



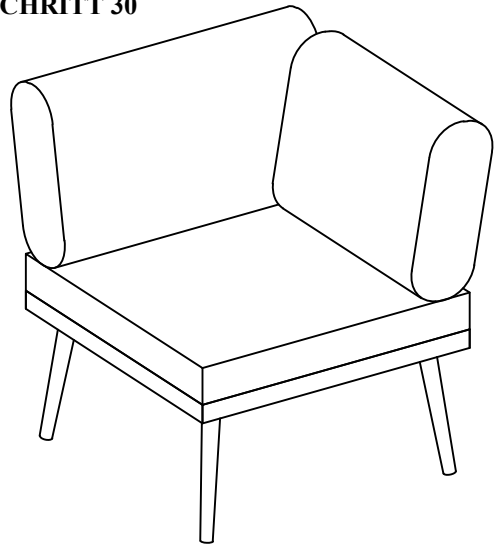
Put the Corner upright and make sure all legs are level, then firmly tighten Bolts with Allen Key (6)

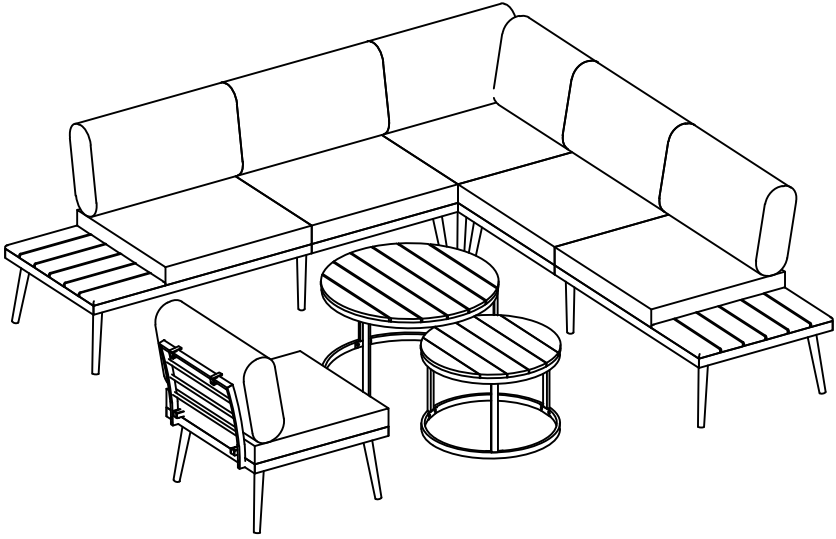
SCHRITT 29



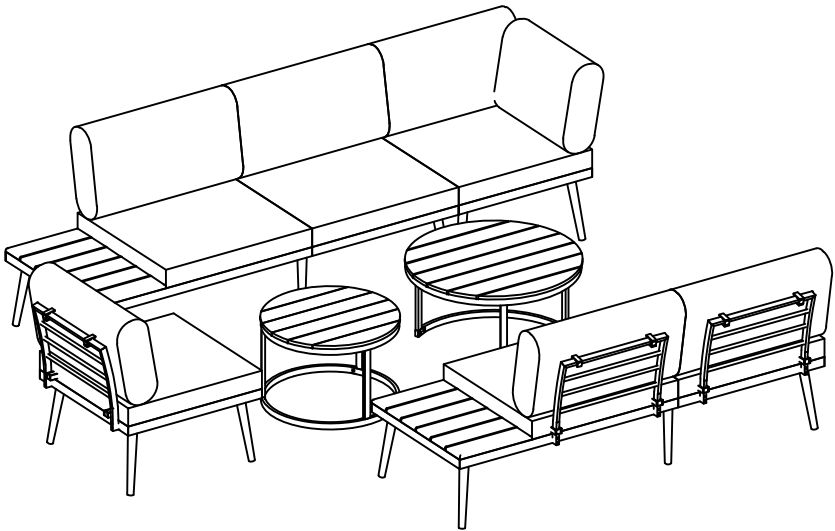
Put on Seat Chair Cushion (S) & Back Chair Cushion (U), Small Back Cushion (V) to Corner. Stick string to Back Corner to finish Corner.

SCHRITT 30





Finish Sofa Option 1



Finish Sofa Option 2