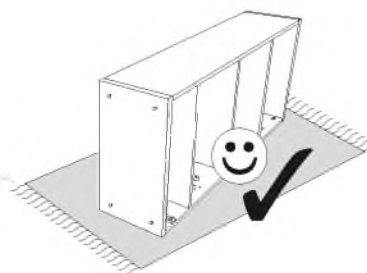
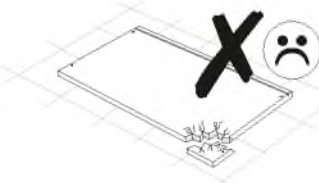
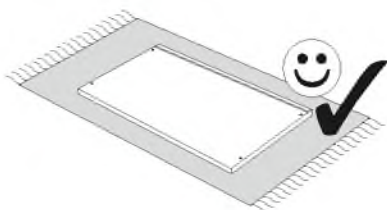
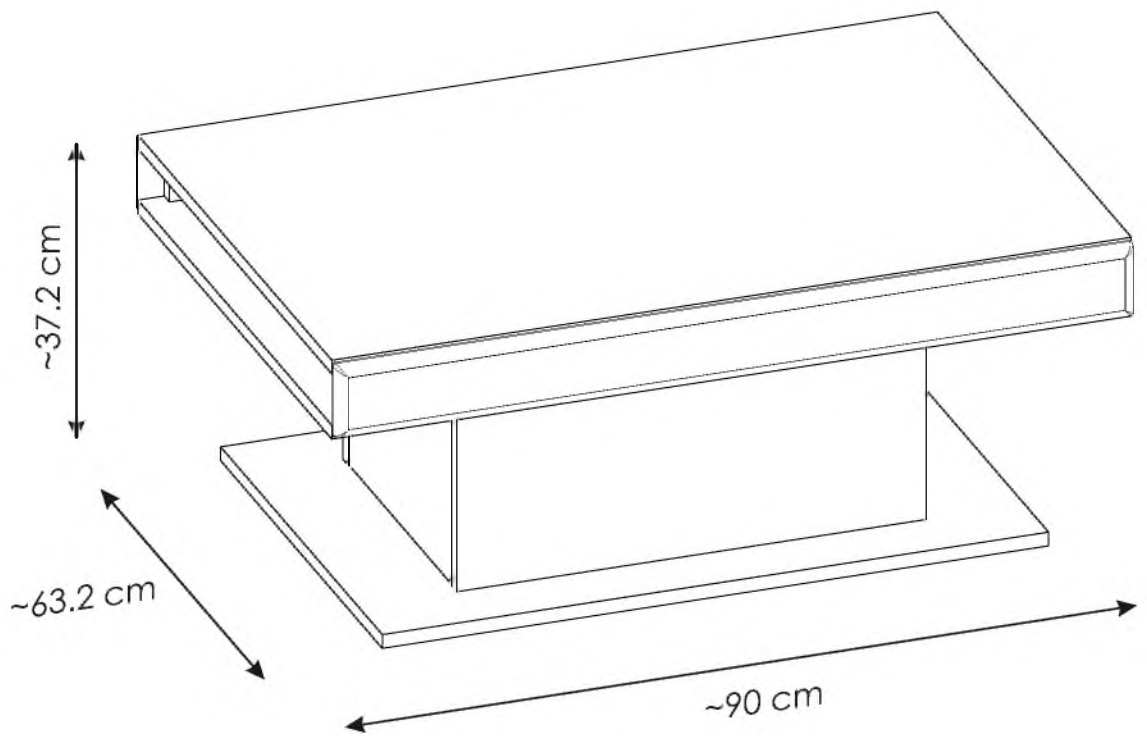
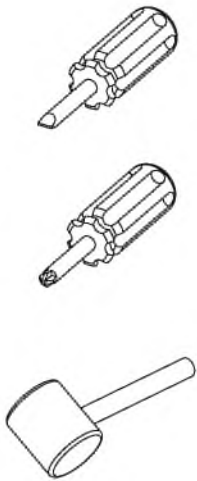
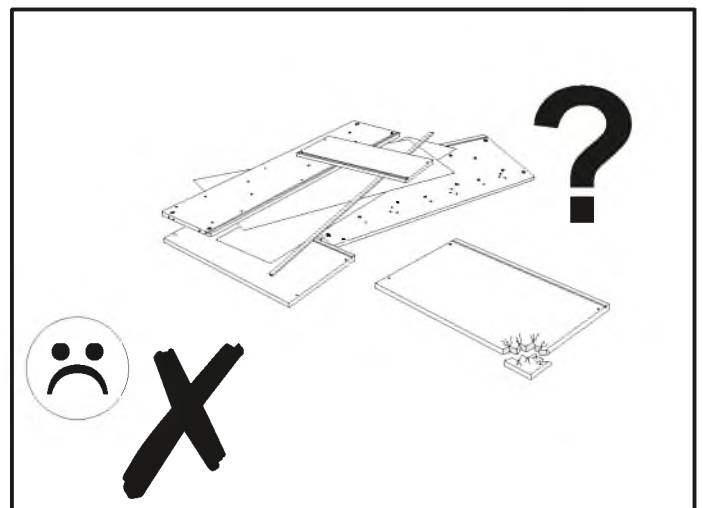
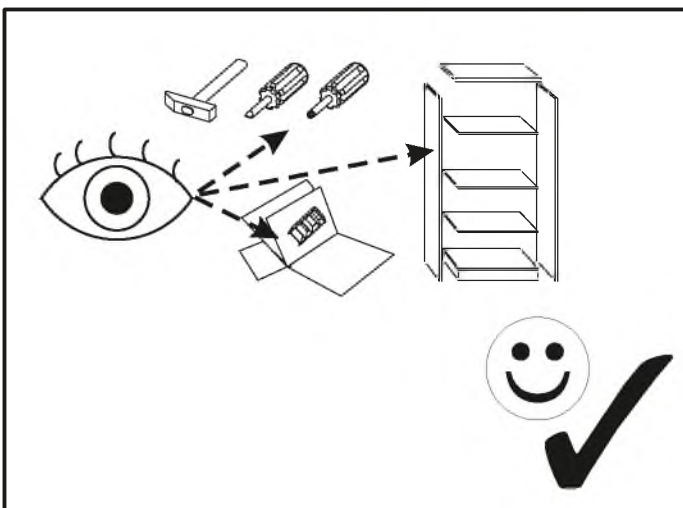
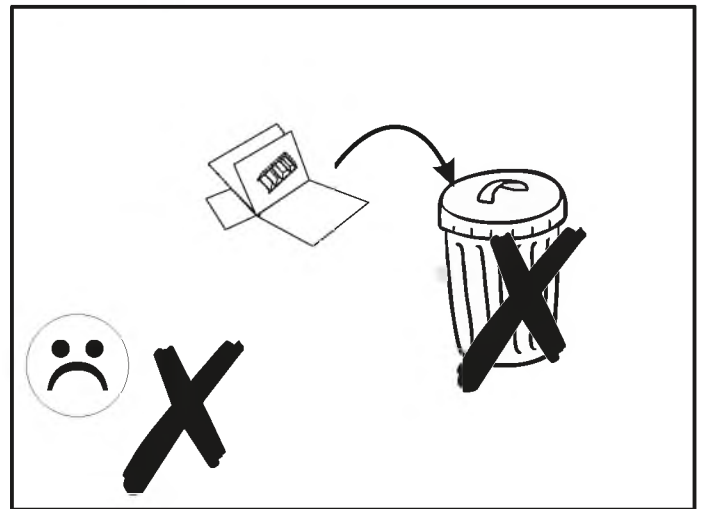
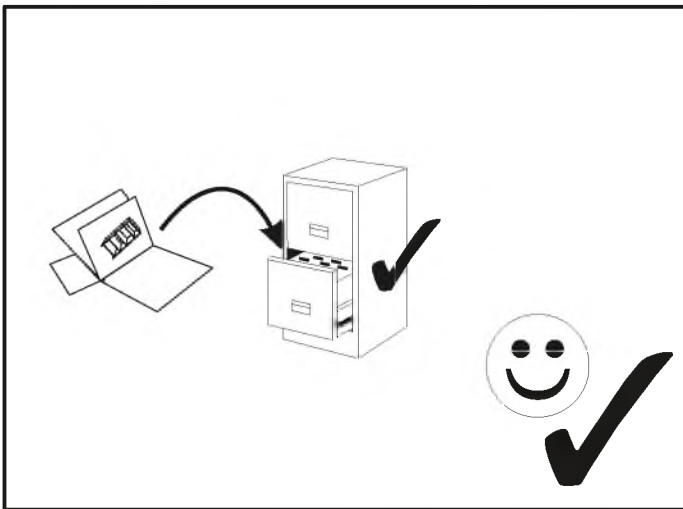
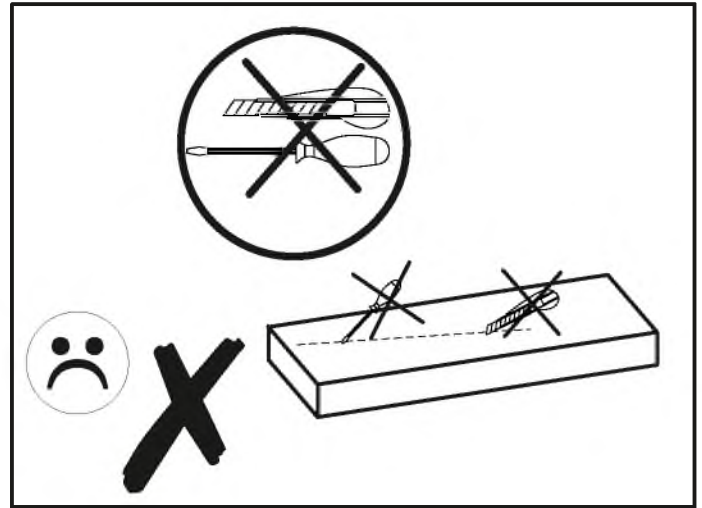
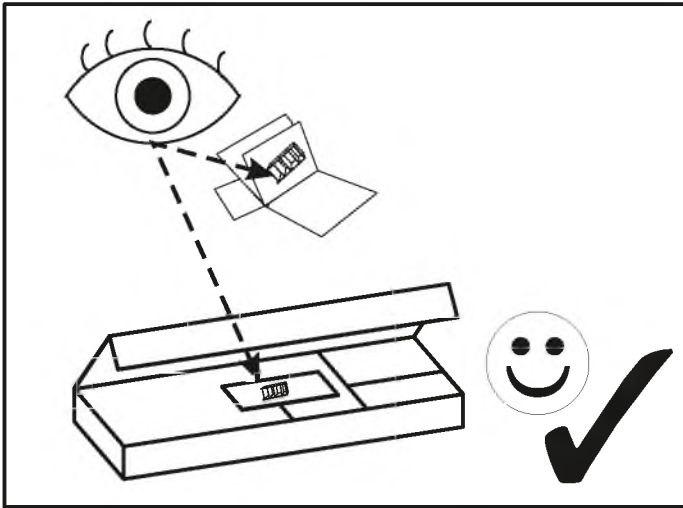


TYP 61








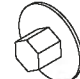


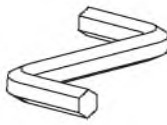


90 min





TYP 61

MM

<p>A0 8 x 20 mm x4</p> 	<p>A1 8 x 35 mm x48</p> 	<p>E0 $\varnothing 16$ x4</p> 
<p>E1 15 x 12 mm x20</p> 	<p>F1 6 x 34 mm x20</p> 	<p>G0 x16</p> 
<p>G1 7 x 50 mm x32</p> 	<p>J6 4 x 25 mm x8</p> 	<p>M x1</p> 
<p>O2A $\varnothing 20$ x6</p> 	<p>P1 x4</p> 	

240

230

220

210

200

190

180

170

160

150

140

130

120

110

100

90

80

70

60

50

40

30

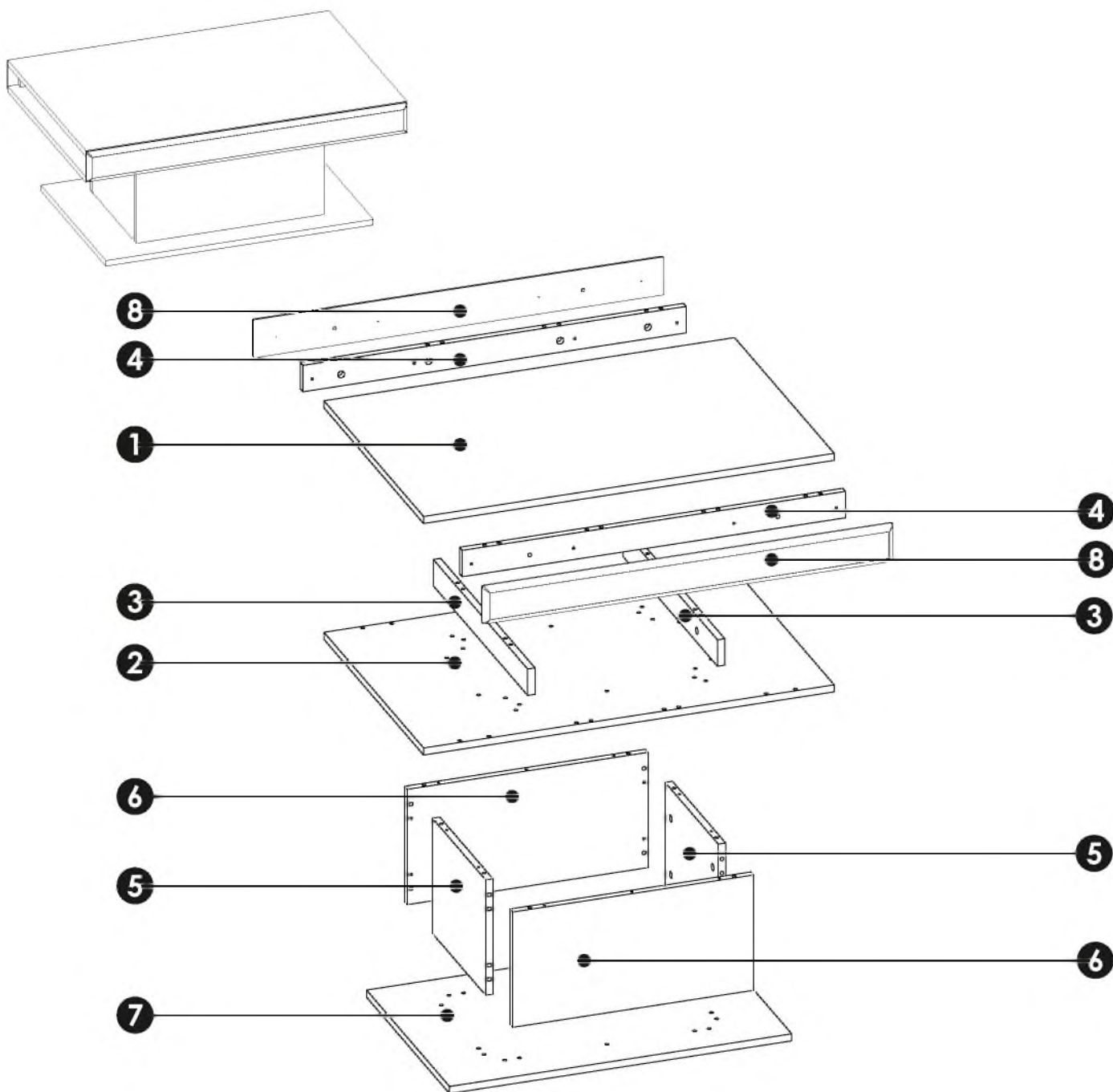
20

10

0

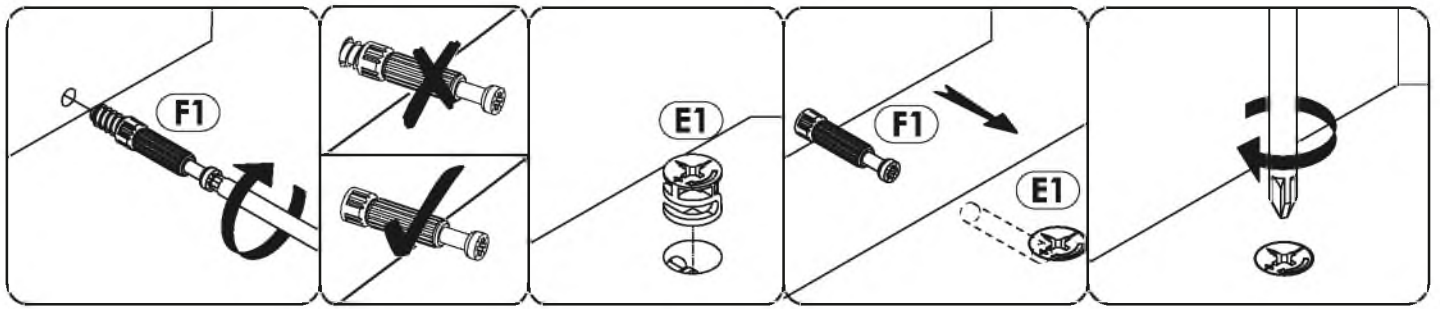


TYP 61

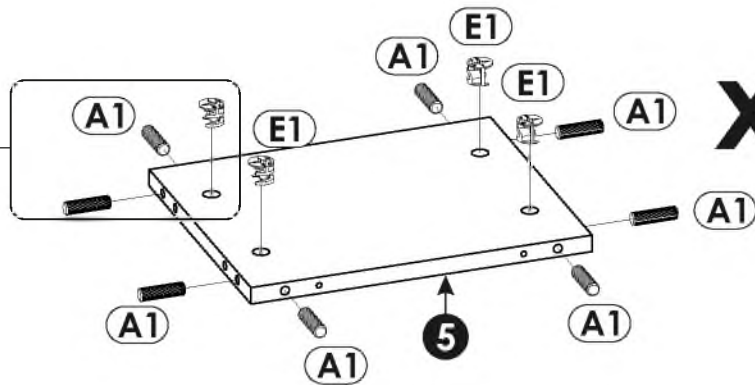
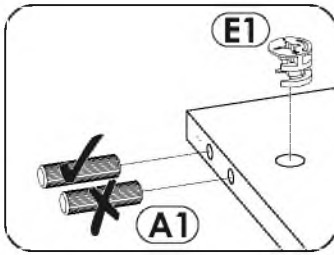
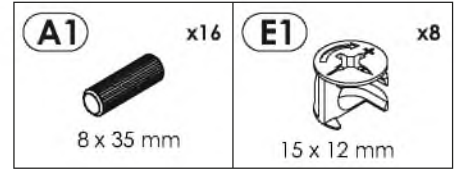


1	900	600	16	x1	1/1
2	900	600	16	x1	1/1
3	568	60	16	x2	1/1
4	840	60	16	x2	1/1

5	320	262	16	x2	1/1
6	528	262	16	x2	1/1
7	750	500	16	x1	1/1
8	900	86	16	x2	1/1



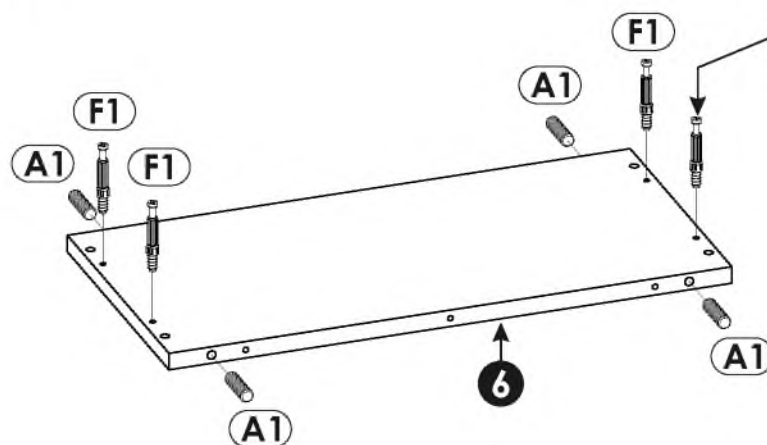
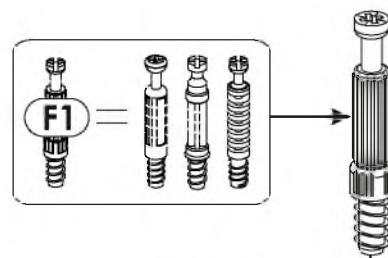
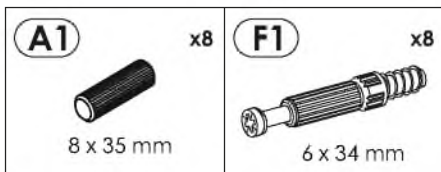
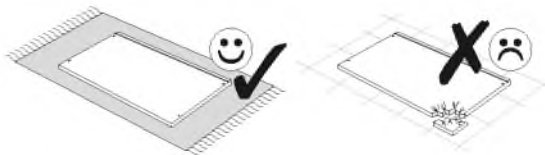
1 ▶



x2

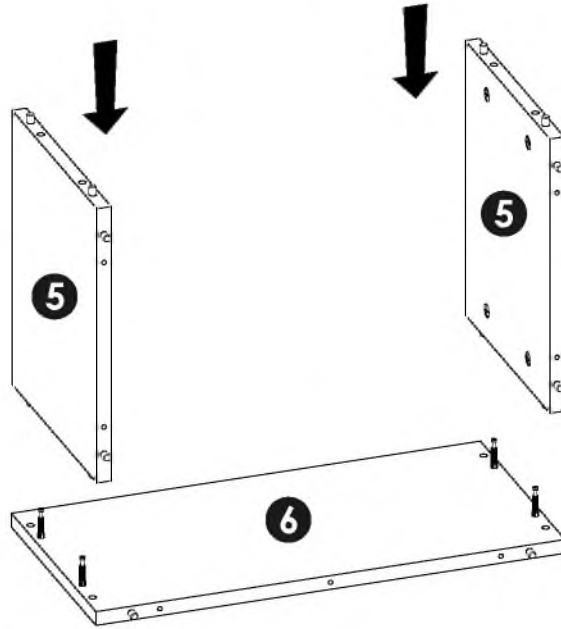
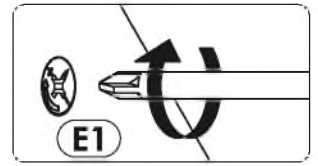
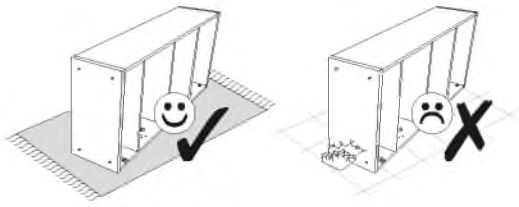


2 ▶

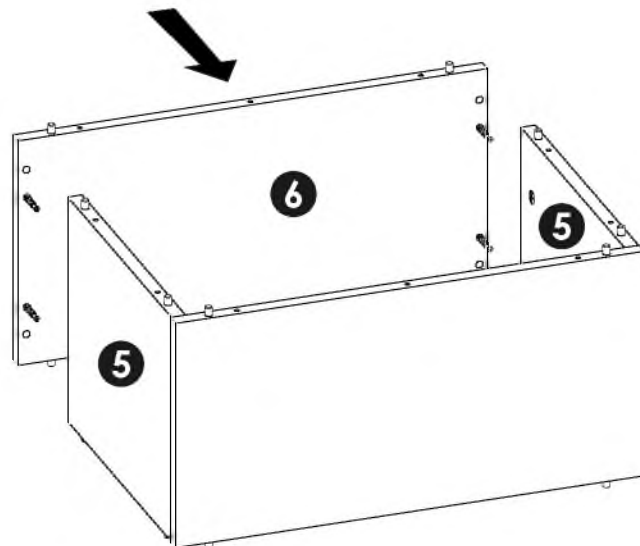
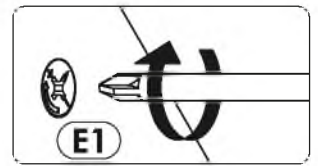
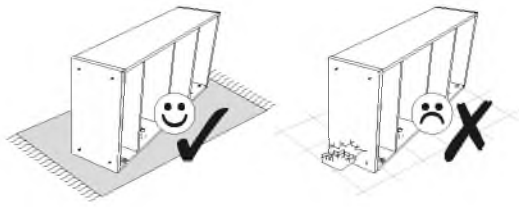


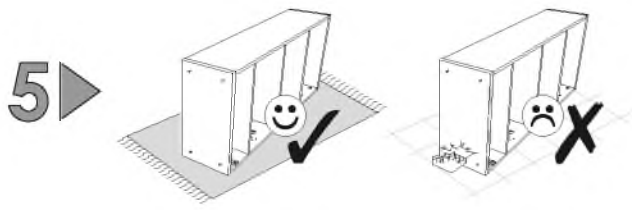
x2

3 ▶

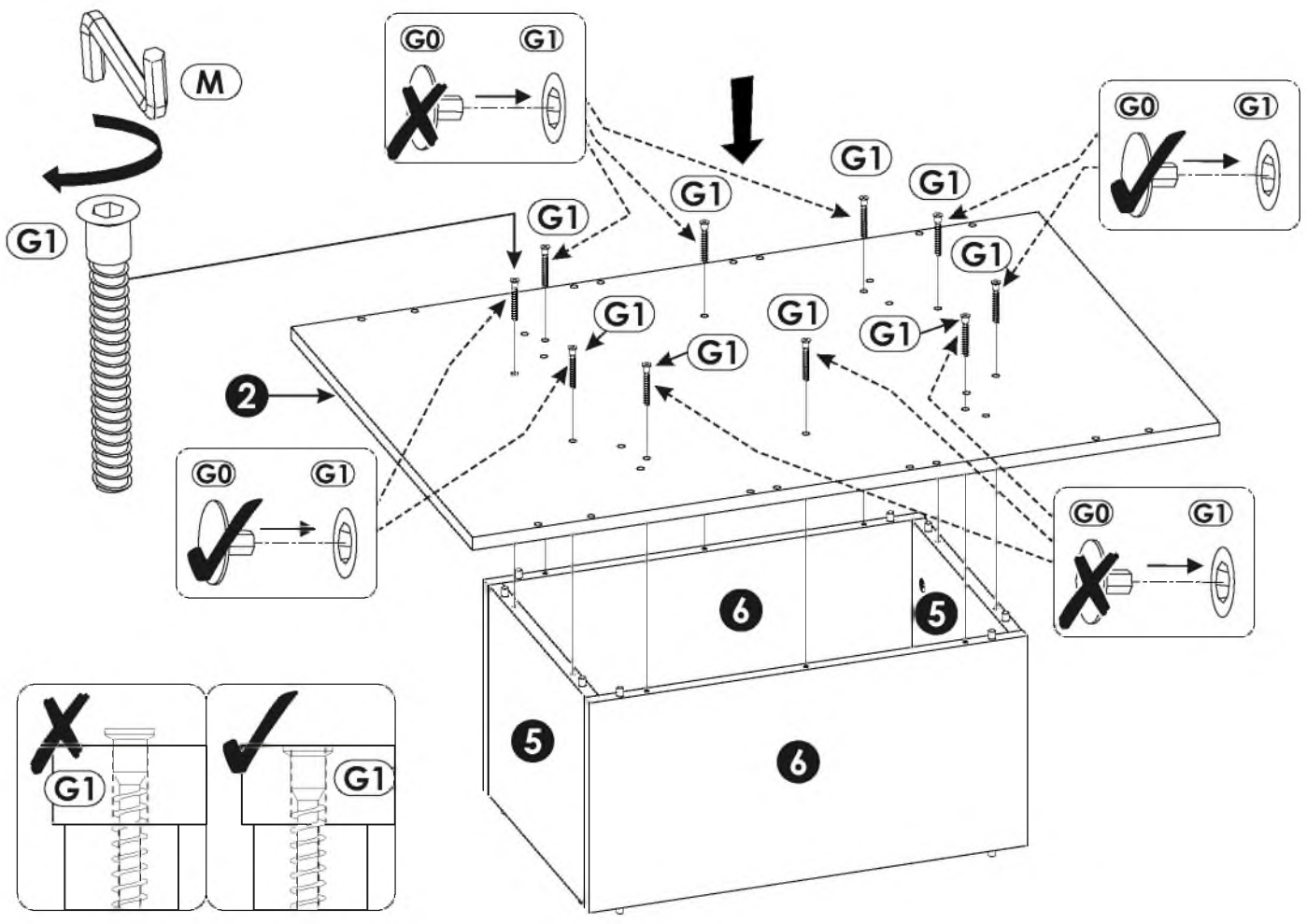


4 ▶

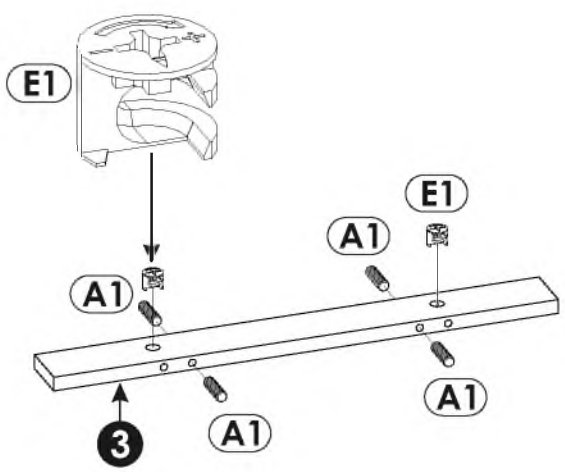




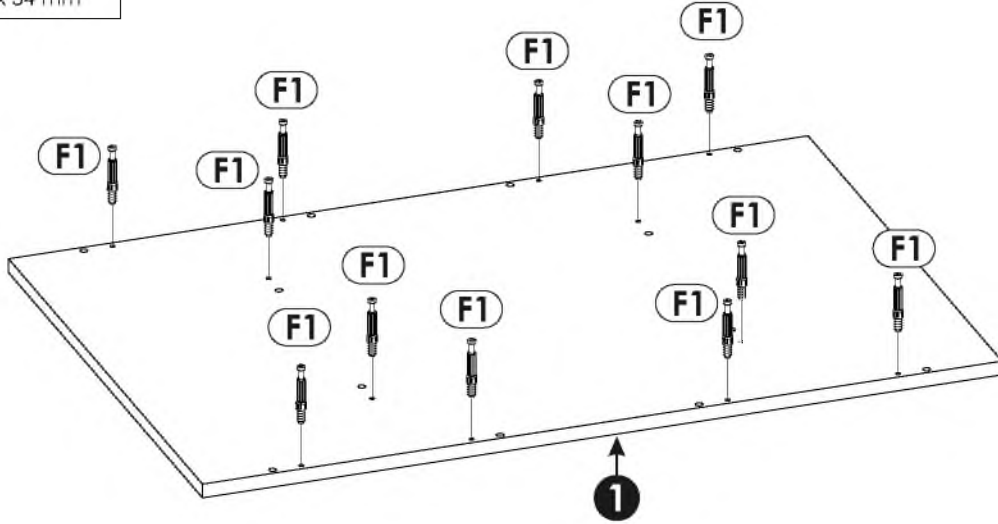
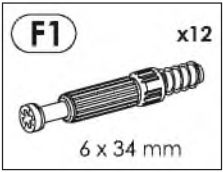
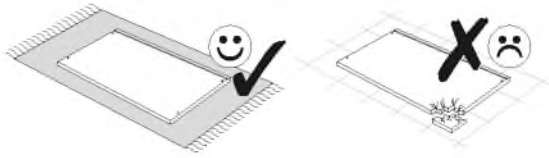
(M)	x1	(G0)	x12	(G1)	x10
				7 x 50 mm	



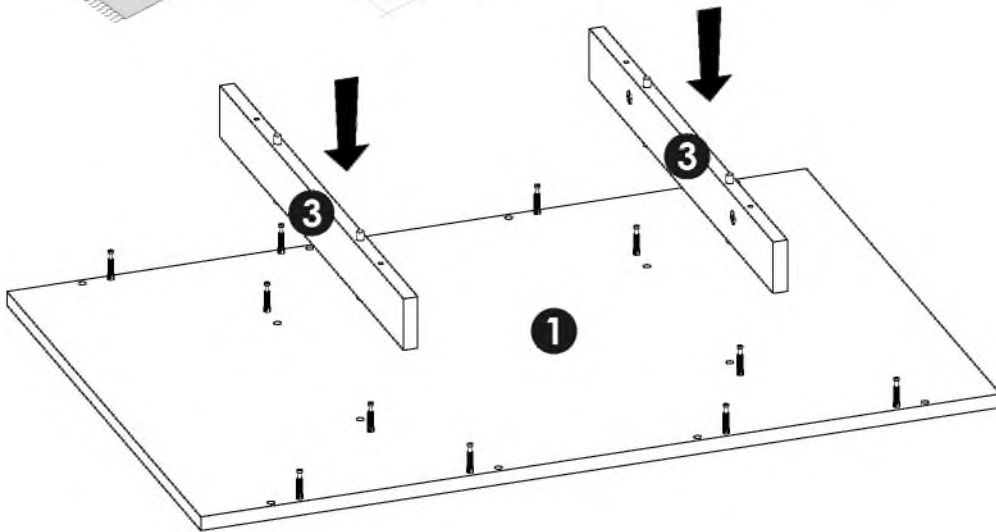
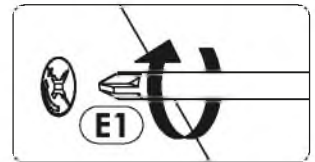
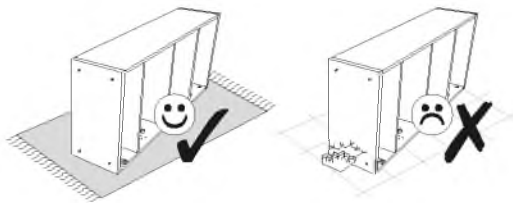
(A1)	x8	(E1)	x4
8 x 35 mm		15 x 12 mm	



7 ▶



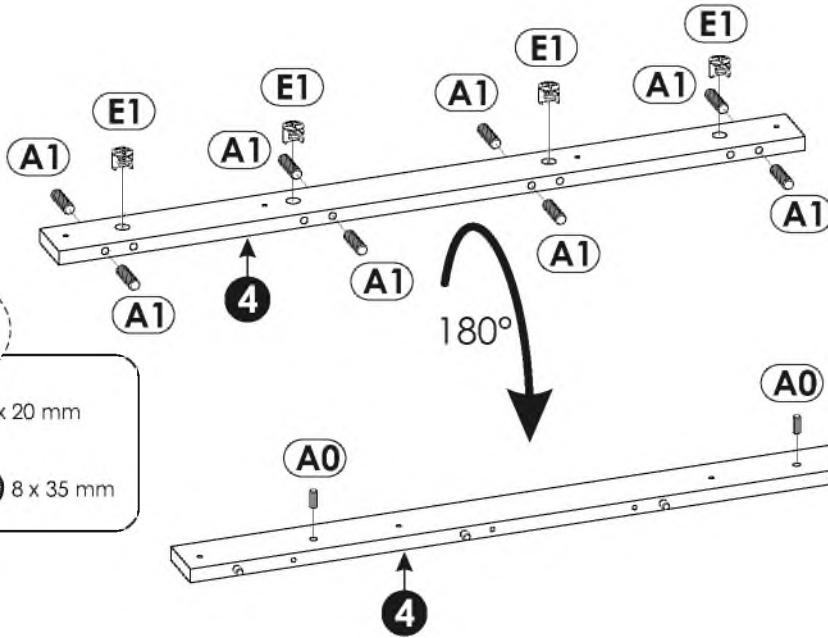
8 ▶



9 ▶

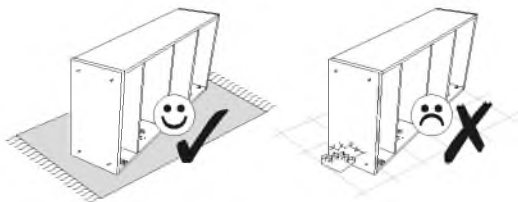




A0	x4	A1	x16	E1	x8
					
8 x 20 mm		8 x 35 mm		15 x 12 mm	

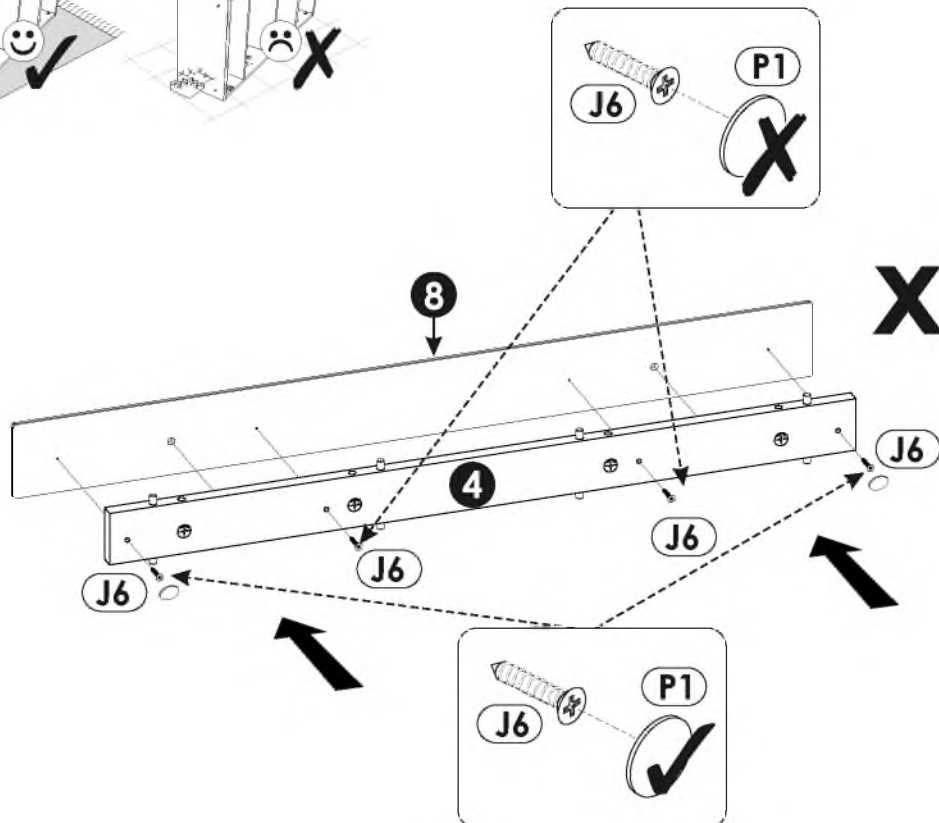


x2

10 ▶

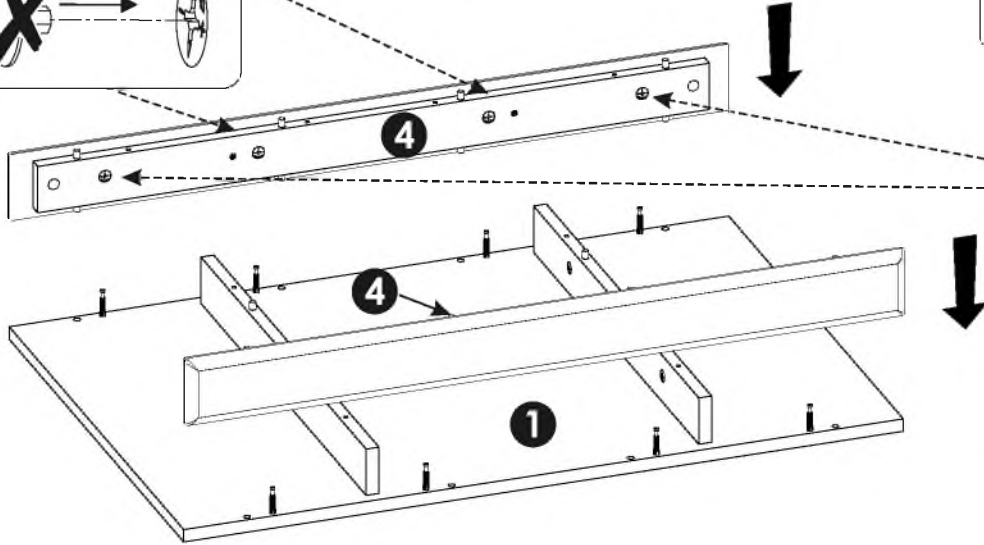
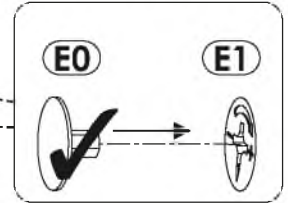
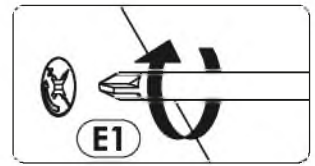
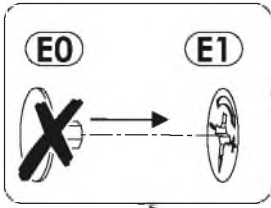
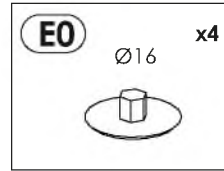
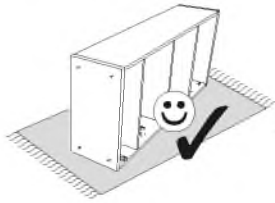


J6	x8
	
4 x 25 mm	
P1	x4
	

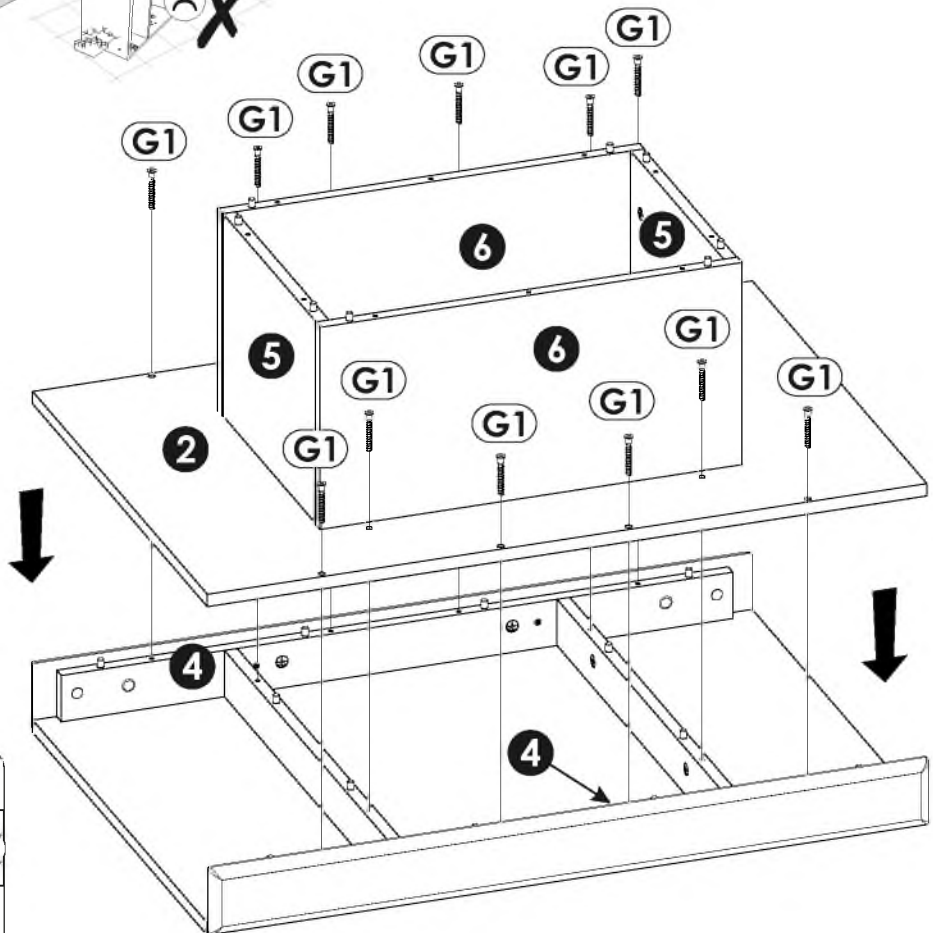
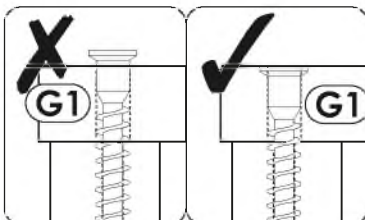
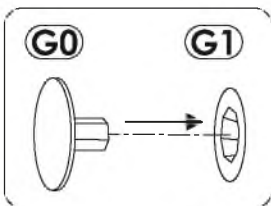
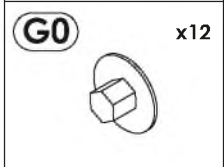
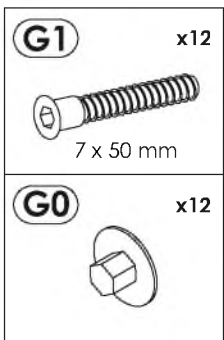


x2

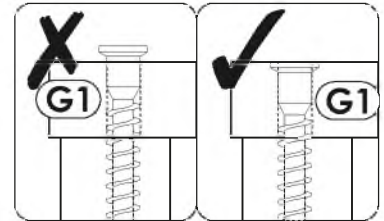
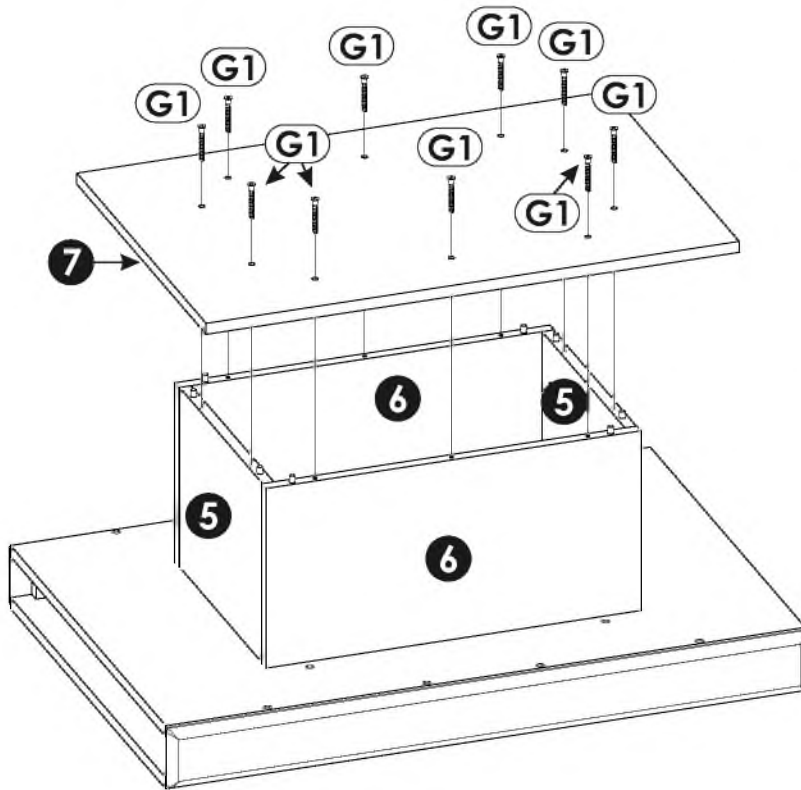
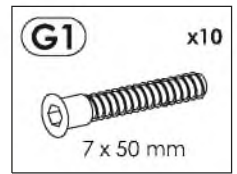
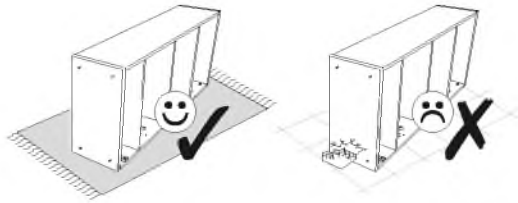
11 ▶



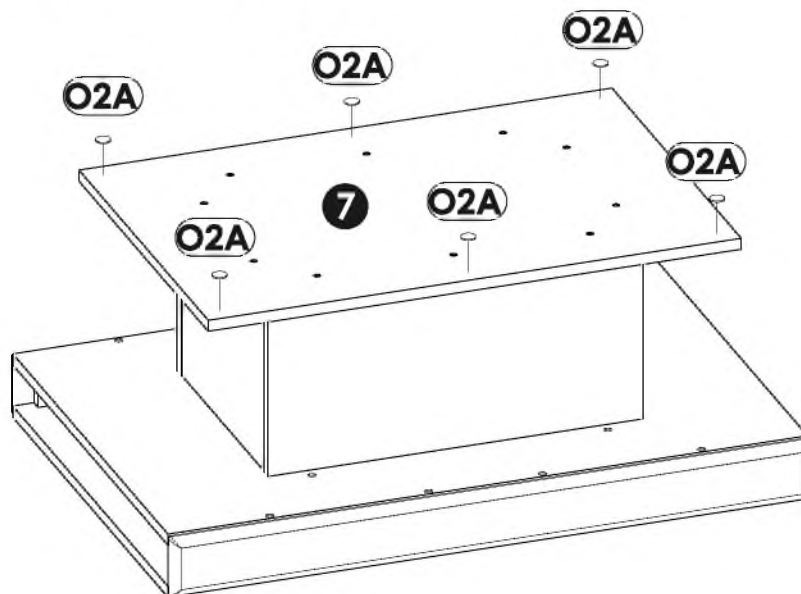
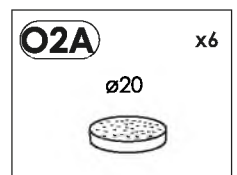
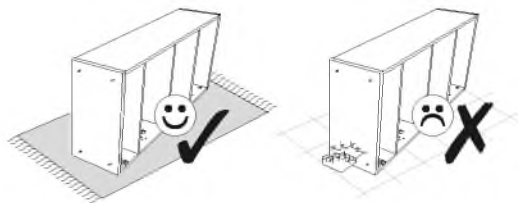
12 ▶



13▶



14▶



15▶

