

MEDIA

OFFICE

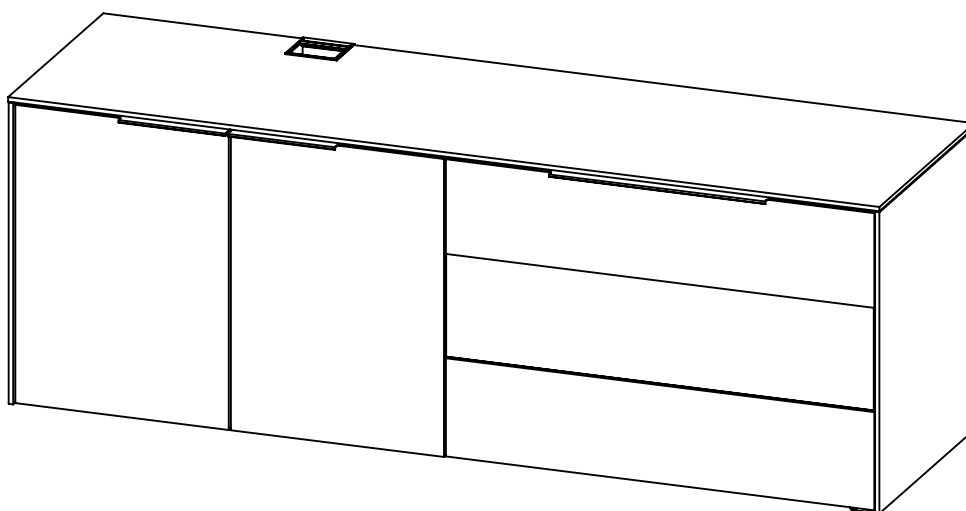
LIVING

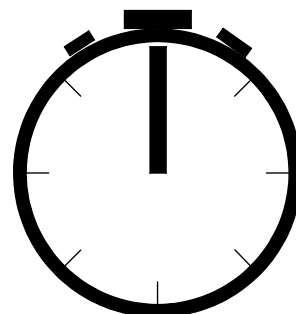
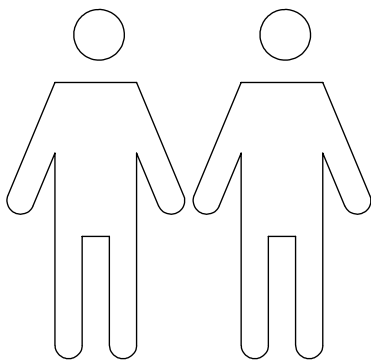
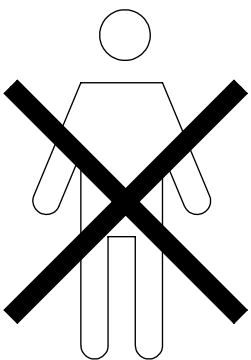
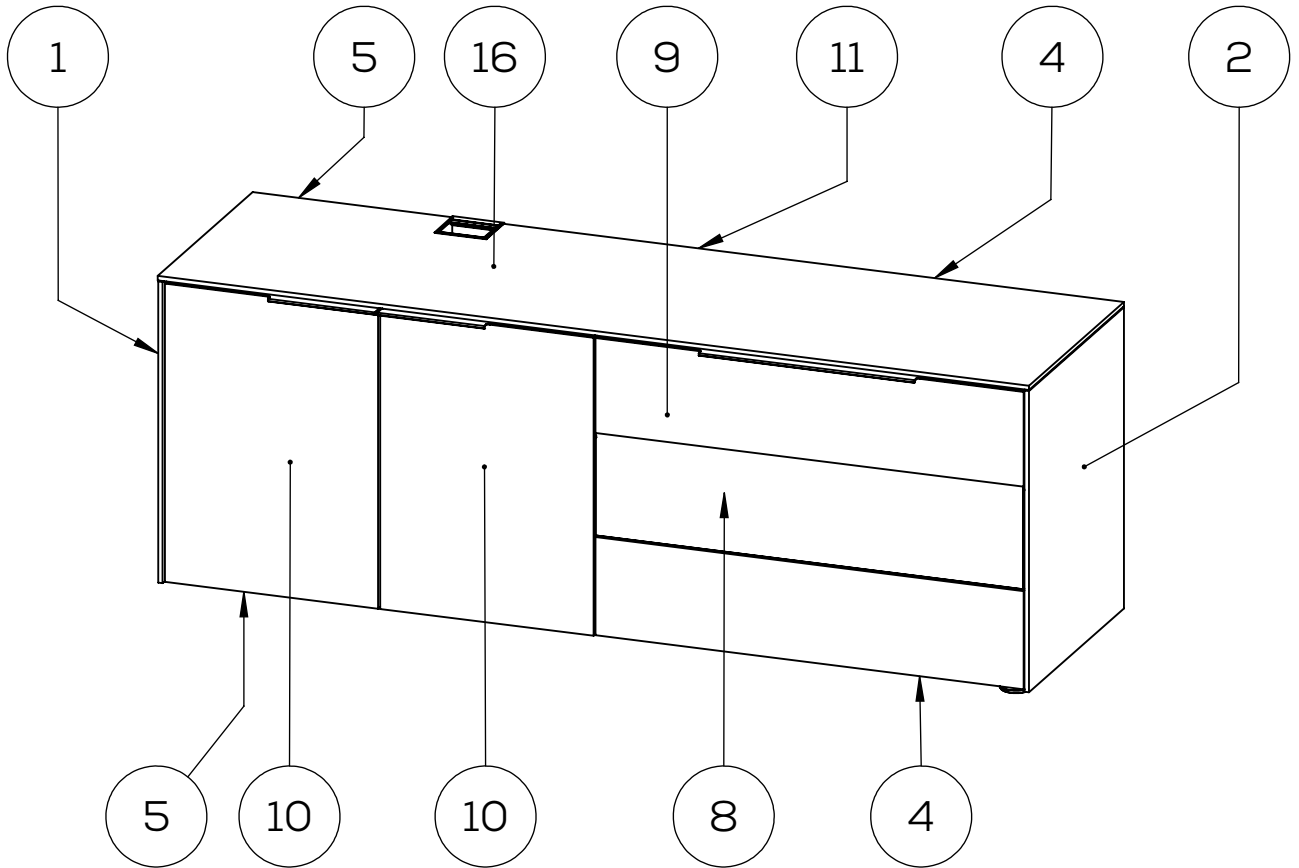
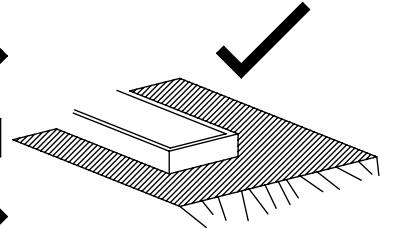
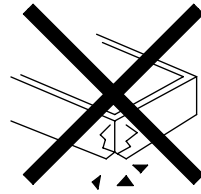
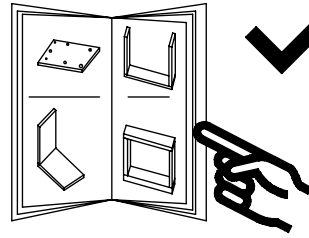
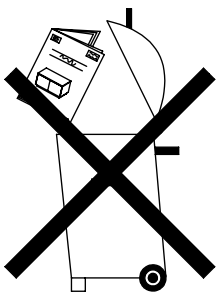
**MAJA**  
**MÖBEL**

---

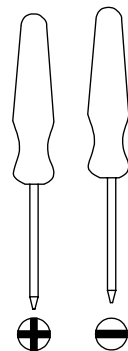
# K406

---





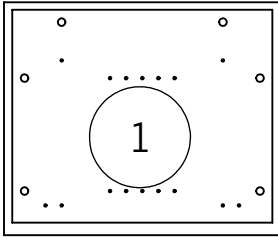
45 min



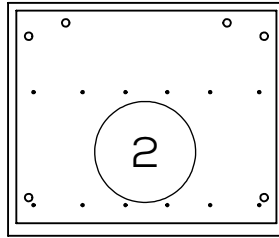
20.04.2022

1

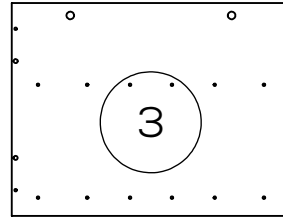
maja-moebel.de



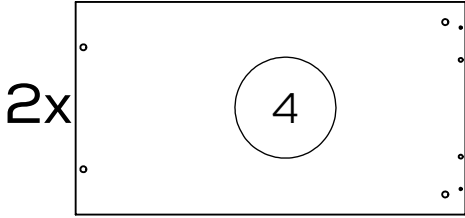
90335



90536

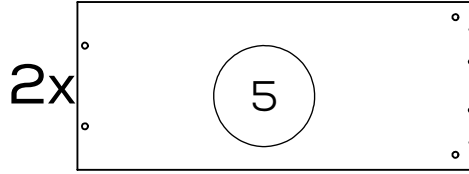


07402



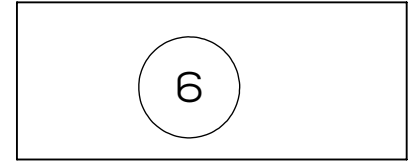
2x

14265

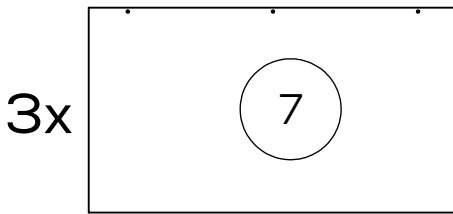


2x

14269

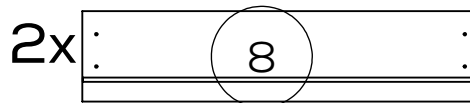


16170



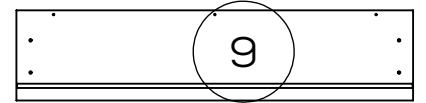
3x

19103

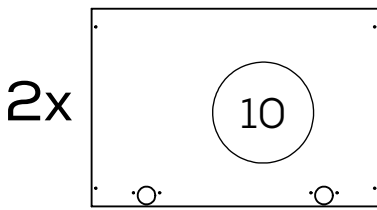


2x

20328

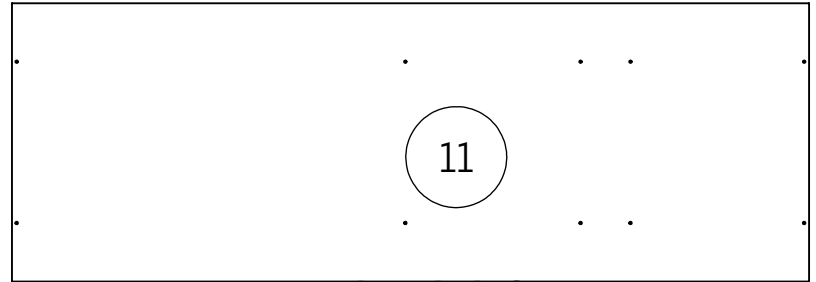


20329

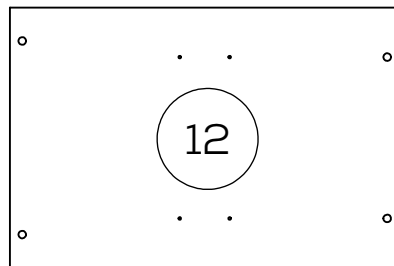


2x

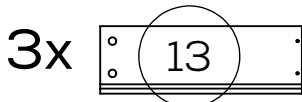
22215



25220

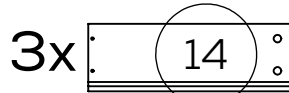


25221



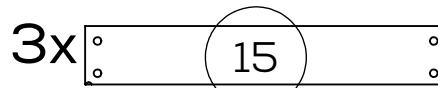
3x

31051



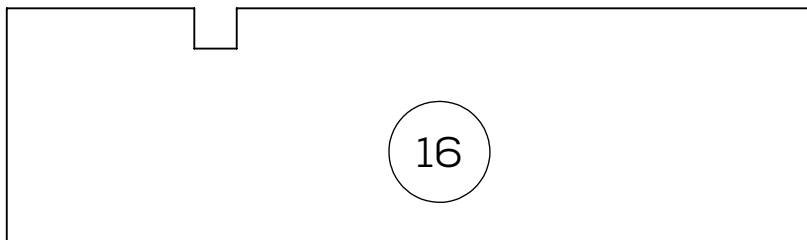
3x

32051

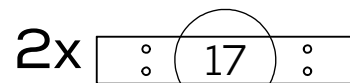


3x

33143

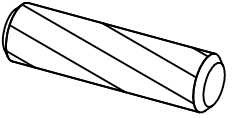

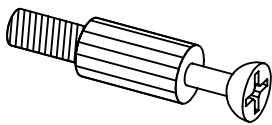
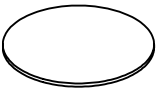
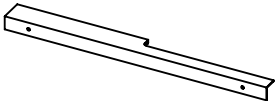
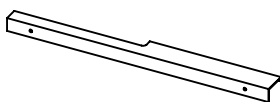
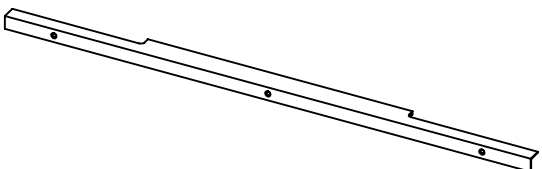
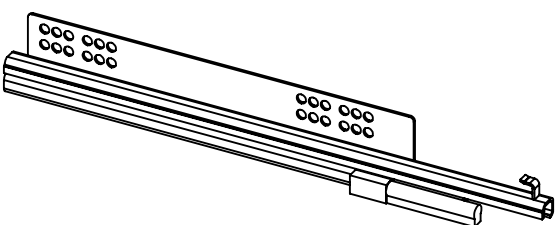
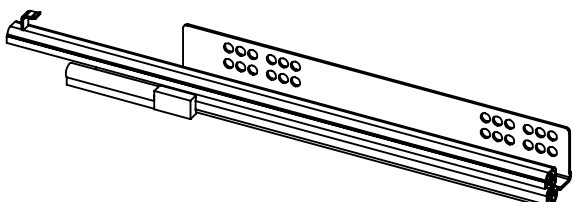
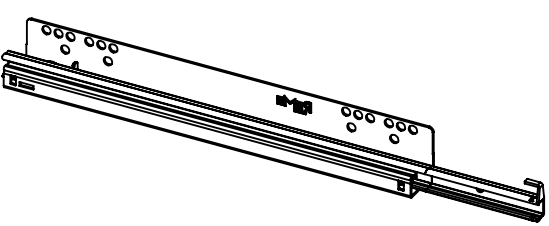
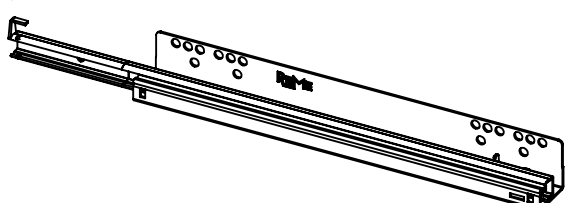
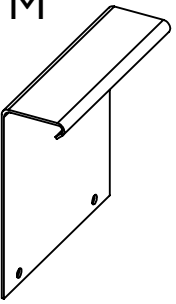
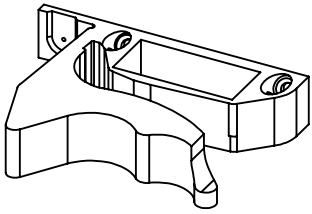
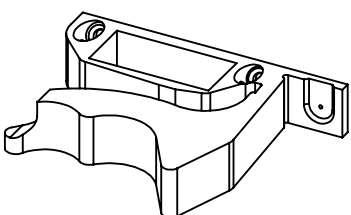

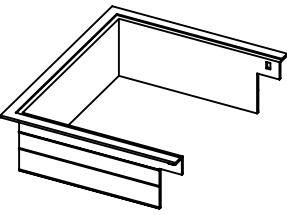
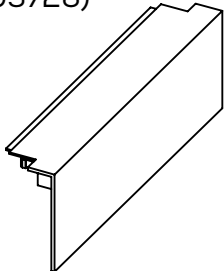

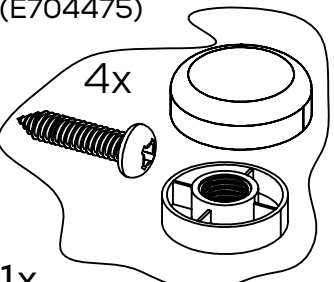


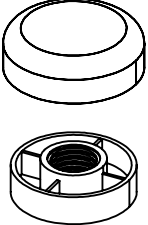


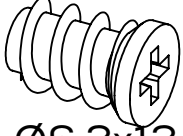
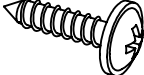
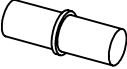
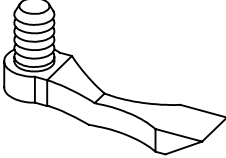
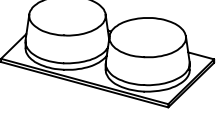


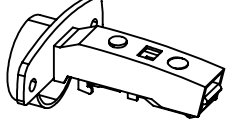
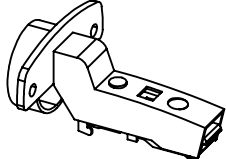
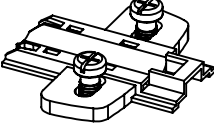
34102



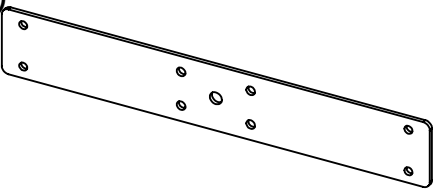
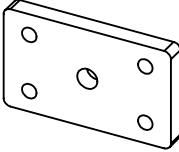
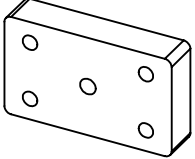
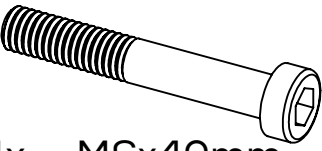
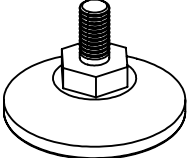
2x

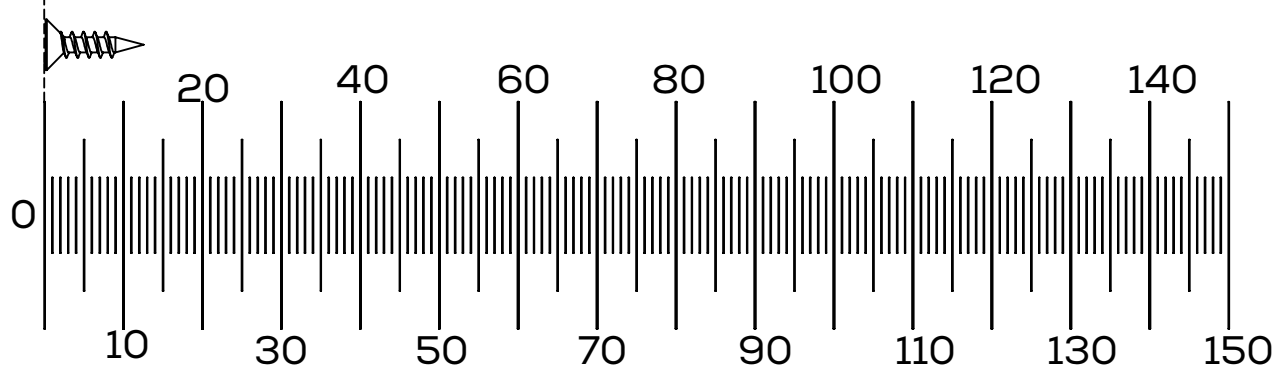
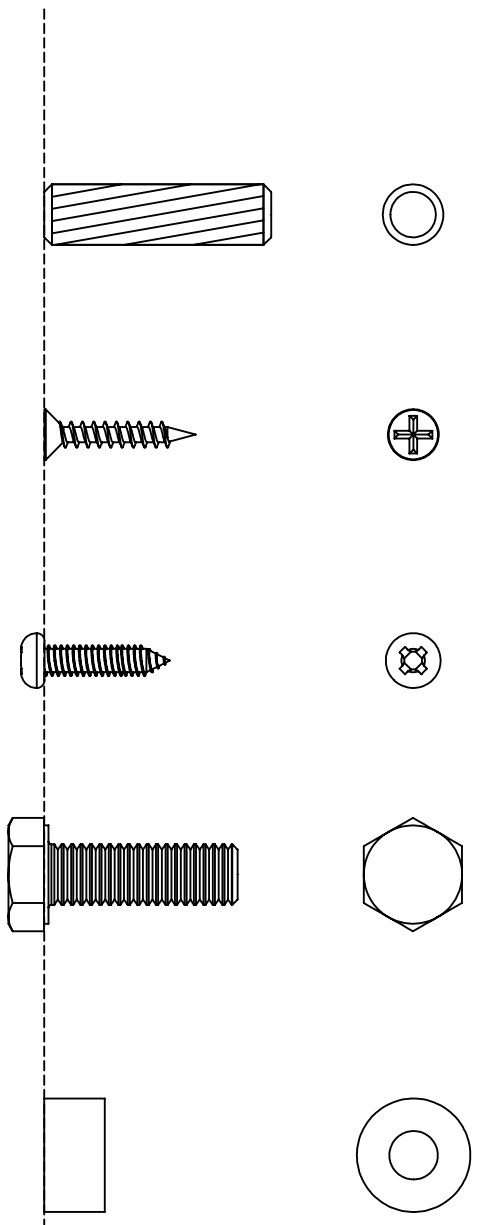
34105

<p><b>A</b> (E701000)</p>  <p><b>16x</b></p>	<p><b>B</b> (E701153)</p>  <p><b>58x</b></p>	<p><b>C</b> (E701231)</p>  <p><b>58x</b></p>	<p><b>D</b> (E706327)</p>  <p><b>8x</b></p>
<p><b>E</b> (E710370)</p>  <p><b>1x</b></p>	<p><b>F</b> (E710371)</p>  <p><b>1x</b></p>	<p><b>G</b> (E710376)</p>  <p><b>1x</b></p>	
<p><b>H</b> (E703119)</p>  <p><b>1x</b></p>		<p><b>J</b> (E703120)</p>  <p><b>1x</b></p>	
<p><b>K</b> (E703117)</p>  <p><b>2x</b></p>		<p><b>L</b> (E703118)</p>  <p><b>2x</b></p>	
<p><b>M</b> (E800134)</p>  <p><b>2x</b></p>	<p><b>N</b> (E703401)</p>  <p><b>1x</b></p>	<p><b>P</b> (E703402)</p>  <p><b>1x</b></p>	<p><b>R</b> (E709792)</p>  <p><b>4x</b></p>
<p><b>V</b> (E709724)</p>  <p><b>1x</b></p>	<p><b>W</b> (E709726)</p>  <p><b>1x</b></p>	<p><b>X</b> (E709727)</p>  <p><b>1x</b></p>	<p><b>Z</b> (E704475)</p>  <p><b>4x</b></p> <p><b>1x</b></p>

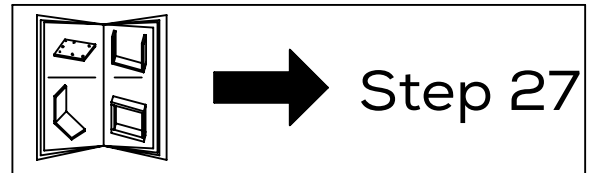
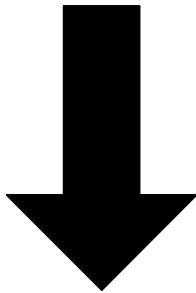
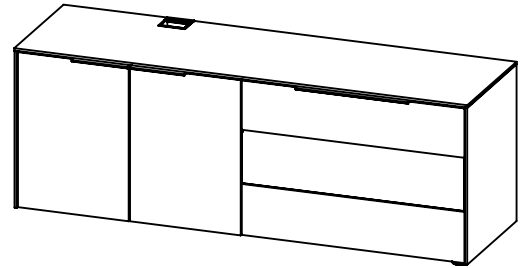
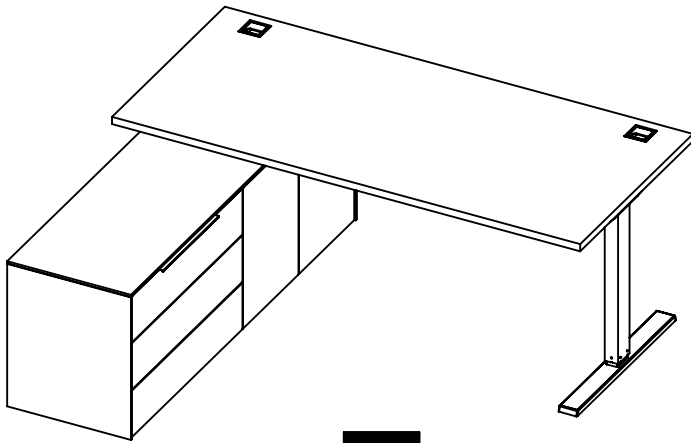
<p>a (E704476)</p>  <p>2x</p>	<p>b (E700000)</p>  <p>4x Ø3,0x12</p>	<p>e (E700000)</p>  <p>8x Ø4,0x15</p>	<p>g (E700140)</p>  <p>12x Ø6,3x13</p>
<p>h (E700060)</p>  <p>9x Ø3 x 30</p>	<p>m (E702004)</p>  <p>4x</p>	<p>n (E703408)</p>  <p>4x</p>	<p>p (E706310)</p>  <p>2x</p>
<p>q (E700020)</p>  <p>8x Ø3,5x13</p>	<p>r (E700020)</p>  <p>7x Ø3,0x12</p>	<p>s (E705044)</p>  <p>2x</p>	<p>t (E705046)</p>  <p>2x</p>
<p>w (E705074)</p>  <p>4x</p>			

## K394

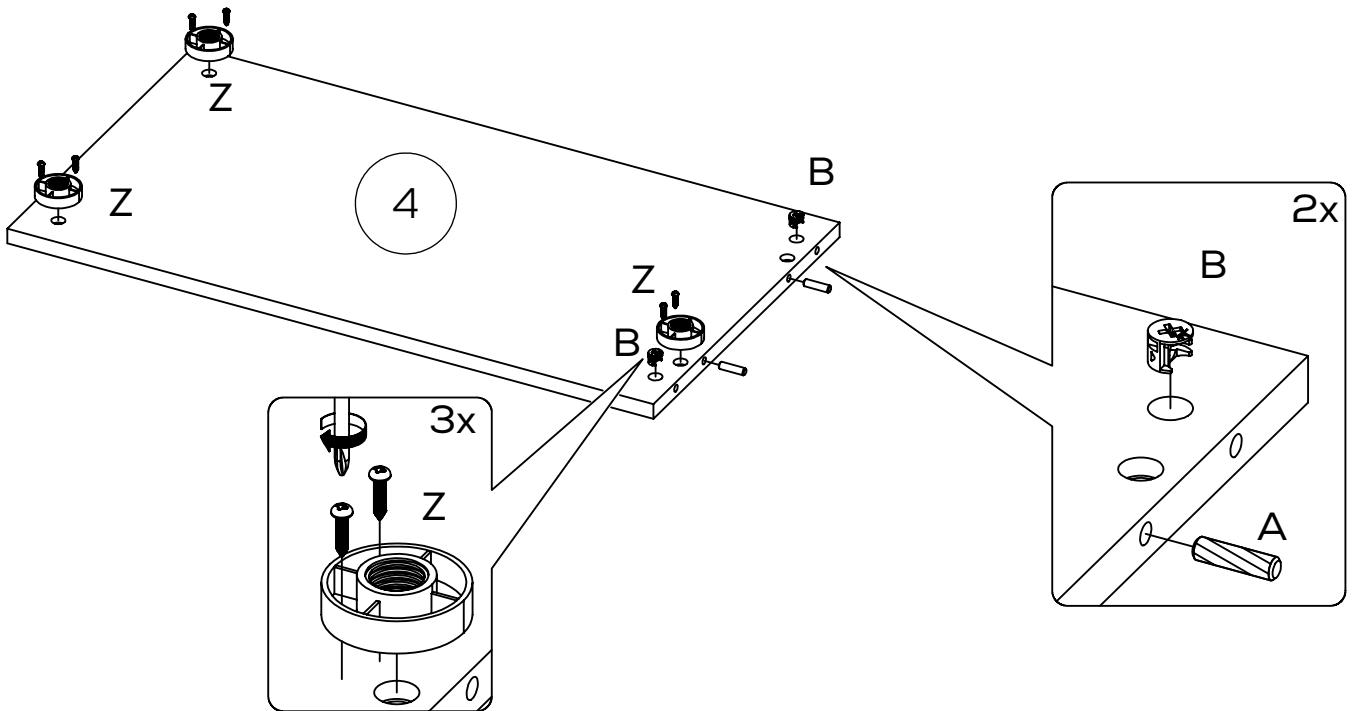
<p>(E800202)</p>  <p>1x 320 x 50 x 3mm</p>	<p>(E800203)</p>  <p>1x 8mm</p>	<p>(E800204)</p>  <p>1x 8mm</p>	
<p>(E700520)</p>  <p>4x M6x40mm</p>	<p>(E704319)</p>  <p>1x 48mm</p>		



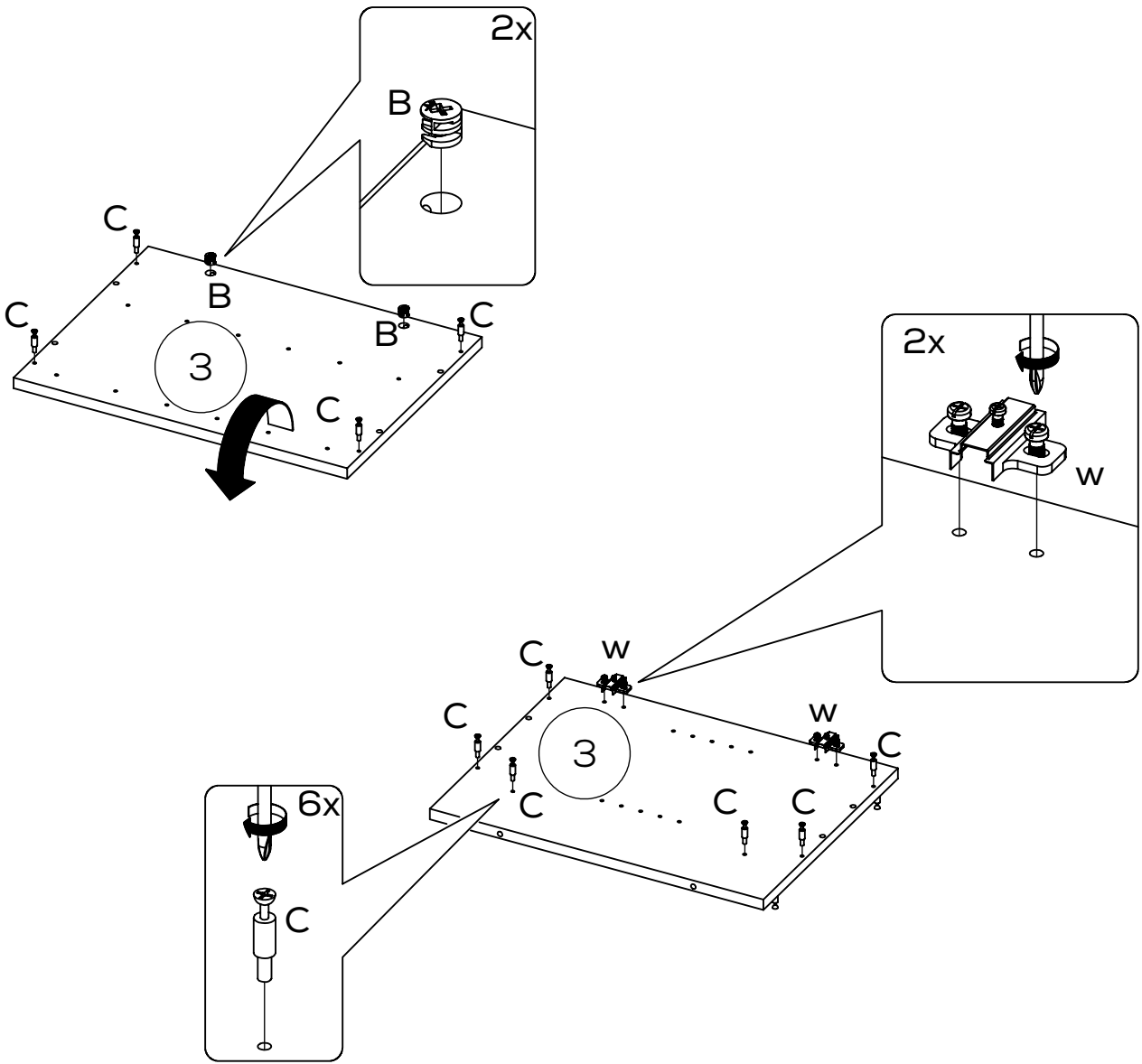
1



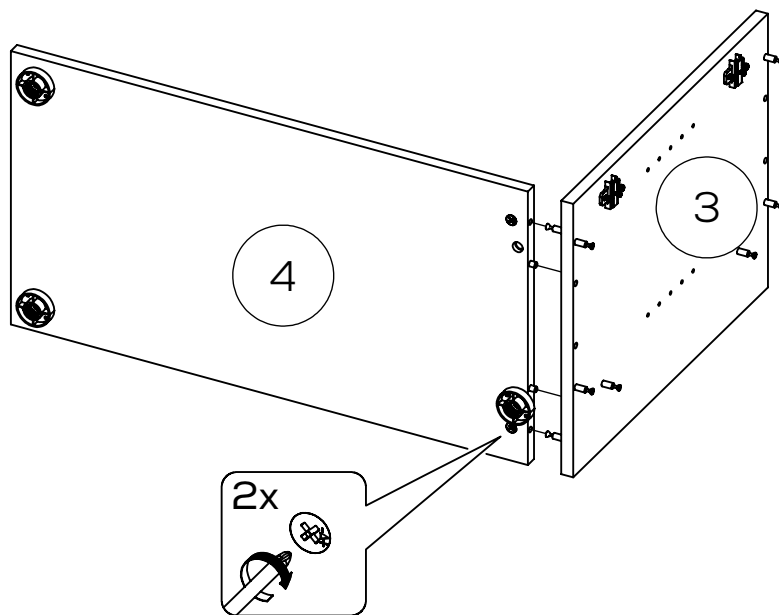
2



3

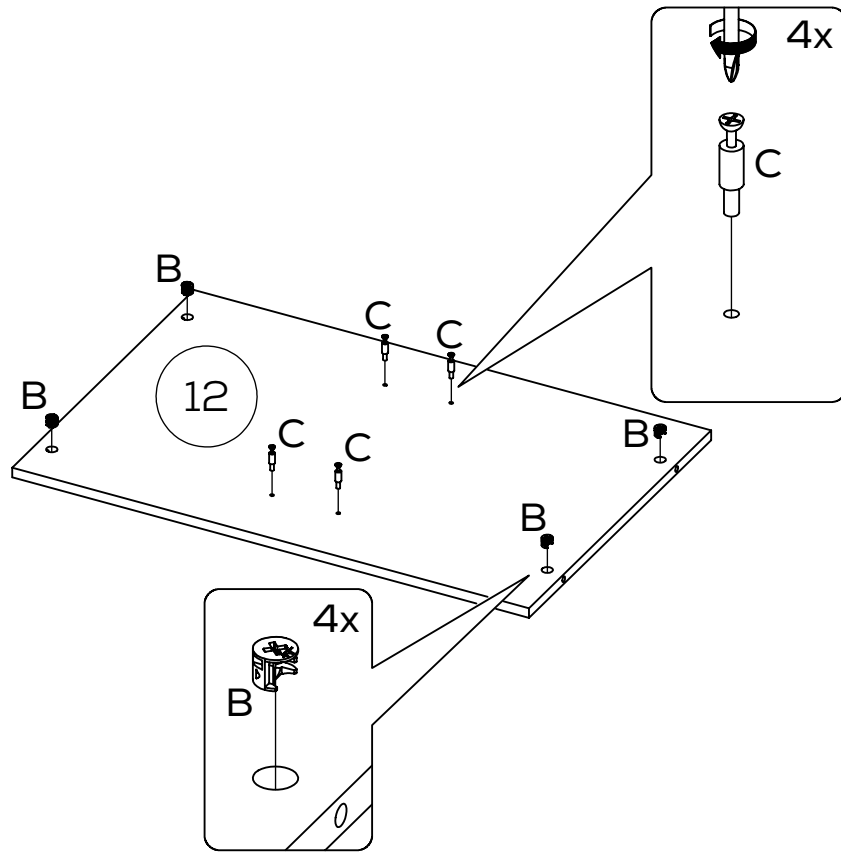


4



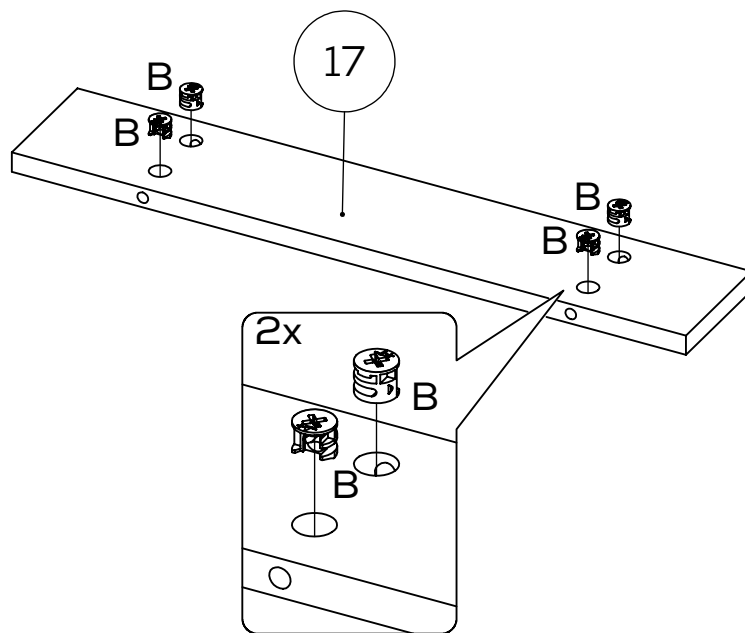


5

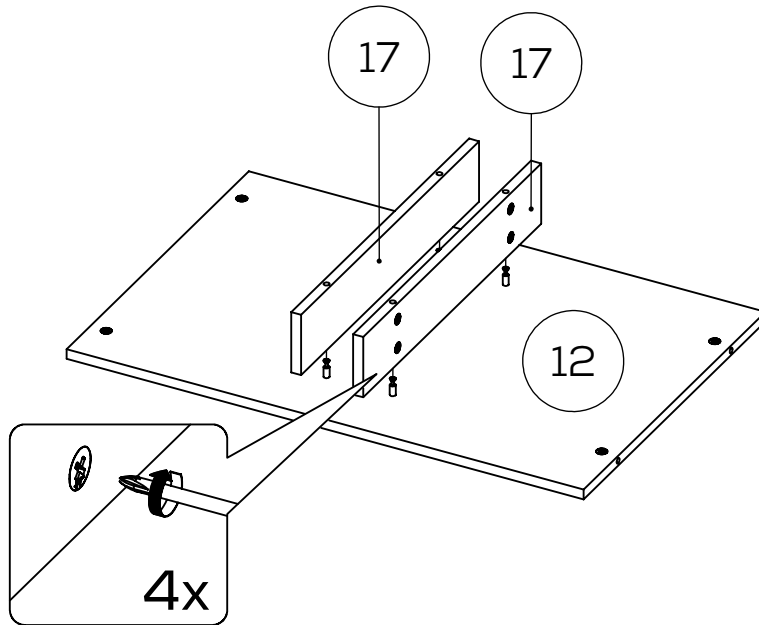


6

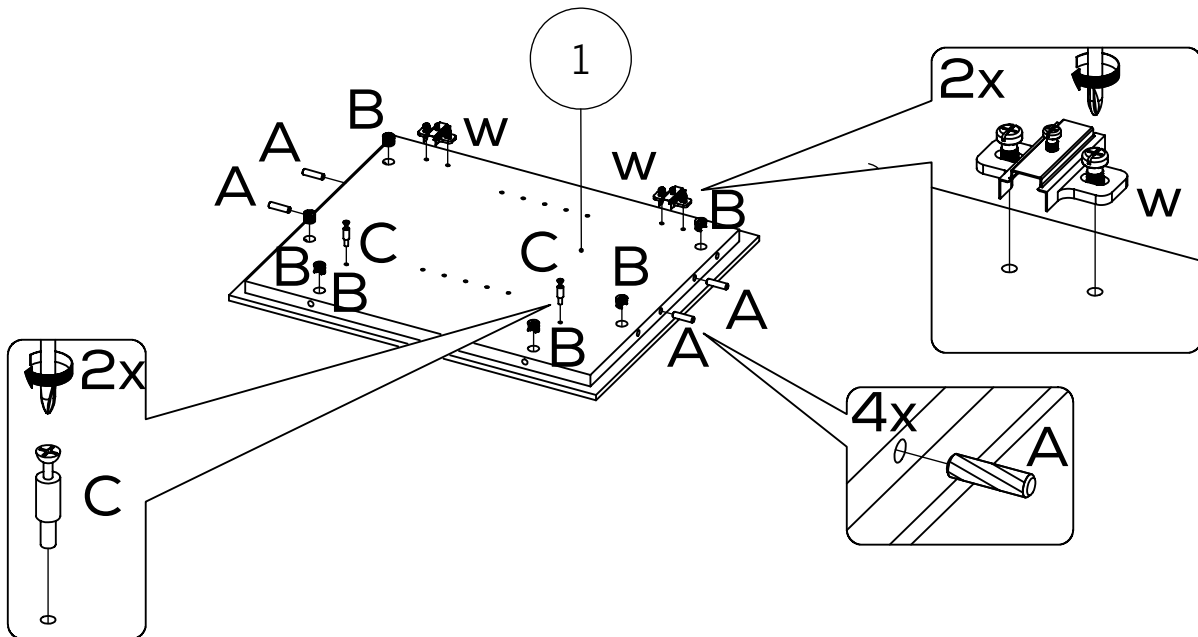
2x



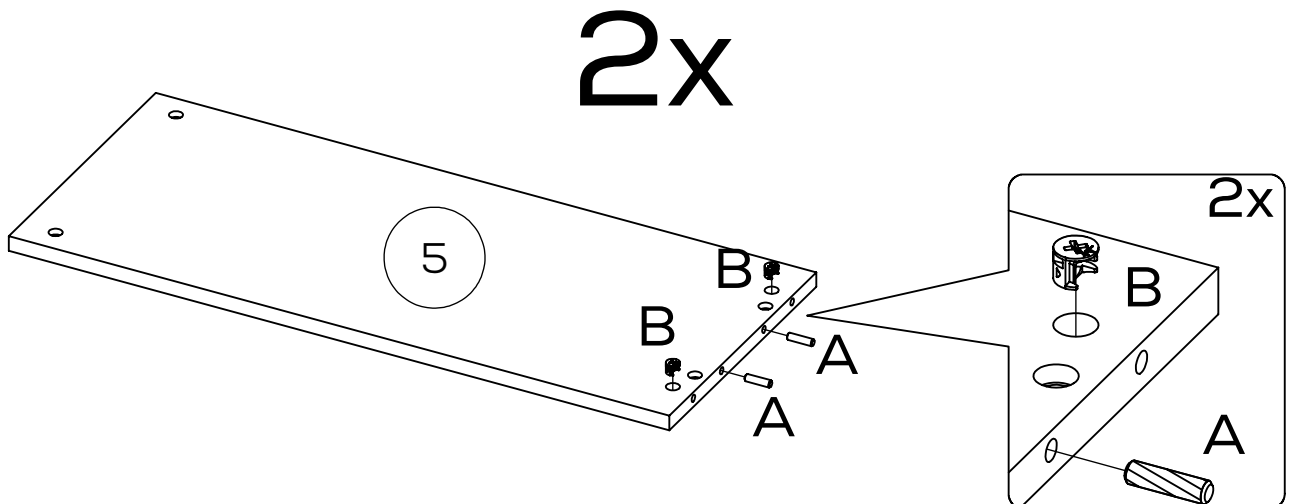
7



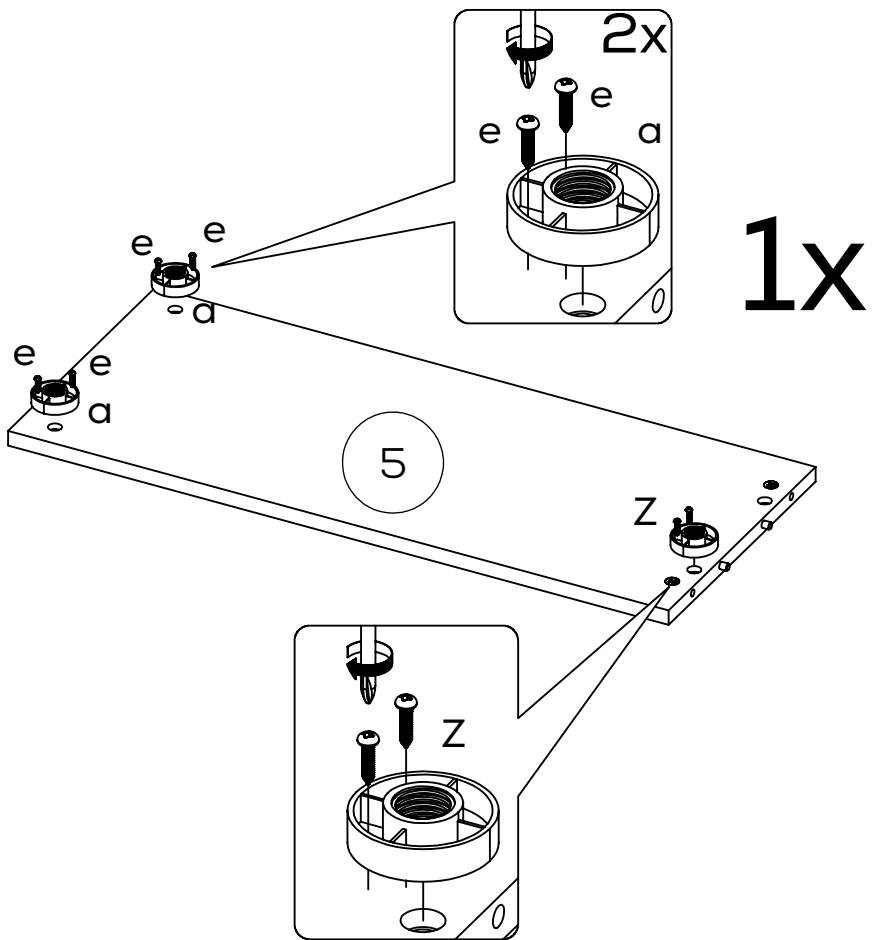
8



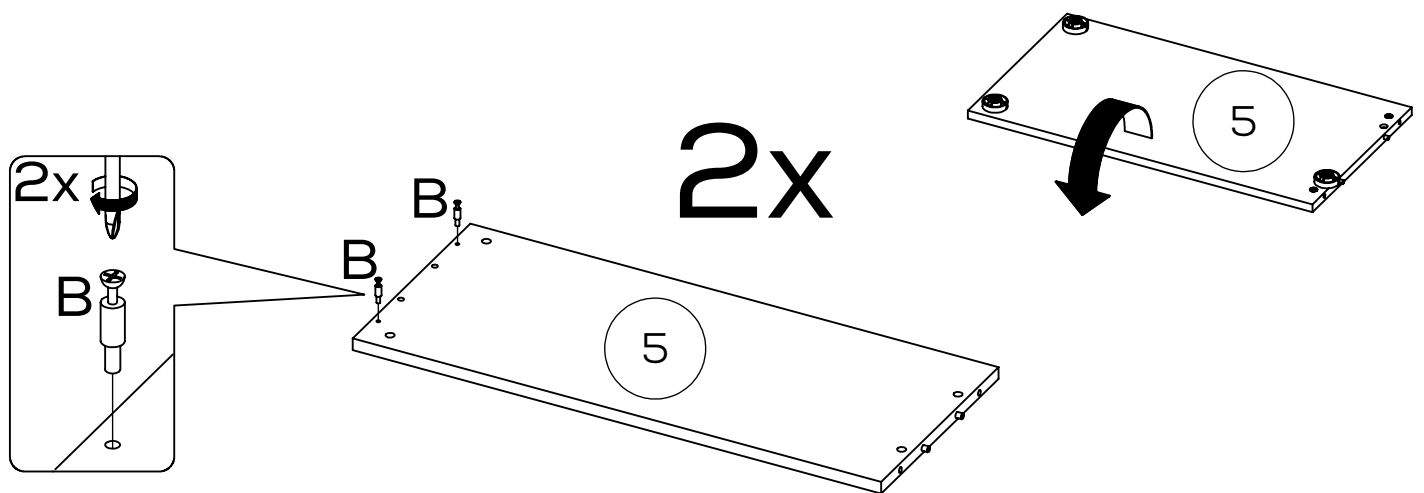
9



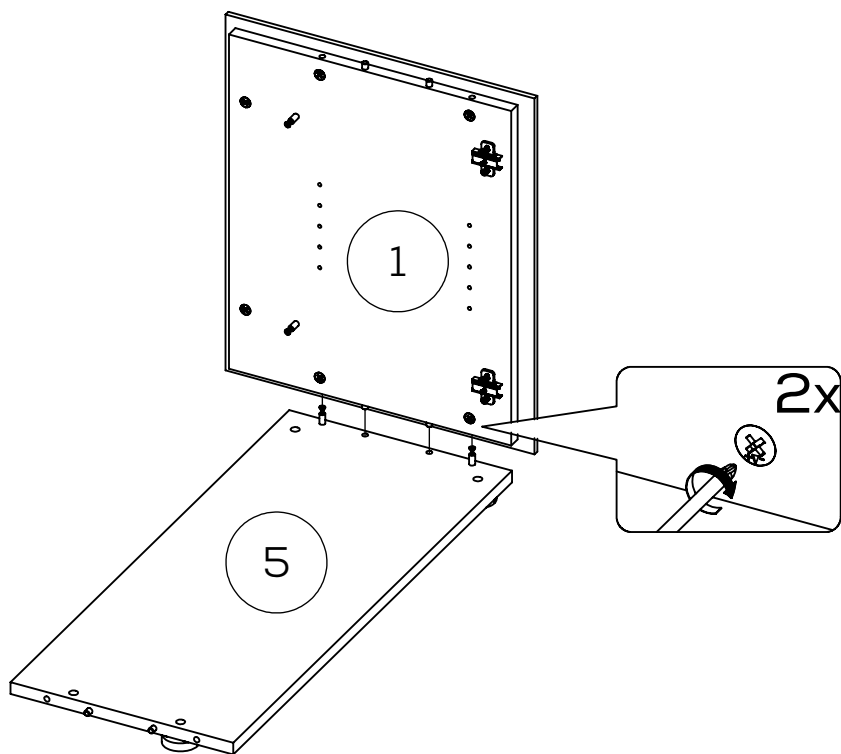
10



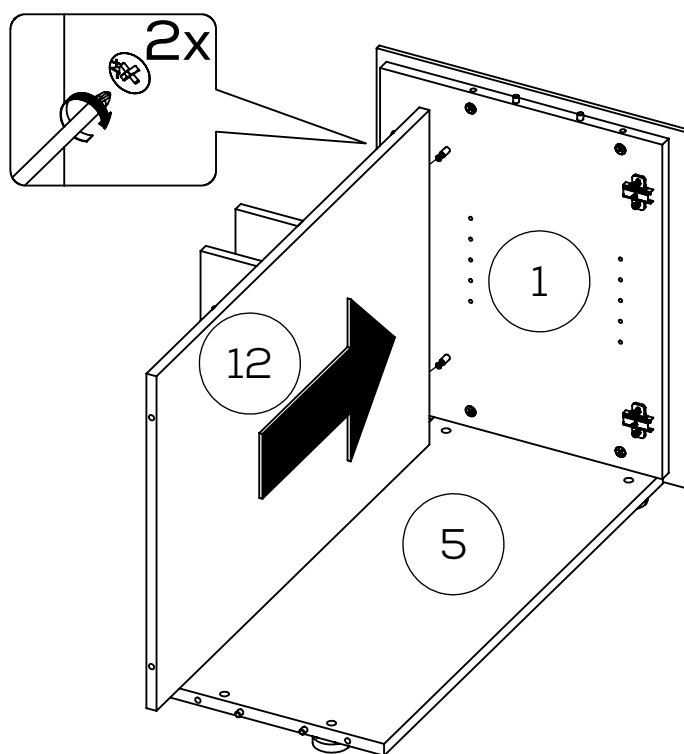
11



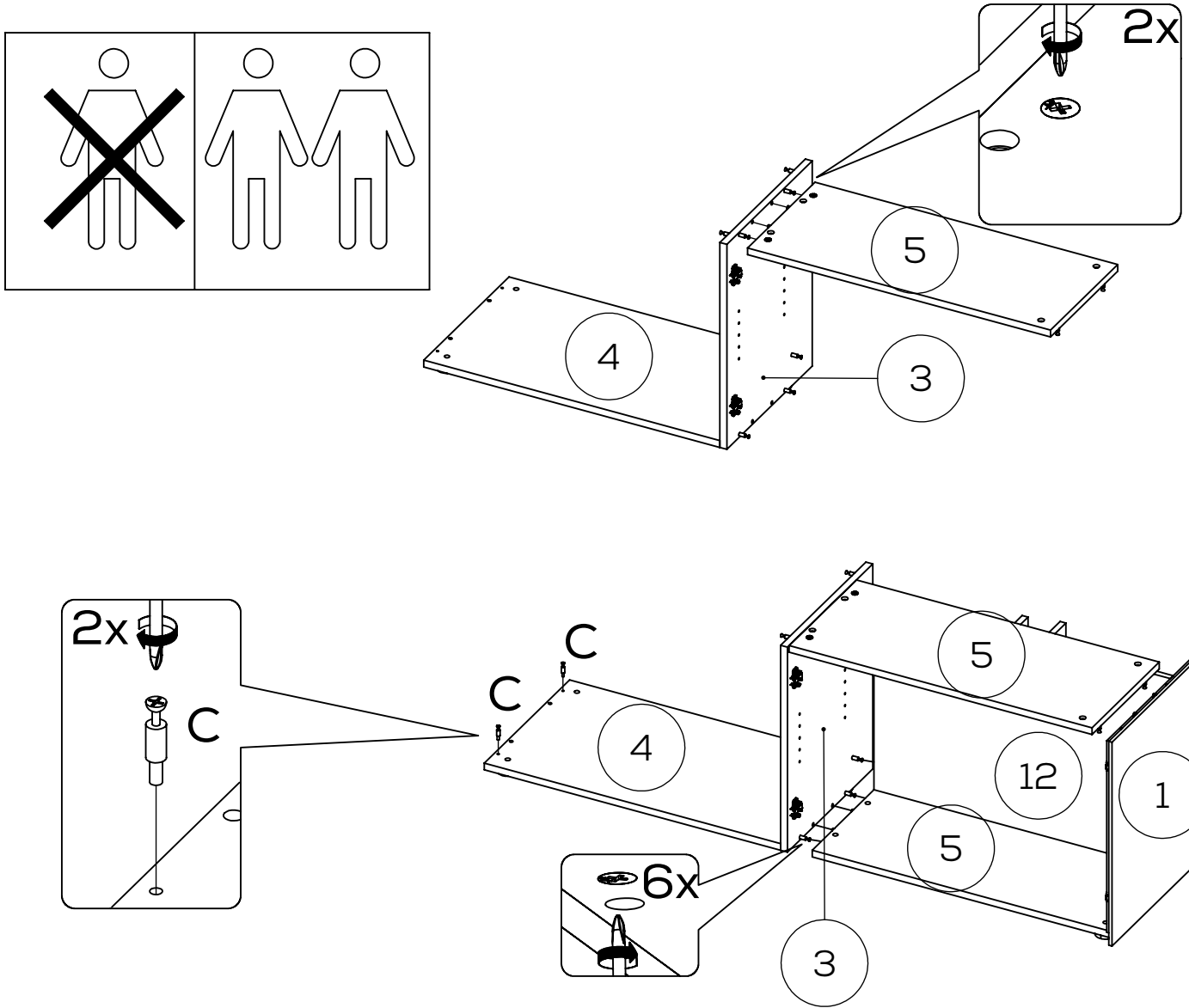
12



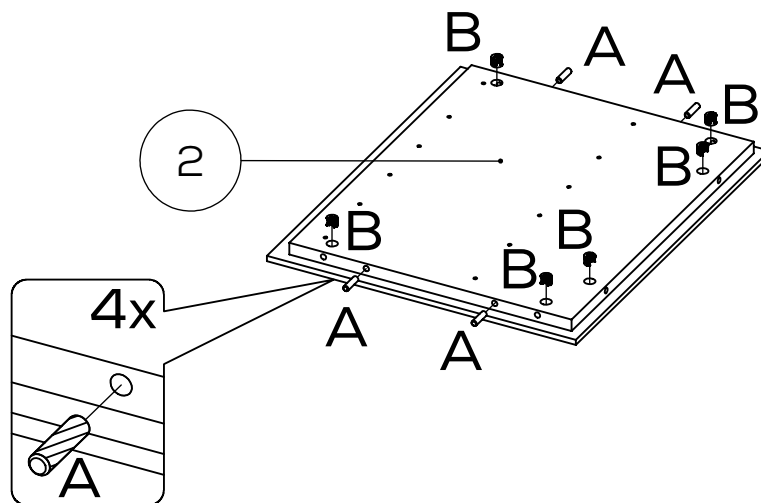
13



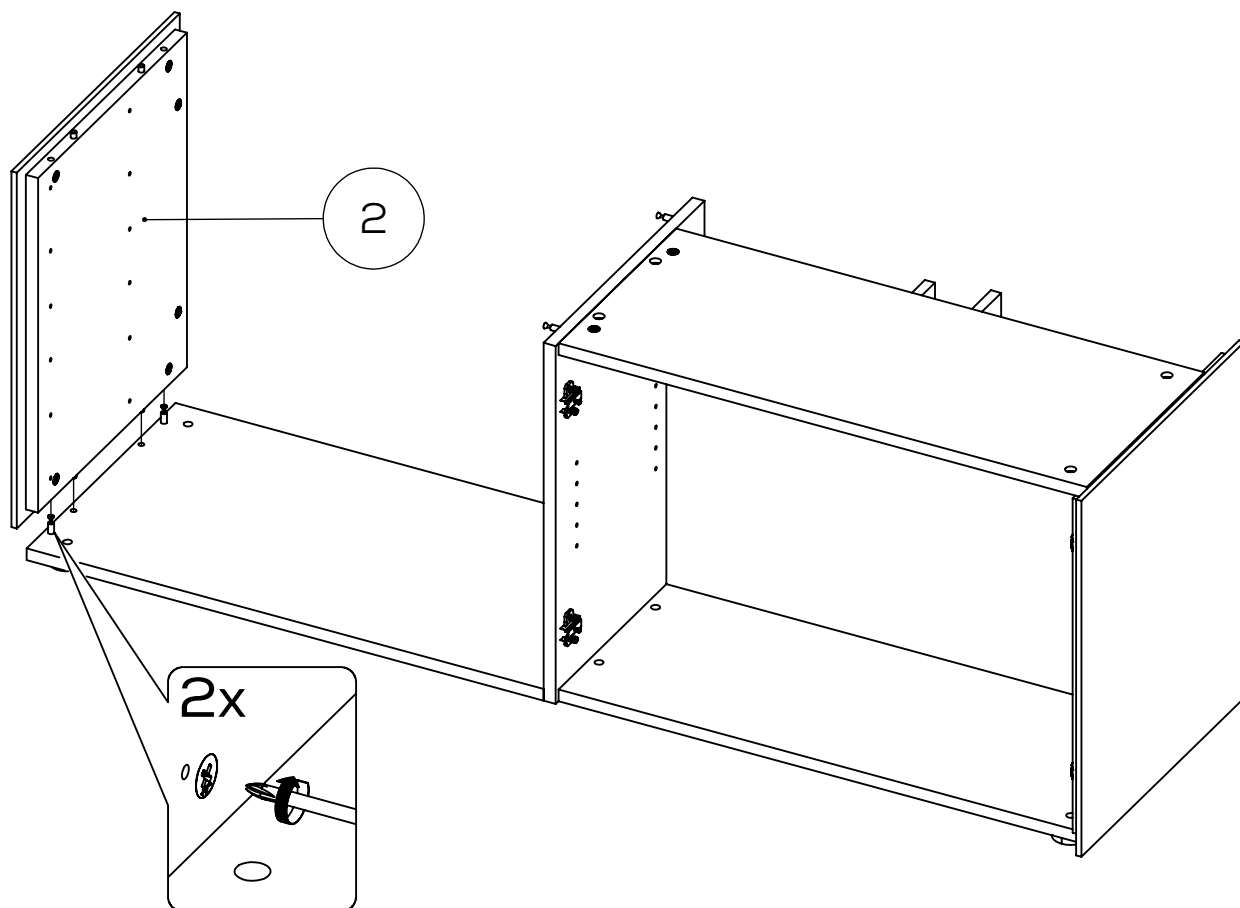
14



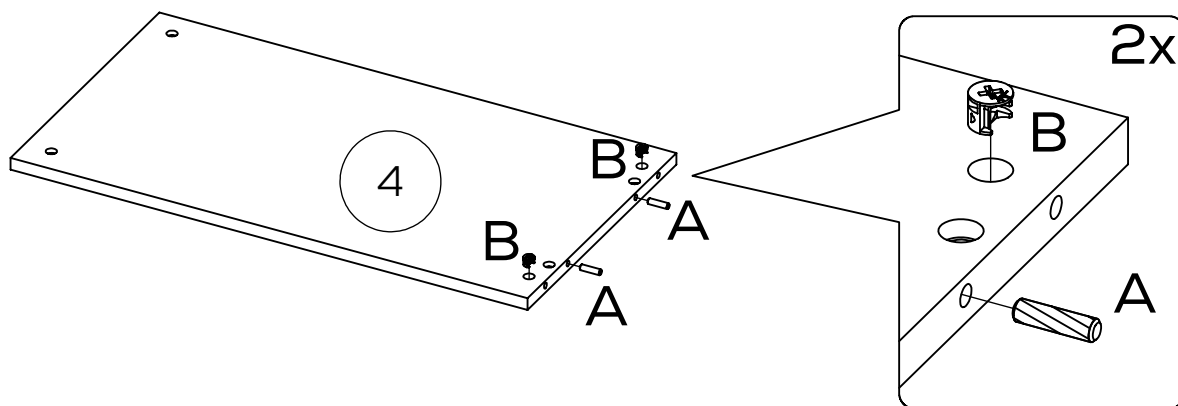
15



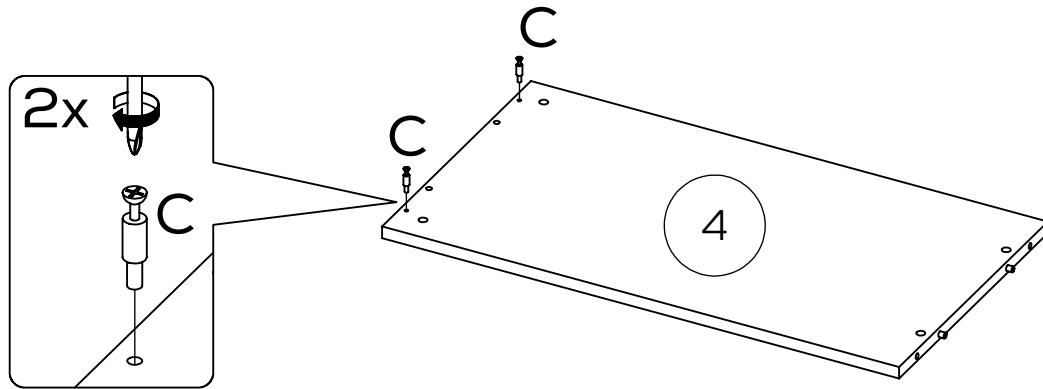
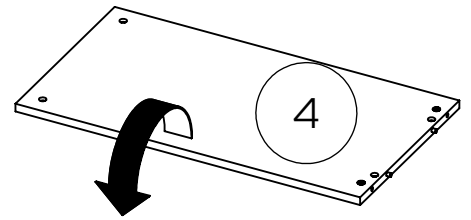
16



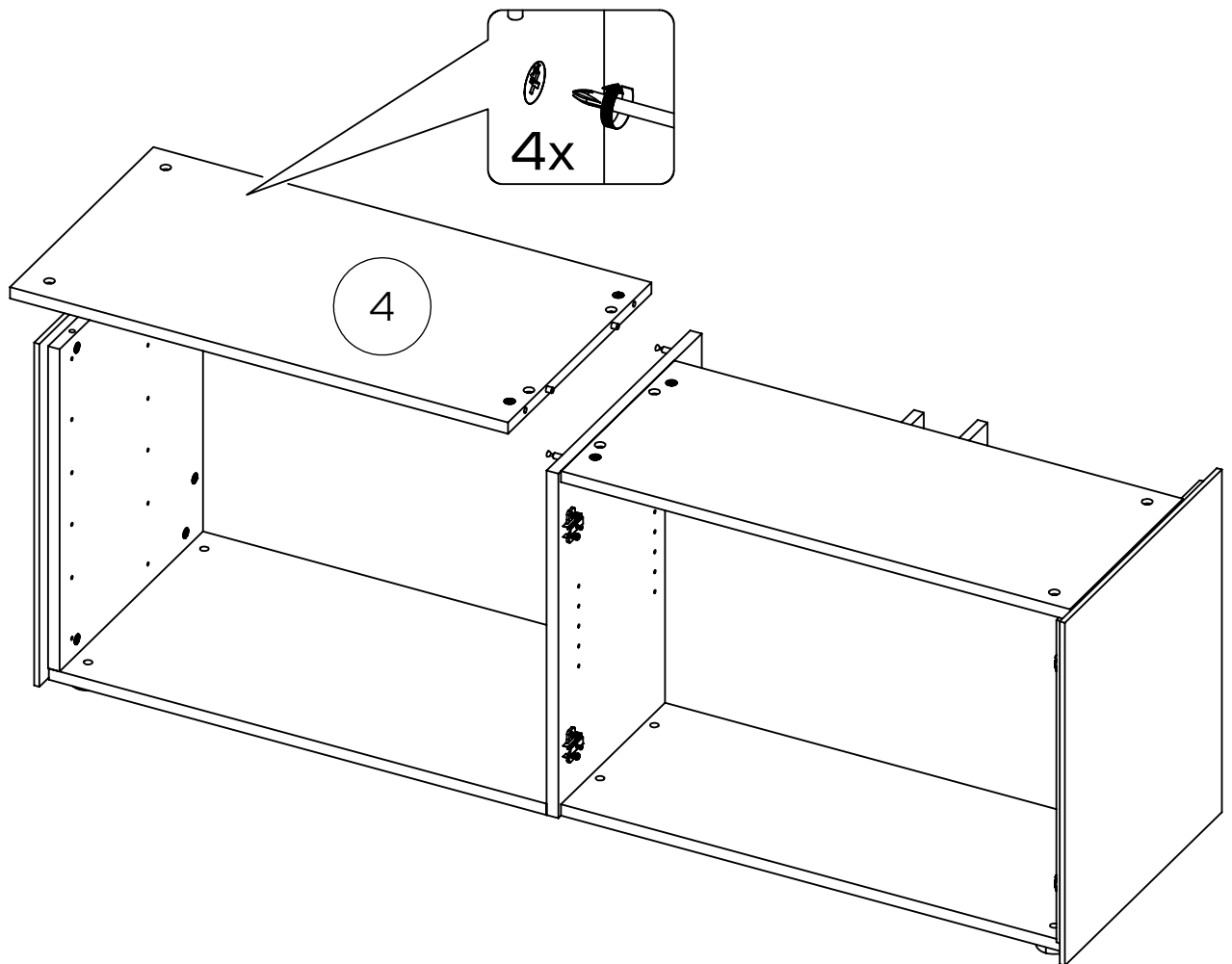
17



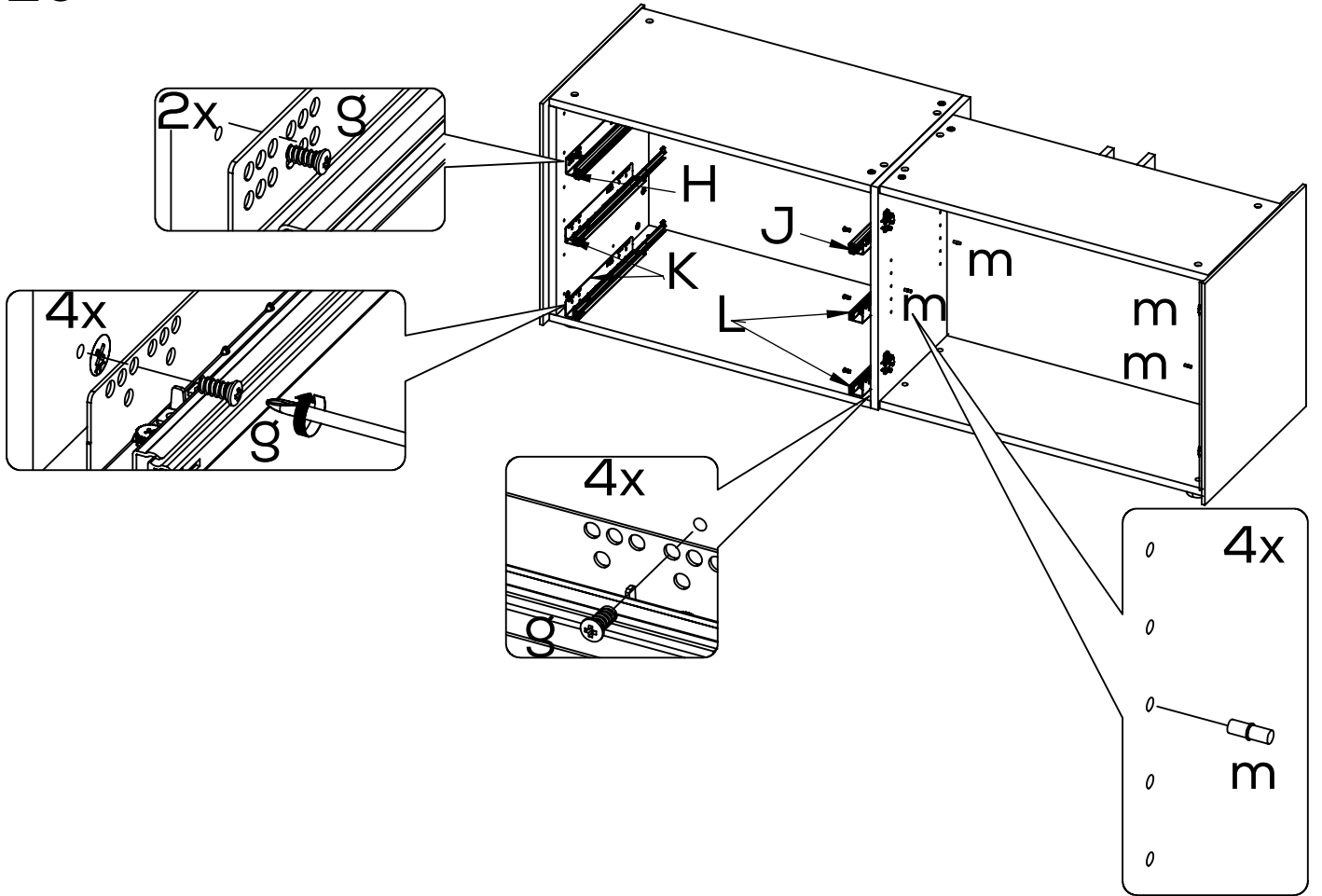
18



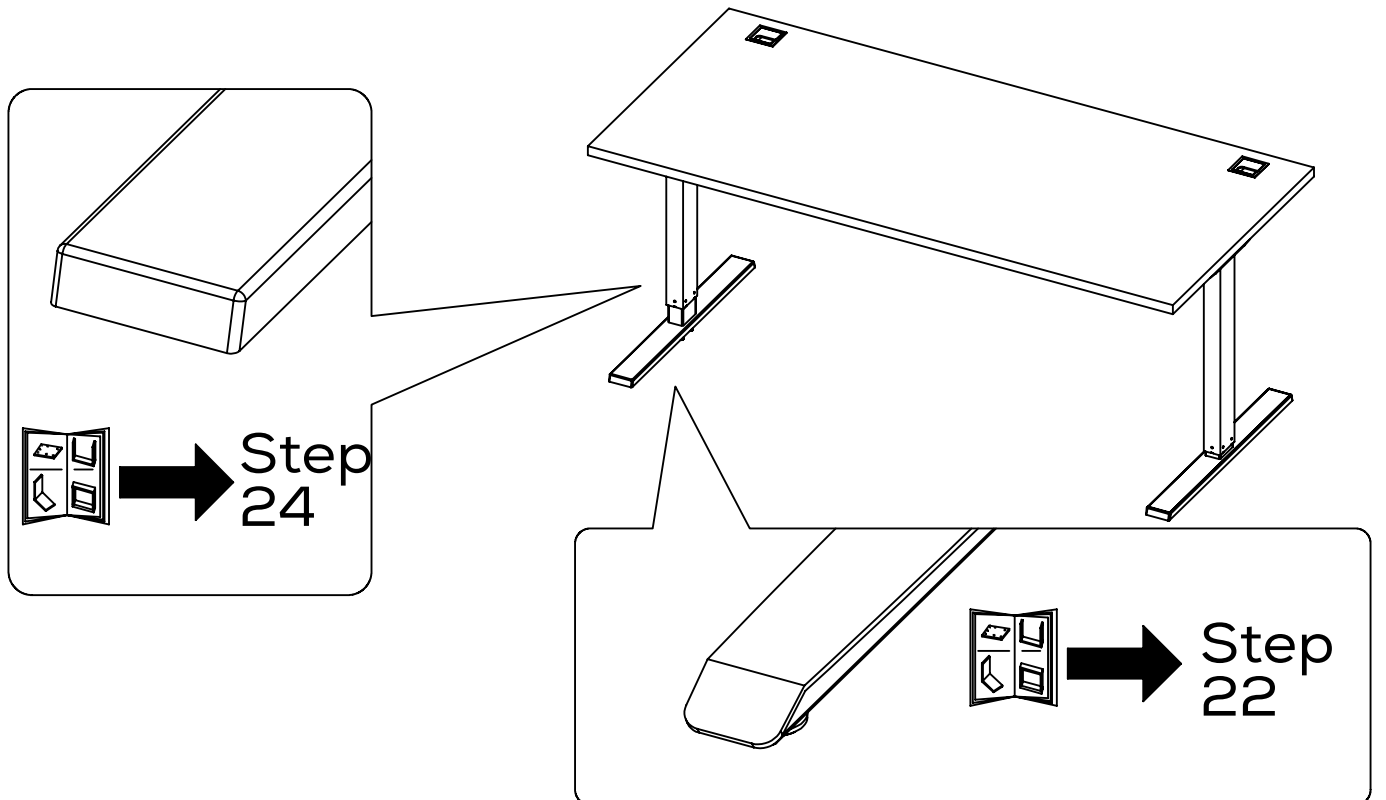
19



20

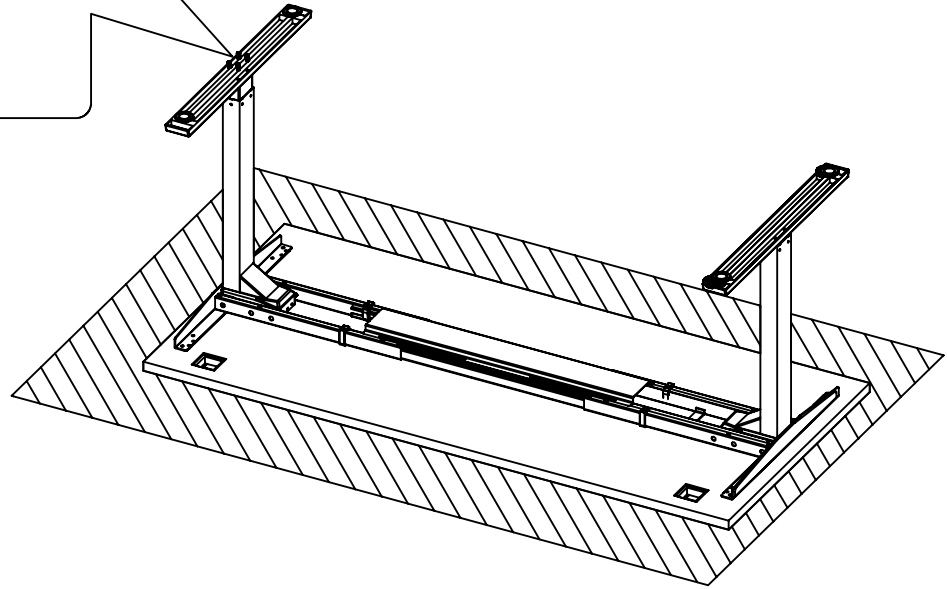
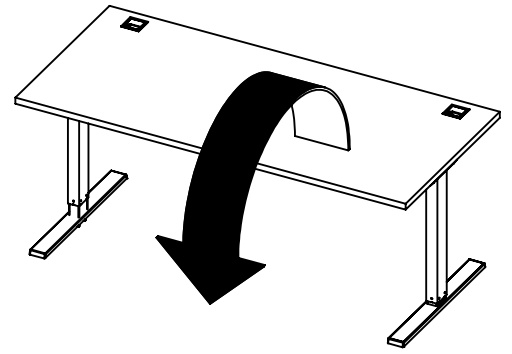
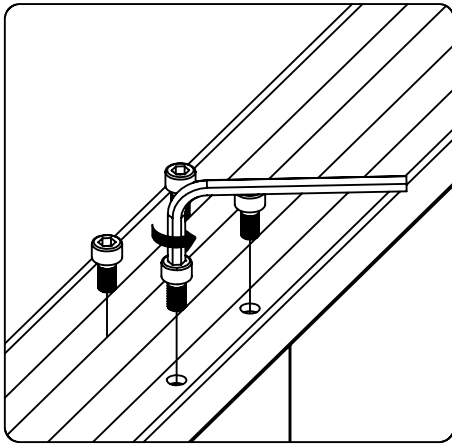


21

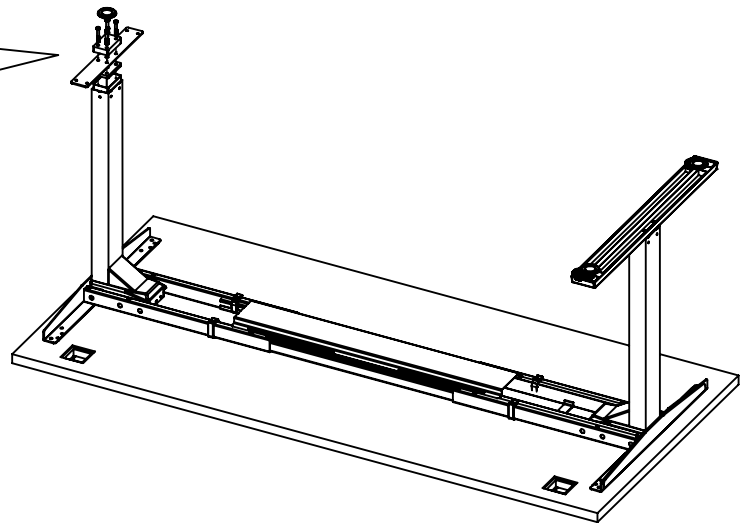
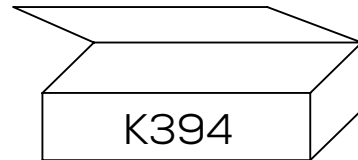
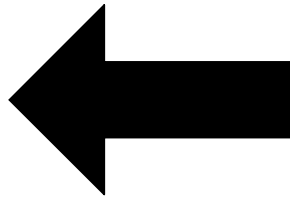
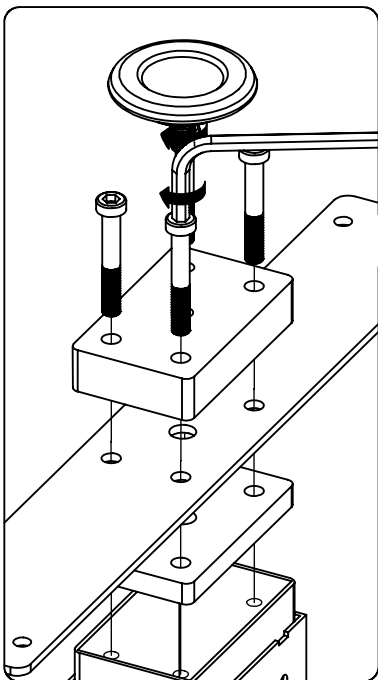




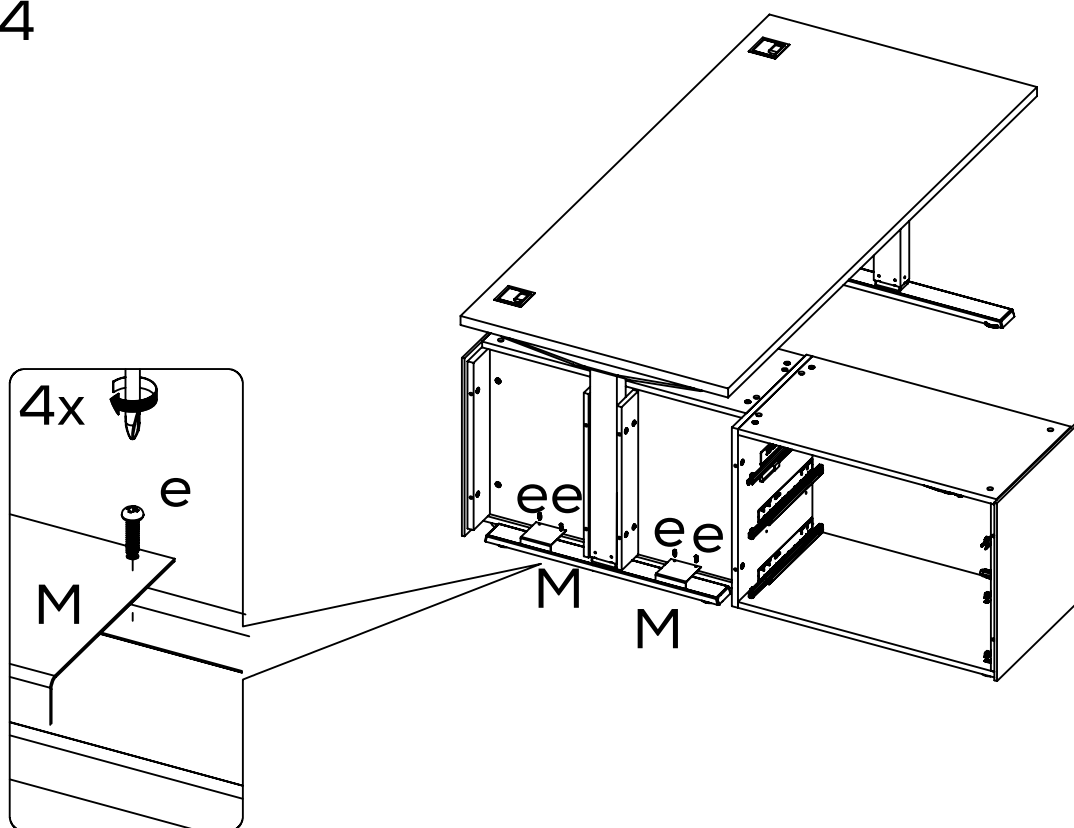
22



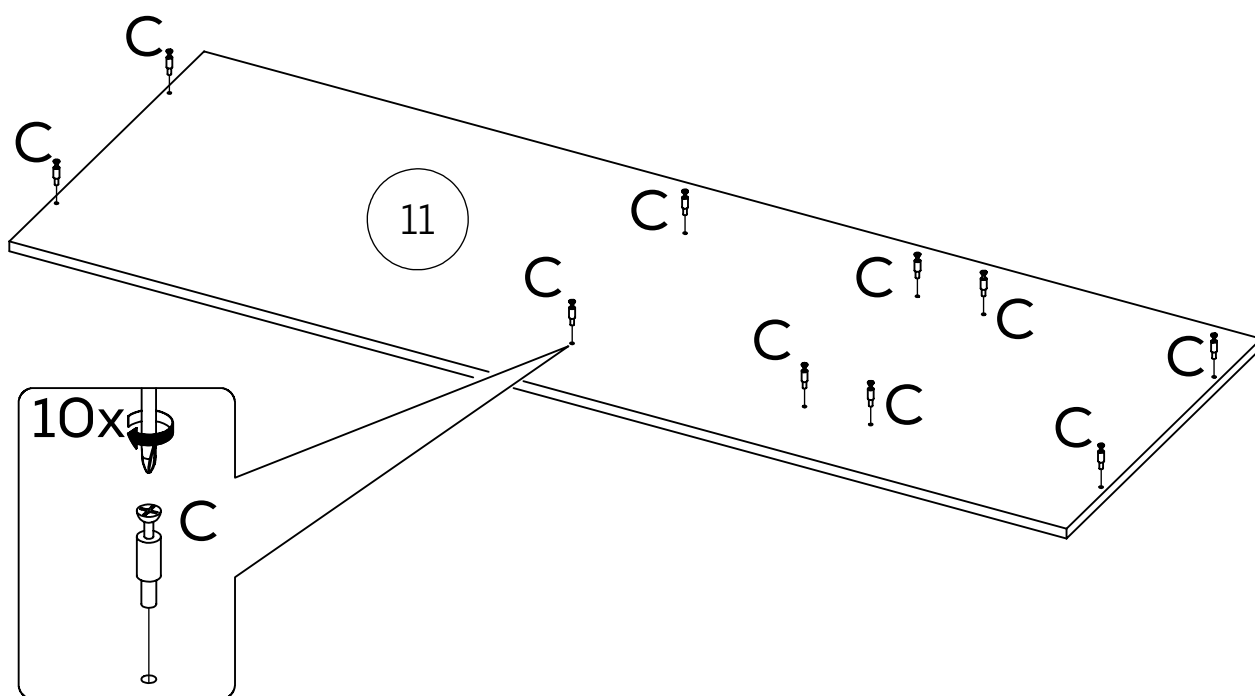
23

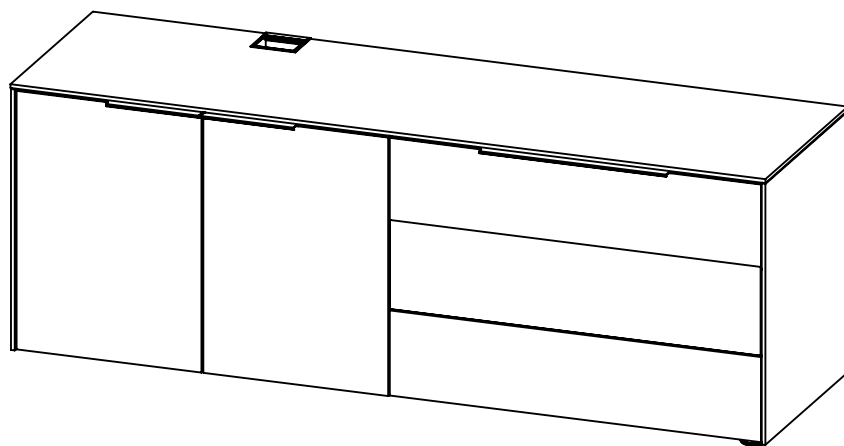
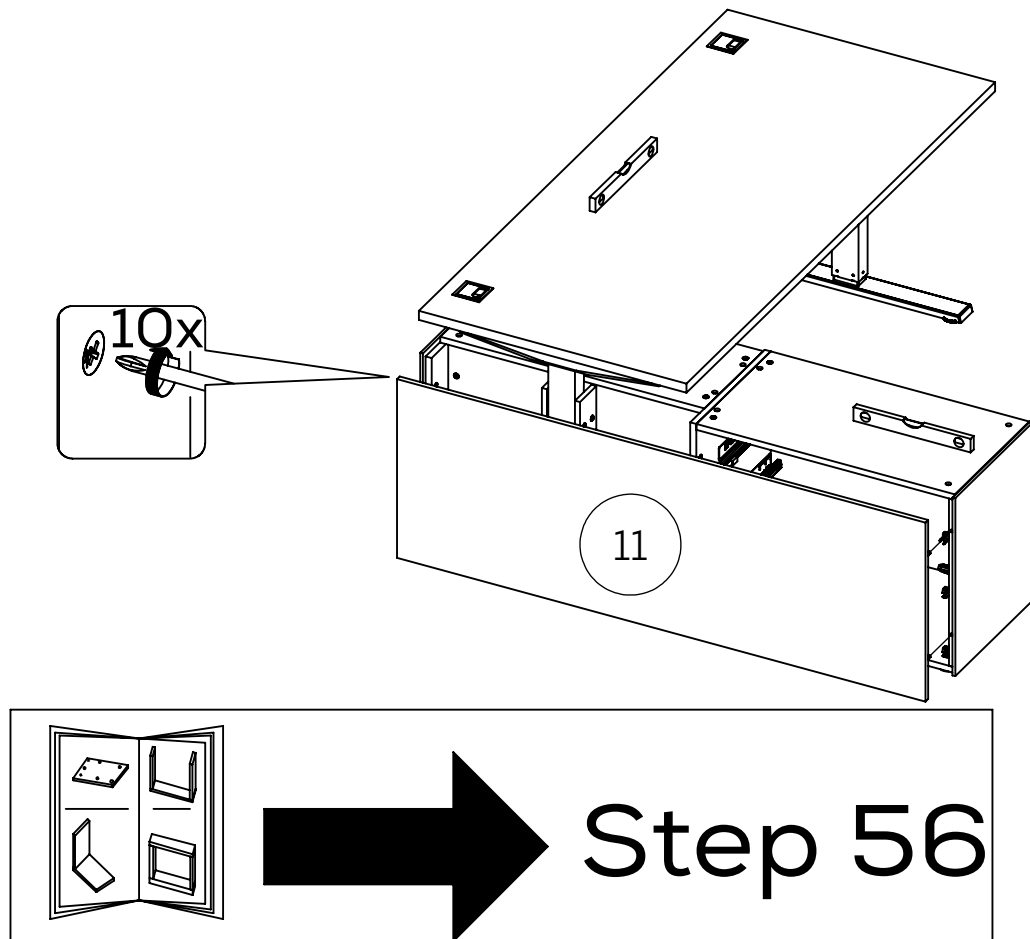


24

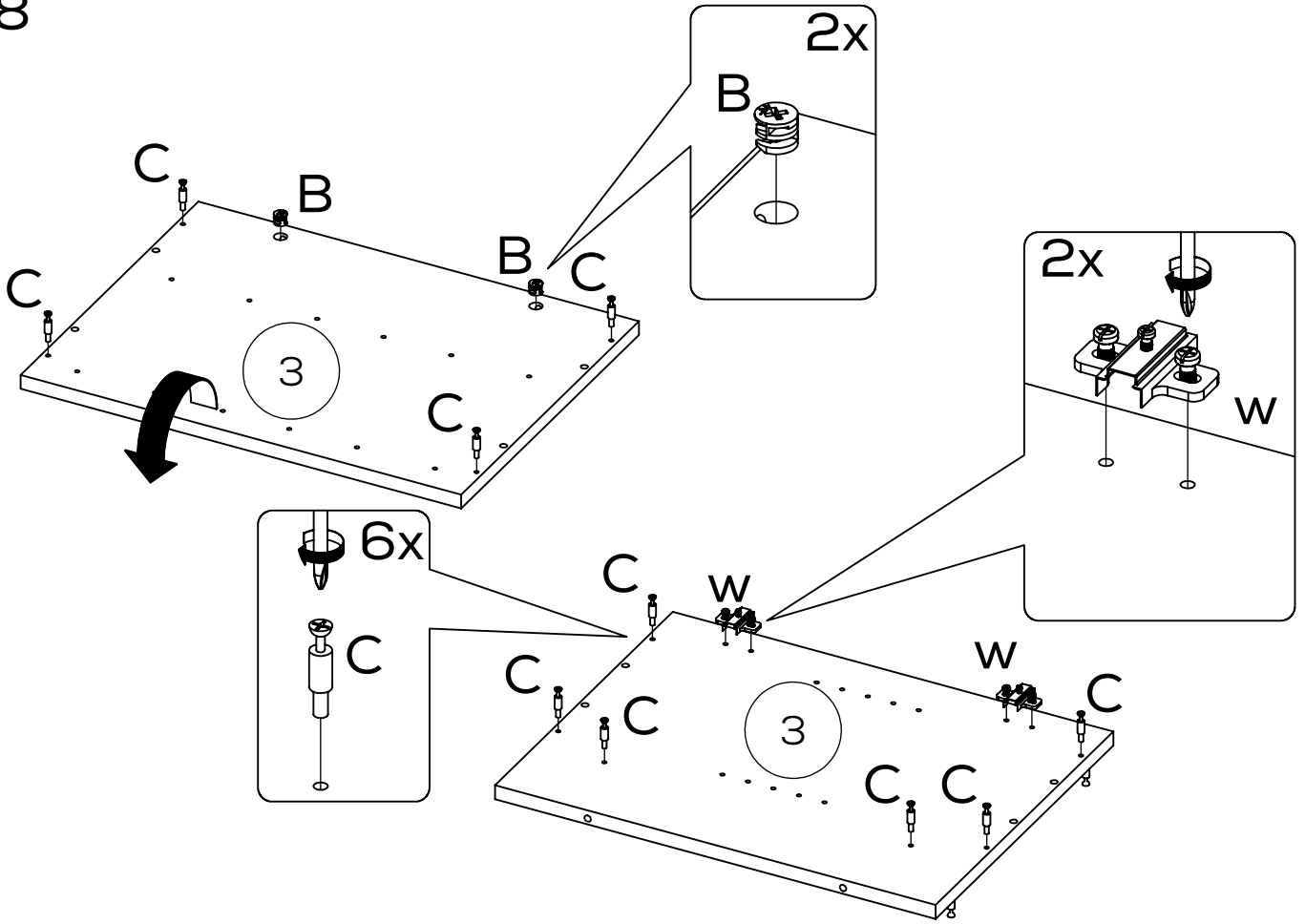


25

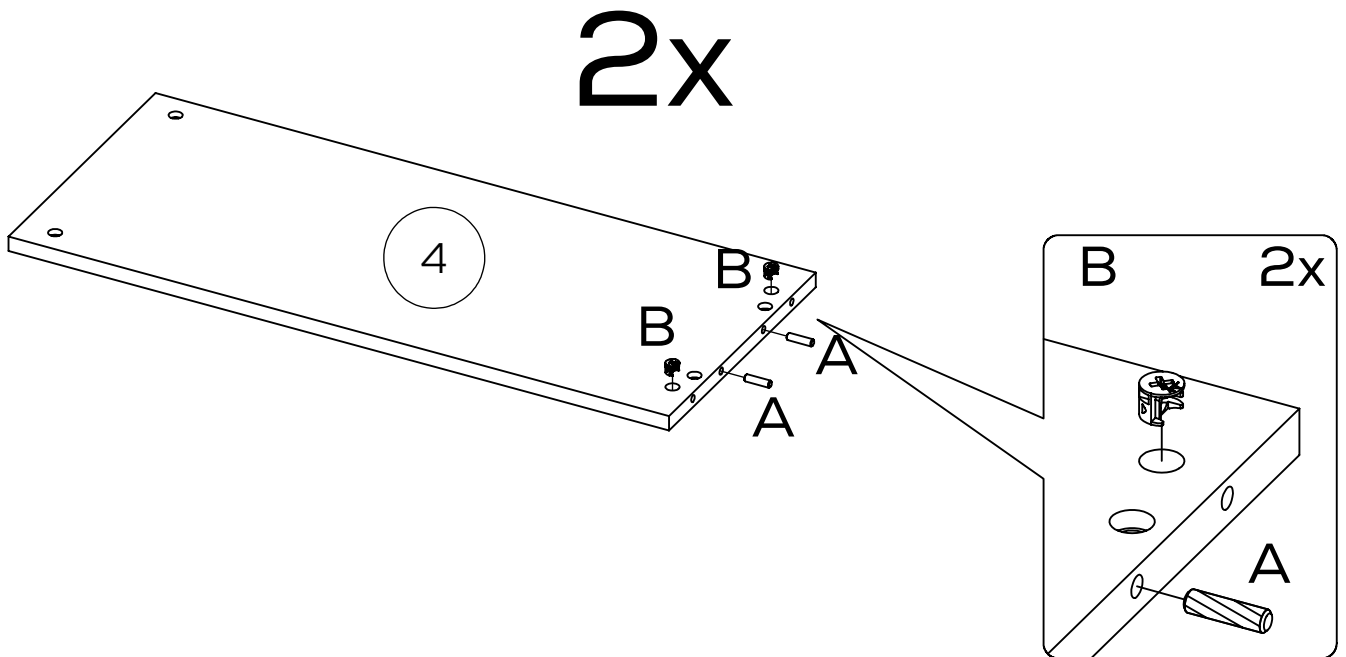




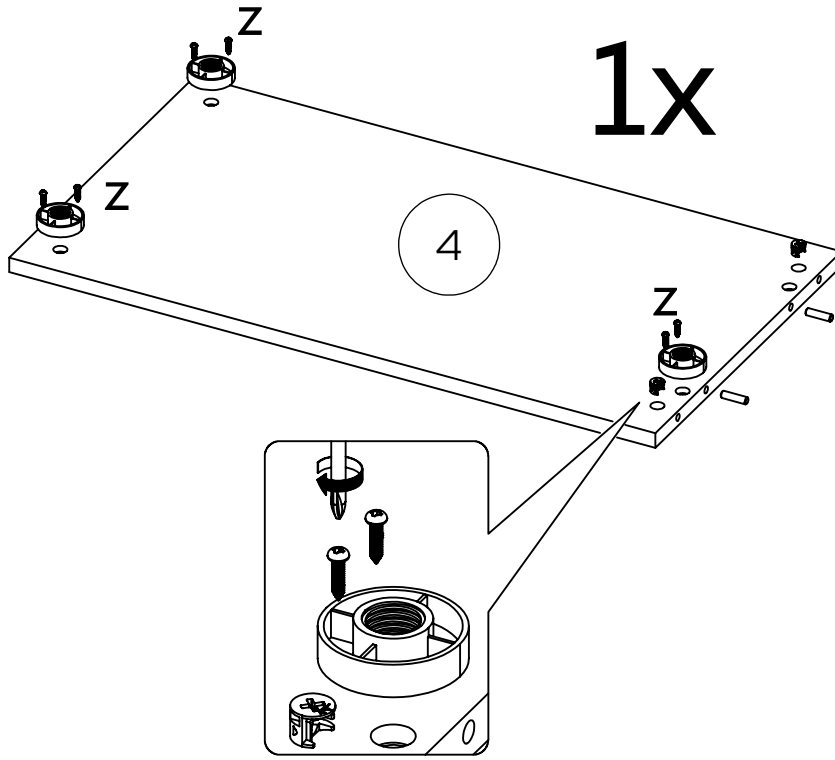
28



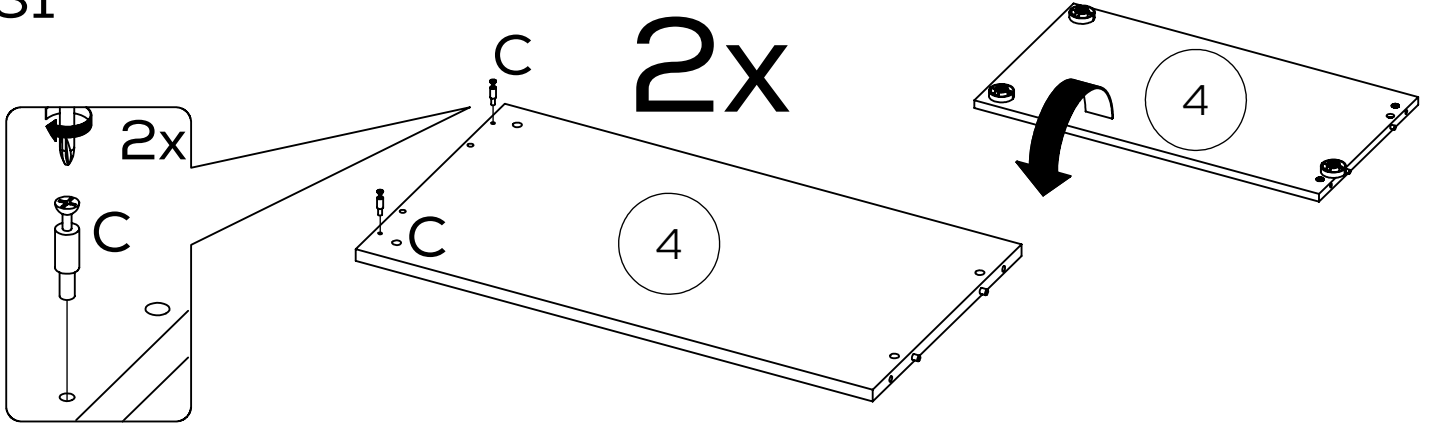
29



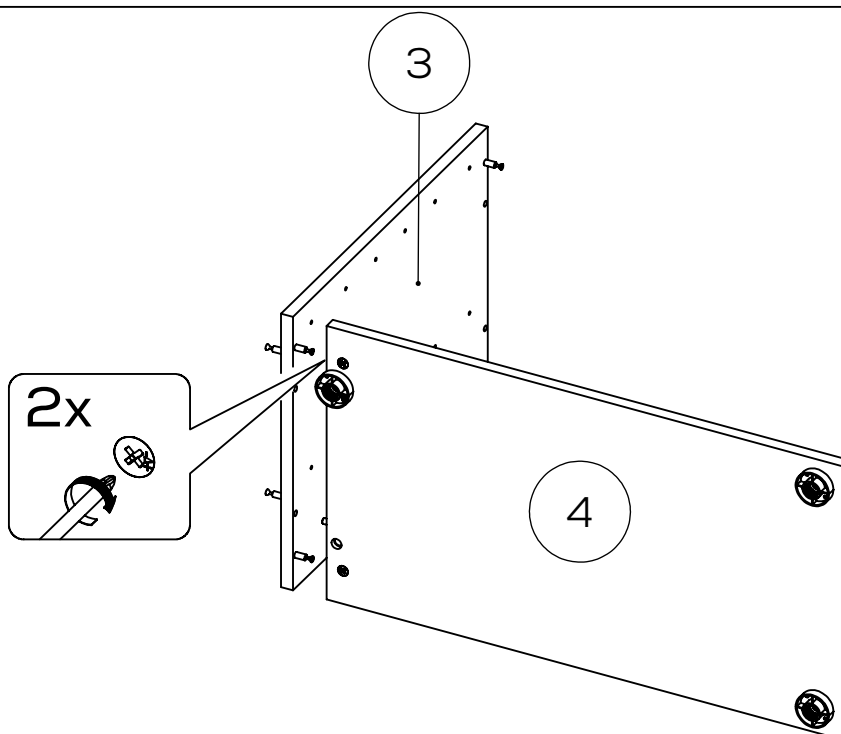
30



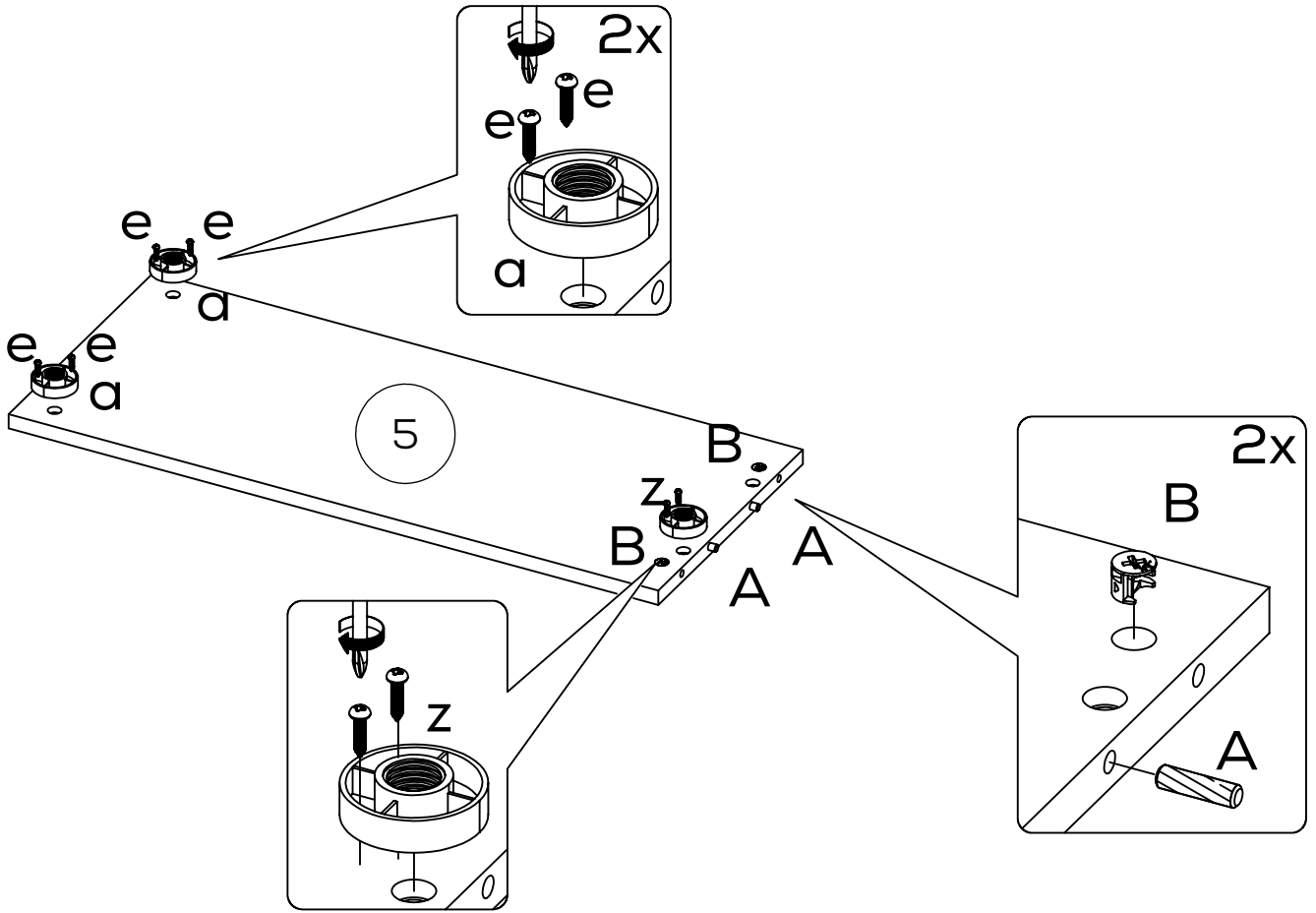
31



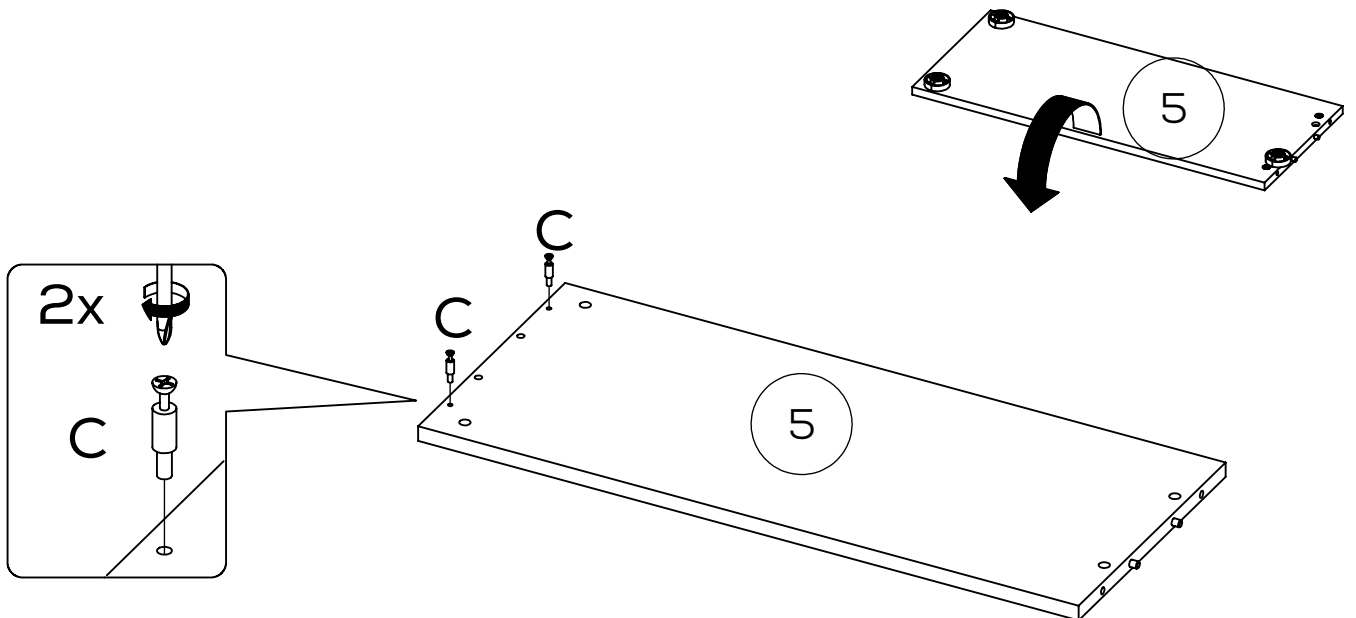
32

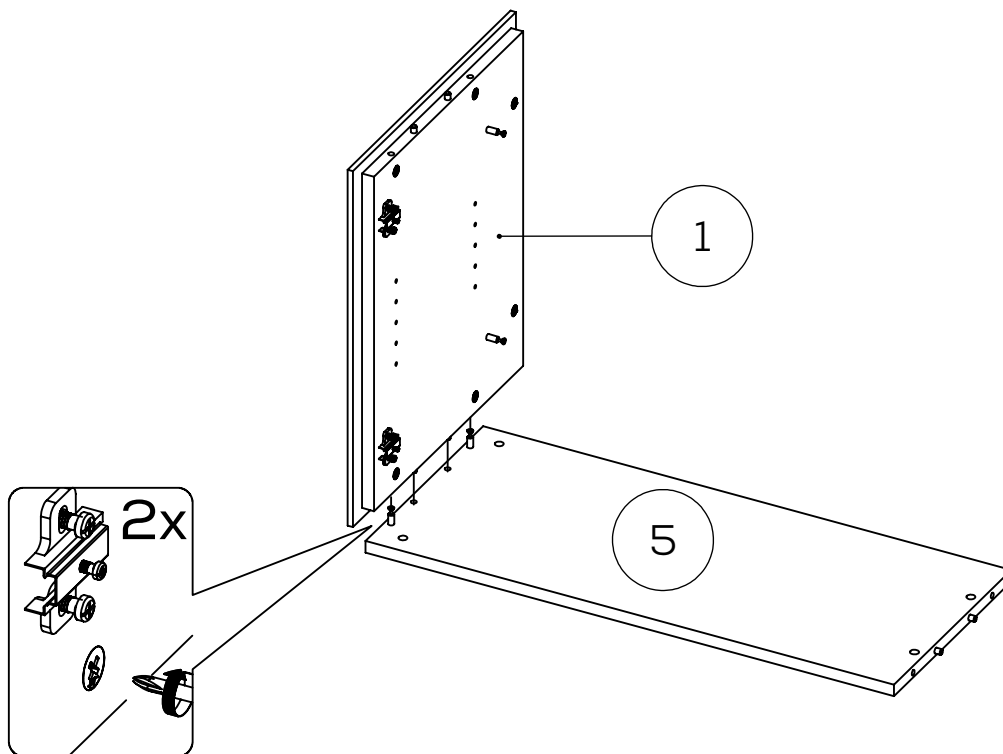
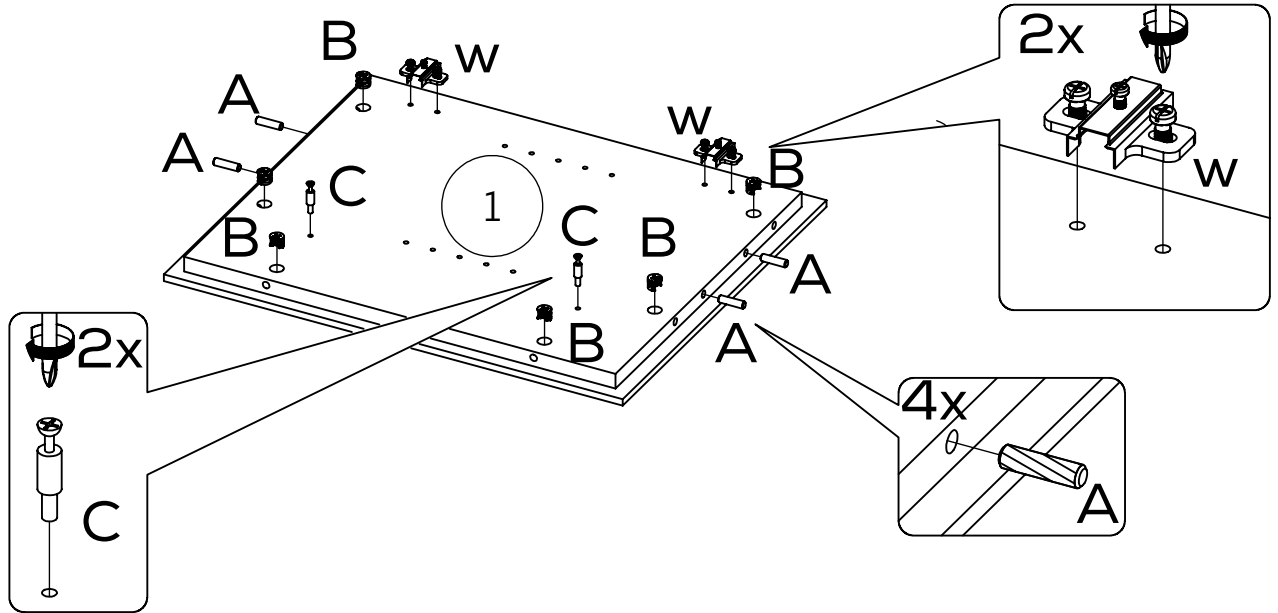


33

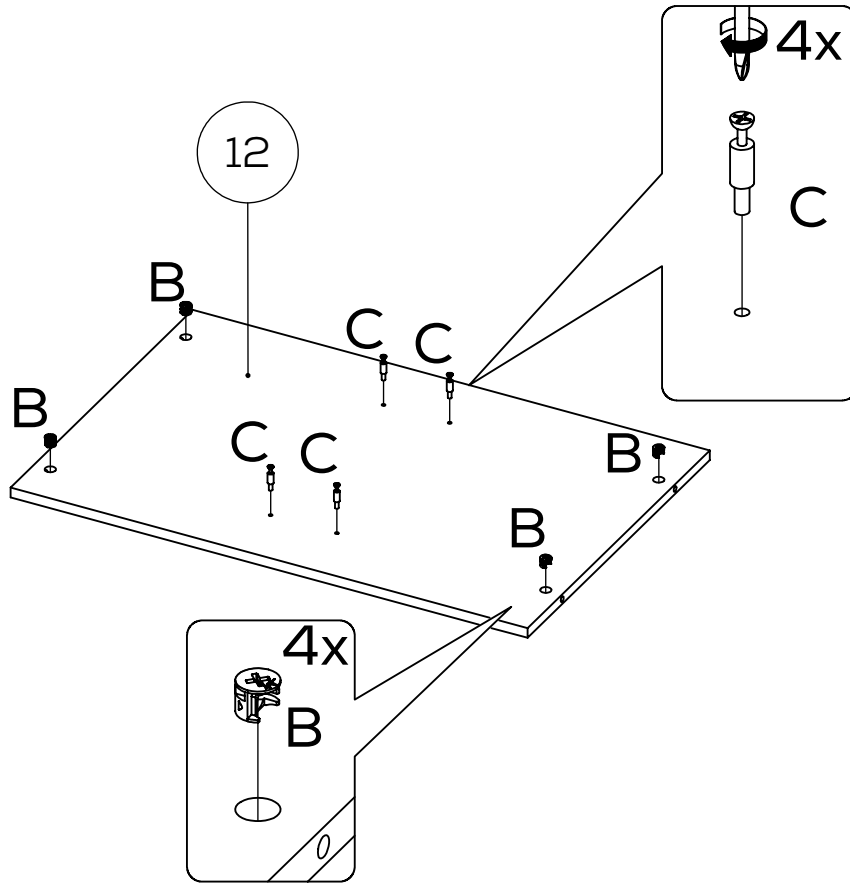


34



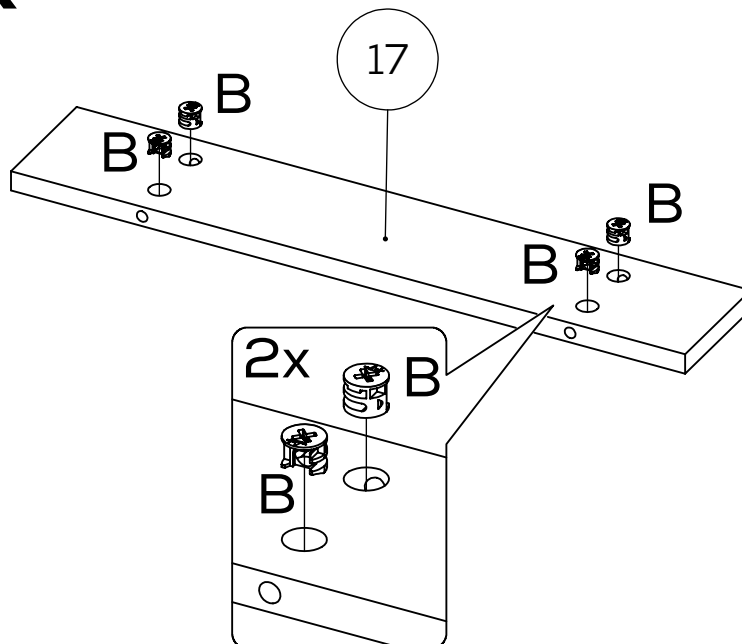


37



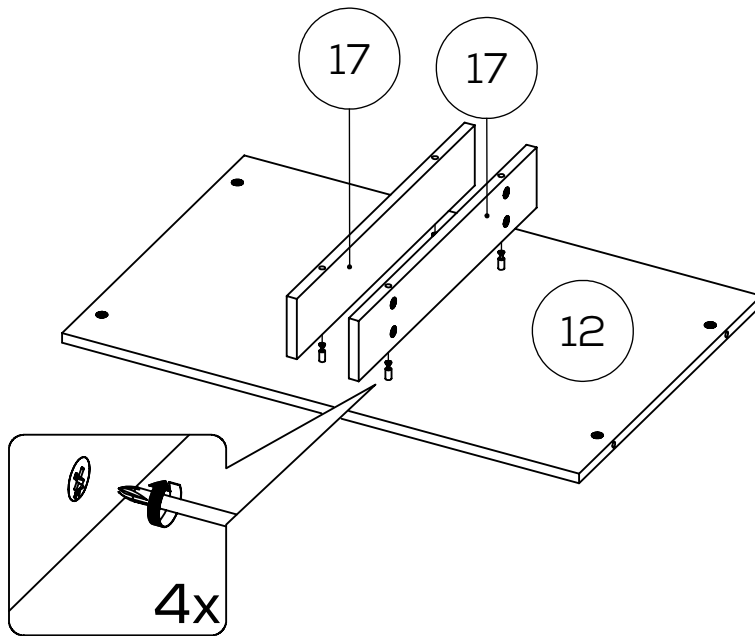
38

2x

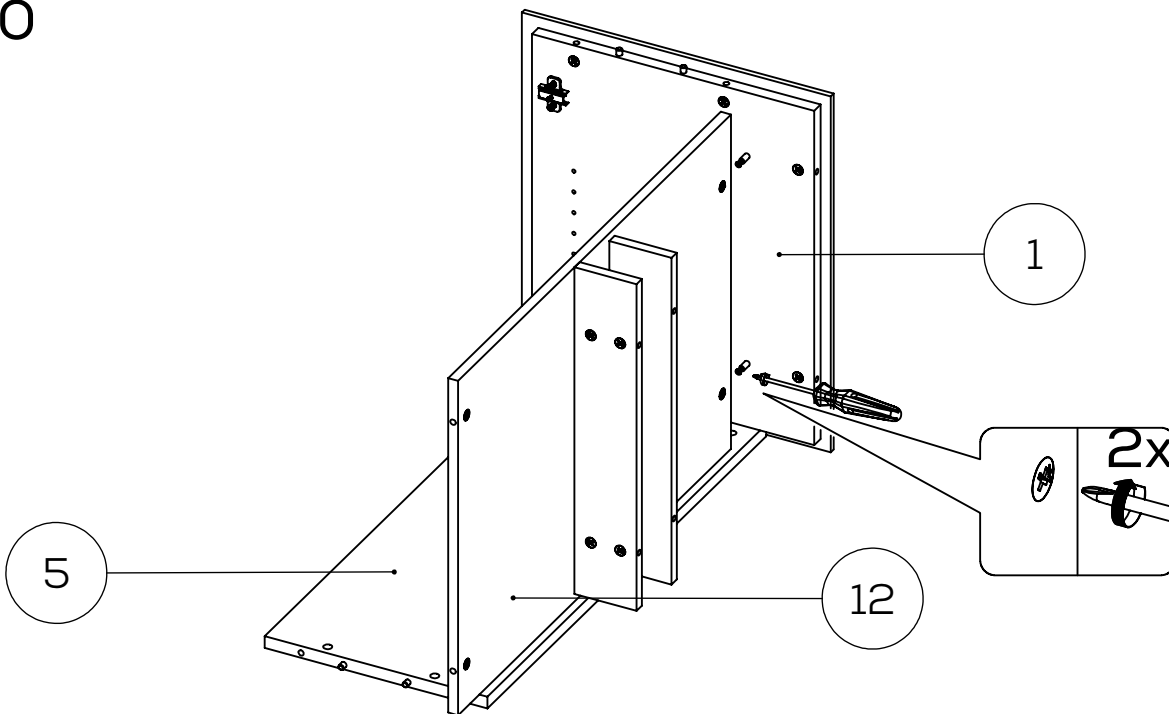




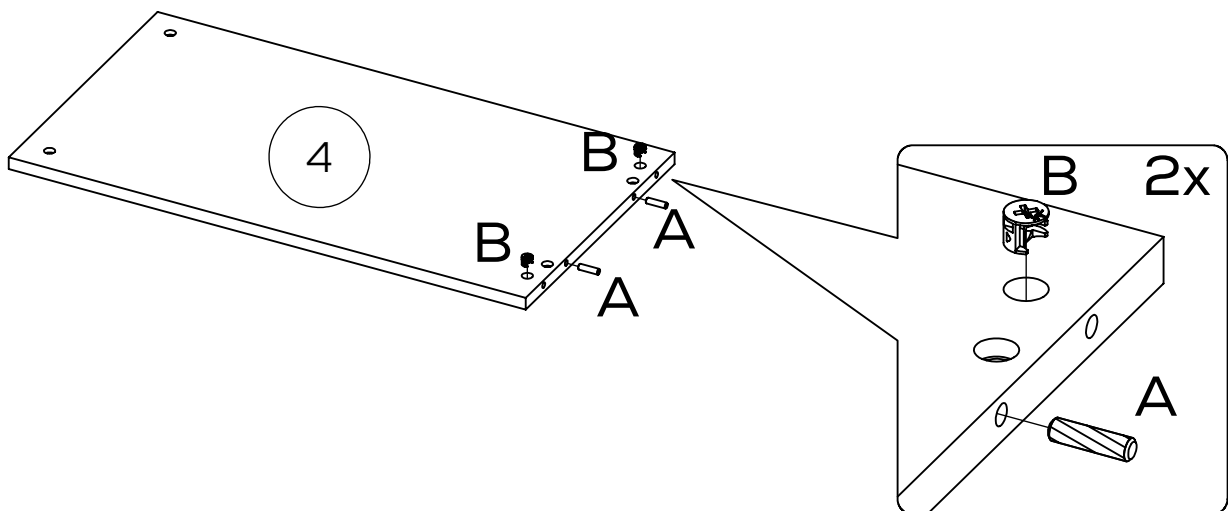
39



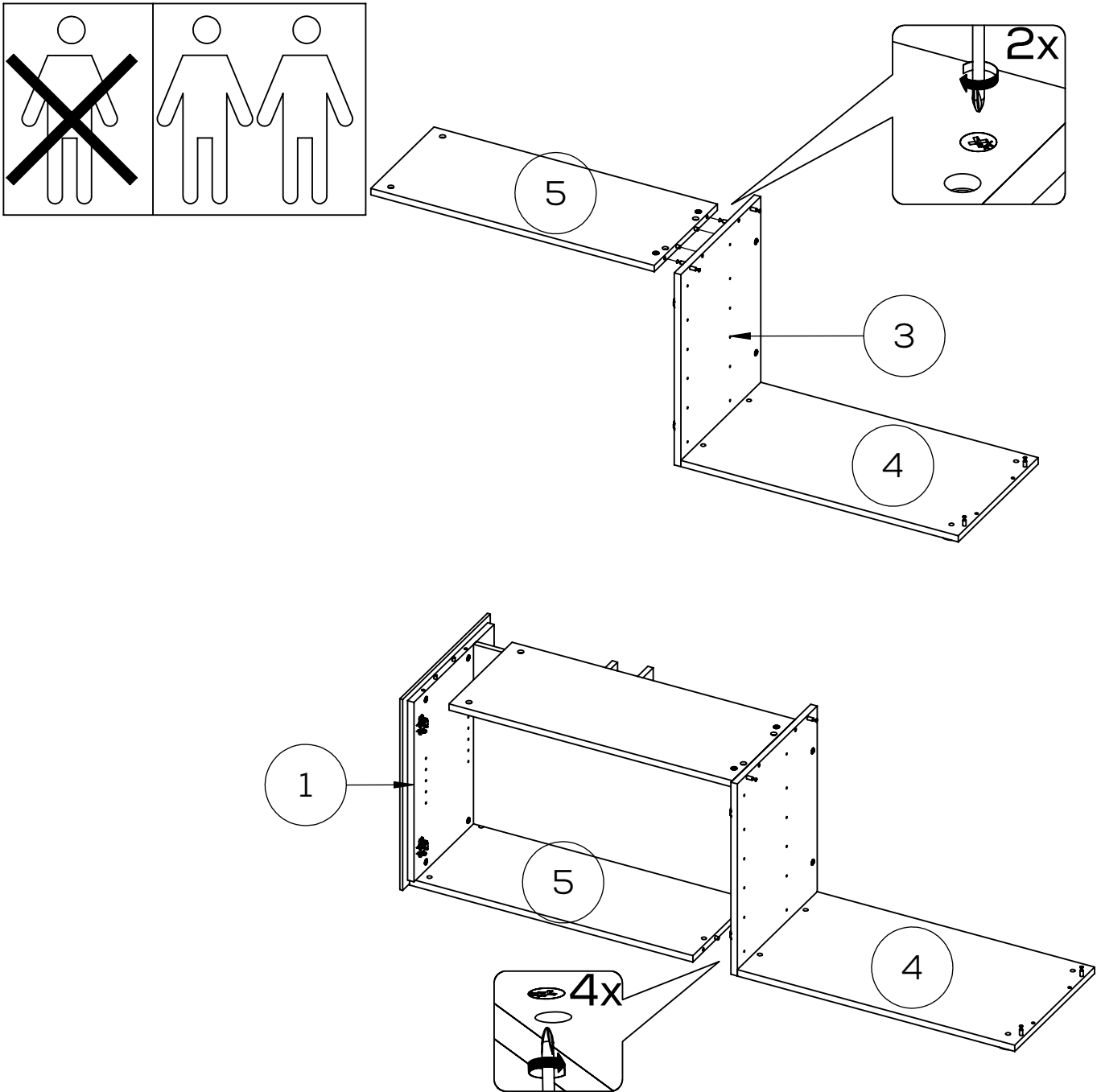
40



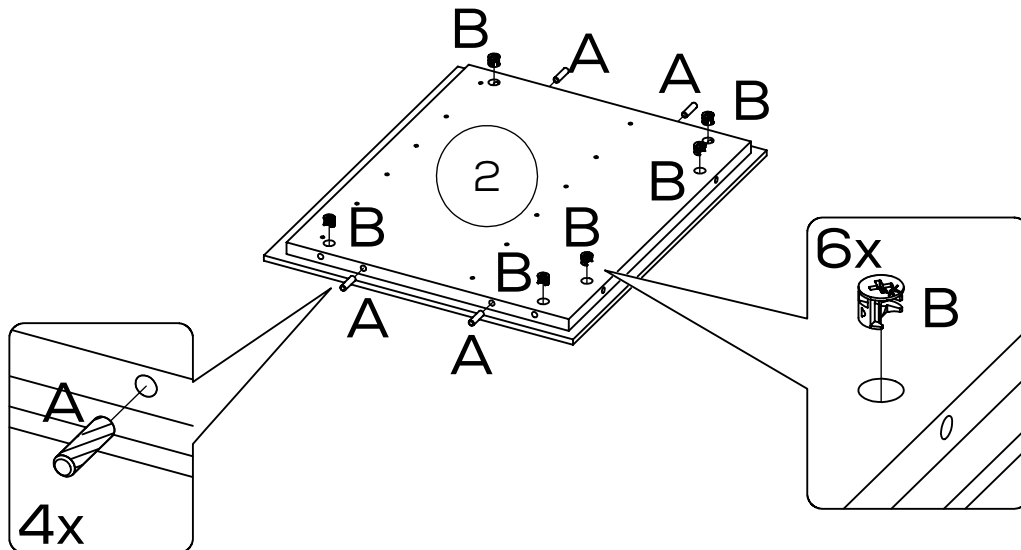
41



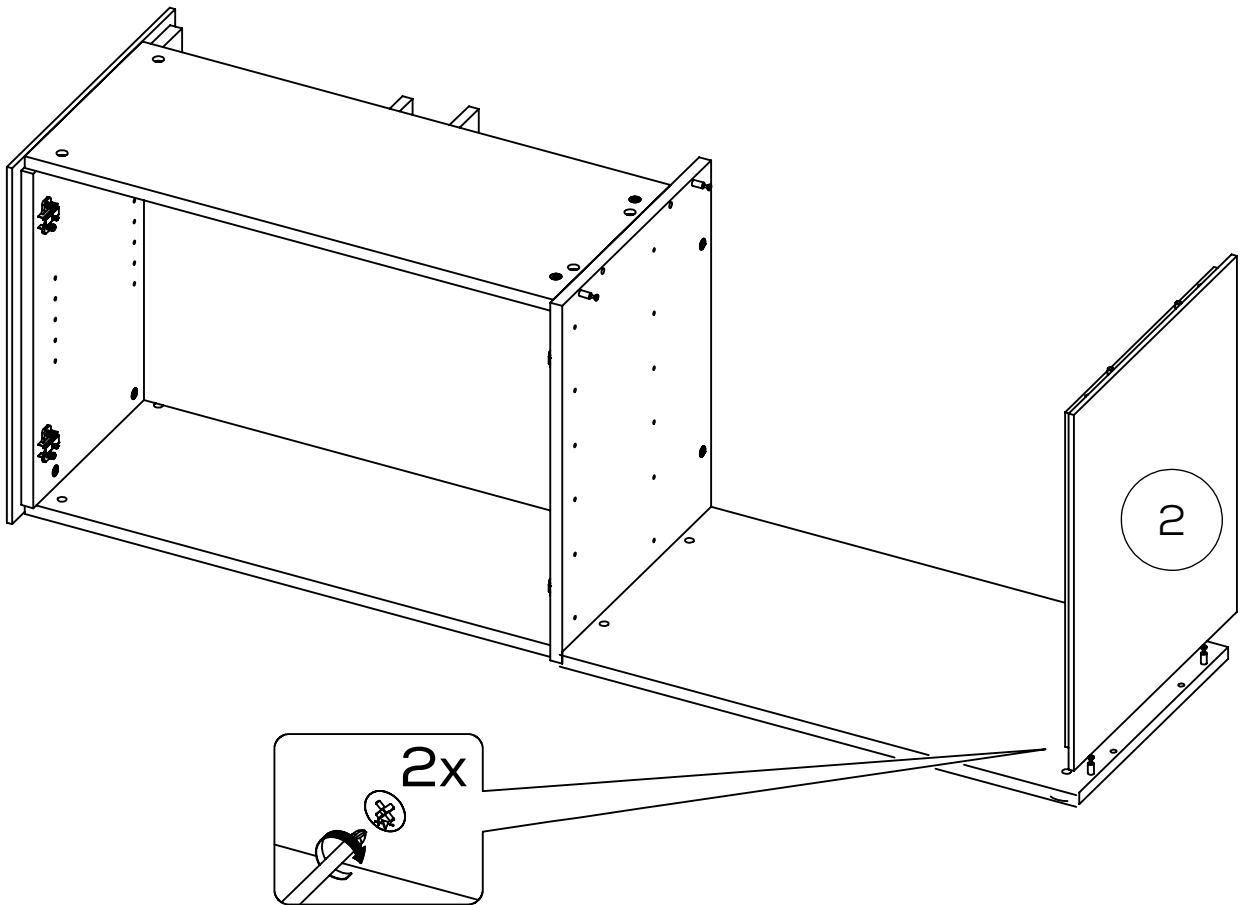
42



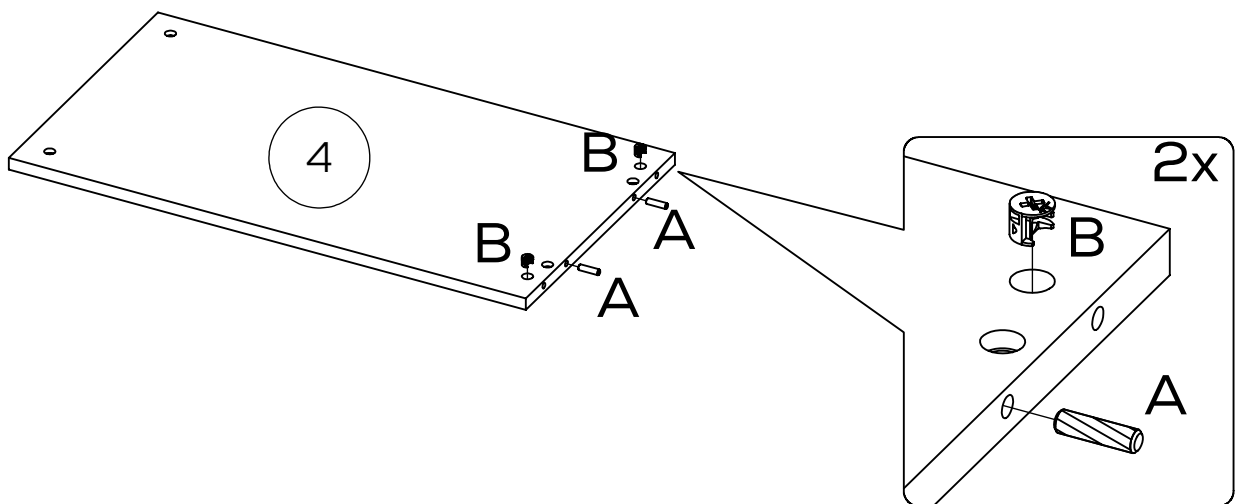
43



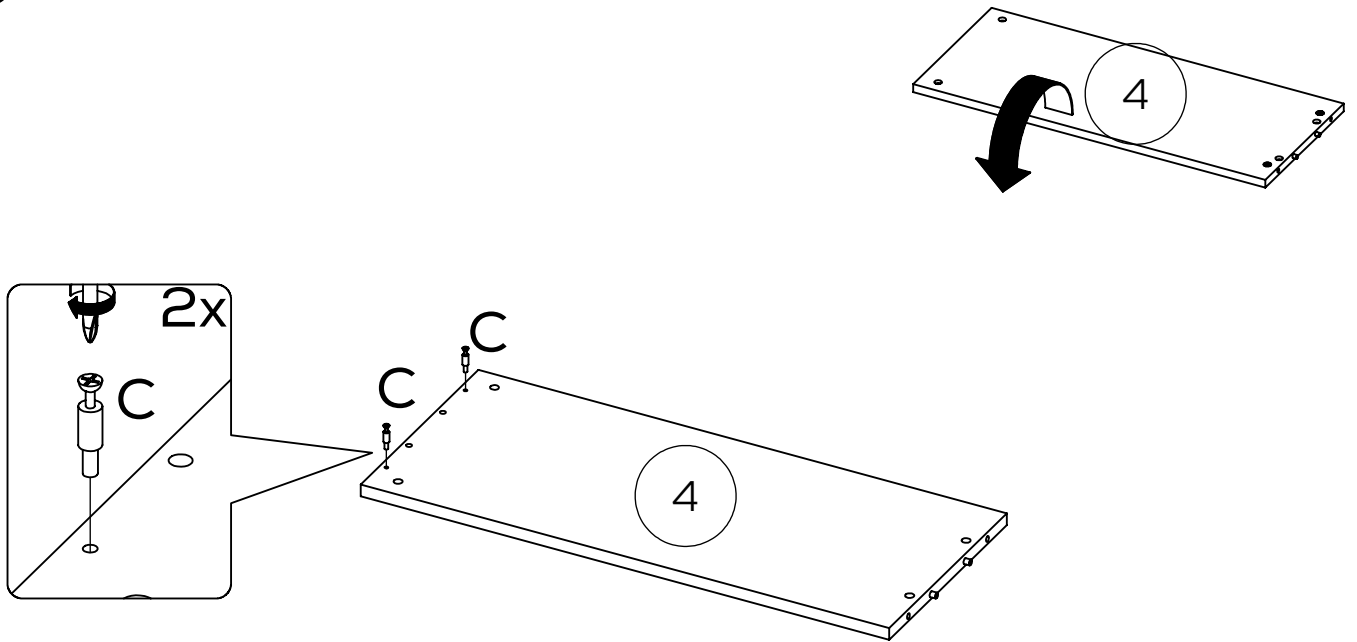
44



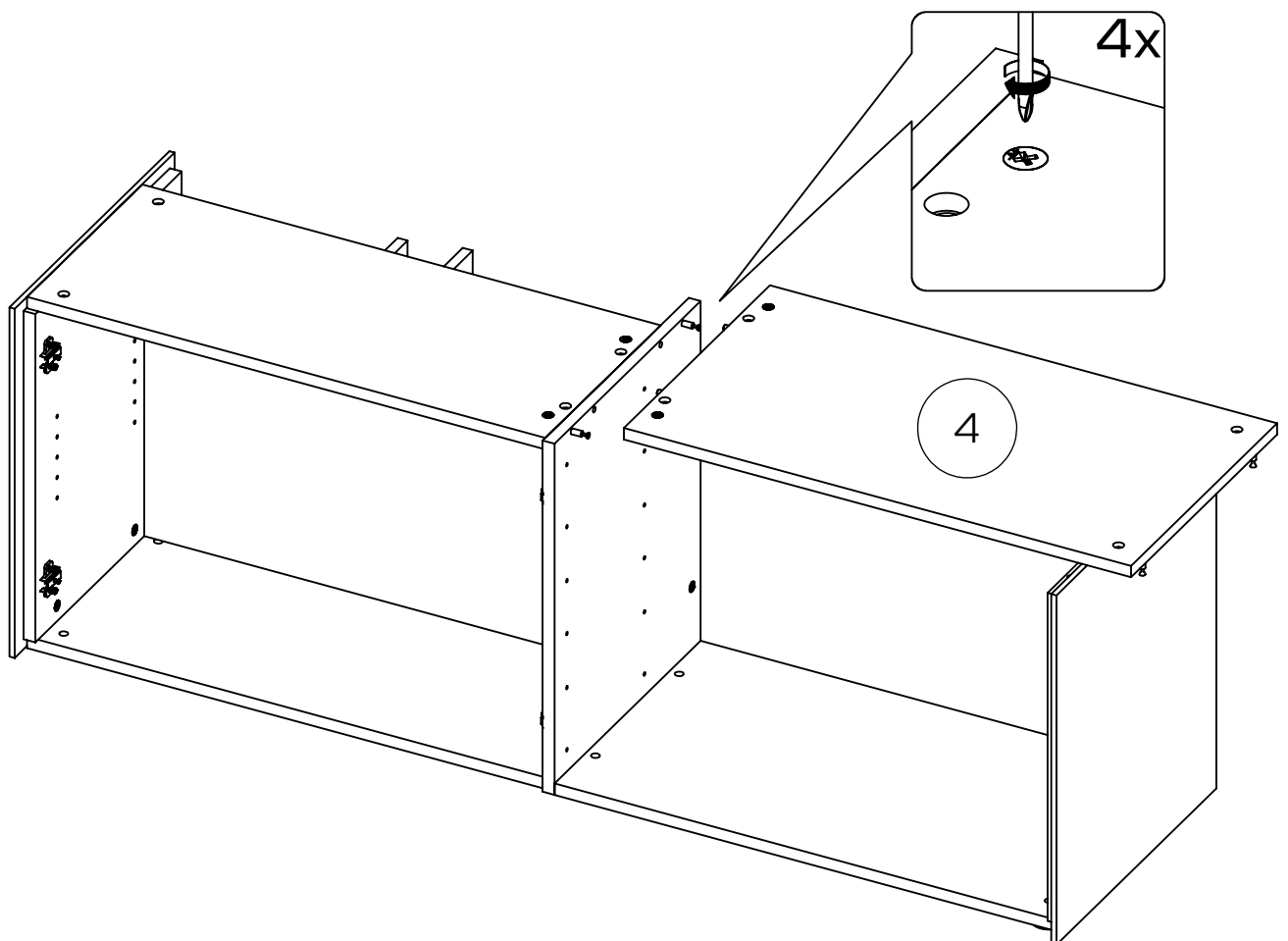
45



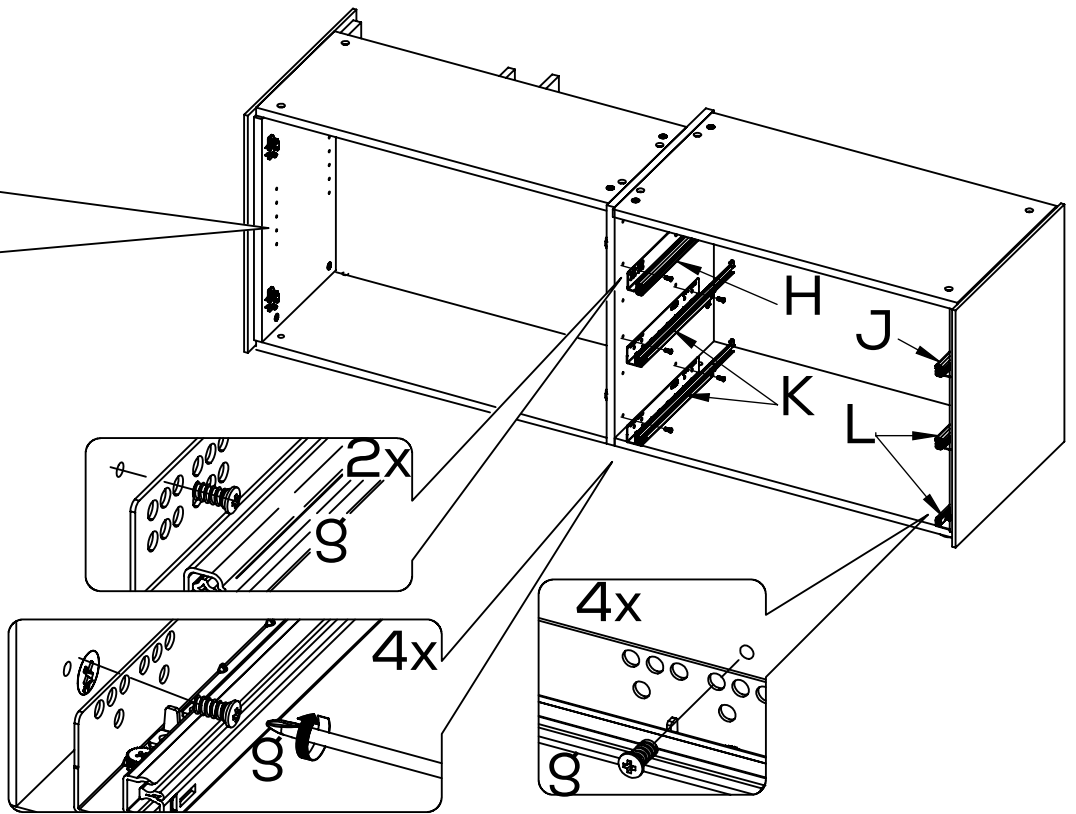
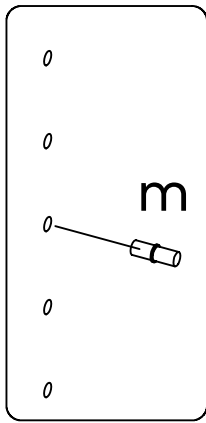
46



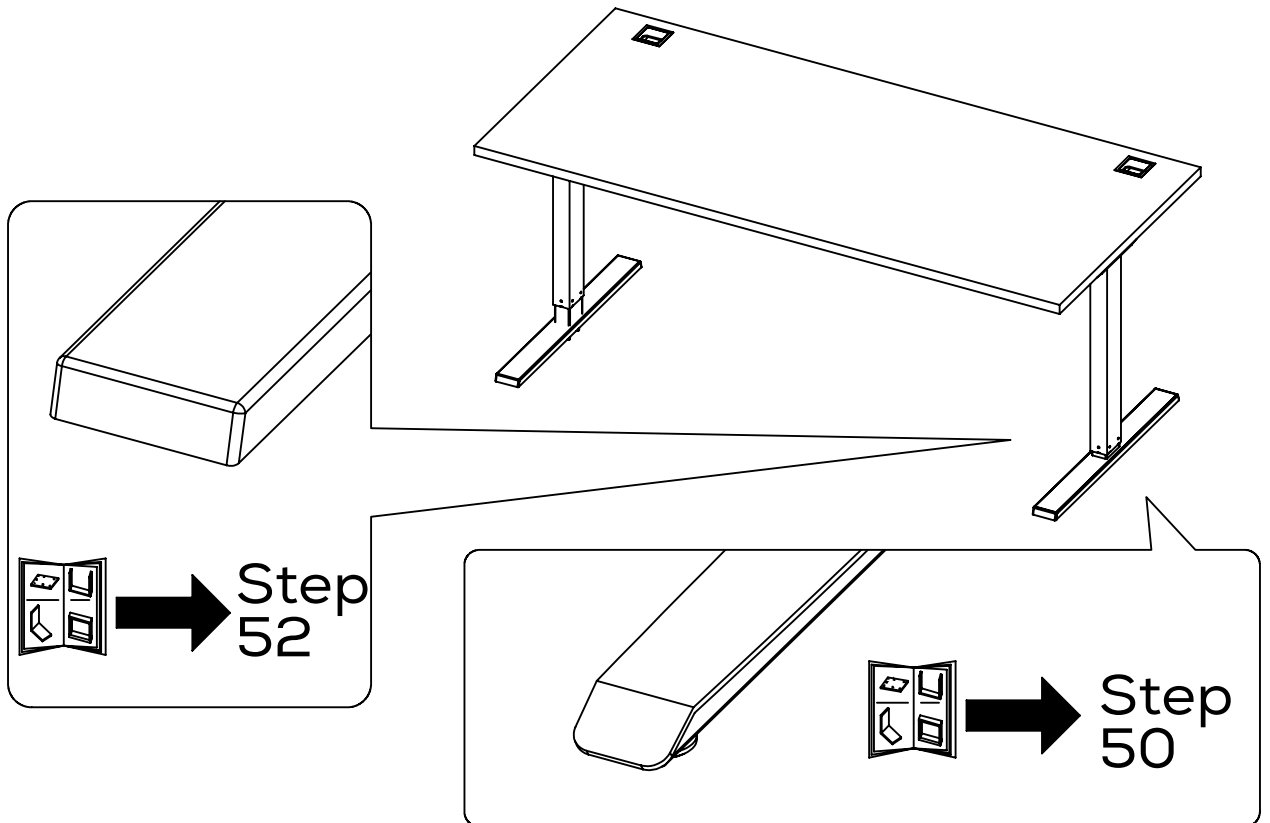
47



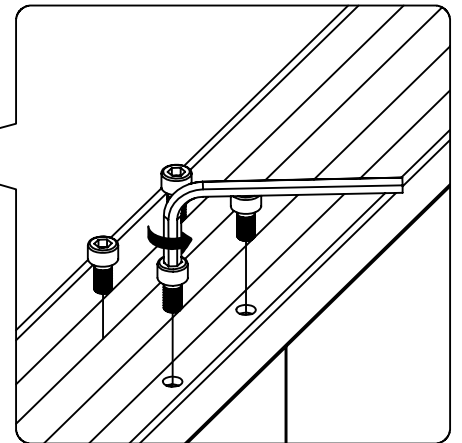
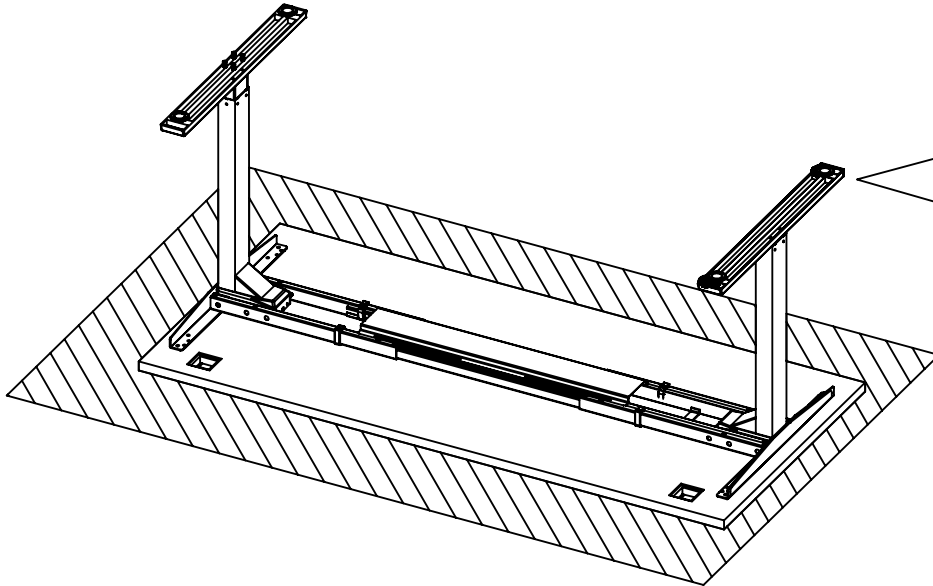
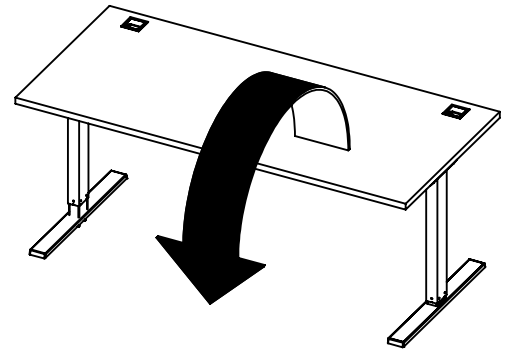
48



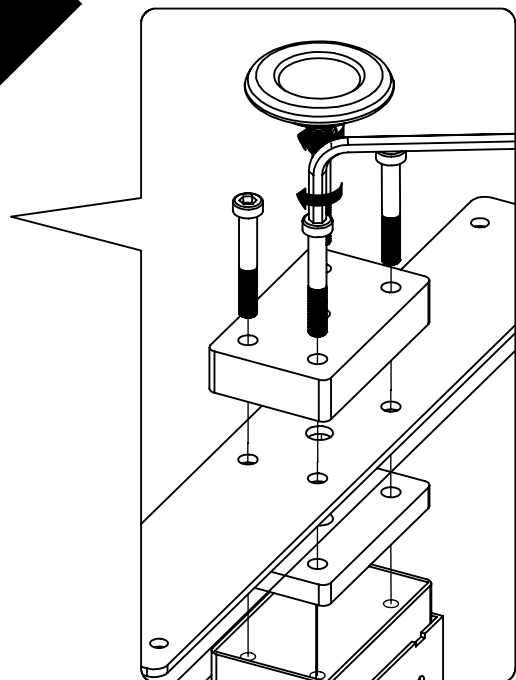
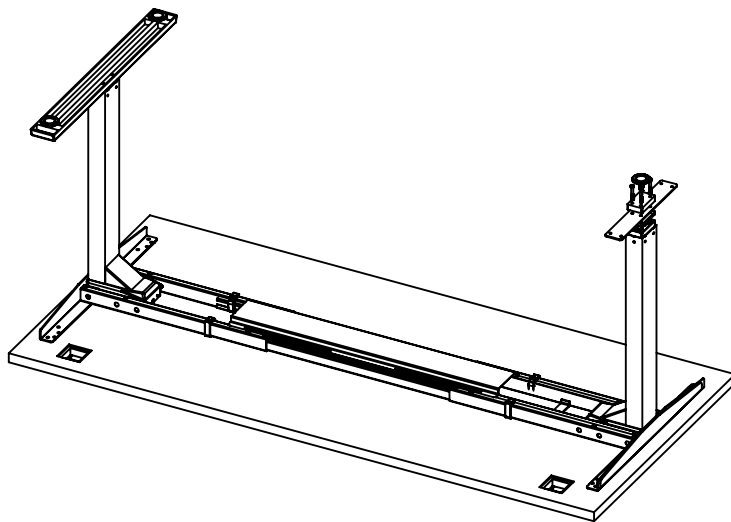
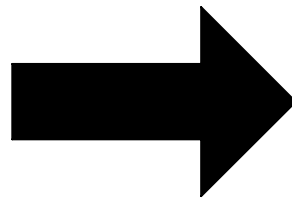
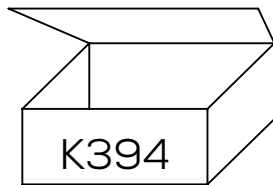
49



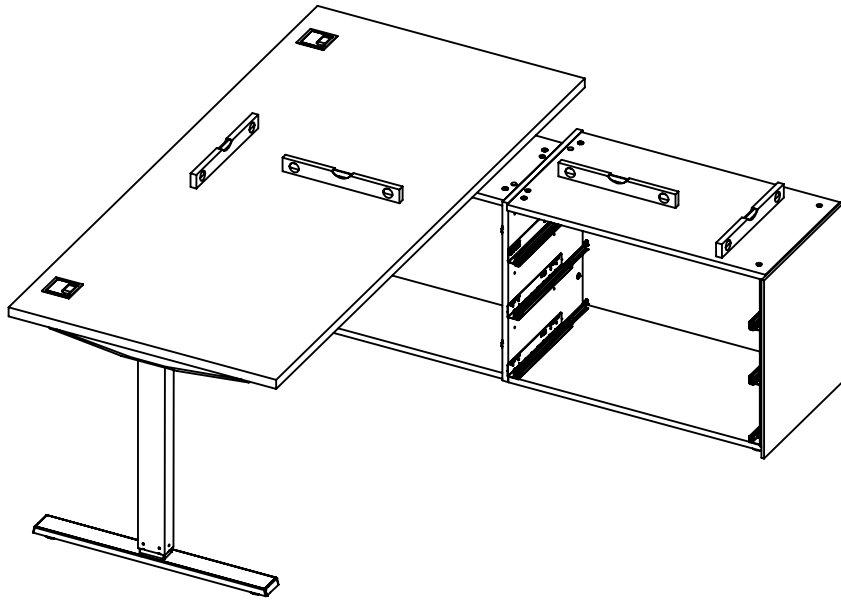
50



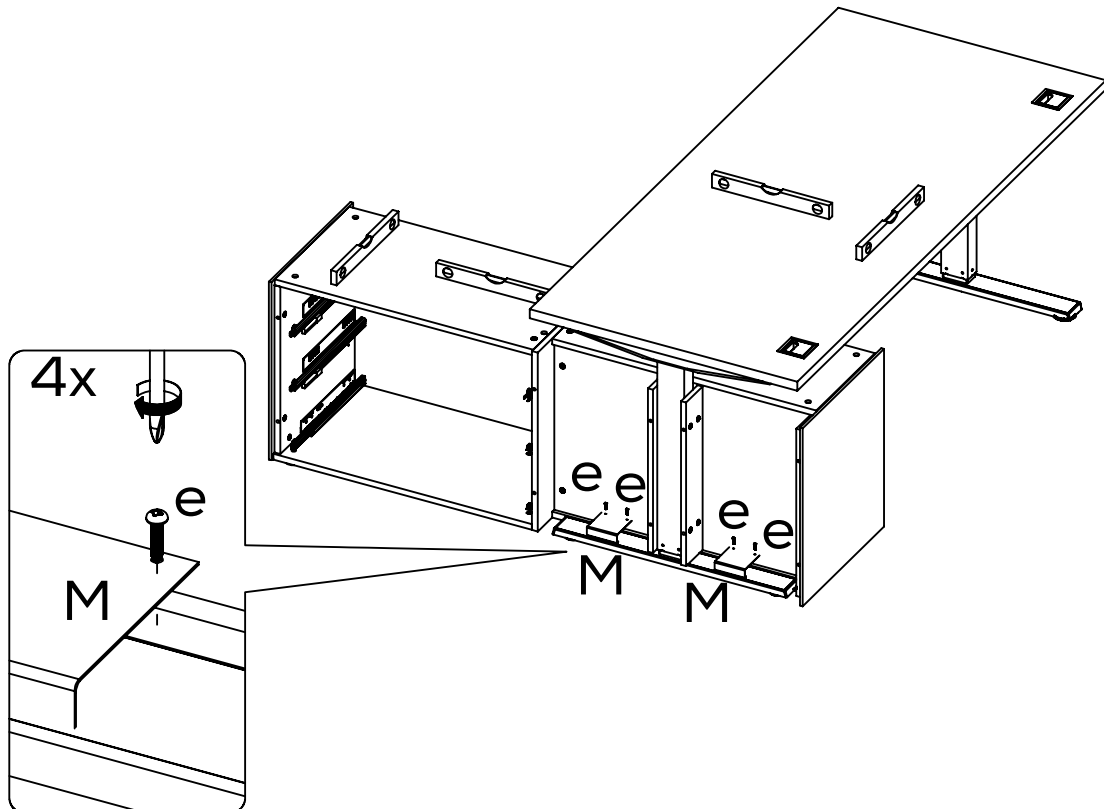
51



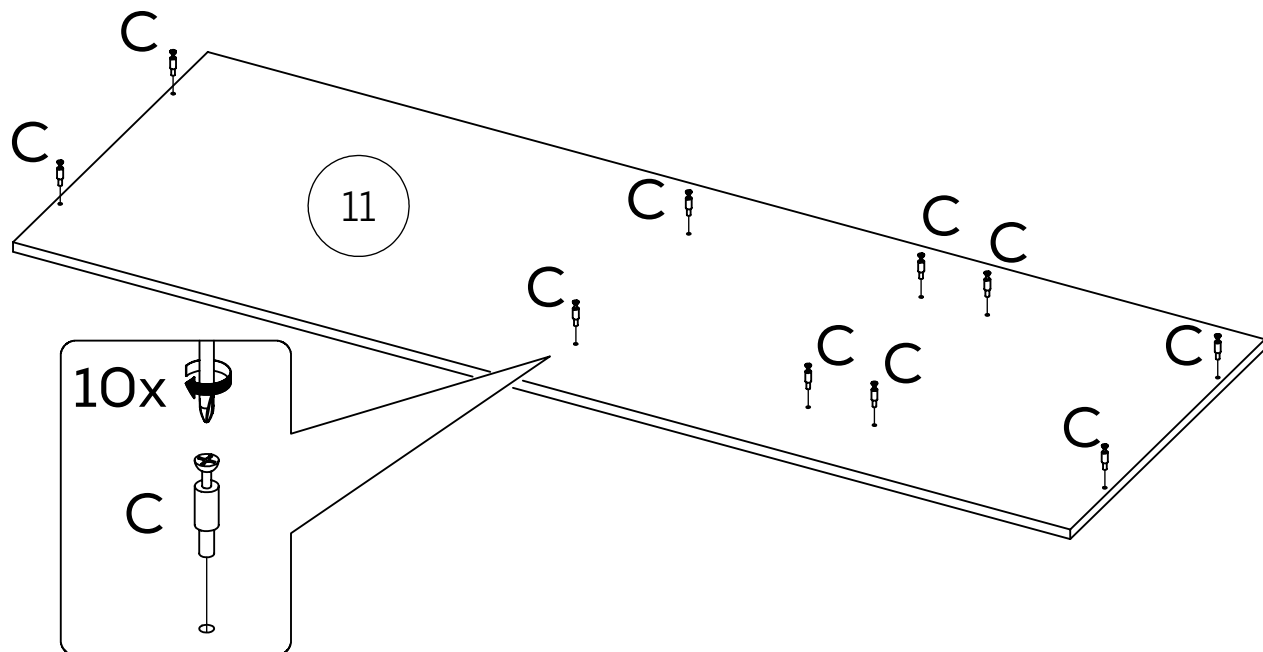
52



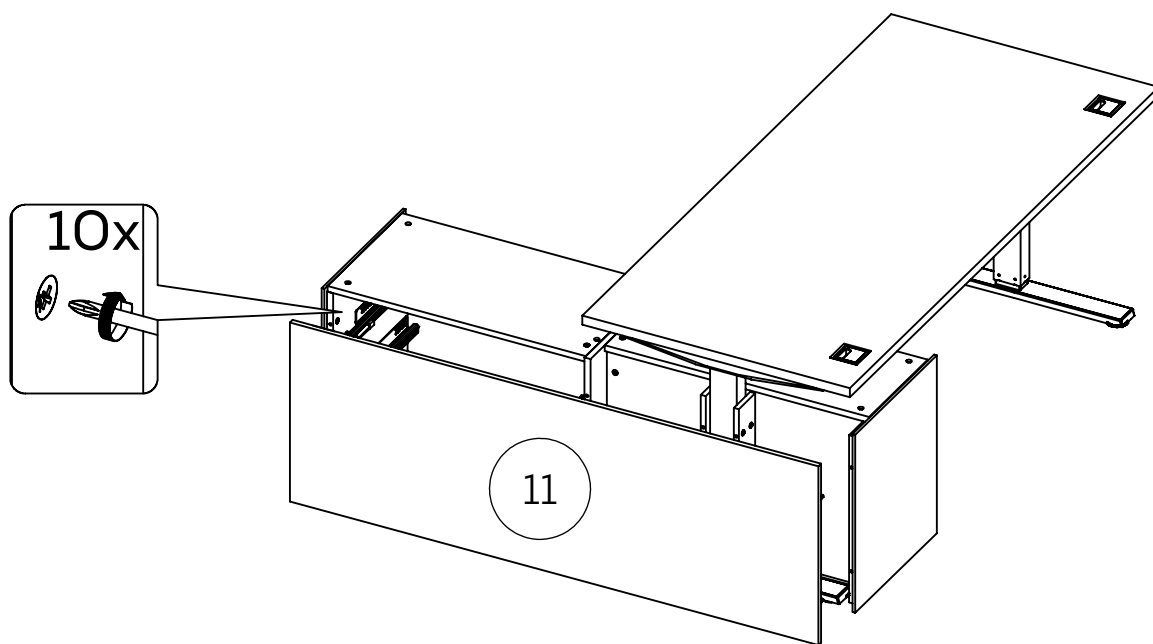
53



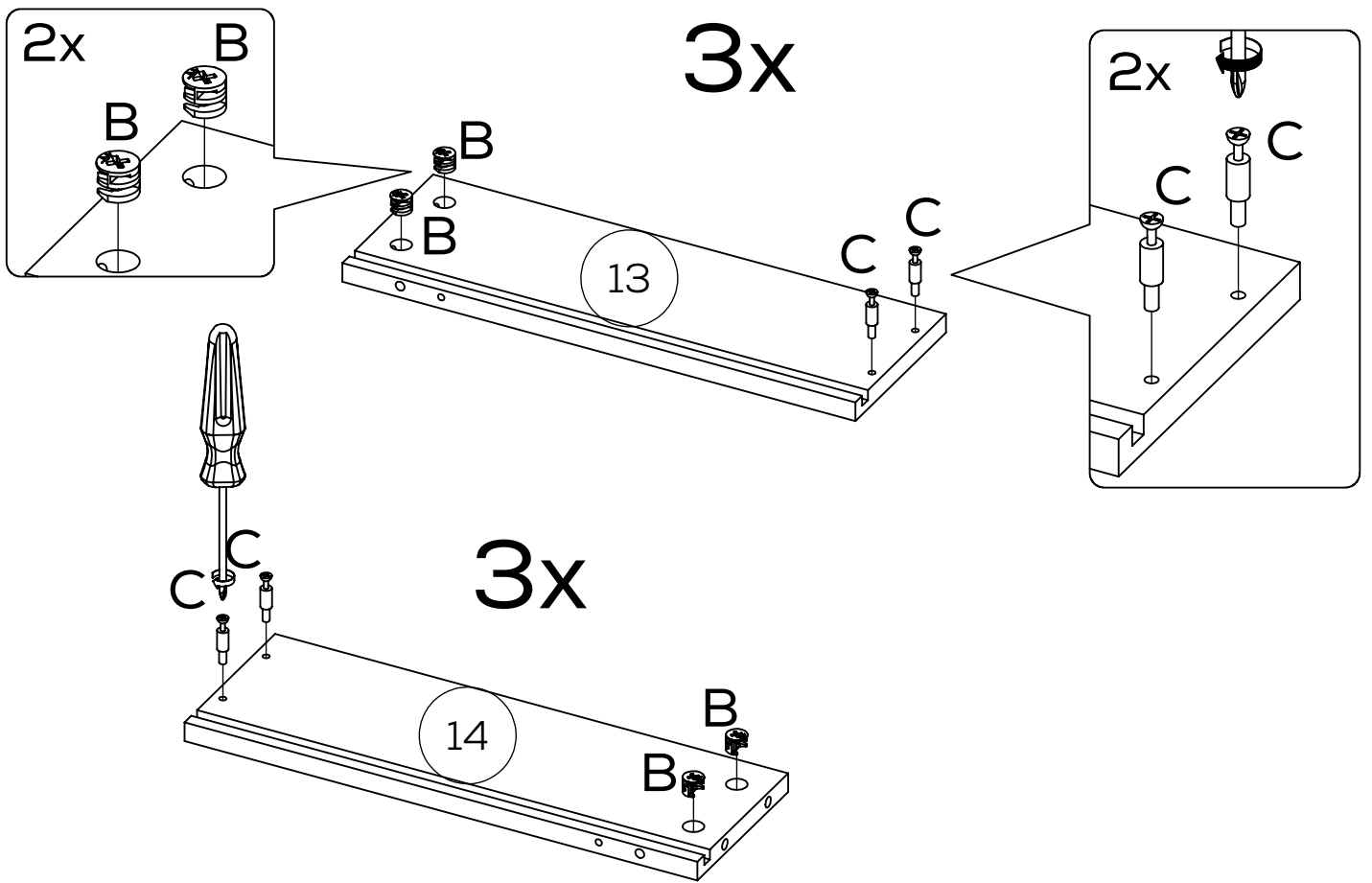
54



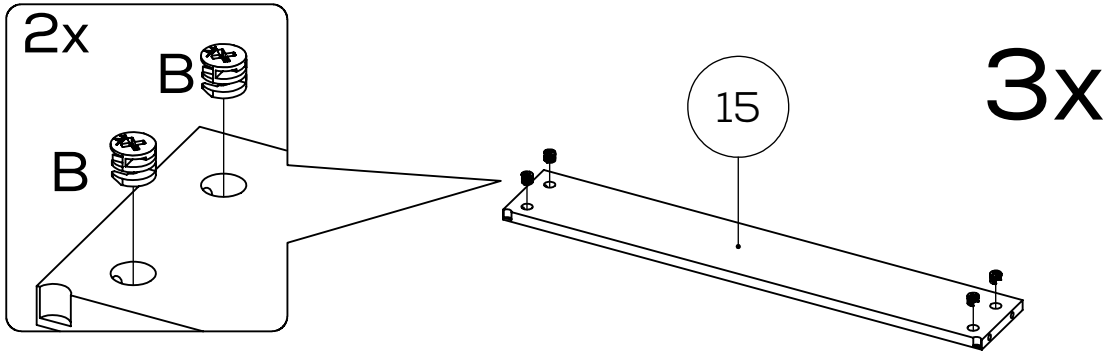
55



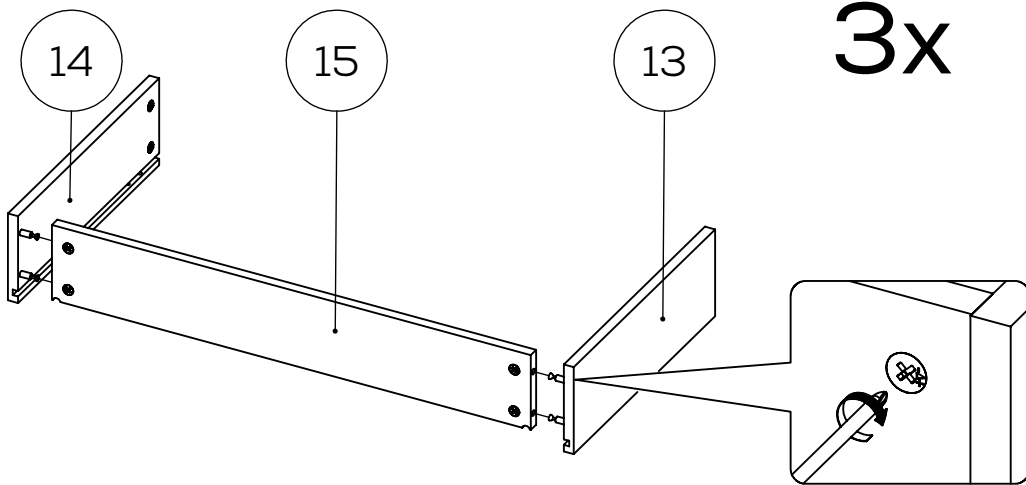




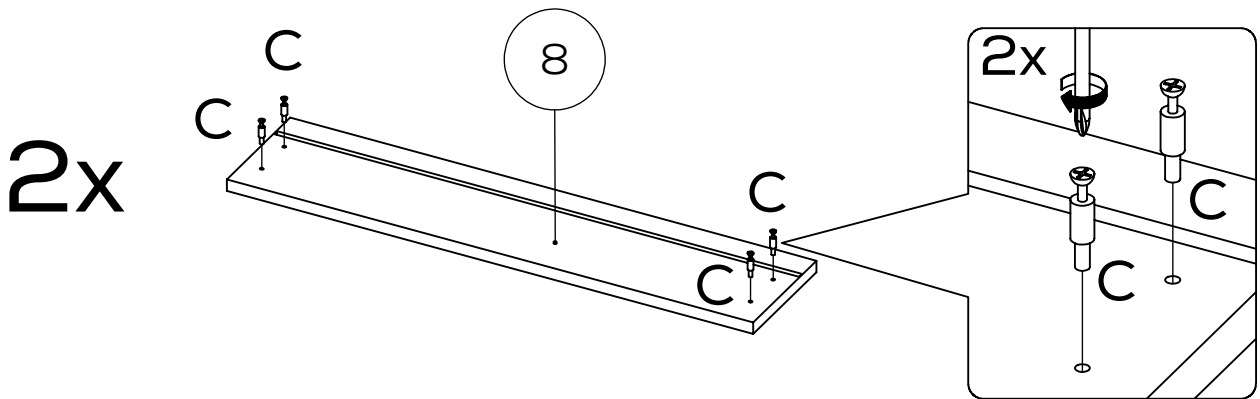
57



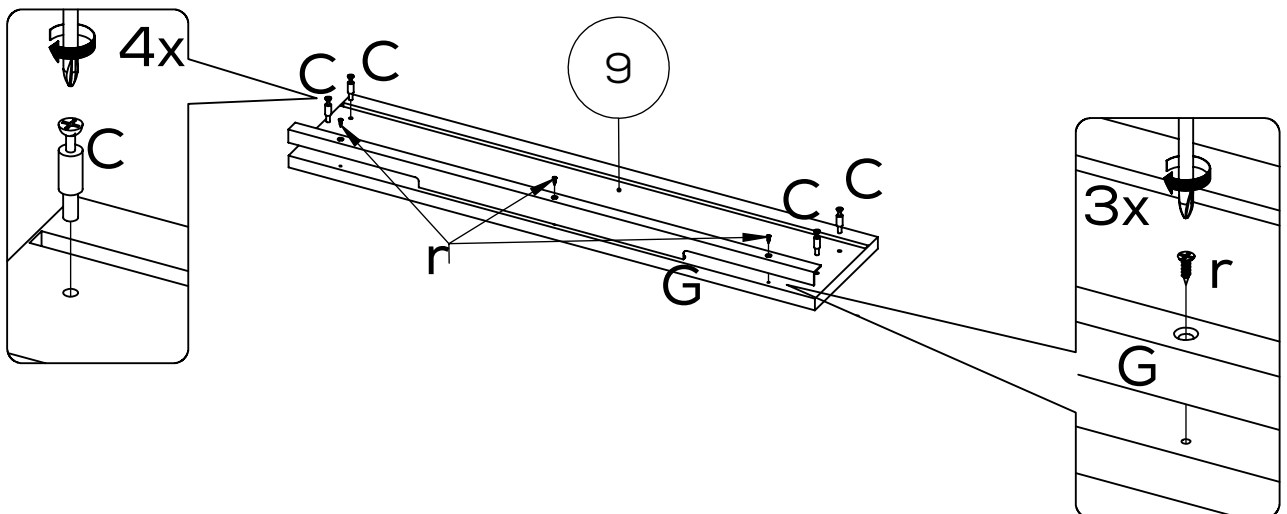
58



59

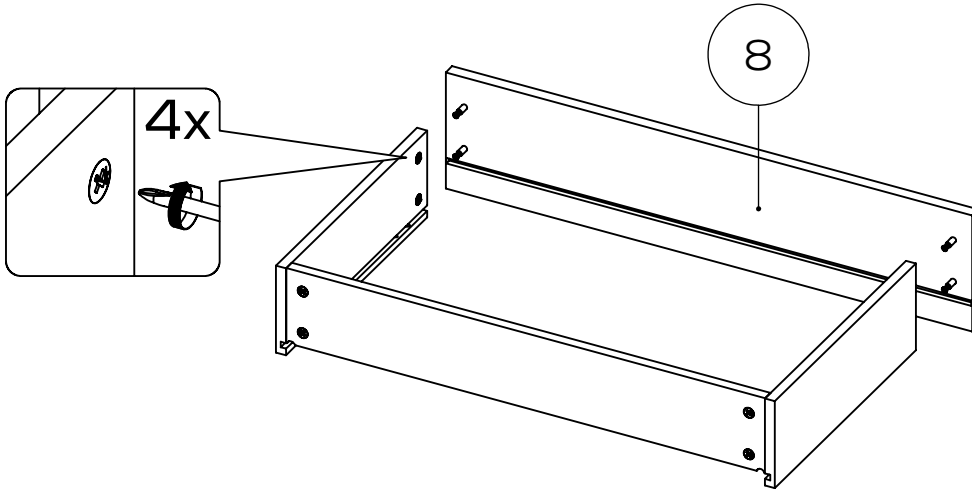


60

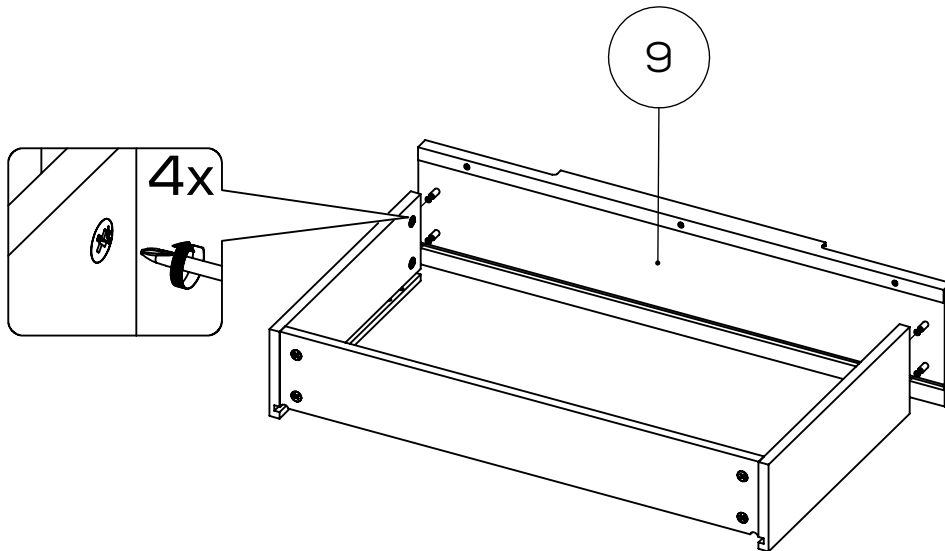


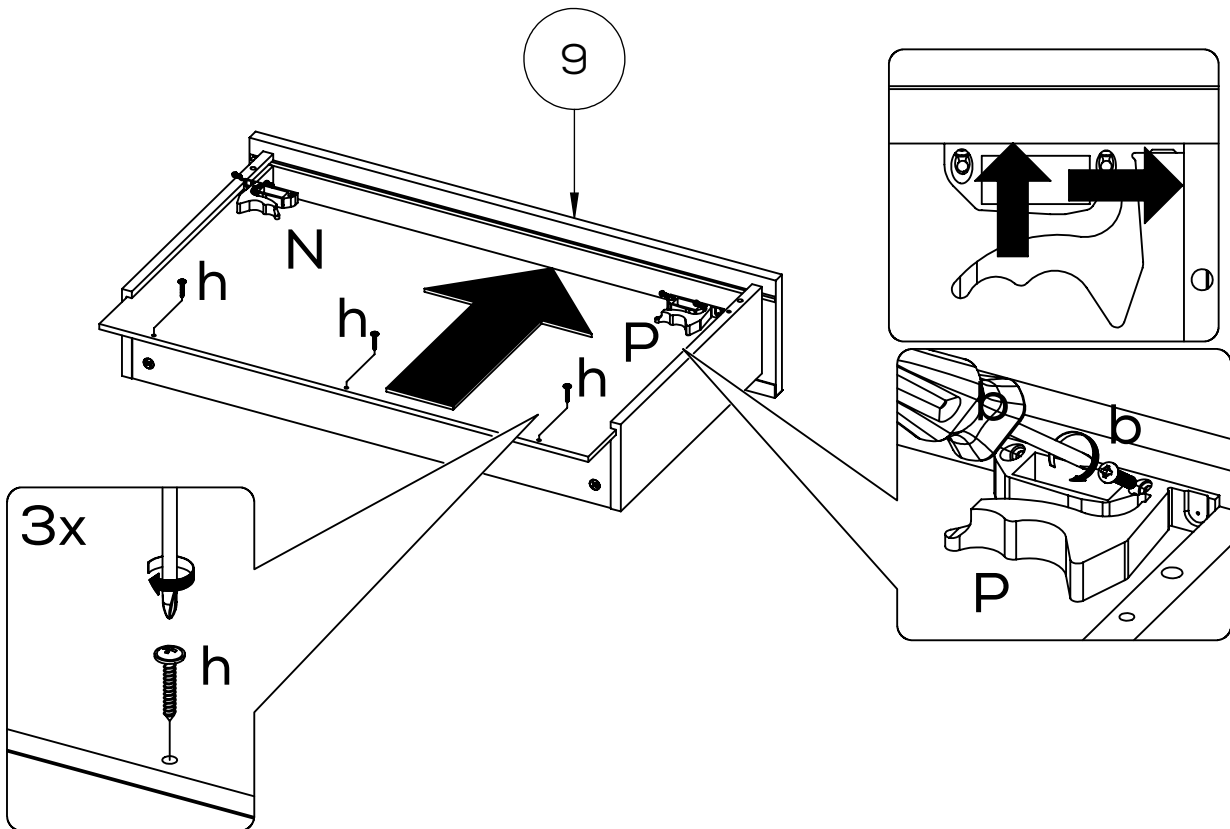
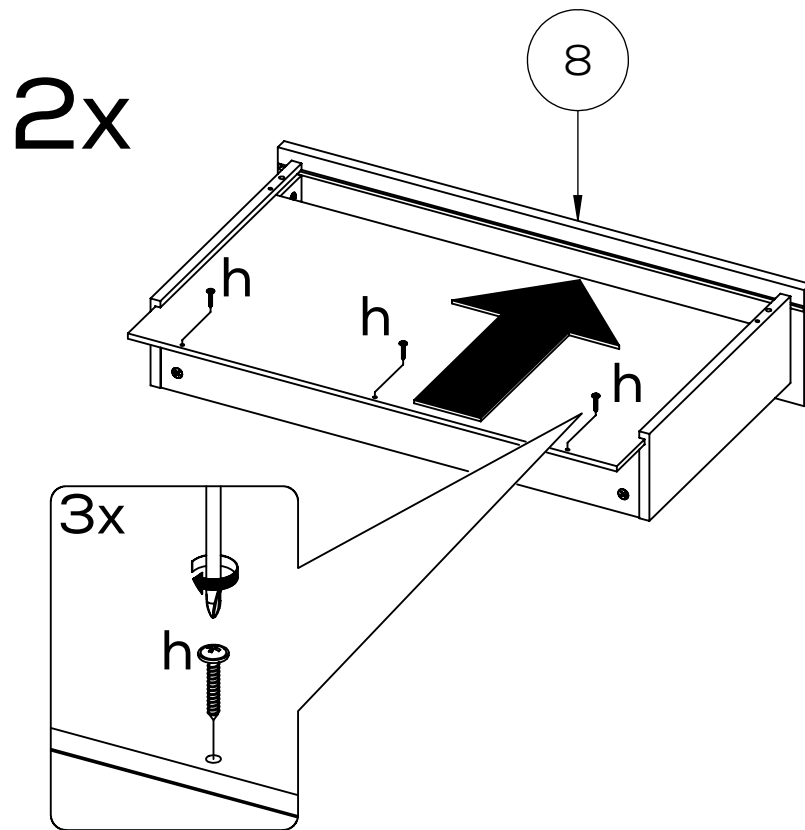
61

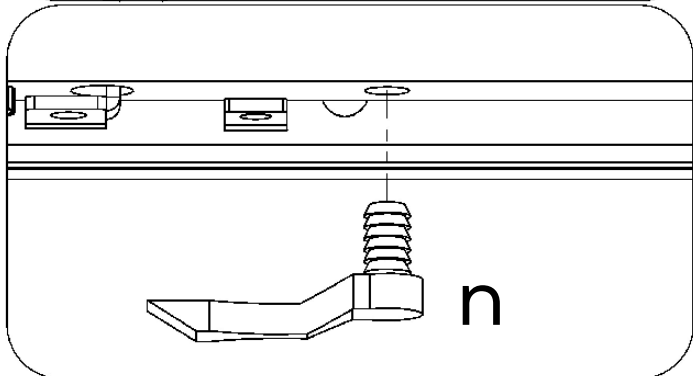
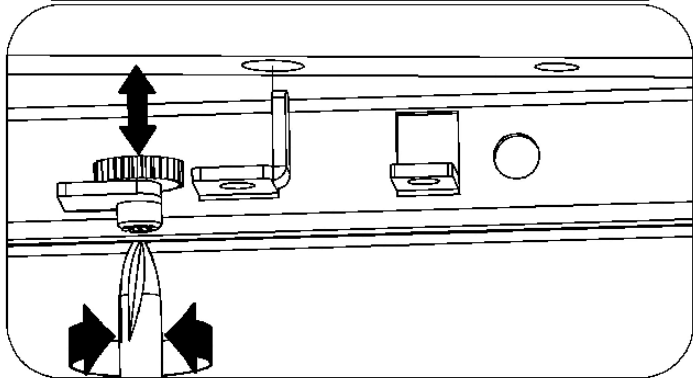
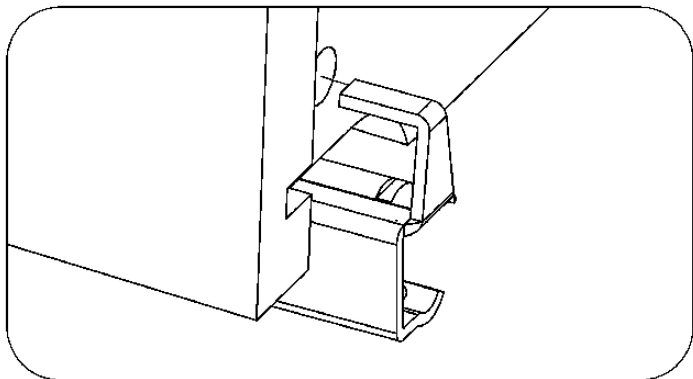
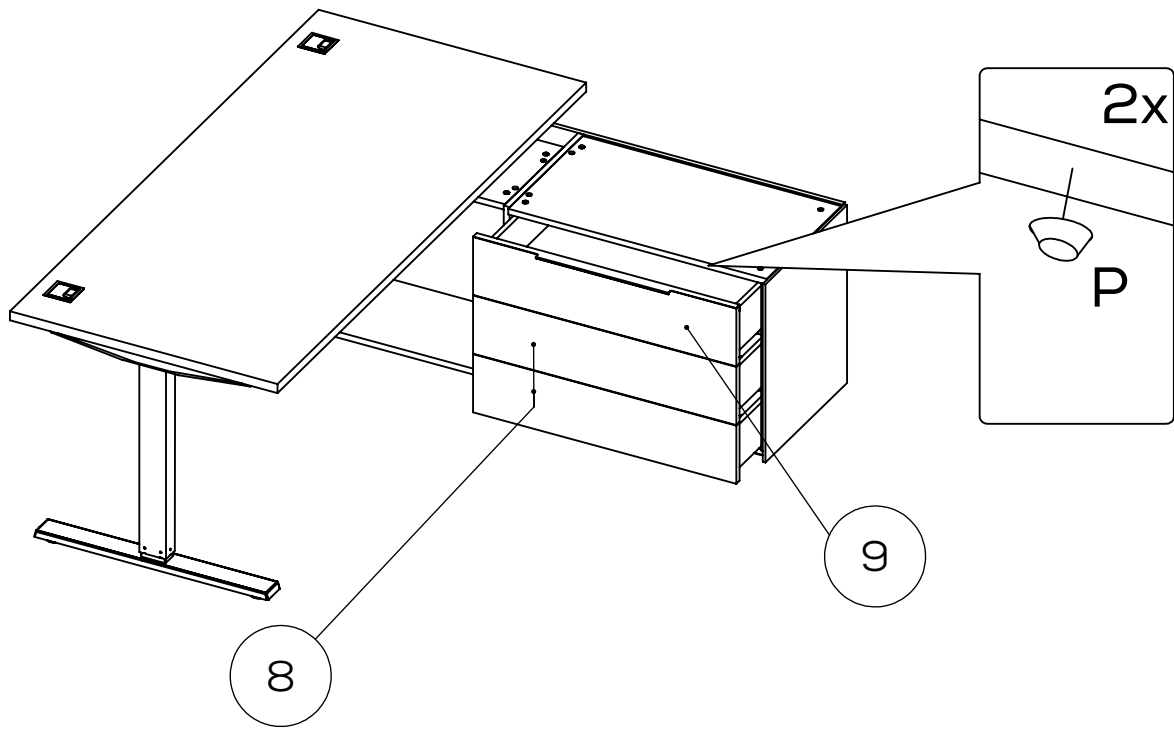
2x



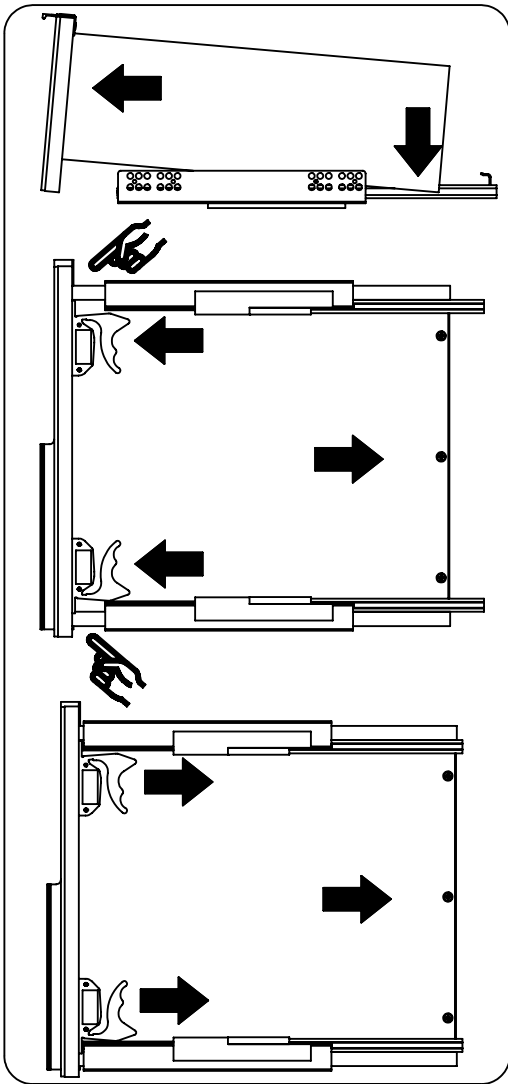
62



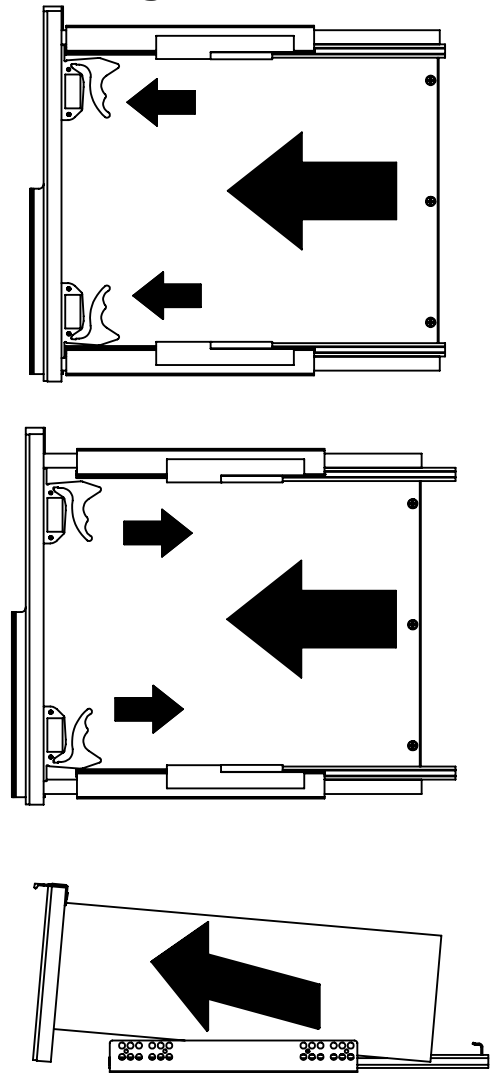




Montage der Schubkästen  
Assembly the drawer  
Montage des tiroirs



Demontage der Schubkästen  
Dismantling the drawer  
Démontage des tiroirs



Höhenverstellung der Schubkästen  
Height adjustment of the drawer  
Réglage de la hauteur des tiroirs

