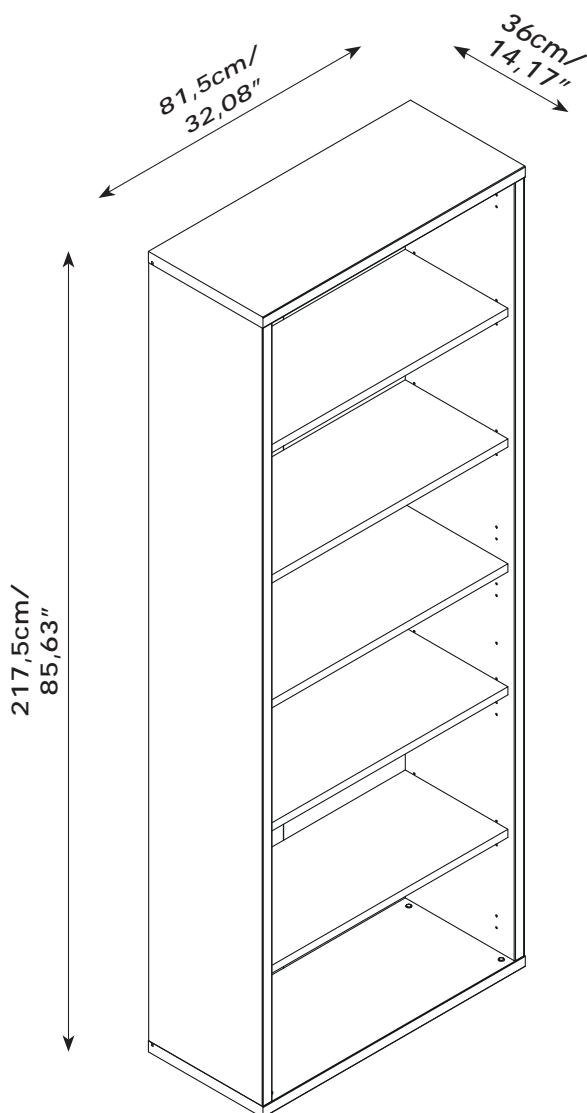
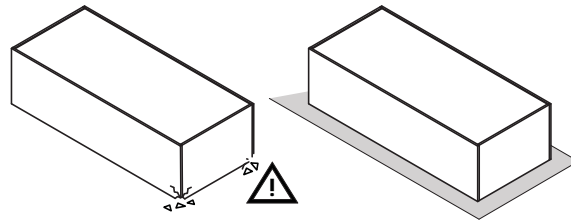
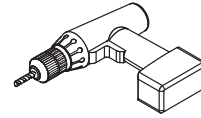
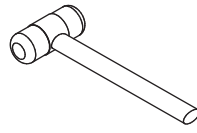
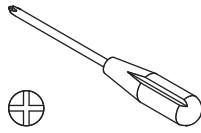
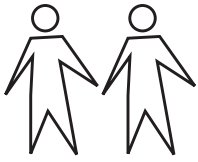


LB4801B



QF5181



IT IS RECOMMENDED THAT THE ANTI-TIP KIT INCLUDED WITH THIS PRODUCT BE INSTALLED FOR ADDED SAFETY AND STABILITY.

IT IS ESSENTIAL TO USE WALL ANCHORS APPROPRIATE FOR YOUR WALL TYPE (I.E. PLASTER, DRYWALL, CONCRETE, ETC.), ALONG WITH APPROPRIATE SCREWS, FOR PROPER MOUNTING.

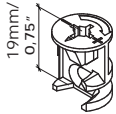
THE SCREWS INCLUDED IN THIS ANTI-TIP KIT MAY NOT BE SUITED FOR ALL WALL TYPES. MOUNTING TO WOOD STUDS IS RECOMMENDED.

CONSULT A QUALIFIED PROFESSIONAL OR YOUR LOCAL HARDWARE STORE FOR APPROPRIATE MOUNTING HARDWARE SUITED FOR YOUR SPECIFIC WALL MEDIUM.

BU3401



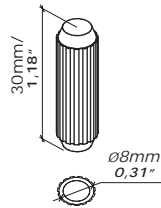
T7
x4



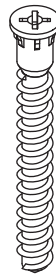
T97
x4



T28
x8



H1
x12



V57
x4



H2
x20



V5
x20



V81
x2



H129
x2



R40
x16



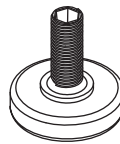
G031
x22



G120
x4



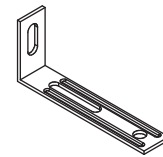
G57
x4



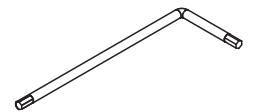
P25
x4



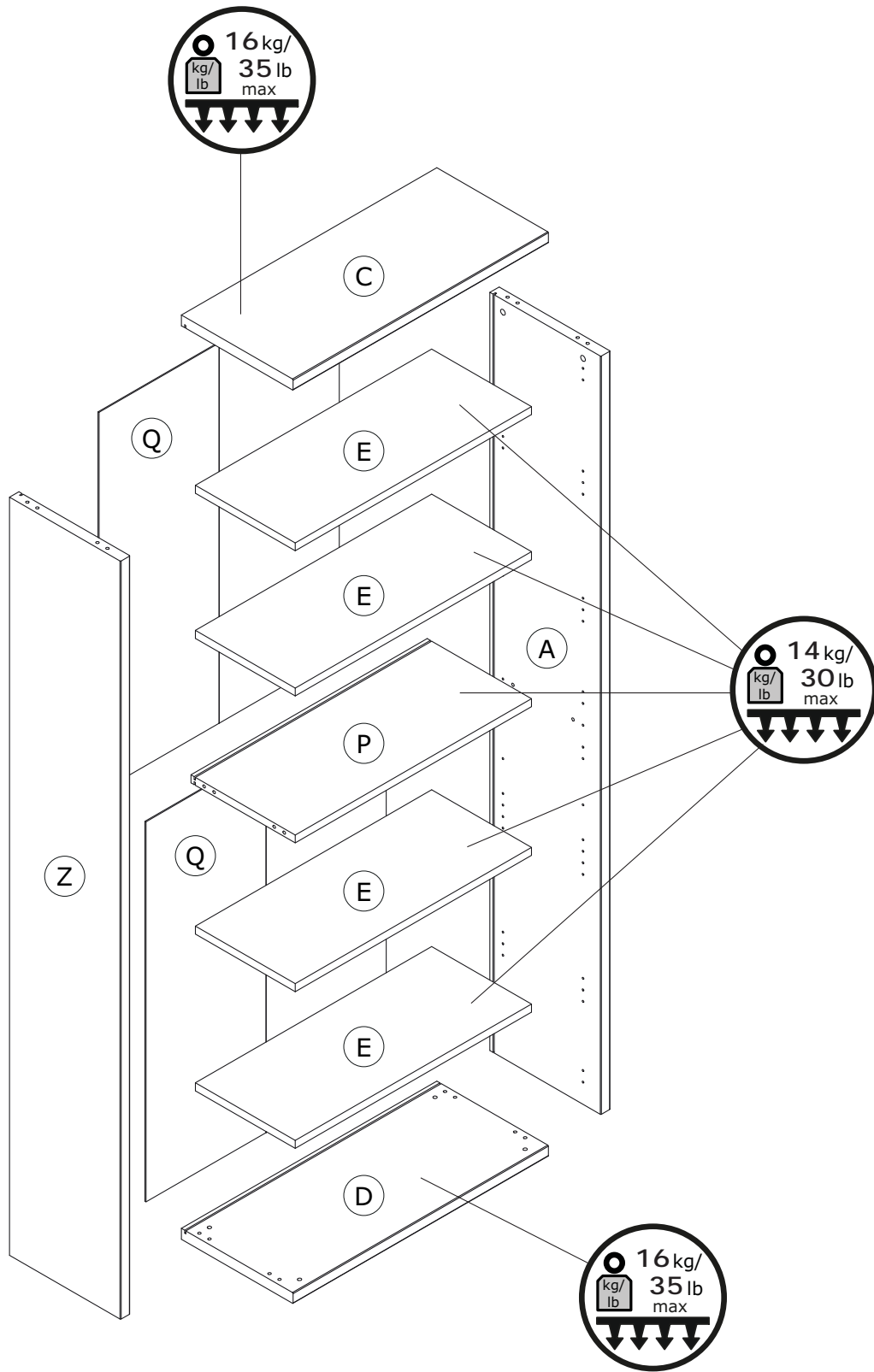
H118
x4

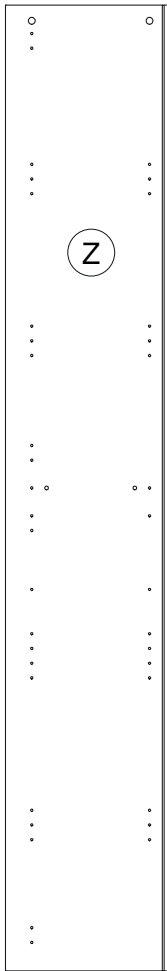


H185
x1

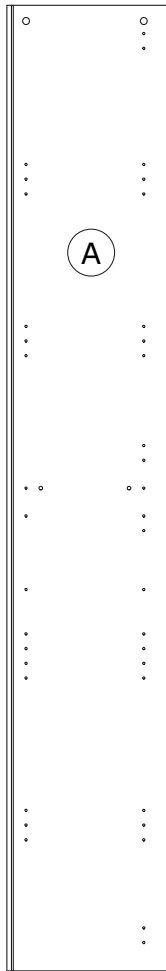


H138
x1

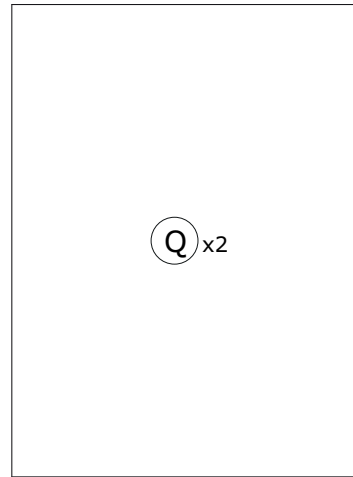




FI8314
2100x355x30mm/
82,68" x 13,98" x 1,18"

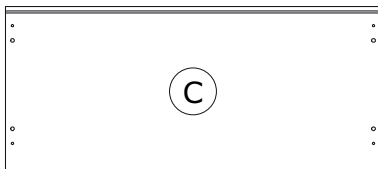


FI8312
2100x355x30mm/
82,68" x 13,98" x 1,18"

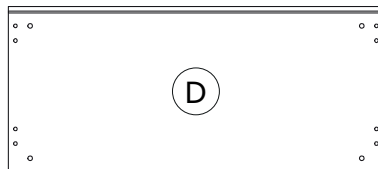


SH3190
1053x768x2mm/
41,46" x 30,24" x 0,08"

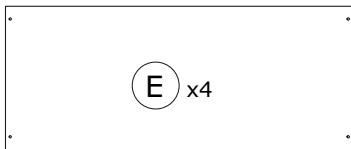
BOX 1/2



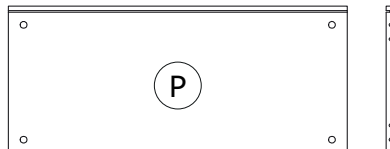
CA3407
816x357x30mm/
32,01" x 14,06" x 1,18"



BA2095
816x357x30mm/
32,12" x 14,05" x 1,18"



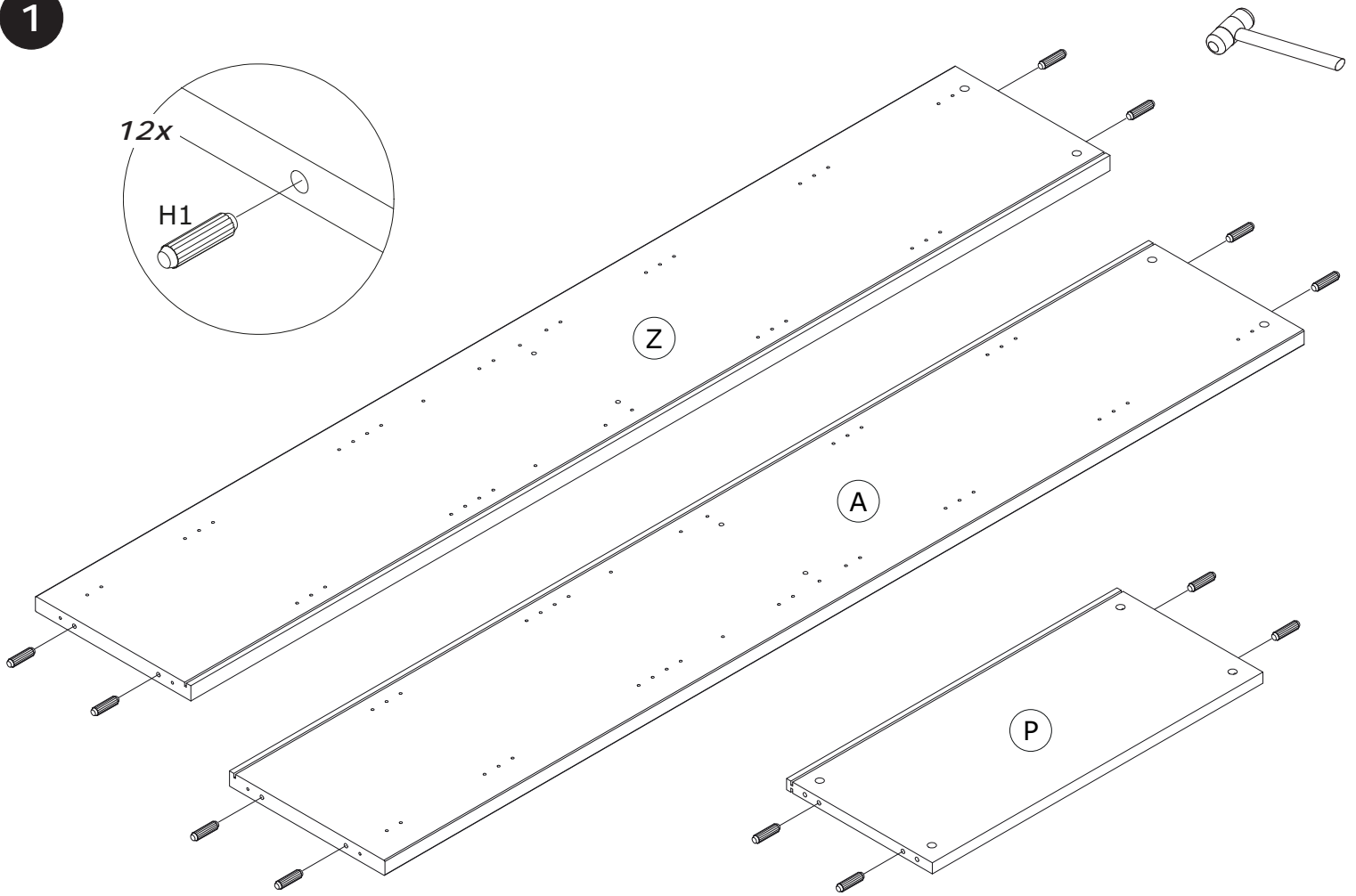
PI6991
755x319x22mm/
29,72" x 12,56" x 0,87"



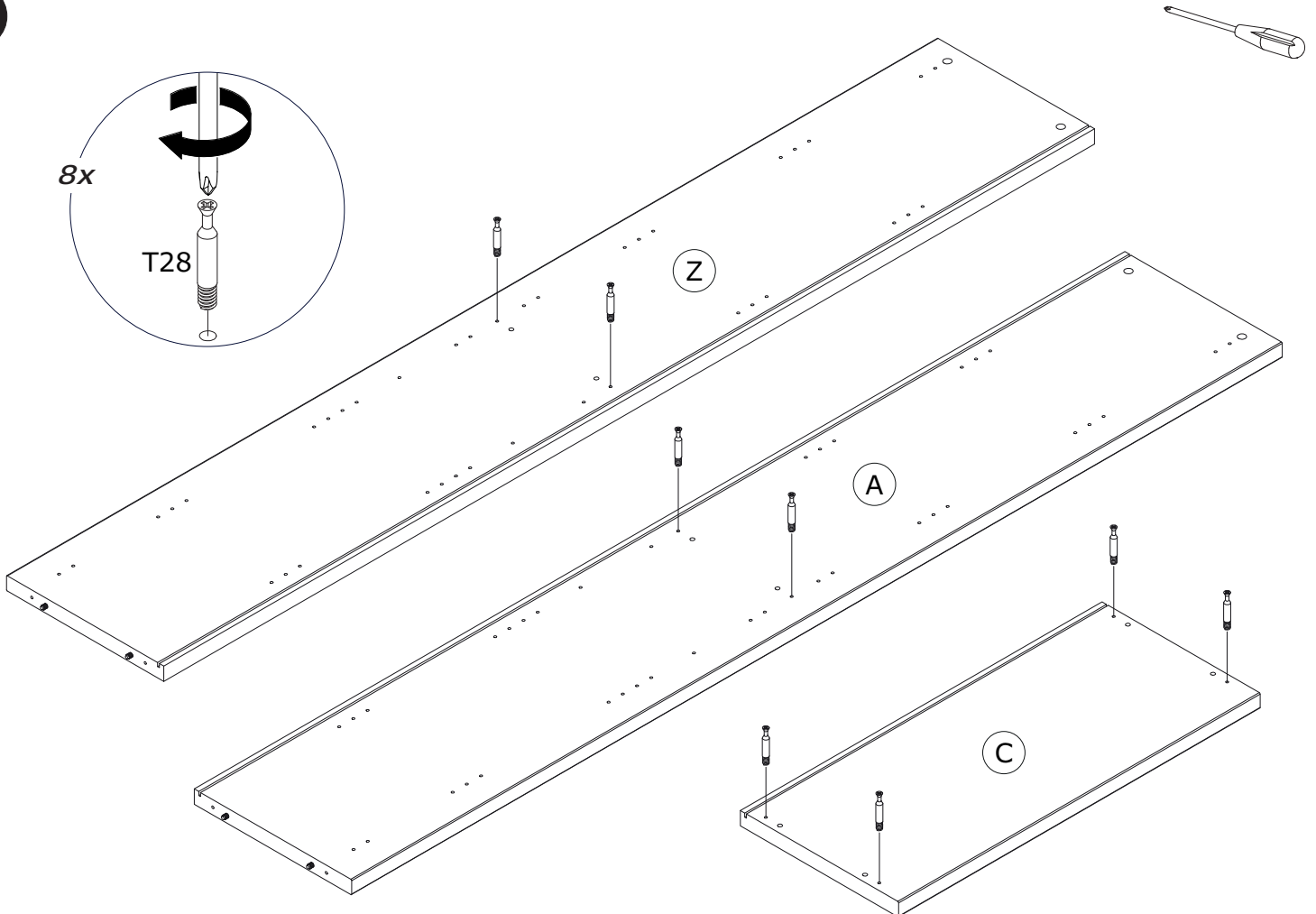
PI6992
755x333x22mm/
29,72" x 13,11" x 0,87"

BOX 2/2

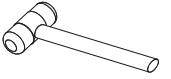
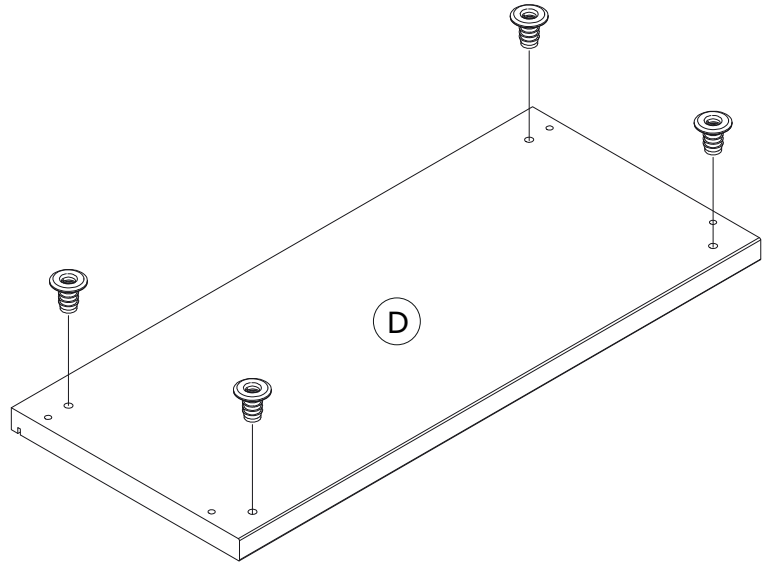
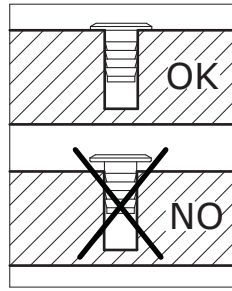
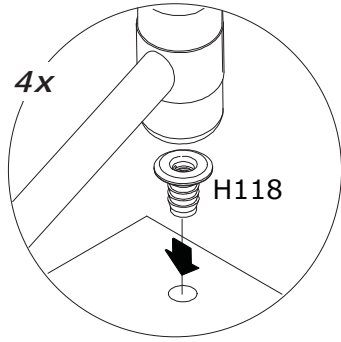
1



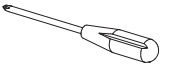
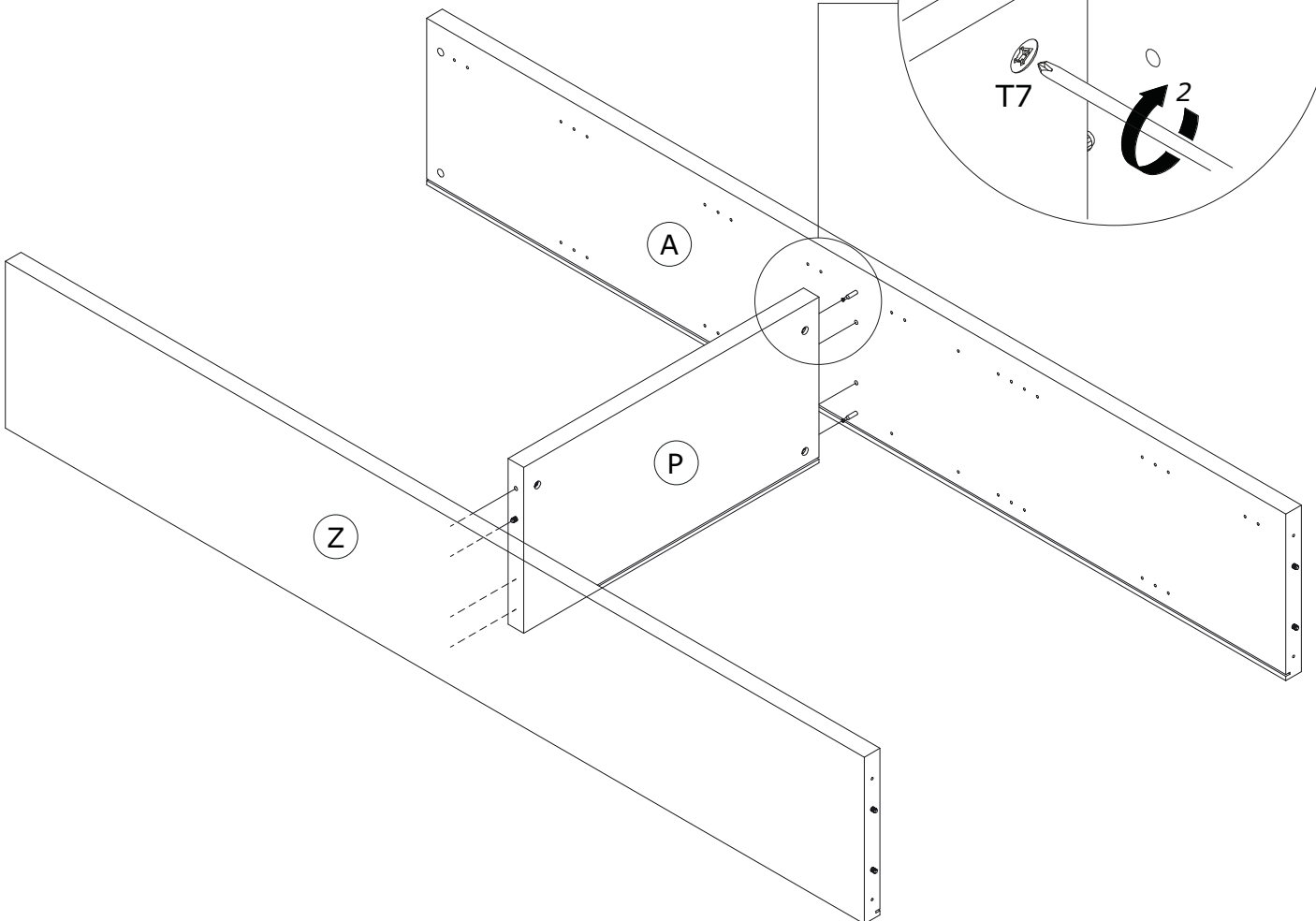
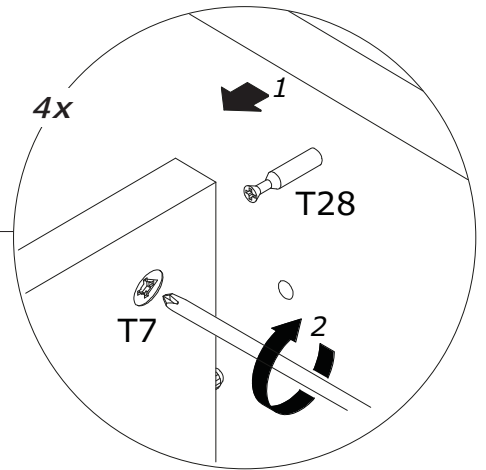
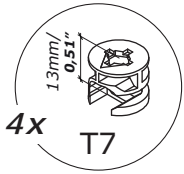
2



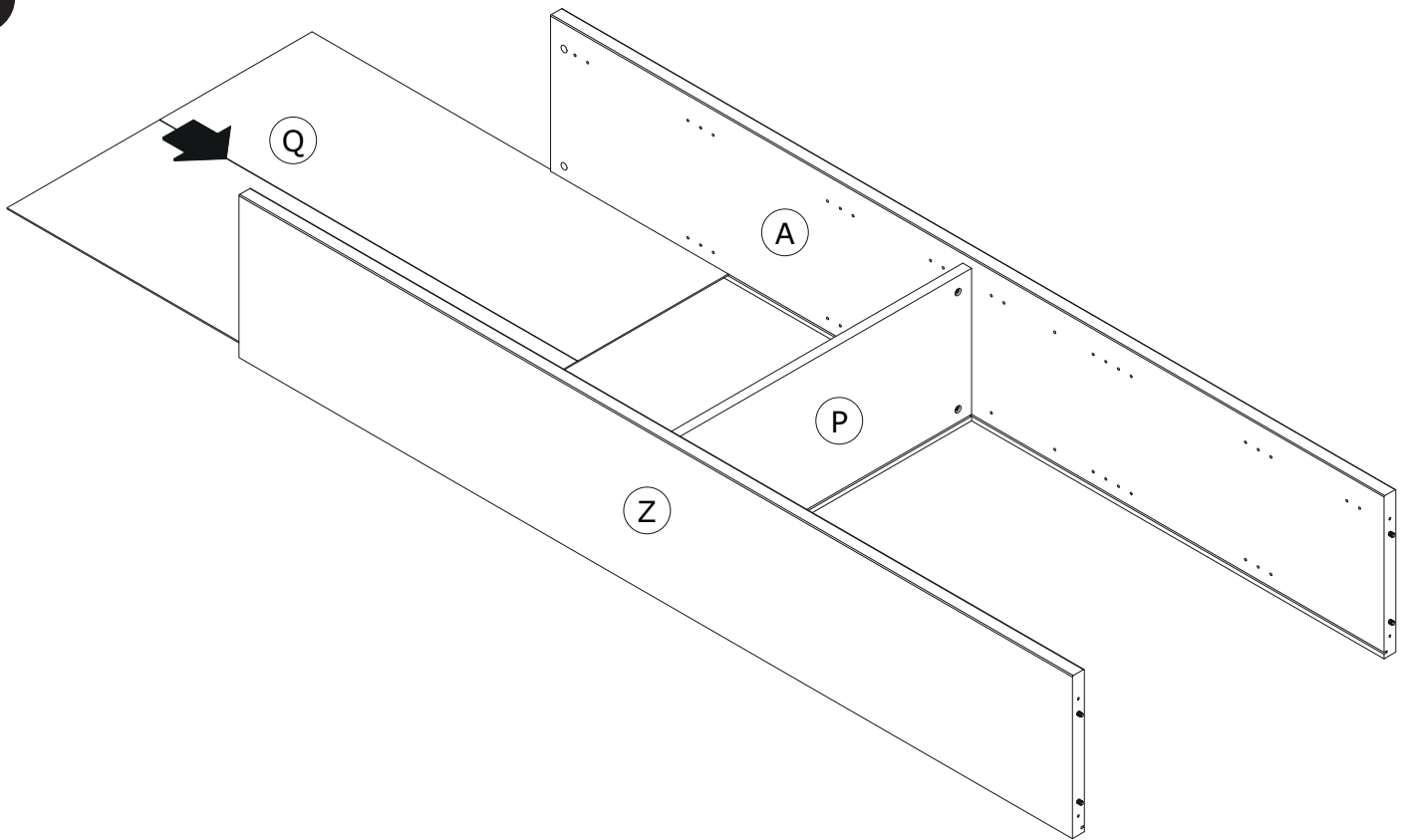
3



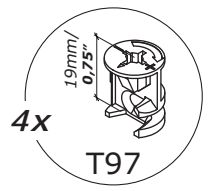
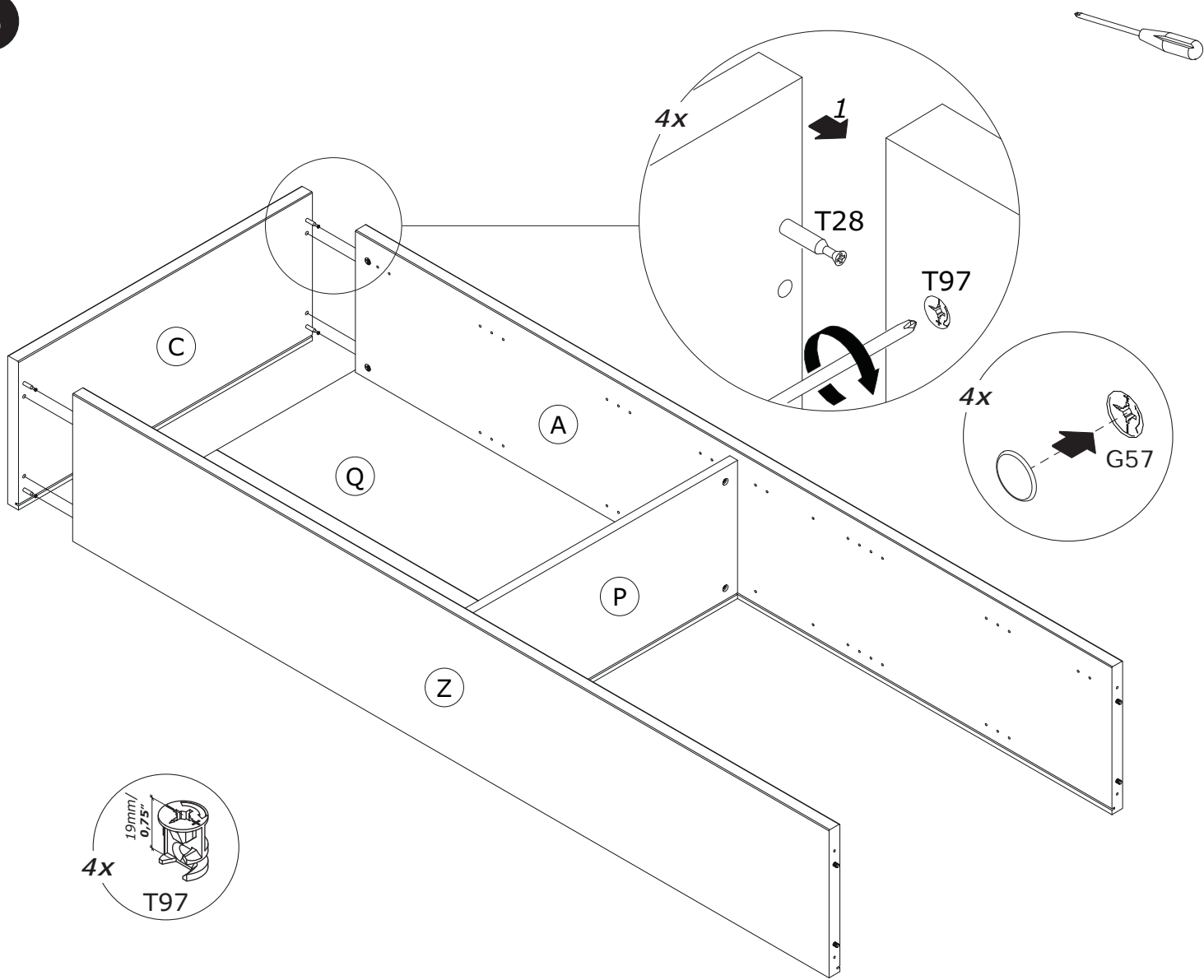
4



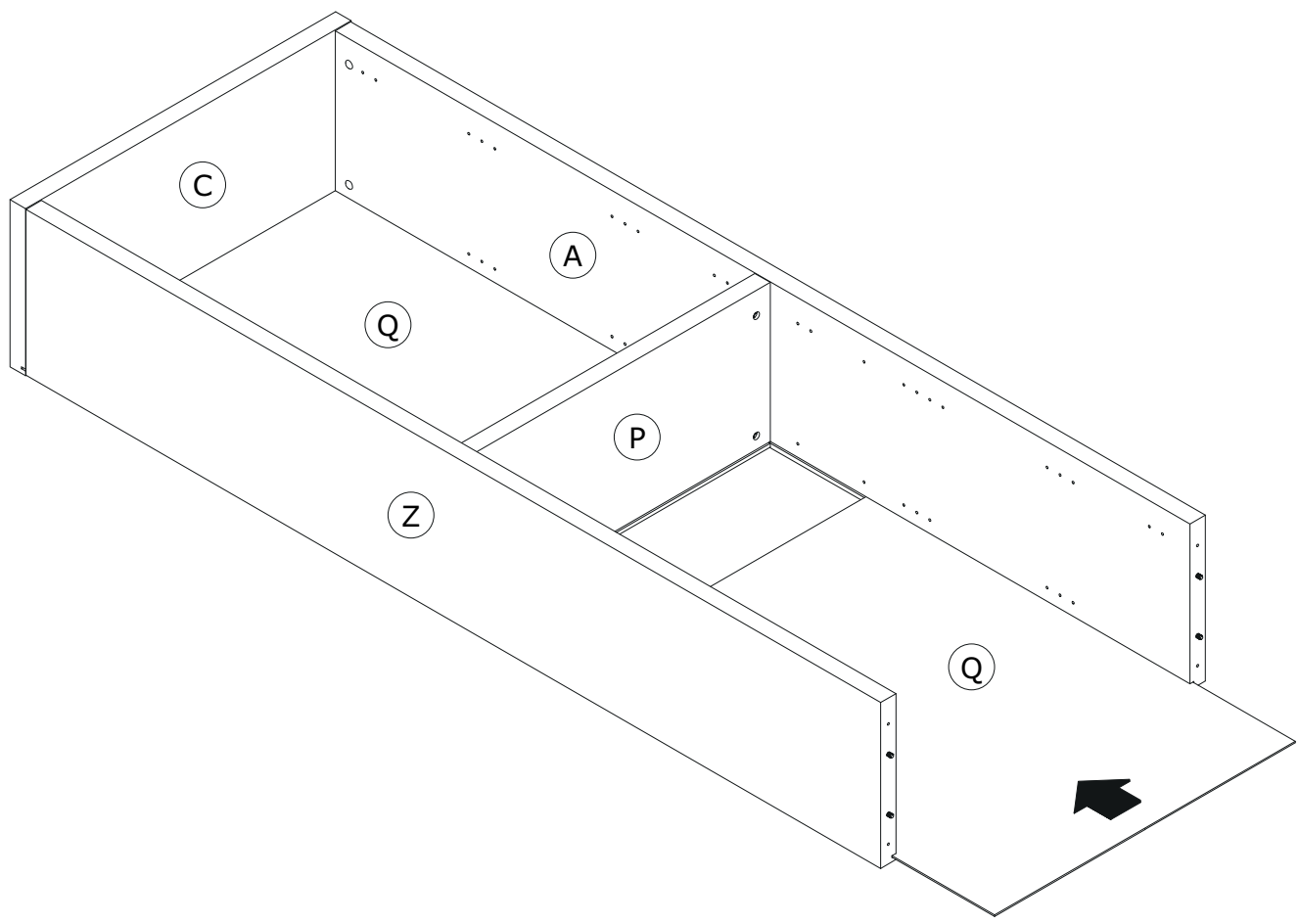
5



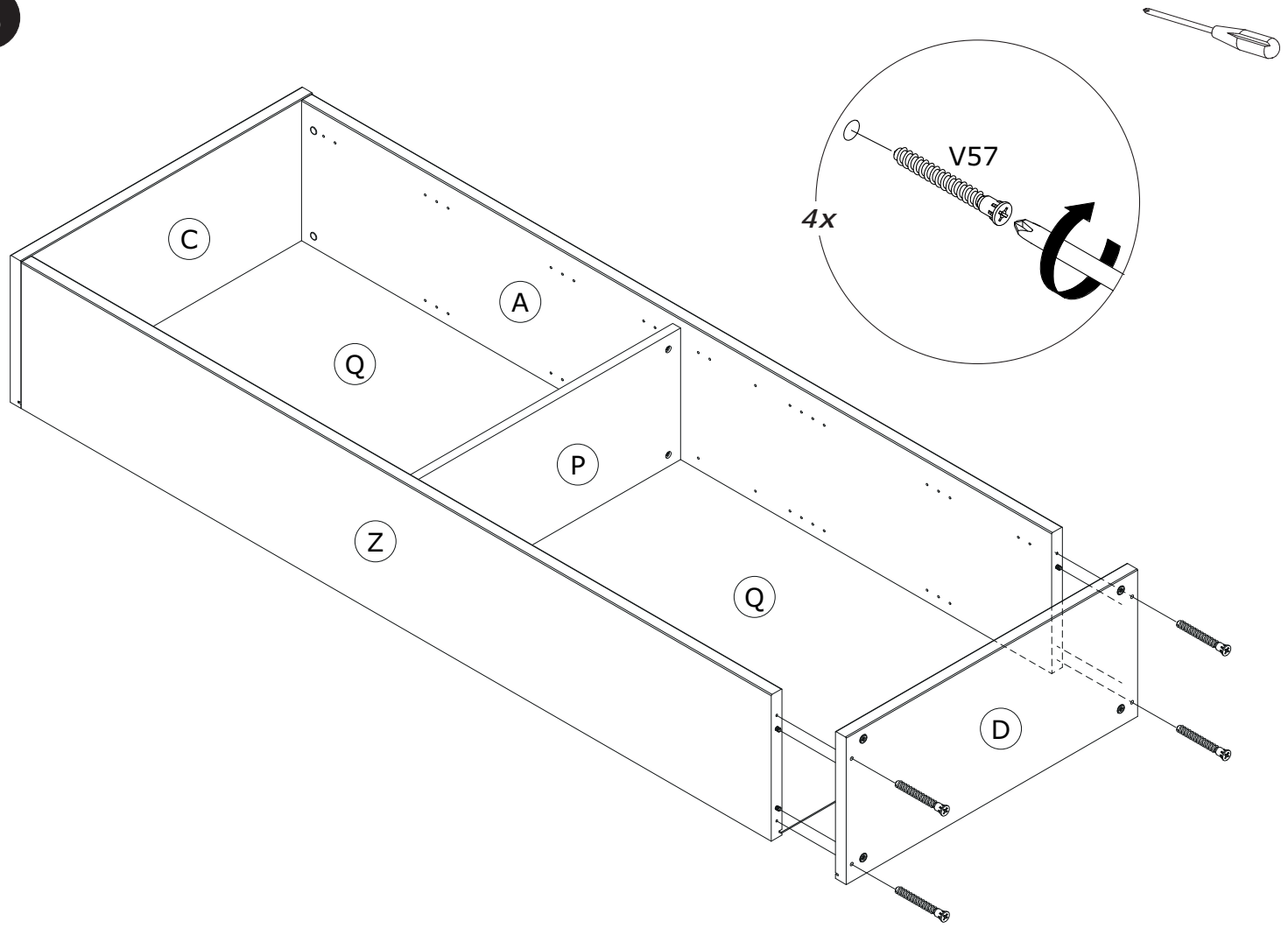
6



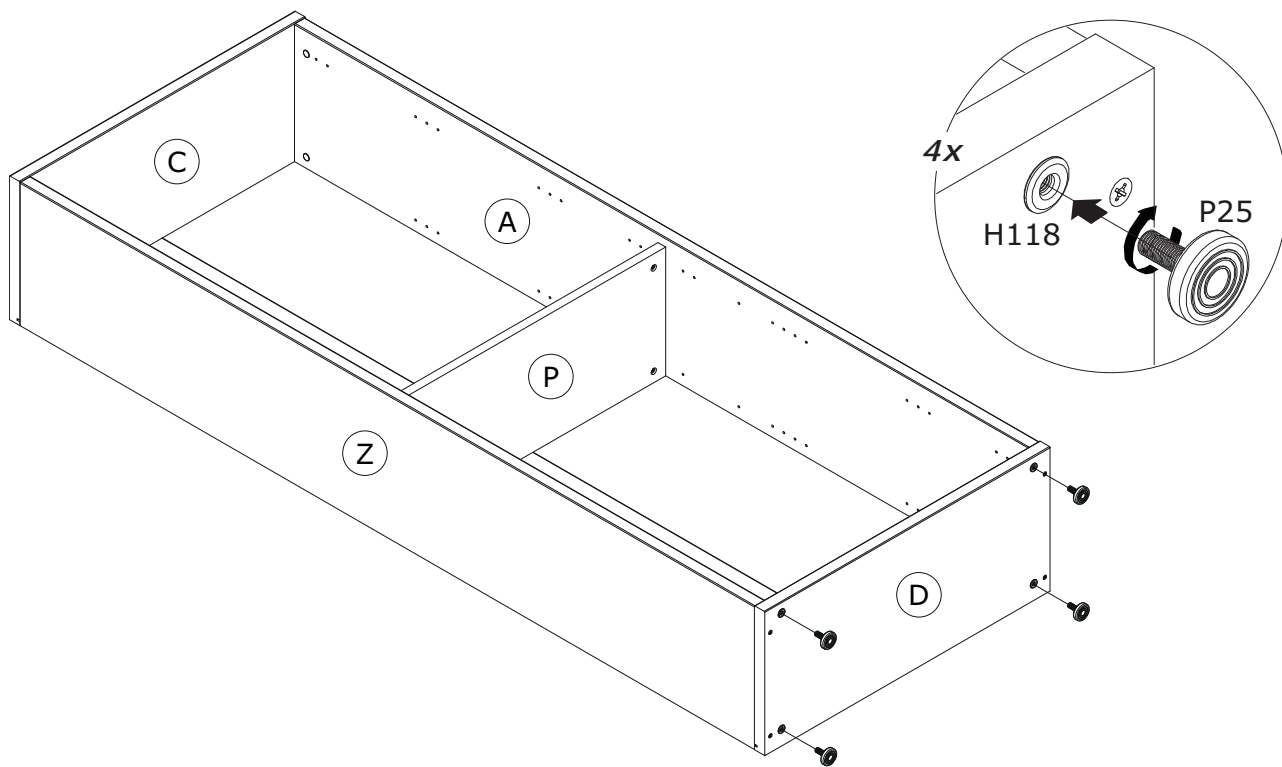
7



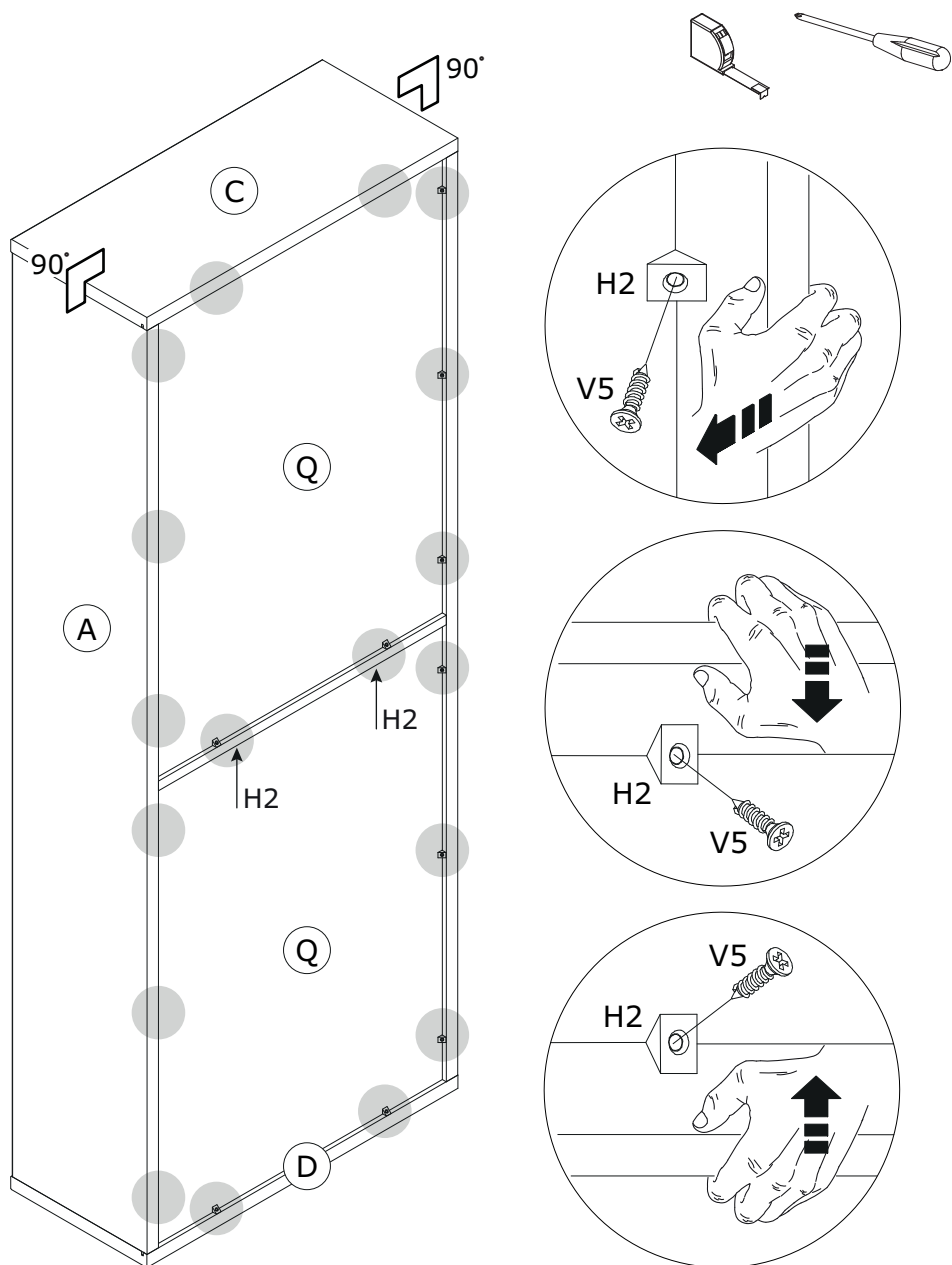
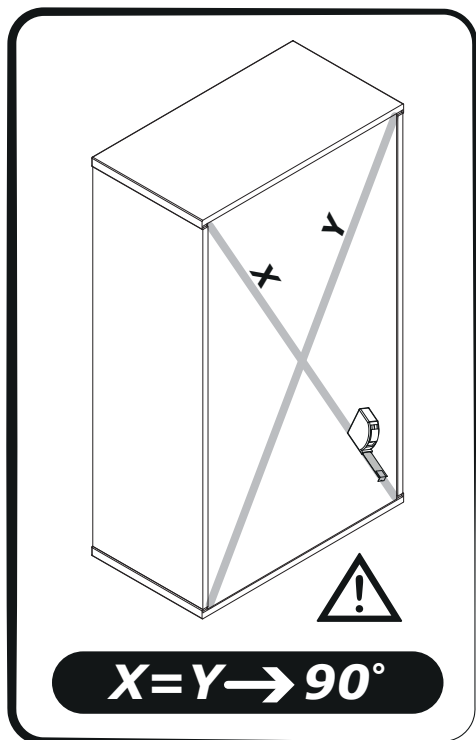
8

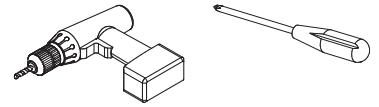


9



10



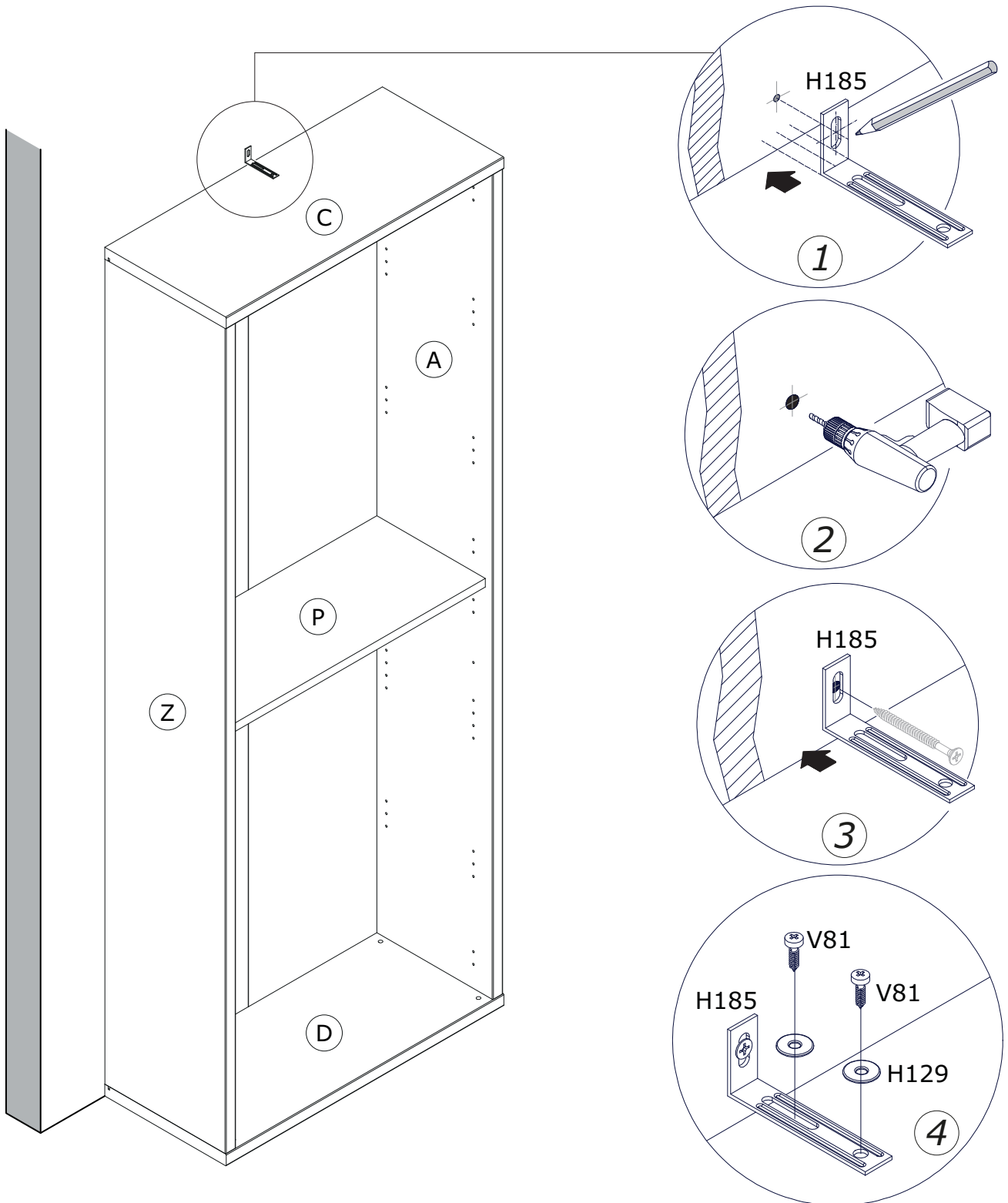


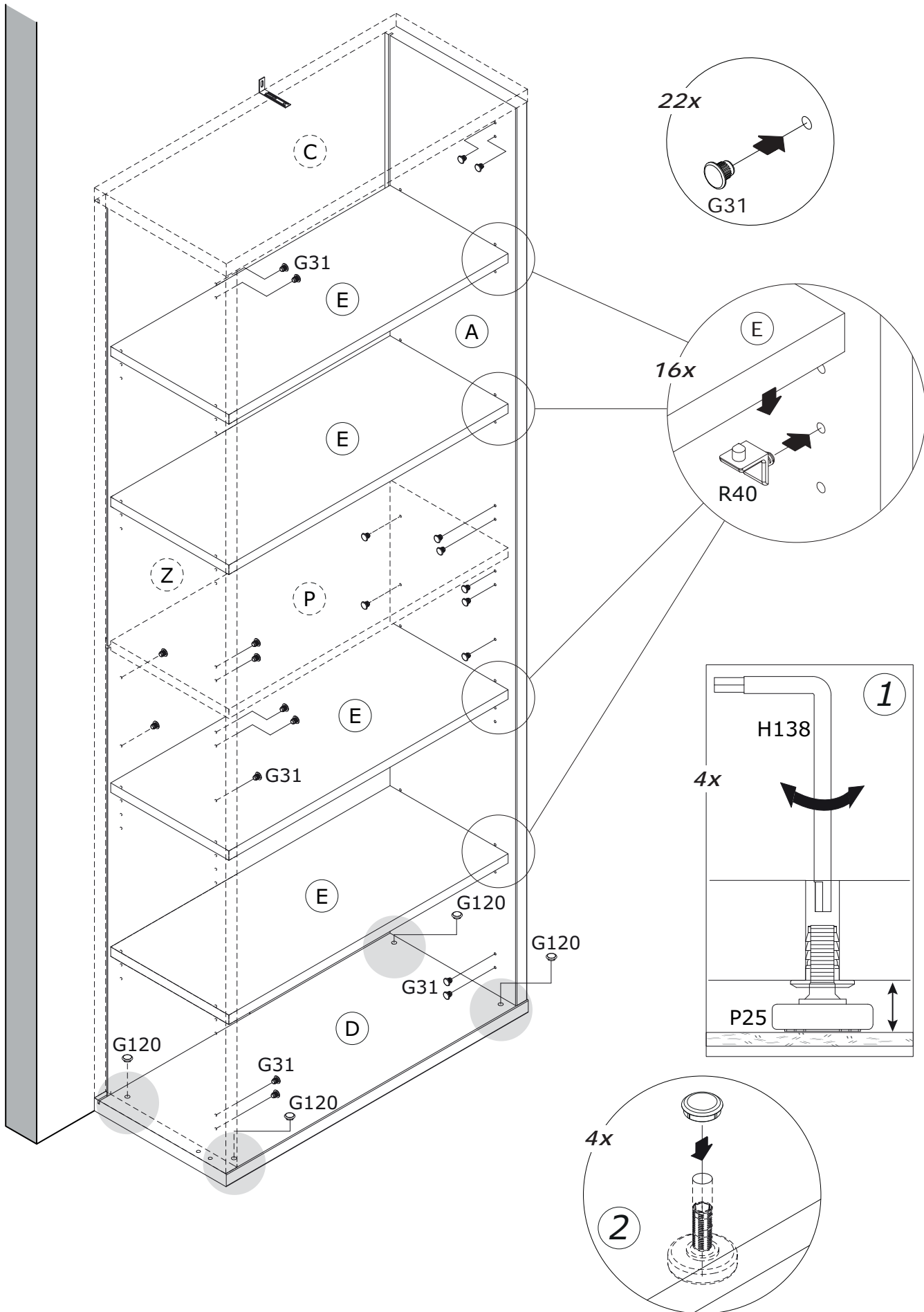
IT IS RECOMMENDED THAT THE ANTI-TIP KIT INCLUDED WITH THIS PRODUCT BE INSTALLED FOR ADDED SAFETY AND STABILITY.

IT IS ESSENTIAL TO USE WALL ANCHORS APPROPRIATE FOR YOUR WALL TYPE (I.E. PLASTER, DRYWALL, CONCRETE, ETC.), ALONG WITH APPROPRIATE SCREWS, FOR PROPER MOUNTING.

THE SCREWS INCLUDED IN THIS ANTI-TIP KIT MAY NOT BE SUITED FOR ALL WALL TYPES. MOUNTING TO WOOD STUDS IS RECOMMENDED.

CONSULT A QUALIFIED PROFESSIONAL OR YOUR LOCAL HARDWARE STORE FOR APPROPRIATE MOUNTING HARDWARE SUITED FOR YOUR SPECIFIC WALL MEDIUM.

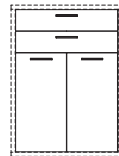
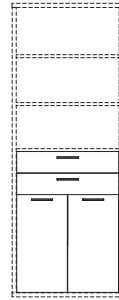
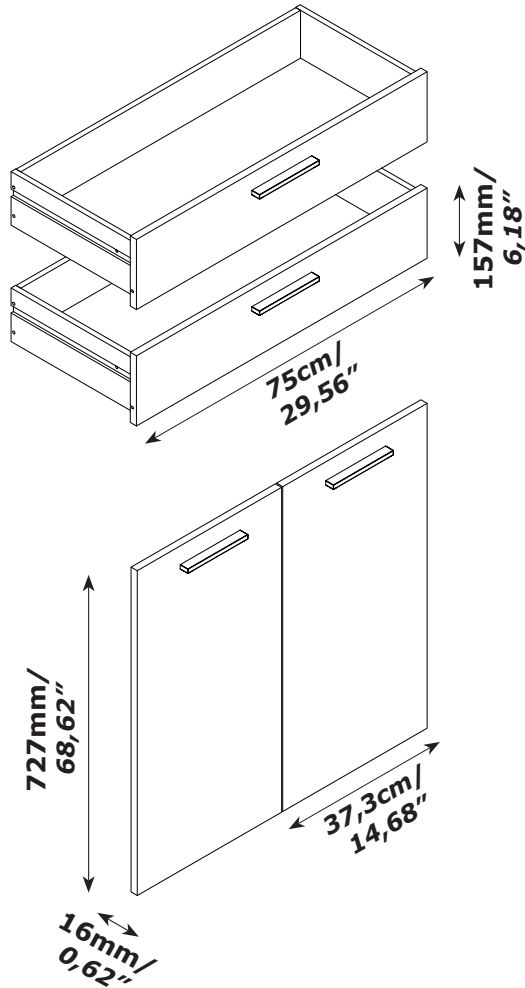




AN4868B80305



MIX
Wood | Supporting
responsible forestry
FSC® C011298



FR

Pensez à
donner ou recycler.



Association

ou



Magasin

ou



Déchèterie

<https://quefairedemesdechets.fr>

QF5961-1

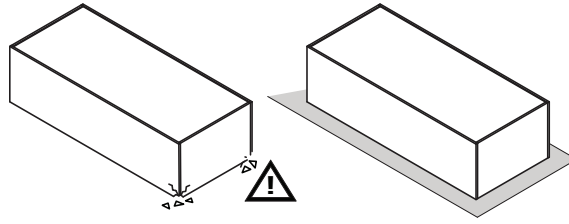
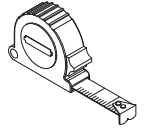
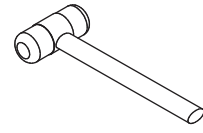
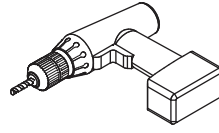
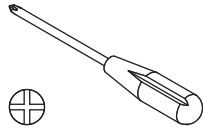
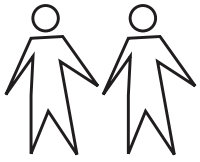


The Eco-Ethical Company

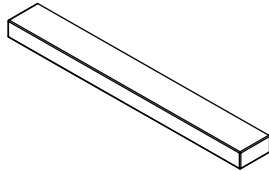


MADE IN ITALY

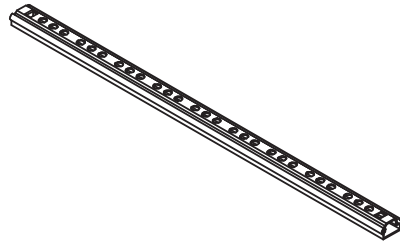
Produced by COMPOSAD srl, Via Lombardia 29, 46019 Viadana (MN) ITALY



BU5083

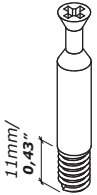


M203
x4

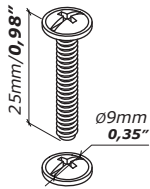


A79
x4

BU4890



T28
x4



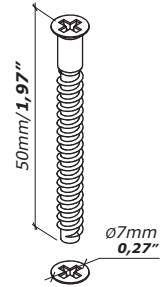
V137
x8



T78
x4



G171
x4



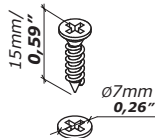
V130
x8



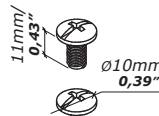
G161
x4



H54
x8



V5
x8

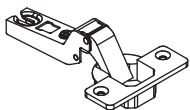


V38
x4

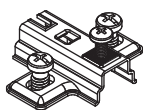


H113
x8

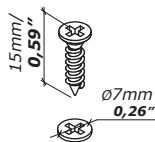
BU5121



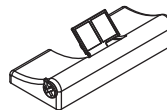
C55
x4



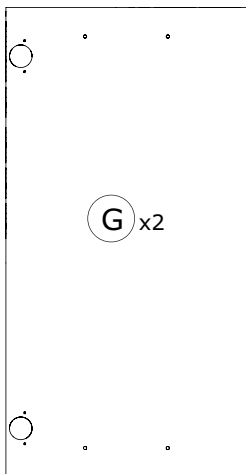
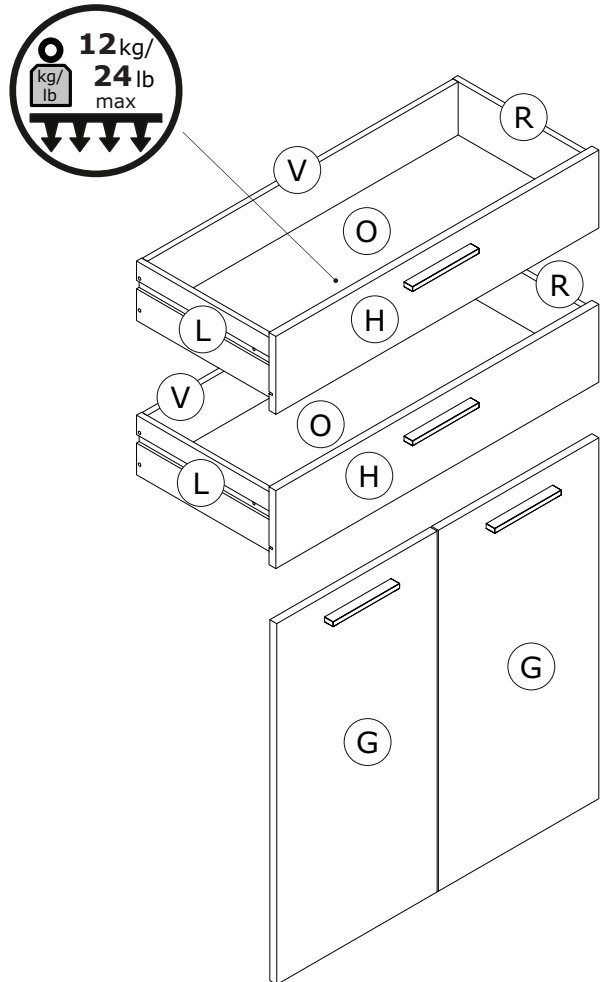
B23
x4



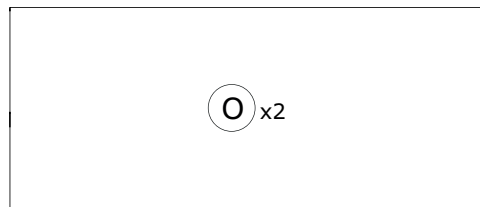
V5
x8



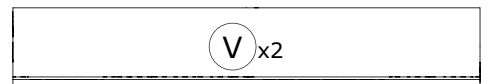
H311
x2



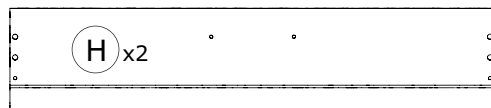
AN3278
727x373x16mm/
28,62"x14,68"x0,62"



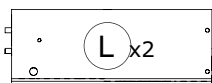
SH3852
734x311x2mm/28,89"x12,24"x0,07"



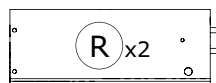
OS0435
723x120x12mm/28,46"x4,72"x0,47"



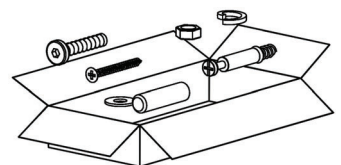
CS4946
751x157x16mm/
29,56"x6,18"x0,62"



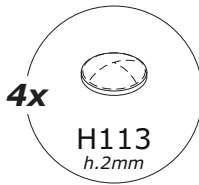
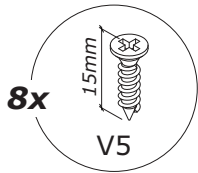
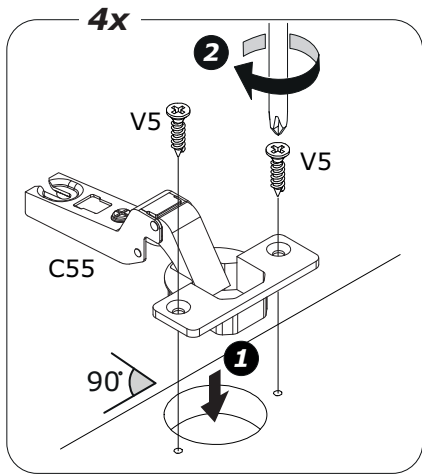
OS0434
310x120x12mm/
12,20"x4,72"x0,47"



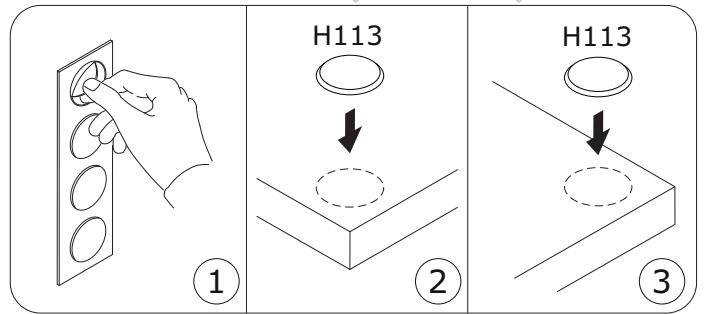
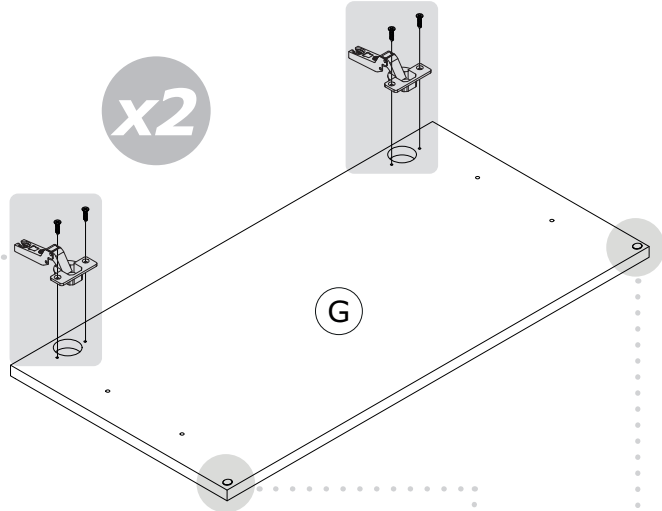
OS0433
310x120x12mm/
12,20"x4,72"x0,47"



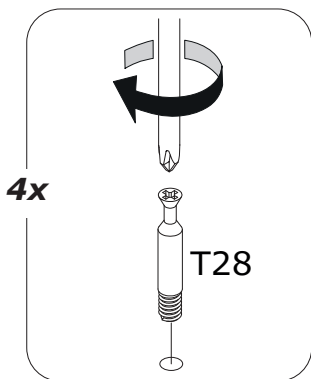
1



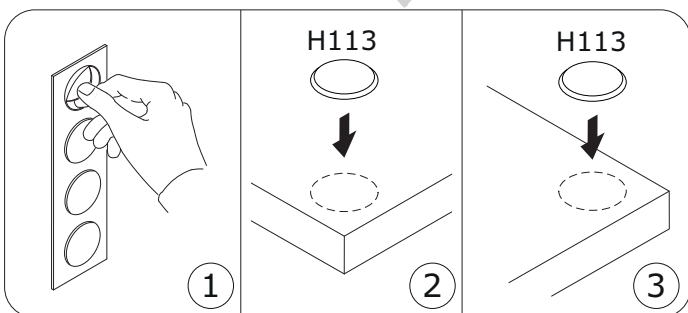
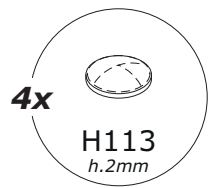
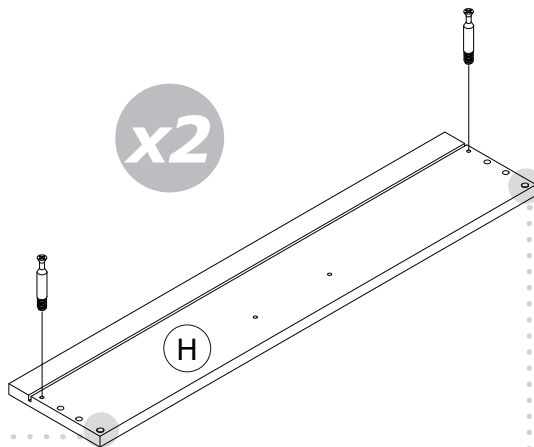
x2



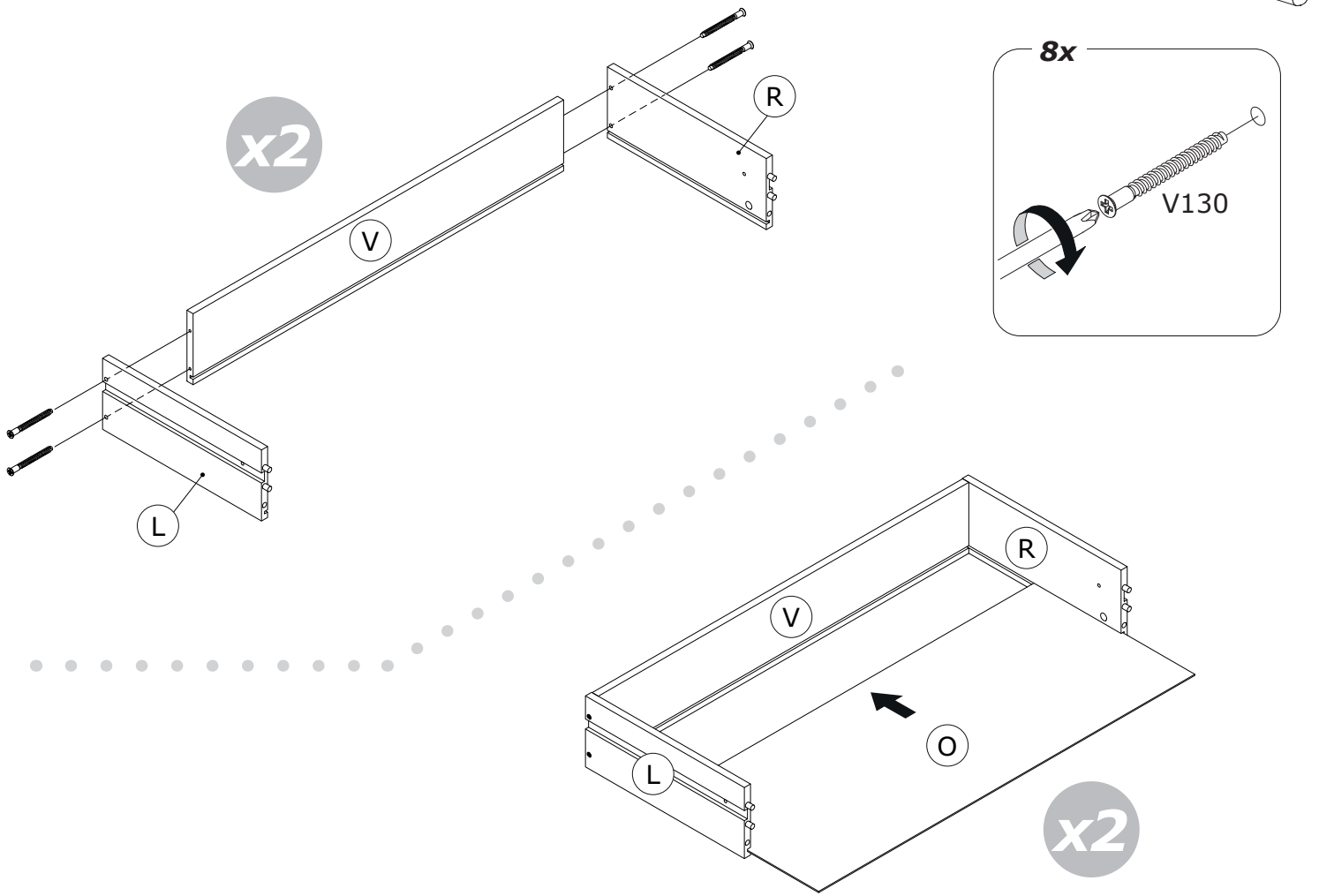
2



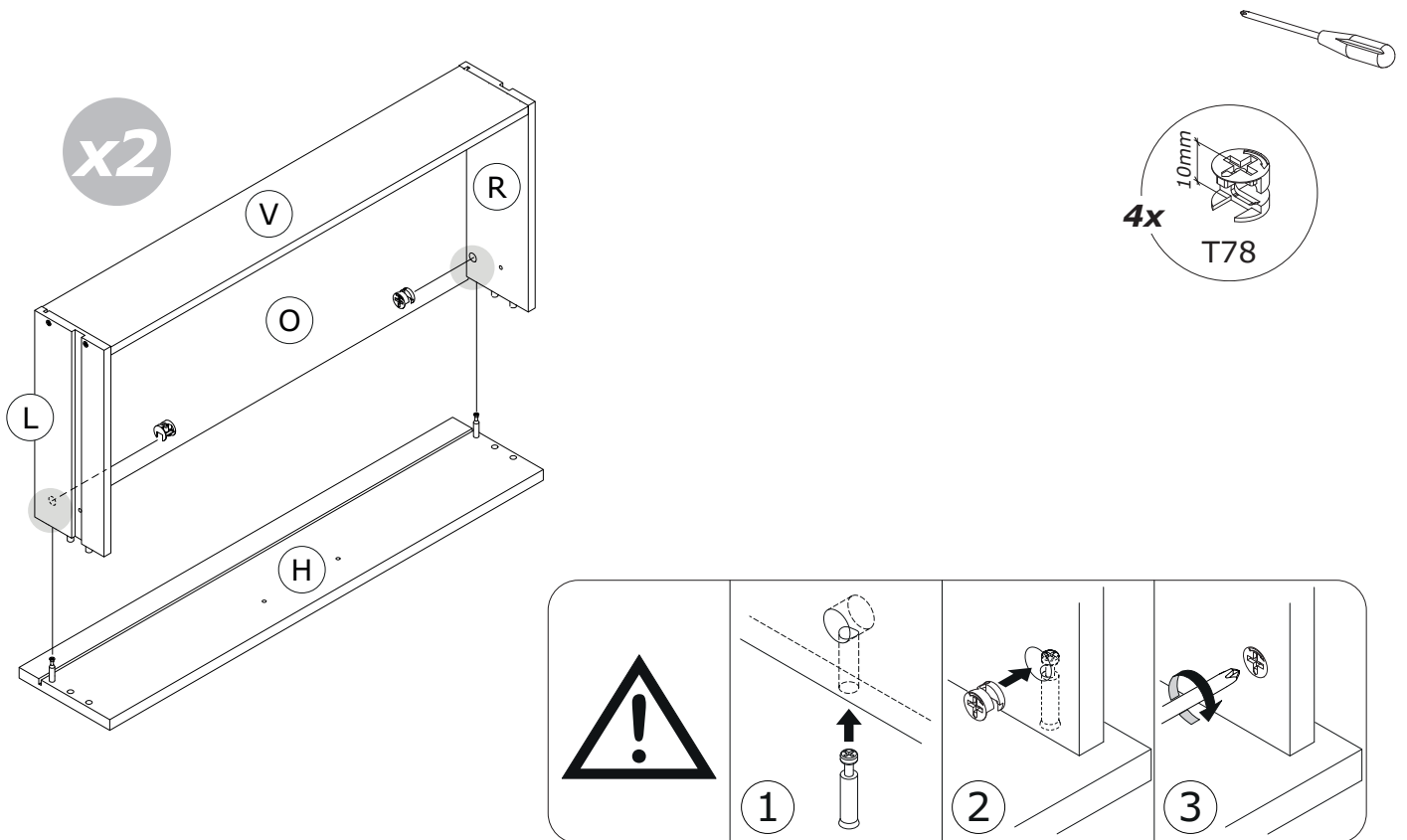
x2



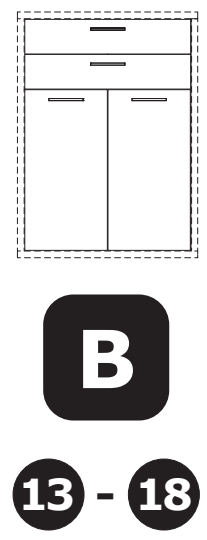
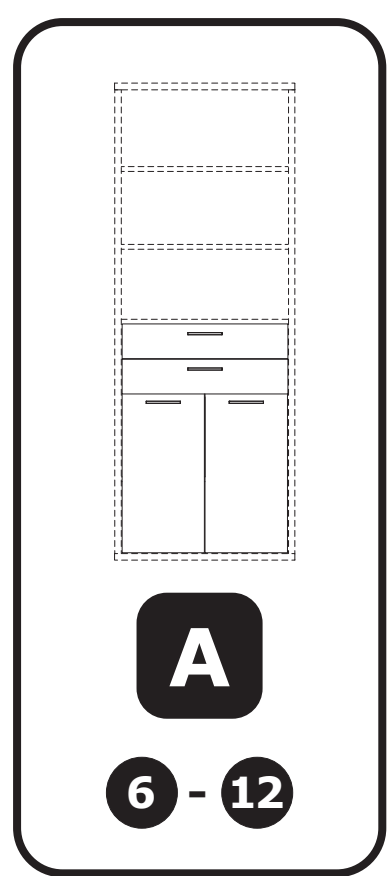
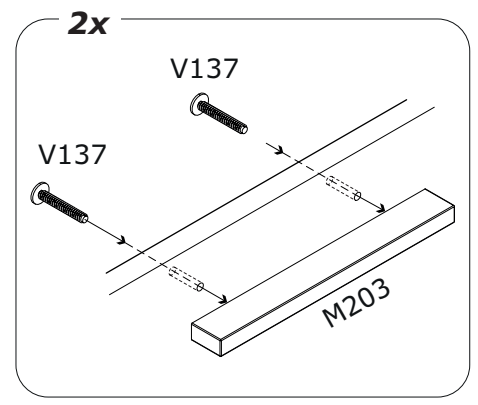
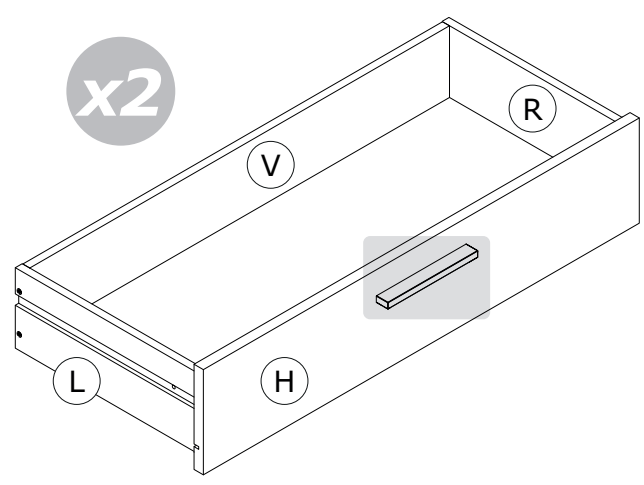
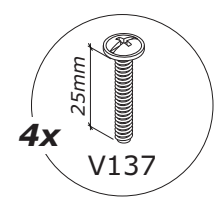
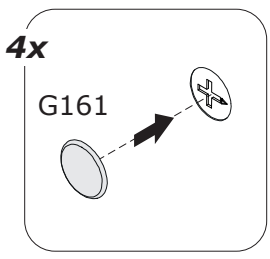
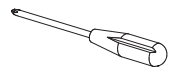
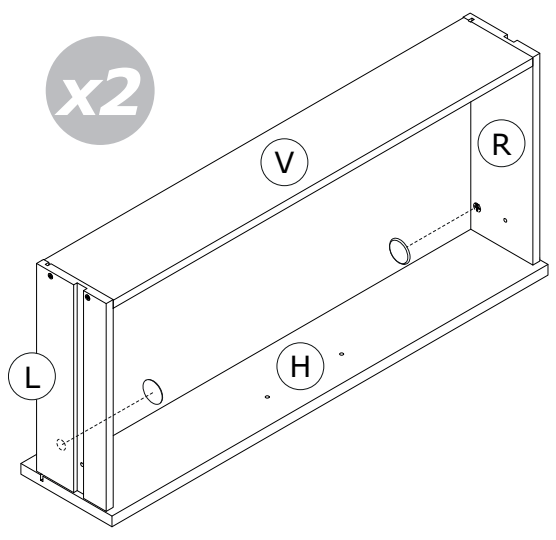
3



4

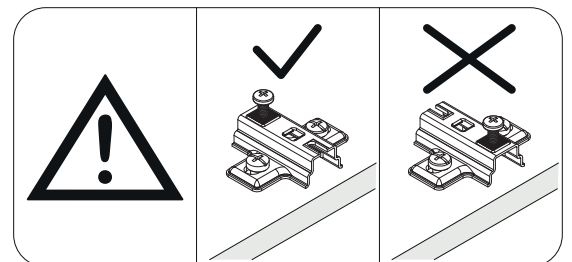
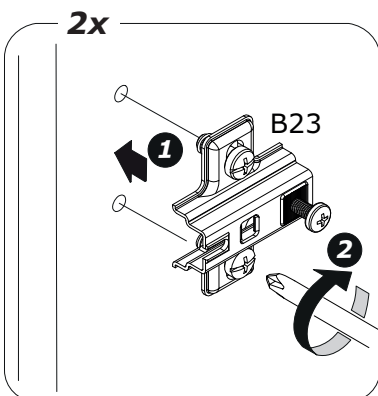
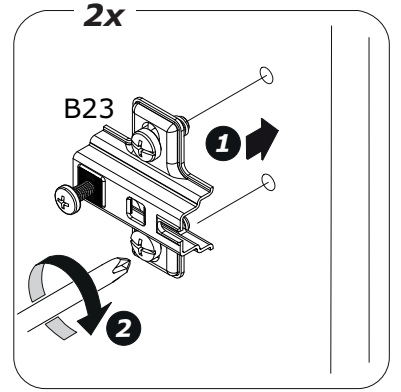
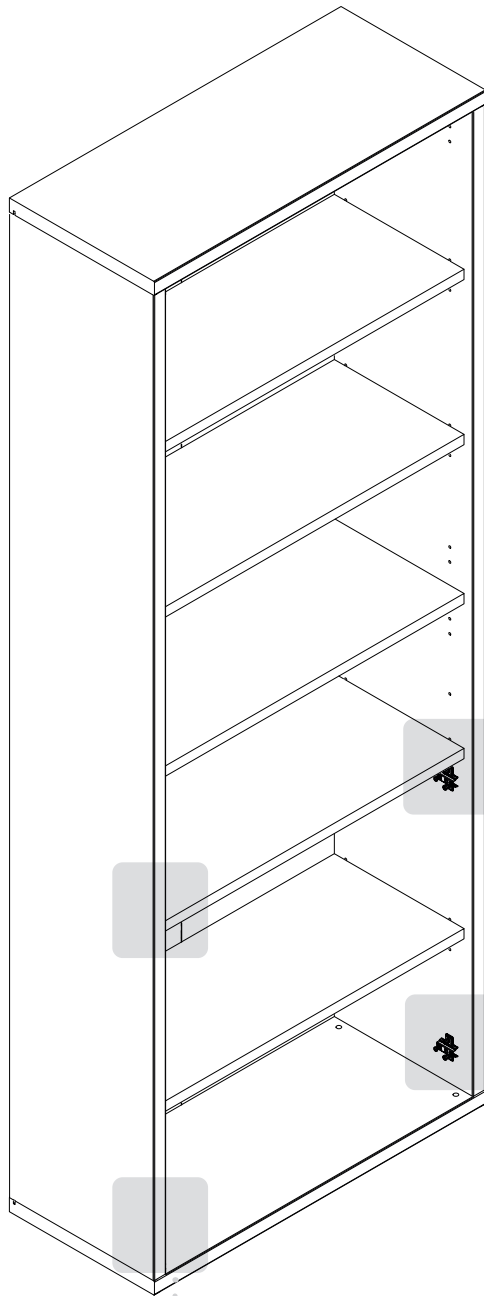
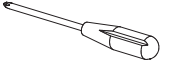


5



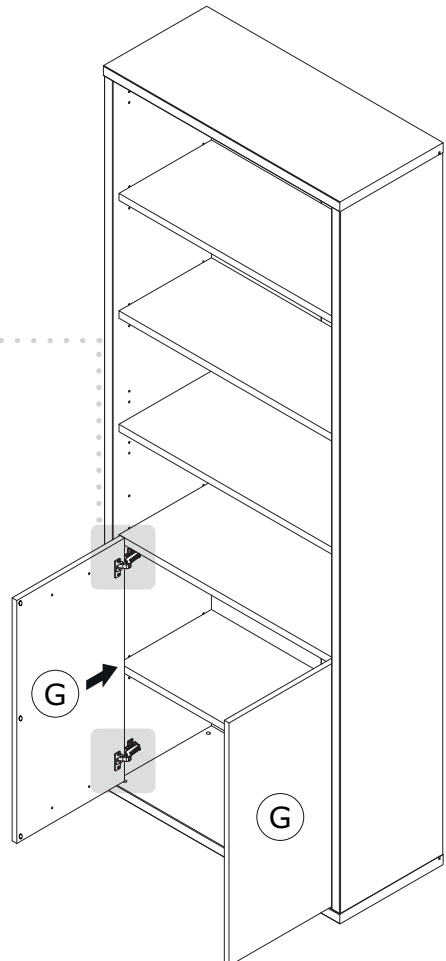
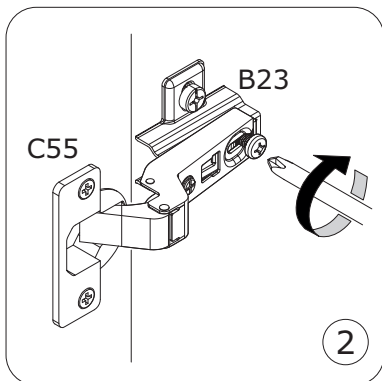
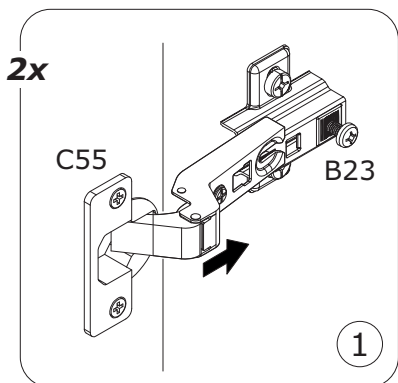
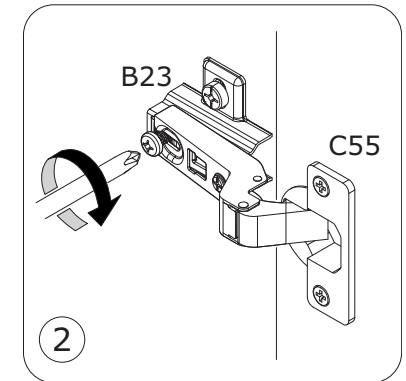
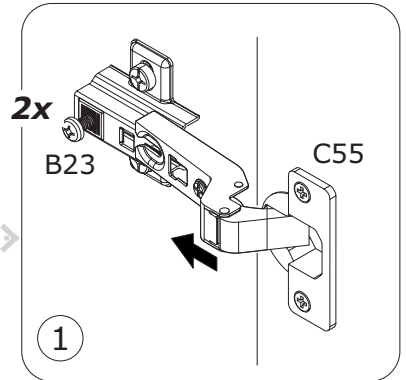
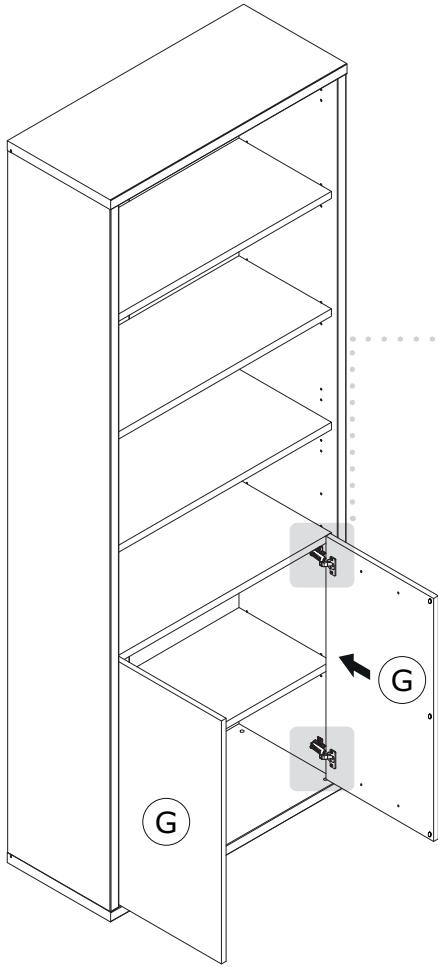
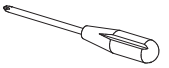
6

A

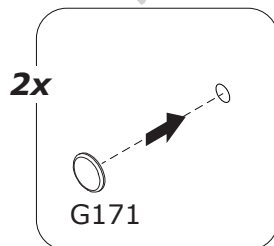
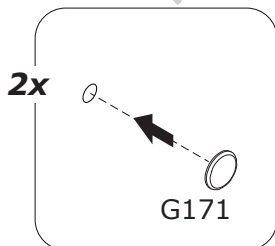
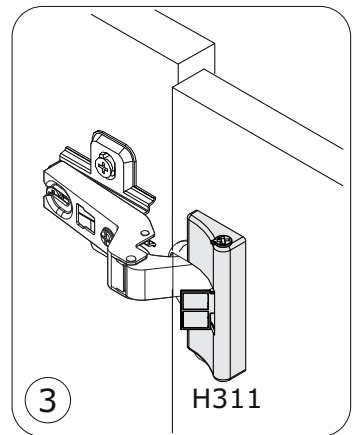
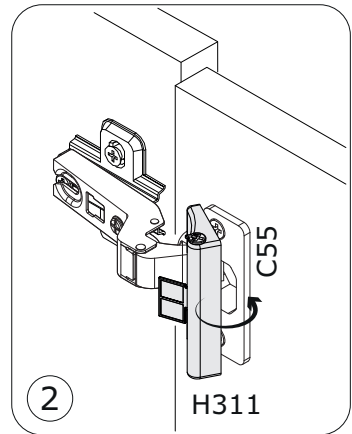
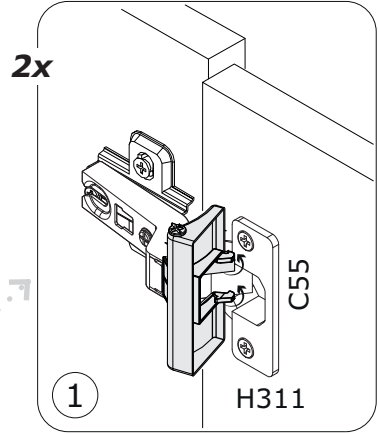
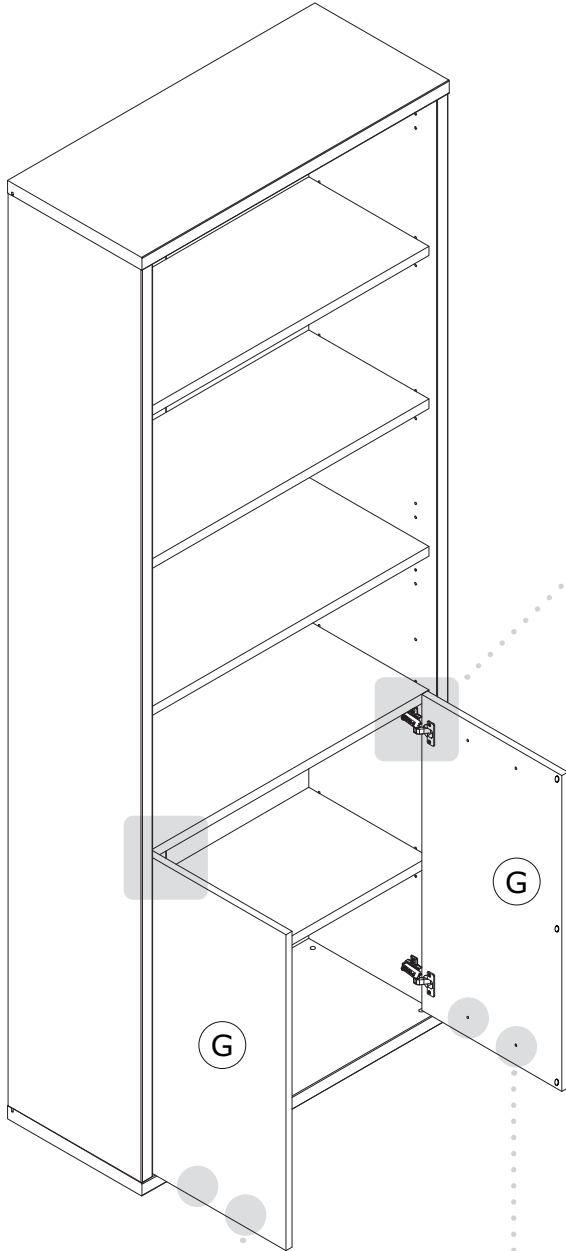


7

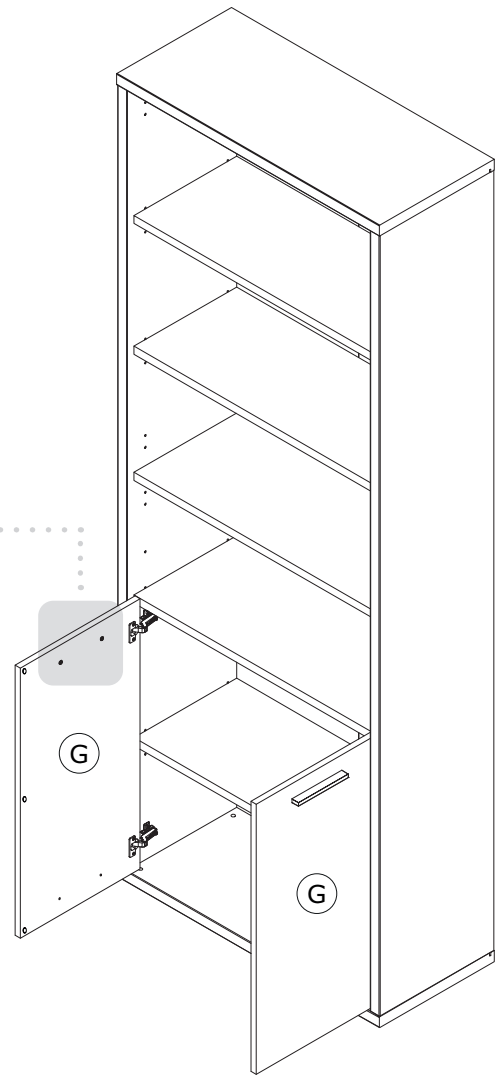
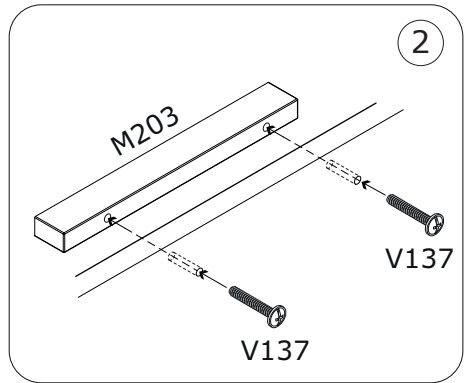
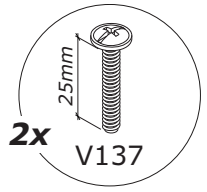
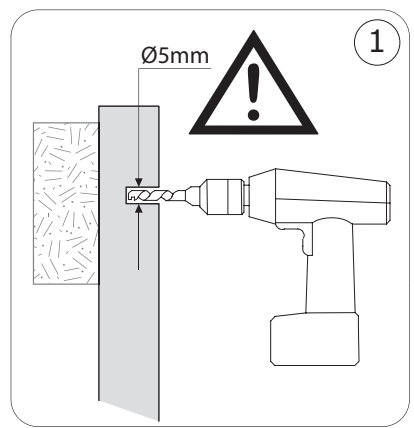
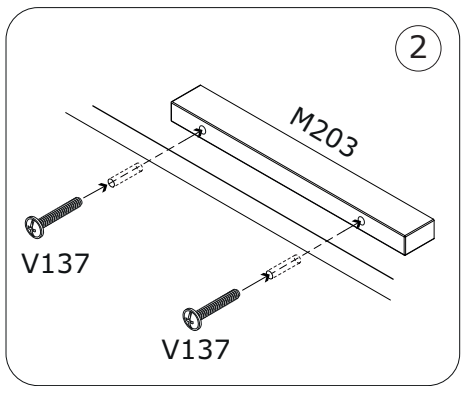
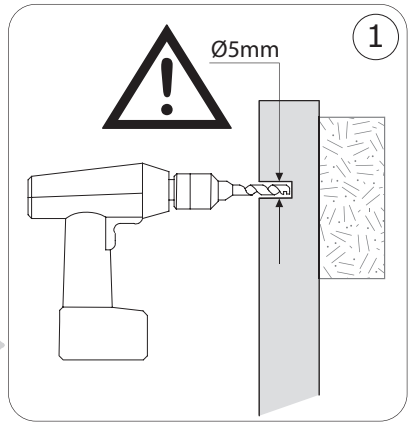
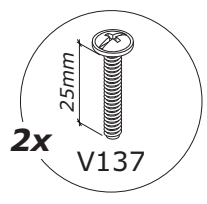
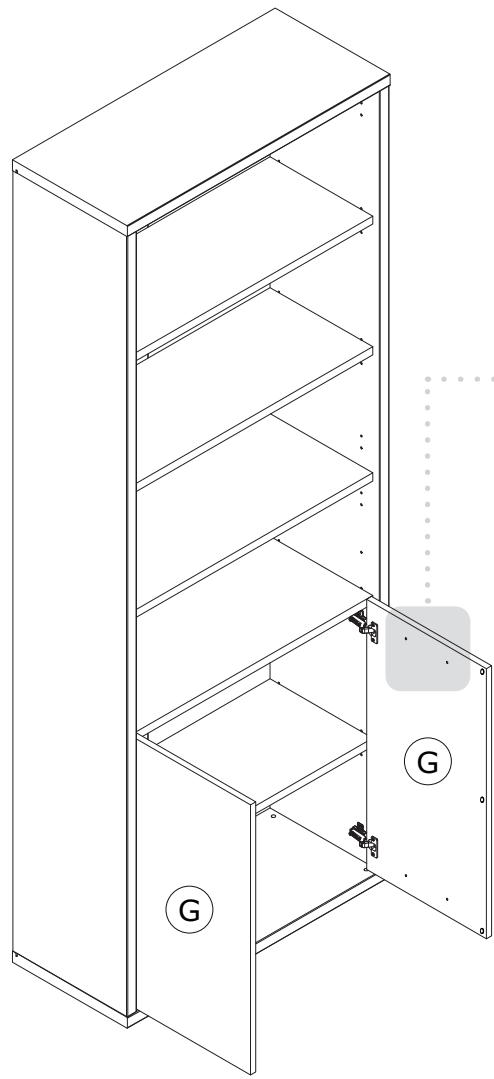
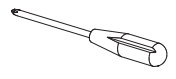
A



A

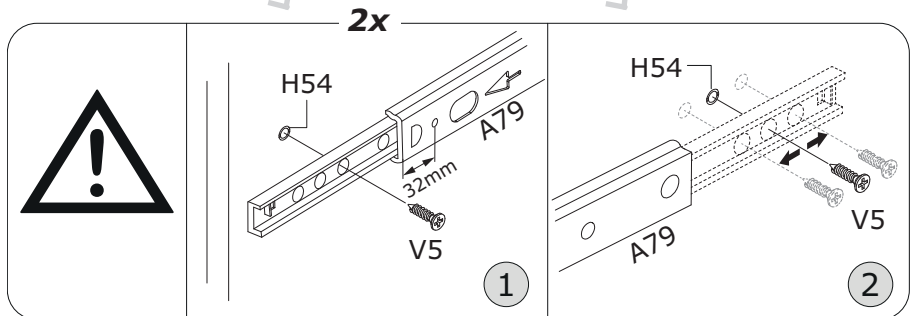
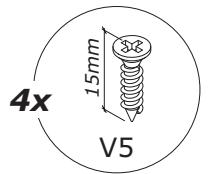
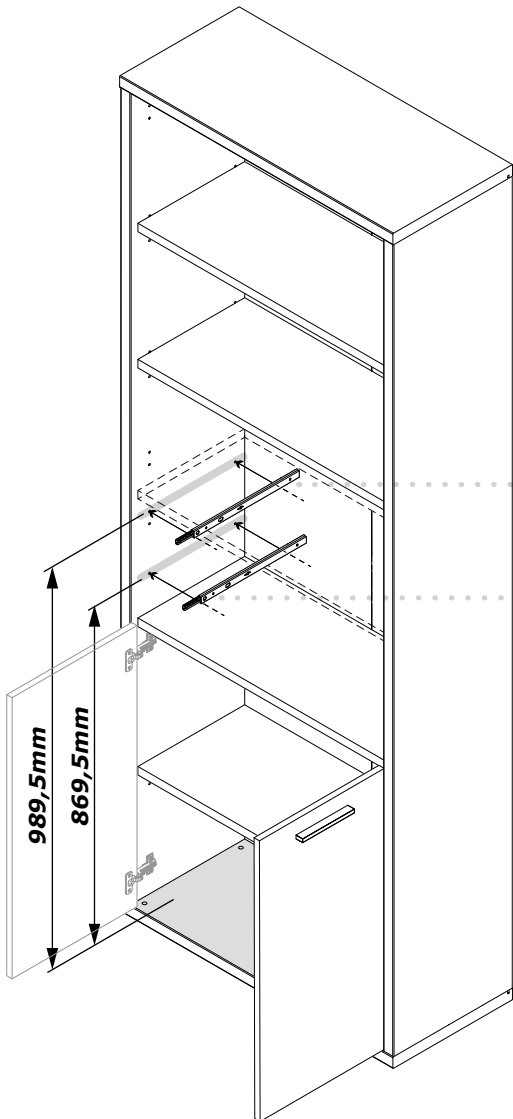
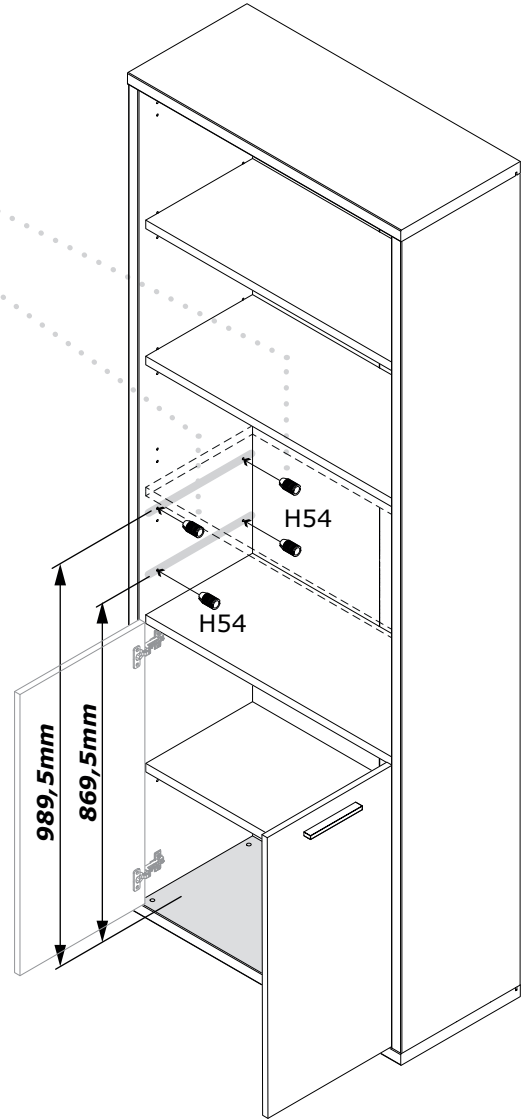
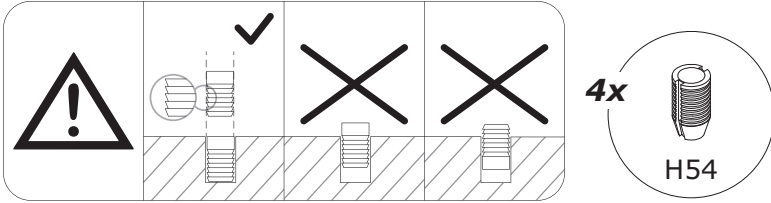
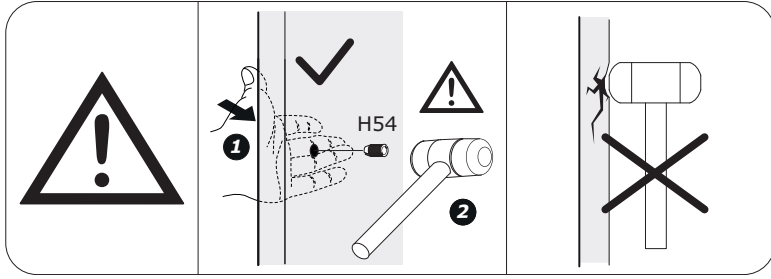
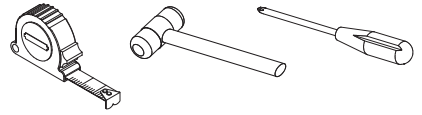


A



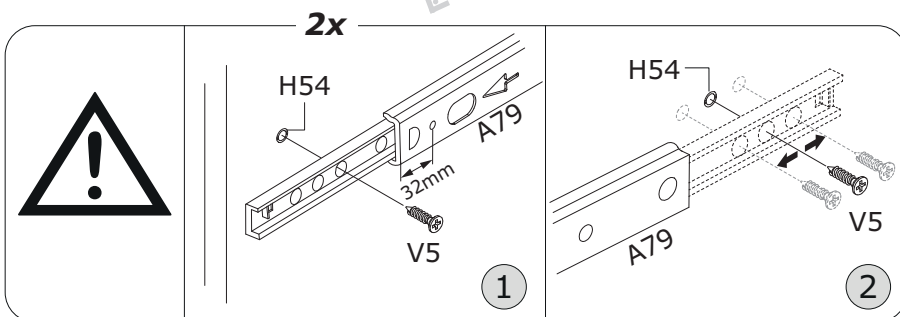
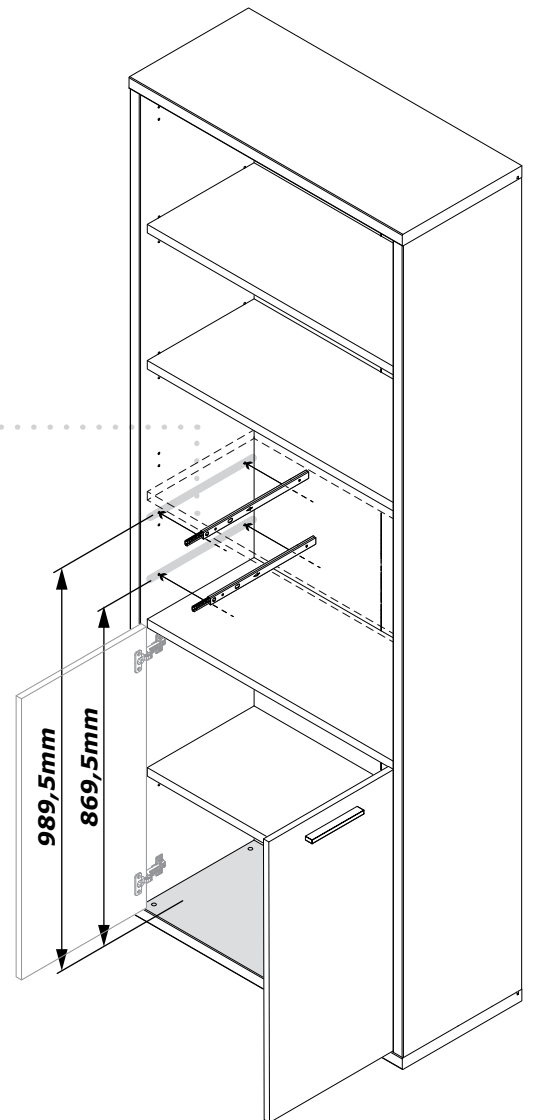
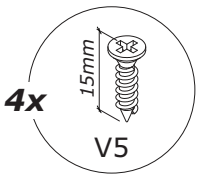
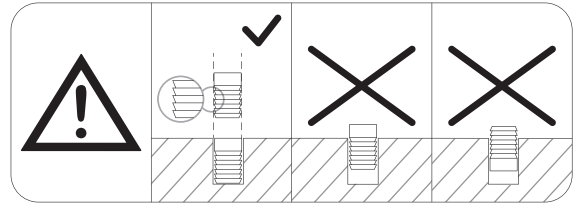
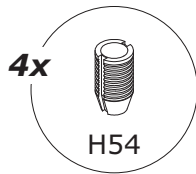
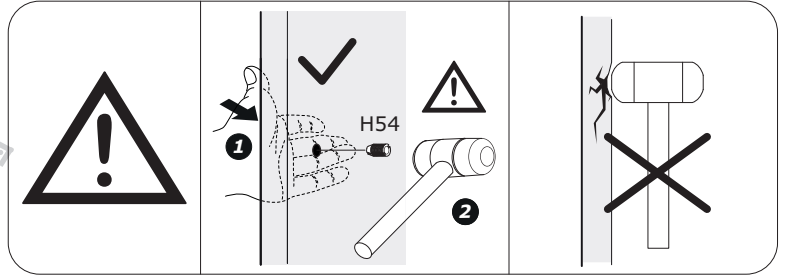
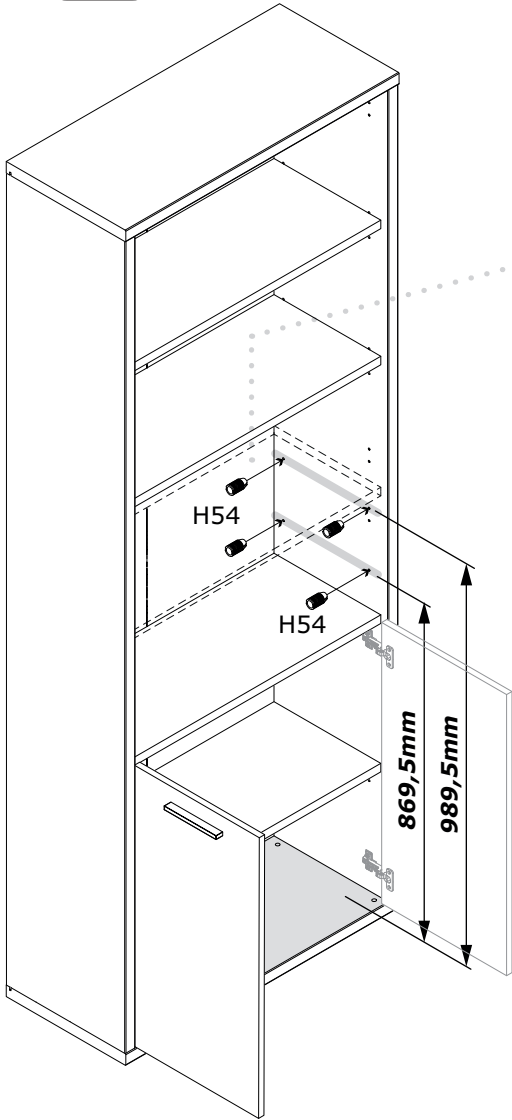
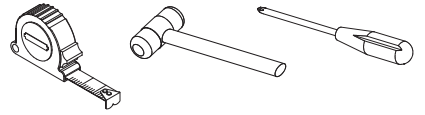
10

A



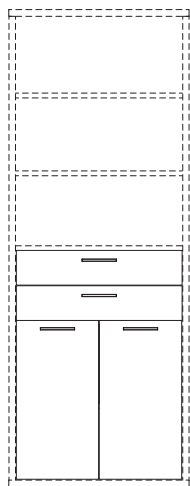
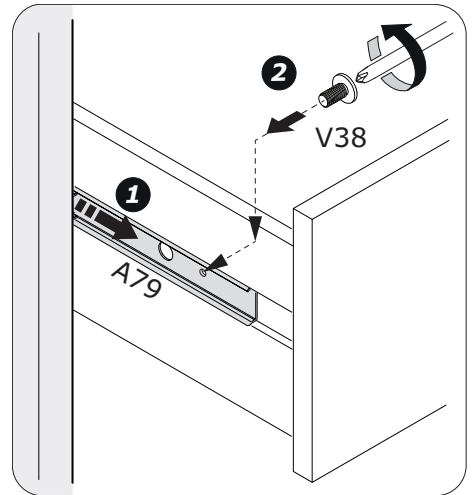
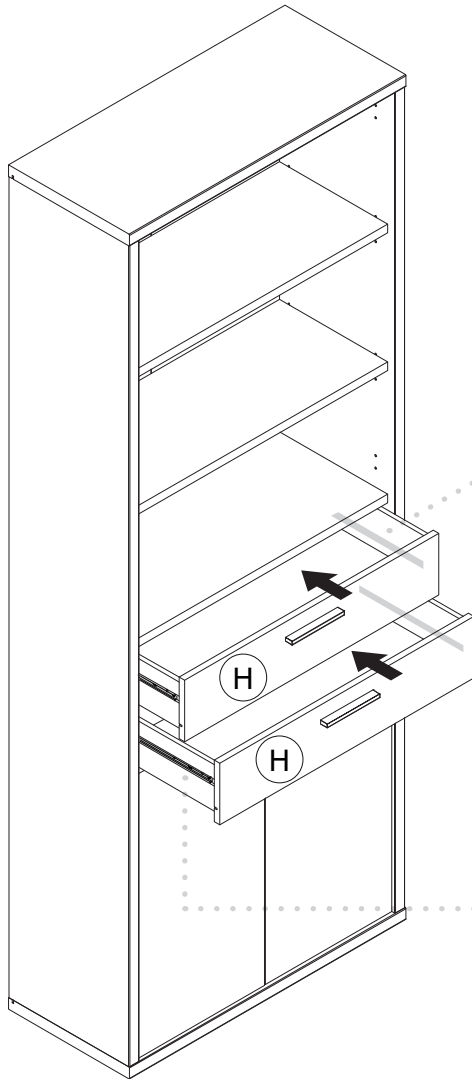
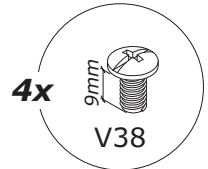
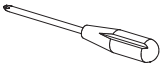
11

A

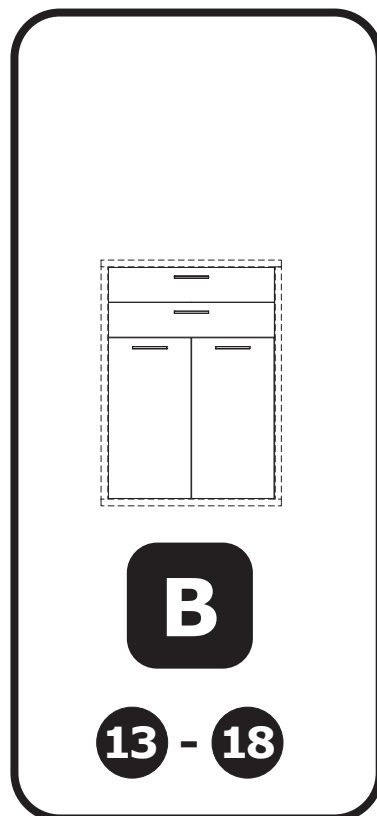


12

A



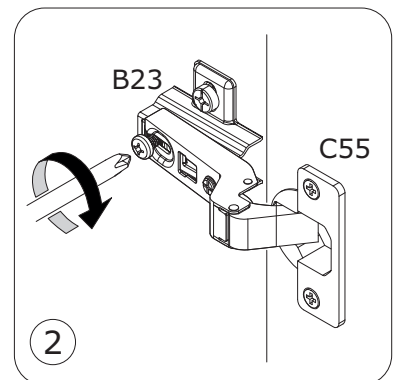
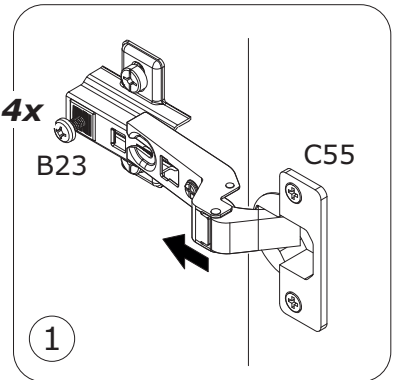
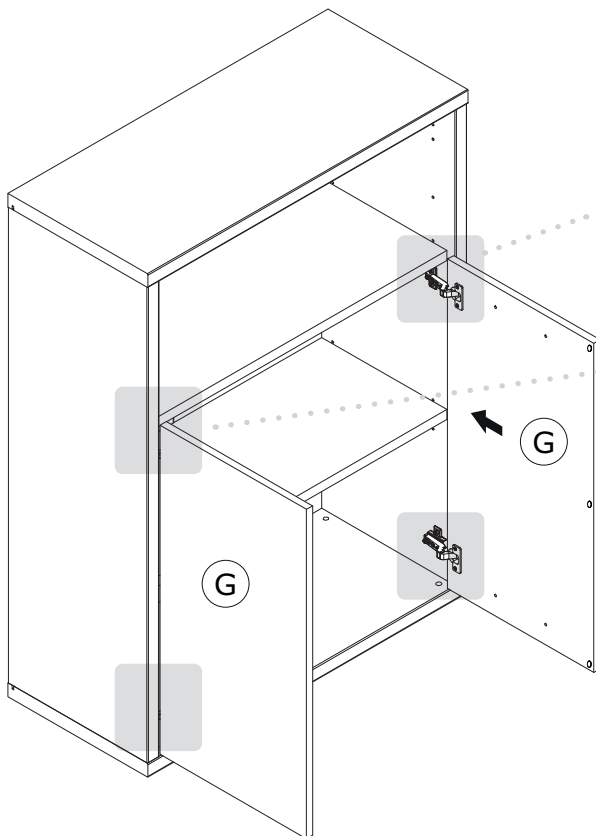
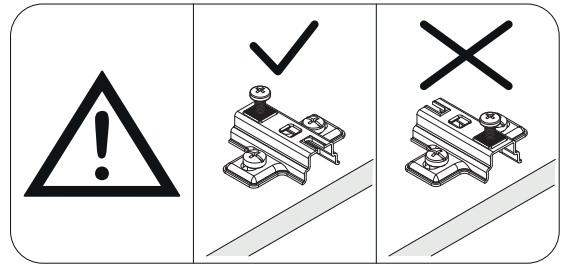
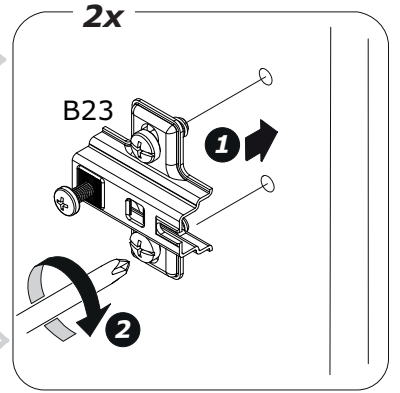
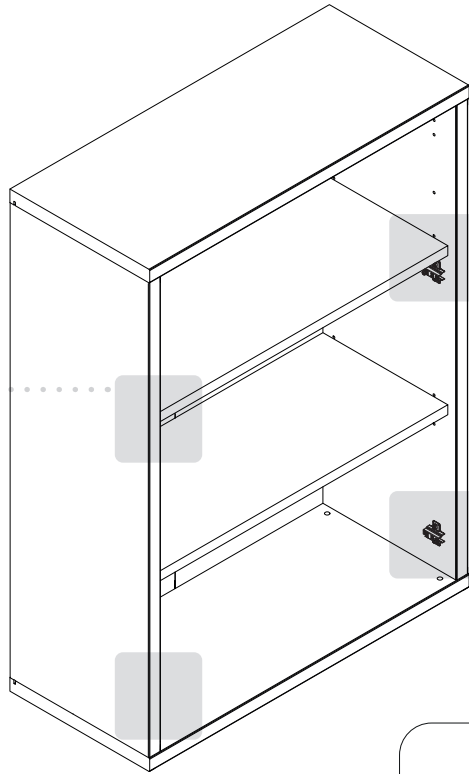
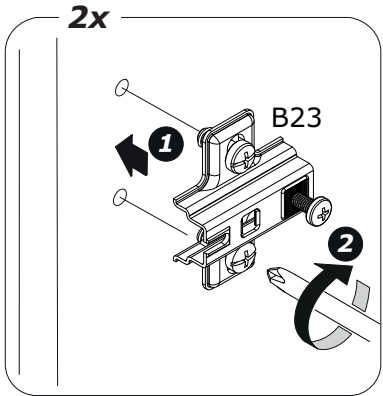
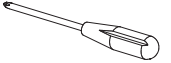
A



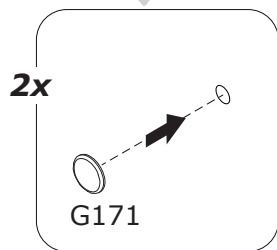
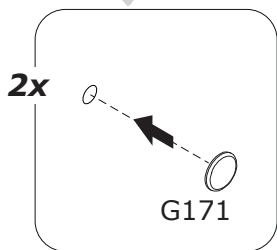
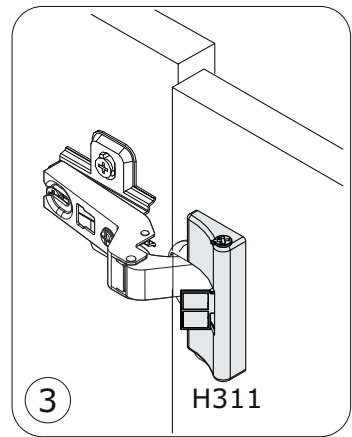
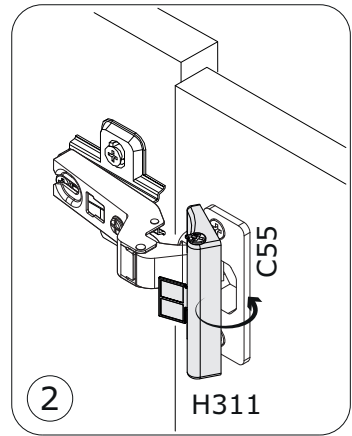
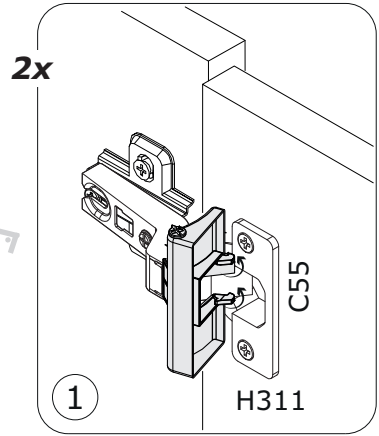
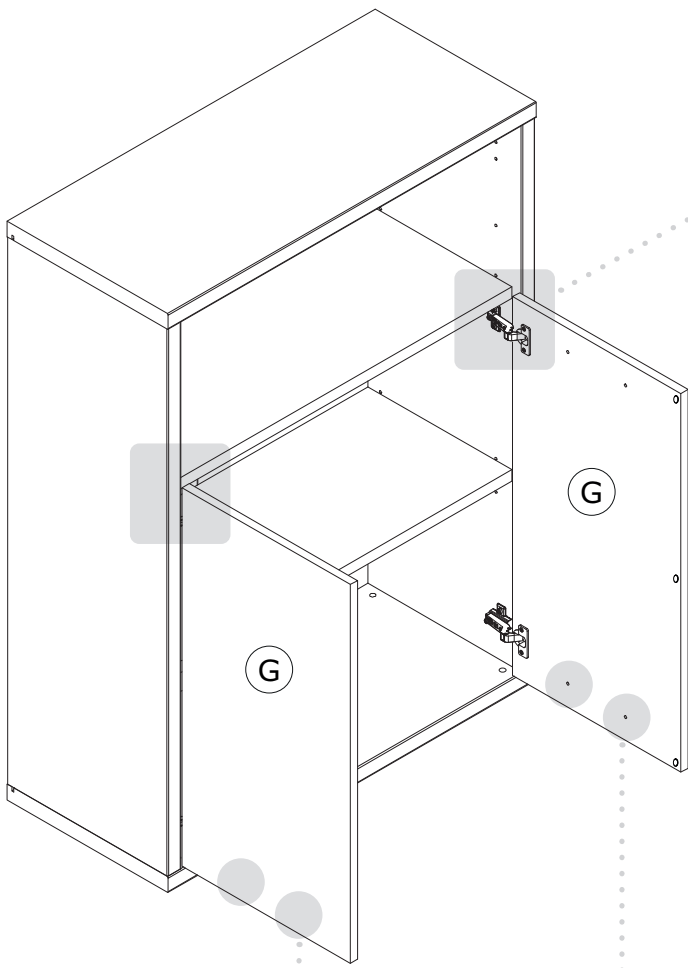
B

13 - 18

B

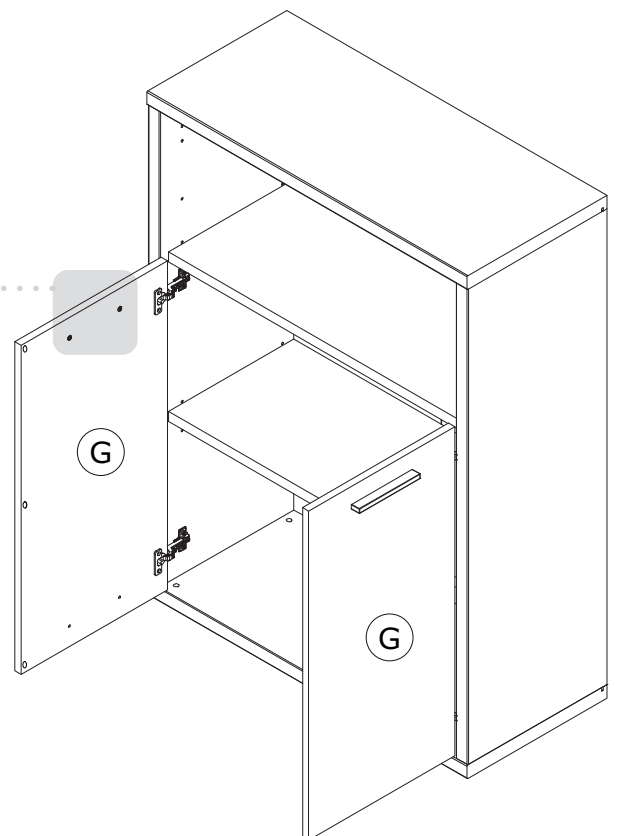
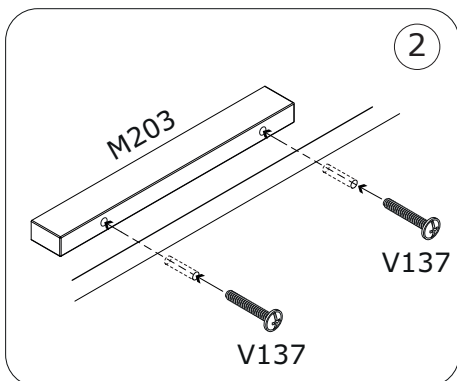
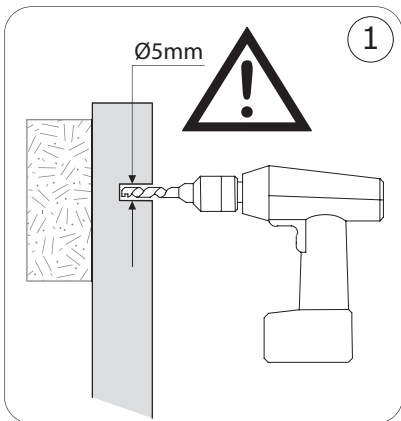
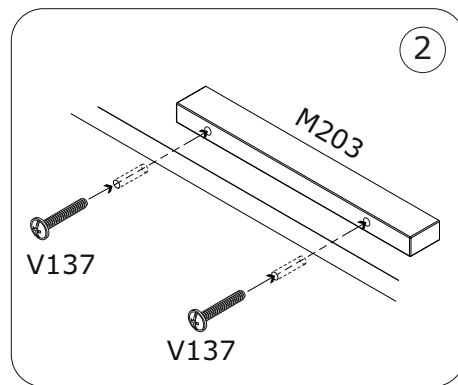
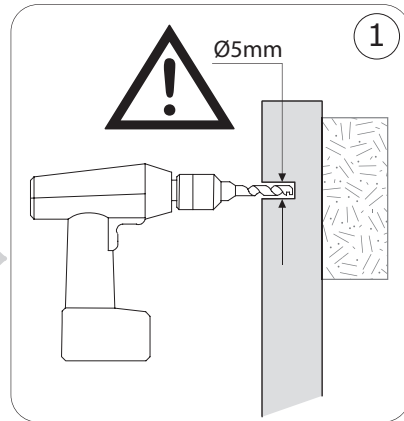
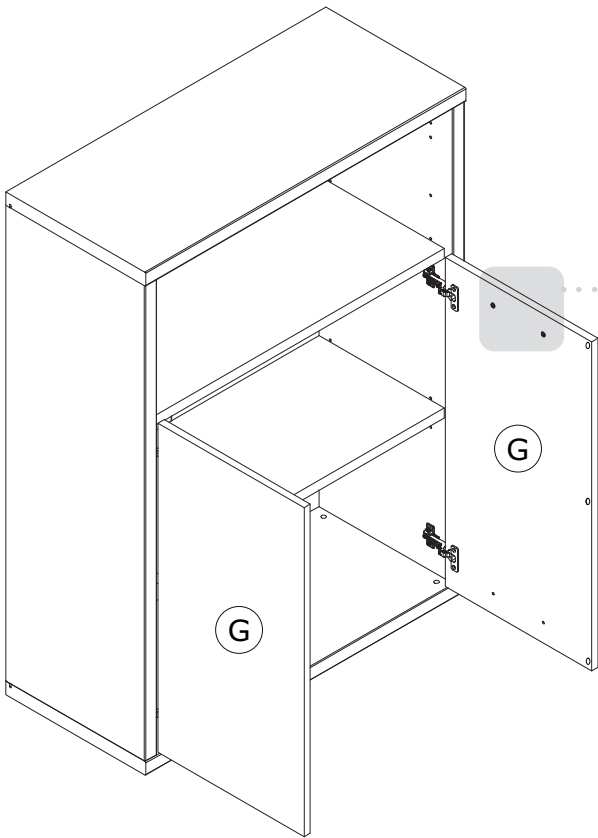
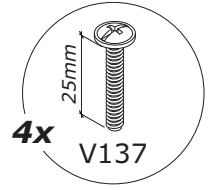
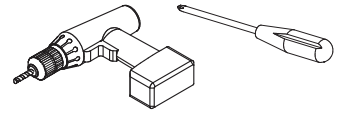


B

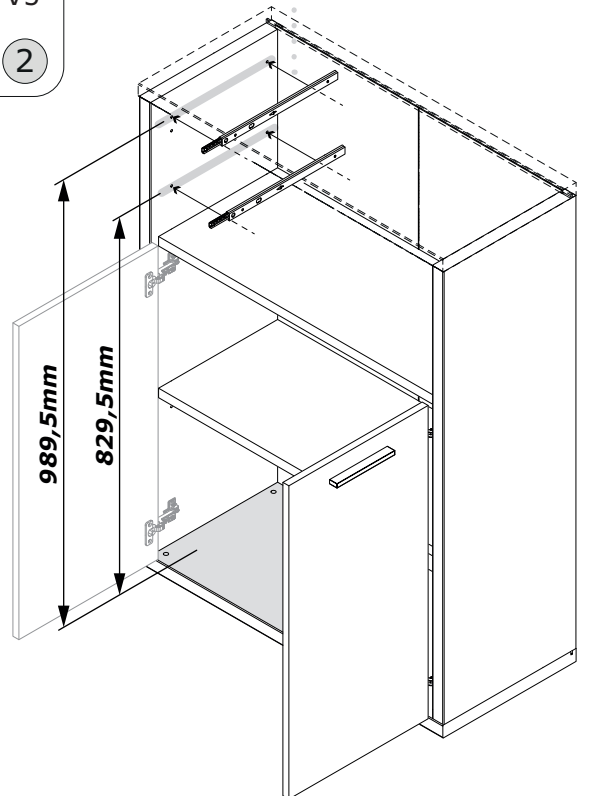
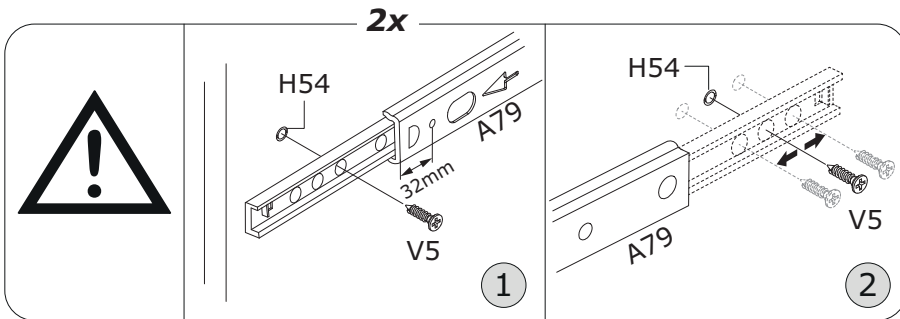
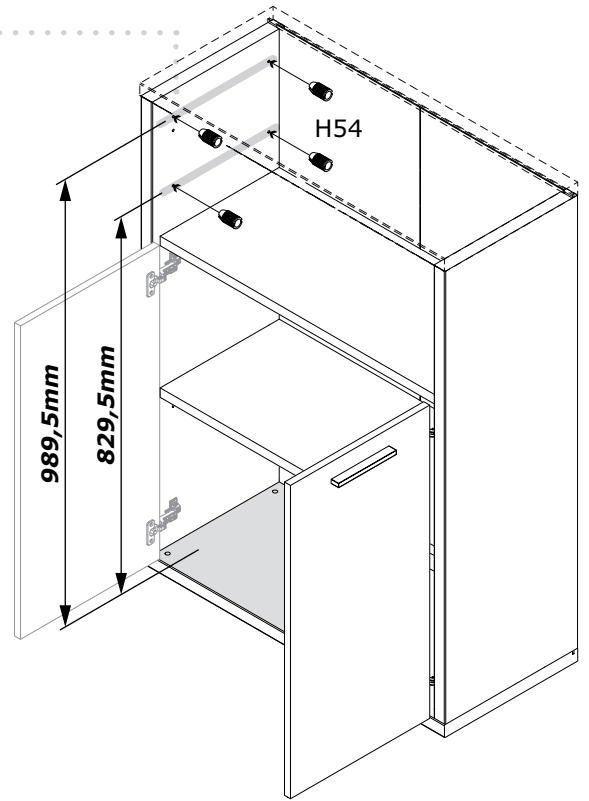
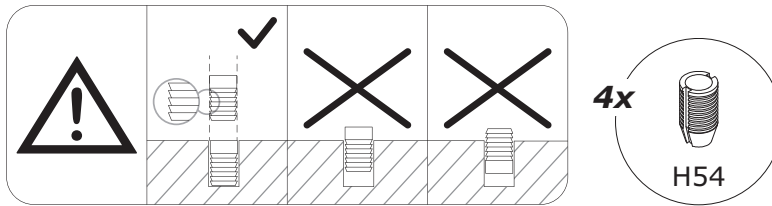
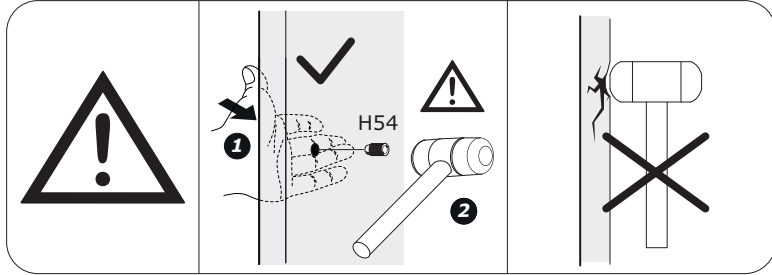
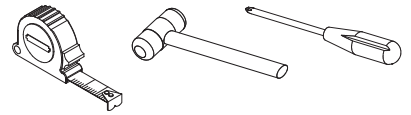


15

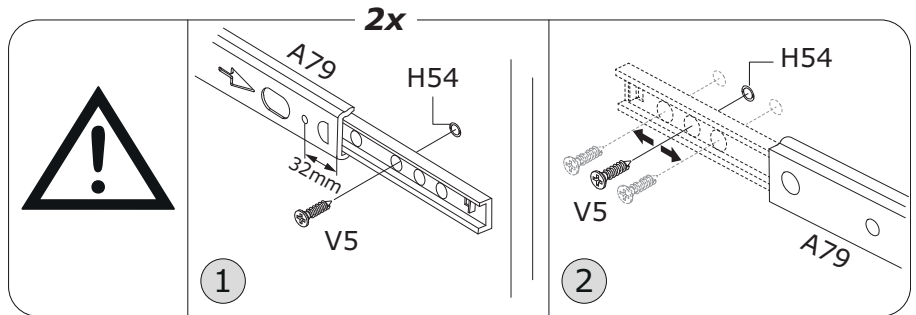
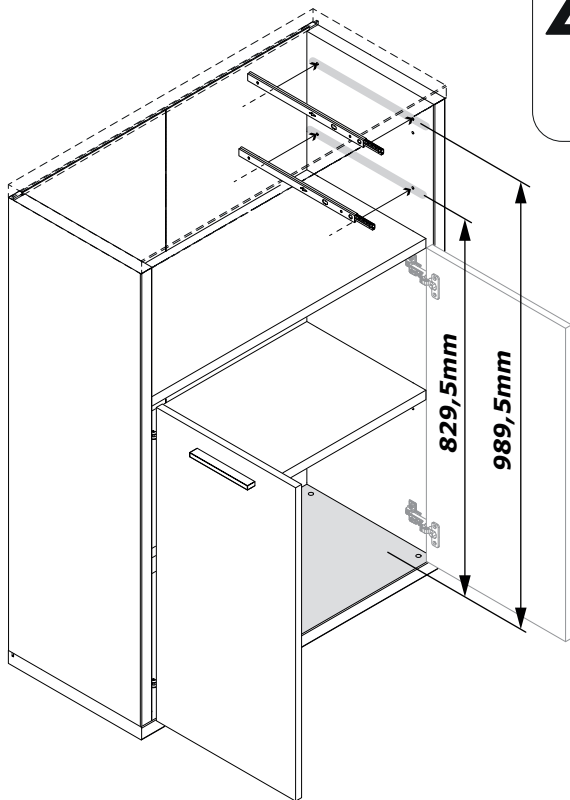
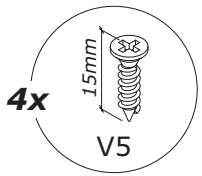
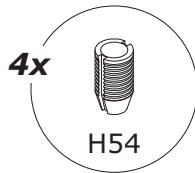
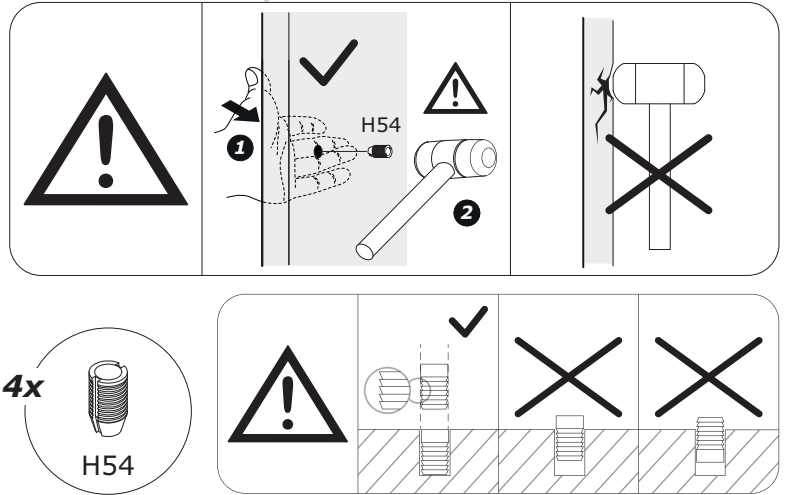
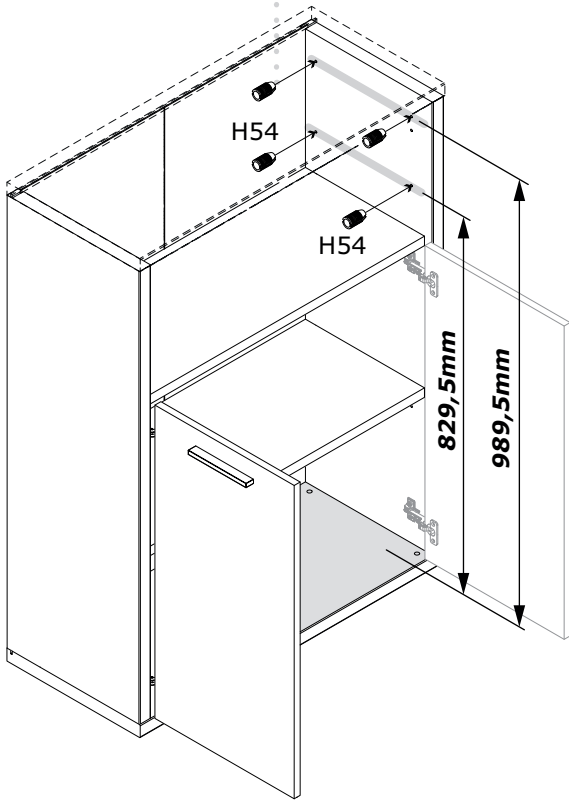
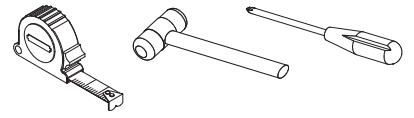
B



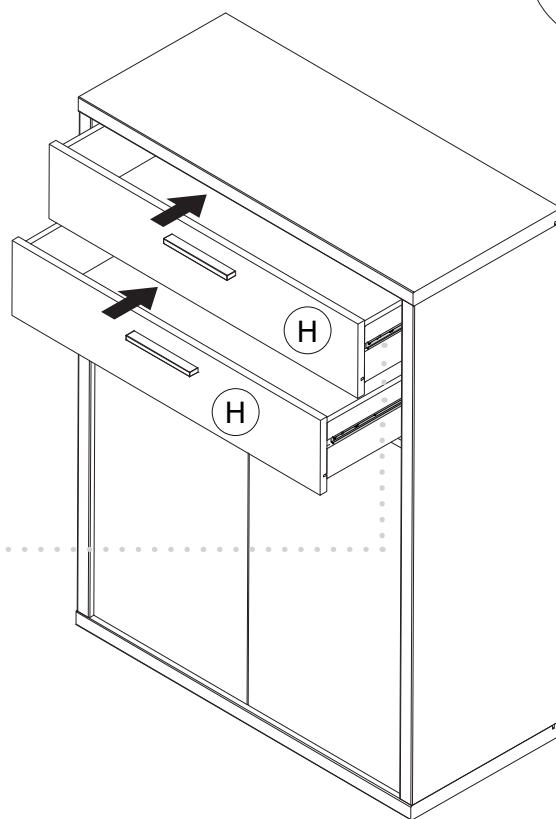
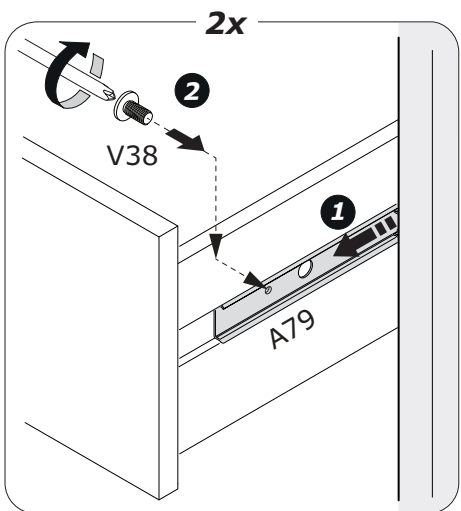
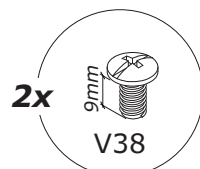
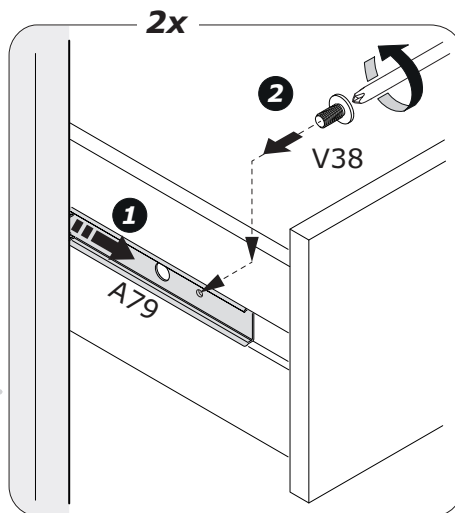
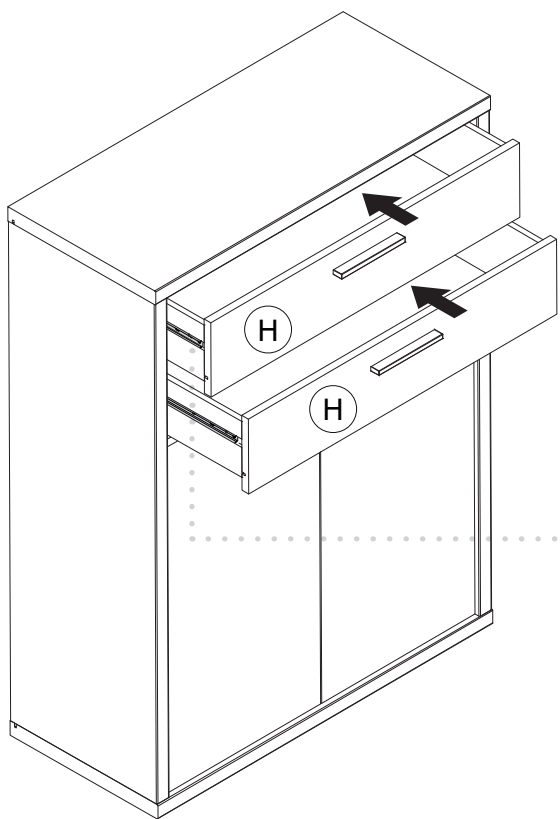
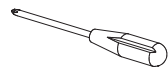
B

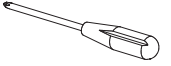


B



B





A B

