



Output	465 - 490 lumen
Beam Angle	25°, 36°
Color Temperature	2700K, 3000K
Color Metrics	CIE Metrics: CRI 95, R9 95 TM30 Metrics: Rf 95, Rg 100 Whiteness Index: Rw 100
Applications	Hotels & Hospitality Galleries & Museums High-End Retail



ENERGY EFFICIENCY

85% more energy efficient than standard halogen lamps, with typical payback of one year or less.

THERMAL COMPATIBILITY

Not suitable for use in enclosed, lensed, baffled or recessed fixture. Designed to safely turn down in high temperature environments to protect LED and components.

ELECTRICAL COMPATIBILITY

Works with trailing edge and leading edge phase cut dimmers, 12V AC magnetic and electronic transformers and 12V DC transformers. Check individual lamp website pages for compatibility data. For more information visit: www.soraa.com.

INTENDED USE & LOCATION RATING

Intended for use in MR16 compatible track lighting and other indoor applications. Suitable for damp locations, not rated for use in wet location.

This light source produces greater than 2mW/klm of UV light and is intended only for high color and white rendering applications, where the UV light is required to activate optical brightening agents in illuminated objects.

LIFETIME & WARRANTY

Rated lifetime to L70: 35,000hrs

Warranty: 3yrs or 25,000hrs whichever comes first

For warranty information visit: www.soraa.com/resources/legal



SORAA VIVID™

Soraa VIVID lamps offer beautiful and accurate color and white rendering across the entire visible spectrum, mimicking the natural range of sunlight to deliver unmatched quality of light for color critical applications.

POINT SOURCE OPTICS™

Point Source Optics deliver exceptional beam quality with crisp shadows, perfect uniformity and precisely controlled beam distributions from 25° to 36°.

SORAA VIVID COLOR™

Soraa VIVID lamps utilize full spectrum light to provide industry-leading color rendition of CRI/95, R9/95, Rf/95, Rg/100 for precise color reproduction.

SORAA NATURAL WHITE™

Soraa VIVID lamps are engineered to deliver outstanding whiteness rendering for true-to-life whites, which matches or exceeds incandescent sources at 2700K and 3000K.

GENERAL SPECIFICATIONS

Form Factor

Width: 50.1mm (1.97")

Height: 45.5mm (1.79")

Weight: 47g

Operating Temperature

Minimum: -40°C (ambient)

Typical: 85°C-90°C (base)

Maximum: 90°C (base)

Electrical

Wattage: 9W

Power factor: 0.92

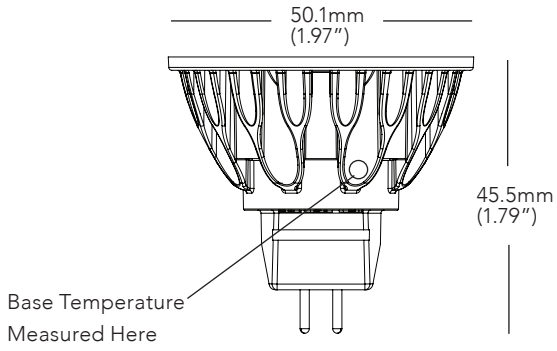
Voltage: 12V +/- 1.2V

Frequency: 50/60Hz

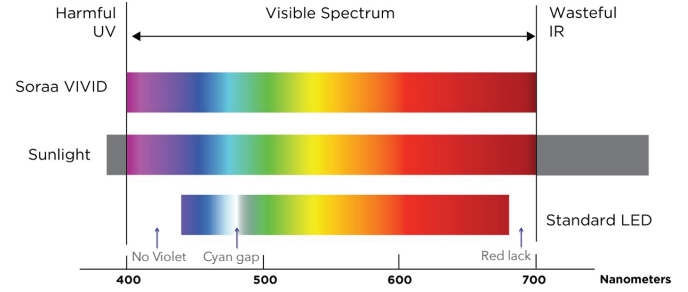
Dimming

Please reference our compatibility chart for dimmer and transformer information.

DIMENSIONS

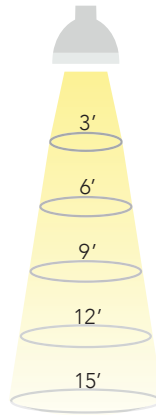


COLOR RENDERING



25 DEGREE BEAM

Beam Dia at 50% CBCP (ft)	Field Dia at 10% CBCP (ft)	Foot-candles (% of CBCP)
1.3	2.1	11.1%
2.7	4.1	2.8%
4.0	6.2	1.2%
5.3	8.3	0.7%
6.7	10.3	0.4%



36 DEGREE BEAM

Beam Dia at 50% CBCP (ft)	Field Dia at 10% CBCP (ft)	Foot-candles (% of CBCP)
1.9	3.1	11.1%
3.9	6.1	2.8%
5.8	9.2	1.2%
7.8	12.2	0.7%
9.7	15.3	0.4%

Note: Footcandles may be calculated by multiplying the CBCP of the desired model number by the percentage in the tables above

SPECIFICATIONS BY MODEL NUMBER* SORAA LED MR16-GU5.3 9W 12V

Model #	Product Code	CCT (K)	Beam Angle	Field Angle	CBCP (Cd)	Total Flux (Lm)	90° Lumens	Efficacy (Lm/W)	McA
VIVID SERIES									
SM16-09-25D-927-03	00955	2700	25	40	2570	465	440	52	3
SM16-09-36D-927-03	00963	2700	36	57	1210	465	425	52	3
SM16-09-25D-930-03	00959	3000	25	40	2700	490	465	54	3
SM16-09-36D-930-03	00967	3000	36	57	1280	490	450	54	3

CCT: Correlated Color Temperature **McA:** White Point Accuracy in McA step **SNAP:** SORAA SNAP System Compatible

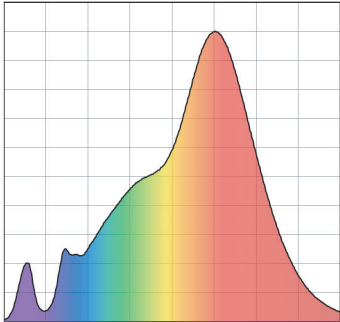
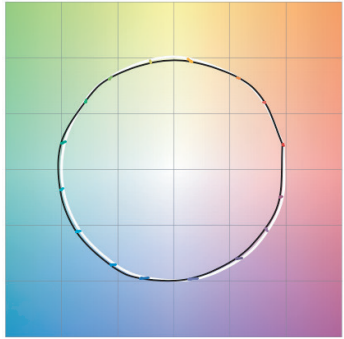
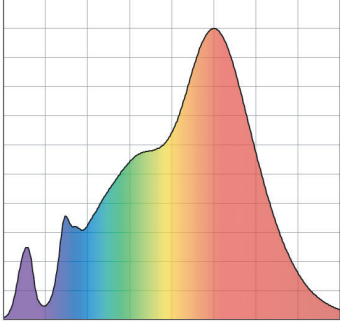
*Specifications are at stable warm operating conditions (25°C ambient)

CCT

SPECTRAL POWER DISTRIBUTION

COLOR QUALITY METRICS

COLOR ACCURACY

<p>VIVID 2700K</p>	 <p>CRI: 95, R9: 95</p>	<p>CRI 95</p> <p>R9 95</p> <p>Rf 95</p> <p>Rg 100</p> <p>Rf-h1 95</p> <p>Rw 90</p>	
<p>VIVID 3000K</p>	 <p>CRI: 95, R9: 95</p>	<p>CRI 95</p> <p>R9 95</p> <p>Rf 95</p> <p>Rg 100</p> <p>Rf-h1 95</p> <p>Rw 90</p>	