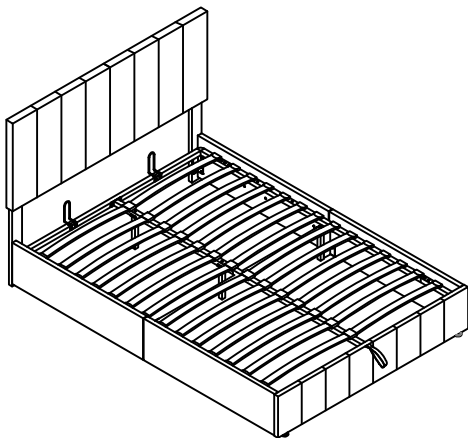


MONTAGEANLEITUNG

Artikelnummer: WF283799 / WF283800



Please check that you have all the parts listed before you start assembling, if you do find that something is missing, do not continue assembly, please contact us immediately.

NOTE: Please do not completely tighten all the hardware until the entire assembly is complete!

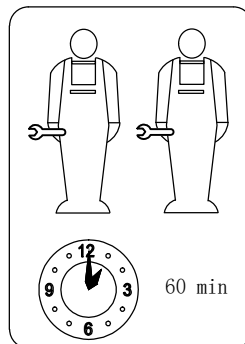
Bitte überprüfen Sie, ob alle Teile mitgeliefert sind, bevor Sie mit der Montage beginnen. Wenn Sie festlegen, dass etwas fehlt, setzen Sie die Montage nicht fort. Bitte kontaktieren Sie uns sofort.

Achtung: Bitte ziehen Sie nicht alle Schrauben fest, bevor die Montage abgeschlossen ist!

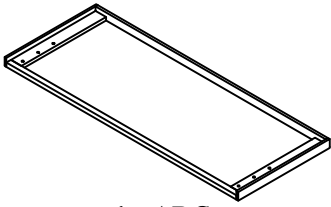
- | | |
|-------------------------------|---------------------------------|
| (D) Gebrauchsanweisung | (GB) Instructions for use |
| (NL) Gebruiksrichtlijnen | (FR) Instructions d'utilisation |
| (IT) Istruzioni per l'uso | (PL) Instrukcja obsługi |
| (CZ) Pokyny k použití | (ES) Instrucciones de empleo |
| (HU) Használati útmutató | (RO) Instructiuni de folosire |
| (PT) Instruções de utilização | (RU) Инструкция по монтажу |
| (SK) Pokyny k použitiu | (TR) Kullanım talimatları |

This set will be shipped by 2 boxes and they may arrive on different days. If both packages arrived but parts missing, please contact customer service.

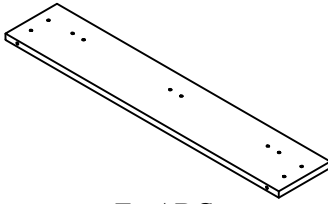
Dieses Set ist in 2 Boxen enthalten. Wenn Sie keine vollen 2 Boxen erhalten, wenden Sie sich bitte an unseren Kundenservice.



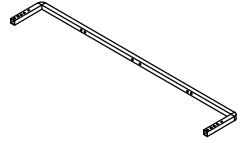
Part list WF283800



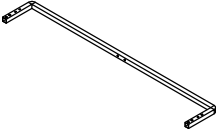
A*1PC



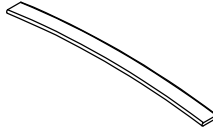
E*1PC



J1*1PC

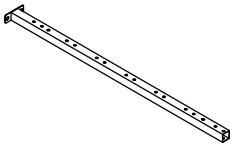


J2*1PC

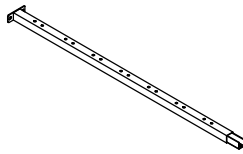


L*28PCS

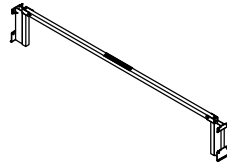
Part list WF283799



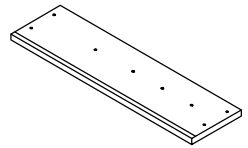
01*1PC



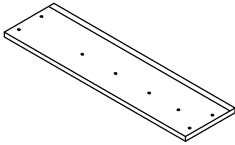
02*1PC



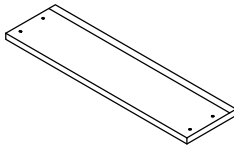
I*1PC



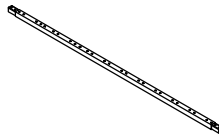
D1*1PC



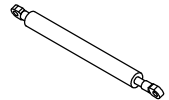
D2*1PC



C*2PCS



K*2PCS



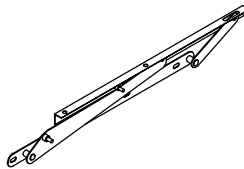
N*2PCS



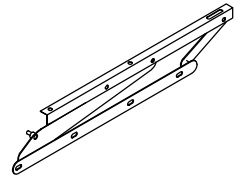
G1*1PC



G2*1PC



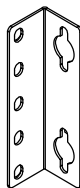
H1*1PC



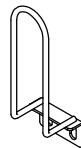
H2*1PC



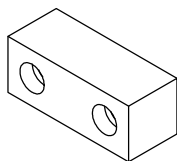
R*2PCS



S*4PCS



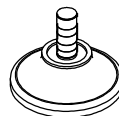
Q*2PCS



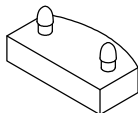
T*3PCS



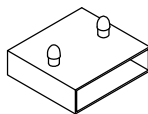
U*1PC



V*2PCS

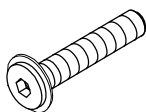


W1*28PCS

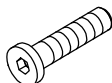


W2*14PCS

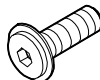
Hardware list WF283799



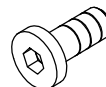
M8*50MM
X1*10PCS



M8*45MM
X2*10PCS



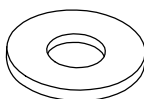
M8*30MM
X3*40PCS



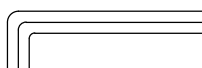
M8*16MM
X4*10PCS



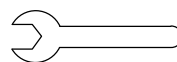
M8
Y*10PCS



Ø22*Ø8.5
Z1*4PCS





M8
Z2*1PC

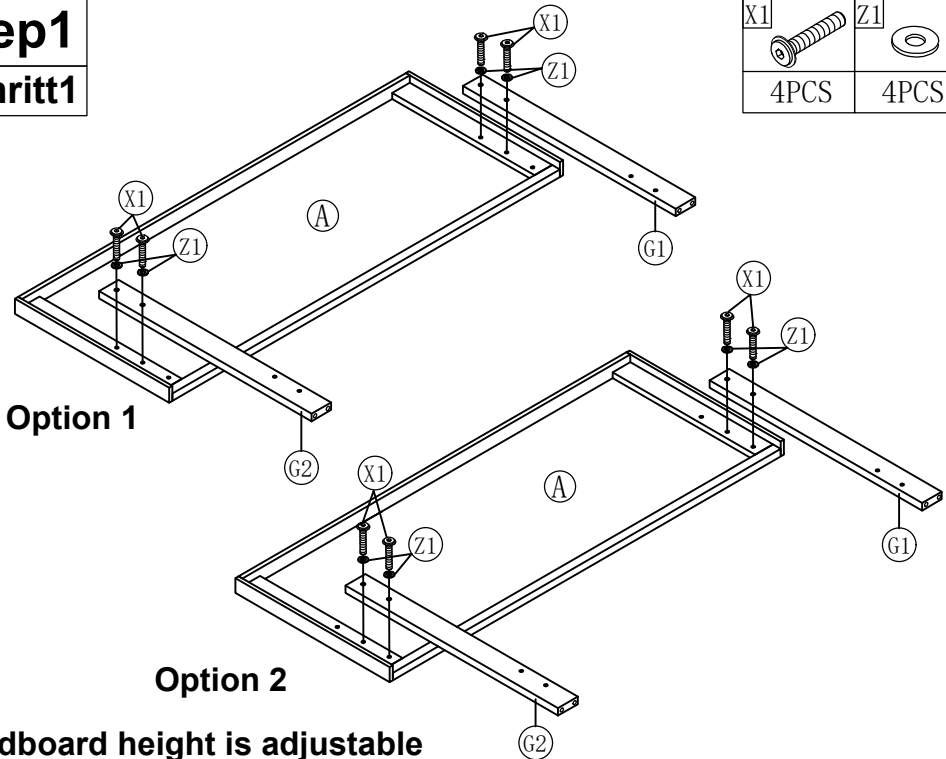


M8
Z3*1PC

Step1


Schritt1

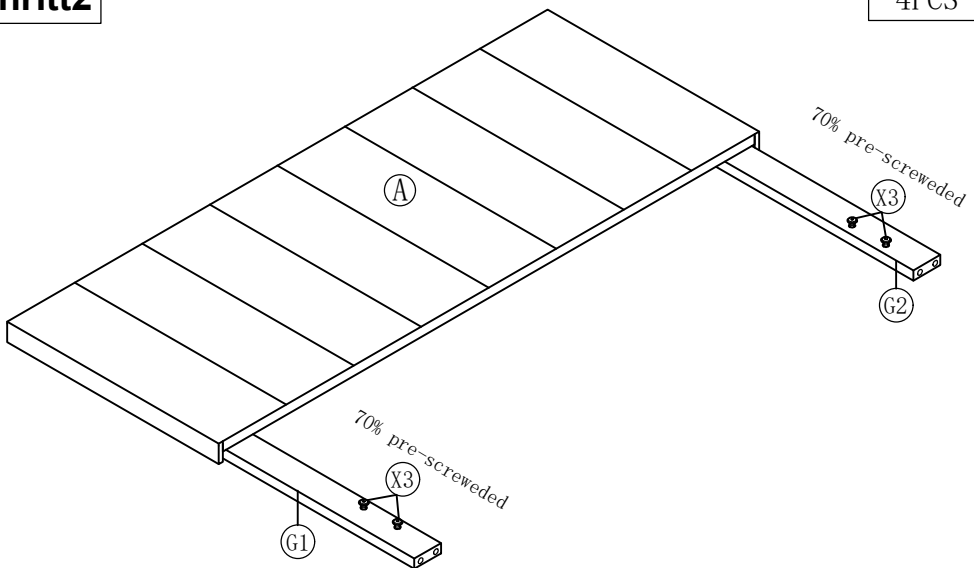
X1	Z1
	
4PCS	4PCS



Step2



Schritt2

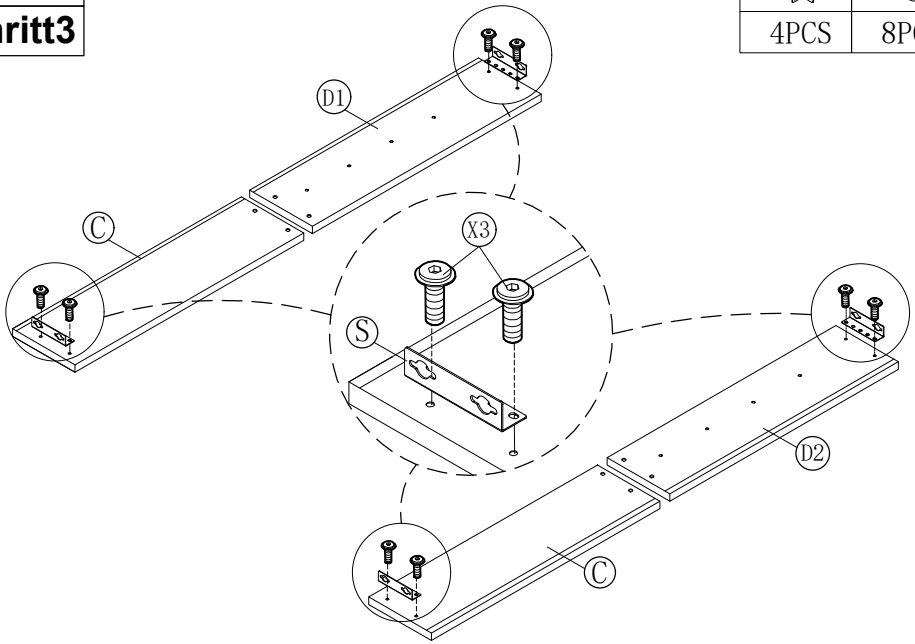
X3

4PCS



Step3


Schritt3

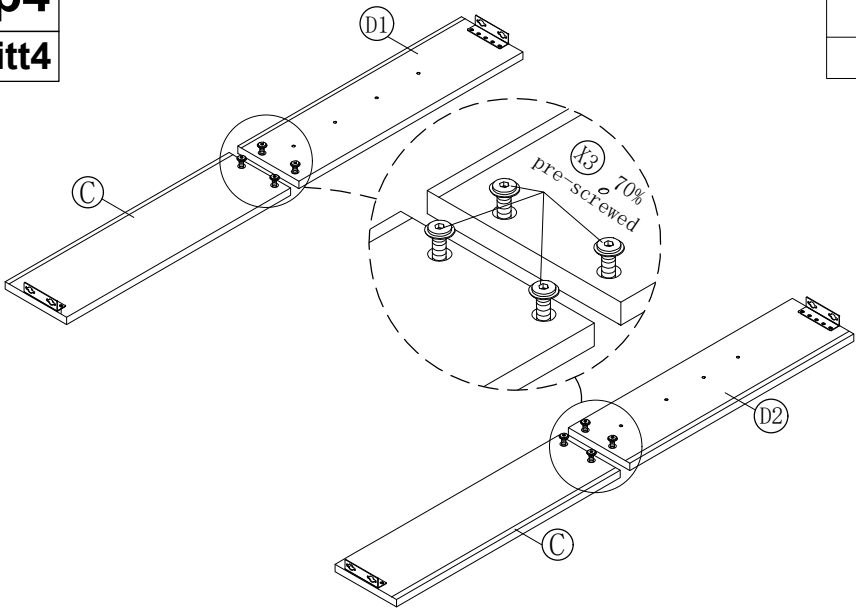
S		X3	
4PCS		8PCS	



Step4

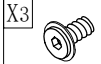
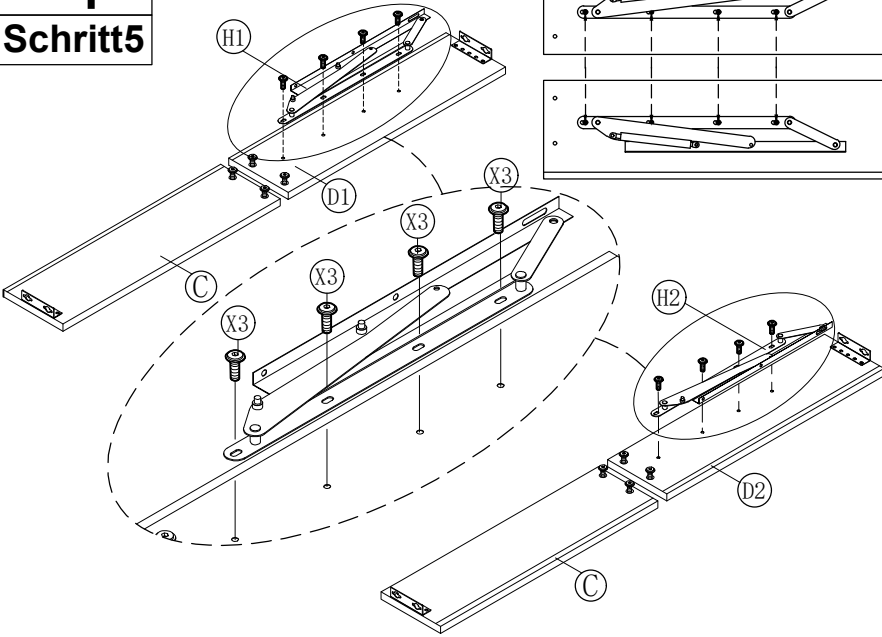
Schritt4

X3	
8PCS	



Step5

Schritt5

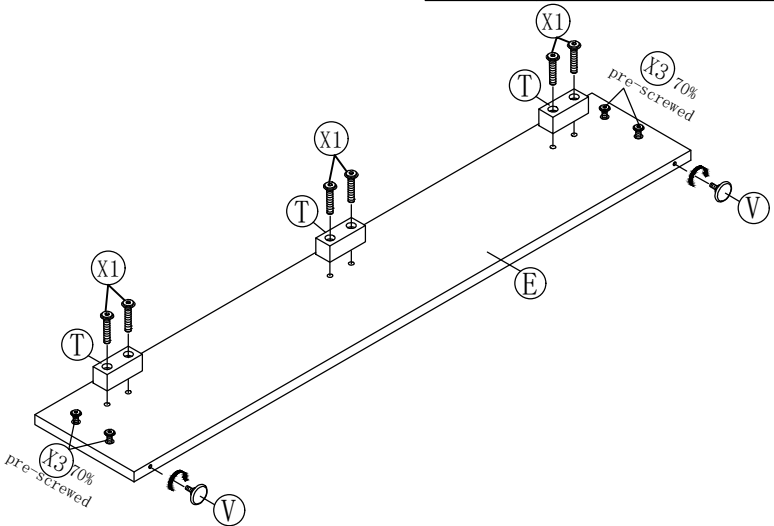


8PCS

Step6

Schritt6

T	V	X1	X3
3PCS	2PCS	6PCS	4PCS



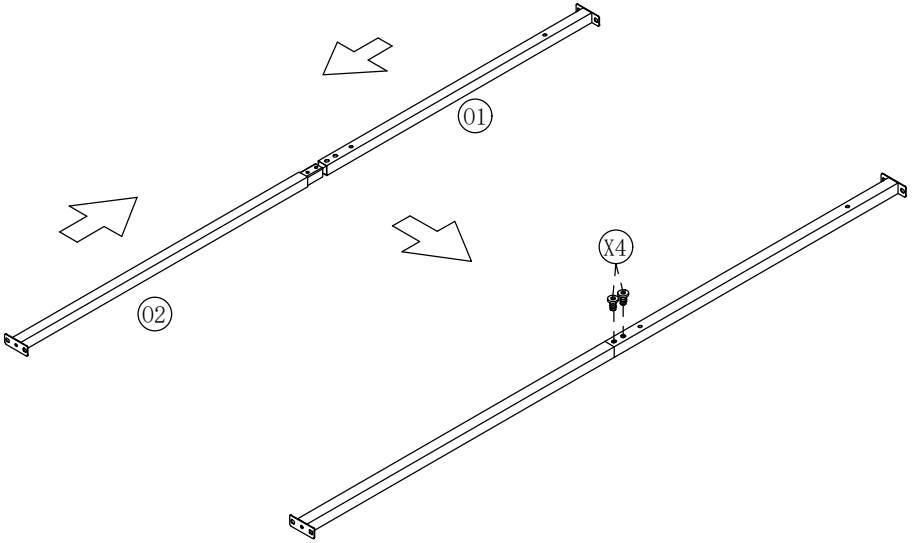
Step7

Schritt7

X4



2PCS



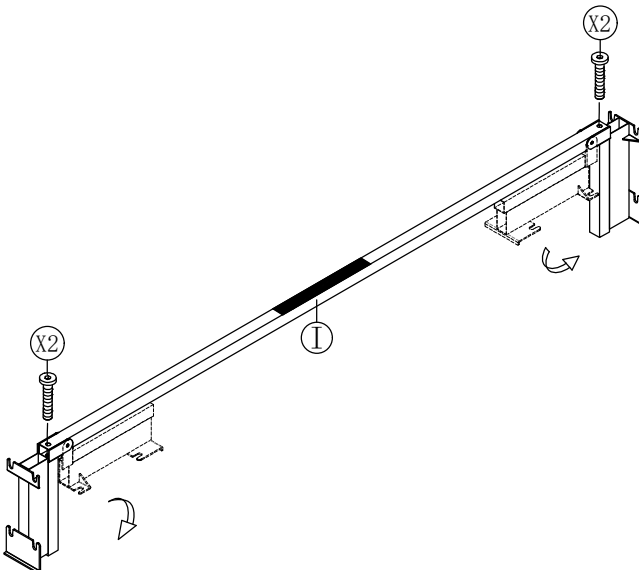
Step8

Schritt8

X2



2PCS



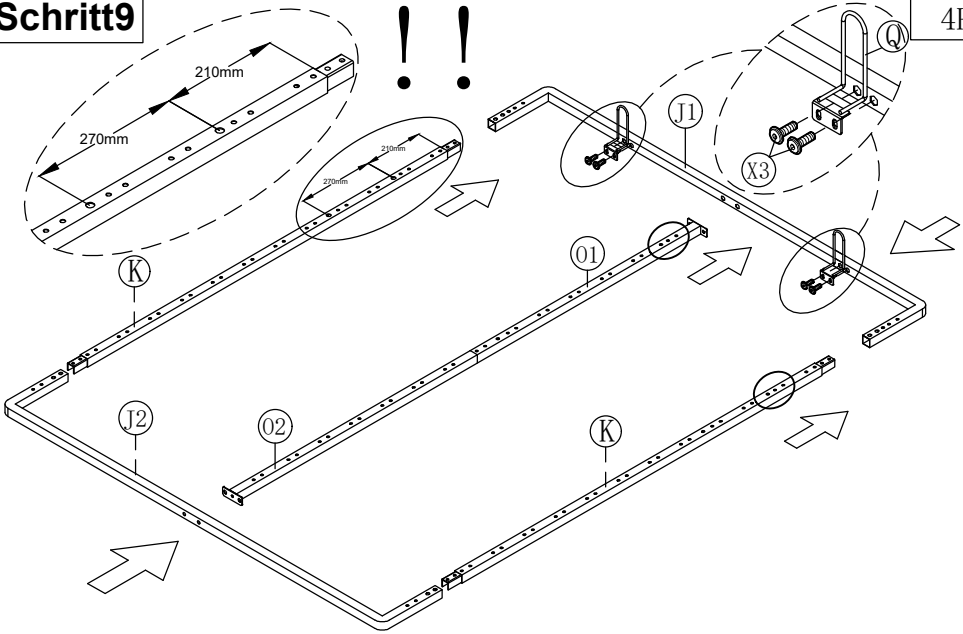
Step9

Schritt9

X3



4PCS



Step10

Schritt10

X3

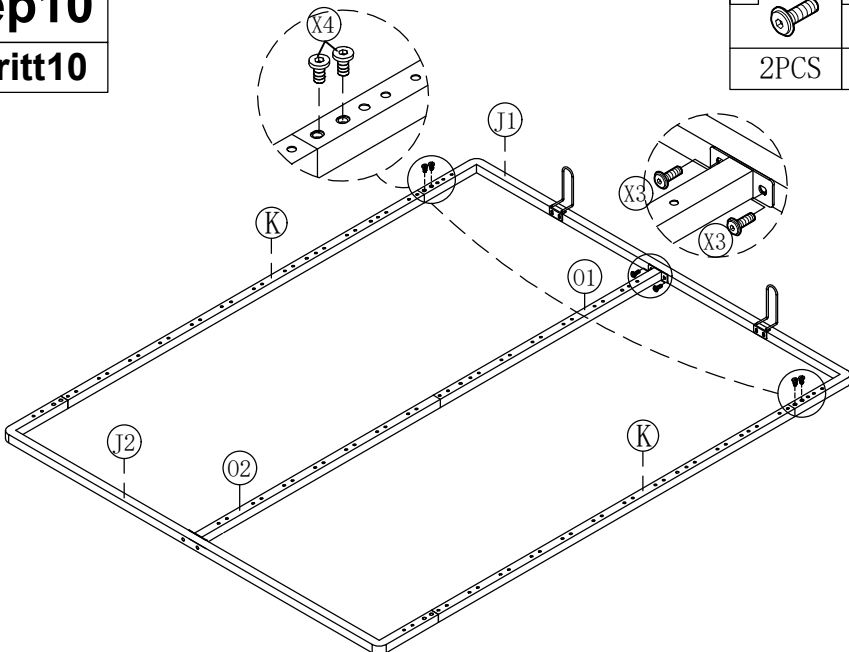


2PCS

X4





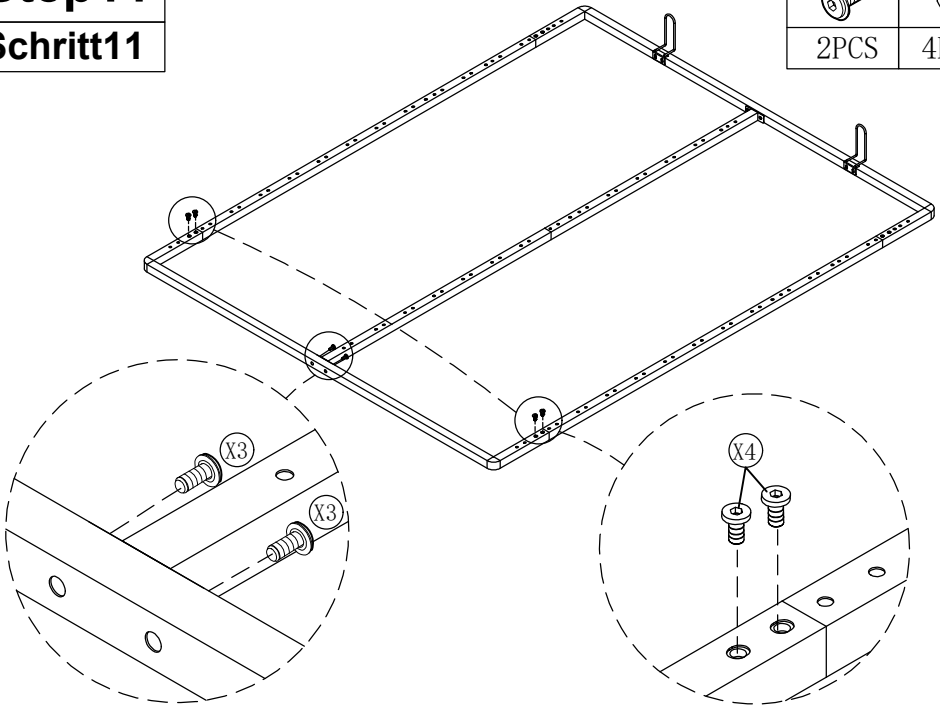
4PCS



Step11

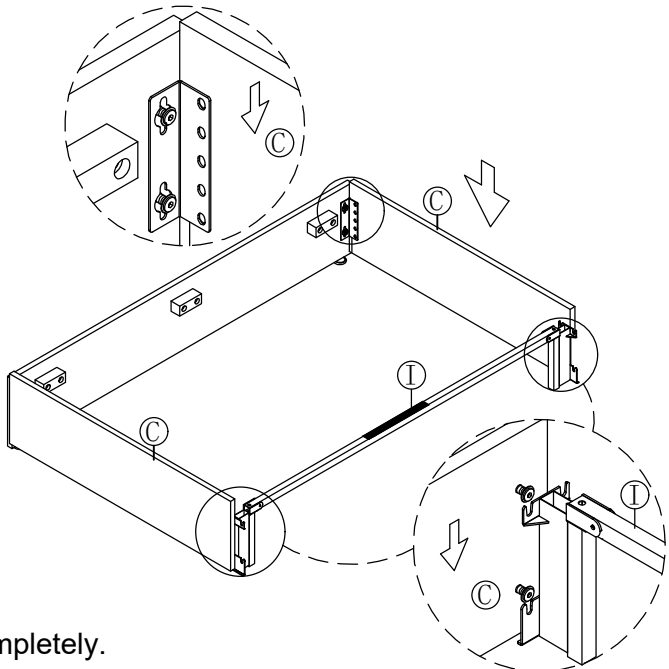
Schritt11

X3		X4	
2PCS		4PCS	



Step12

Schritt12

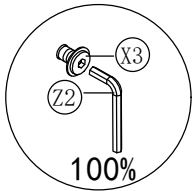
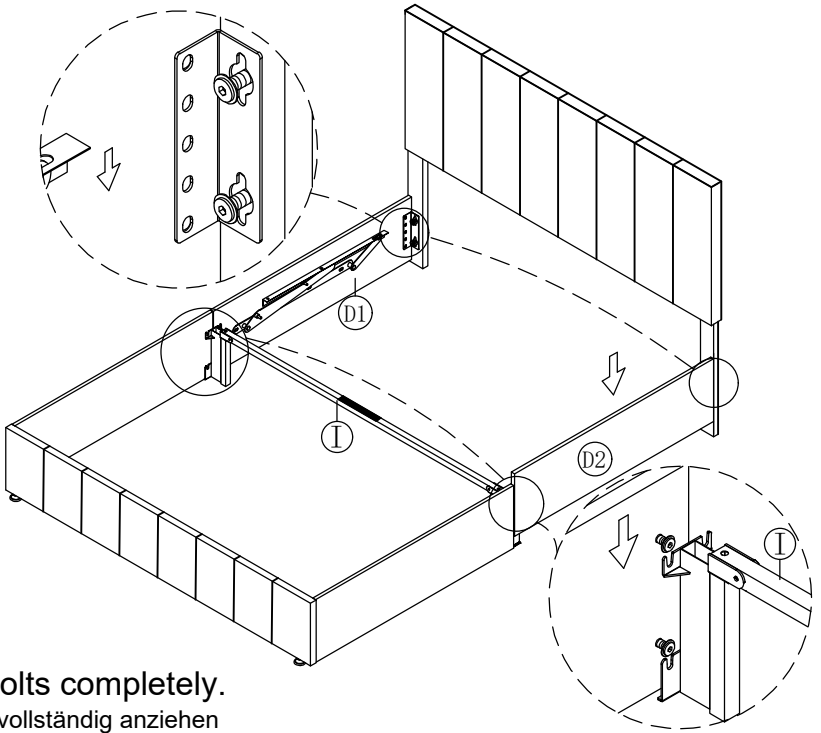


※Tighten all bolts completely.

Alle Schrauben vollständig anziehen

Step13

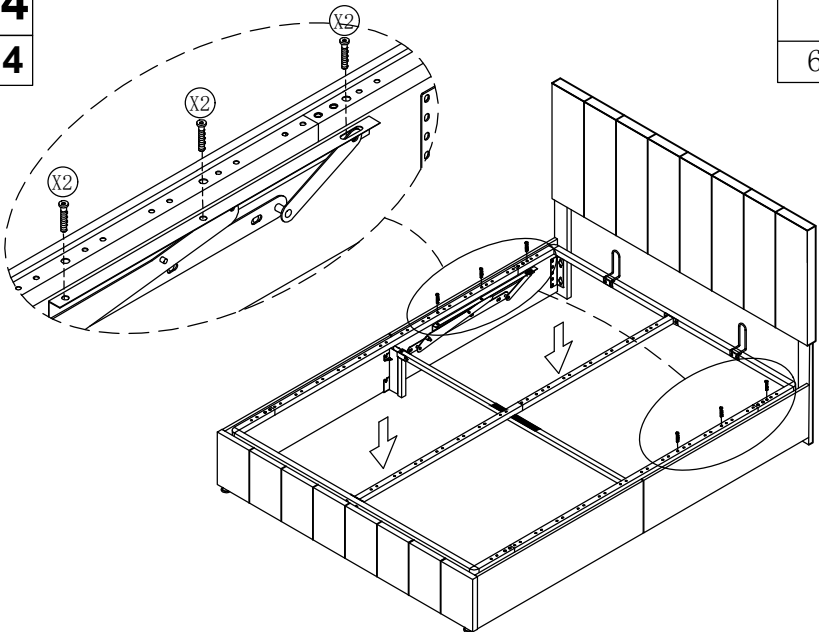
Schritt13



※Tighten all bolts completely.
Alle Schrauben vollständig anziehen

Step14

Schritt14



6PCS

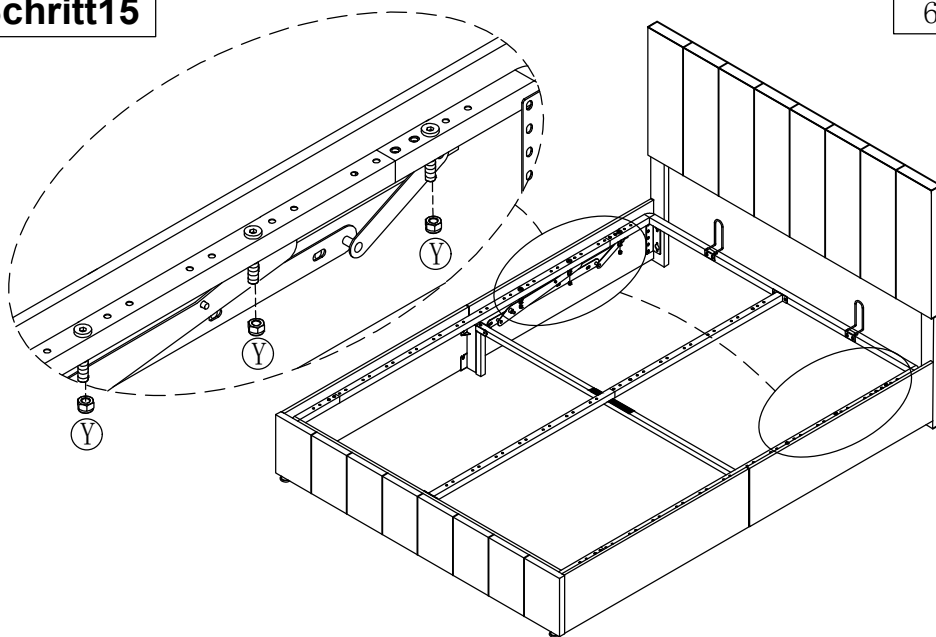
Step15

Schritt15

Y



6PCS



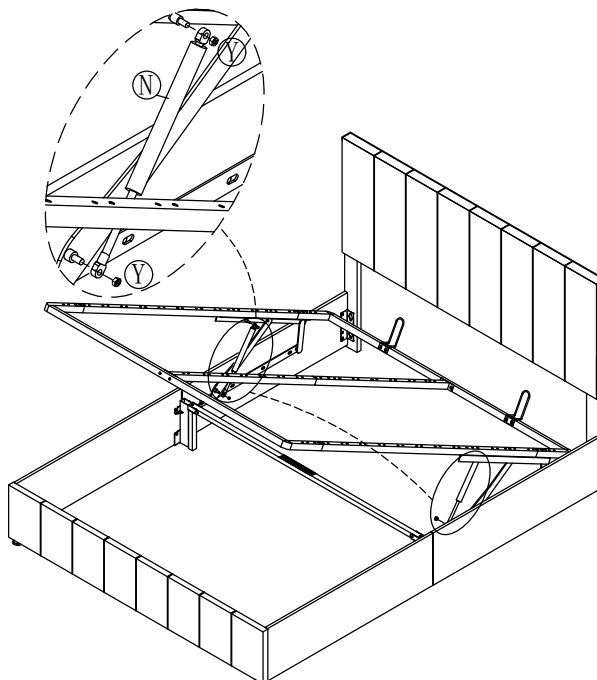
Step16

Schritt16

Y



4PCS



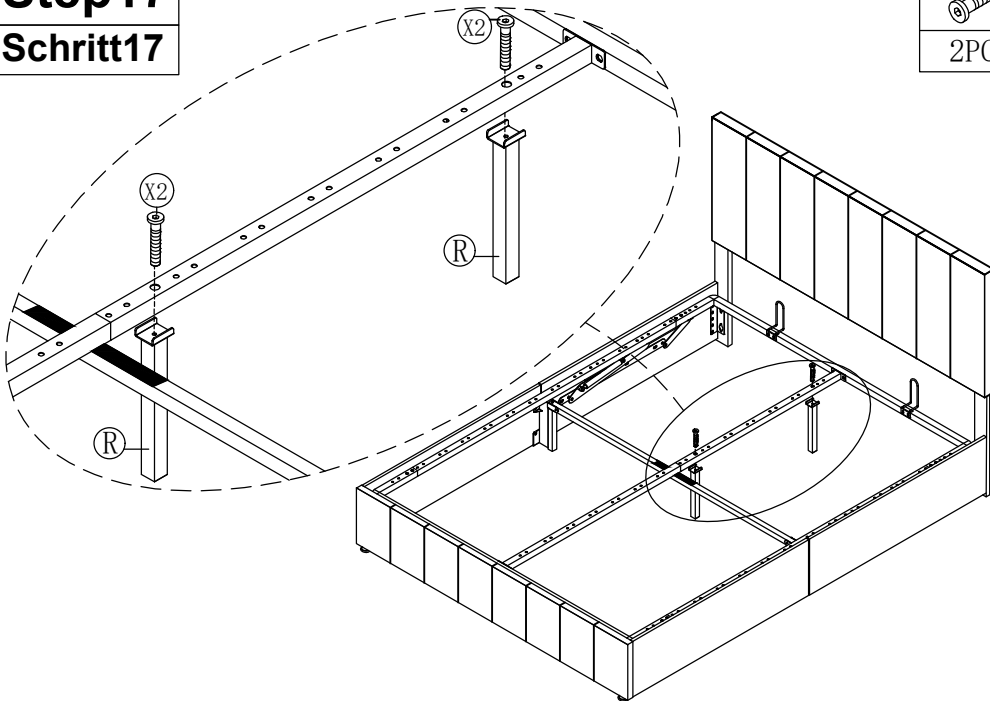
Step17

Schritt17

X2

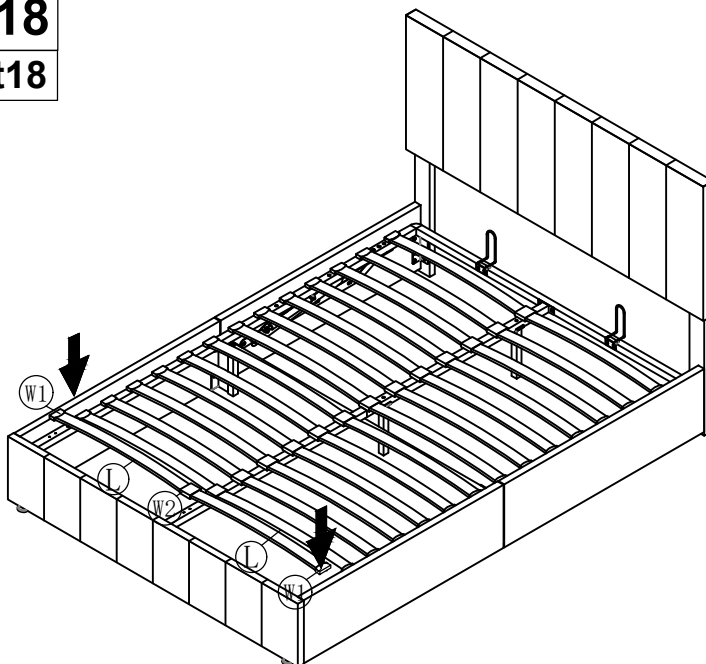


2PCS



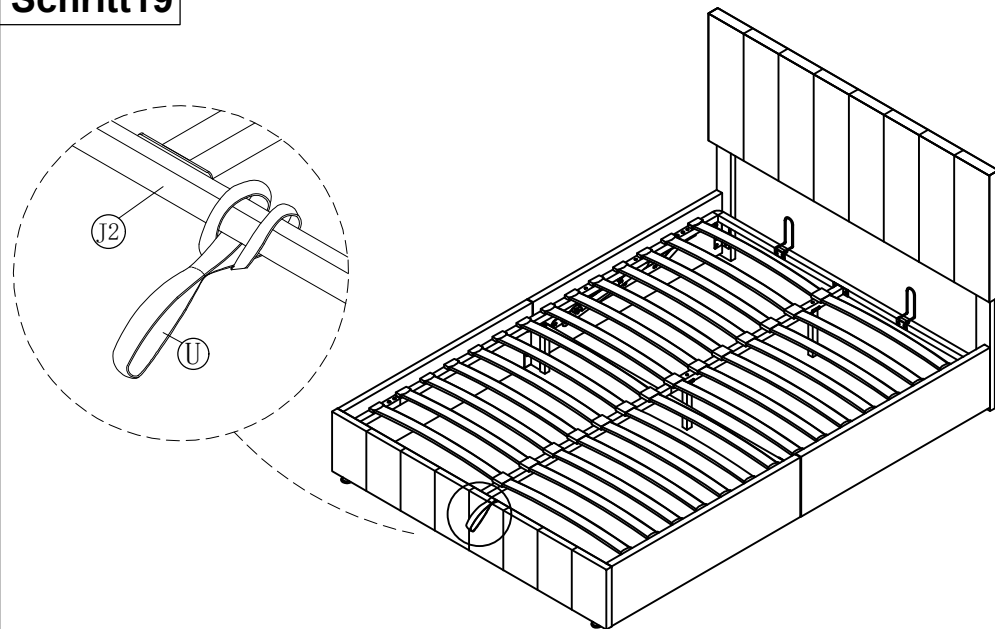
Step18

Schritt18



Step19

Schritt19



IMPORTANT NOTICE OTTOMAN OPERATING INSTRUCTIONS

Once your bed frame is completely assembled, the slat unit will not operate correctly unless a mattress is placed on the slat frame. Position the mattress on the slat frame whilst it is in the closed position.

PLEASE NOTE - It takes a lot of force to make the initial movement of the ottoman. This is a design feature of the product so that it does not fall shut - the nearer to being closed the ottoman is, the easier it is to move. When the ottoman is almost shut, it will close completely under its own weight.

When lowering the slat unit for the first time, take care to make sure it does not rub unevenly on the inside face of the side rails. If it does, the bed has been assembled slightly out of square. This can be rectified by moving the foot end of the bed slightly to the left or right whilst leaving the head end stationary.

PISTONS

The pistons used in the construction of this product are extremely strong and cannot be operated by hand when taken off the ottoman. All pistons are tested for correct pressure and operation before being attached to the slat unit.

Initially it might appear that the pistons are very stiff when opening and closing the ottoman.

THIS IS PERFECTLY NORMAL

When fully assembled and the mattress is in position, please raise and lower the ottoman 4/5 times to ensure the gas piston are fully lubricated.

