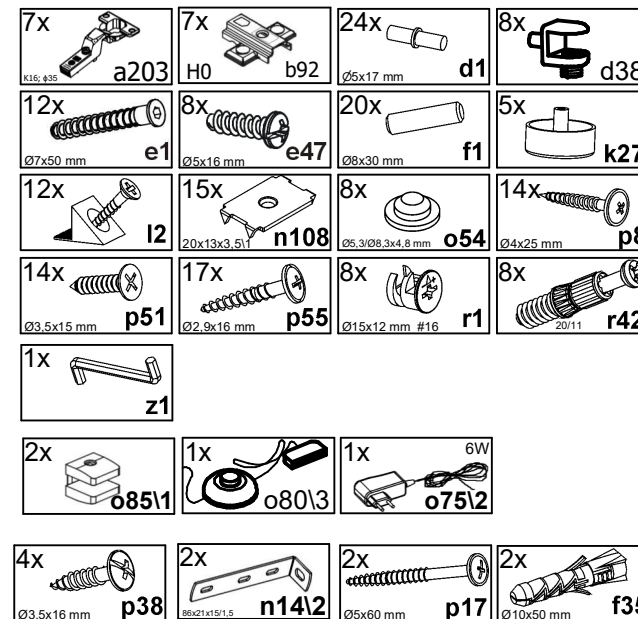
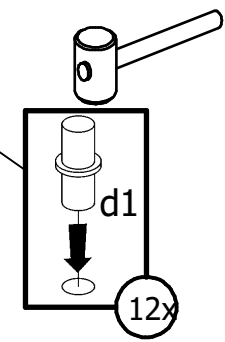
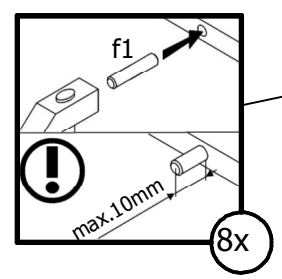
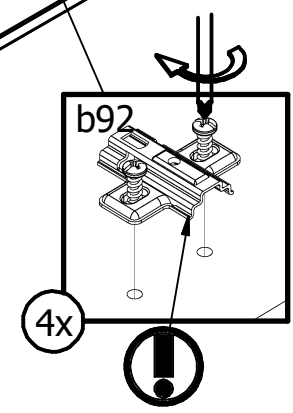
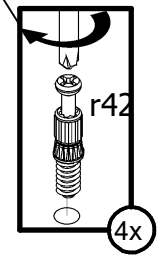
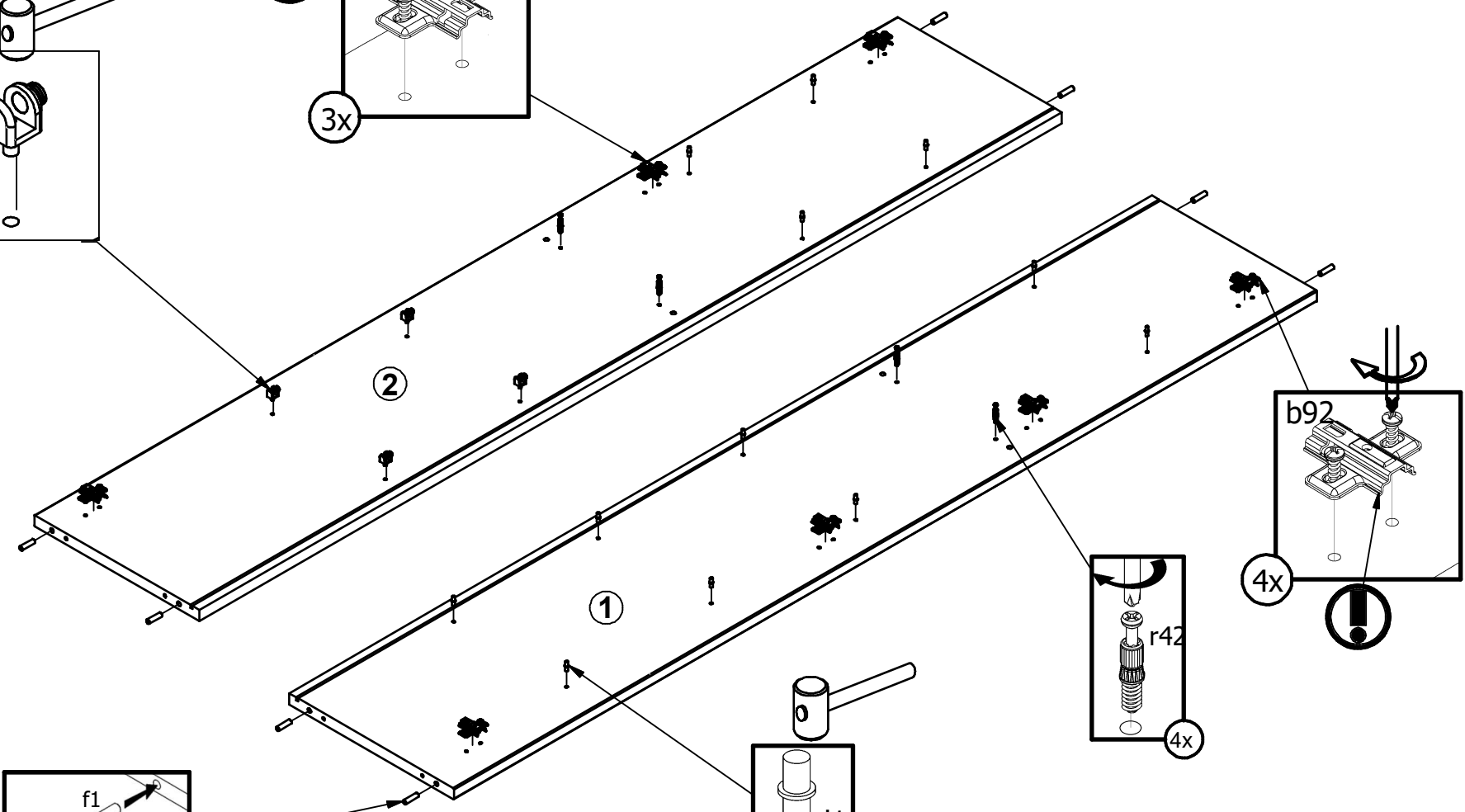
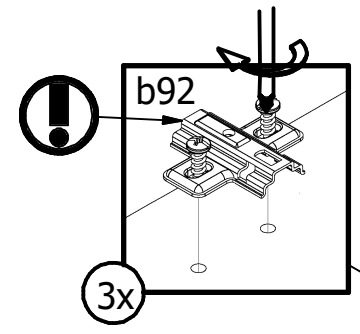
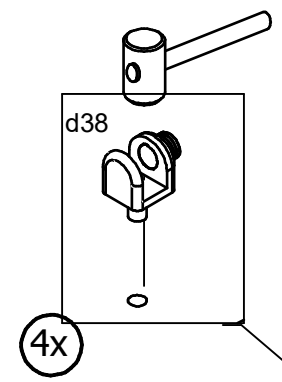


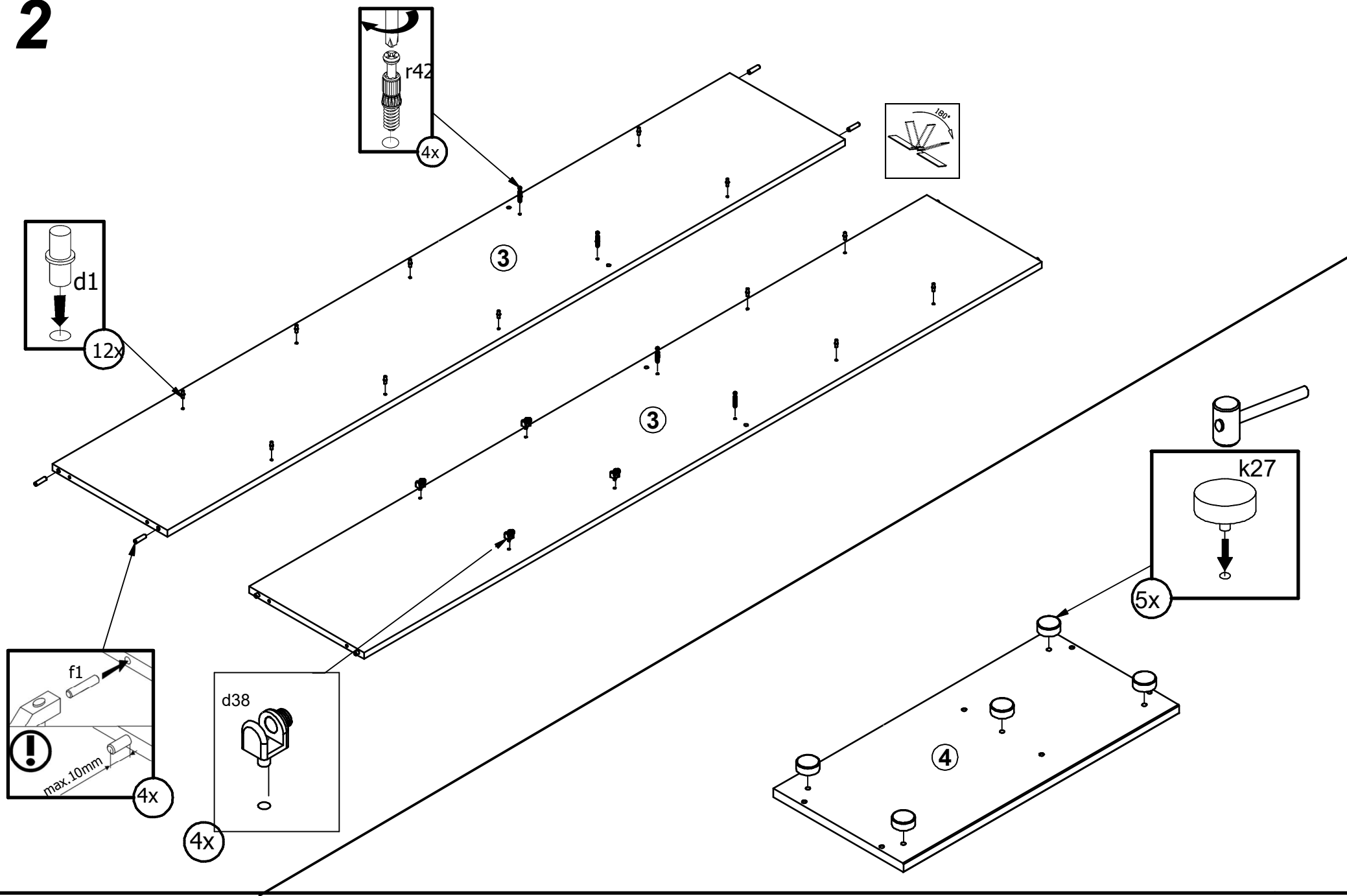
A	B	C1	C2	C3	D
1	S551-1001	1956	374	22	2/3
2	S551-1002	1956	374	22	2/3
3	S551-1003	1956	332	16	2/3
4	S551-2001	795	376	22	1/3
5	S551-2002	795	376	22	1/3
6	S551-3001	441	322	16	3/3
7	S551-3002	442	332	16	3/3
8	S551-3003	291	322	16	1/3
9	S551-3004	292	332	16	1/3
10	S551-3005	435	320	6	1/3
11	S551-5501	980	437	4	3/3
12	S551-7001	296	1232	19	3/3
13	S551-7002	296	718	19	3/3
14	S551-7003	446	156	19	3/3
15	S551-7004	446	156	19	3/3
16	S551-7005	446	718	19	3/3
17	S551-7302	288	100	12	3/3
18	S551-7303	438	100	12	3/3
19	S551-9001	1966	305	2,5	2/3
20	S551-9002	840	455	2,5	3/3
21	S551-9012	455	1126	2,5	3/3



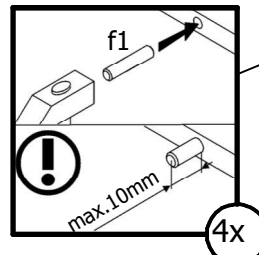
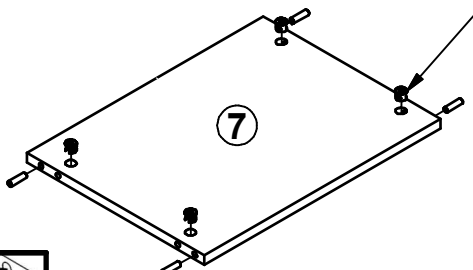
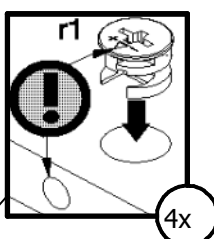
1



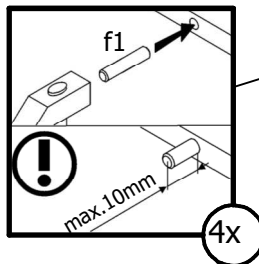
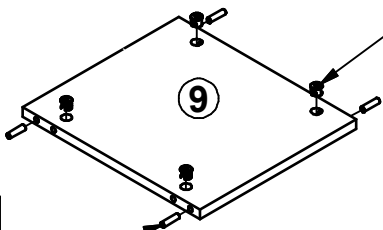
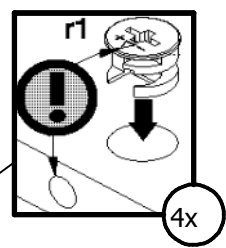
2



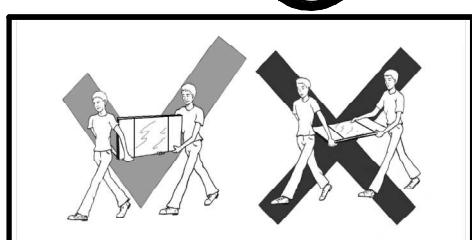
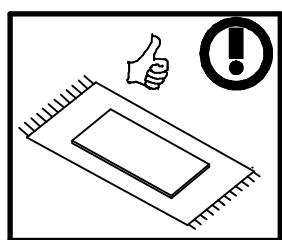
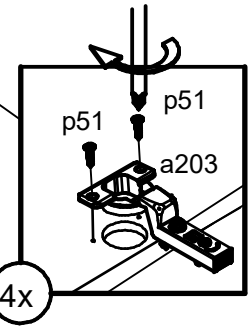
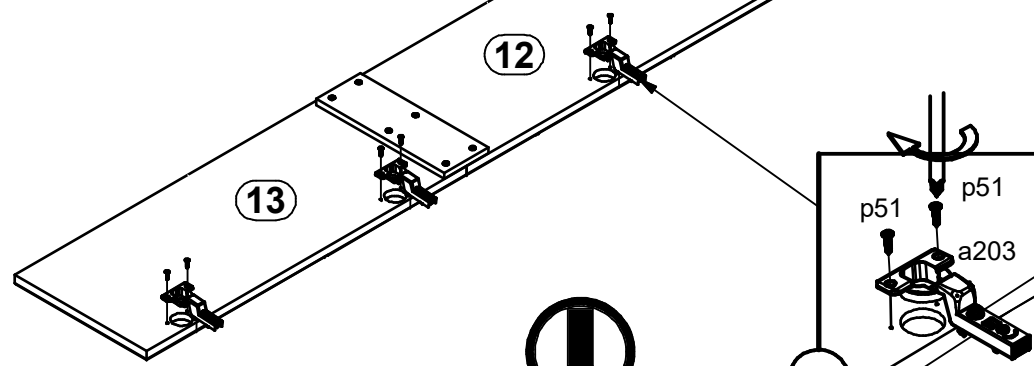
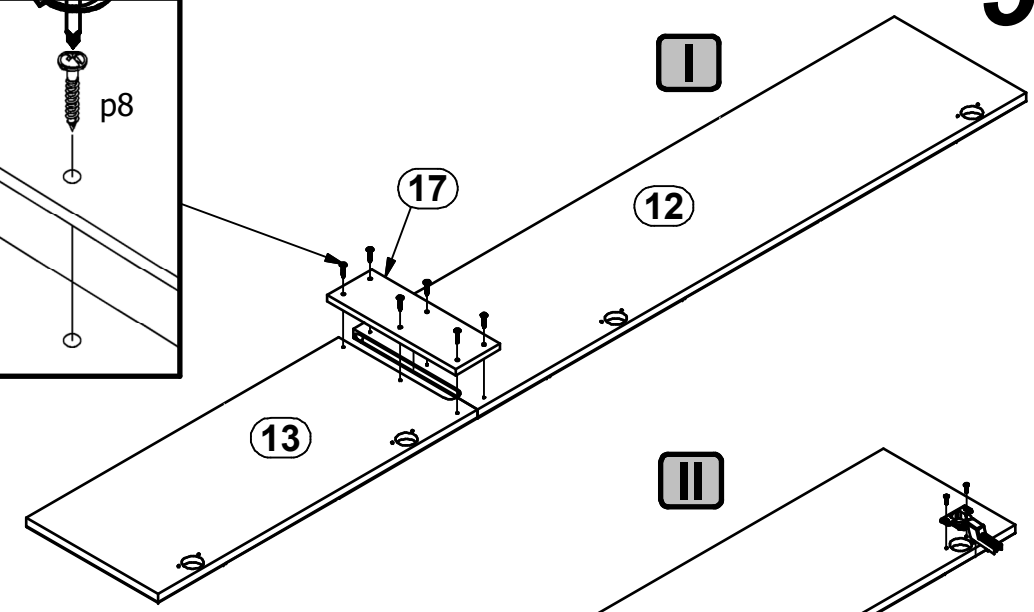
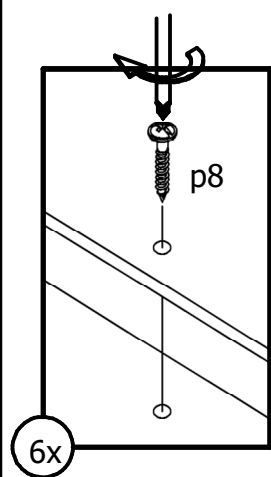
3



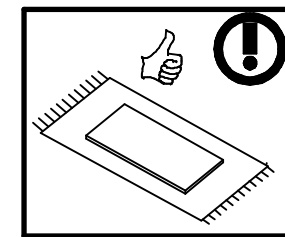
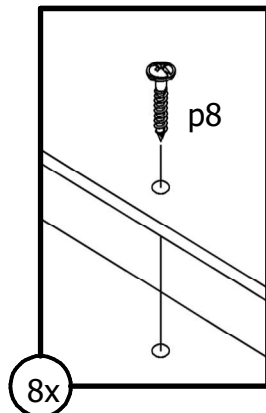
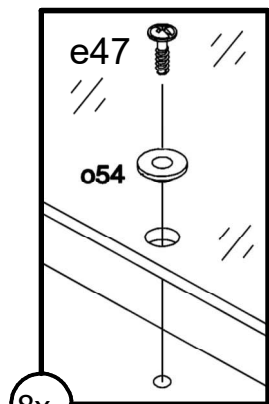
4



5

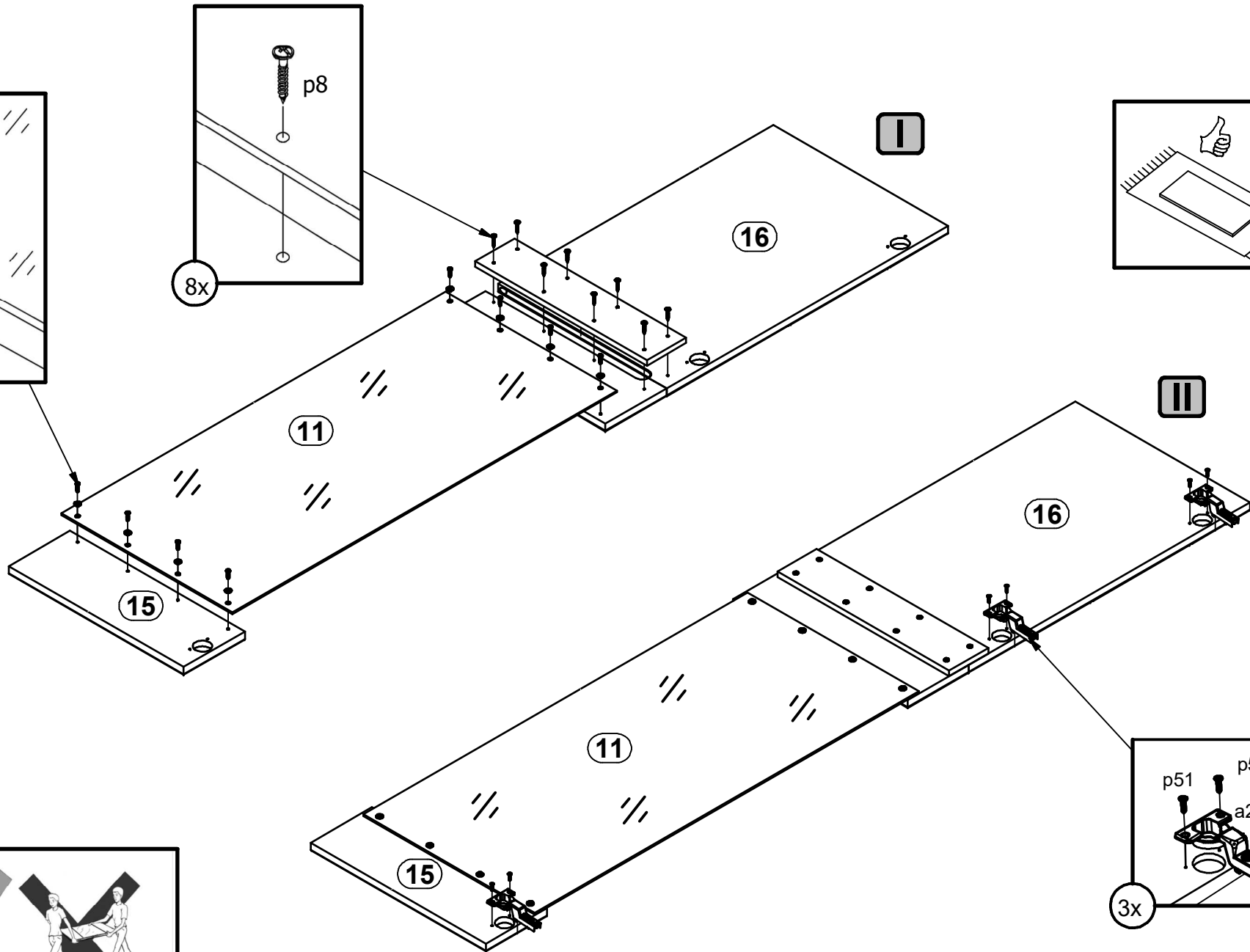


4x



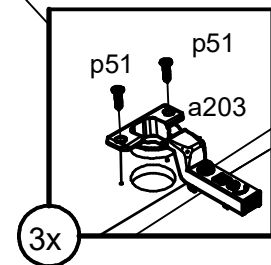
8x

8x

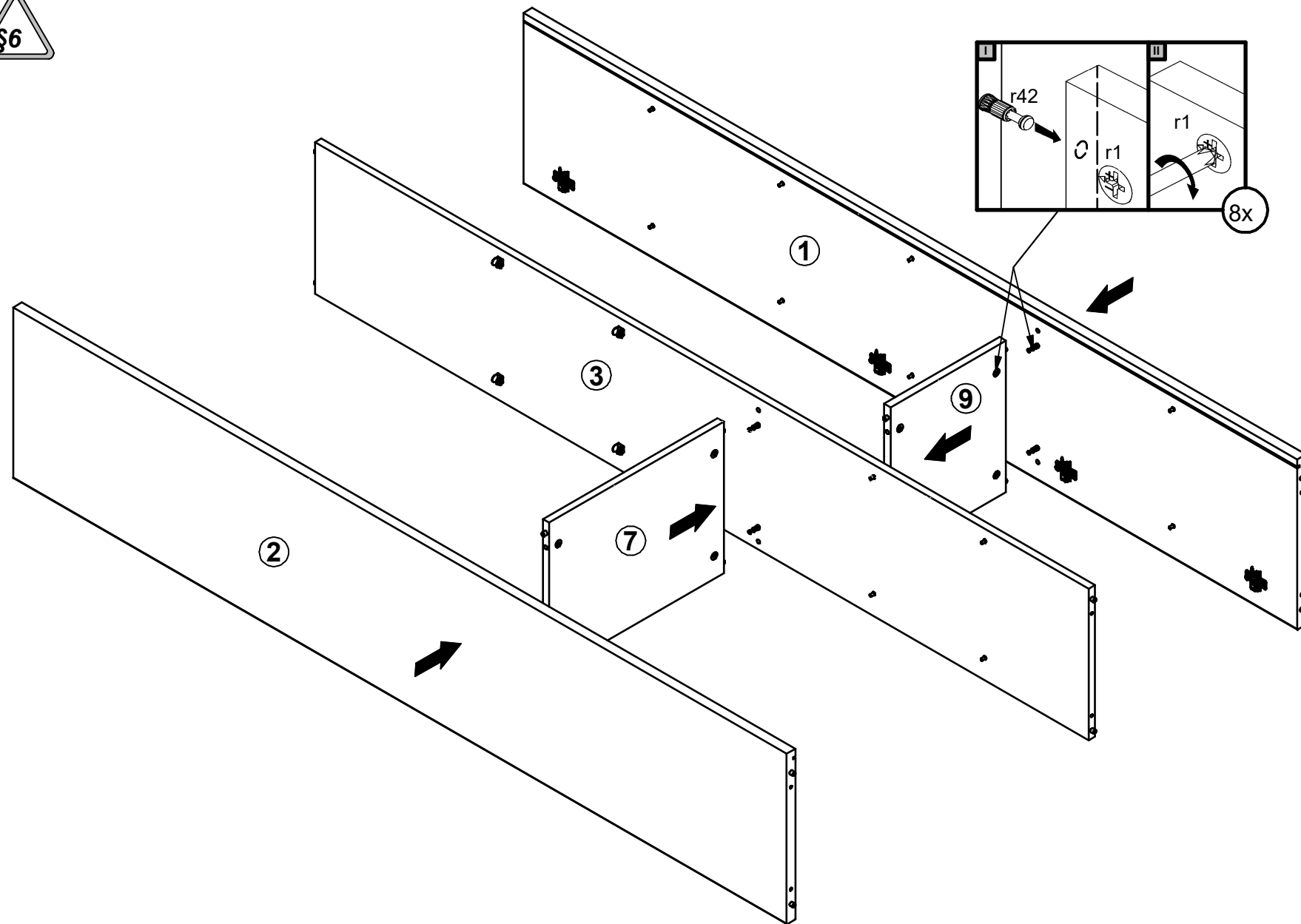


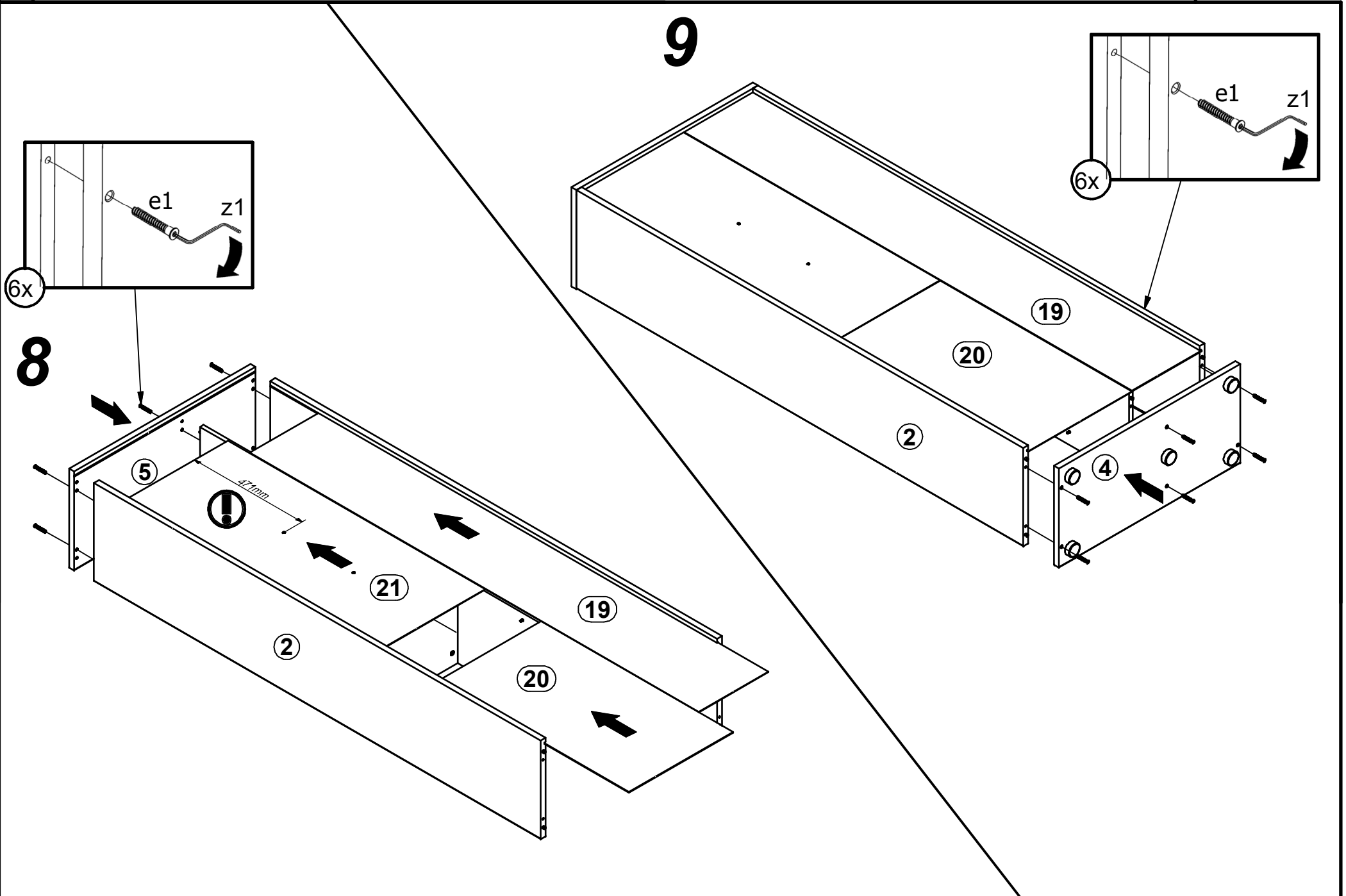
II

I

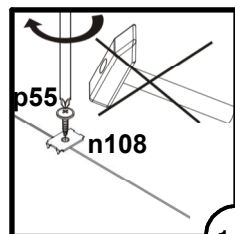


7 

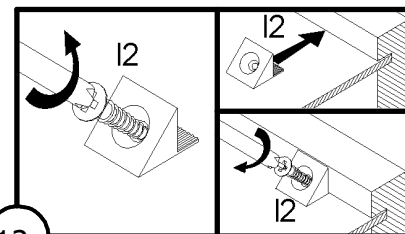




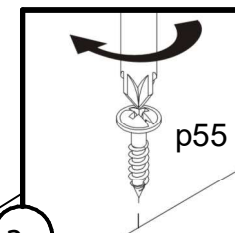
10



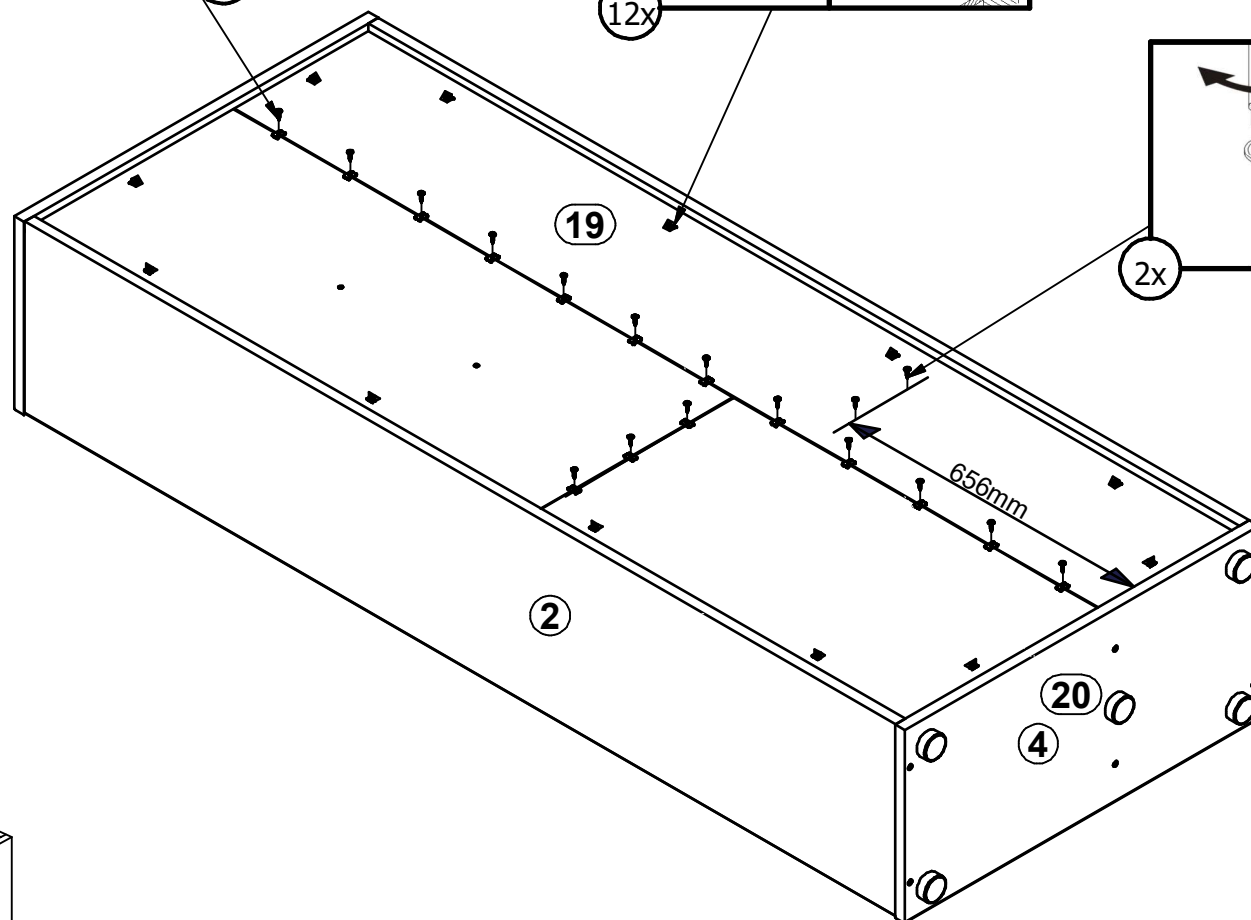
15x



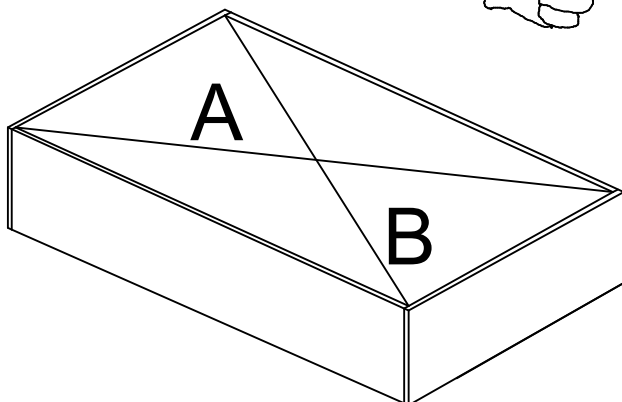
12x



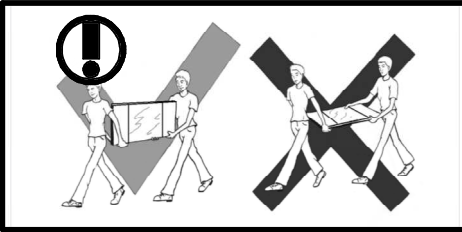
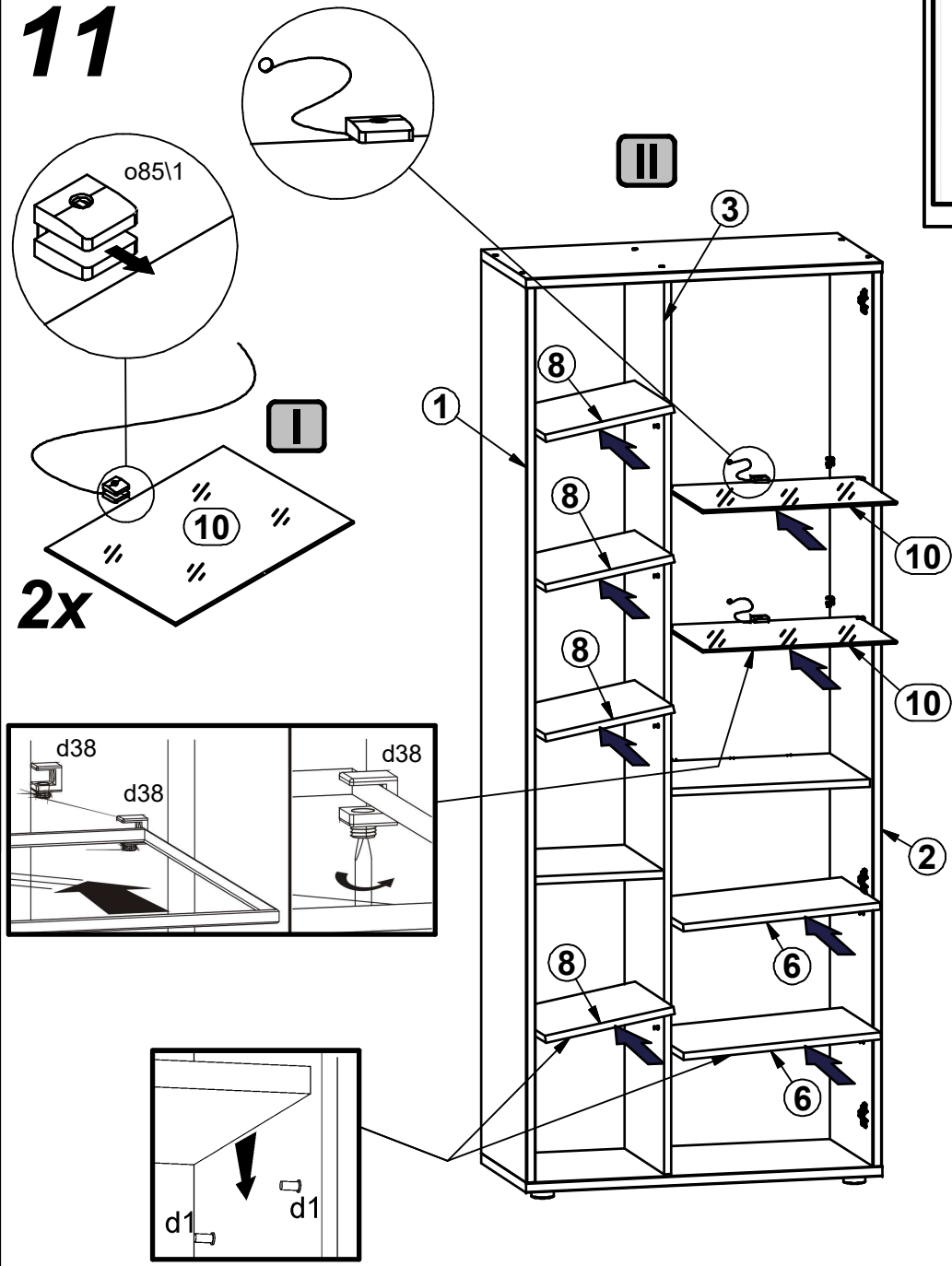
2x



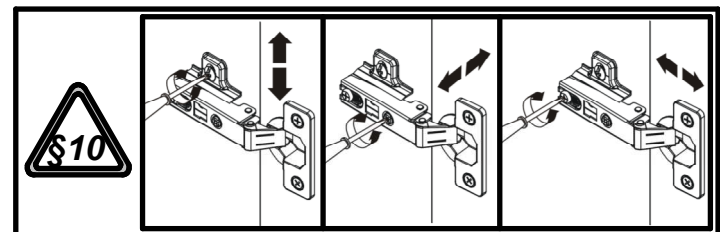
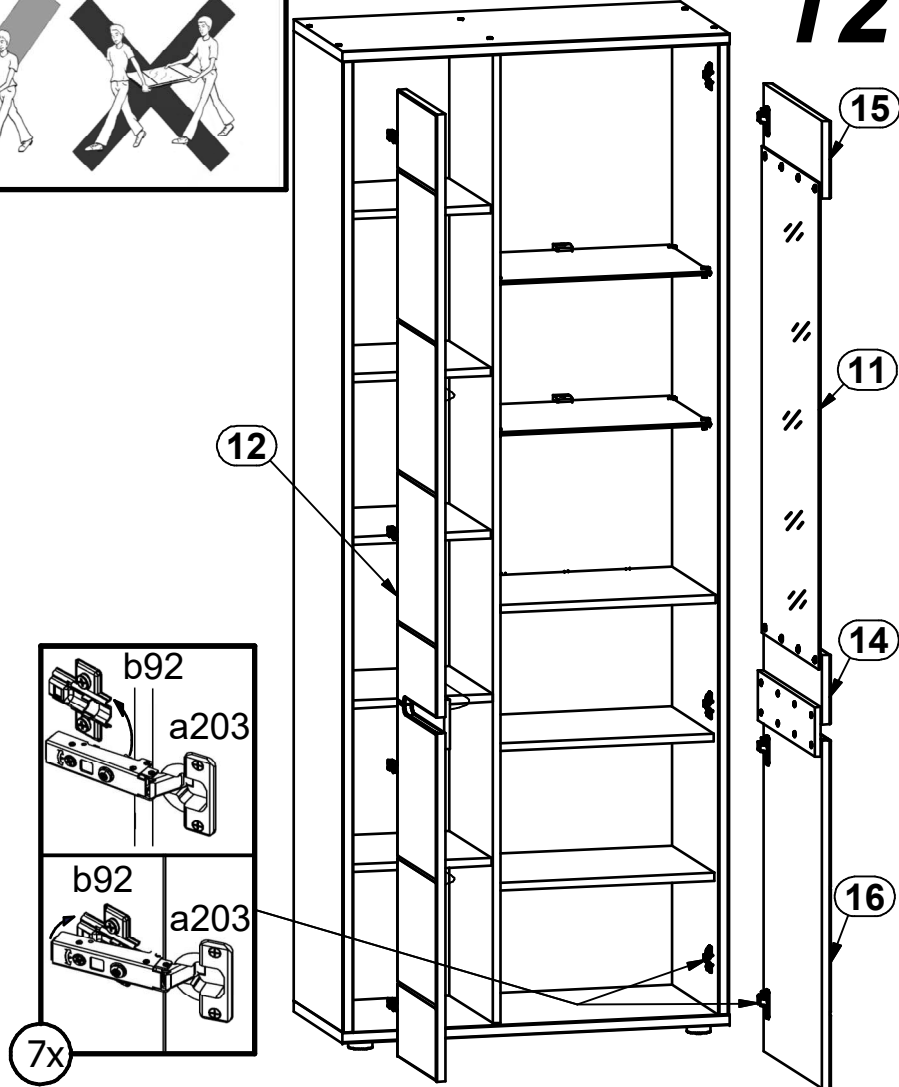
⚠ A=B



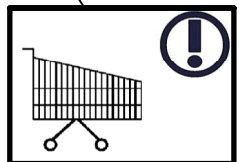
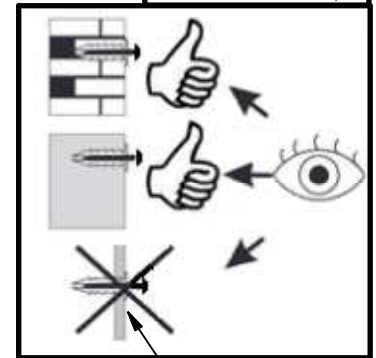
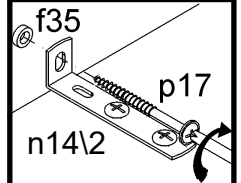
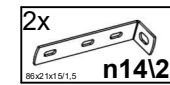
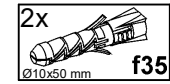
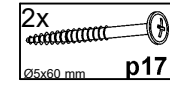
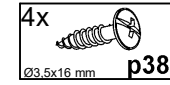
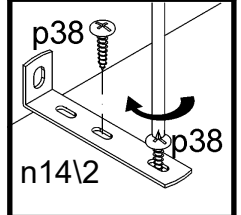
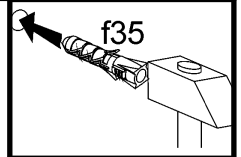
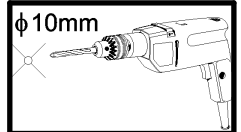
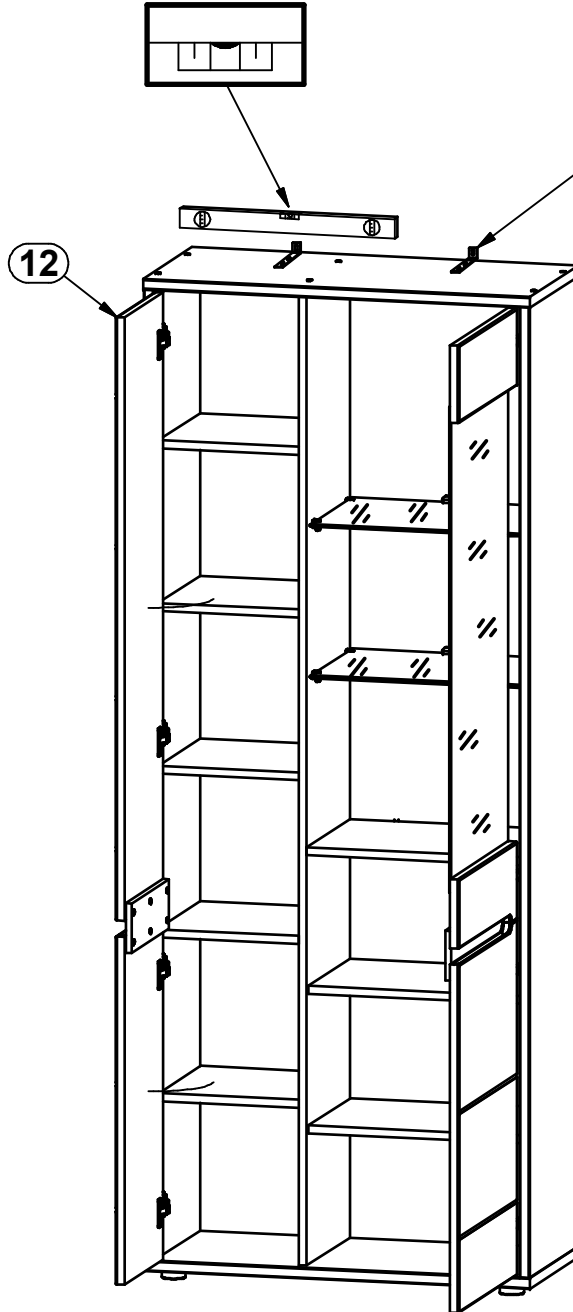
11

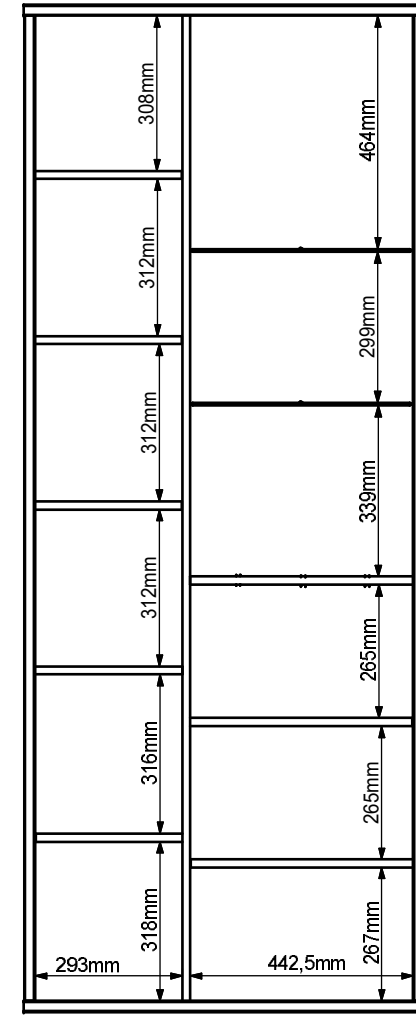
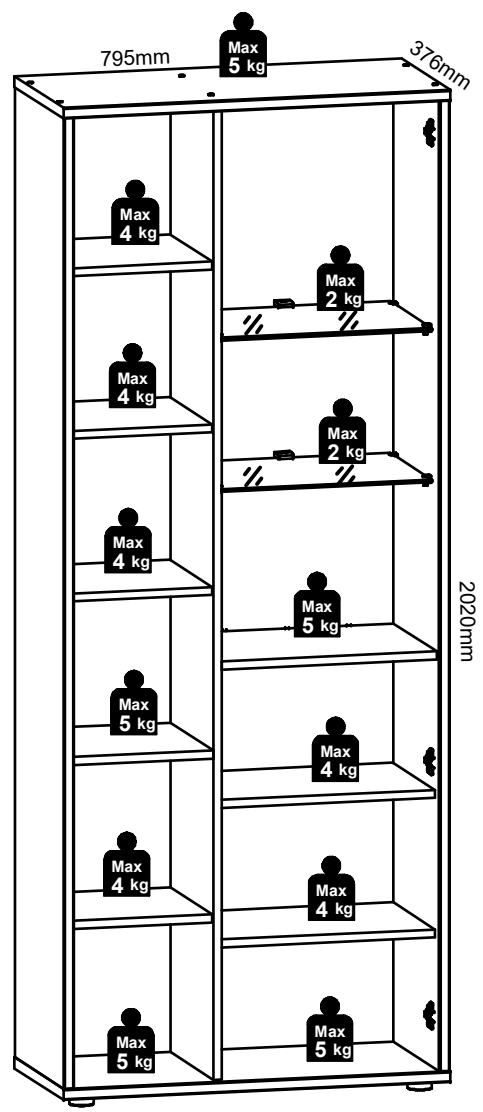


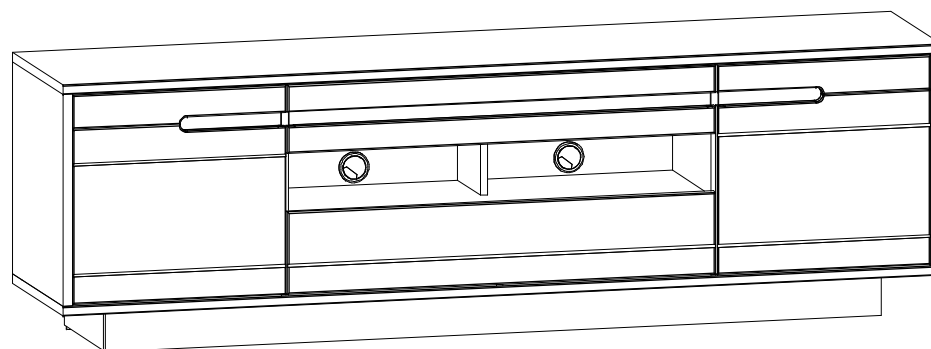
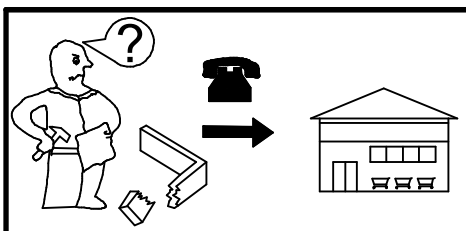
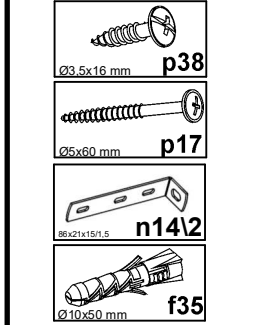
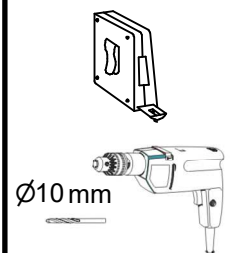
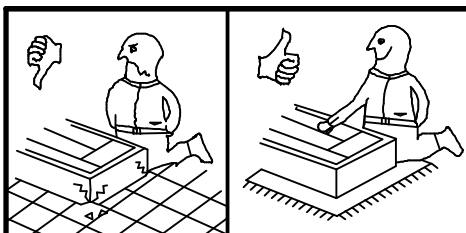
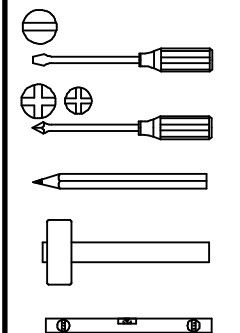
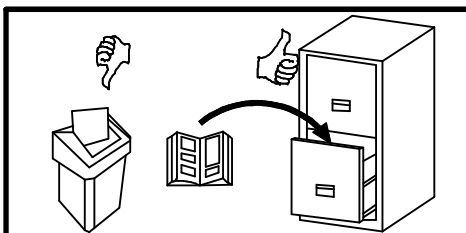
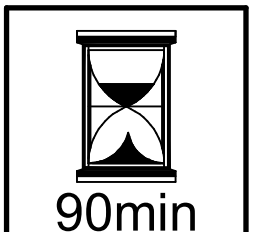
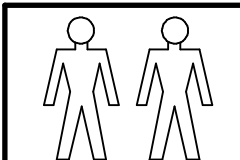
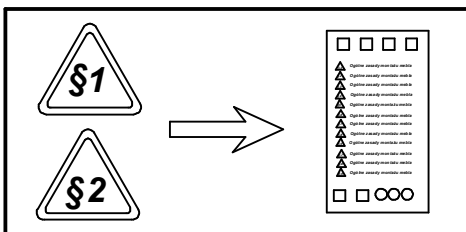
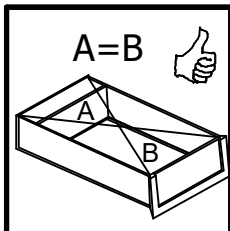
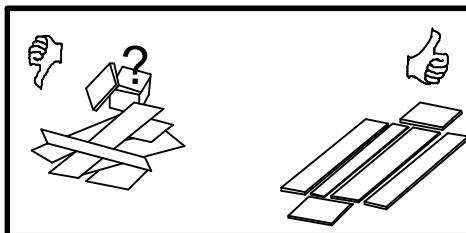
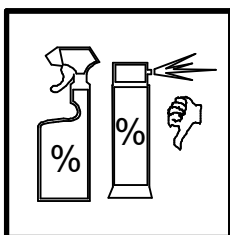
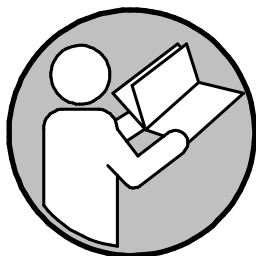
12

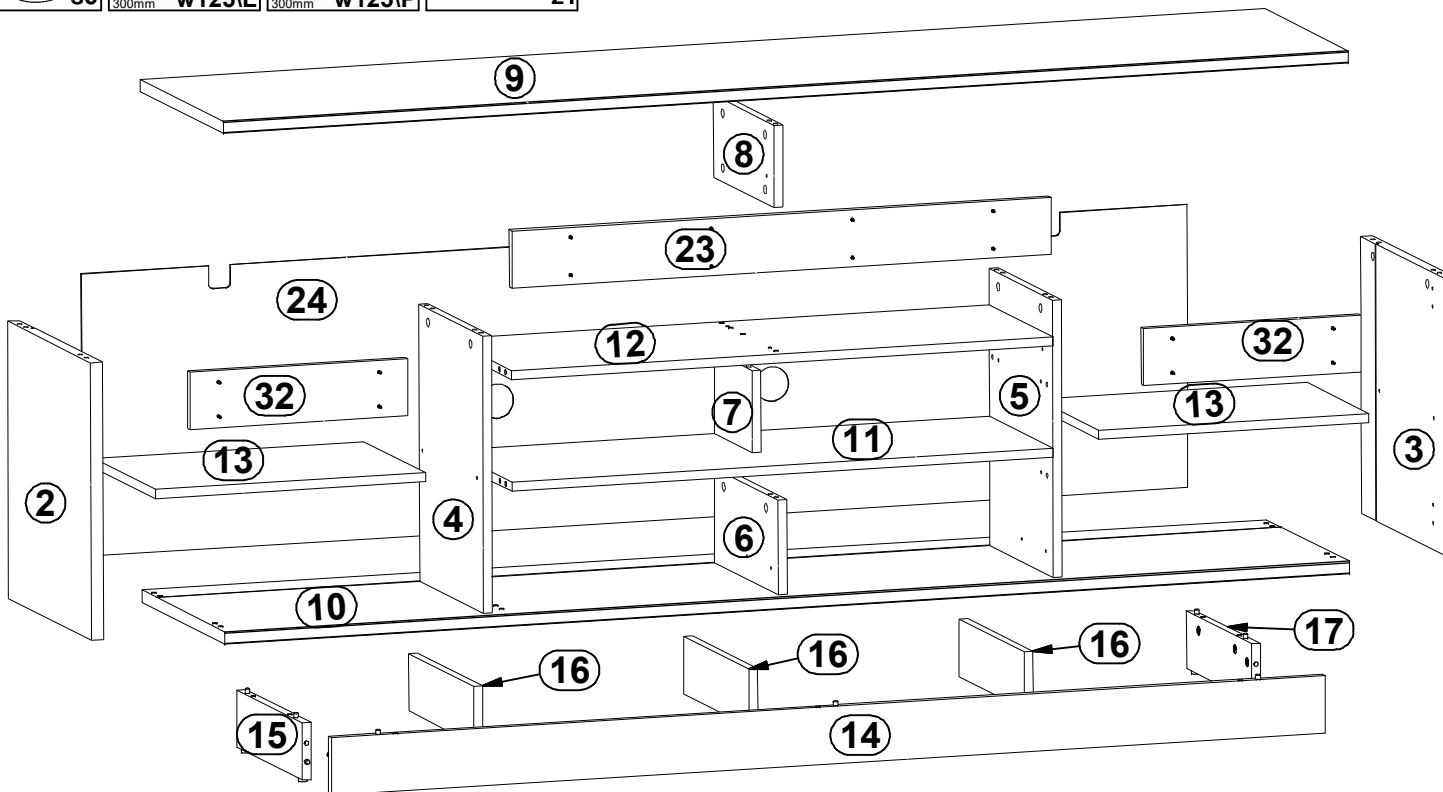
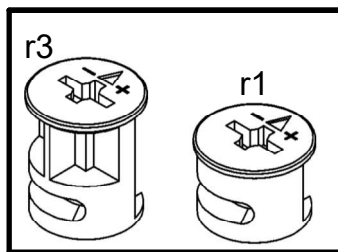
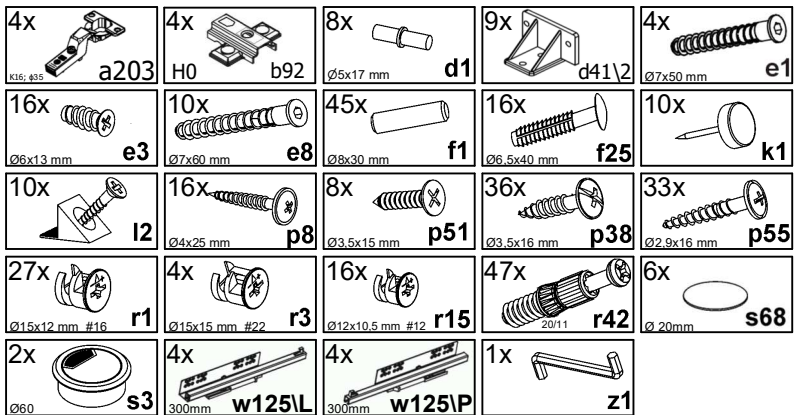
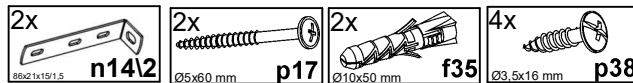


13









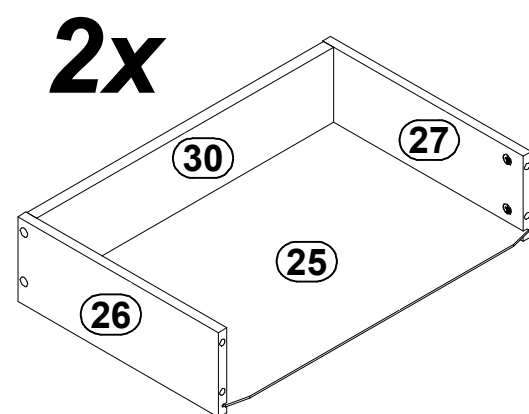
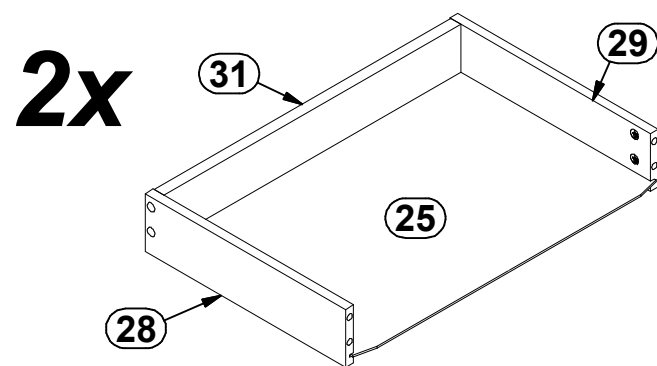
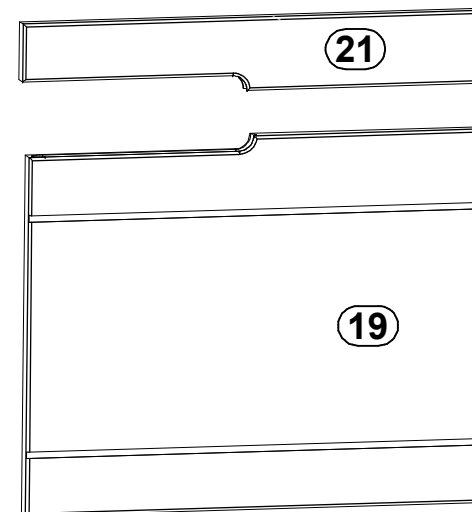
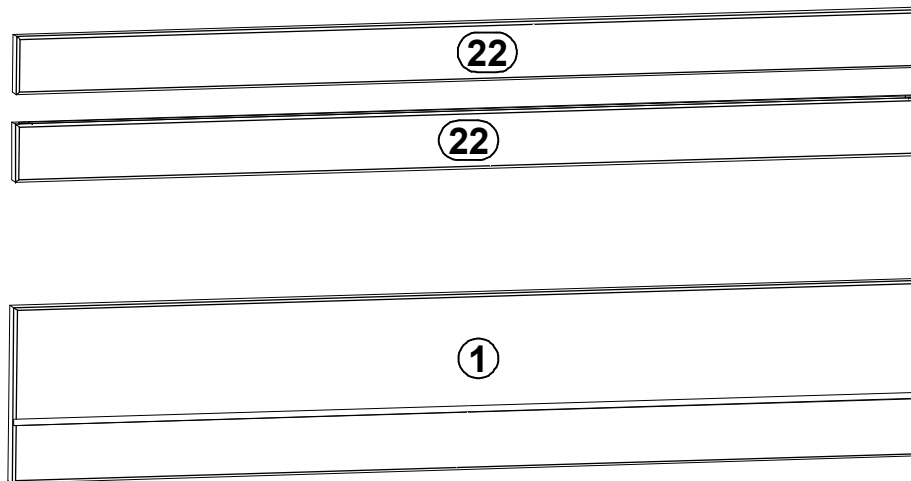
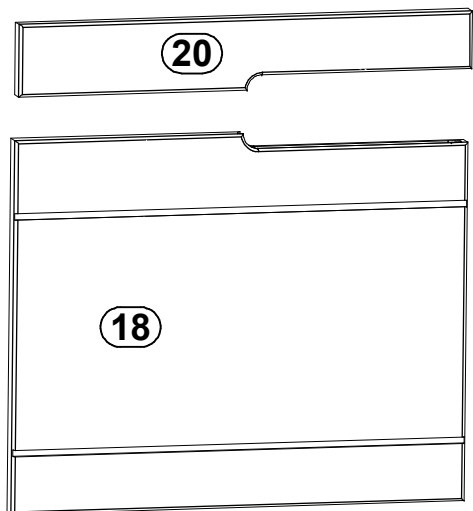
A	B	C1	C2	C3	D
1	S551-0010	996	188	19	3/4
2	S551-1017	484	438	22	1/4
3	S551-1018	484	438	22	1/4
4	S551-1019	484	336	16	3/4
5	S551-1020	484	336	16	3/4
6	S551-1021	165	336	16	3/4
7	S551-1022	143	200	16	1/4
8	S551-1023	144	320	16	3/4
9	S551-2011	2045	440	22	2/4
10	S551-2012	2045	440	22	4/4
11	S551-3016	984	336	16	3/4
12	S551-3017	984	336	16	3/4
13	S551-3018	491	326	16	3/4
14	S551-4005	1806	100	16	2/4
15	S551-4006	344	100	16	3/4
16	S551-4007	344	100	16	3/4
17	S551-4009	344	100	16	3/4
18	S551-7016	496	400	19	1/4
19	S551-7017	496	400	19	1/4
20	S551-7018	496	78	19	3/4
21	S551-7019	496	78	19	3/4
22	S551-7020	996	62	19	3/4
23	S551-7308	980	100	16	3/4
24	S551-9011	2010	494	2,5	2/4
25	WSP-9438	454	308	2,5	3/4
26	ZQ6-517	300	110	12	1/4
27	ZQ6-518	300	110	12	1/4
28	ZQ6-525	300	75	12	1/4
29	ZQ6-526	300	75	12	1/4
30	ZQ6-5288	444	97	15	1/4
31	ZQ6-5289	444	62	15	1/4
32	S551-7309	396	100	12	3/4

A

S551-RTV2D2S

10M6--31

3 /21



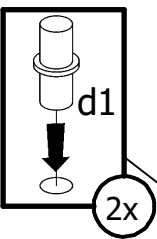
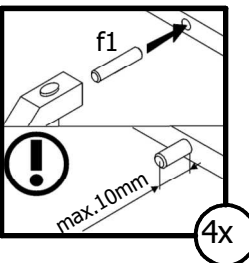
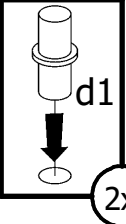
A

S551-RTV2D2S

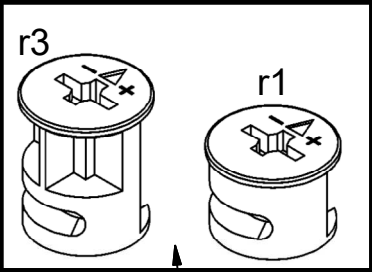
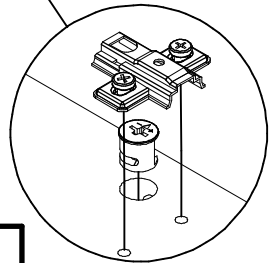
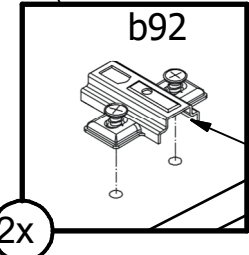
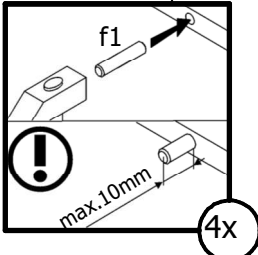
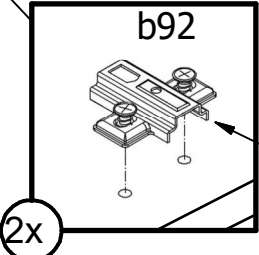
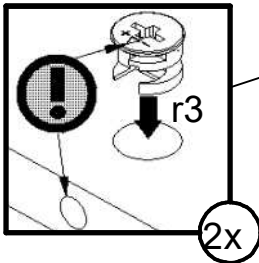
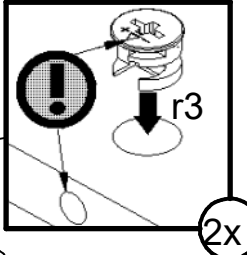
10M6--31

4 / 21

1

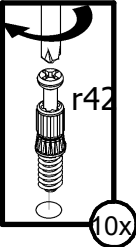


2

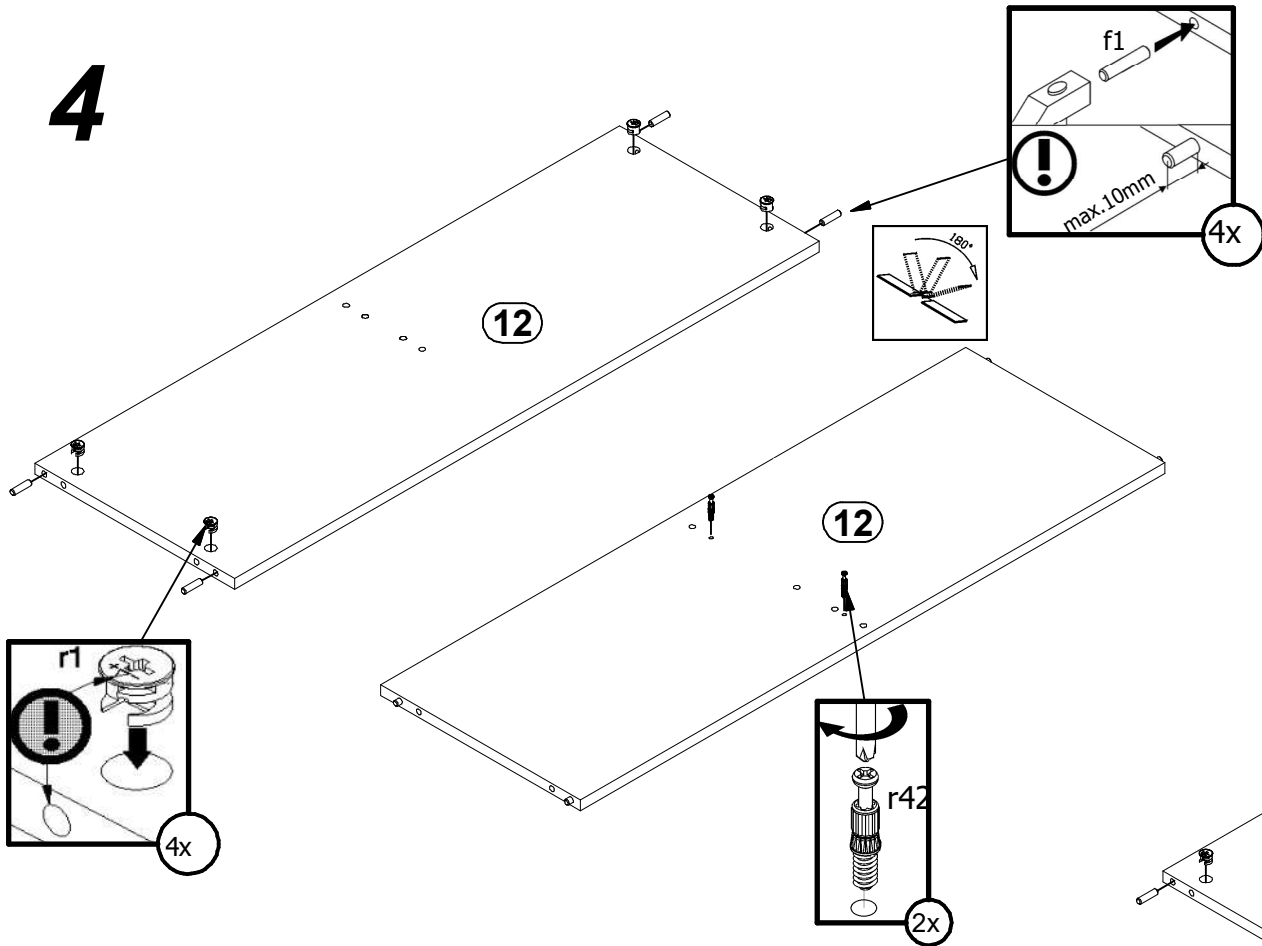


9

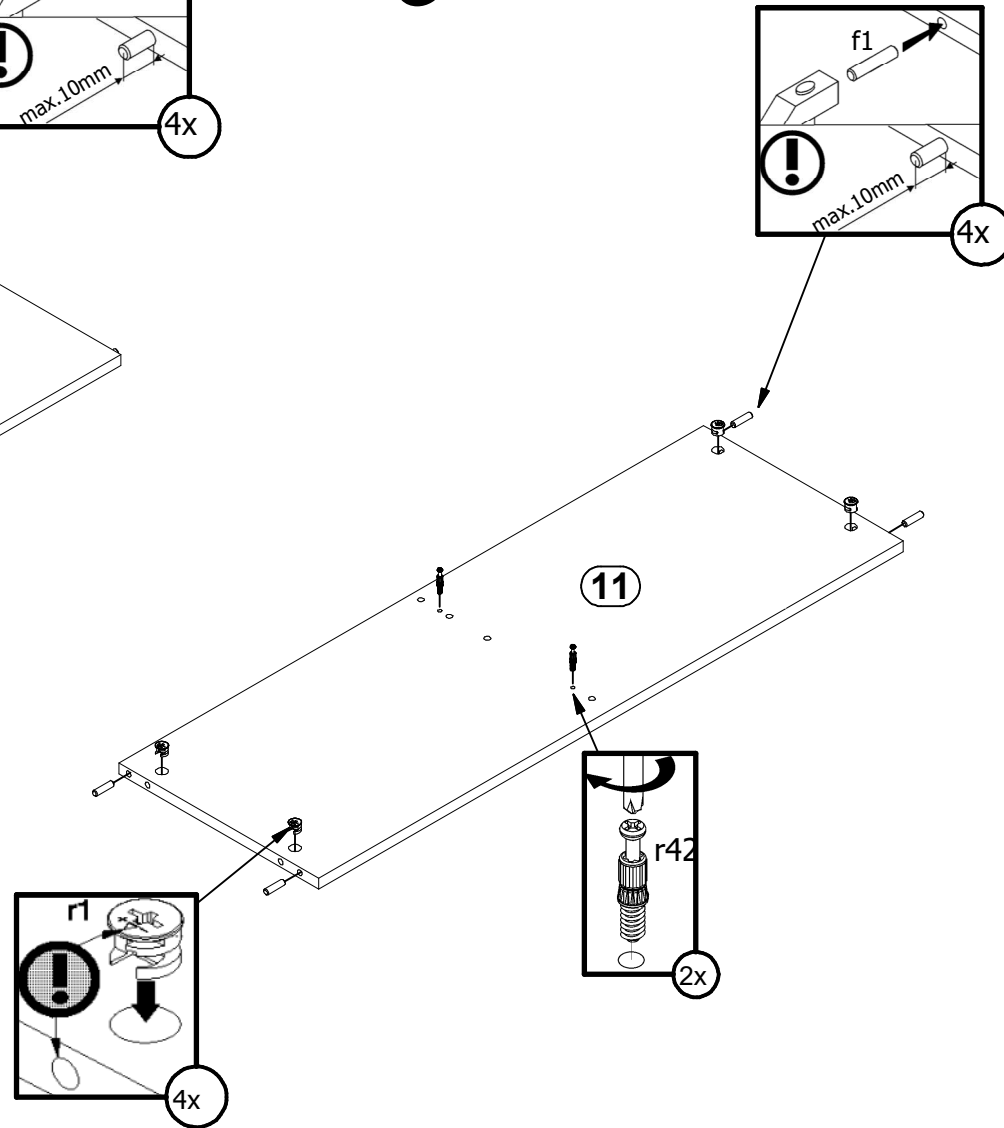
3



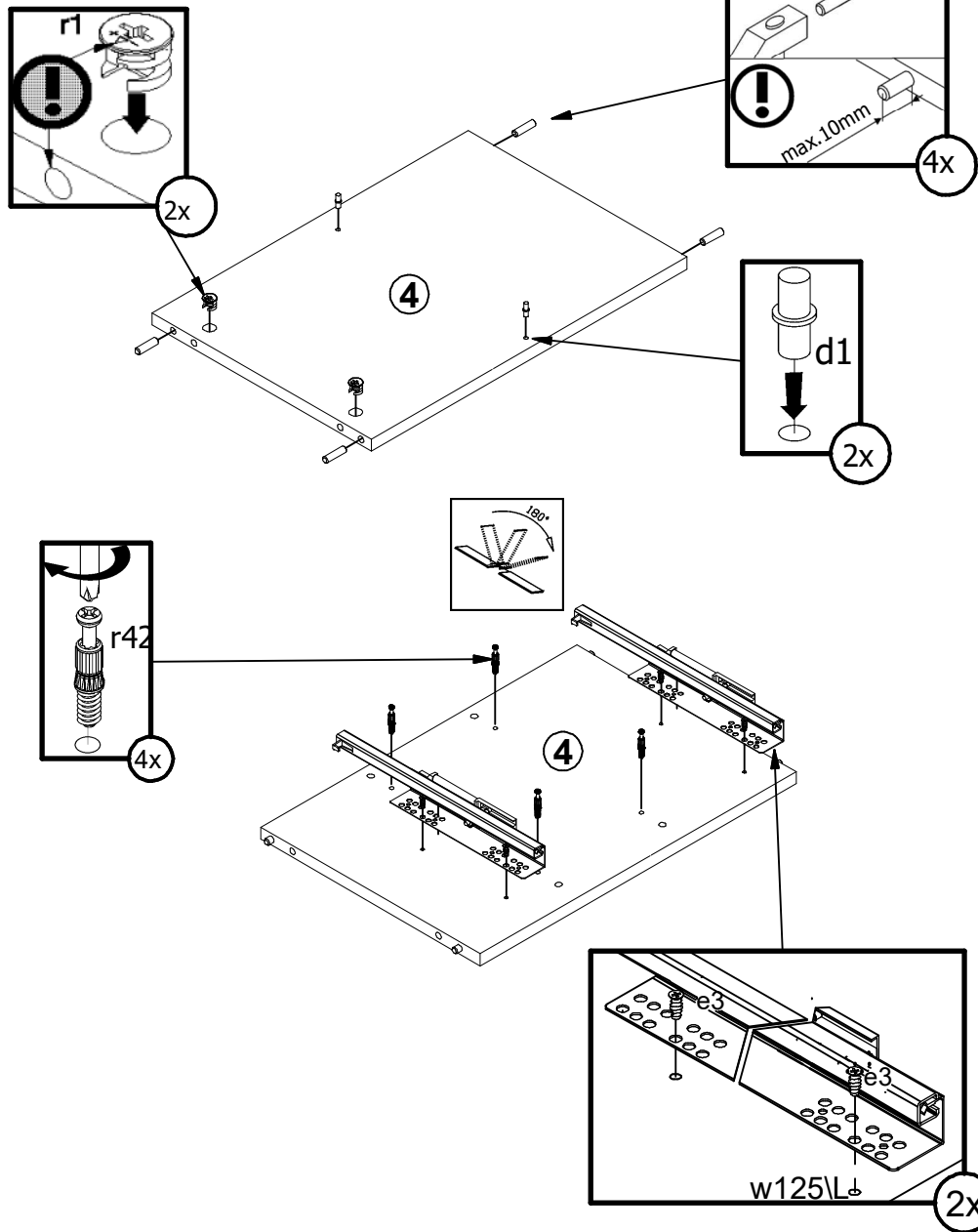
4



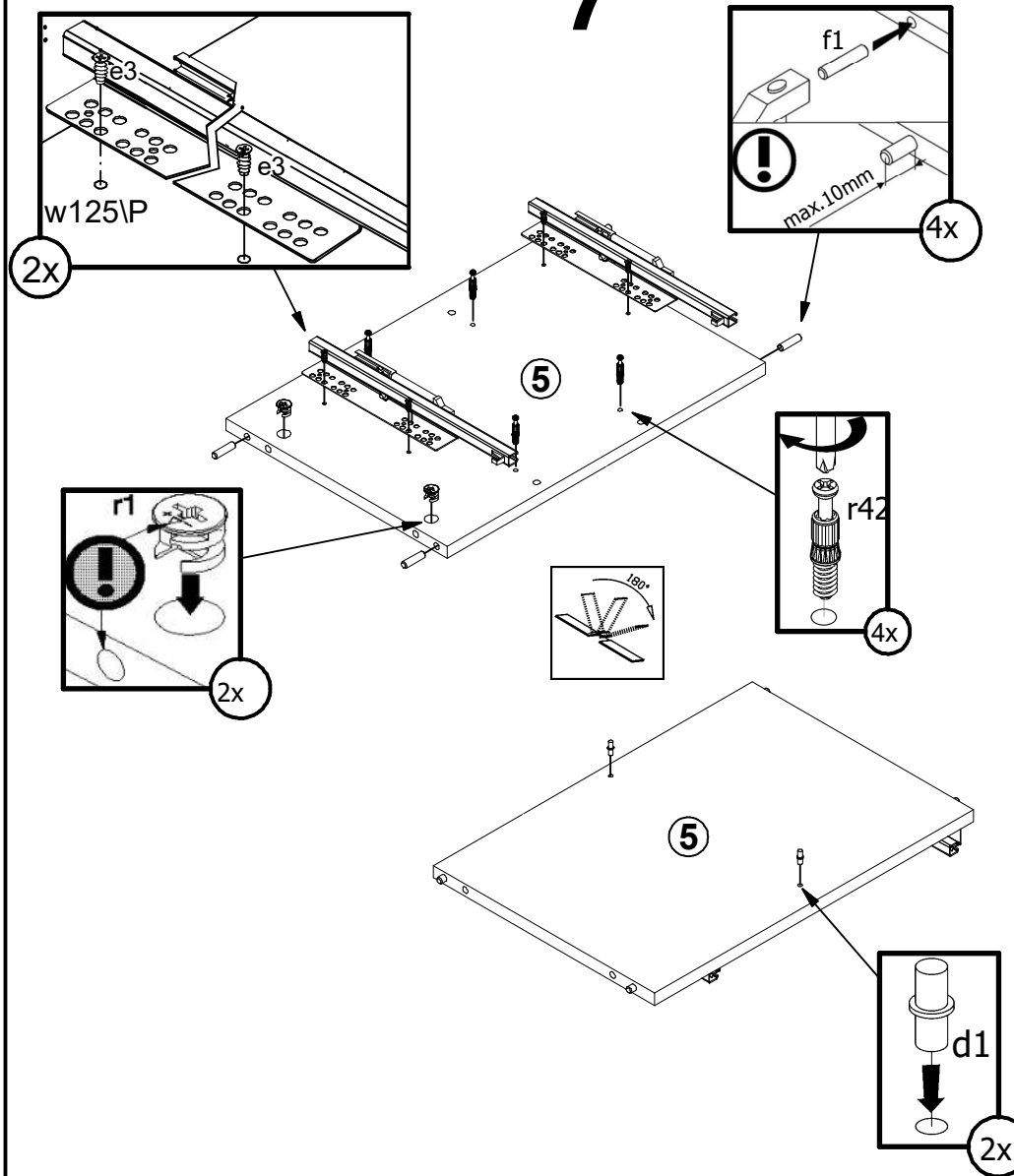
5



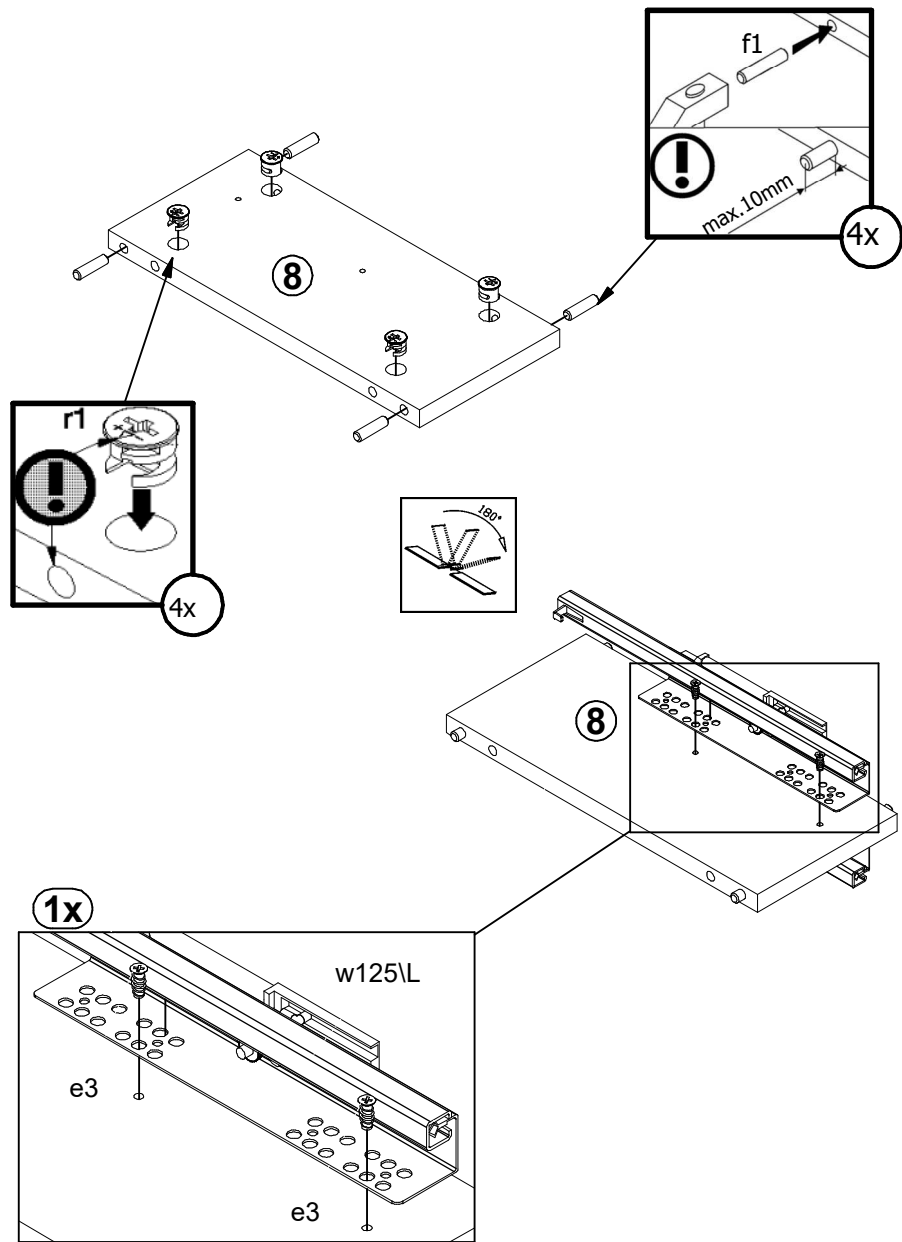
6



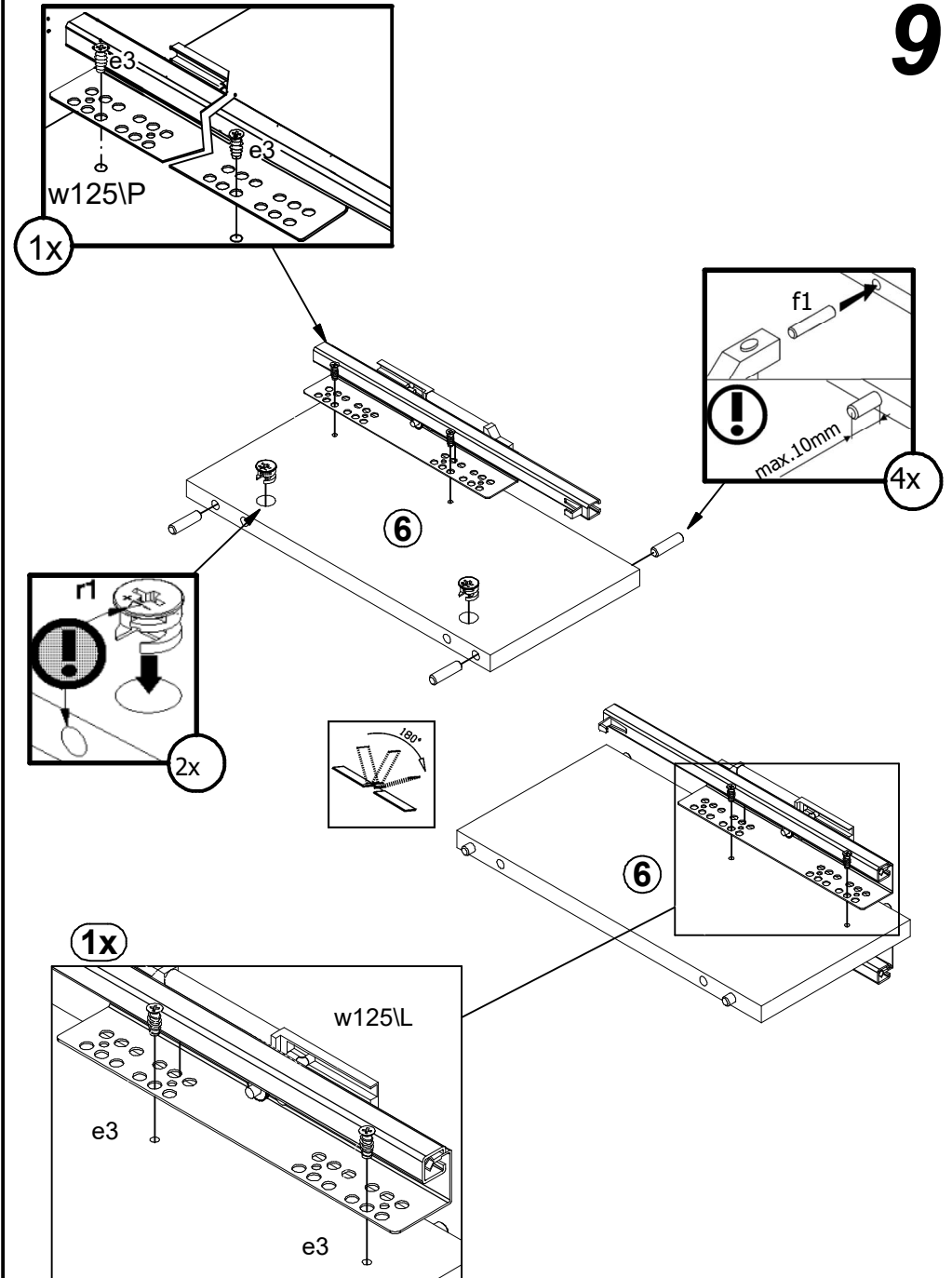
7

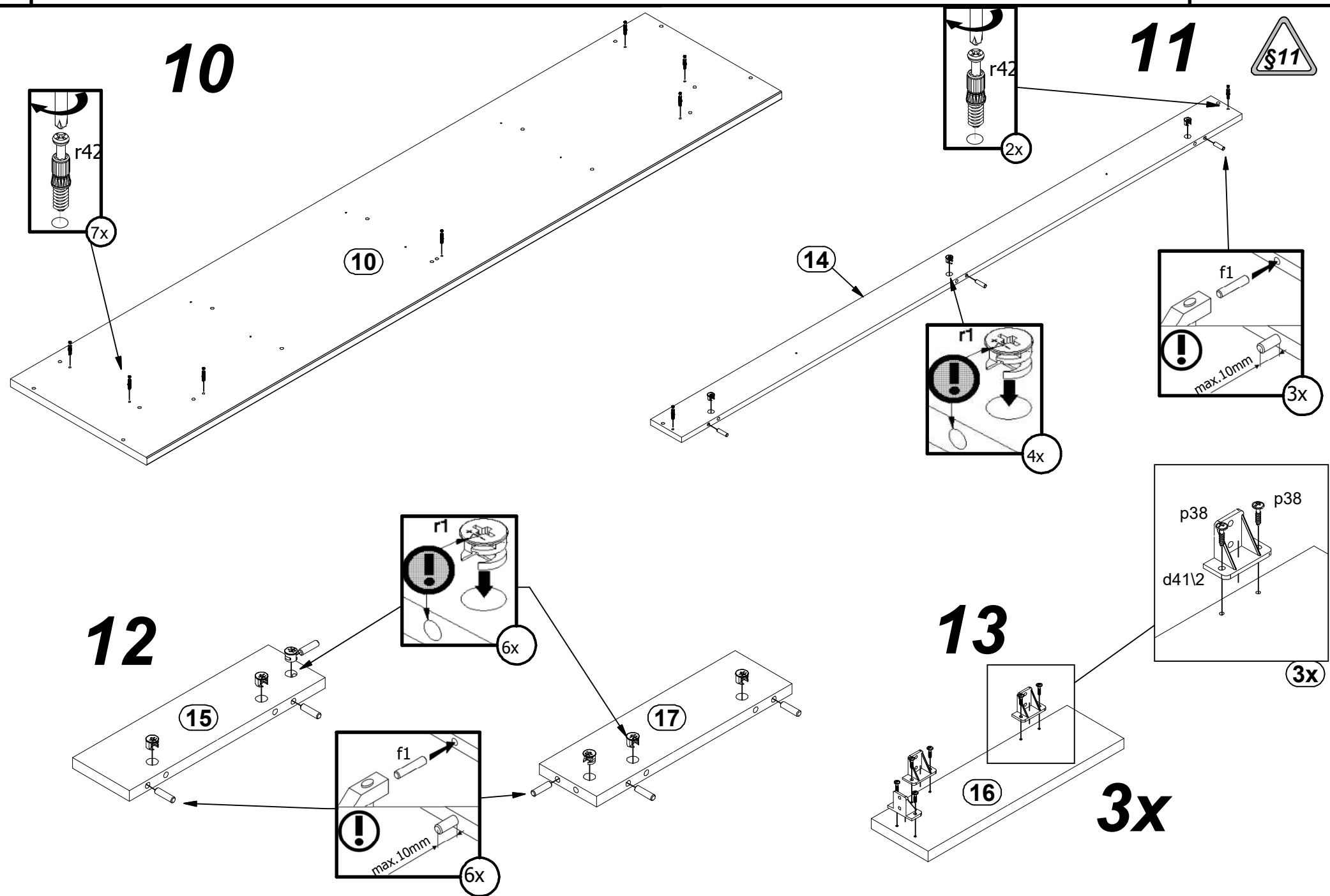


8

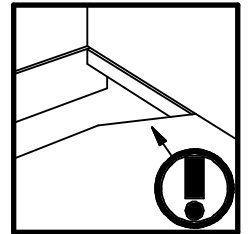
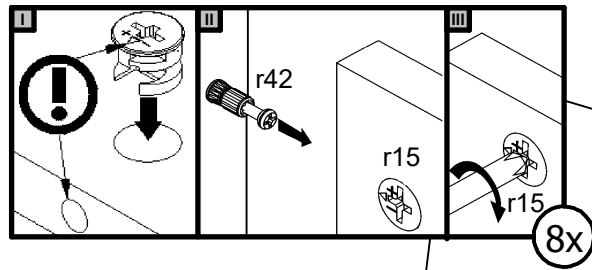
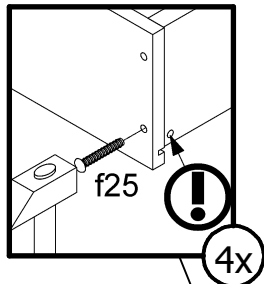
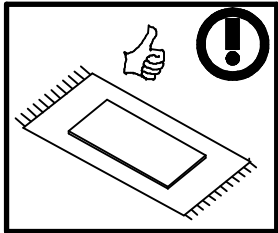
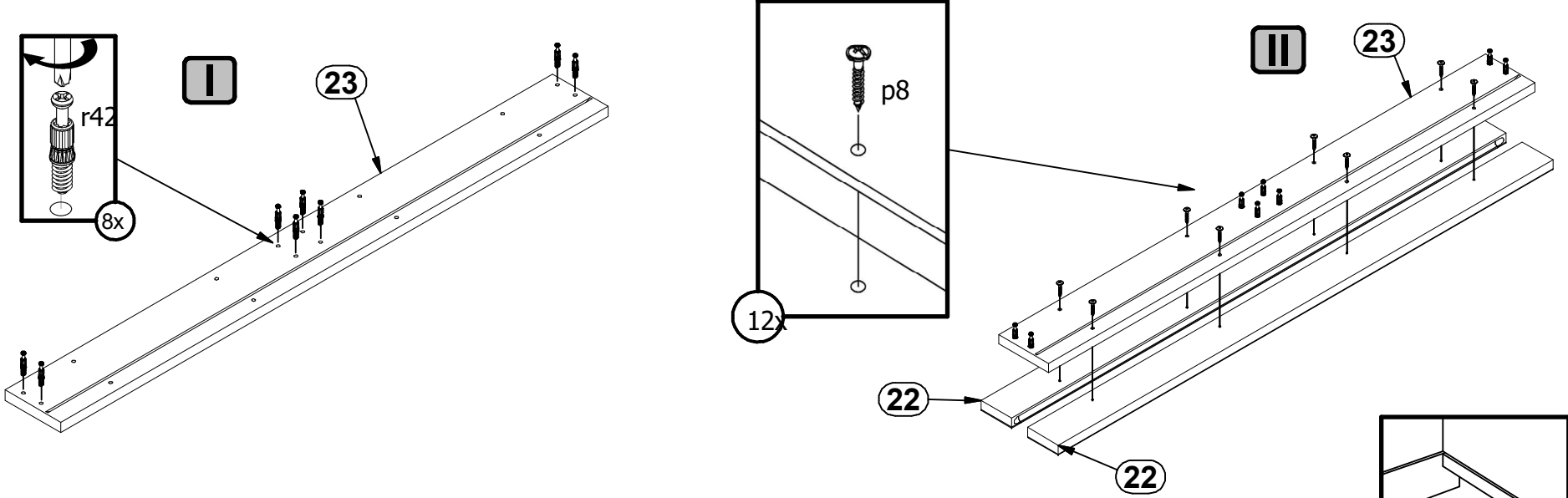


9



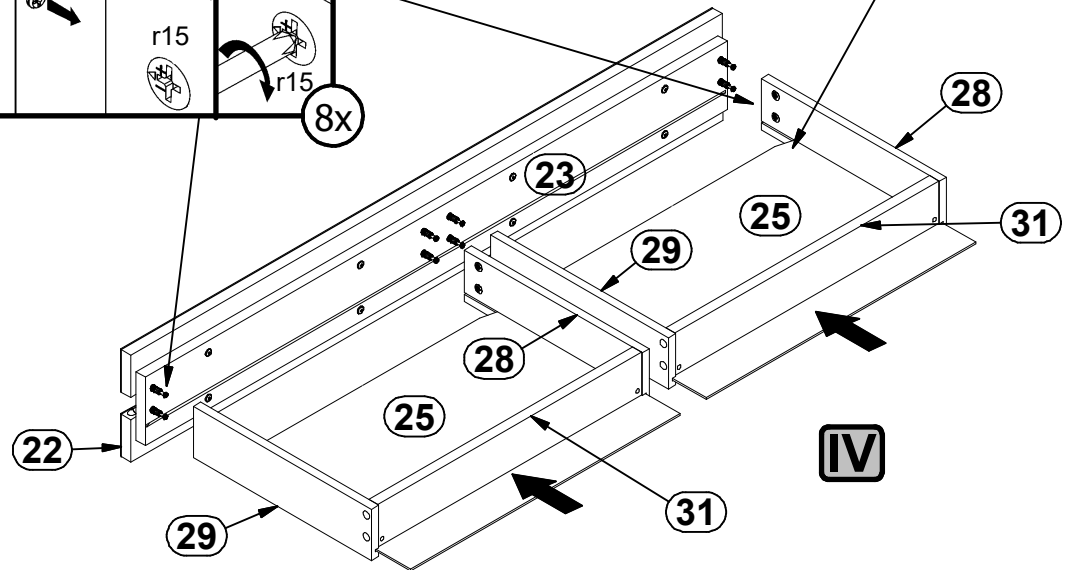
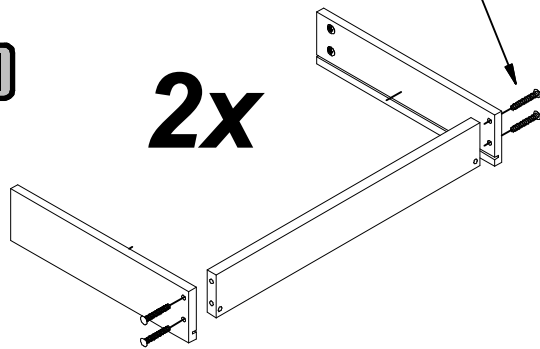


14



III

2x



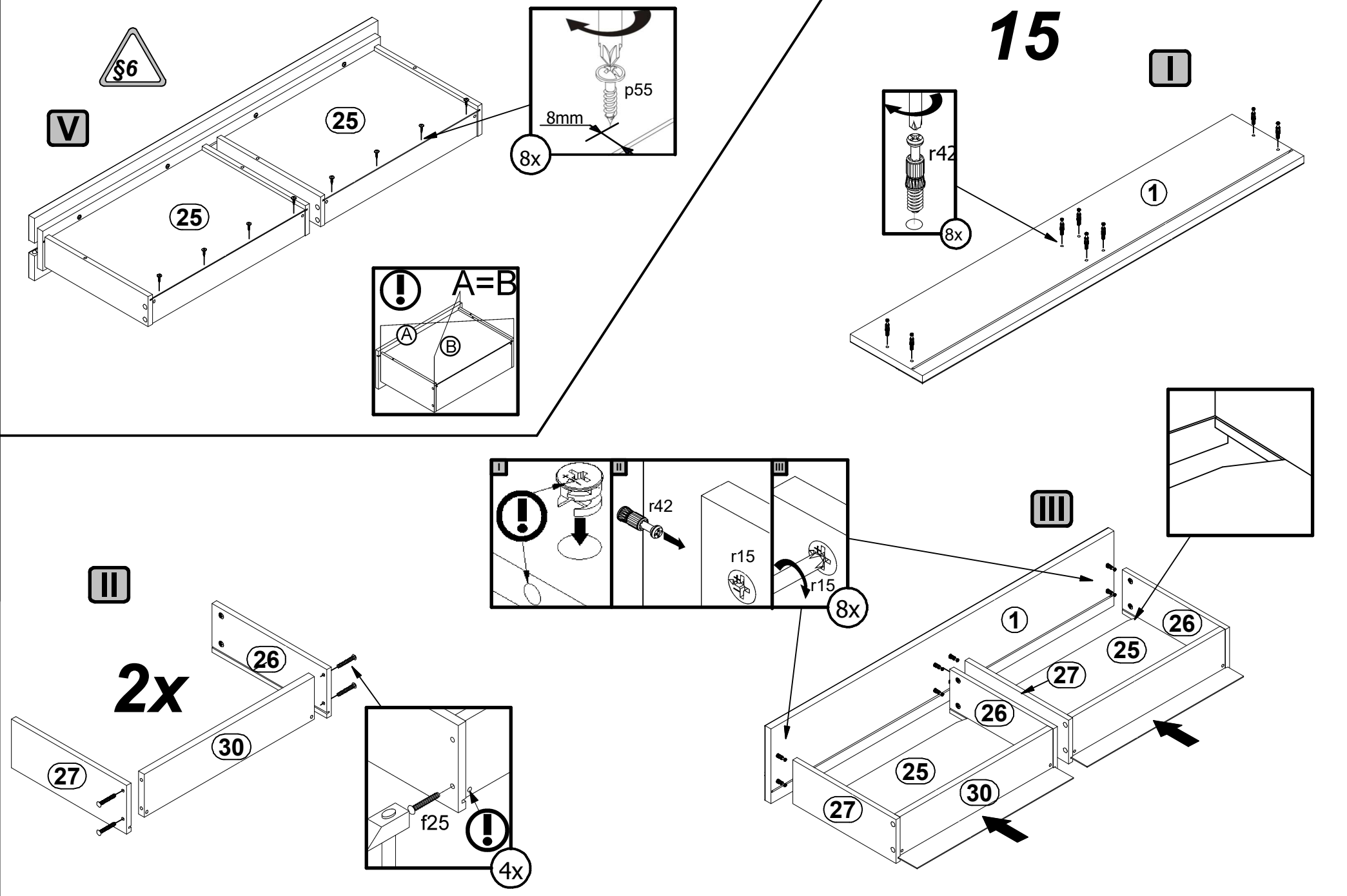
IV

A

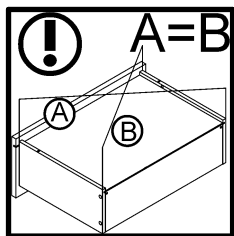
S551-RTV2D2S

10M6--31

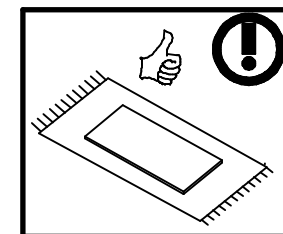
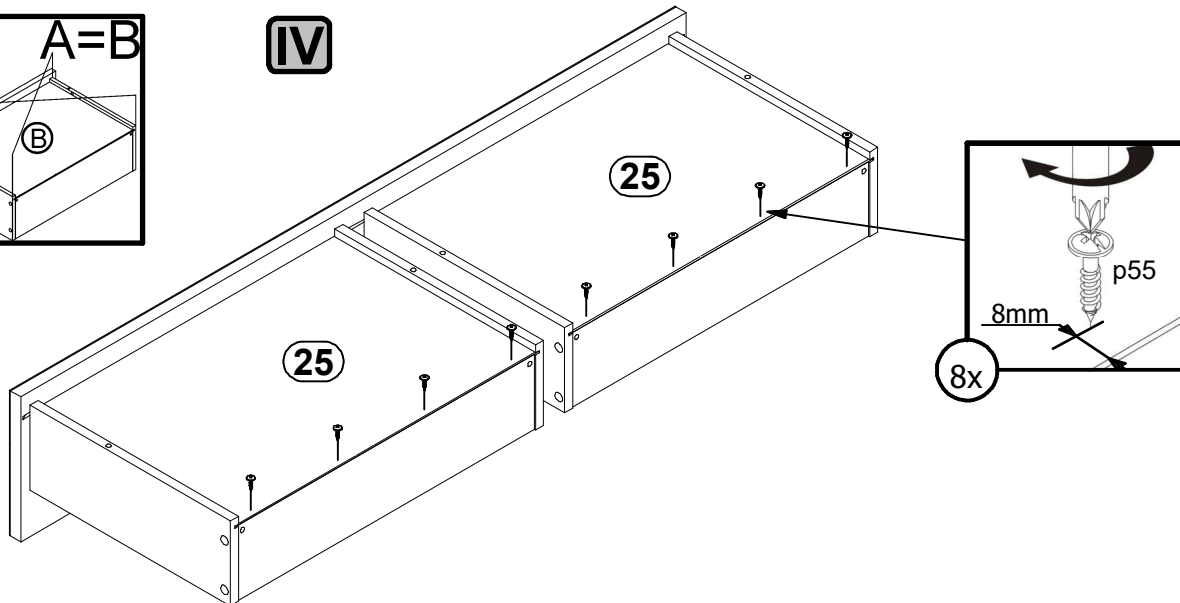
10 / 21



16

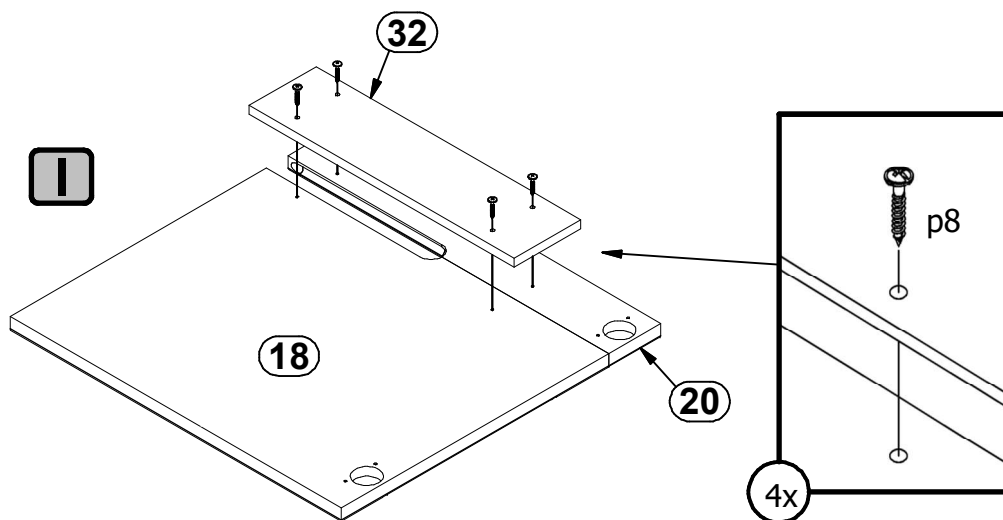


IV

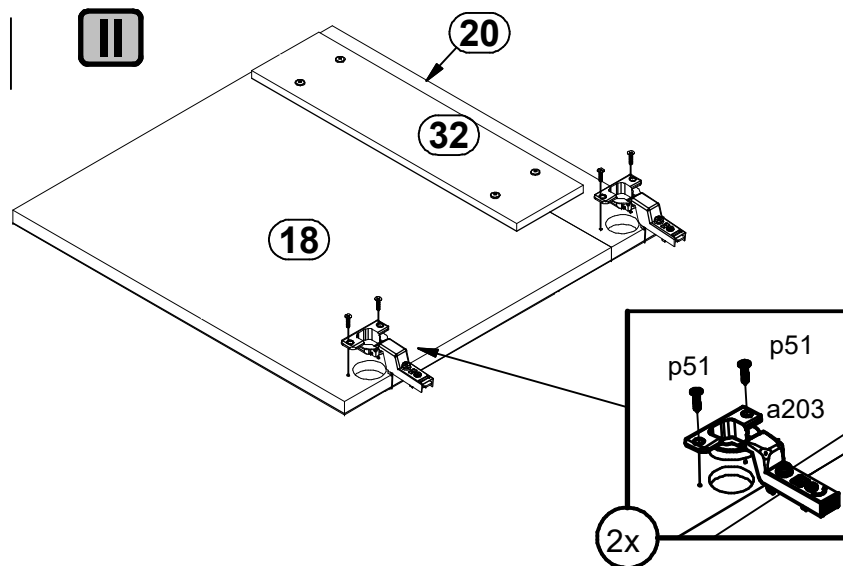


17

I

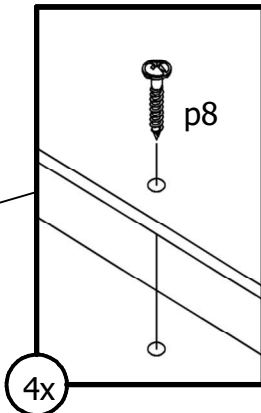
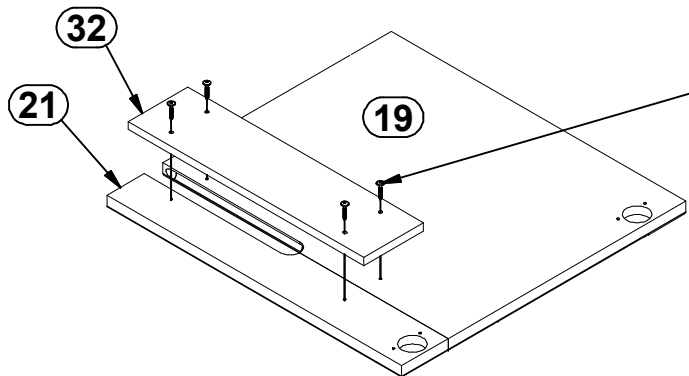


II

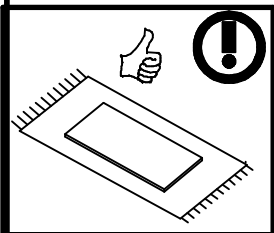
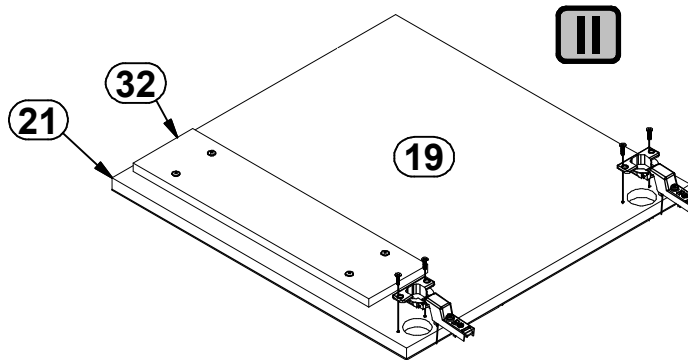


18

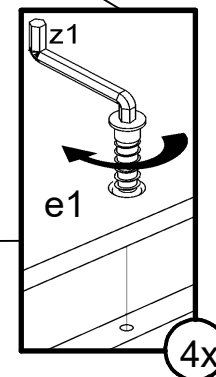
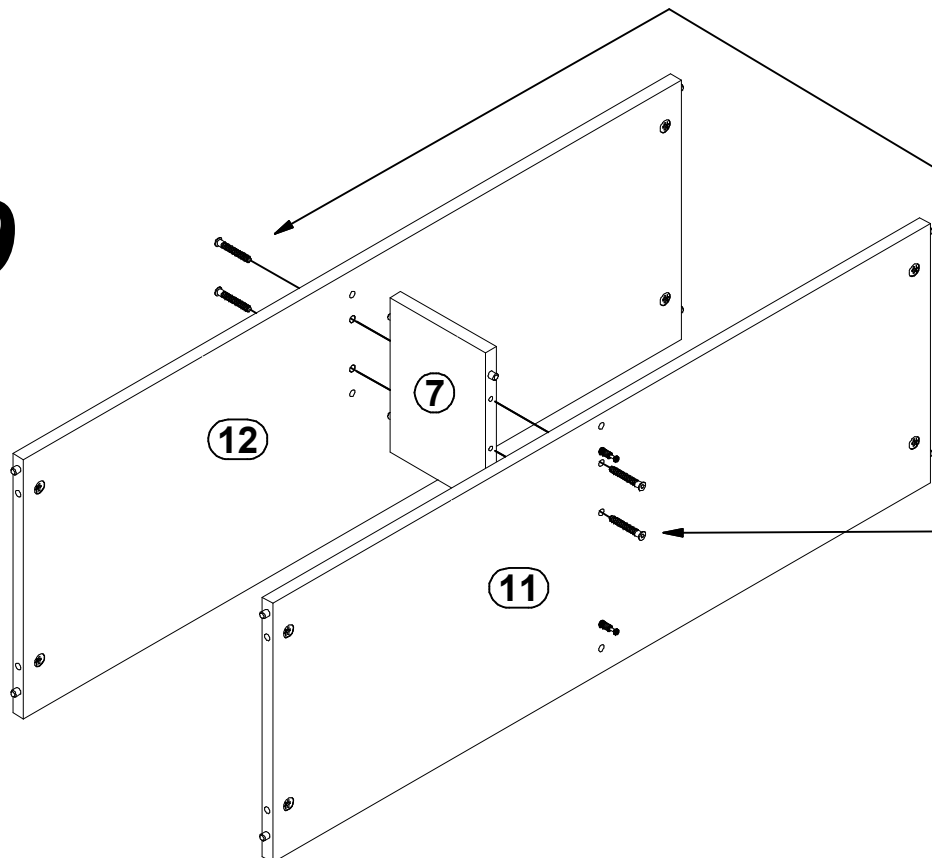
I



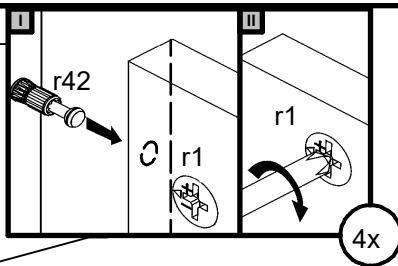
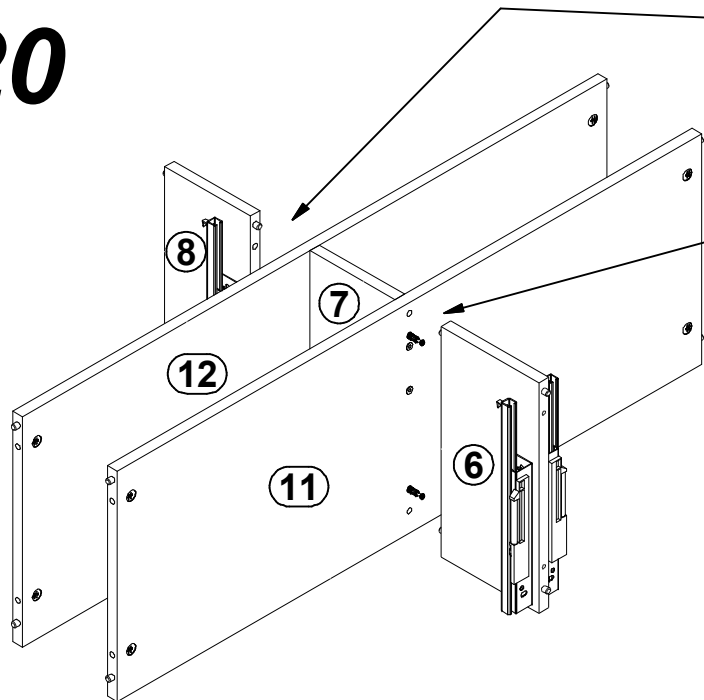
II



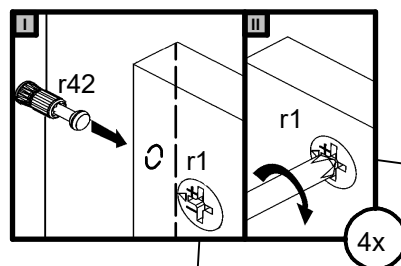
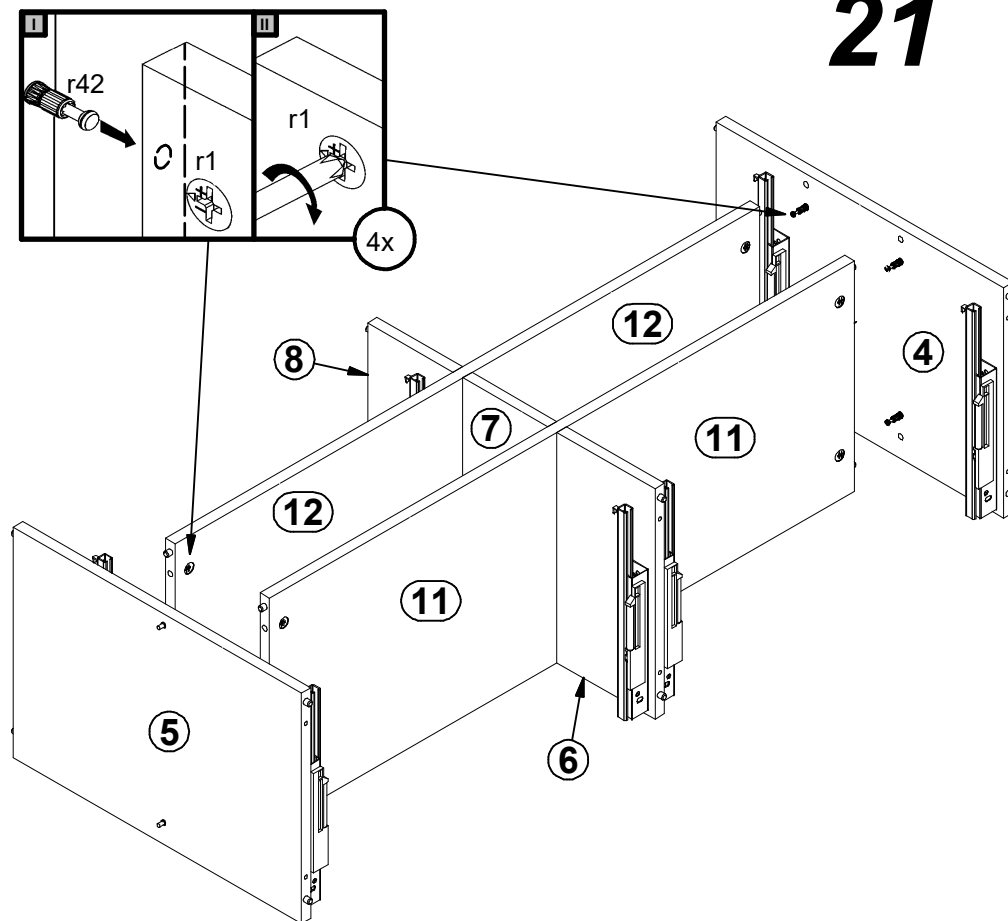
19



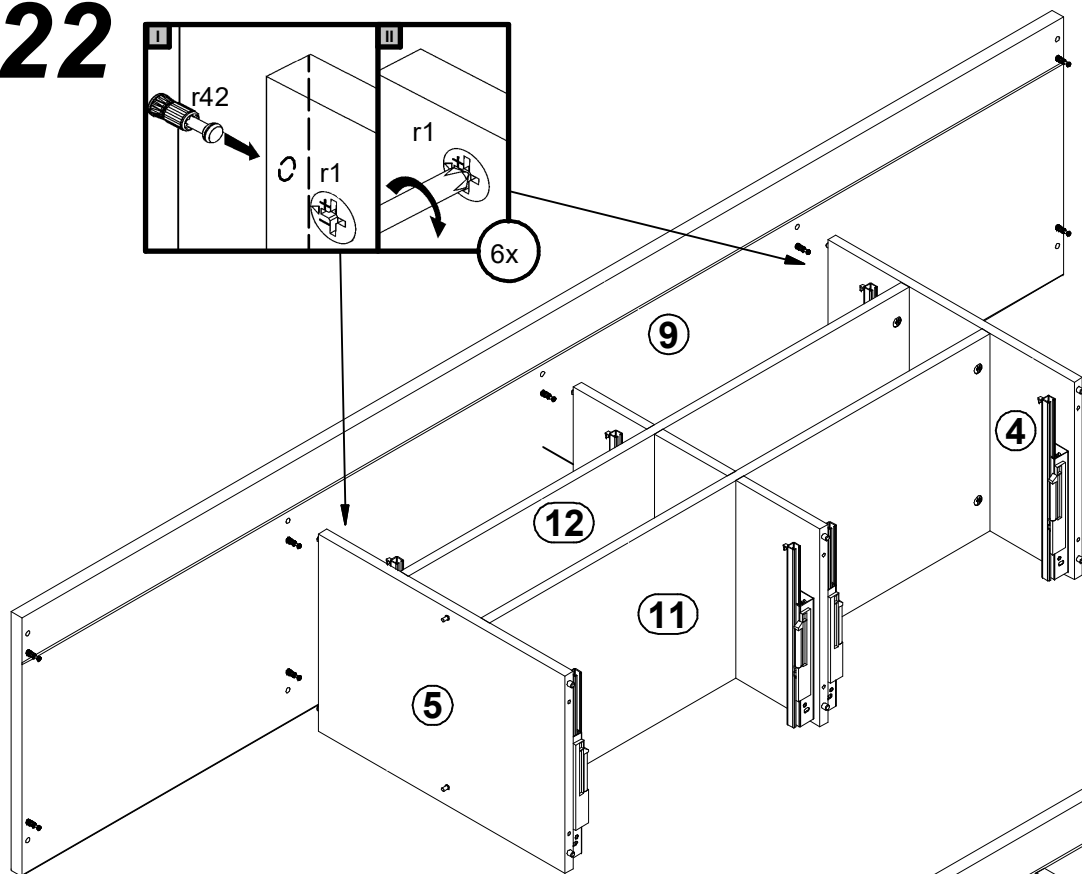
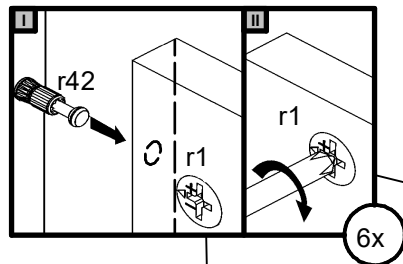
20



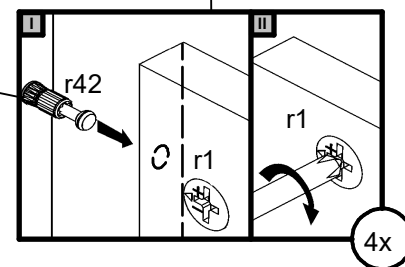
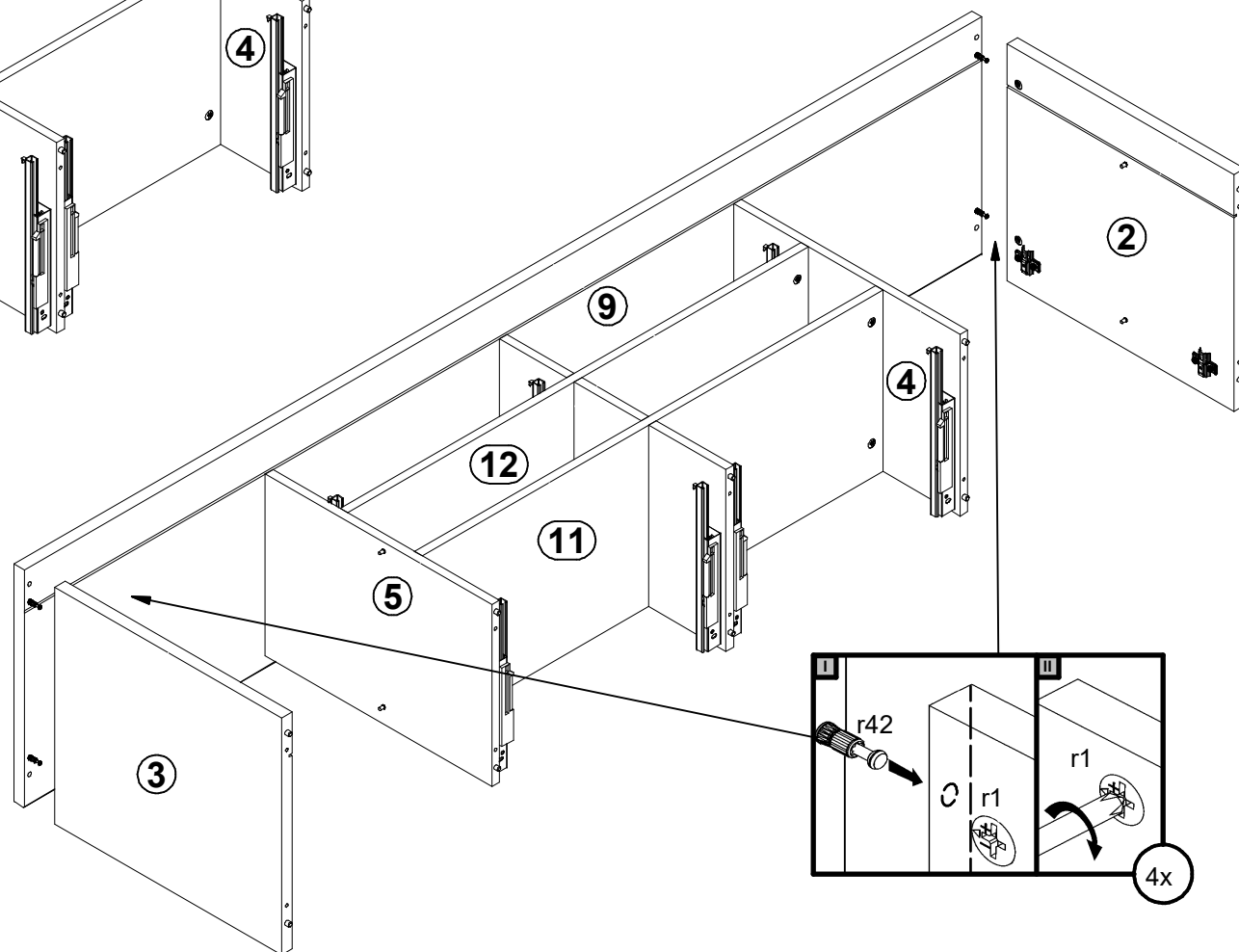
21



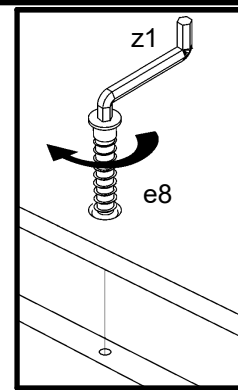
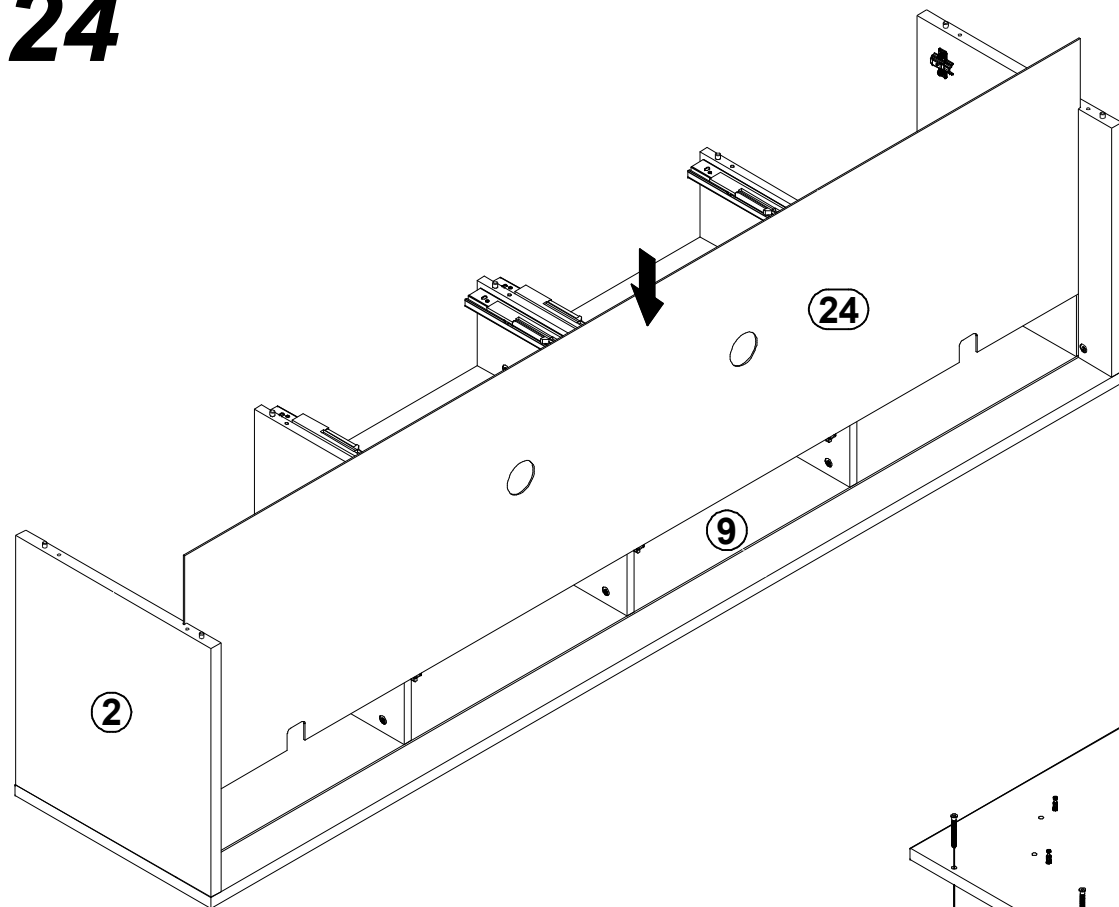
22



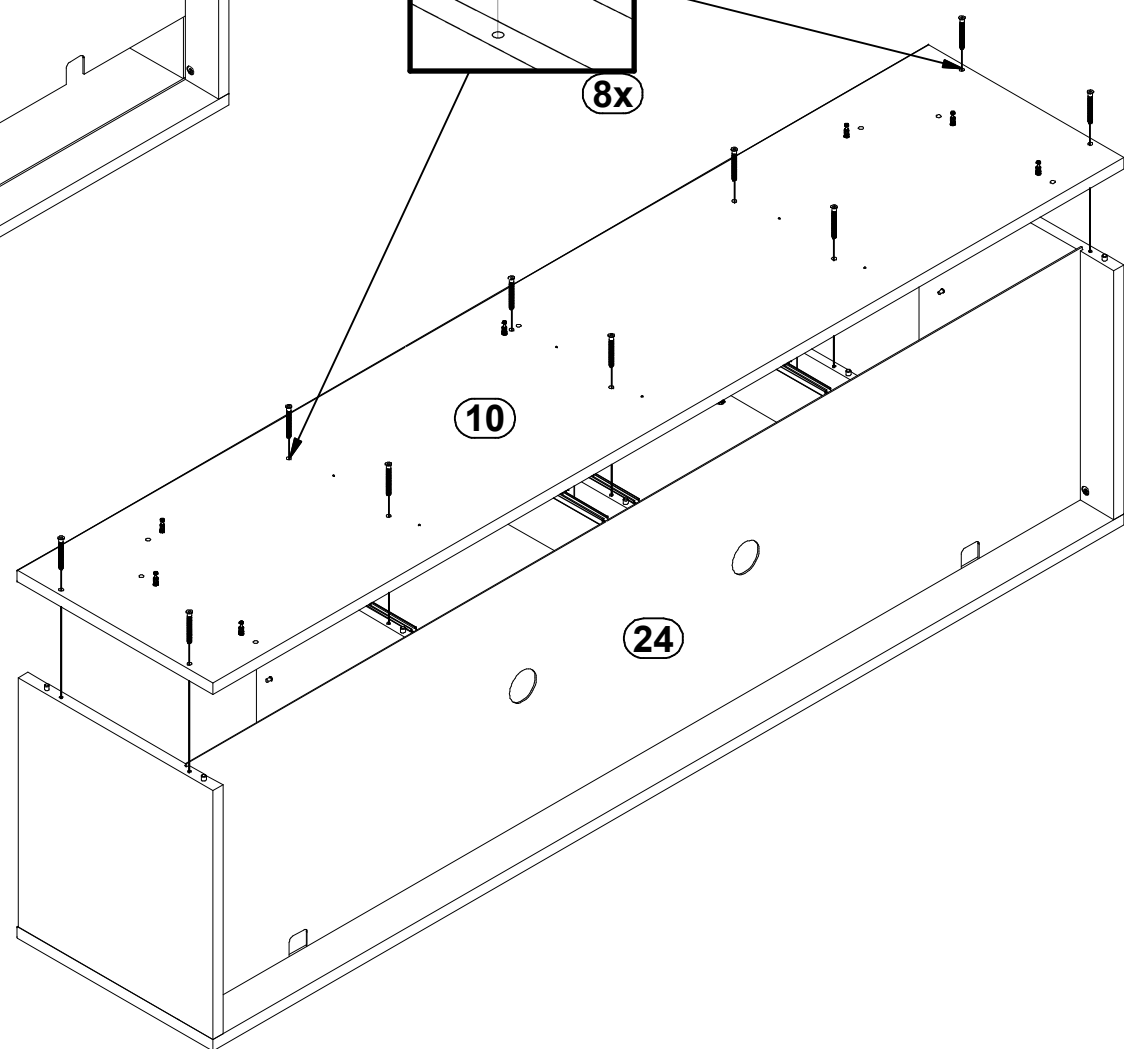
23

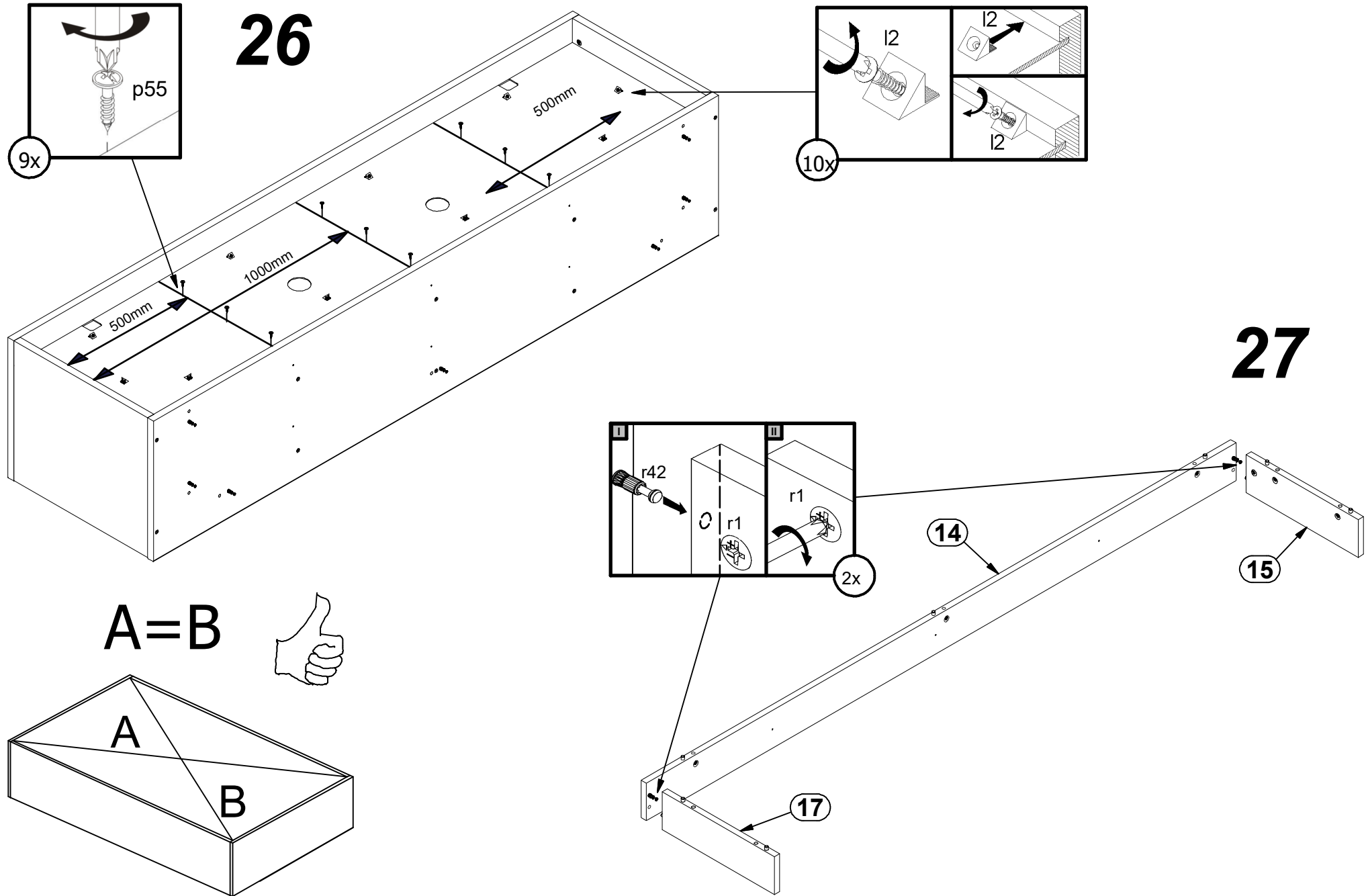


24



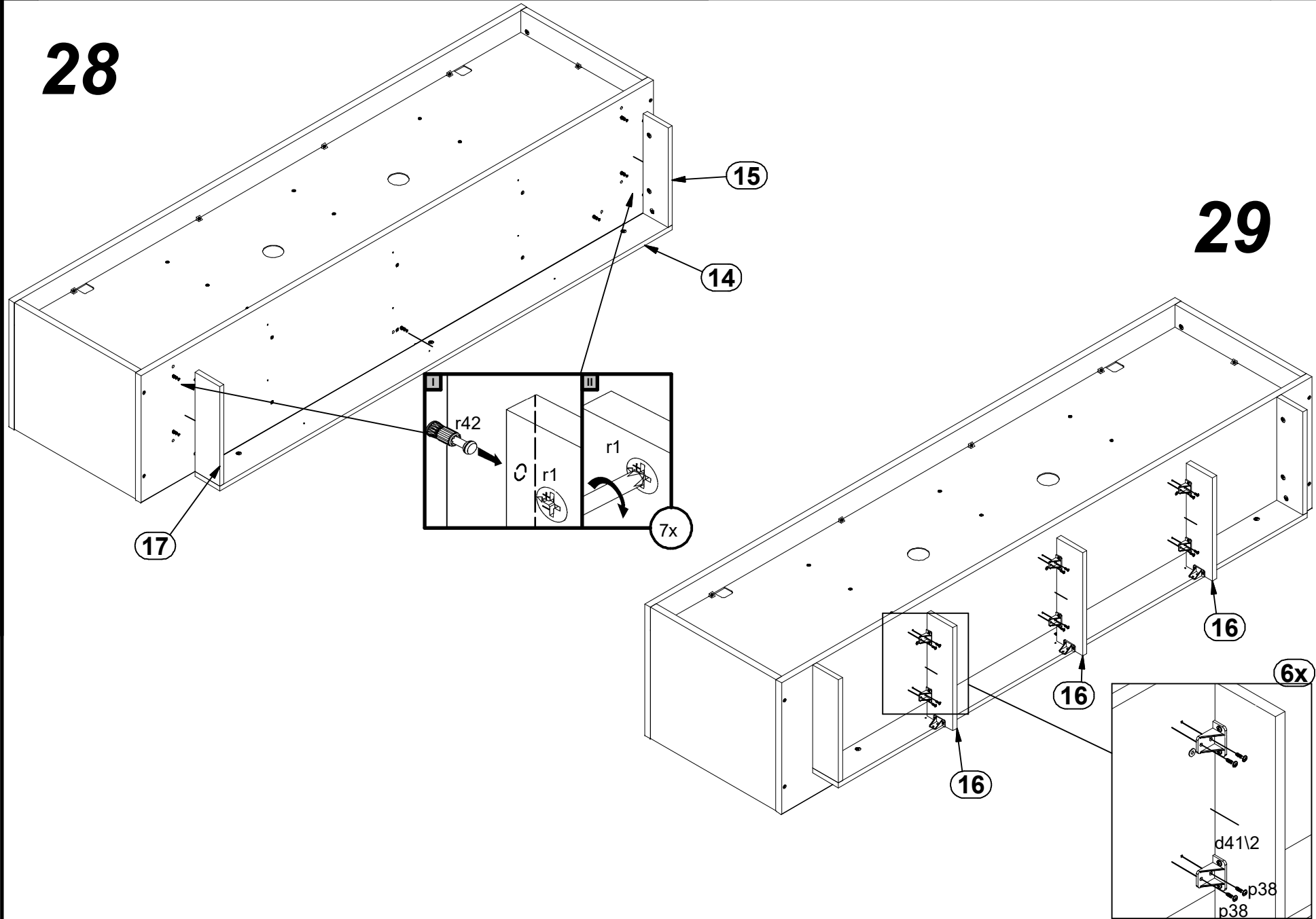
25



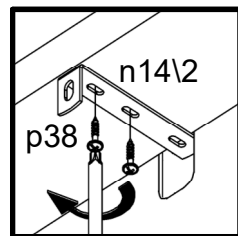
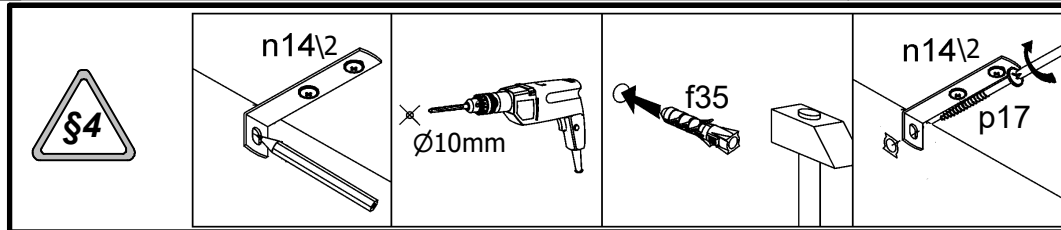
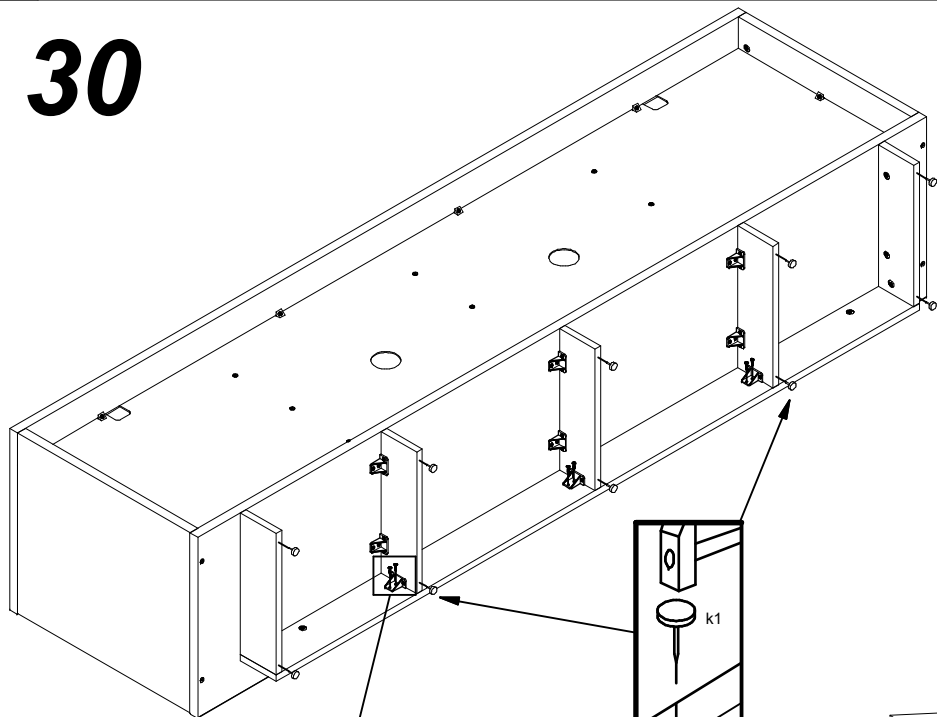


28

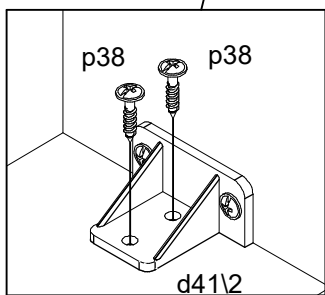
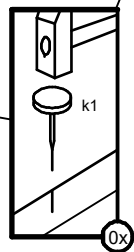
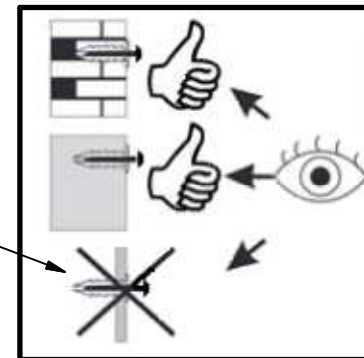
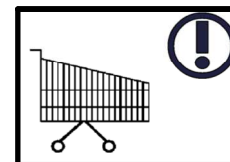
29



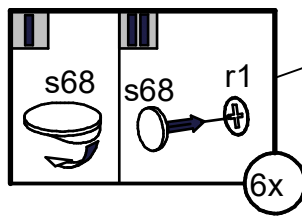
30



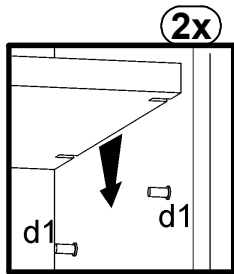
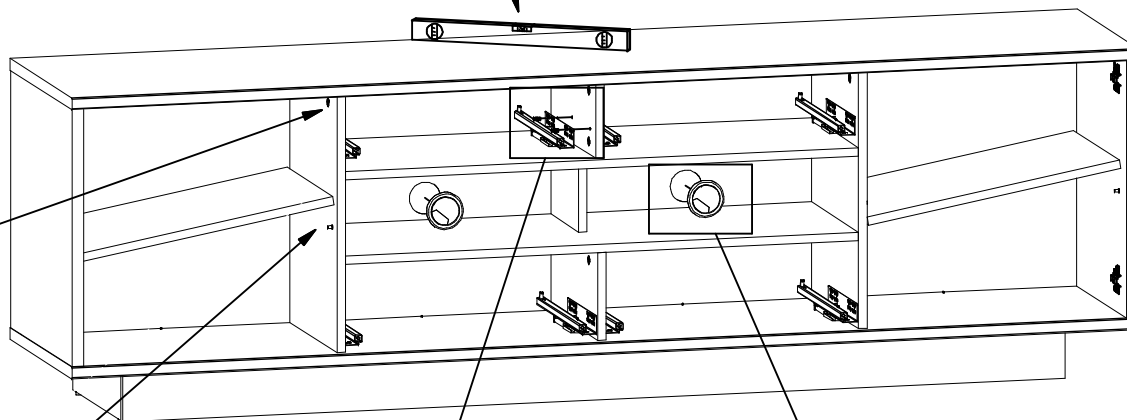
31



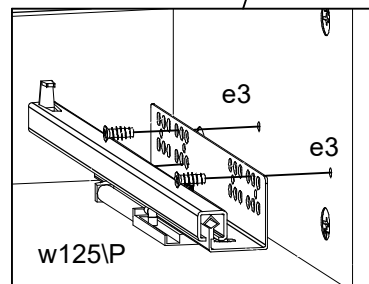
3x



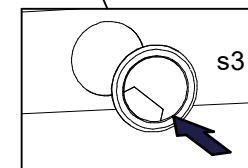
6x



2x

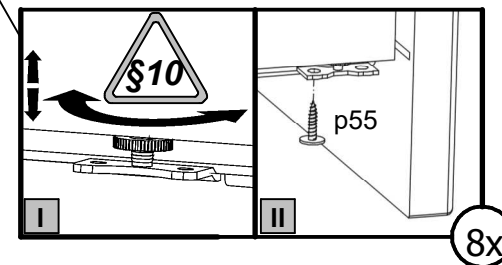
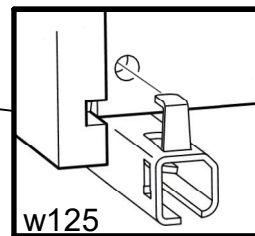
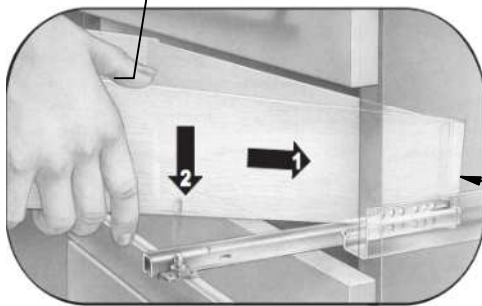
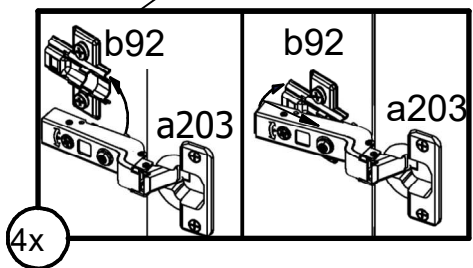
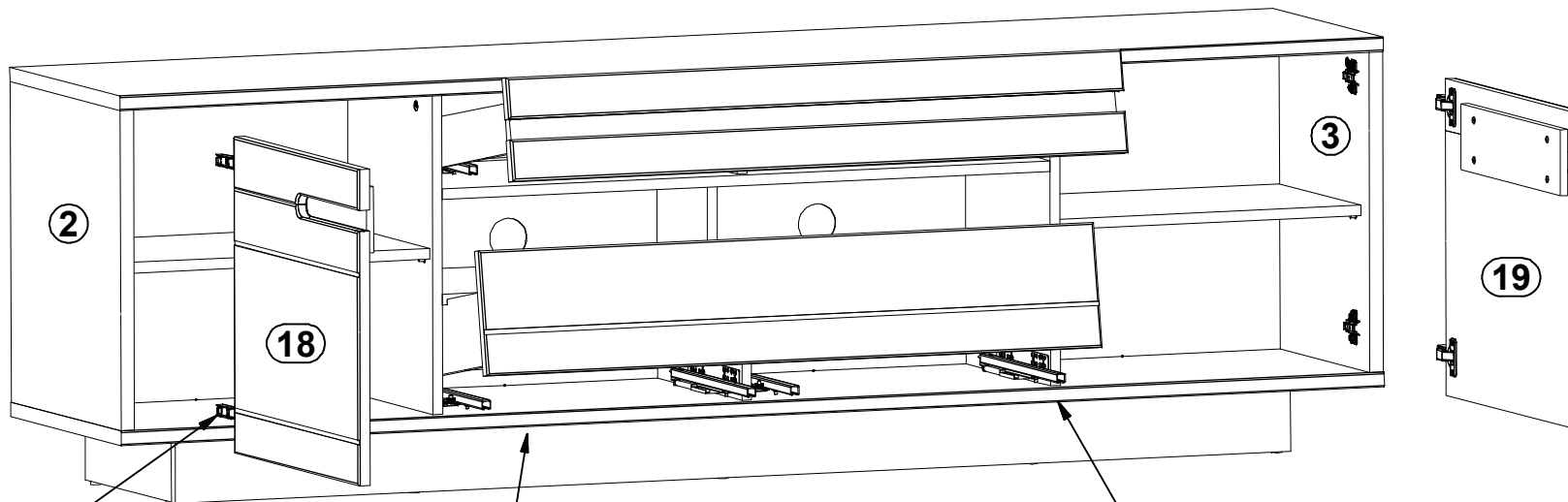


1x

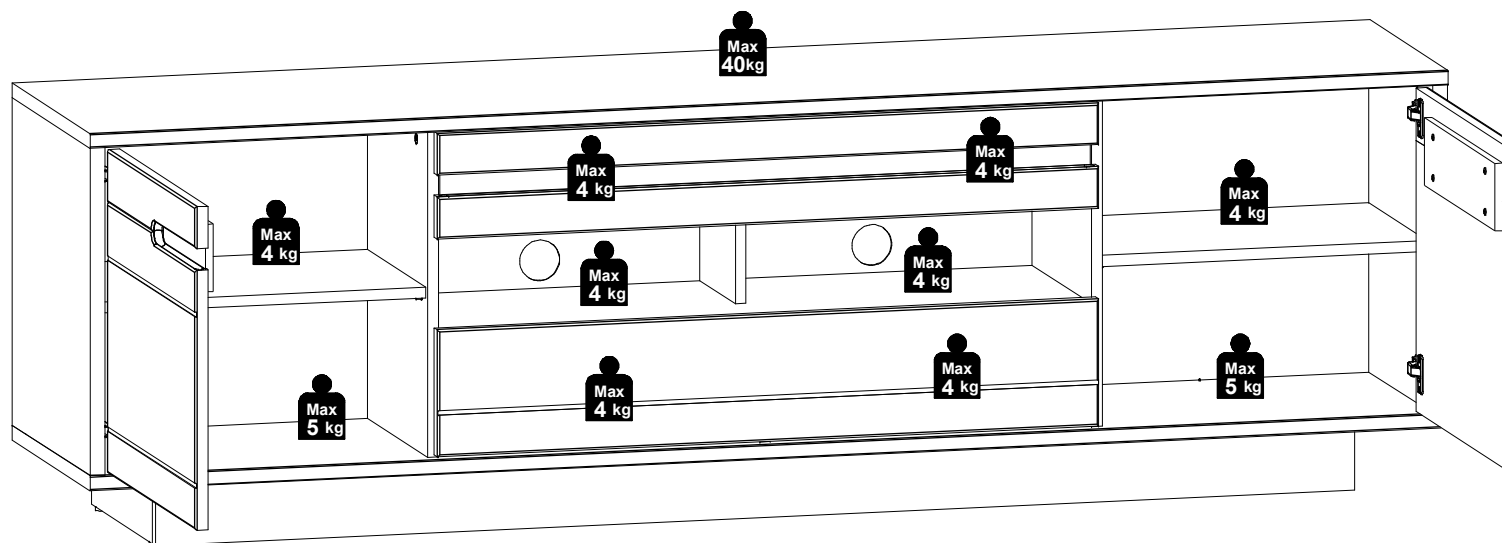
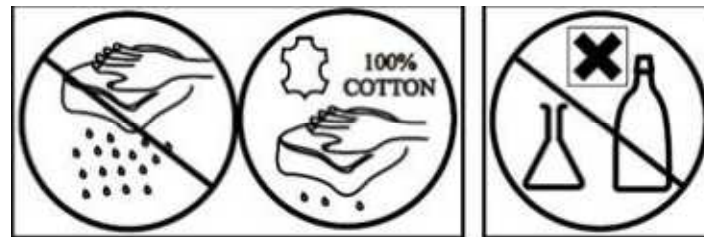


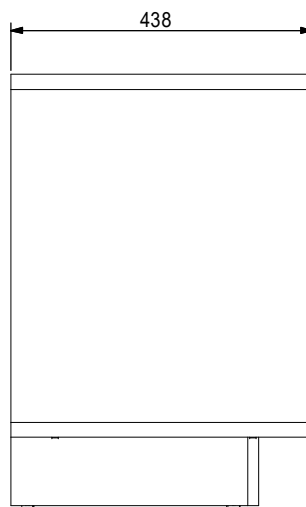
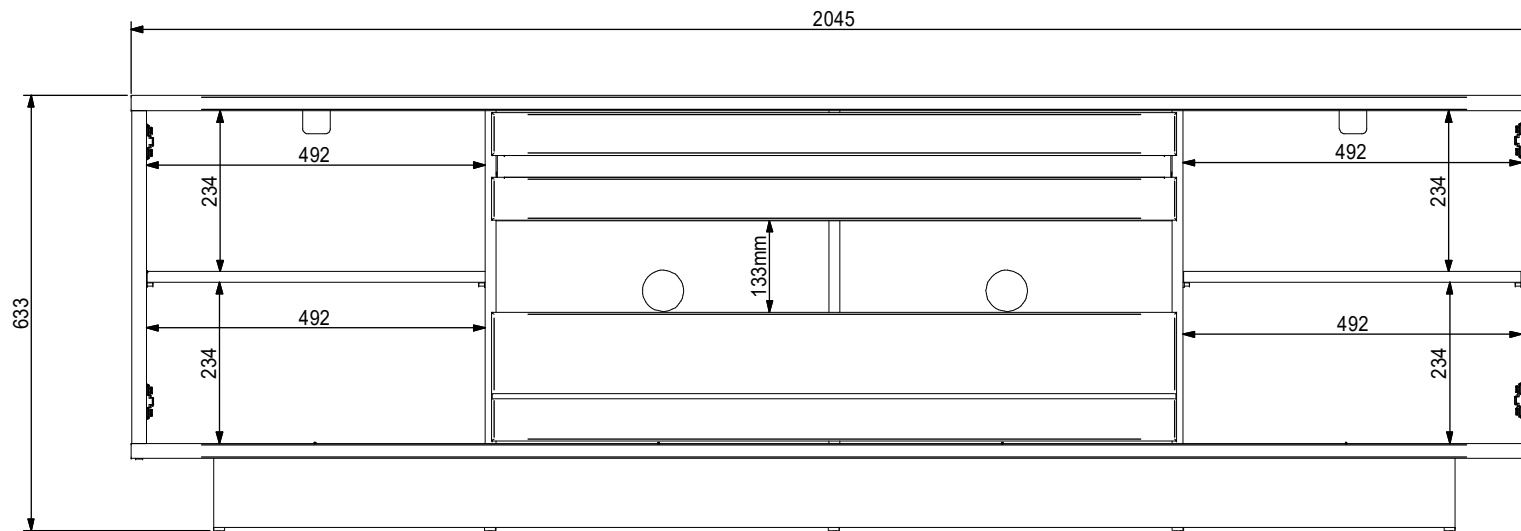
2x

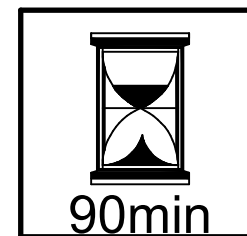
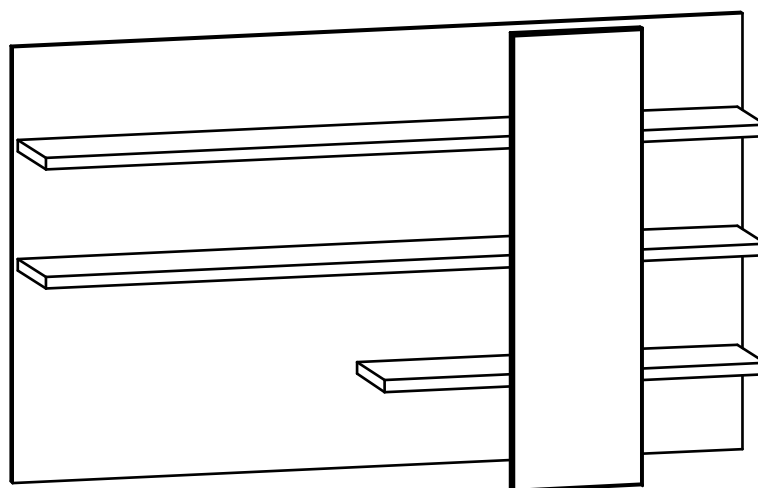
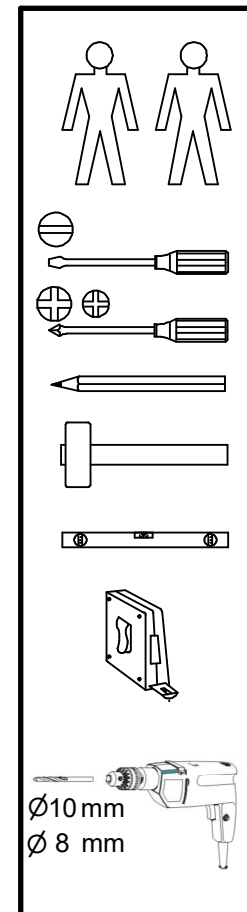
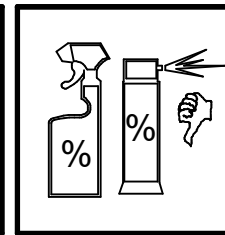
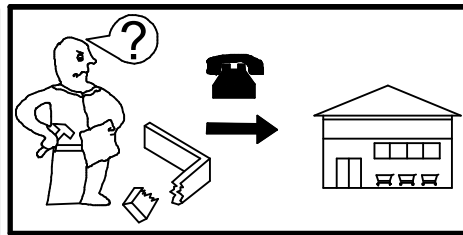
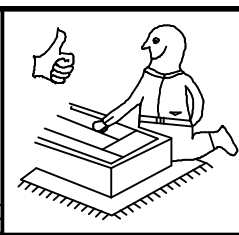
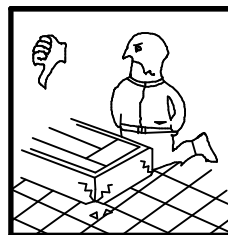
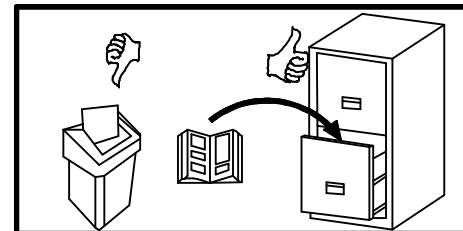
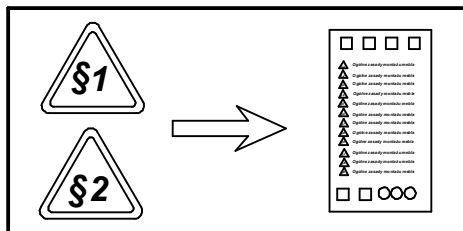
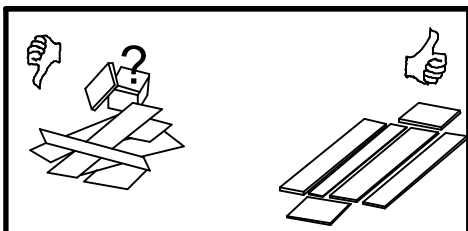
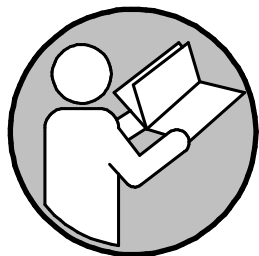
32

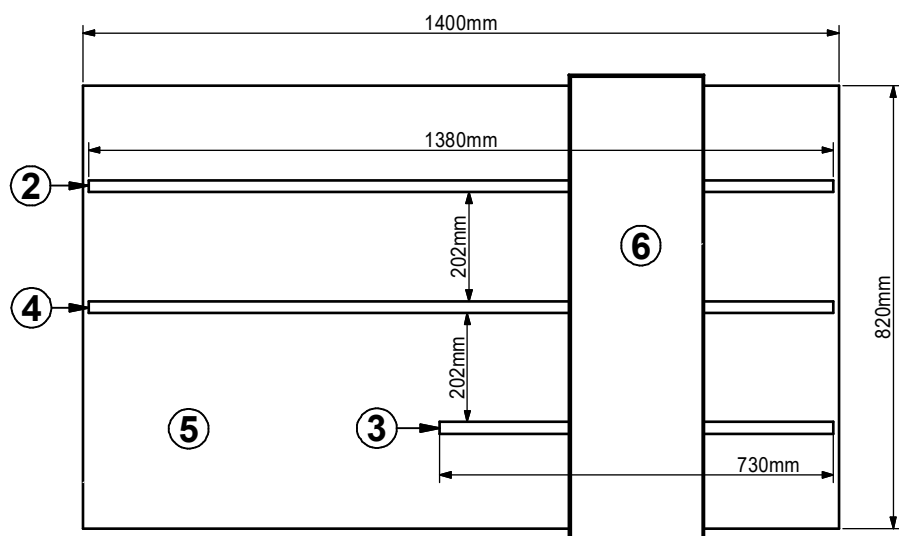
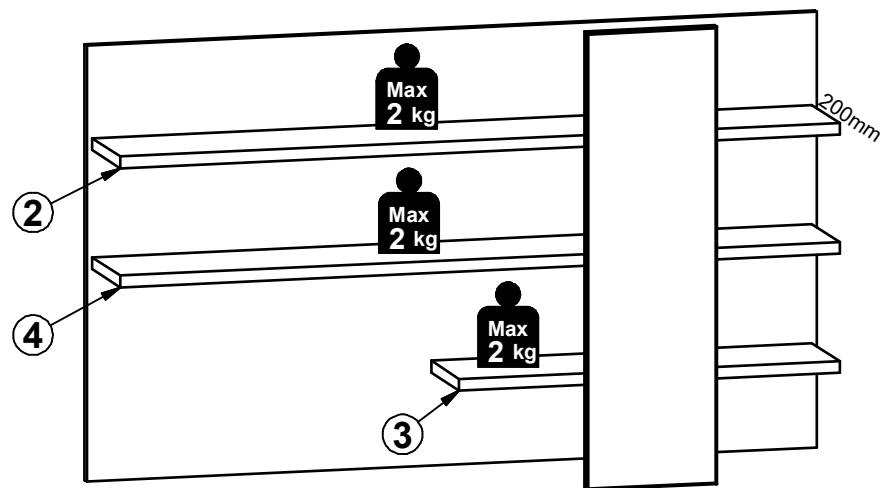


33

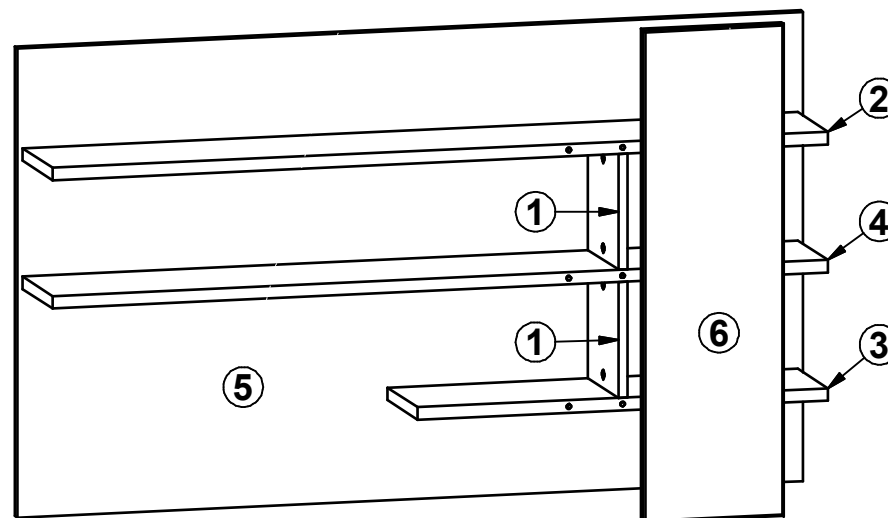








A	B	C1	C2	C3	D
1	S551-1024	202	200	16	1/1
2	S551-3019	1380	200	22	1/1
3	S551-3020	730	200	22	1/1
4	S551-3021	1380	200	22	1/1
5	S551-4010	1400	820	16	1/1
6	S551-7021	250	860	19	1/1



6x Ø5x11 mm e4	16x Ø7x60 mm e8	19x Ø8x30 mm f1	2x Ø8x50 mm f6	3x g2
4x Ø15x12 mm #16 r1	4x Ø15x15 mm #22 r3	1x r10	6x 20/11 r42	1x Ø14x0.5 mm s59
8x Ø 20mm s68	1x z1	3x Ø10x50 mm f35	3x Ø6x60 mm p75	



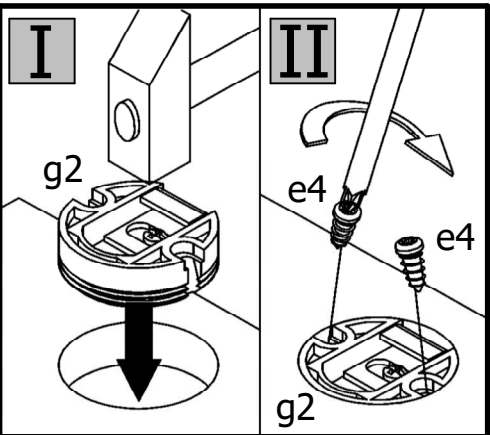
A

S551-PAN

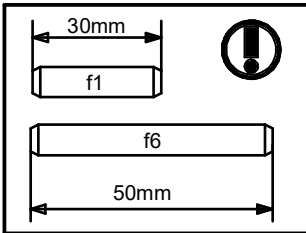
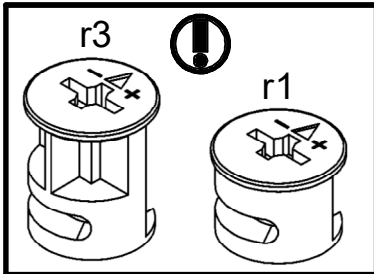
10M6--42

3 / 8

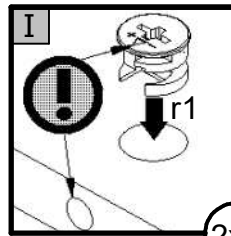
1



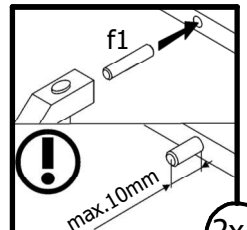
3x



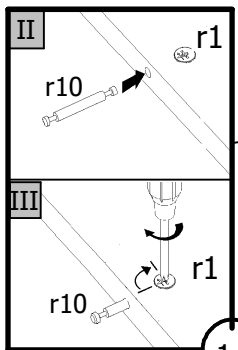
2



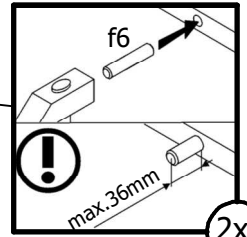
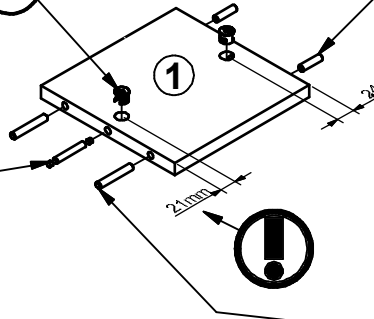
2x



2x

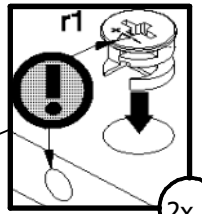


1x

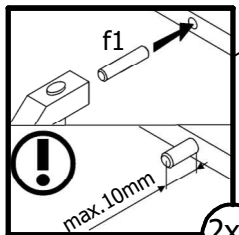


2x

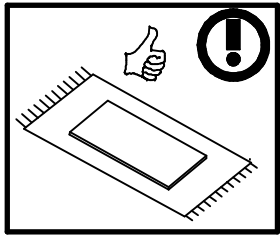
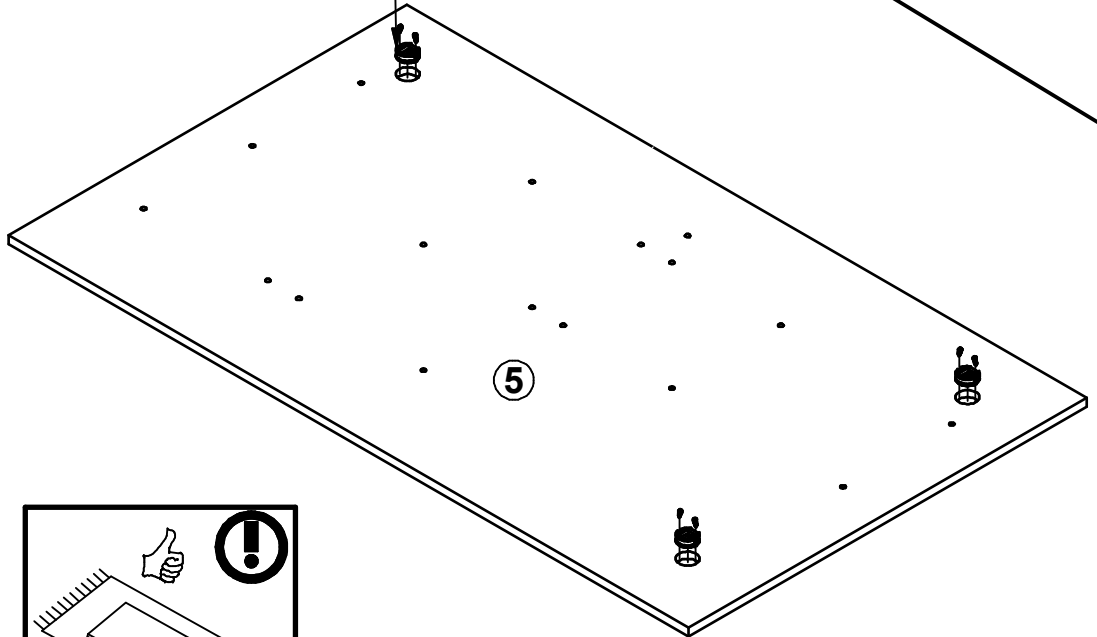
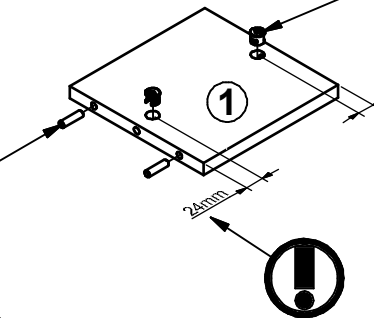
3

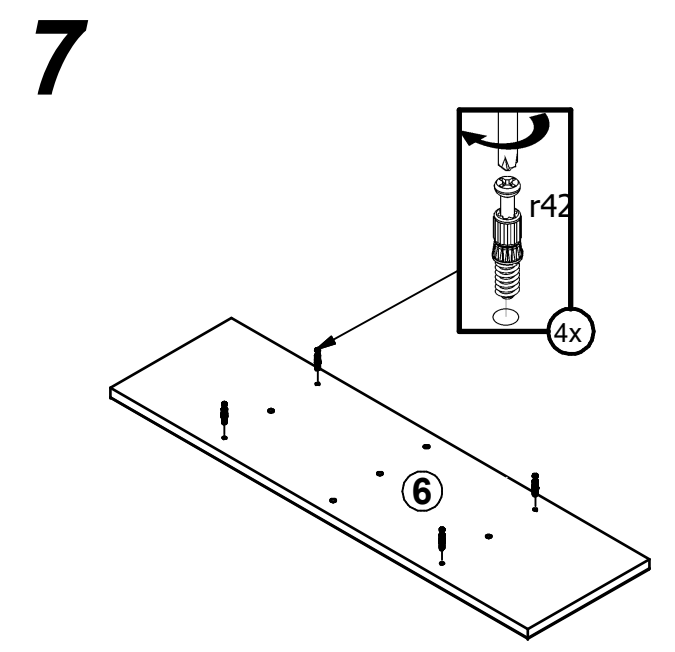
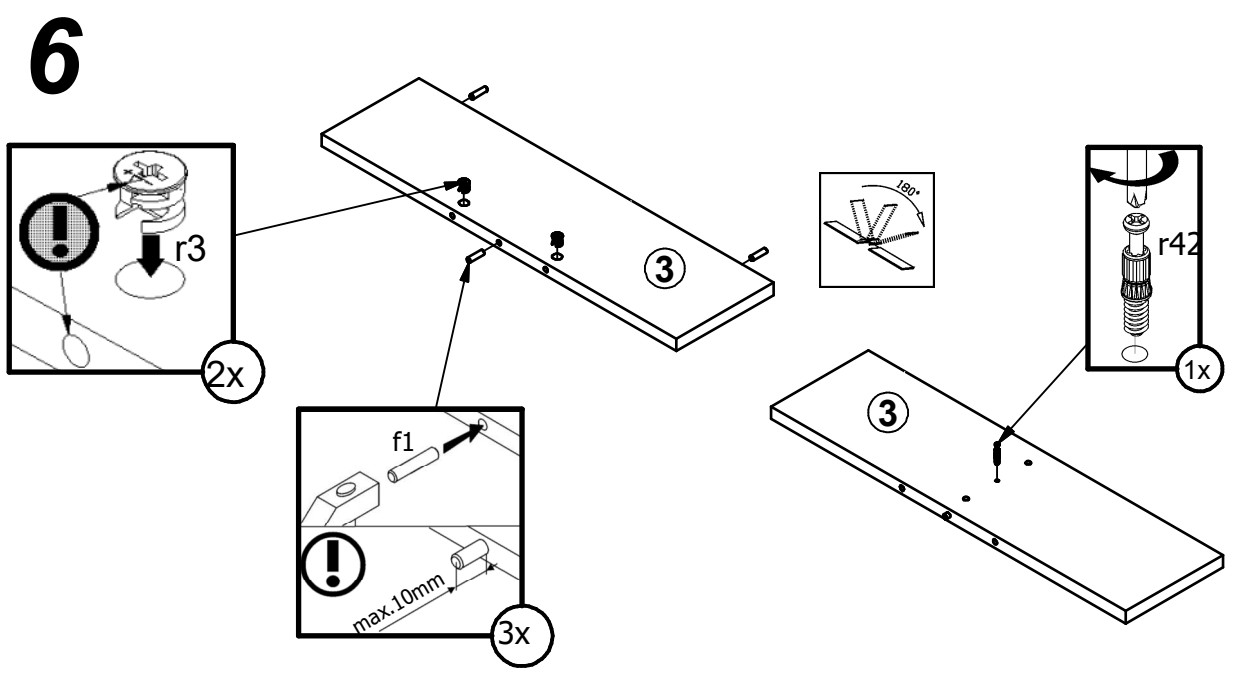
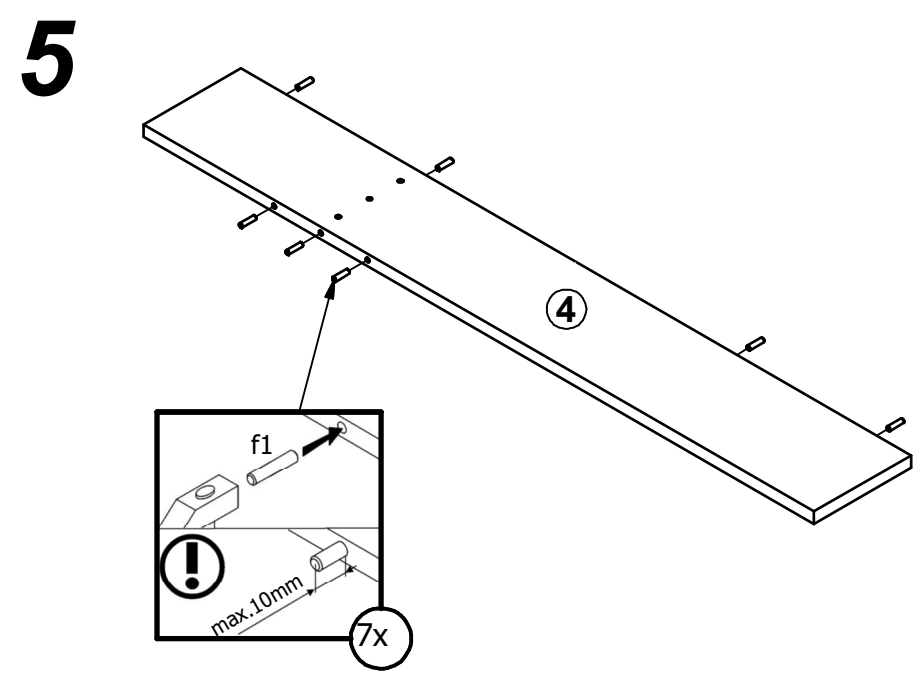
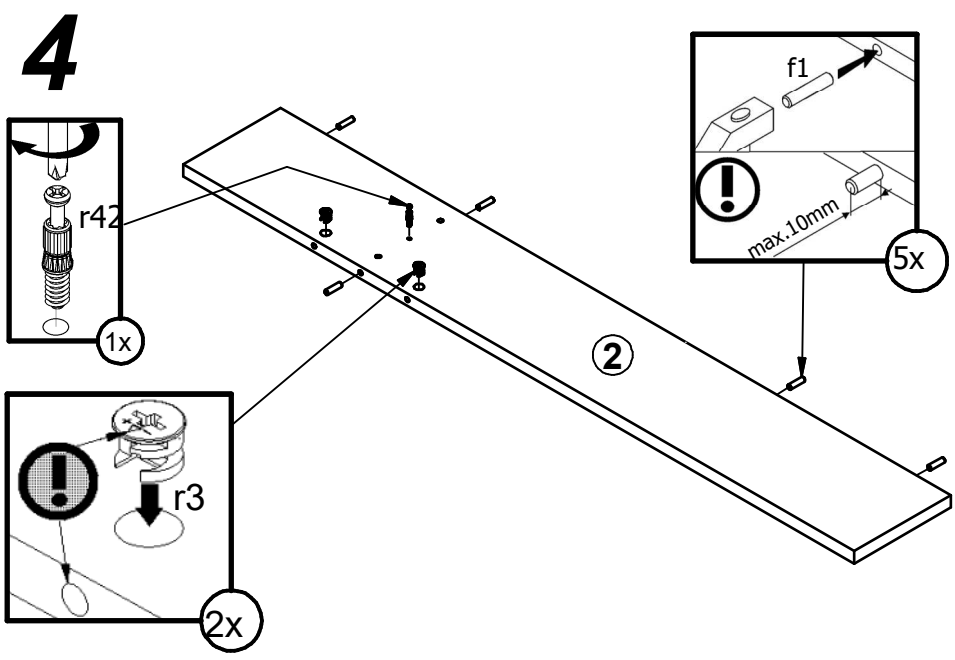


2x

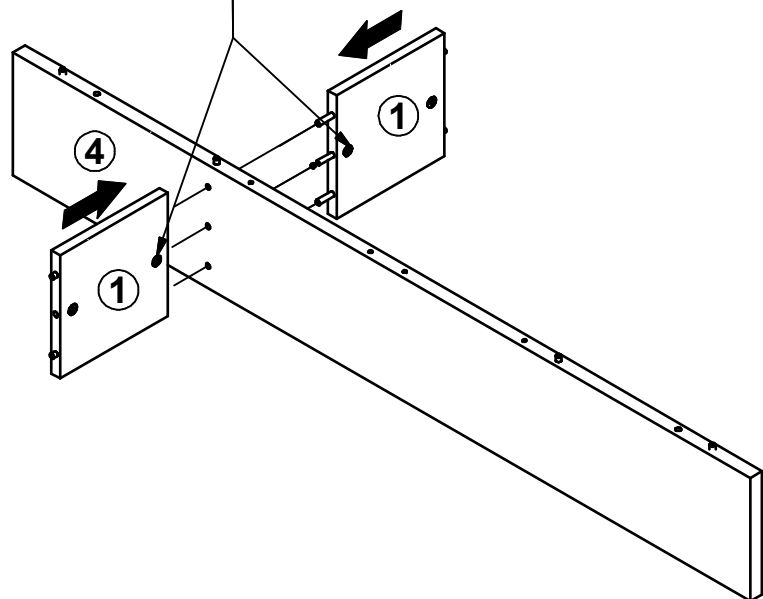
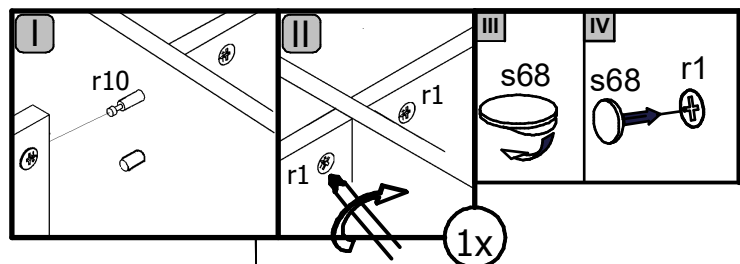


2x

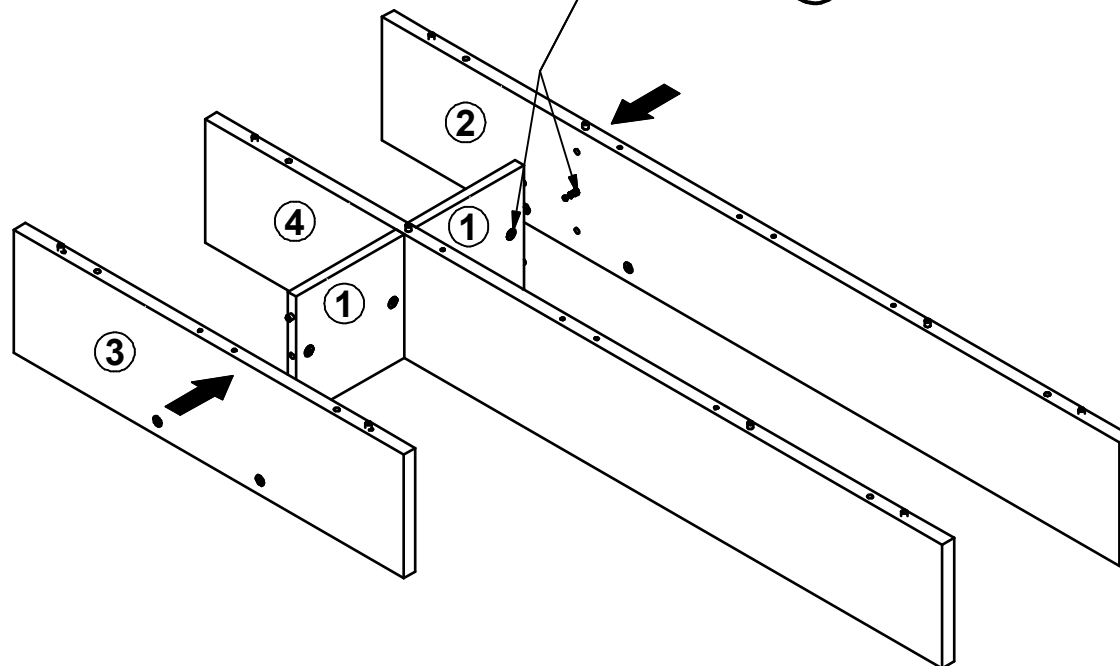
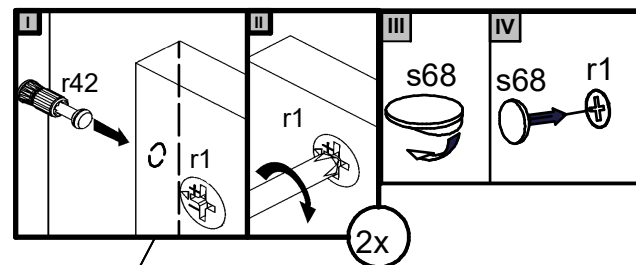




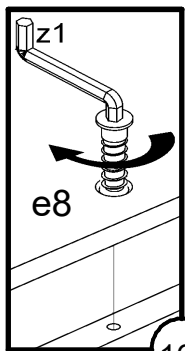
8



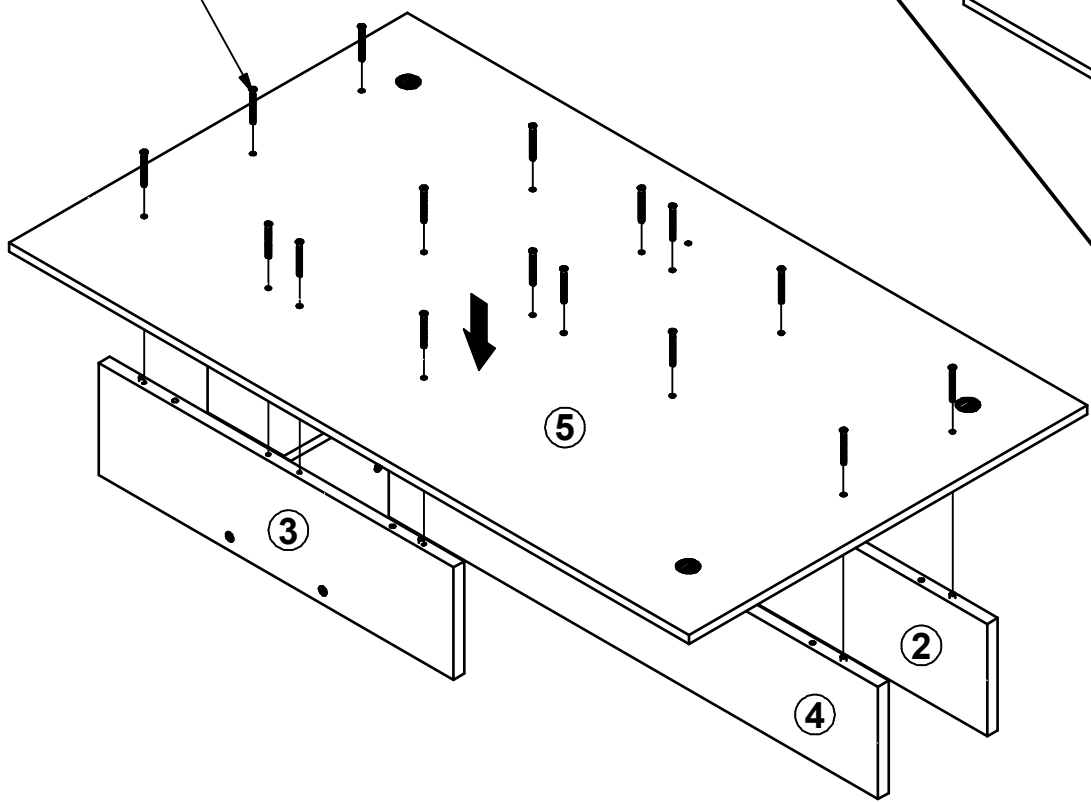
9



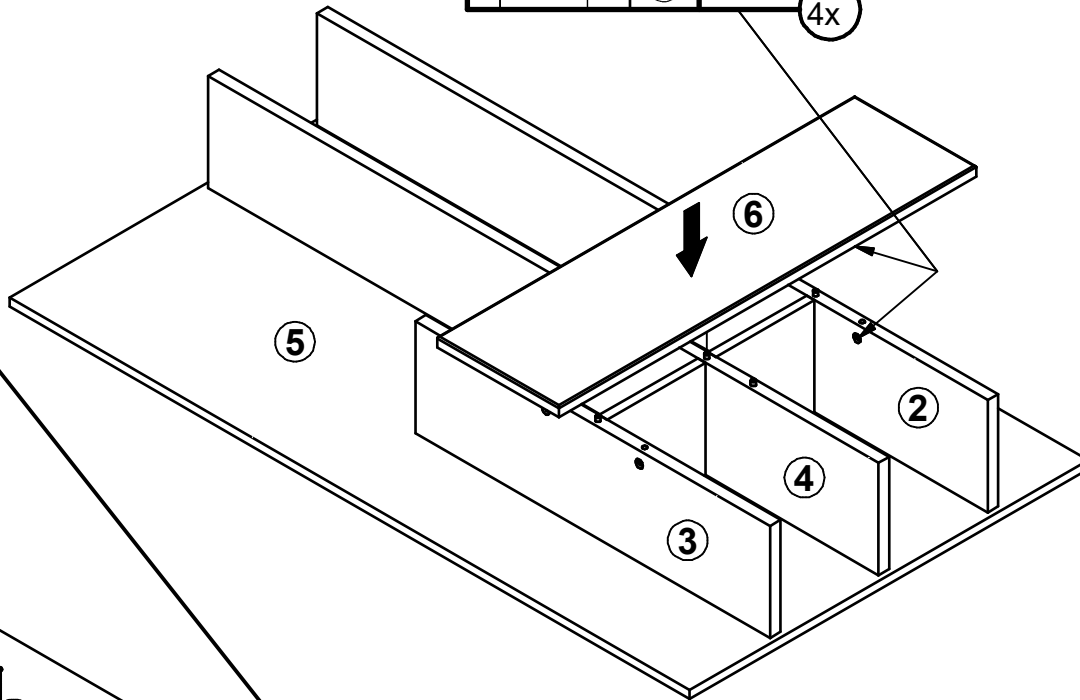
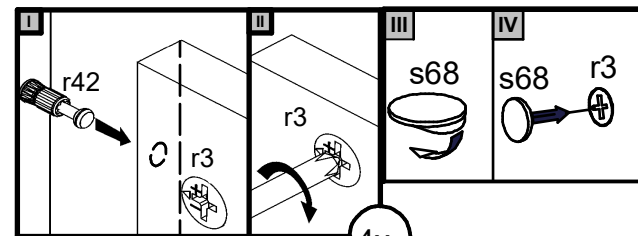
10



16x



11

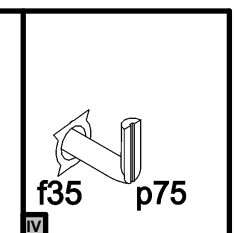
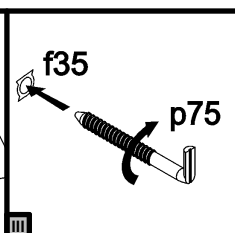
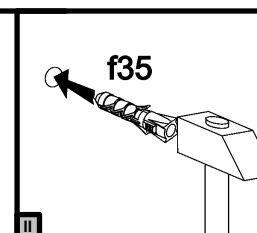
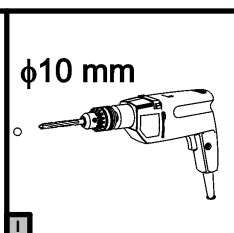
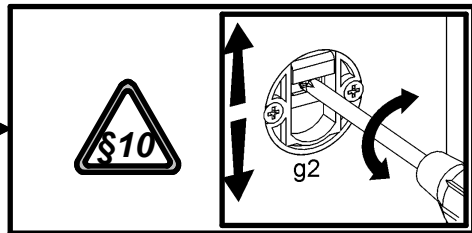
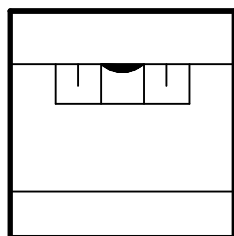


A

S551-PAN

10M6--42

7 / 8



12

