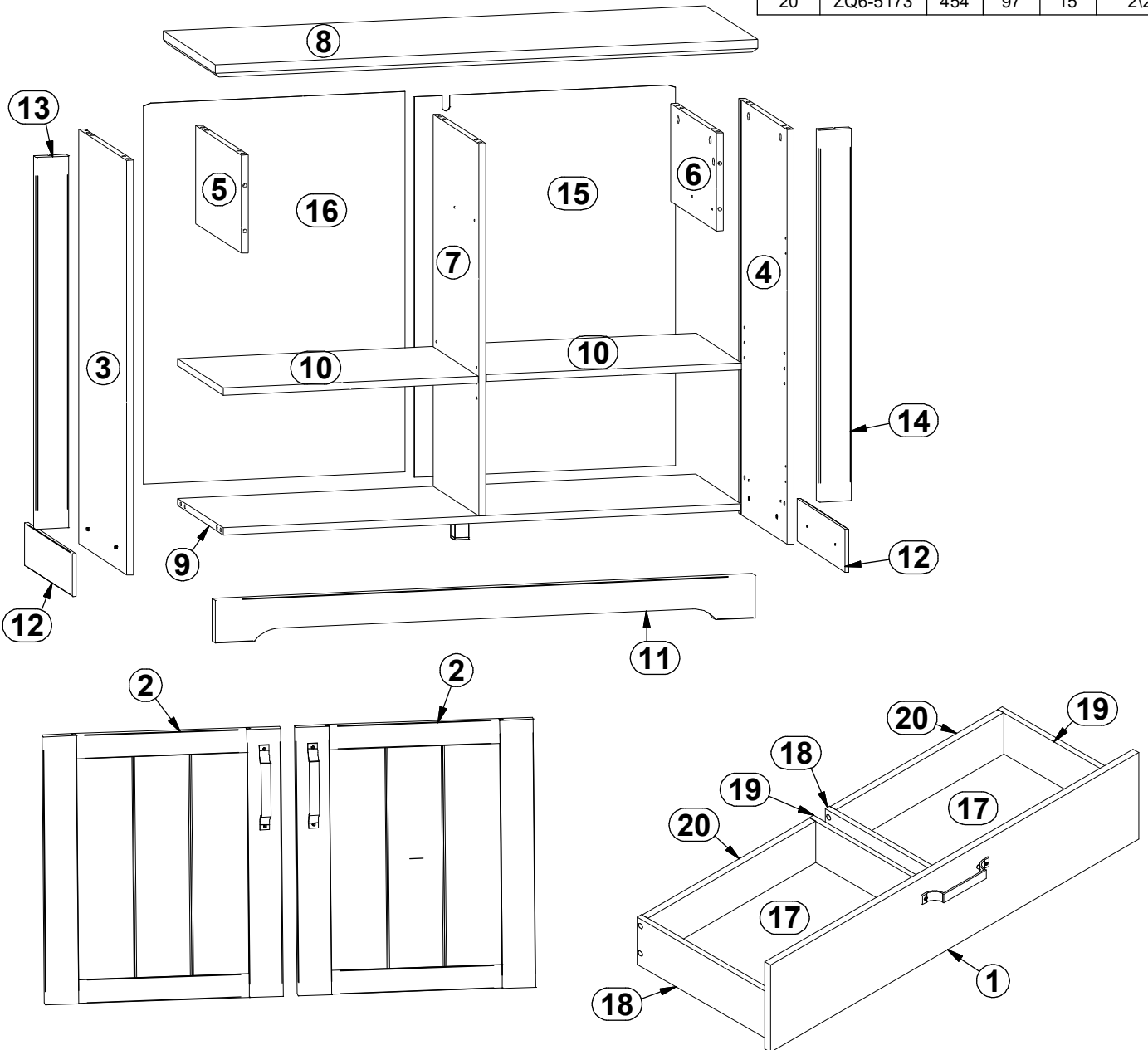
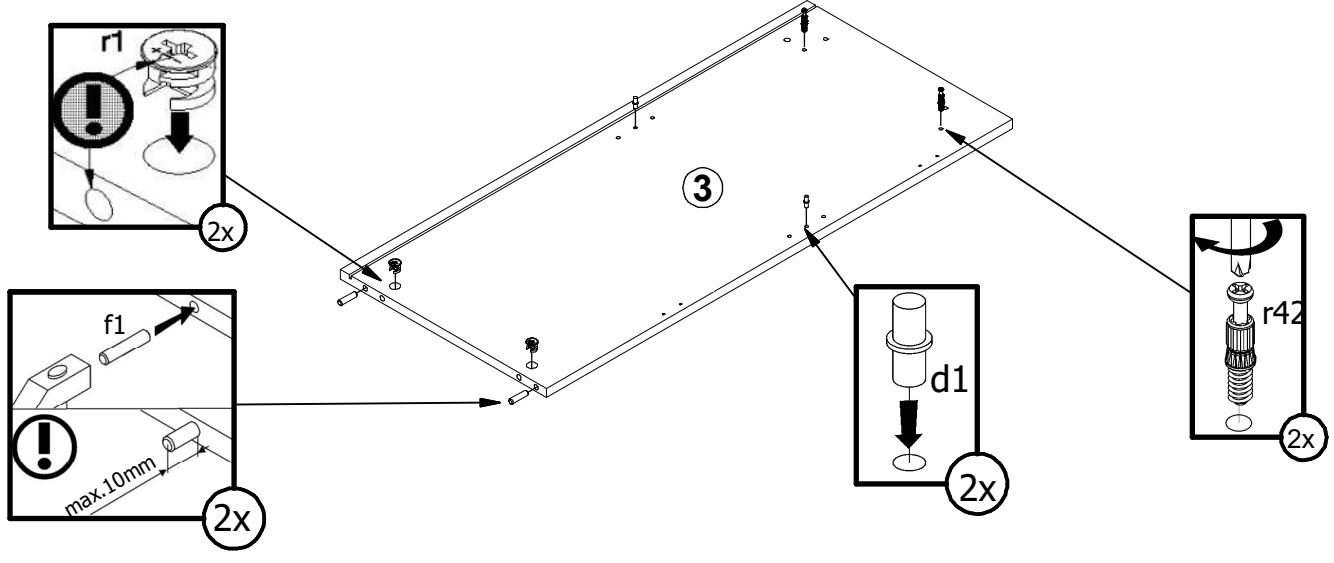


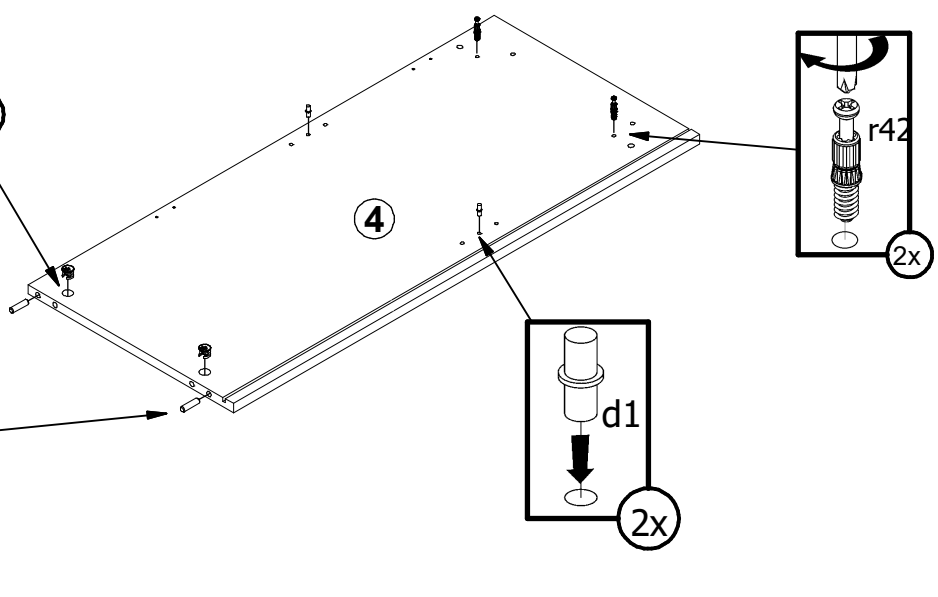
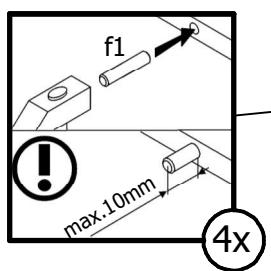
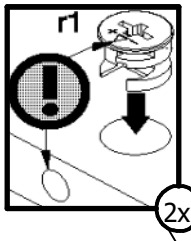
A	B	C1	C2	C3	D
1	L122-0001	996	203	15	1\2
2	L122-0002	570	496	19	2\2
3	L122-1003	872	385	15	1\2
4	L122-1004	872	385	15	1\2
5	L122-1005	206	365	15	2\2
6	L122-1006	206	365	15	2\2
7	L122-1007	782	365	15	2\2
8	L122-2001	1163	420	28	1\2
9	L122-3001	1111	365	15	1\2
10	L122-3002	547	365	15	2\2
11	L122-4001	1158	90	25	1\2
12	L122-5005	385	90	8	2\2
13	L122-5006	782	70	22	1\2
14	L122-5007	782	70	22	2\2
15	L122-9001	800	560	2.5	2\2
16	L122-9002	800	560	2.5	2\2
17	WSP-9008	464	358	2.5	2\2
18	ZQ6-519	350	110	12	2\2
19	ZQ6-520	350	110	12	2\2
20	ZQ6-5173	454	97	15	2\2



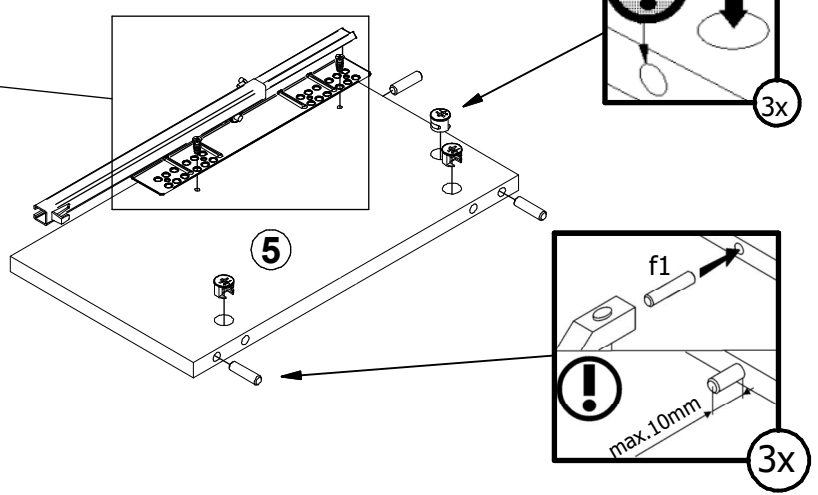
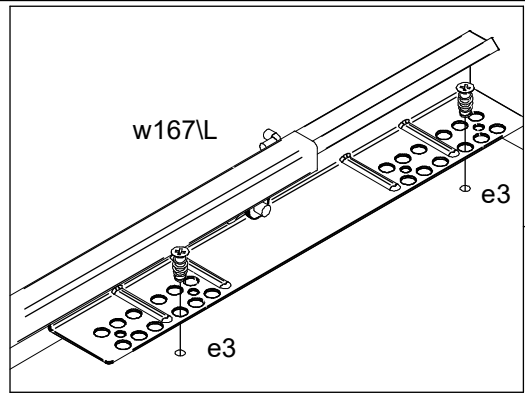
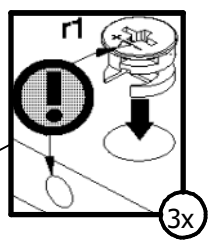
1



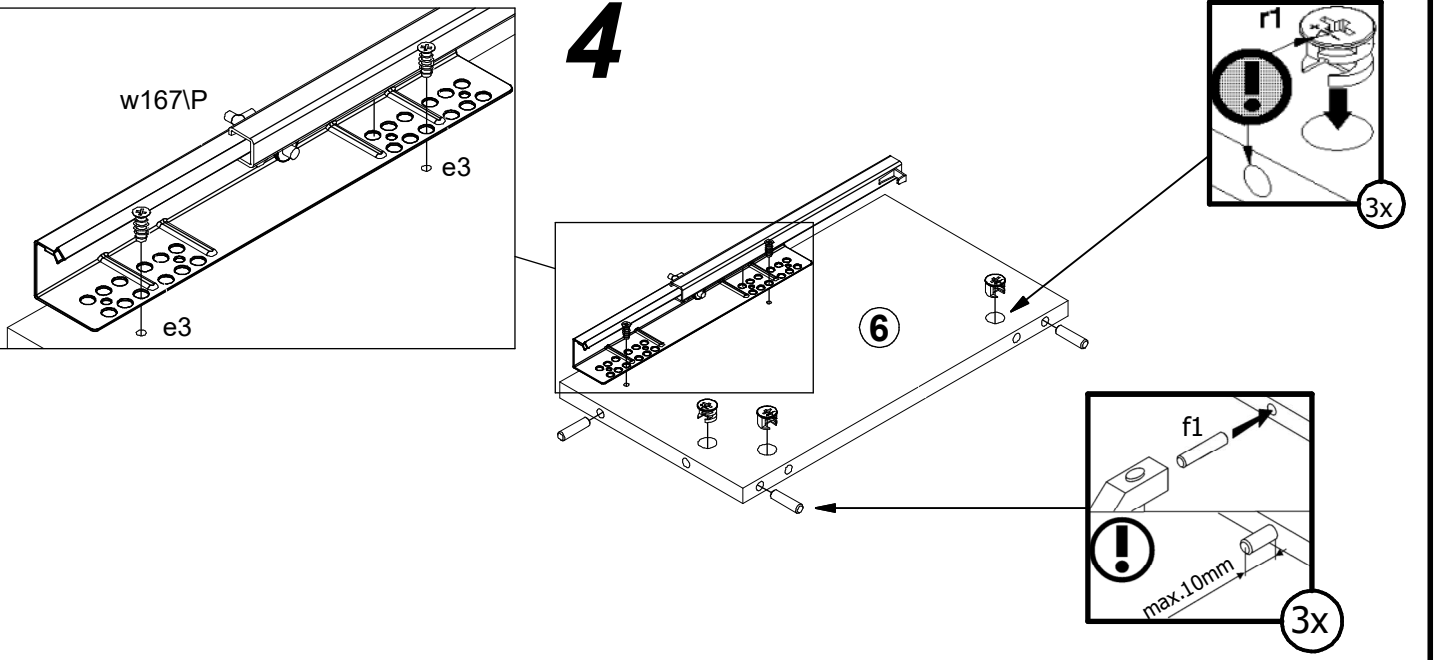
2



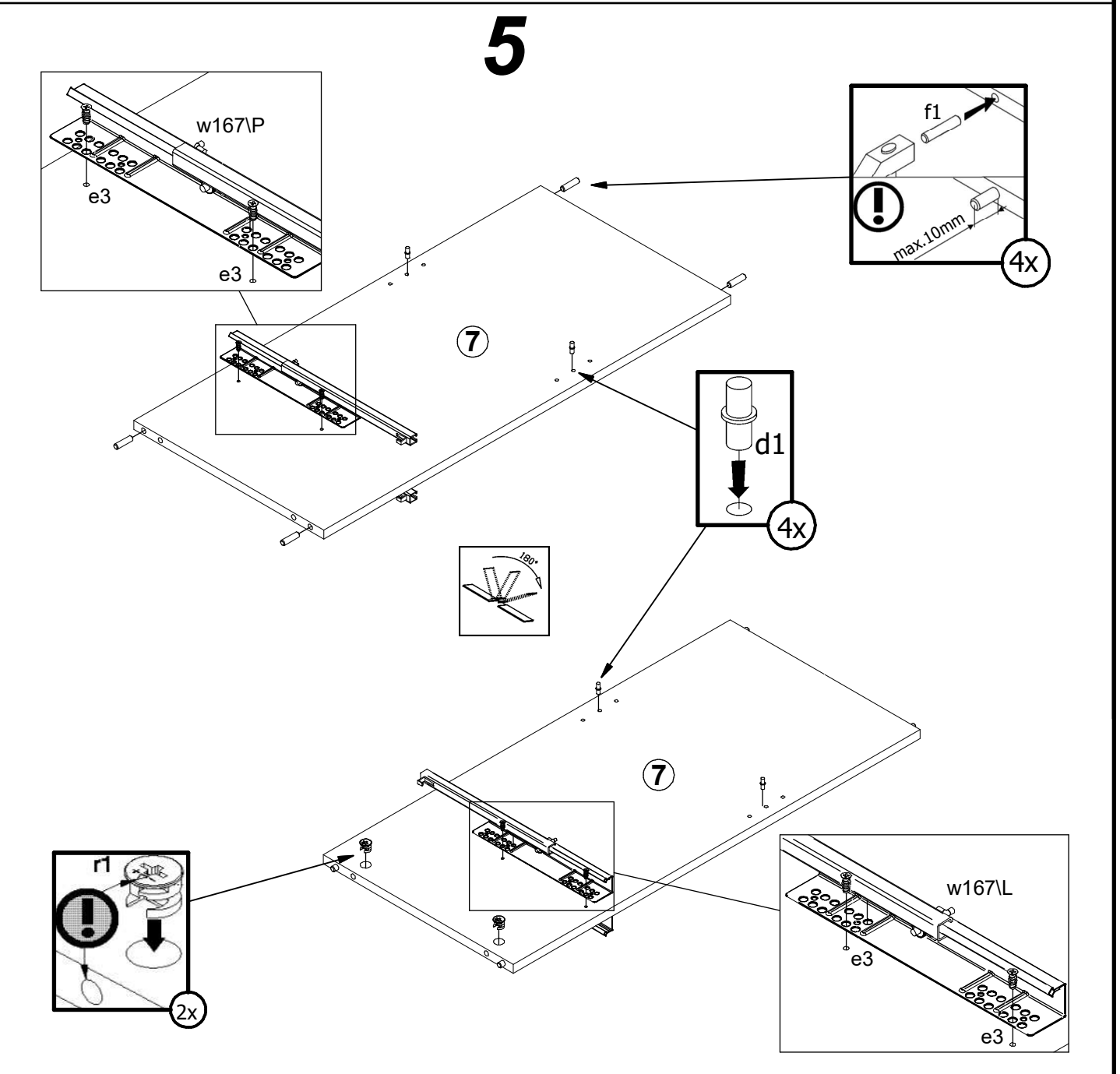
3



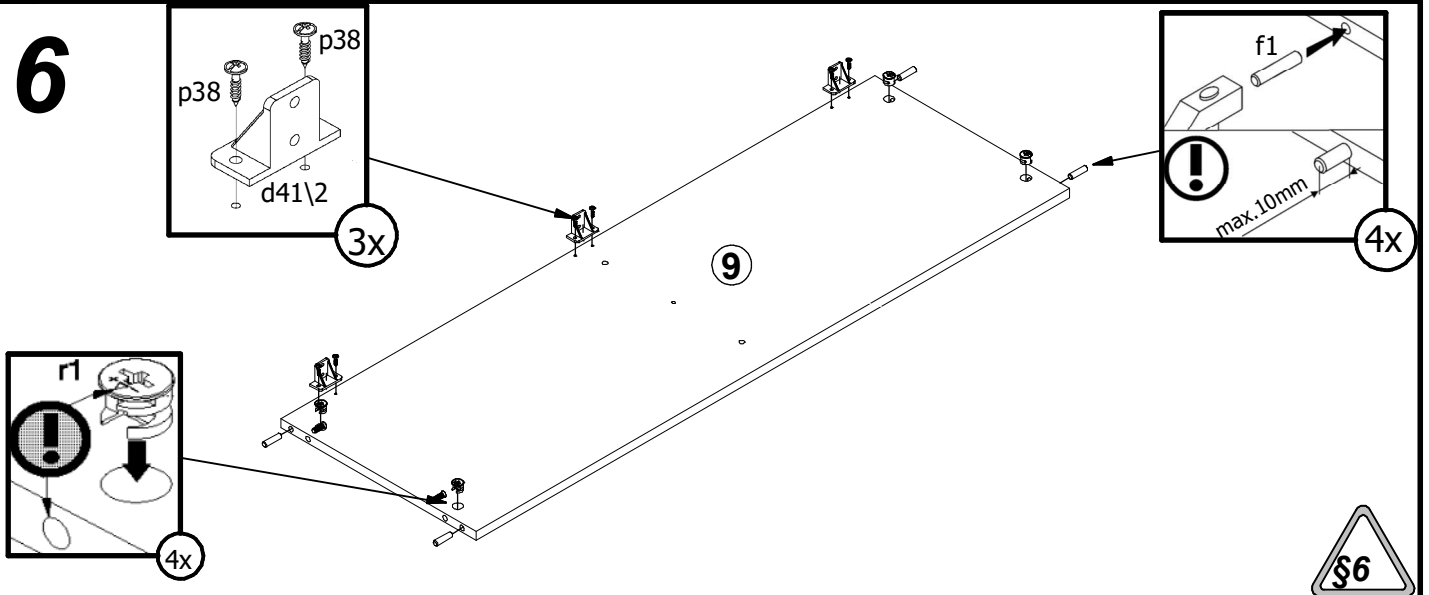
4



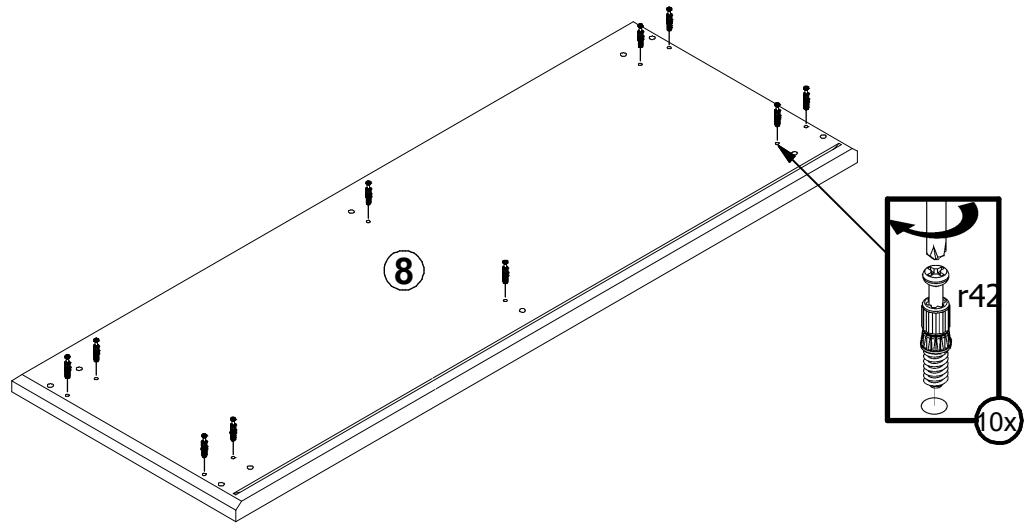
5



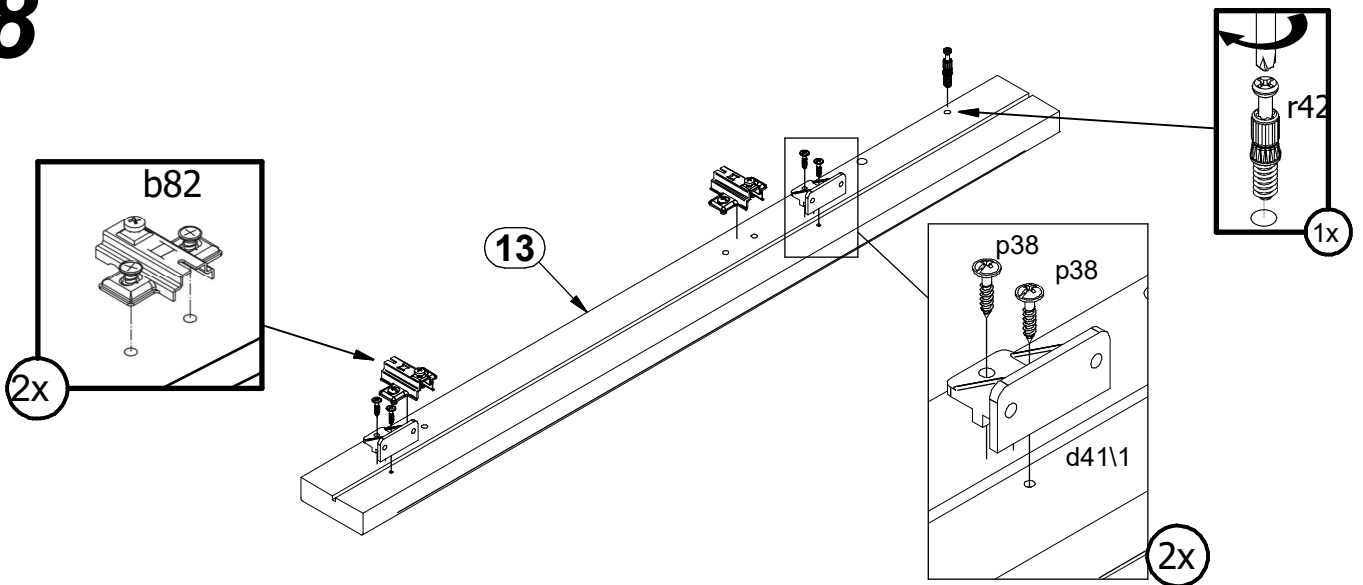
6



7

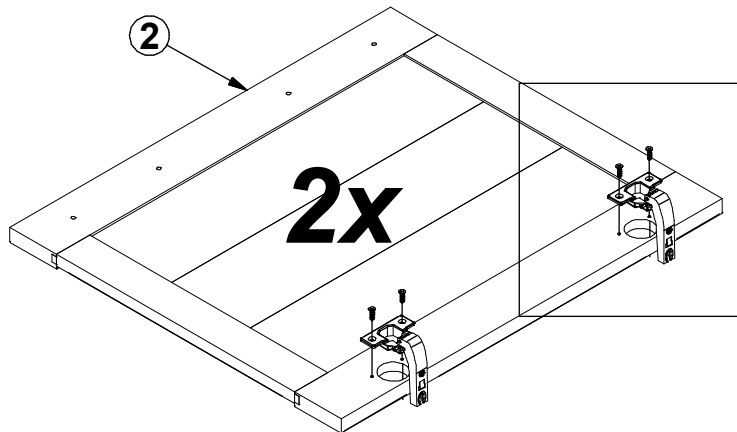
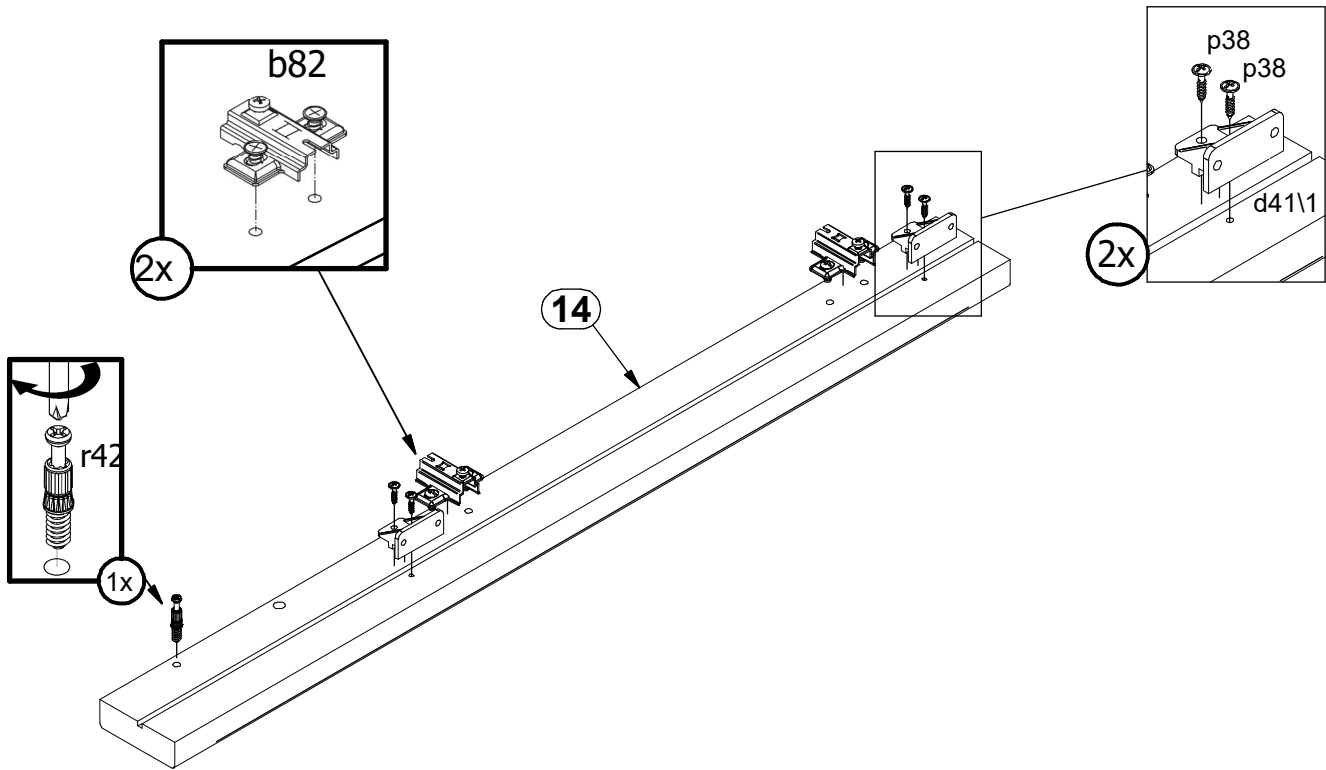


8

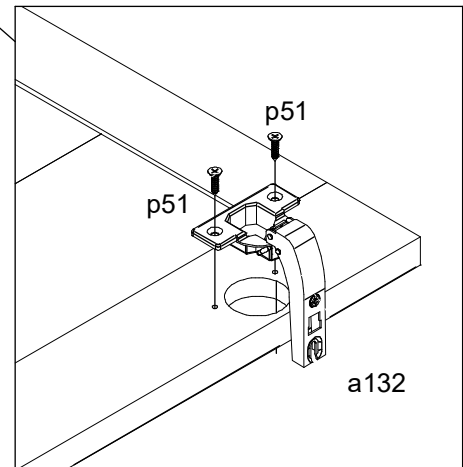




9

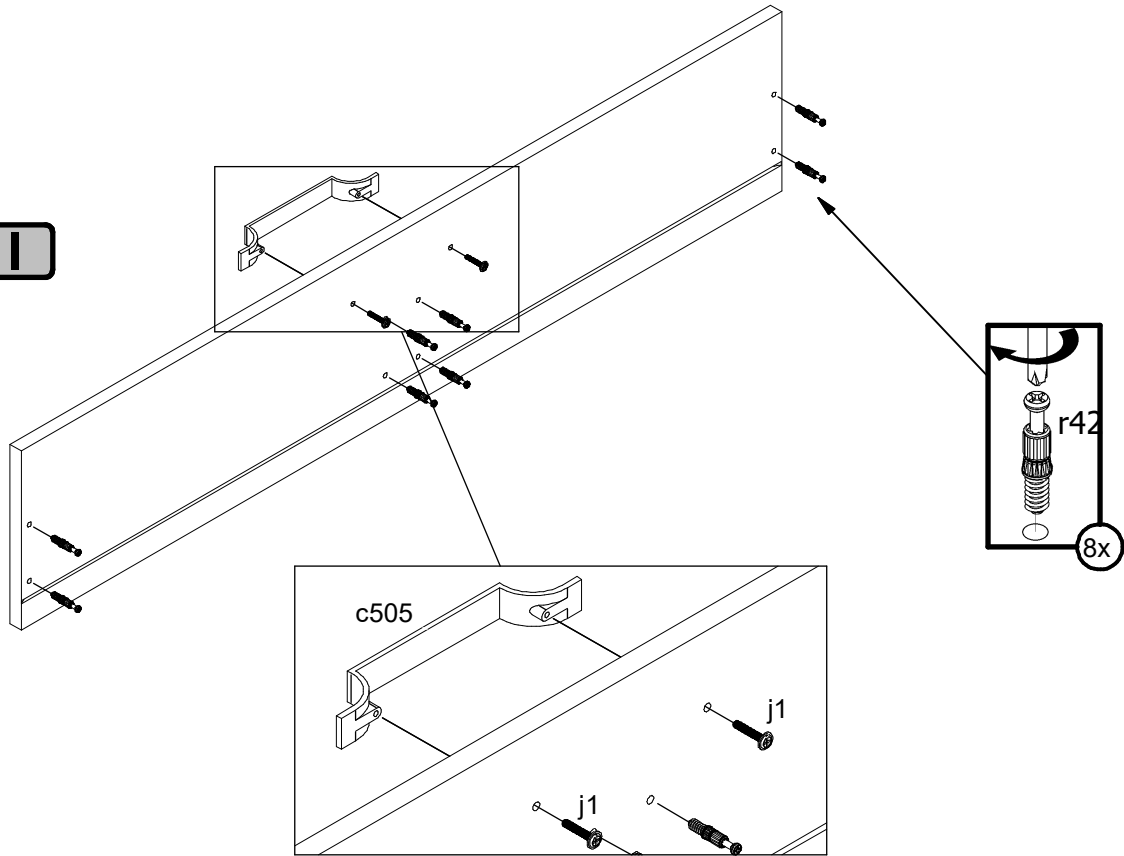


10

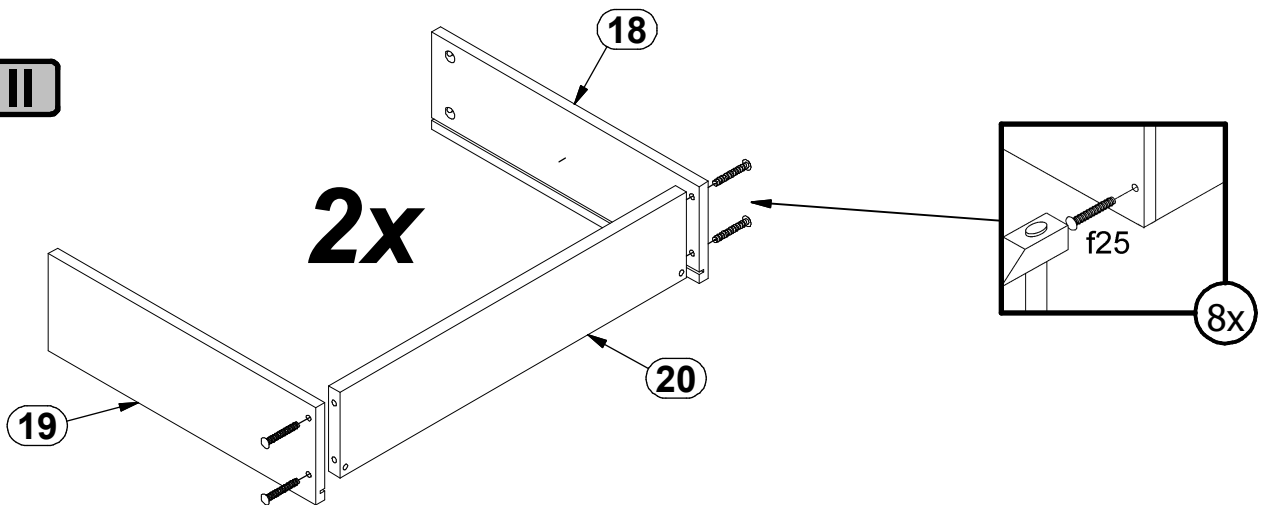


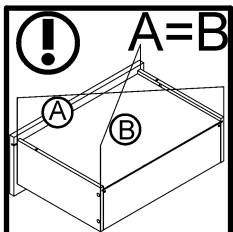
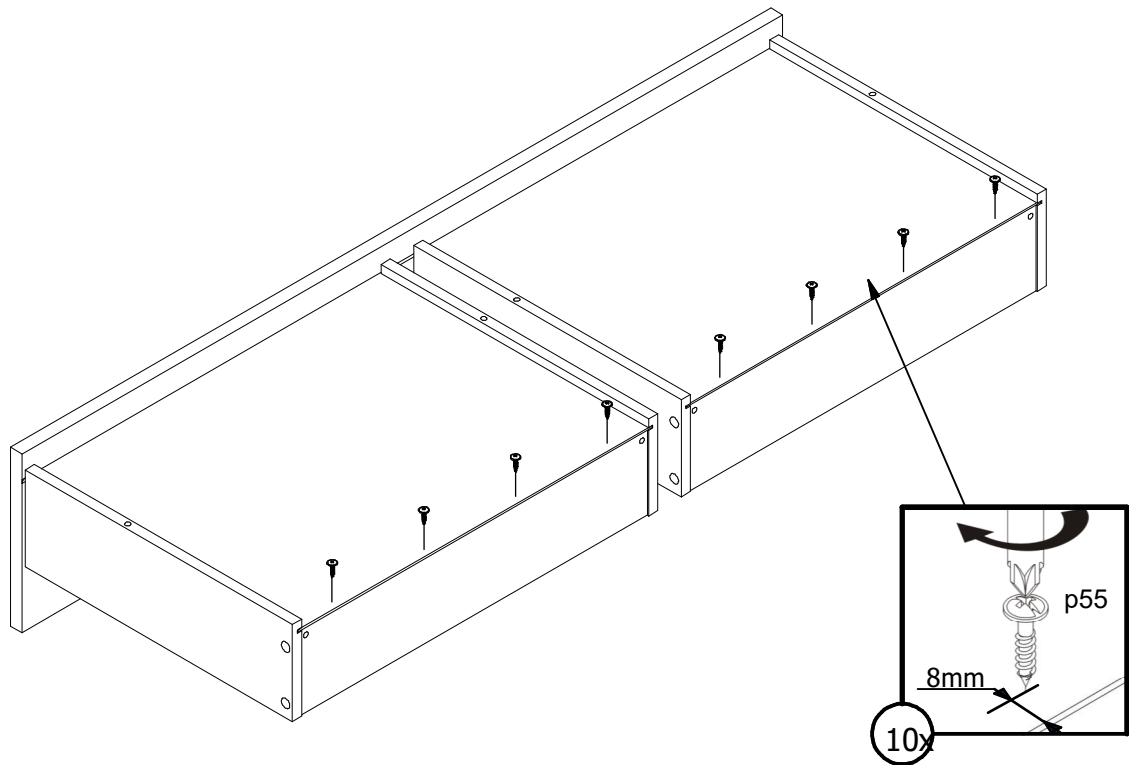
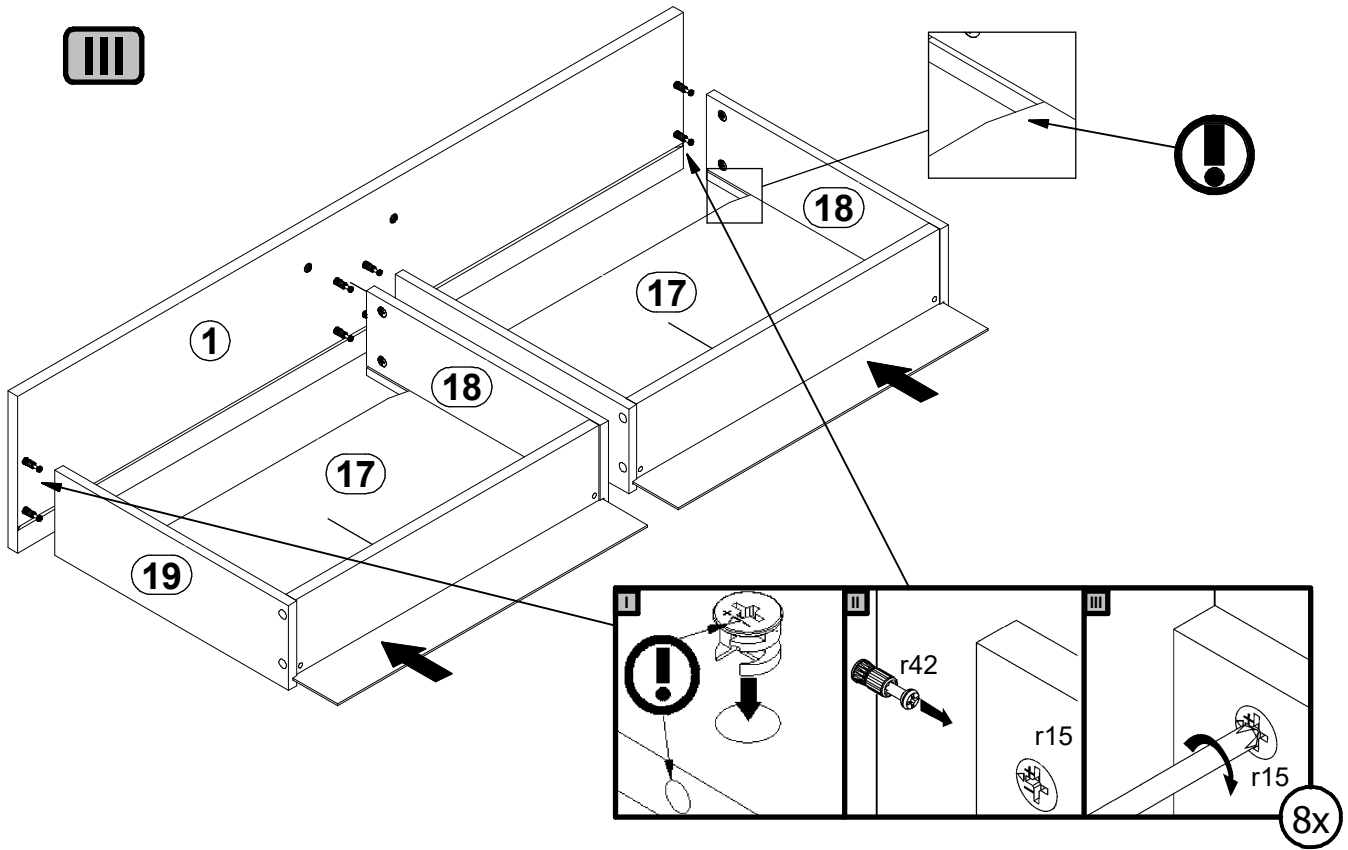
11

I

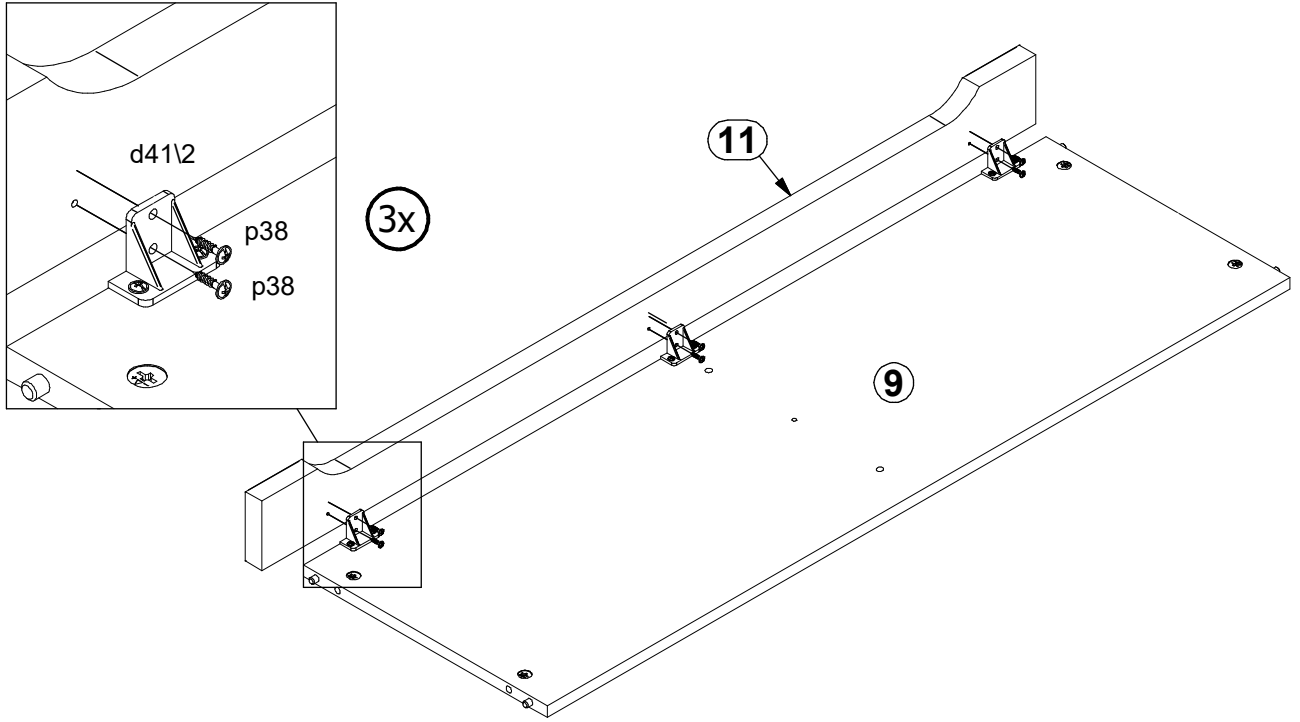


II

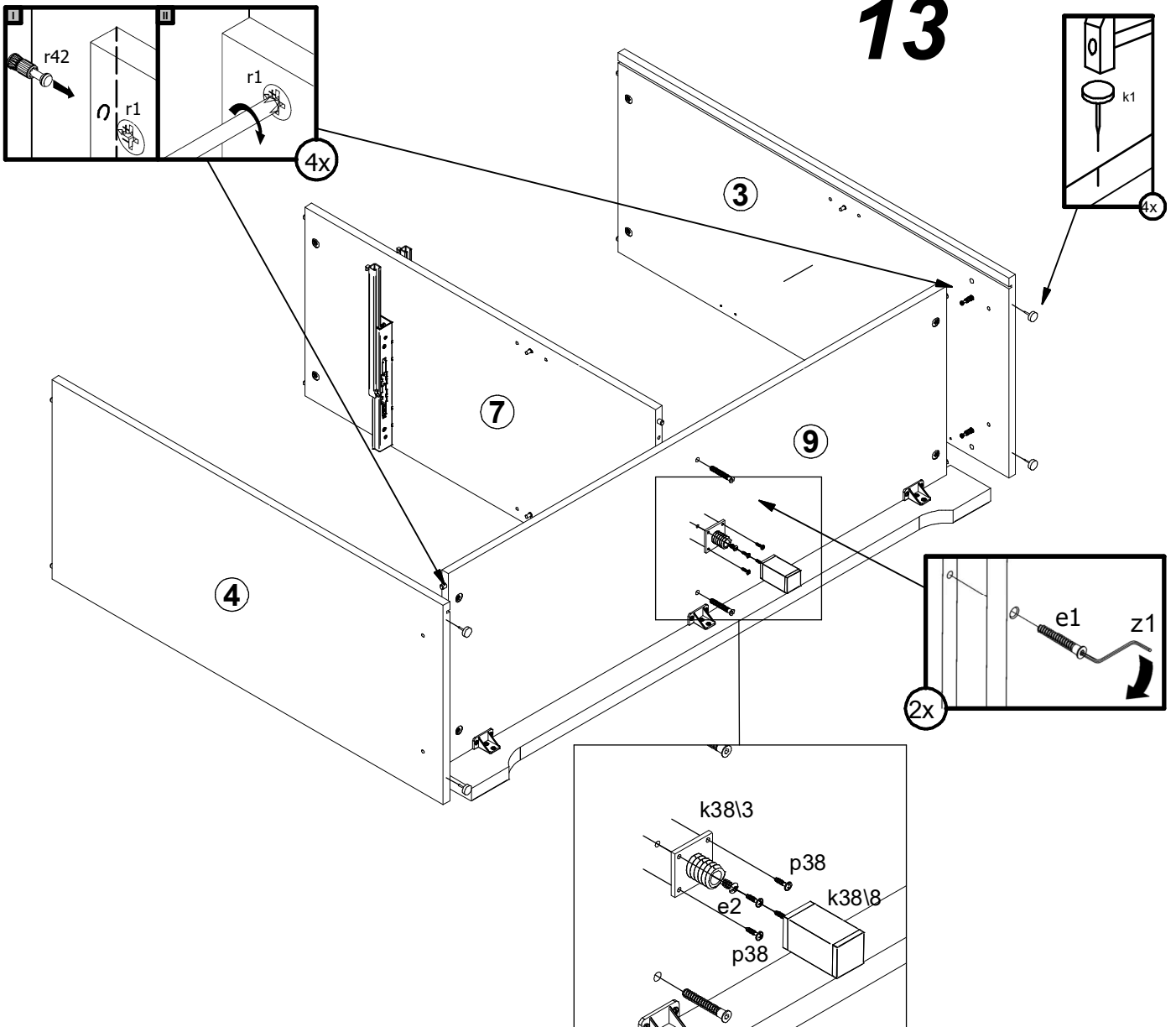




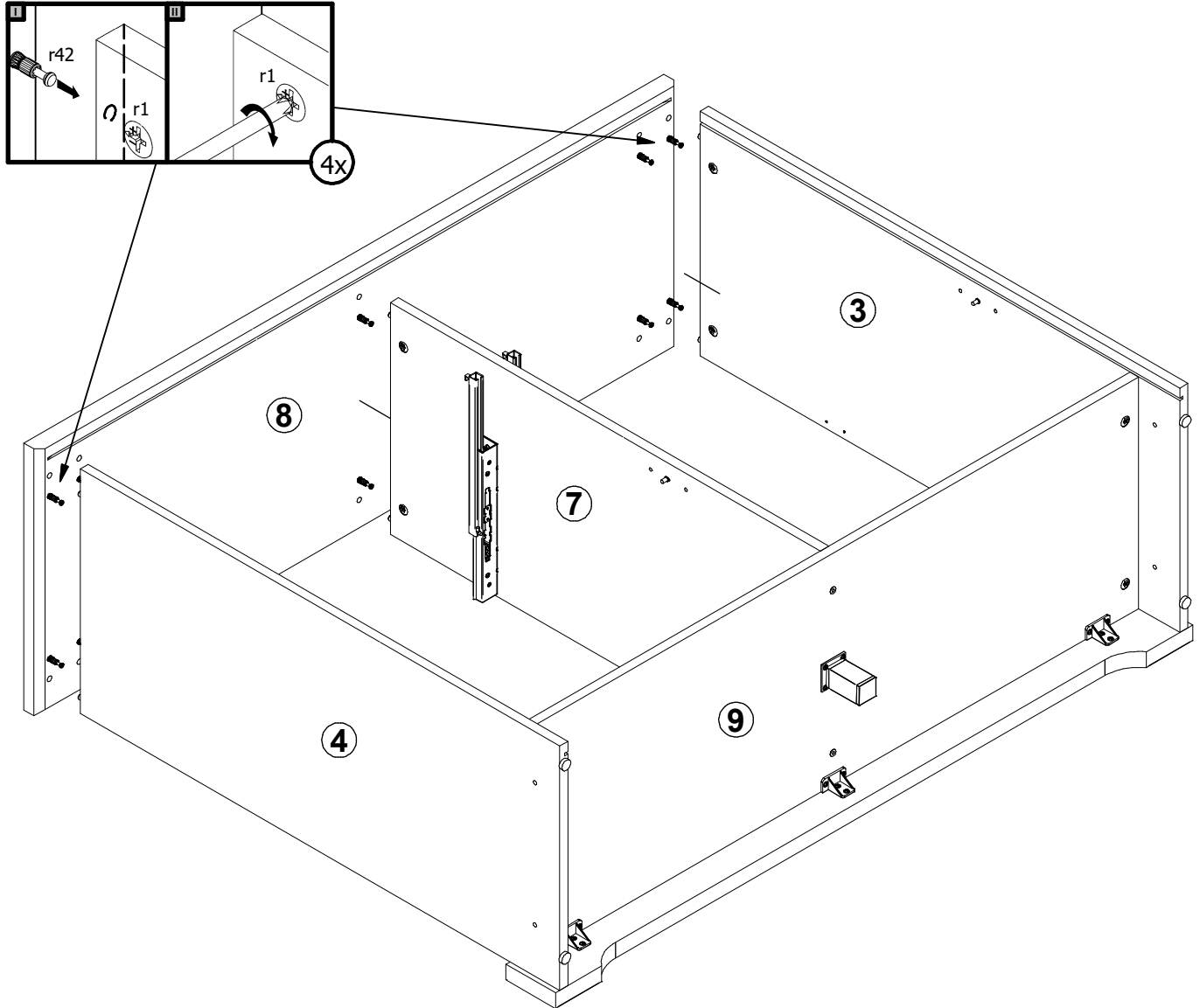
12



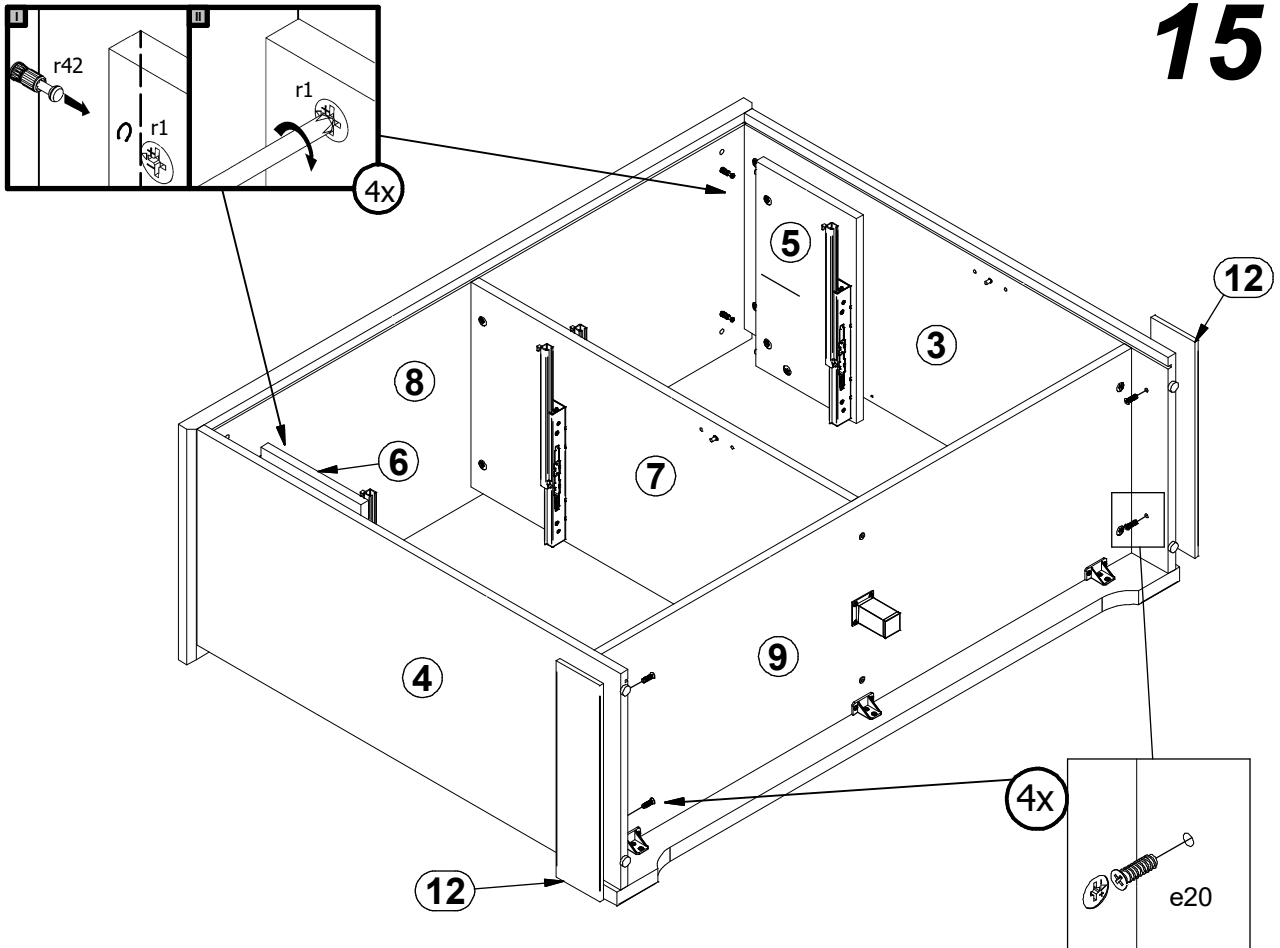
13



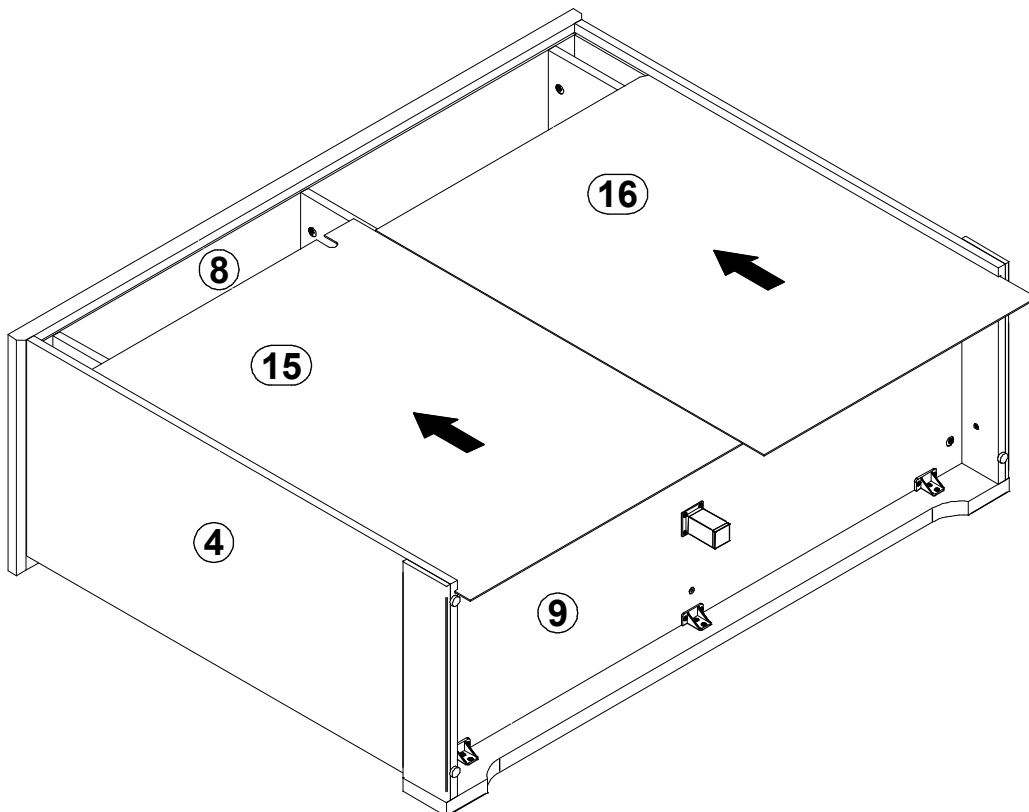
14



15



16



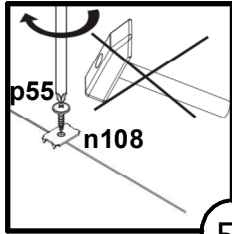
A

L122-KOM2D1S

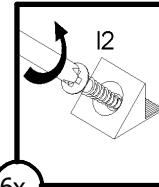
38-668---

12 / 15

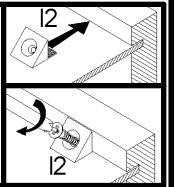
17



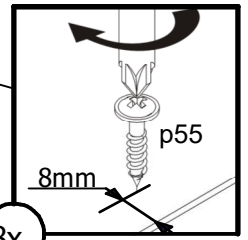
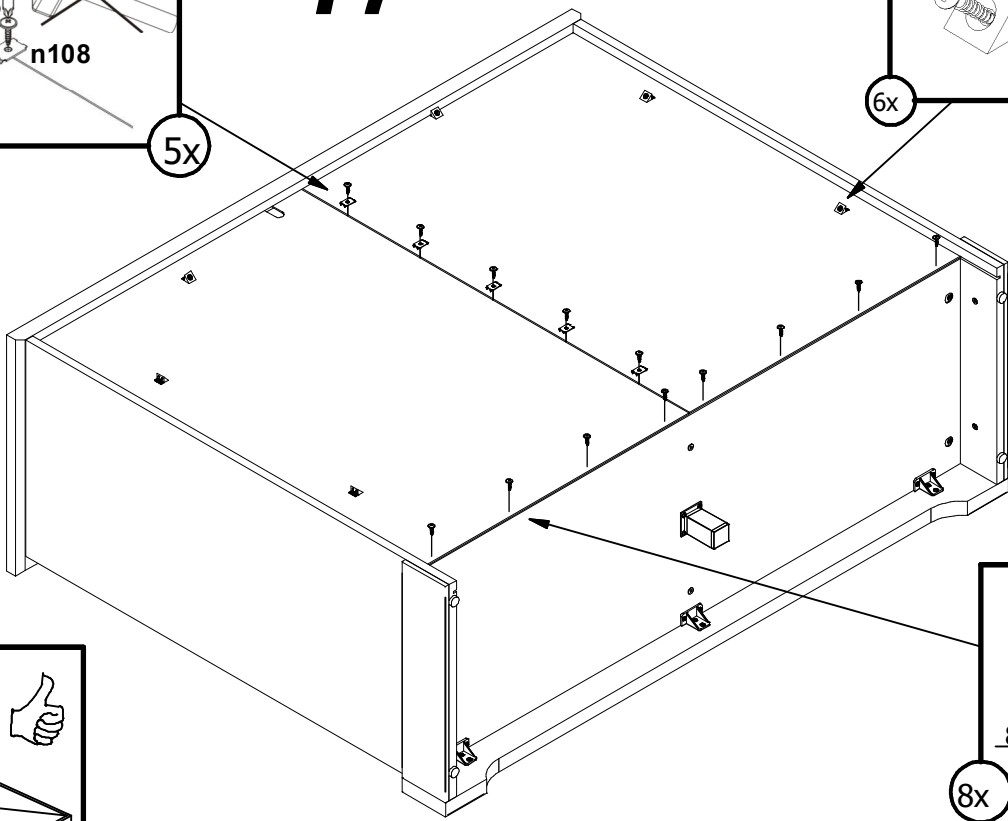
5x



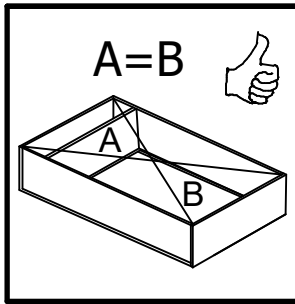
6x



l2

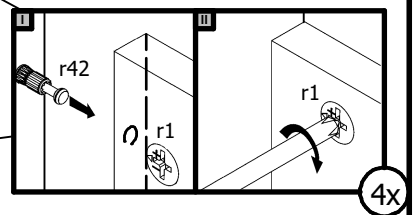
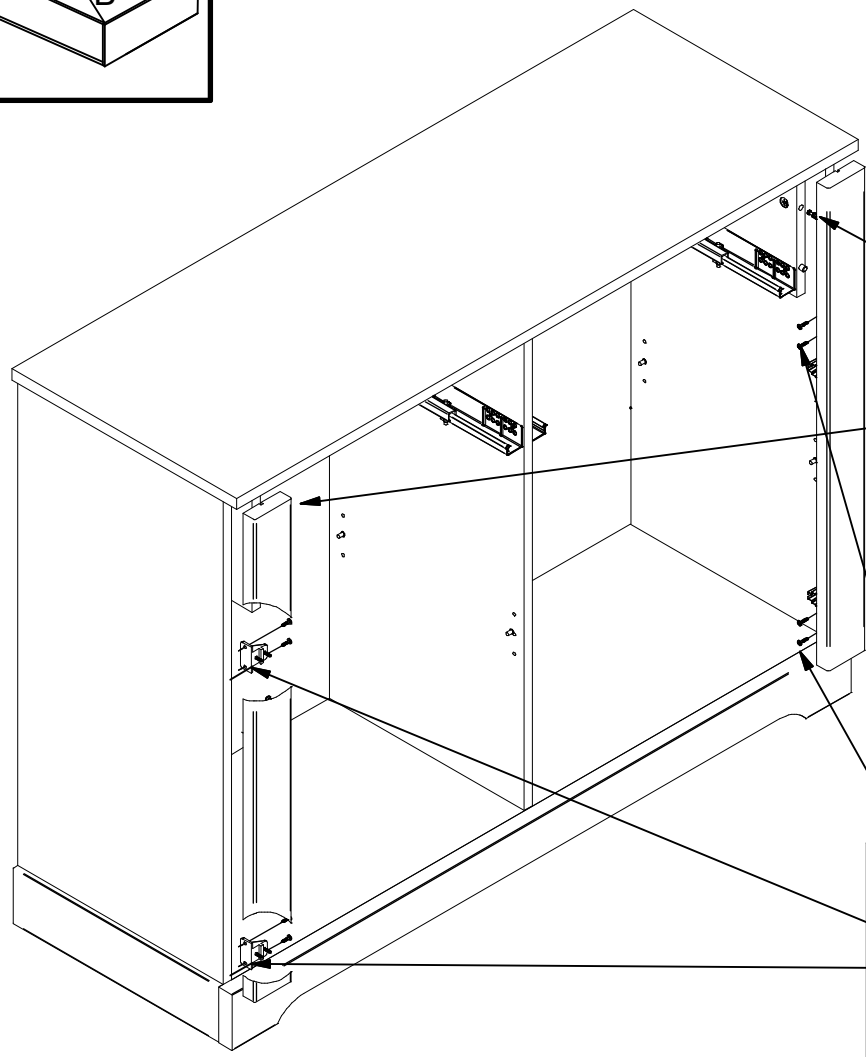


8x

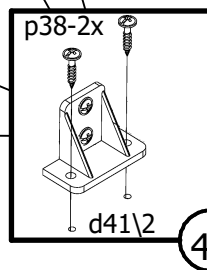


A=B

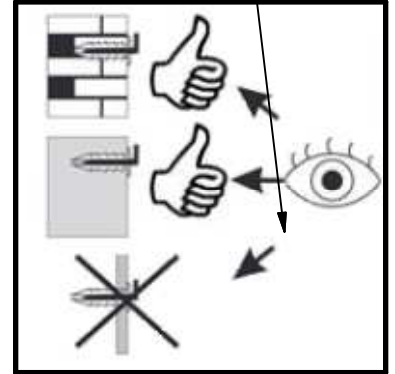
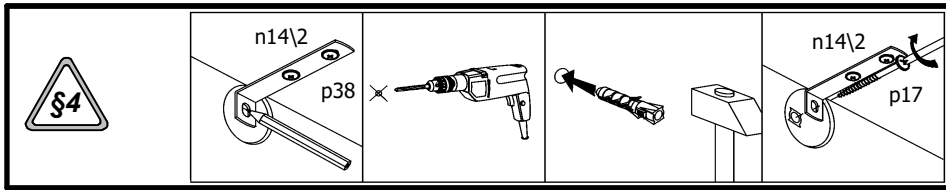
18



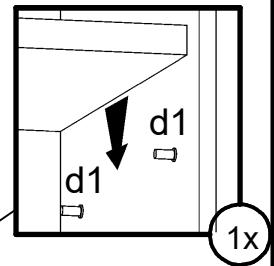
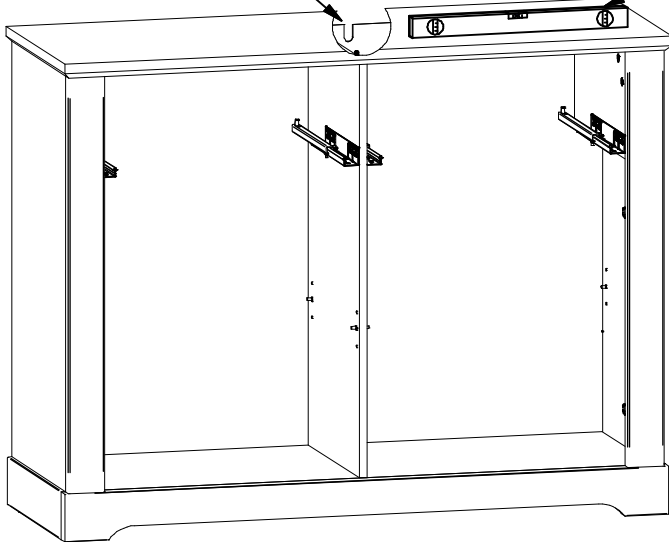
4x



4x



19



20

