

# ASSEMBLY INSTRUCTIONS

Regal  
Buyer Code:- 71001

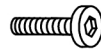


2 PERSON



15 MIN

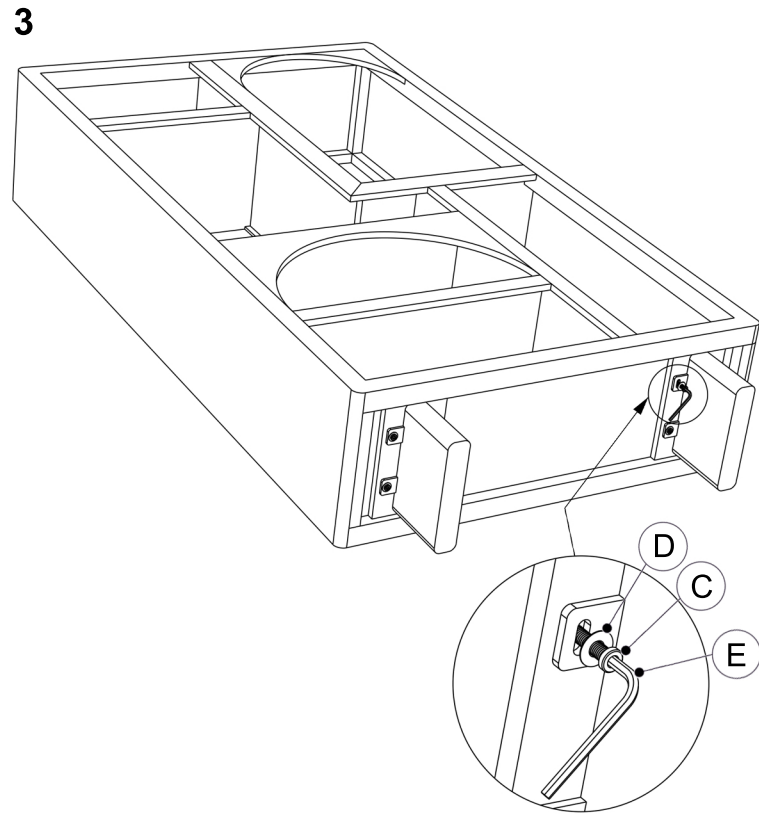
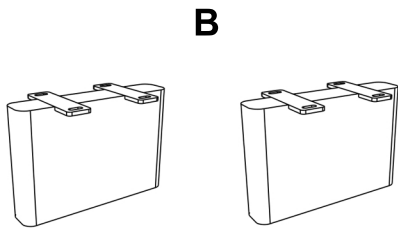
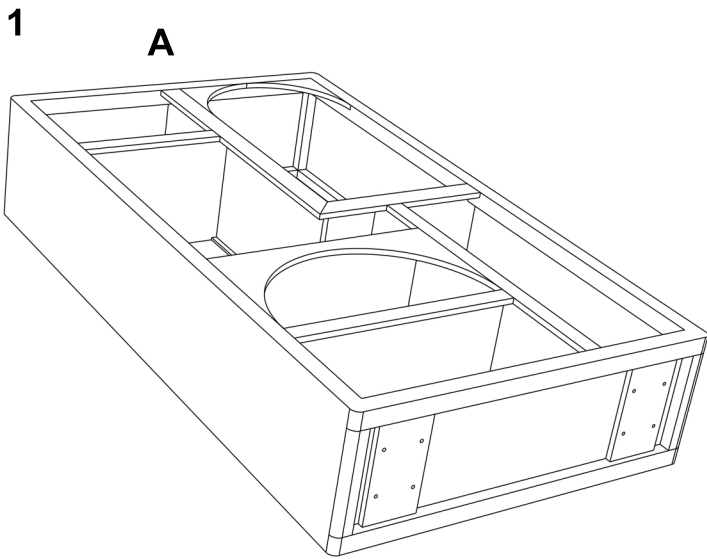
Cx8



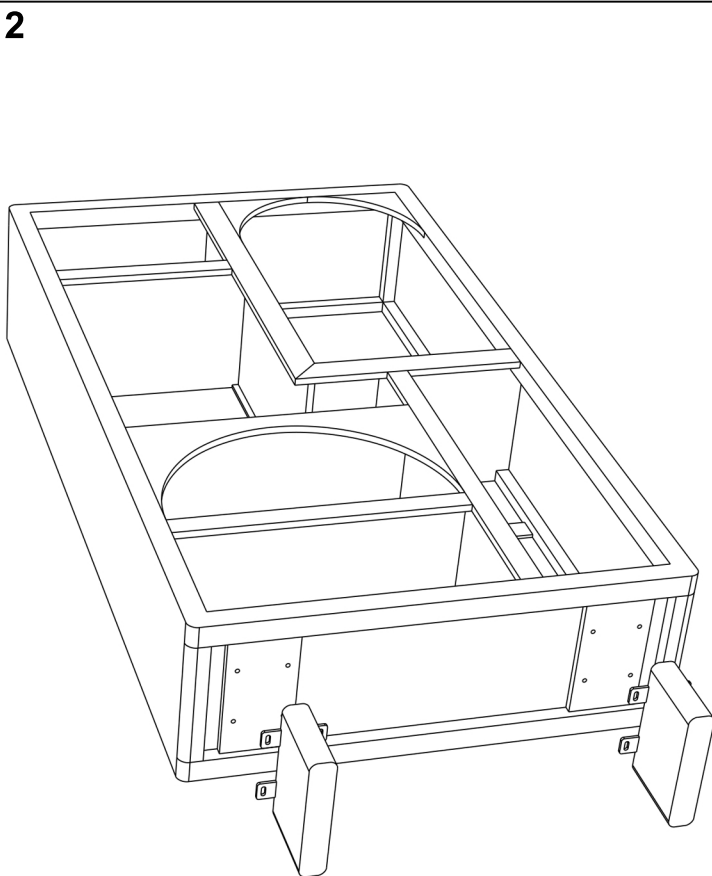
Dx8



Ex1



(A+B)+C+D+E



A+B

