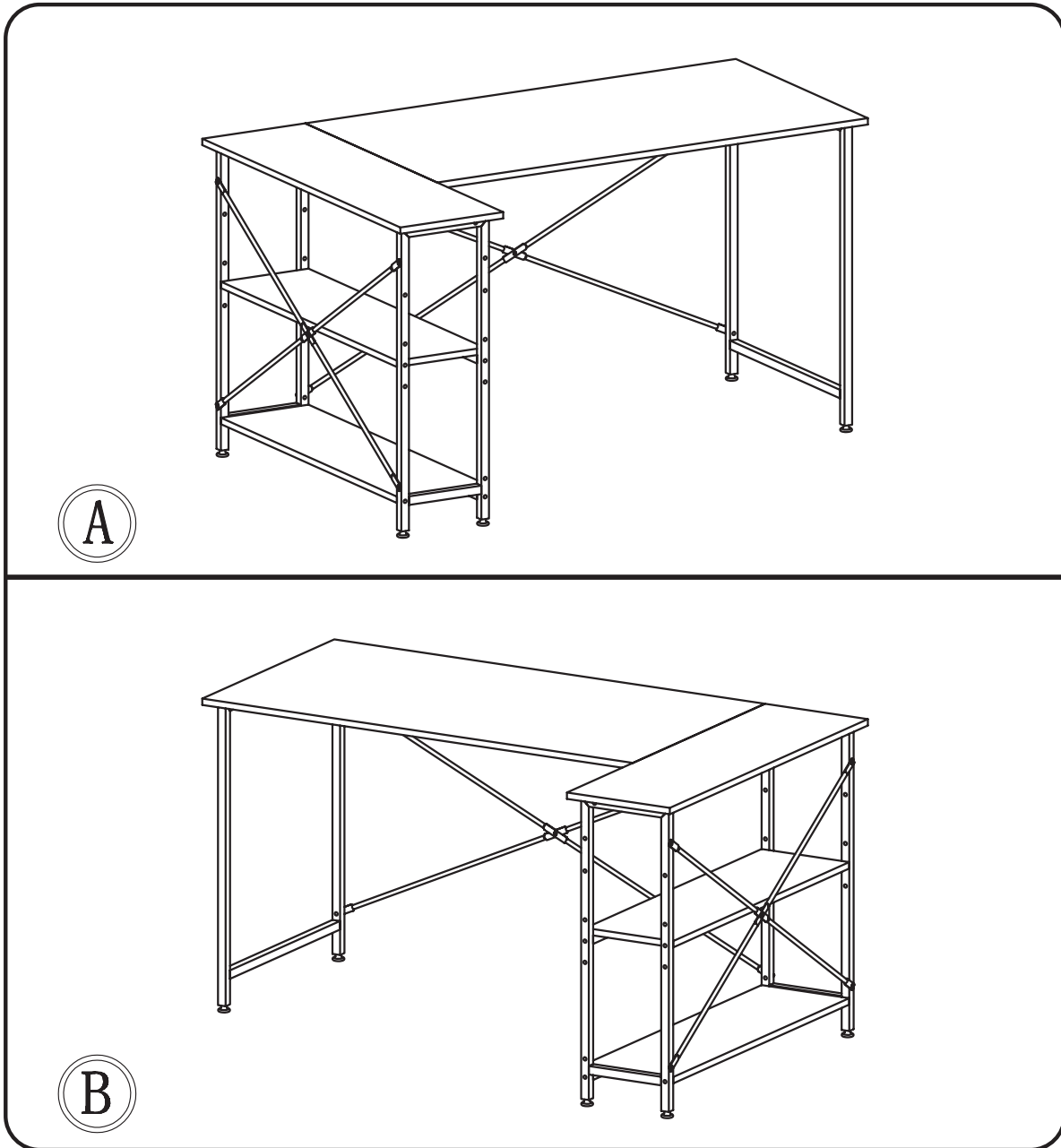


55.1" Small L Shaped Desk with Shelves



Know more about Bestier from



CUSTOMER SUPPORT

CONTACT US BY:

PHONE: 888-666-1086

EMAIL: Service@bestier.net

Thanks for choosing Bestier!
Feel free to contact us if you need any help.
Please kindly share your shopping experience
with us on the platform if you are satisfied with it.

HELPFUL HINTS

! BEFORE YOU START

- Inspect product packaging to ensure the appearance is good.
- Read the assembly instruction carefully and follow it step by step.
- To avoid any scratching, putting a soft blanket on the floor is suggested.
- Identify, sort and count all the parts with tags.
- Find out installation position according to the drawing and install it in correct steps.

! OTHER

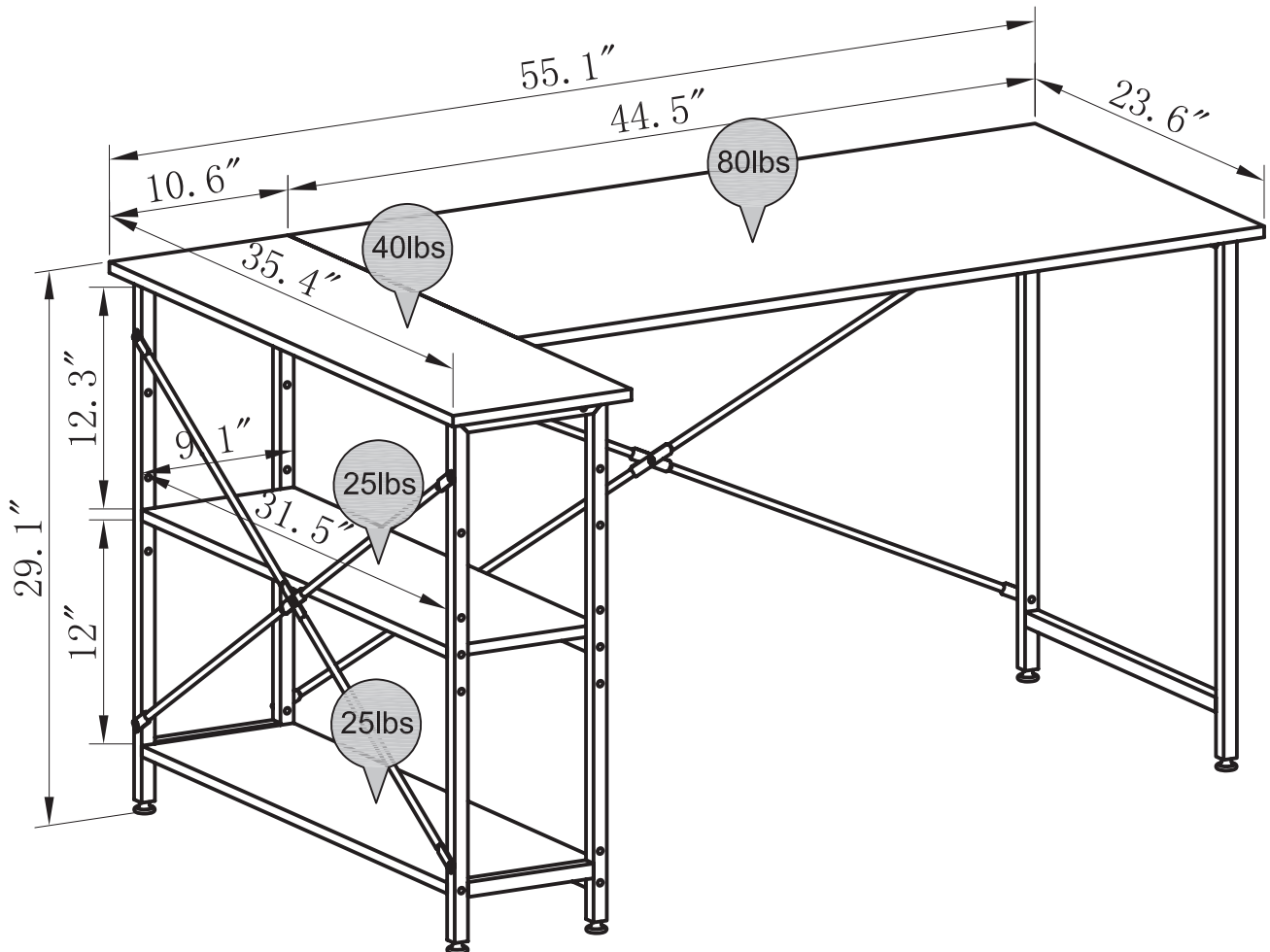
- People needed for assembly: 1-2
- Estimated assembly time: 0.5-1 hour

! CAUTION

- Be cautious when using a power drill or power screwdriver.
- Please be aware to slow down and stop when screw is nearly tight.
- Do Not use any harsh chemicals or abrasive cleaners for this item.
- Push, pull or drag this item carefully.

DETAILS

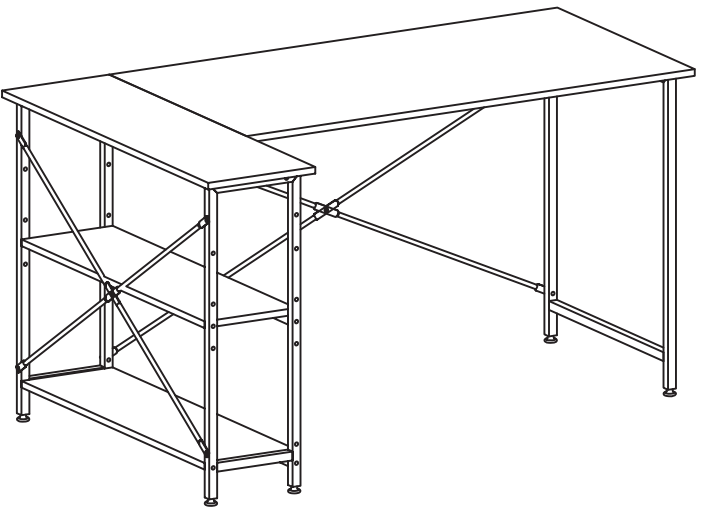
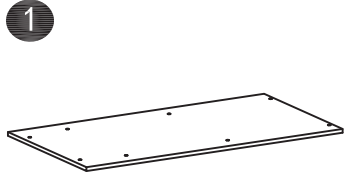
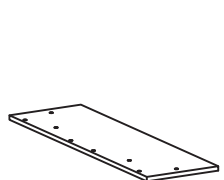
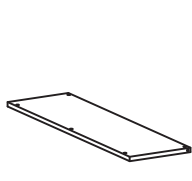
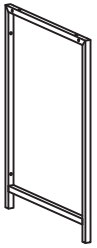
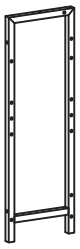






UNIT: INCH





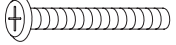

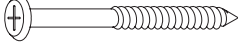


D244X

02

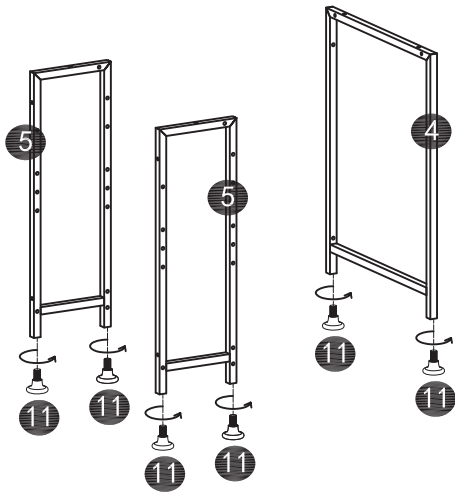
PARTS LIST

	 <p>x 1</p>	 <p>x 1</p>
	 <p>x 2</p>	 <p>x 1</p>
 <p>x 2</p>	 <p>x 2</p>	 <p>x 1</p>
 <p>x 2</p>	 <p>x 2</p>	 <p>x 6</p>
 <p>x 2</p>		

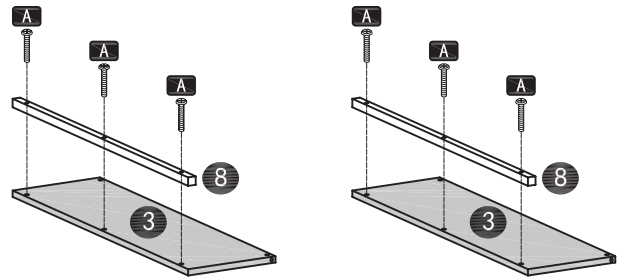
ACCESSORIES LIST

No.	PICTURE	SIZE	QTY	No.	PICTURE	SIZE	QTY
A		M6x30	28	E		M6x10	2
B		M6x35	10	F		Φ8	8
C		ST5x50	4				
D		M6	10				

STEP 1

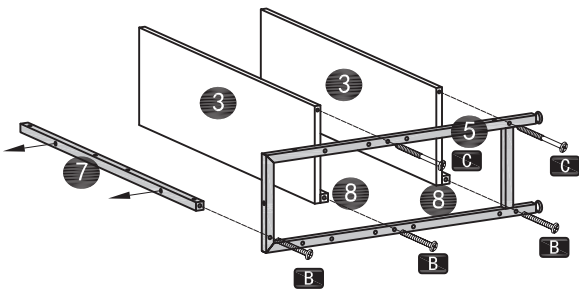


STEP 2



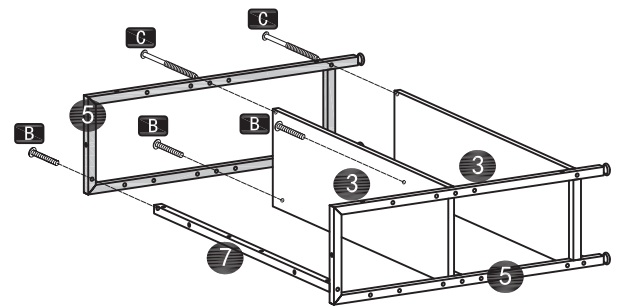
A  M6x30 6

STEP 3



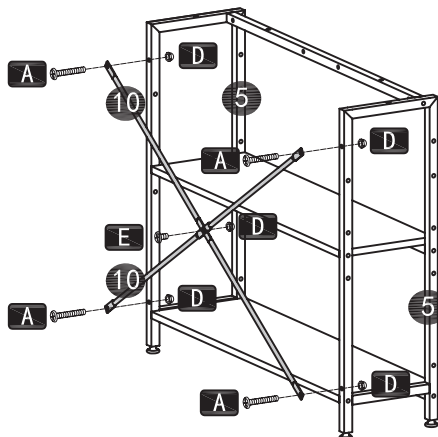
B  M6x35 3 **C**  ST5x50 2

STEP 4



B  M6x35 3 **C**  ST5x50 2

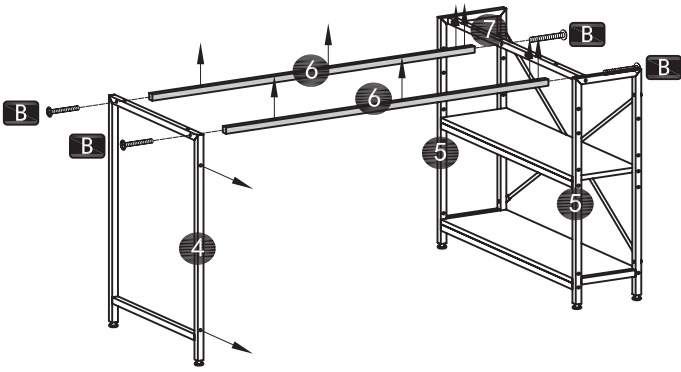
STEP 5



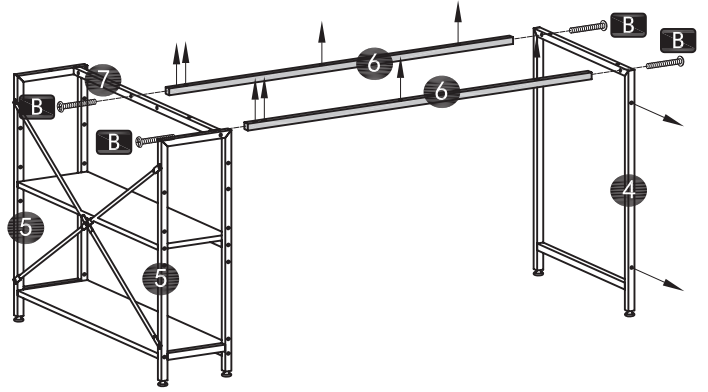
A  M6x30 4 **D**  M6 5 **E**  M6x10 1

STEP 6

A



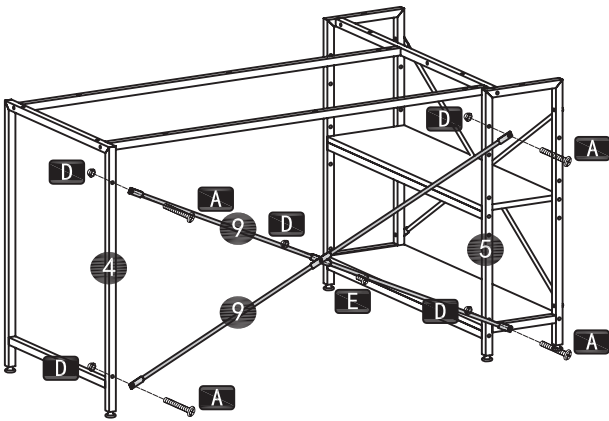
B



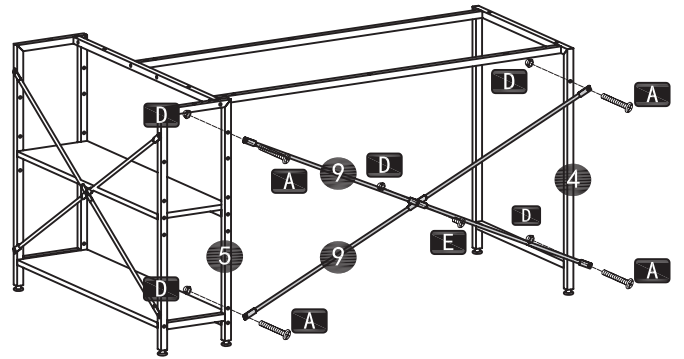
B  M6x35 4

STEP 7

A



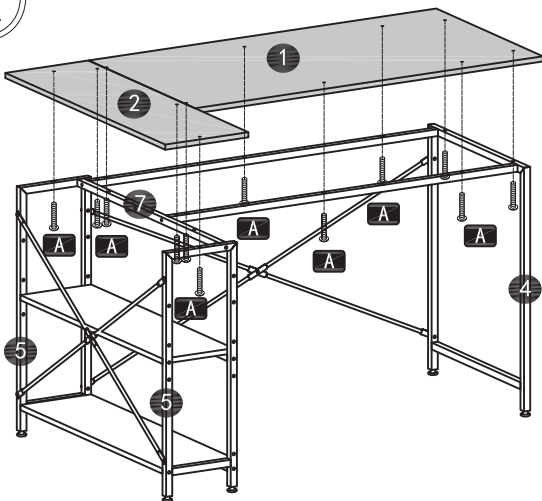
B



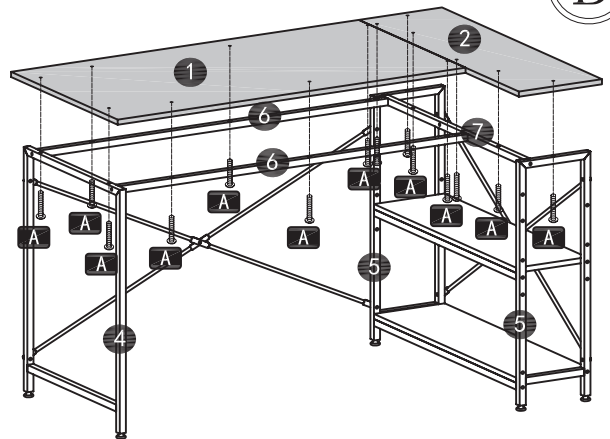
A  M6x30 4 D  M6 5 E  M6x10 1

STEP 8

A



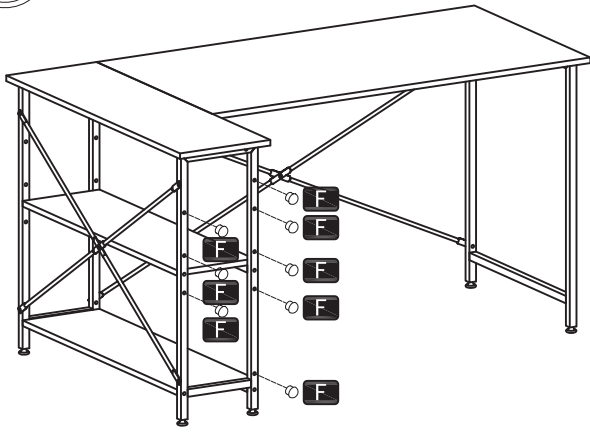
B



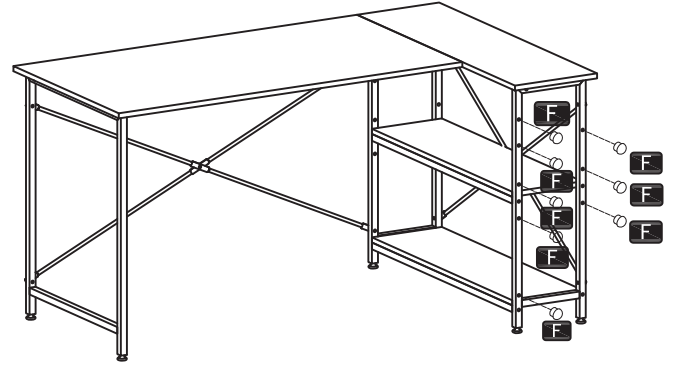
A  M6x30 12

STEP 9

A



B



F  $\Phi 8$ 8