


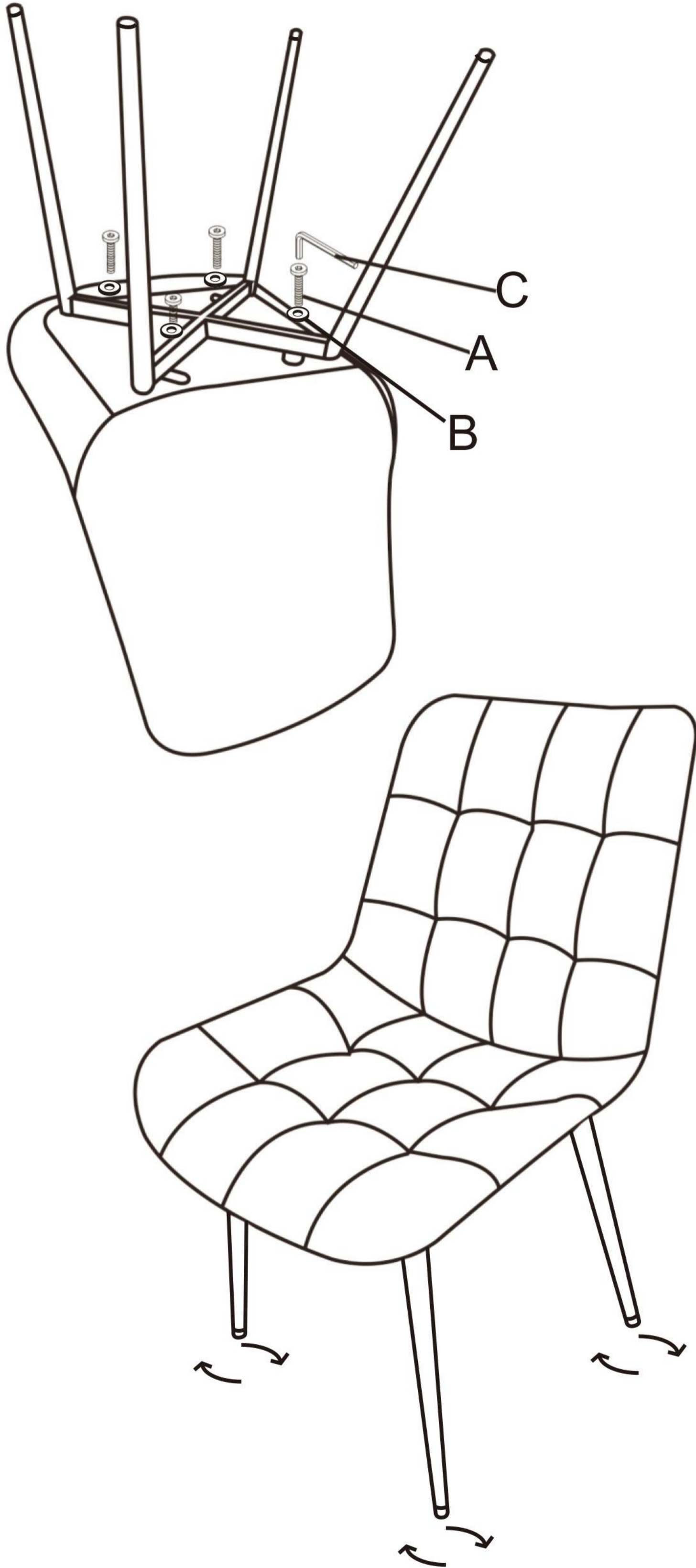
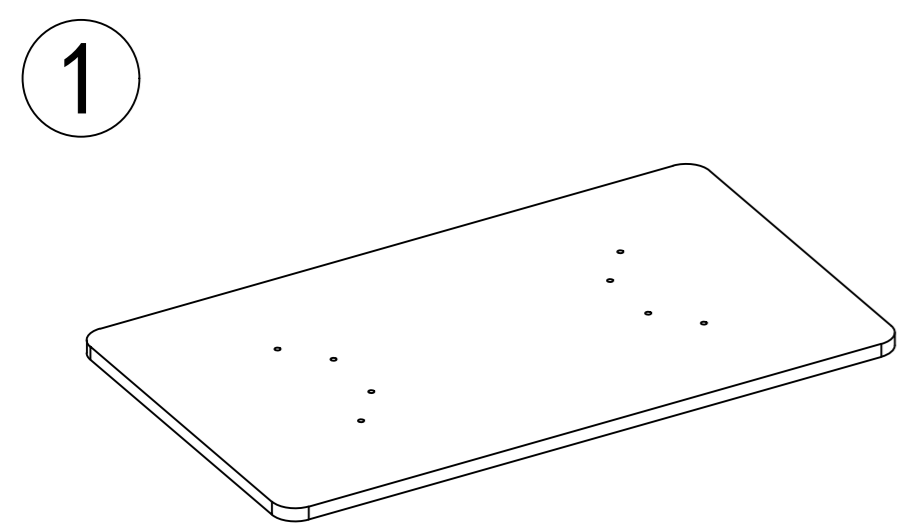
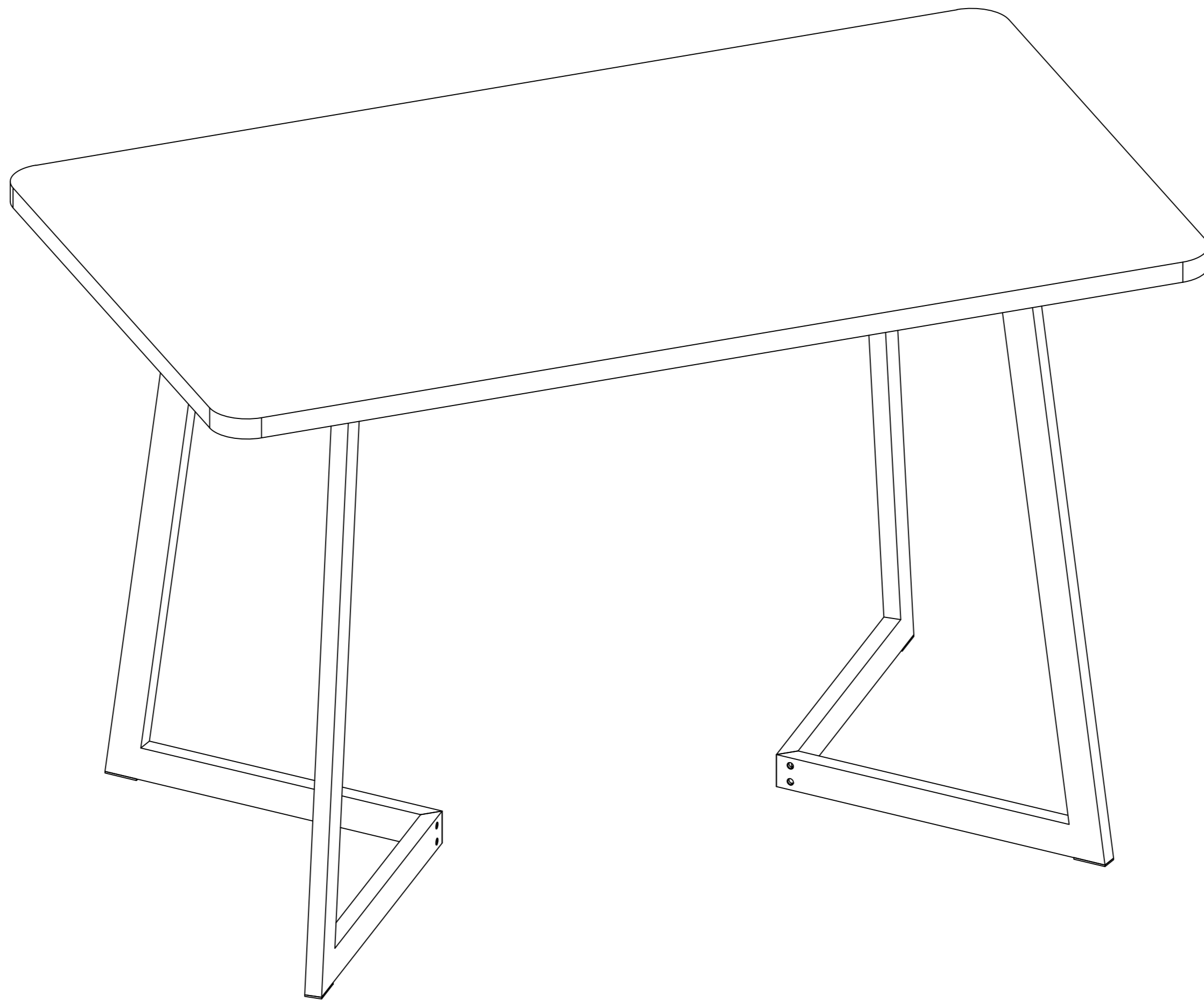


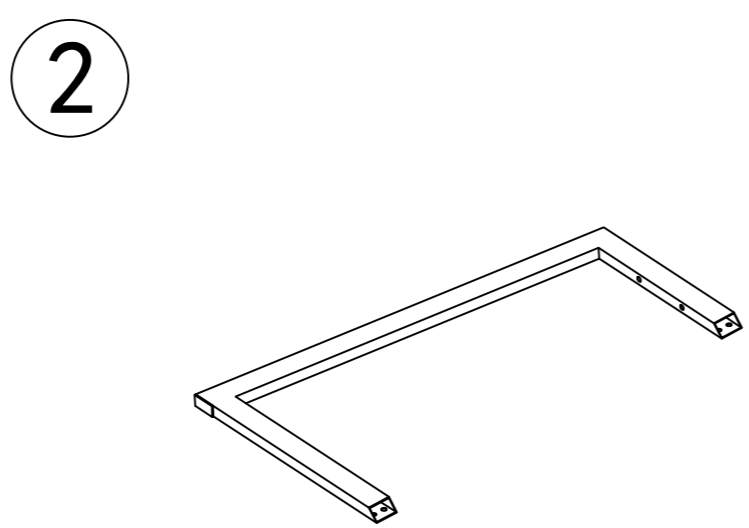
# Assembly Instructions

ELEMENTS/PARTS	Ax5  (spare 1)	Bx5  (spare 1)	Cx1 
----------------	-------------------------------------------------------------------------------------------------------	---------------------------------------------------------------------------------------------------------	--------------------------------------------------------------------------------------------

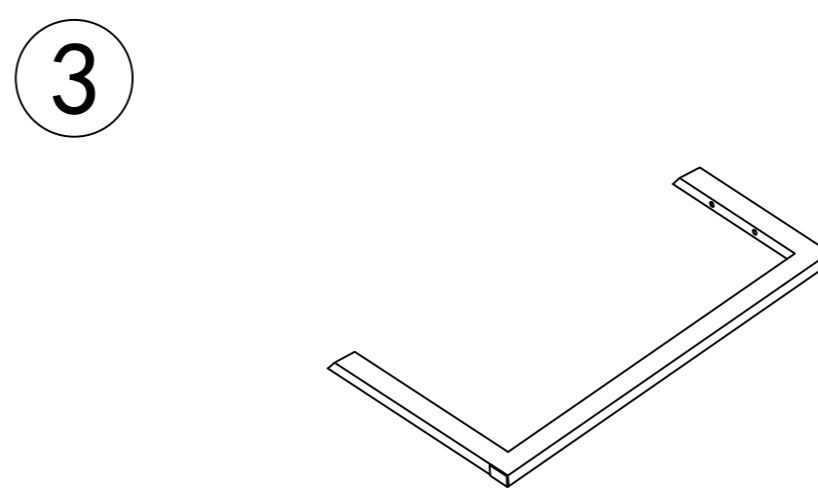




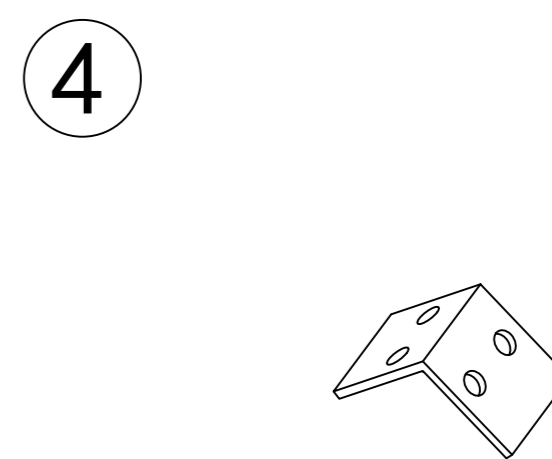
x1



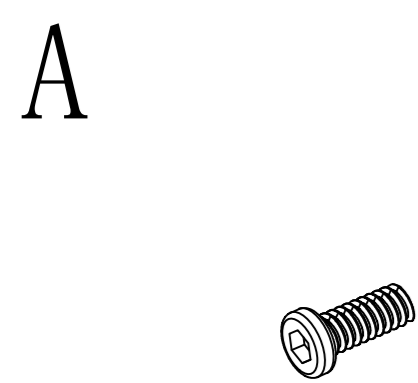
x2



x2

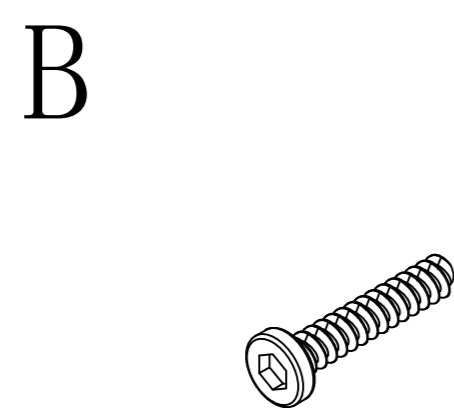


x4

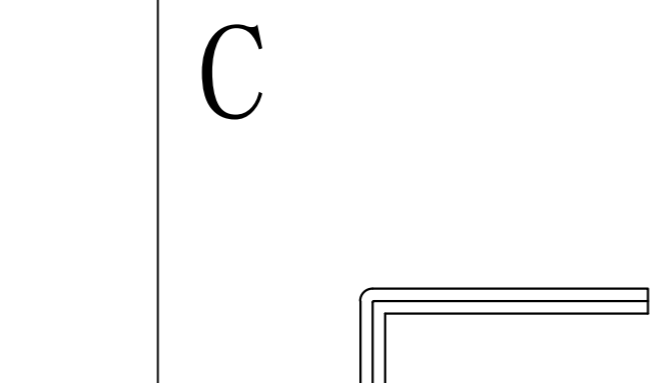


M6x13

x16



M8\*55



X8 M5

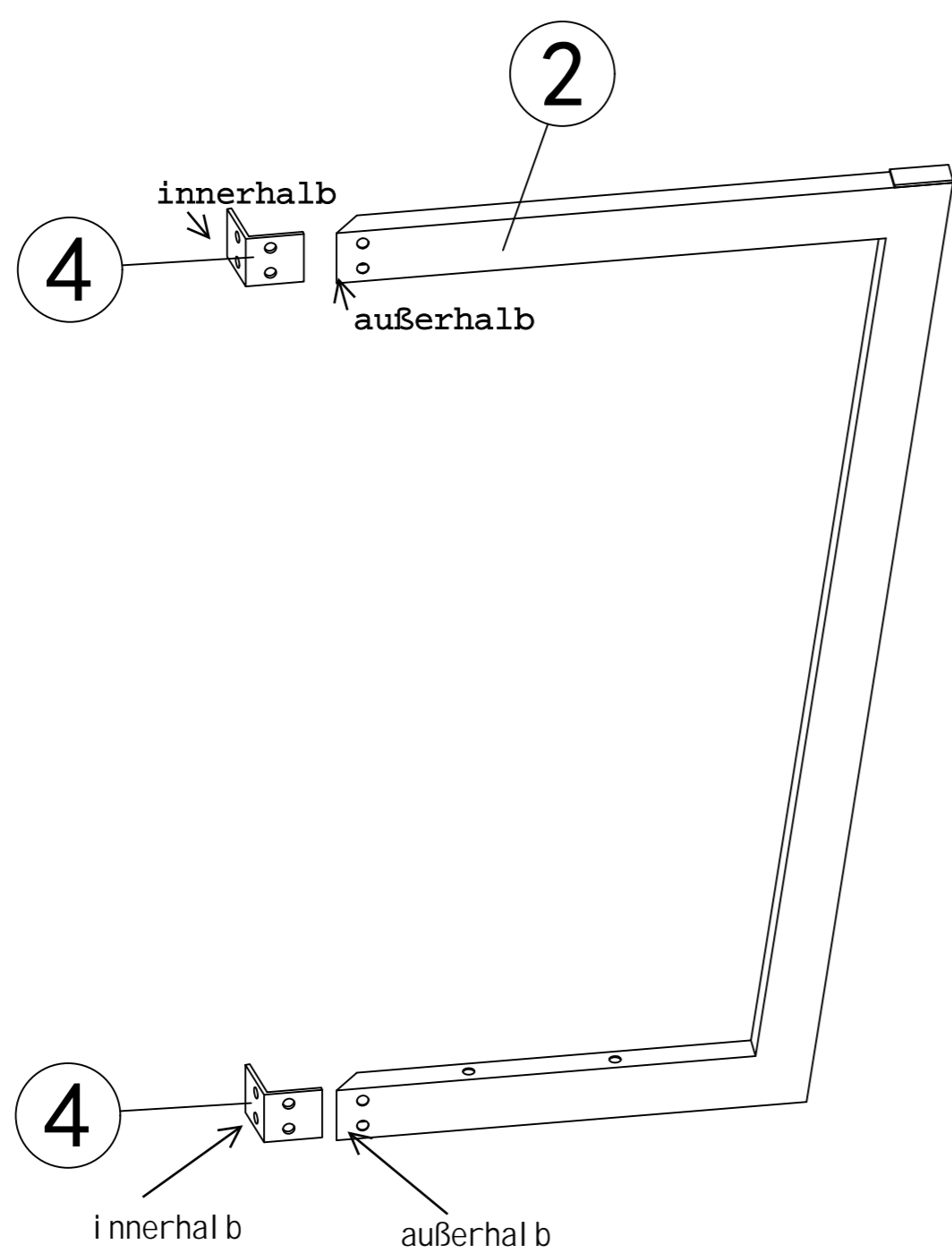
x1

D

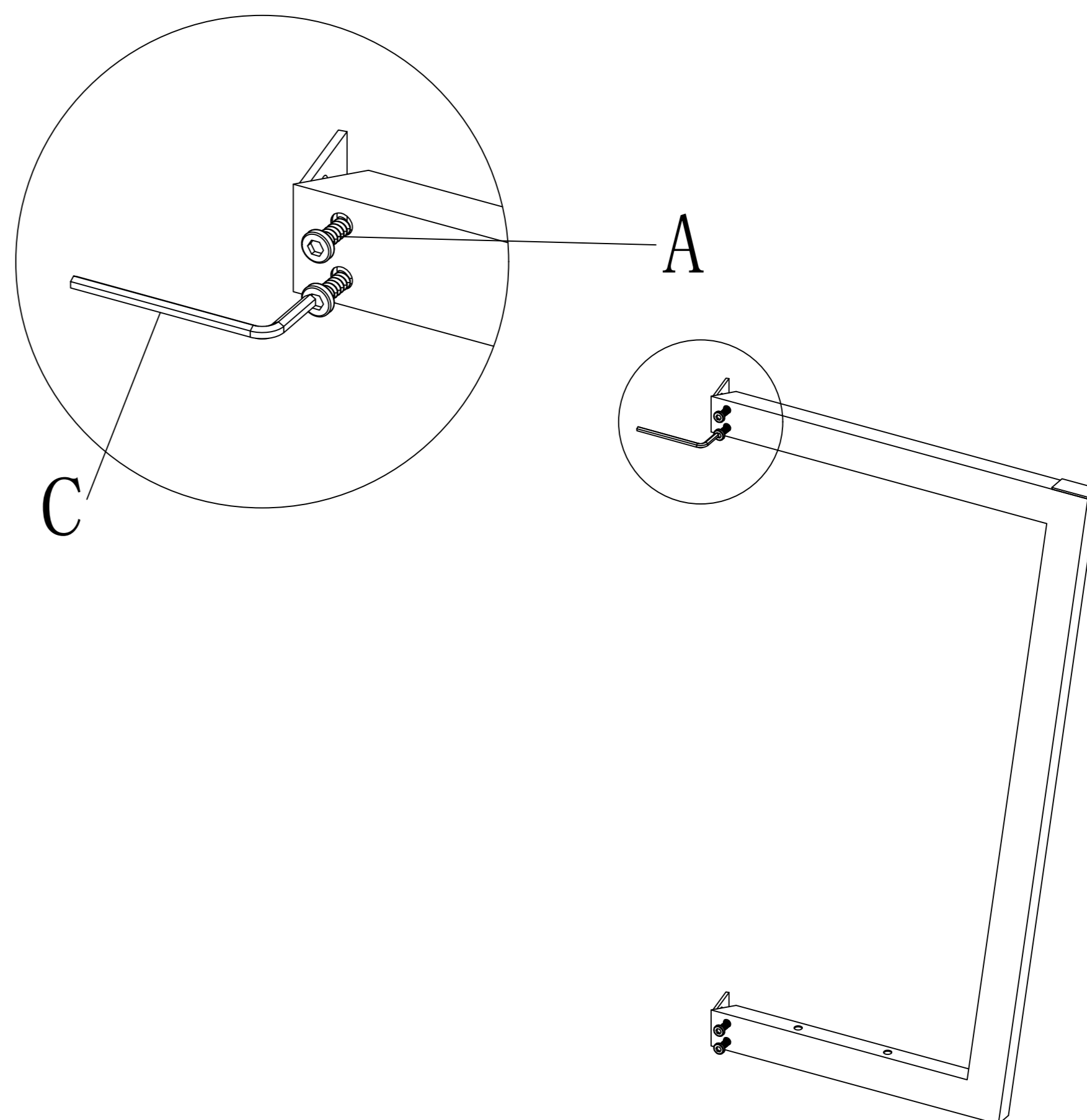
E

F

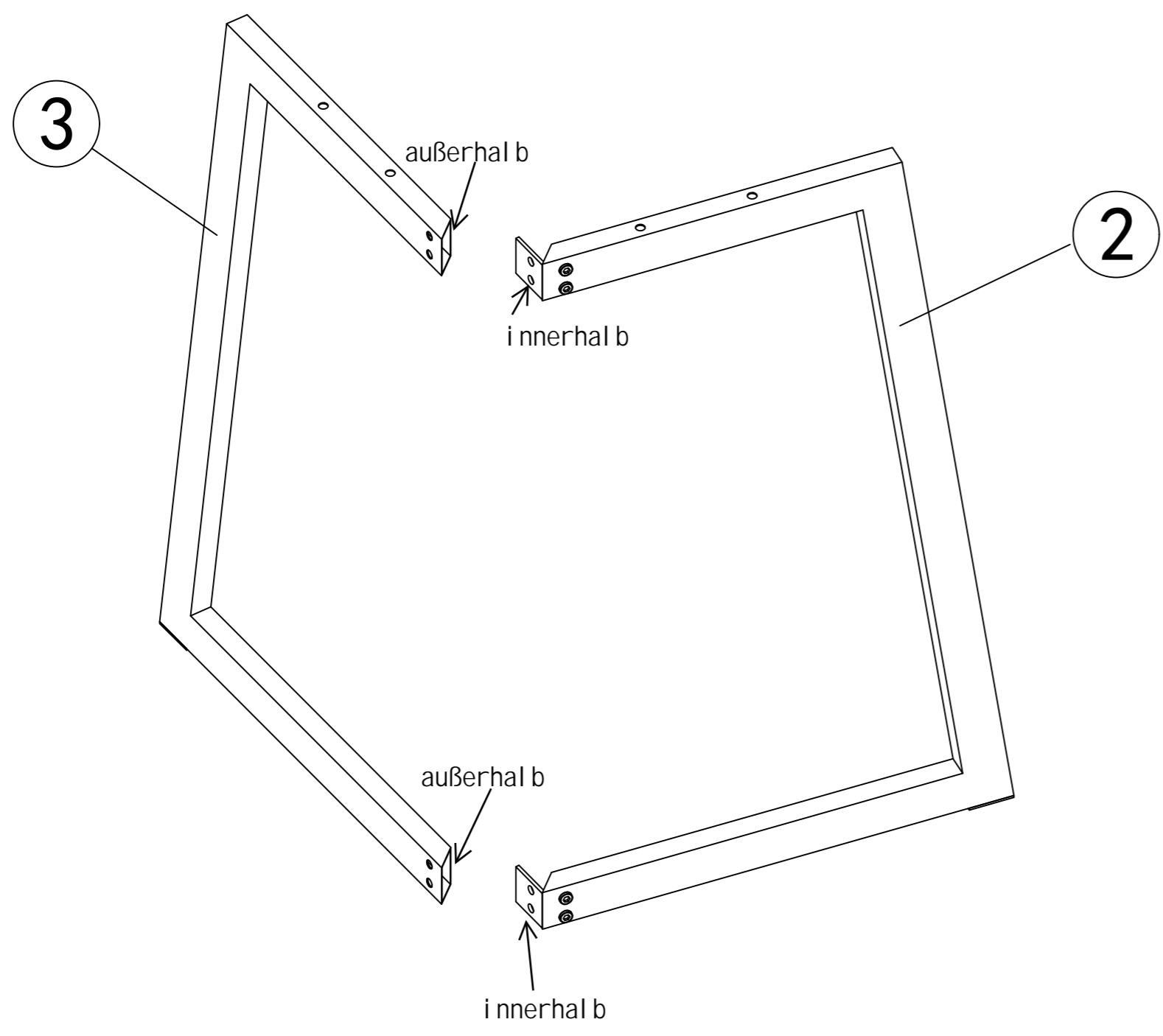
### STEP 1



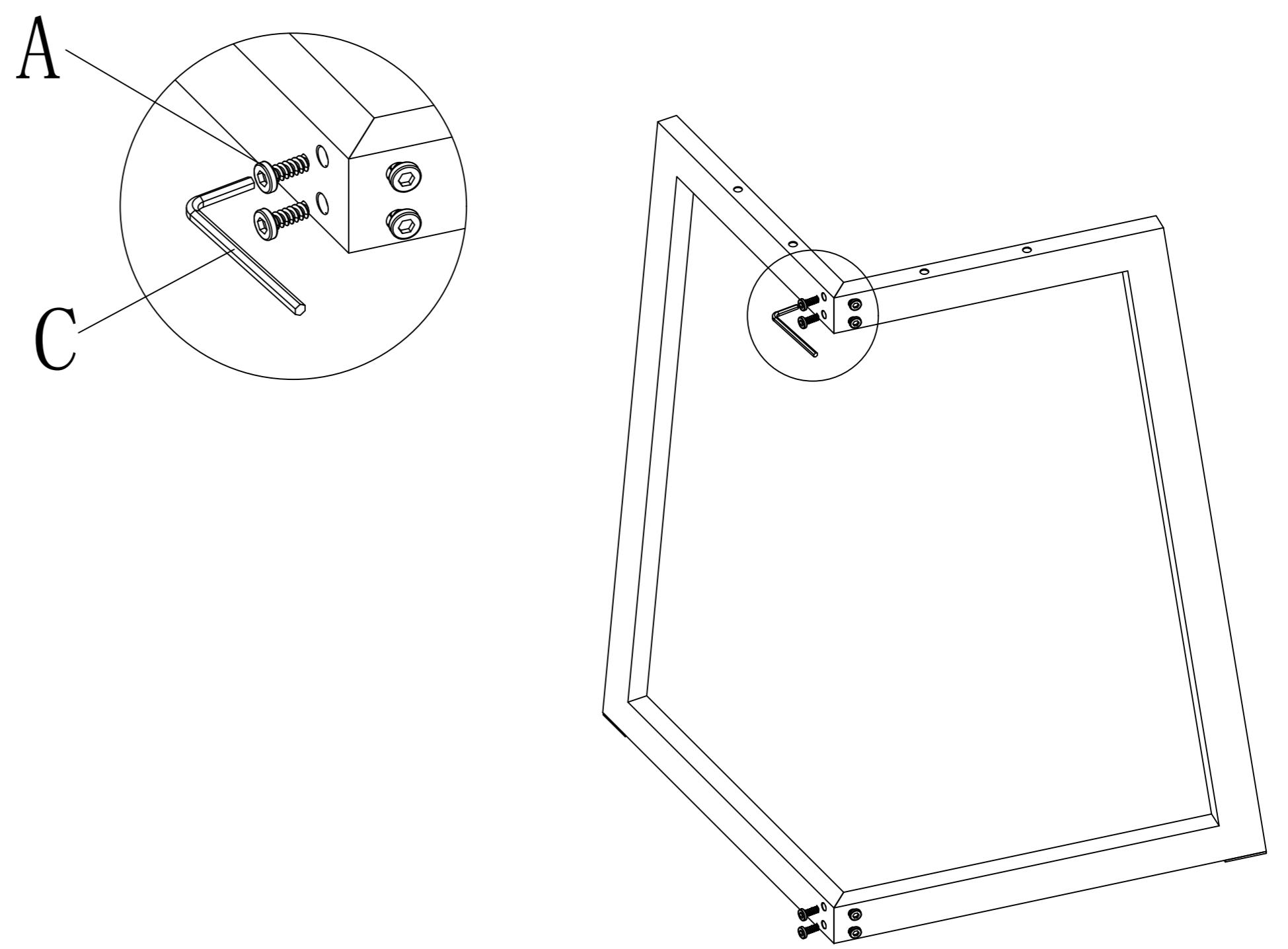
### STEP 2



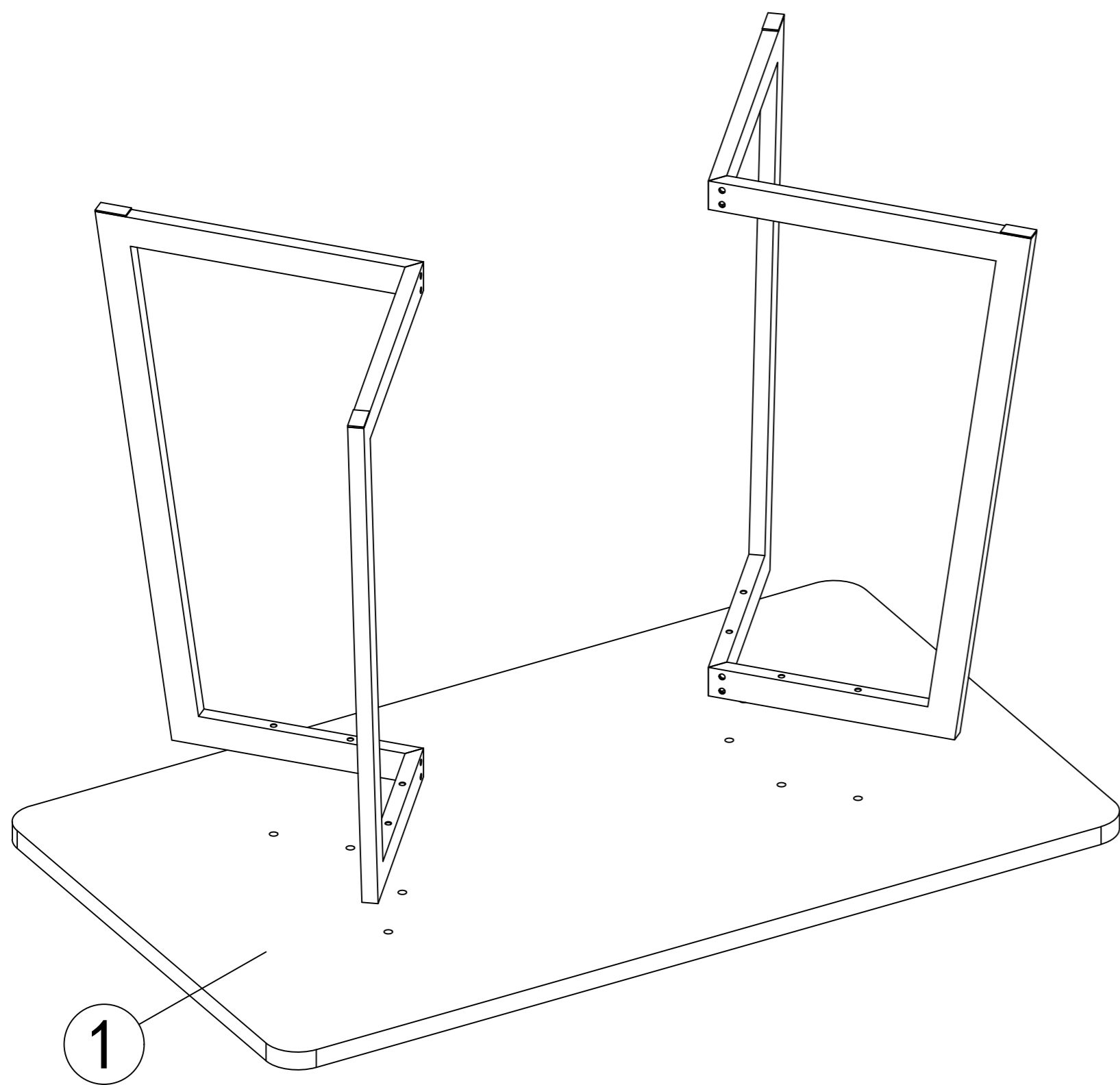
### STEP 3



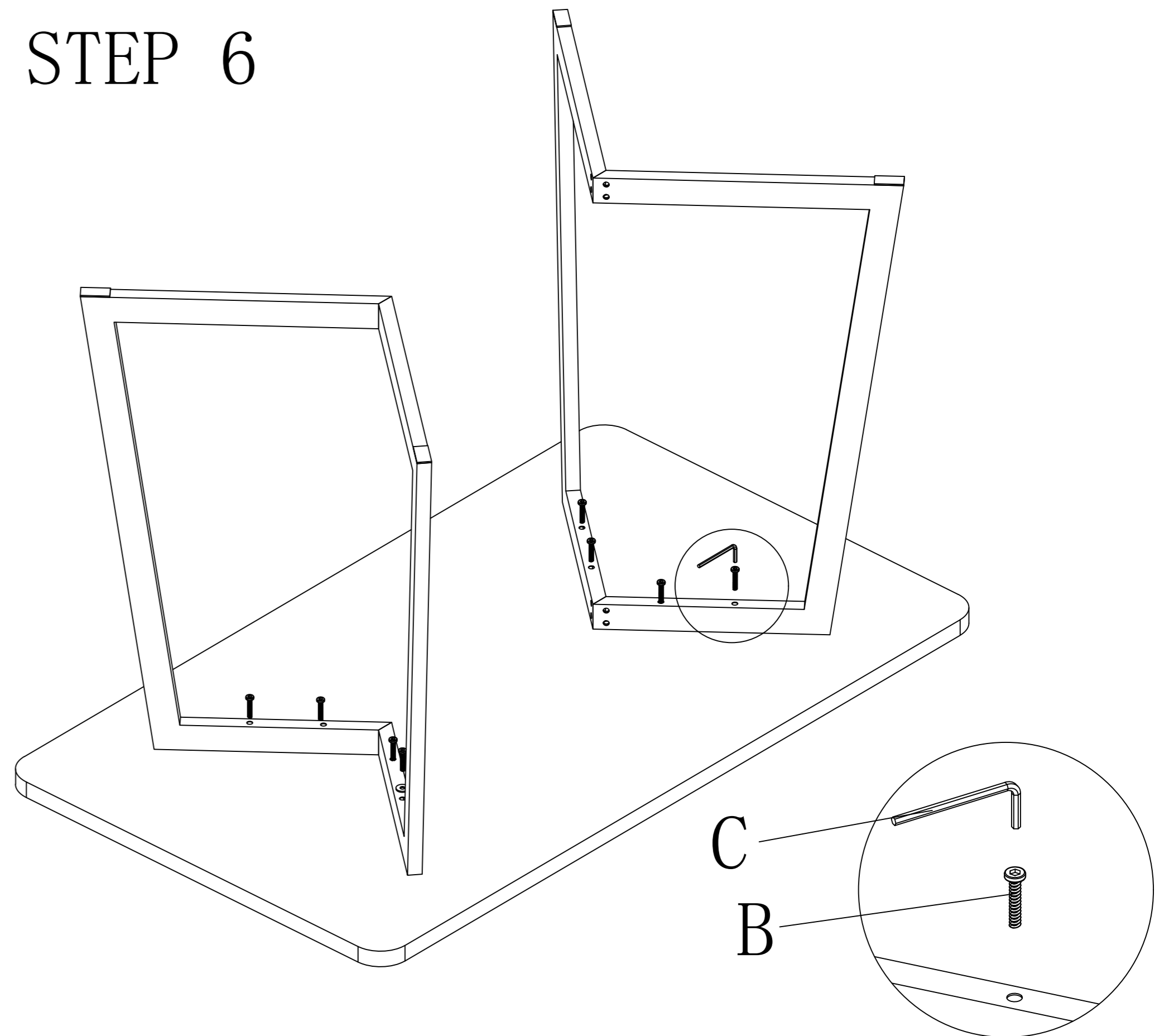
### STEP 4



### STEP 5



### STEP 6



### STEP 7

