


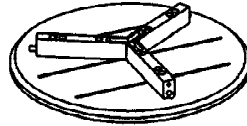
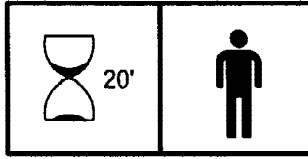


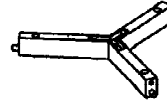
6732

LIST OF HARDWARE

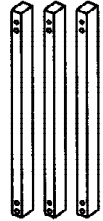
No.	Hardware	Q.ty
①	Threaded pin M6 	18
②	Connector housing 	18
③	Dowels Ø10x30 	18



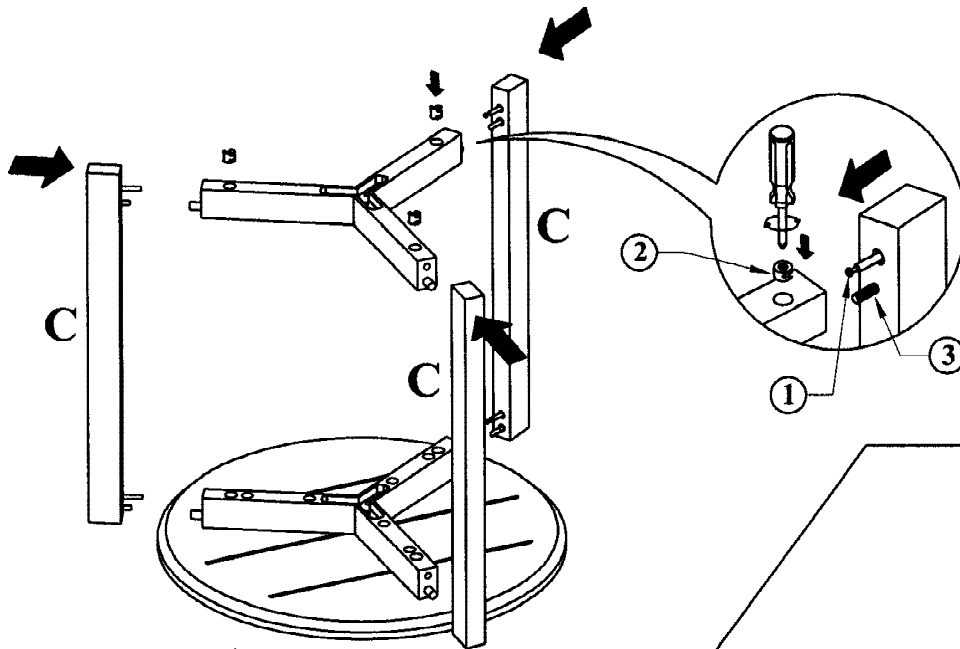
A1 x 1
A2 x 1
A3 x 1



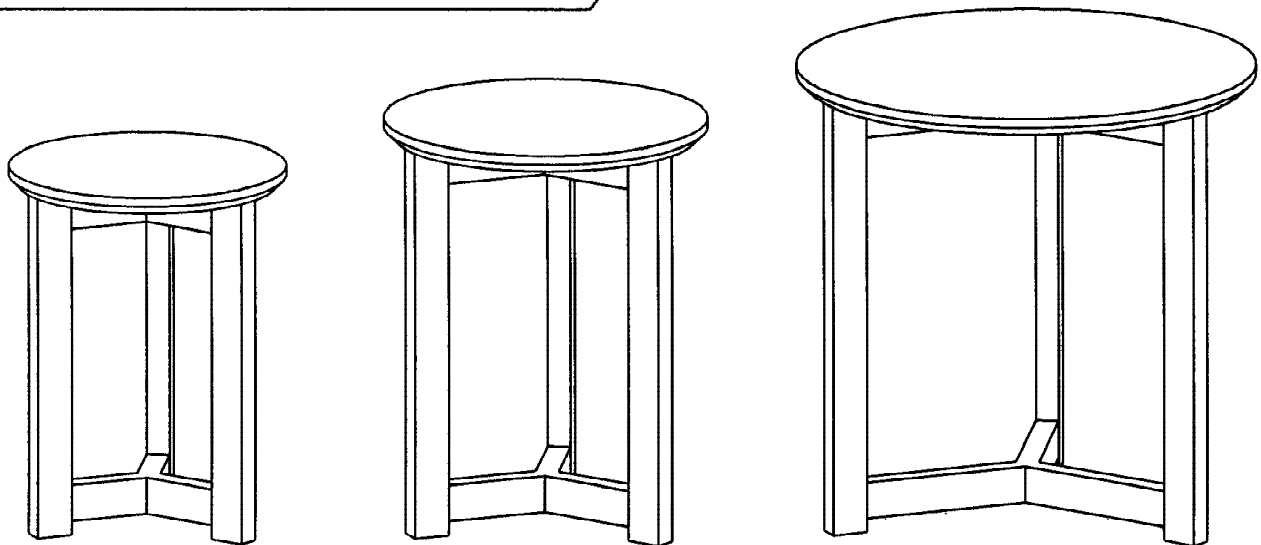
B1 x 1
B2 x 1
B3 x 1



C1 x 3
C2 x 3
C3 x 3



STEP 1



FINISHED