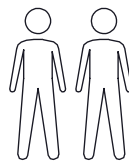
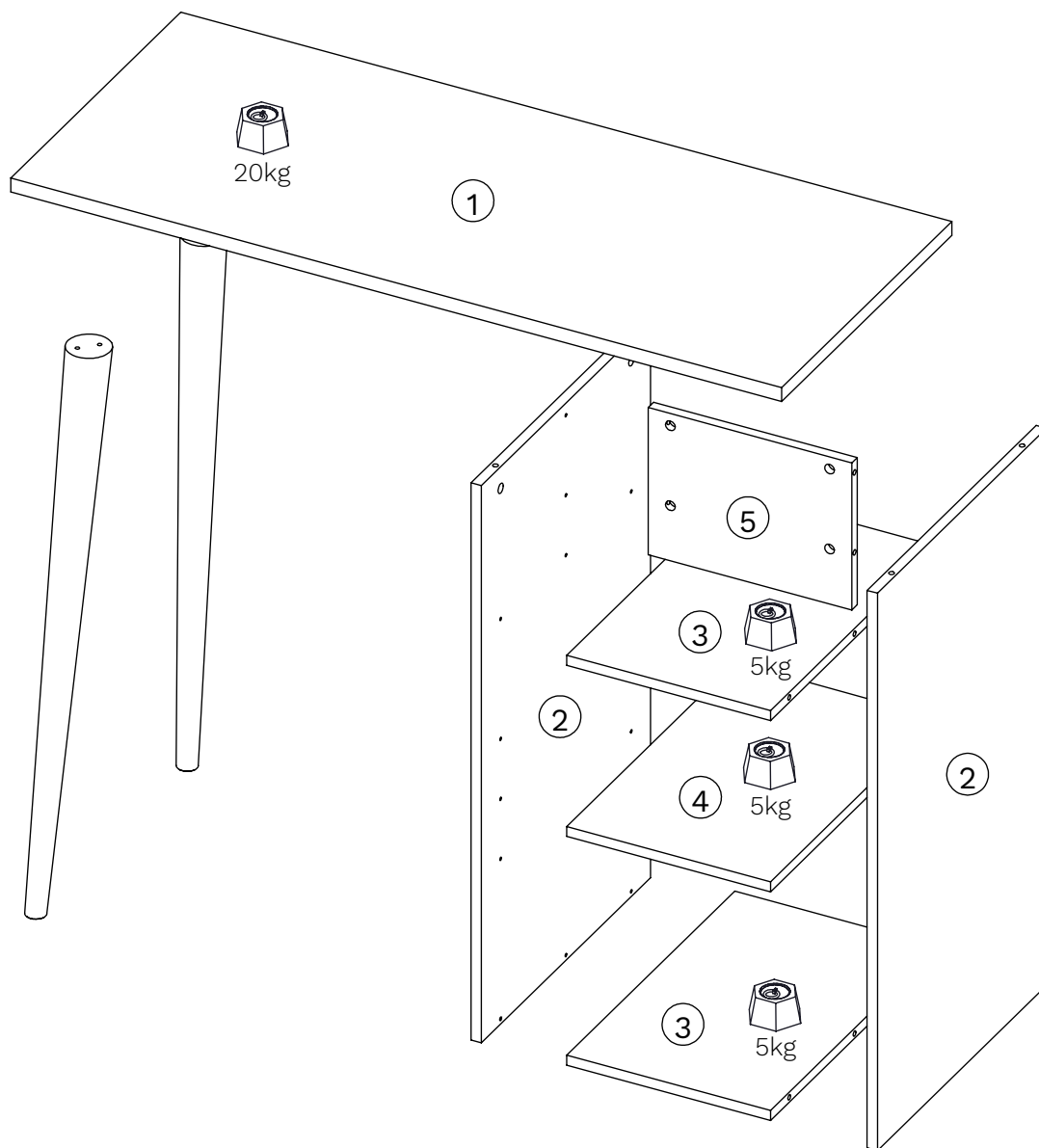



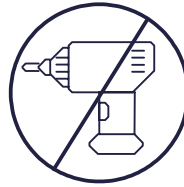
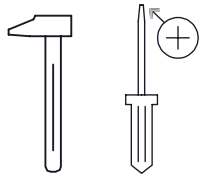
0:45



x 2



○	x	mm	
1	1	1196 x 500 x 22	1
2	2	892 x 497 x 16	1
3	2	494 x 316 x 16	1
4	1	494 x 316 x 16	1
5	1	316 x 235,5 x 16	1



AA x20



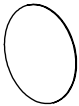
BA x20



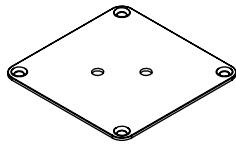
Ø6,3x19mm  
FD x8



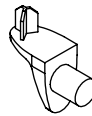
Ø7x35mm  
CF x4



EDC x20



SH x2



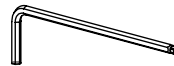
DDB x4



RK x4






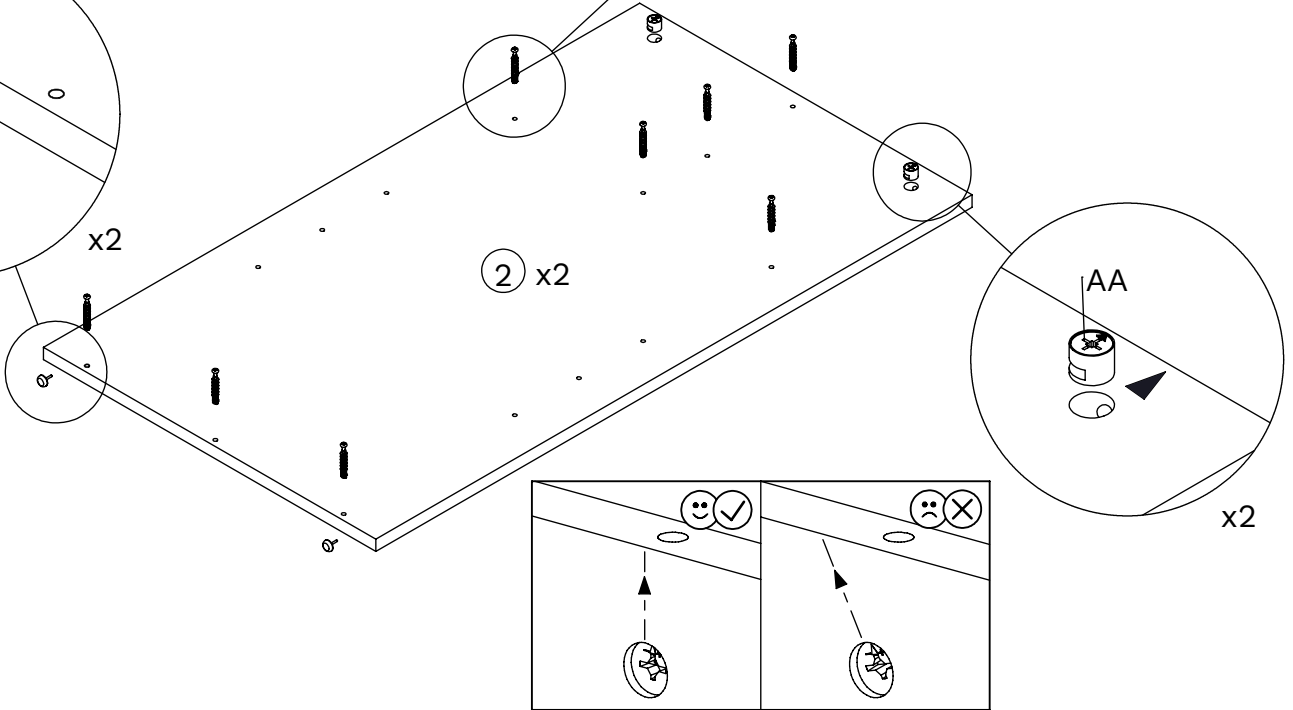
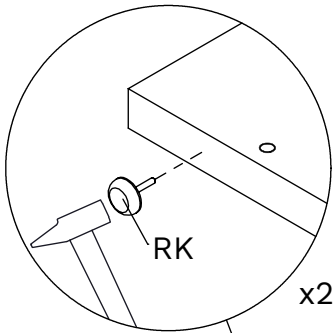
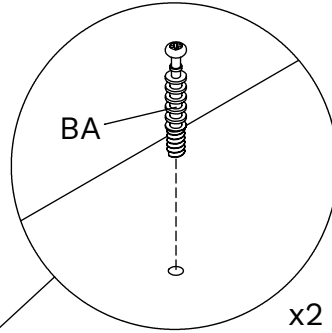
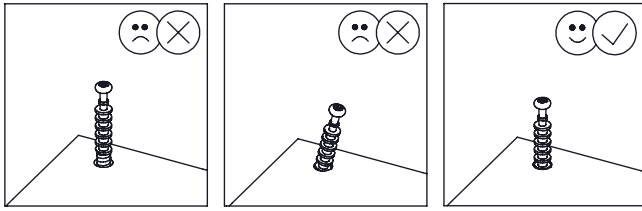
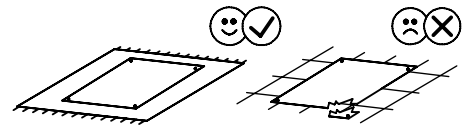
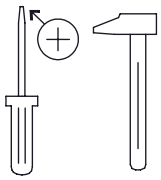
RFD x2



CLE x1

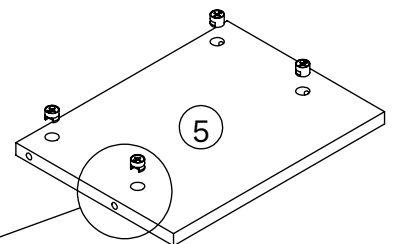
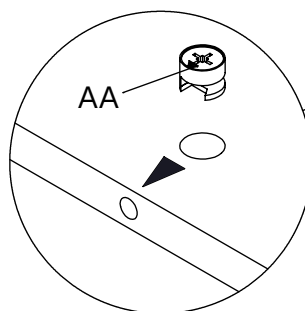
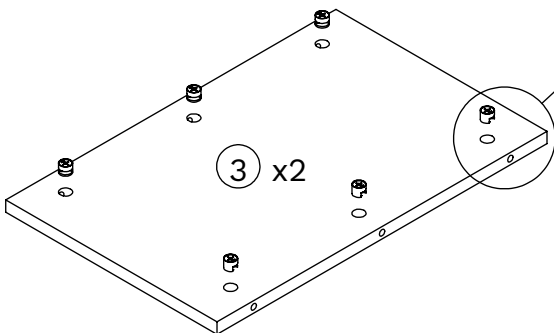
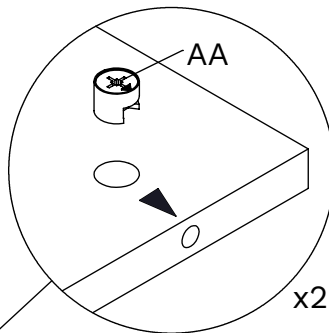
1


AA x4	BA x16	RK x4
		

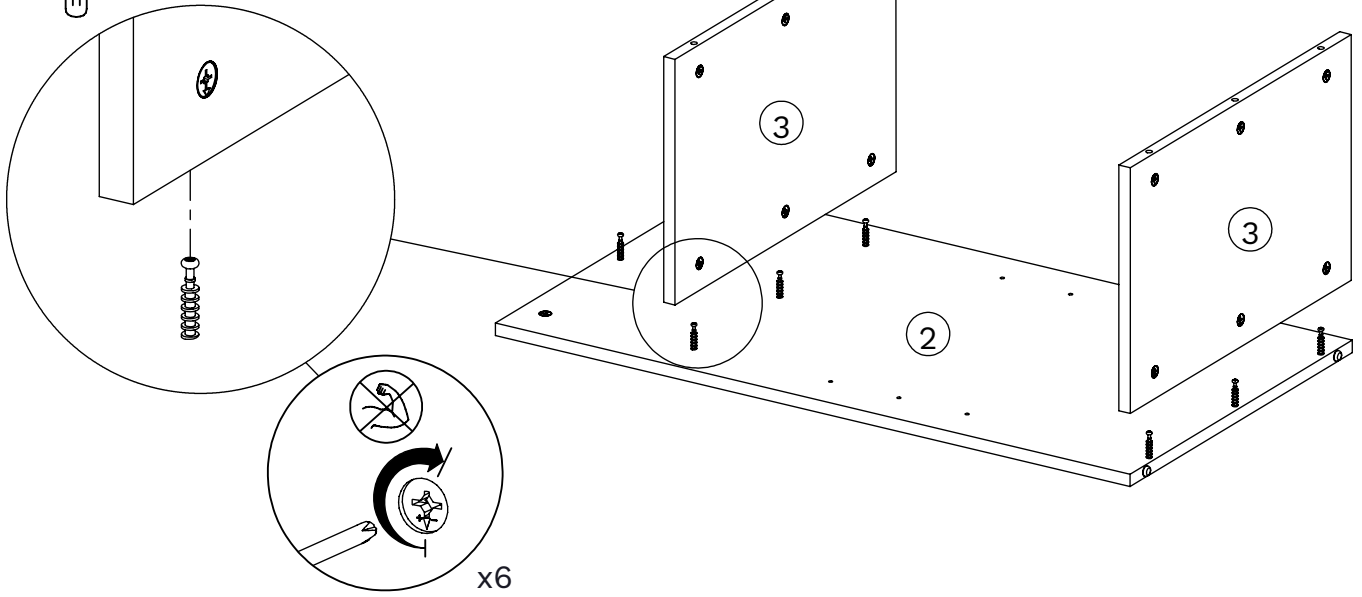



2

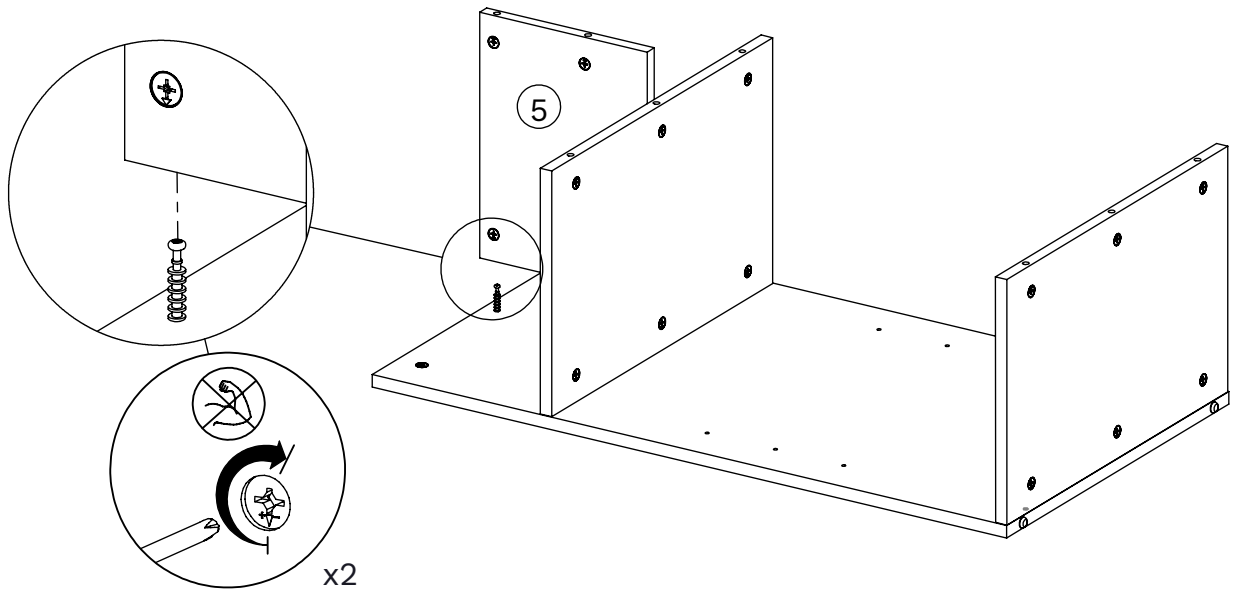
AA x16





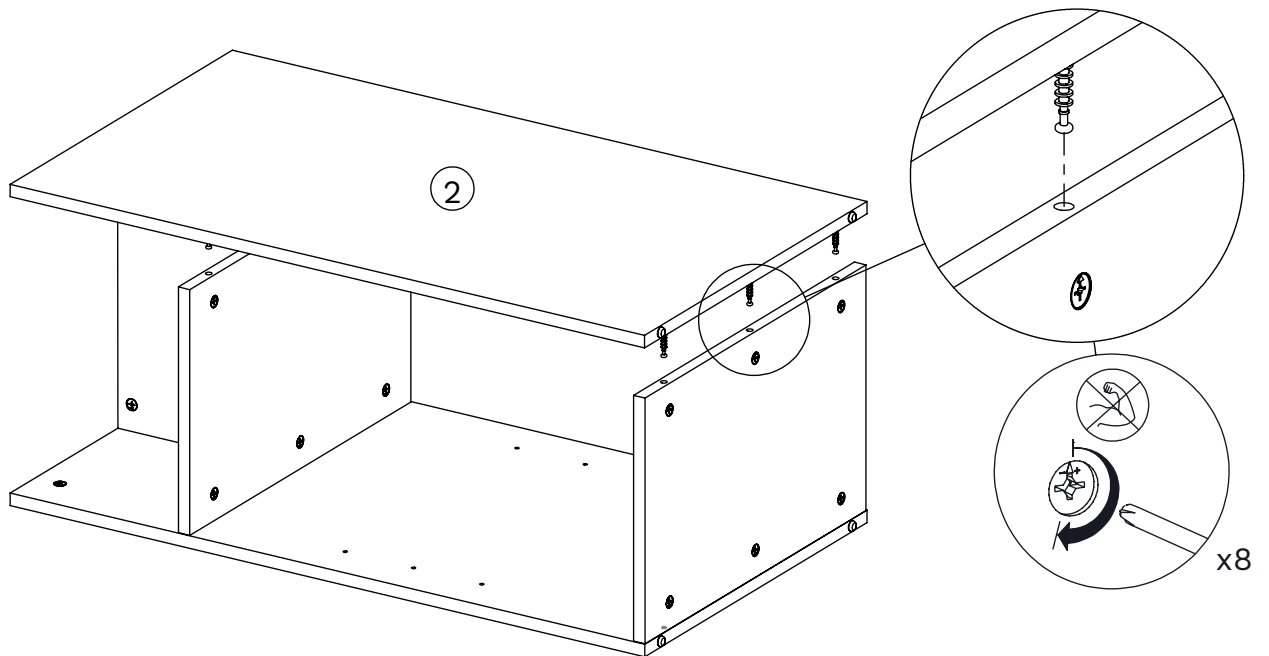
**3** 



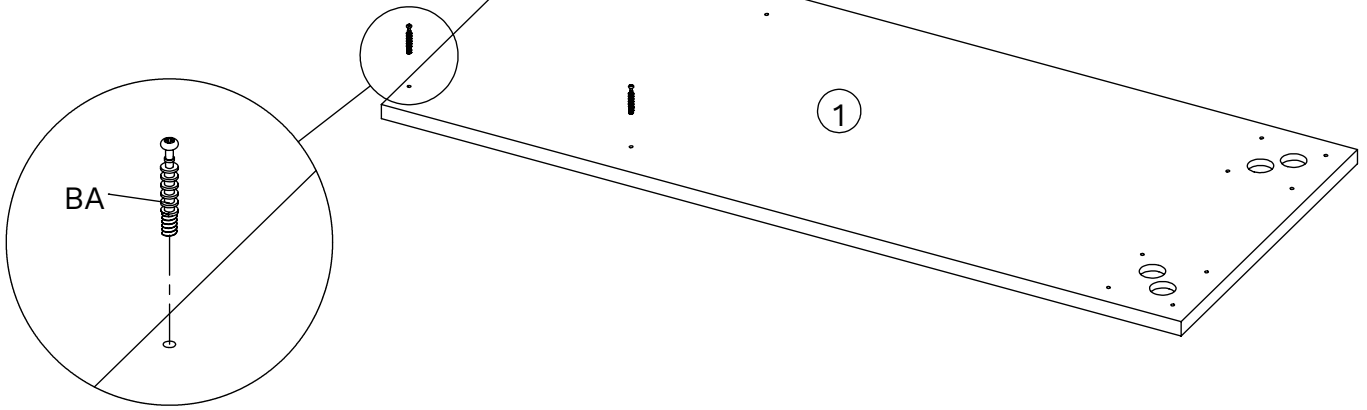
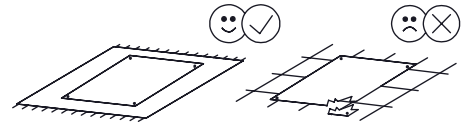
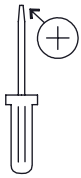
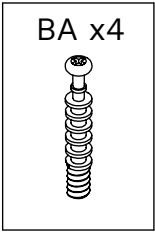
**4** 



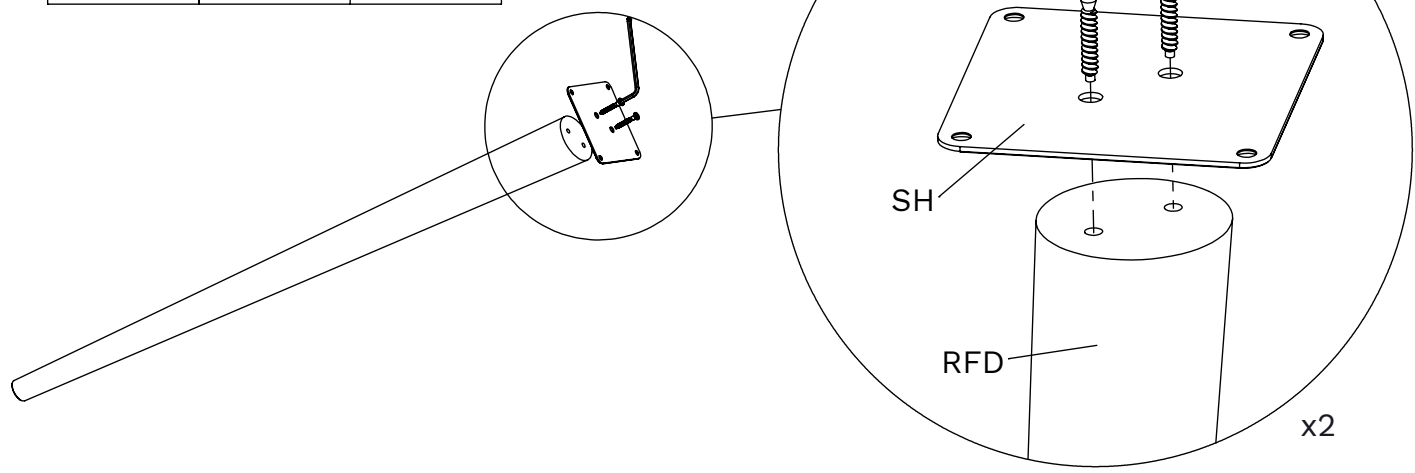
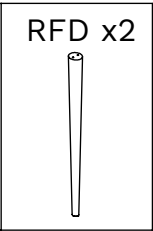
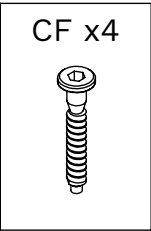
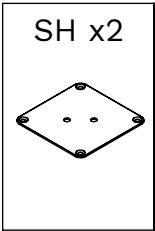
**5** 



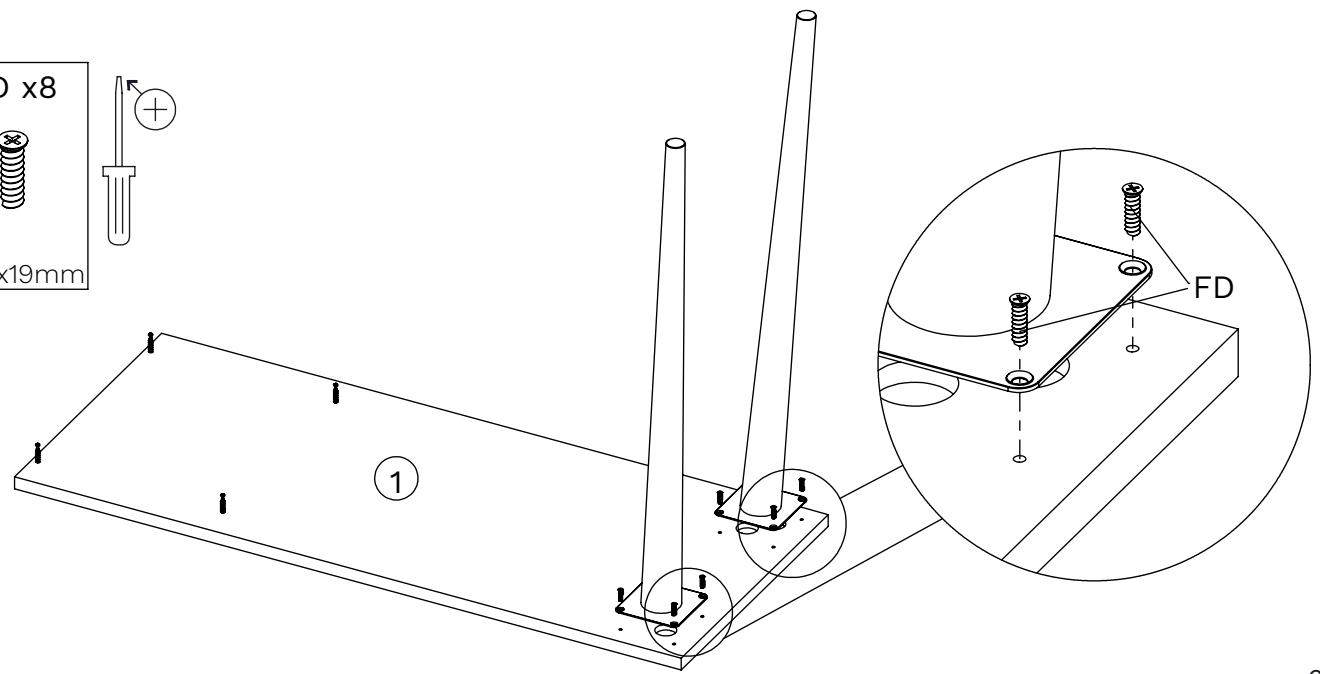
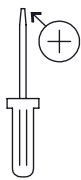
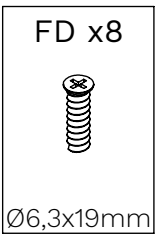
6



7

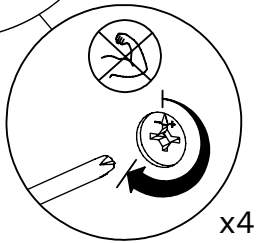
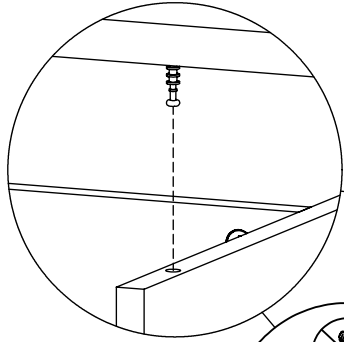
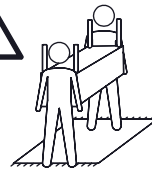
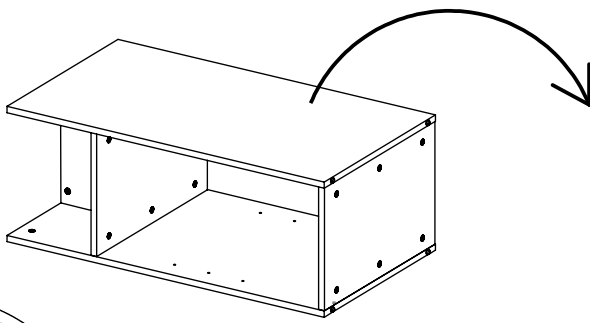
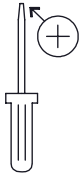


8

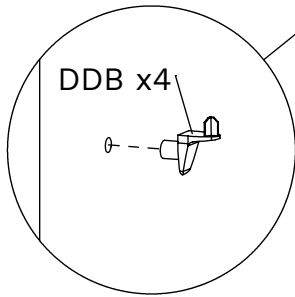


9

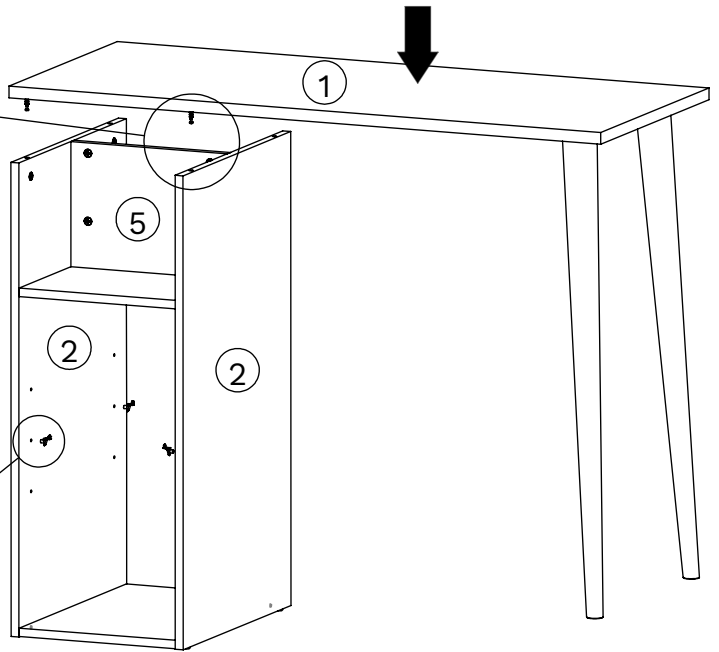
DDB x4



x4

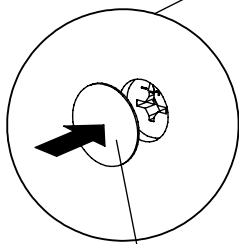


DDB x4



10

EDC x20



EDC x20

