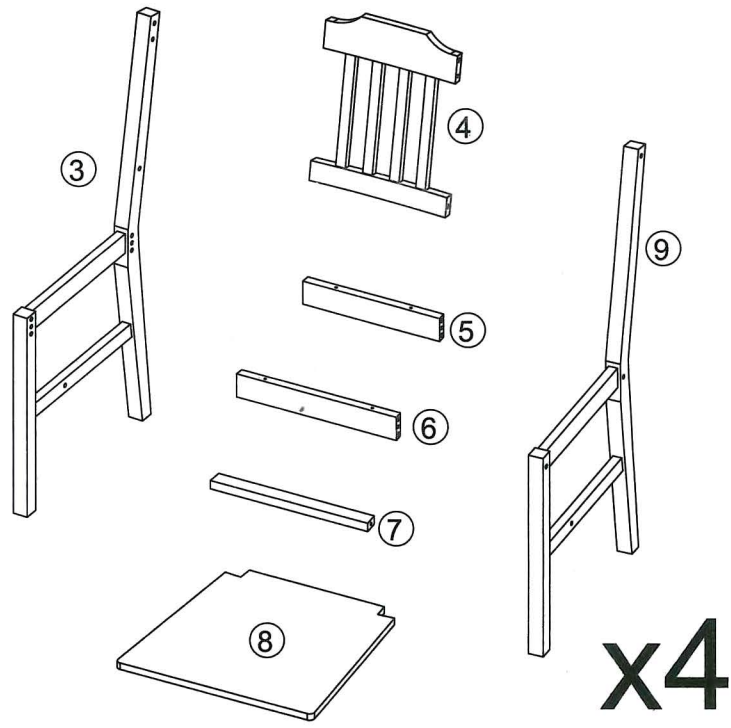
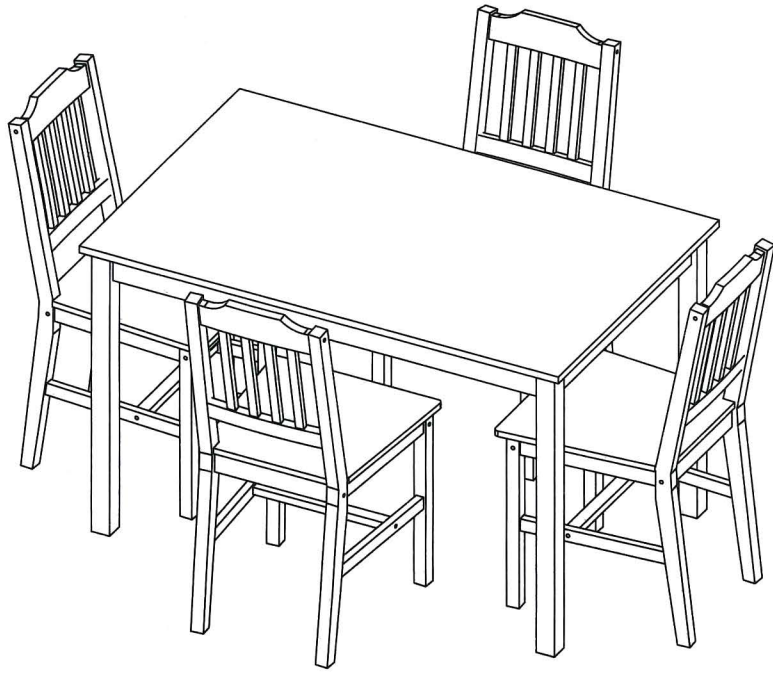



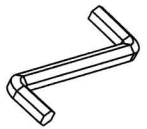
8849




 $\Phi 8 \times 30$
E x 48

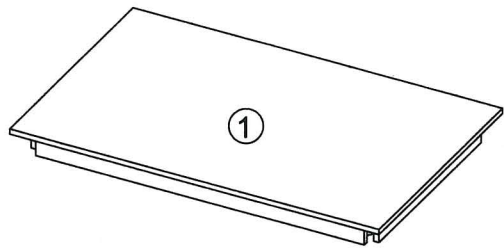
 $\Phi 7 \times 70$
F x 32

 $\Phi 4 \times 40$
G x 16

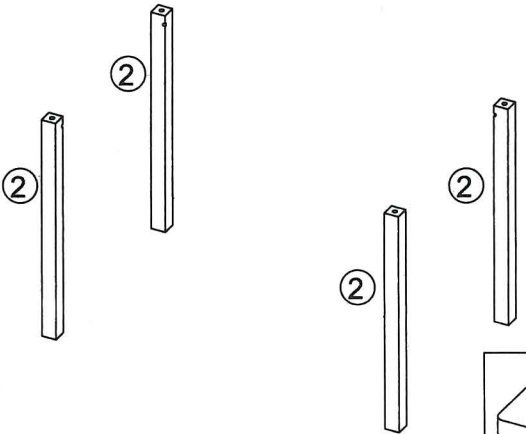
 4MM
H x 1

 J x 16

x4



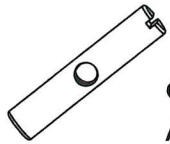
1



2

2


2

 $\Phi 12 \times 60$
A x 4

 M8x58
B x 4

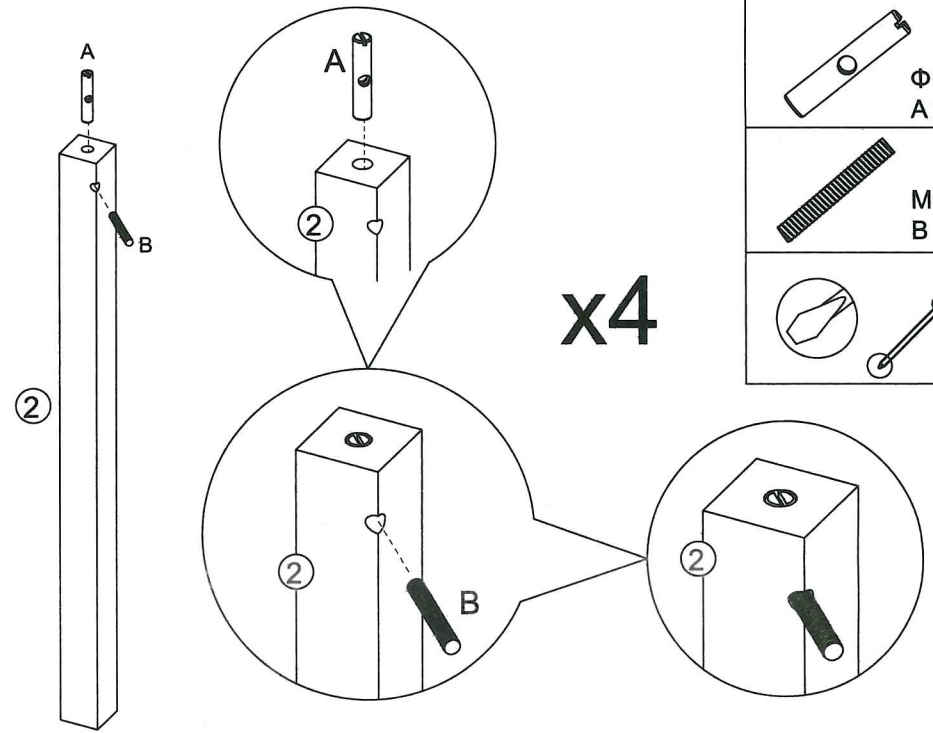
 M8/18
C x 4

 M8/13
D x 4

 J x 4

 13MM
I x 1

1.





2

2

2

x4

 $\Phi 12 \times 60$
A x 4

 M8x58
B x 4

