

# SOJAG

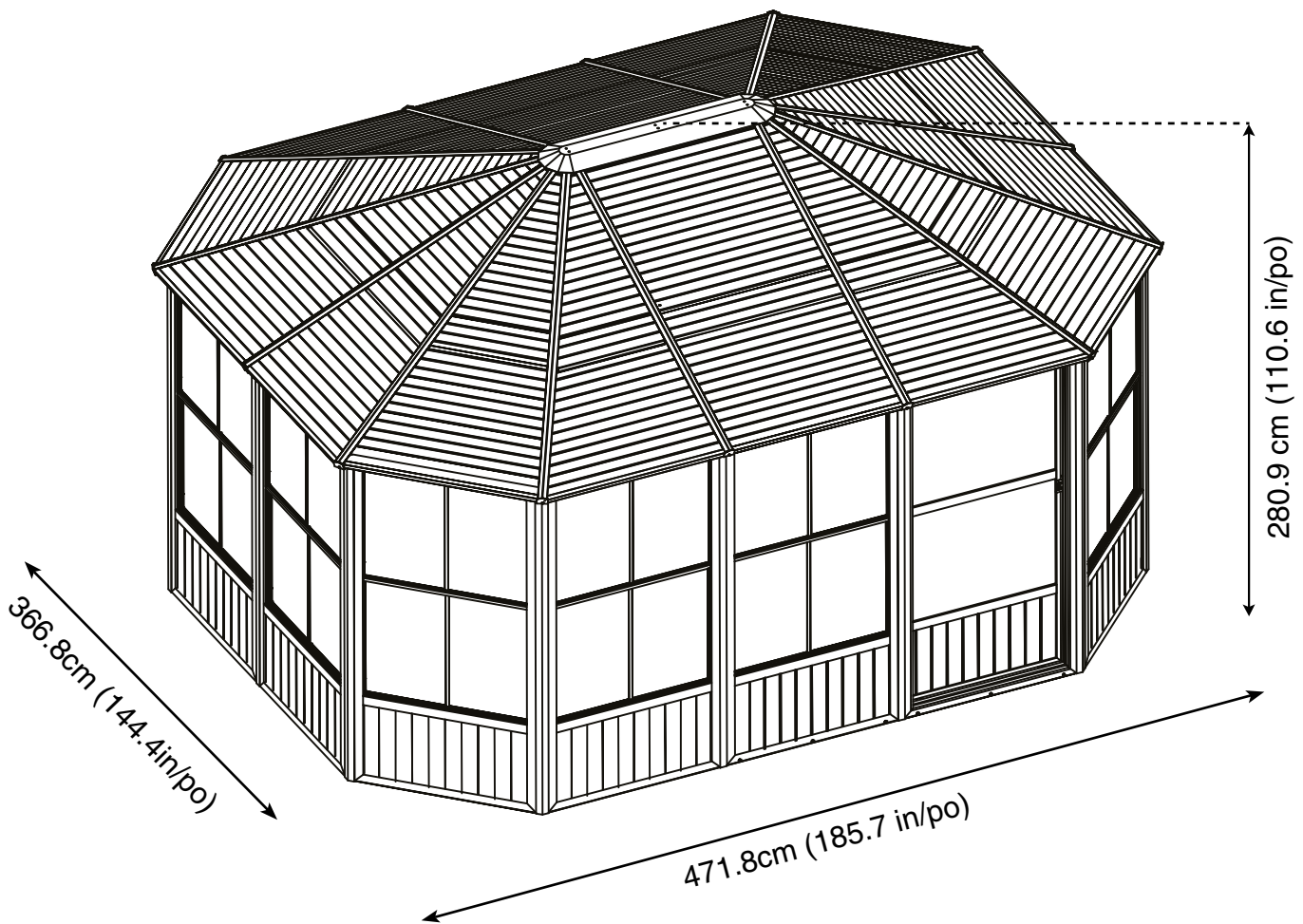


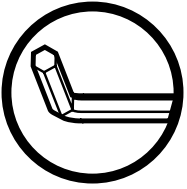
produits saisonniers • seasonal products

Sojag code: 999-8163179

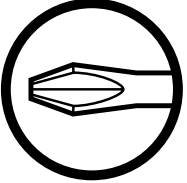
CUP/UPC code: 772830163179

## Assembly Manual / Guide d'assemblage / Manual de ensamblaje / 조립설명서 / Montageanleitung





Use the hex keys in the box. / Utiliser les clés hexagonales fournies dans la boîte. /  
Utilice las llaves hexagonales en la caja. / 상자에 육각 키를 사용 하십시오. / Verwenden Sie  
die Sechskantschlüssel in der Box.



Please use a Phillips screwdriver period / Utiliser un tournevis de type Phillips / Por favor,  
use un destornillador Phillips / 십자 드라이버를 사용 하십시오. / Bitte verwenden Sie einen  
Kreuzschraubenzieher.



You may need to use a drill for this step. / Cette étape peut nécessiter l'utilisation  
d'une perceuse. / puede que tenga que utilizar un taladro para este paso. /  
이 단계에선 드릴을 사용해야 할 수도 있습니다. / Für diesen Schritt können Sie einen  
Bohrer verwenden.



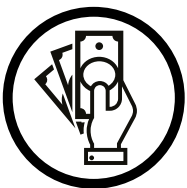
Wearing protective gloves is recommended. / Le port de gants de protection est recommandé /  
El uso de guantes de protección se recomienda / 보호 장갑을 착용 하는 것이 좋습니다. /  
Das Tragen von Schutzhandschuhen wird empfohlen.



Two or more people are required at this stage. / Deux personnes ou plus sont nécessaires à cette  
étape. / Dos o más personas se requieren en esta etapa. / 이 단계에서는 두 명 이상이 필요합니다. /  
Für diesen Bauschritt sind 2 oder mehr Personen erforderlich.

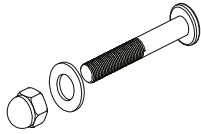


Do not screw firmly for now. / Ne pas visser fermement pour l'instant. / No atornille con  
firmeza por ahora. / 아직 나사를 단단히 조이지 마십시오. / Bitte die Schrauben zum  
jetzigen Zeitpunkt noch nicht fest anziehen.

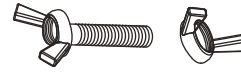


Sold separately / Vendus séparément / vendido en las opciones /  
옵션 판매 / Optional erhältlich

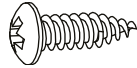
**B6** X 8 (+2)



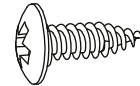
**R** X 2



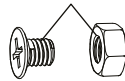
**S** X 28 (+4)



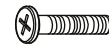
**S1** X 14 (+2)



**T** X 36 (+5)



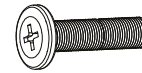
**U** X 70 (+7)



**V** X 64 (+7)



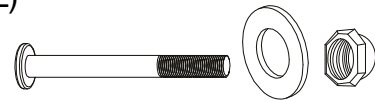
**V1** X 3 (+1)



**V2** X 8 (+2)



**W** X 12 (+2)



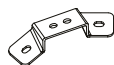
**X** X 12 (+2)



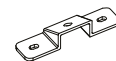
**Y** X 2 (+1)



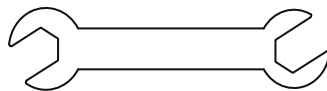
**Z1** X 8

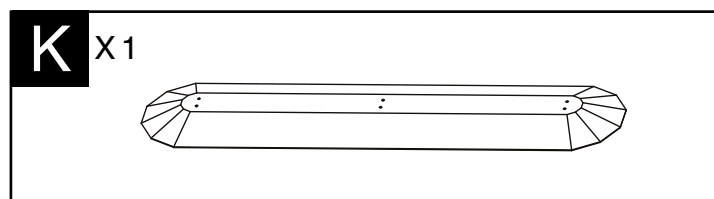
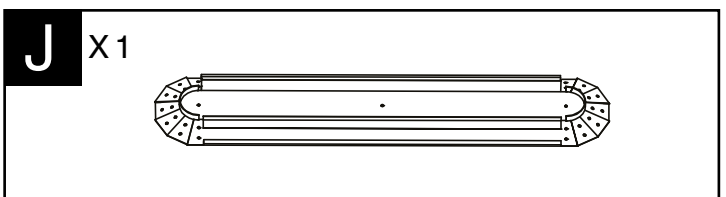
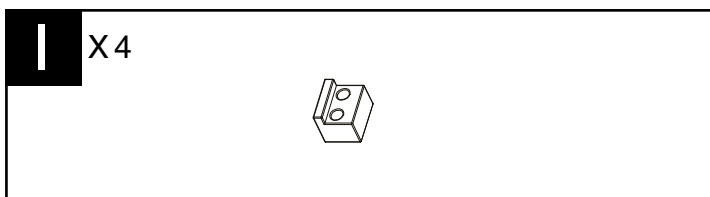
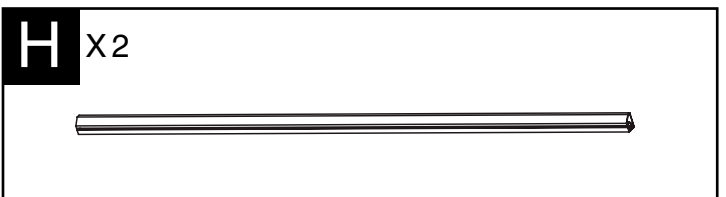
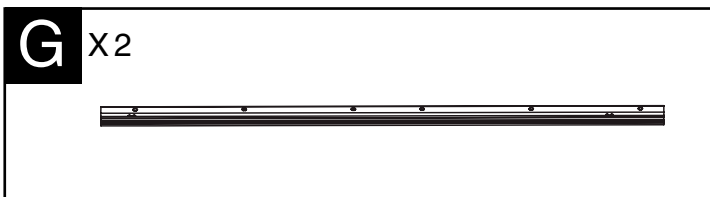
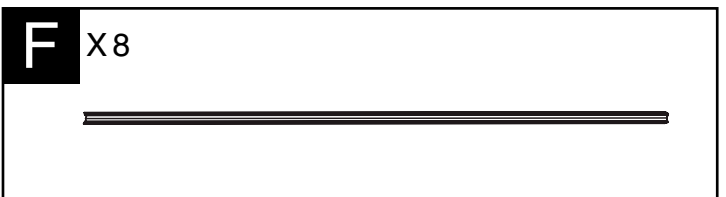
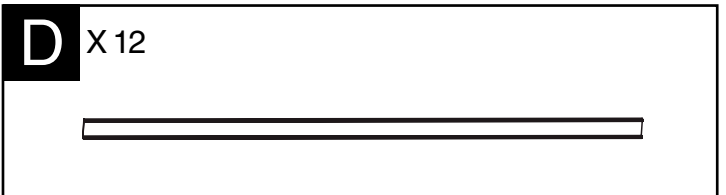
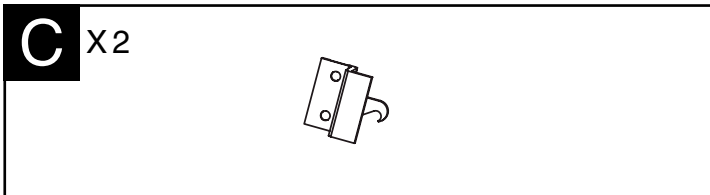
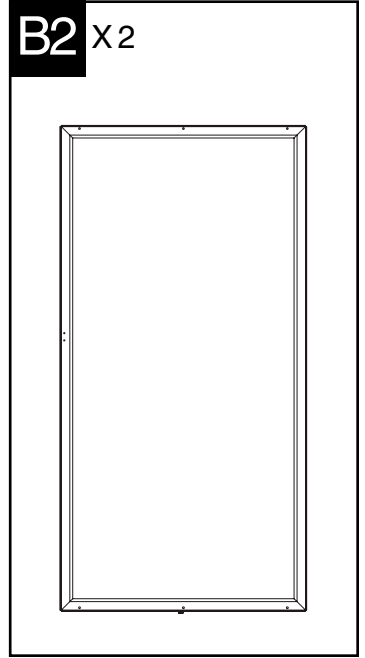
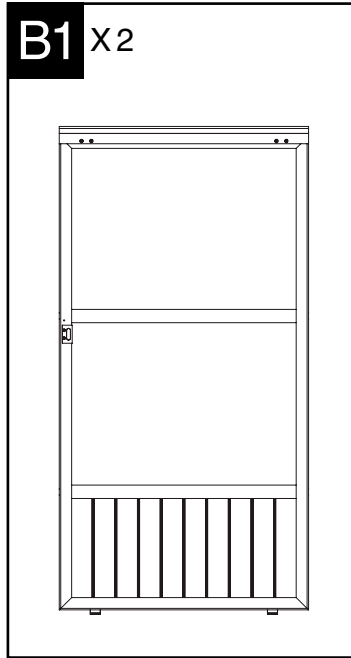
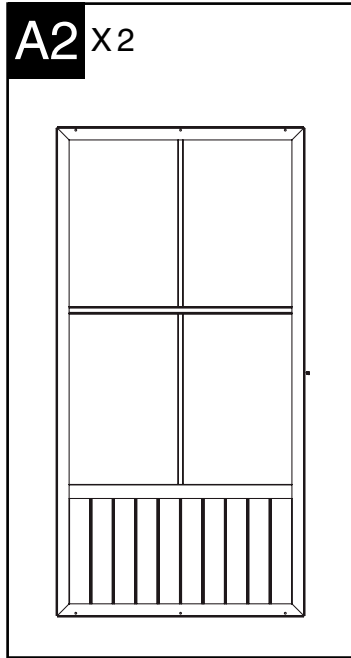
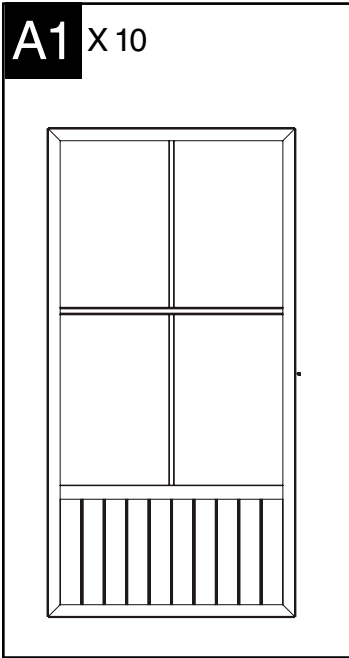


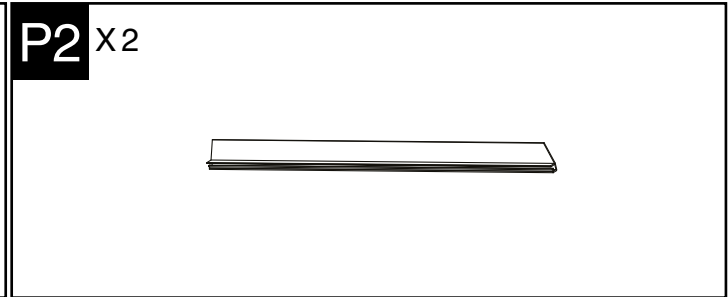
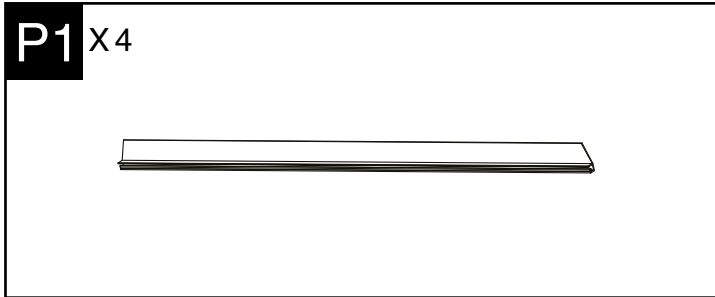
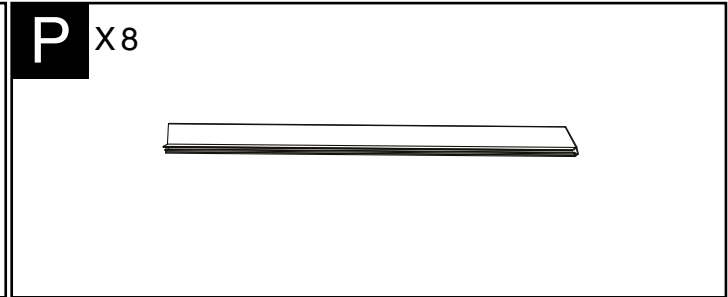
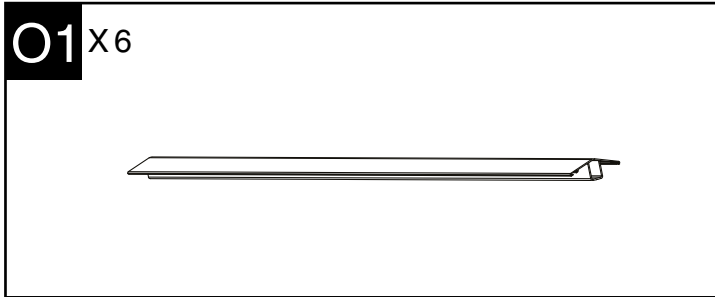
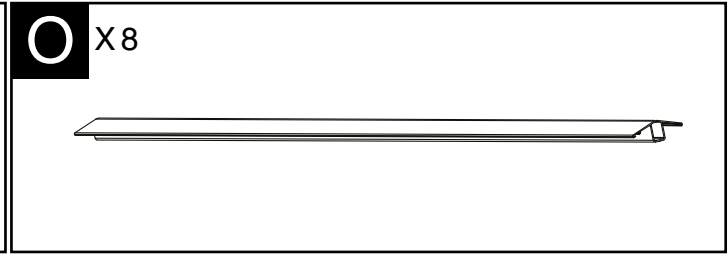
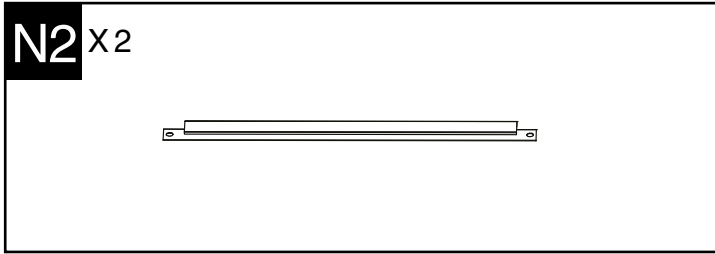
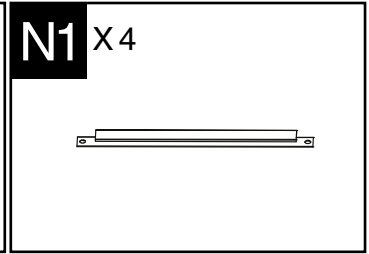
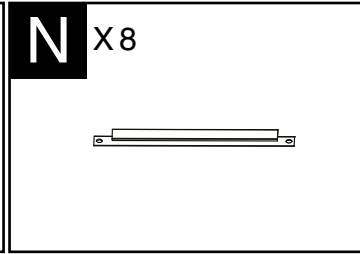
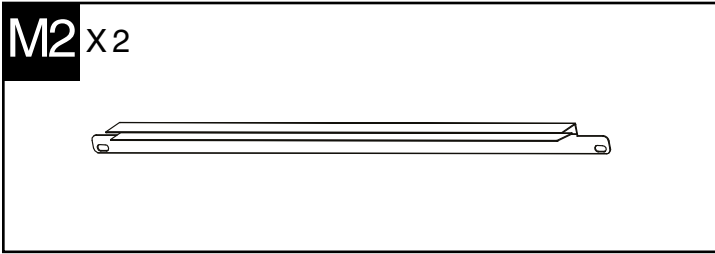
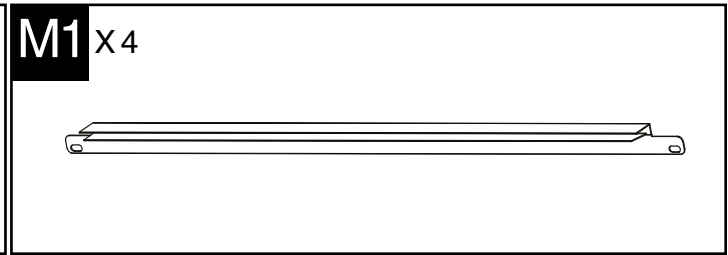
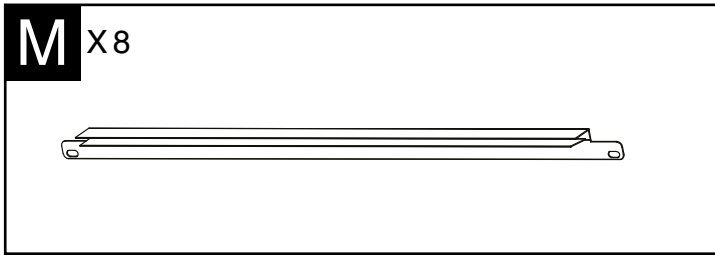
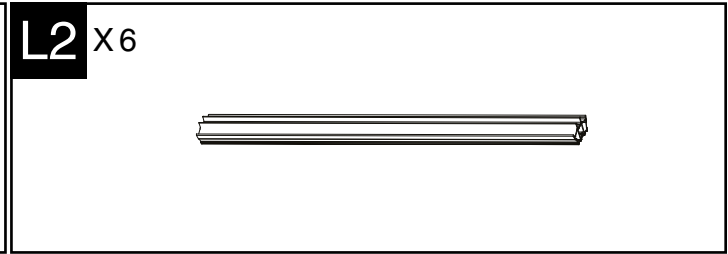
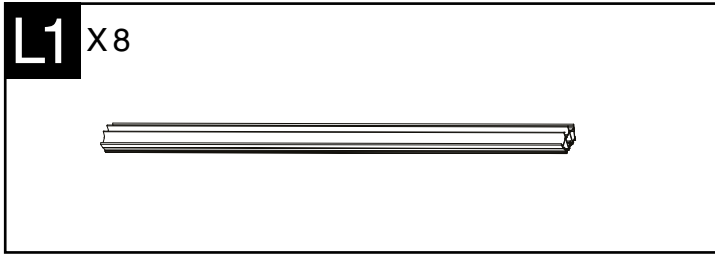
**Z2** X 6




**Z3** X 1



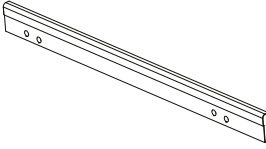




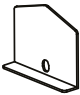
**B5** x4



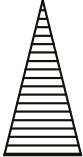
**B7** x2



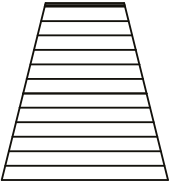
**Q** x14



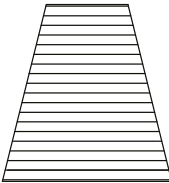
**Qa** x4



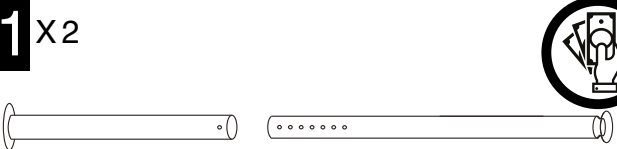
**Qb** x4



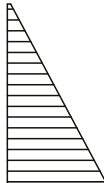
**Qc** x4



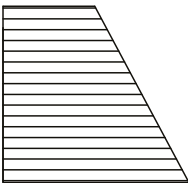
**R1** x2



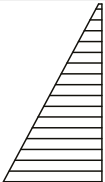
**Ra** x4



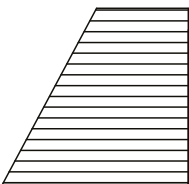
**Rb** x4



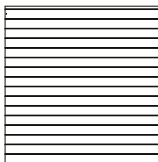
**R1a** x4



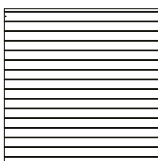
**R1b** x4



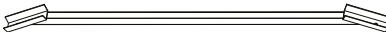
**Sa** x2

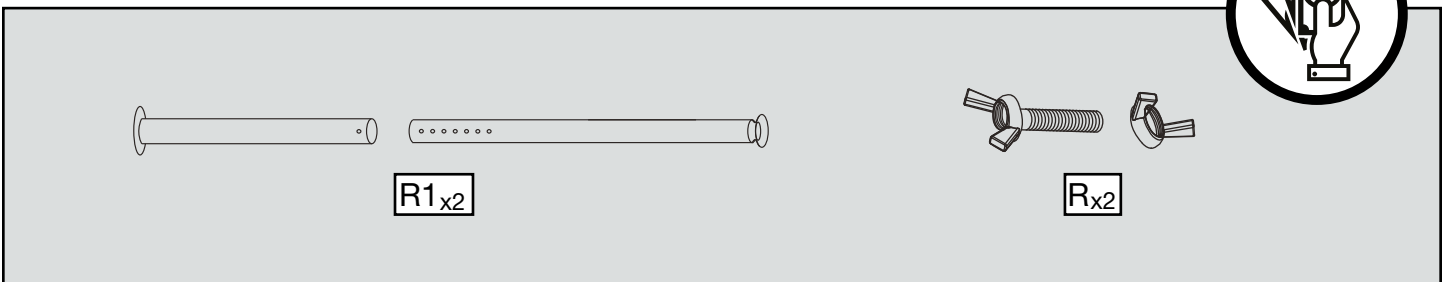
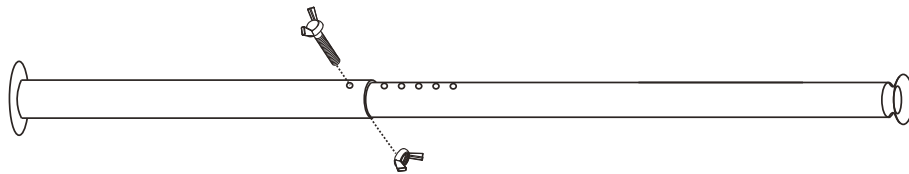
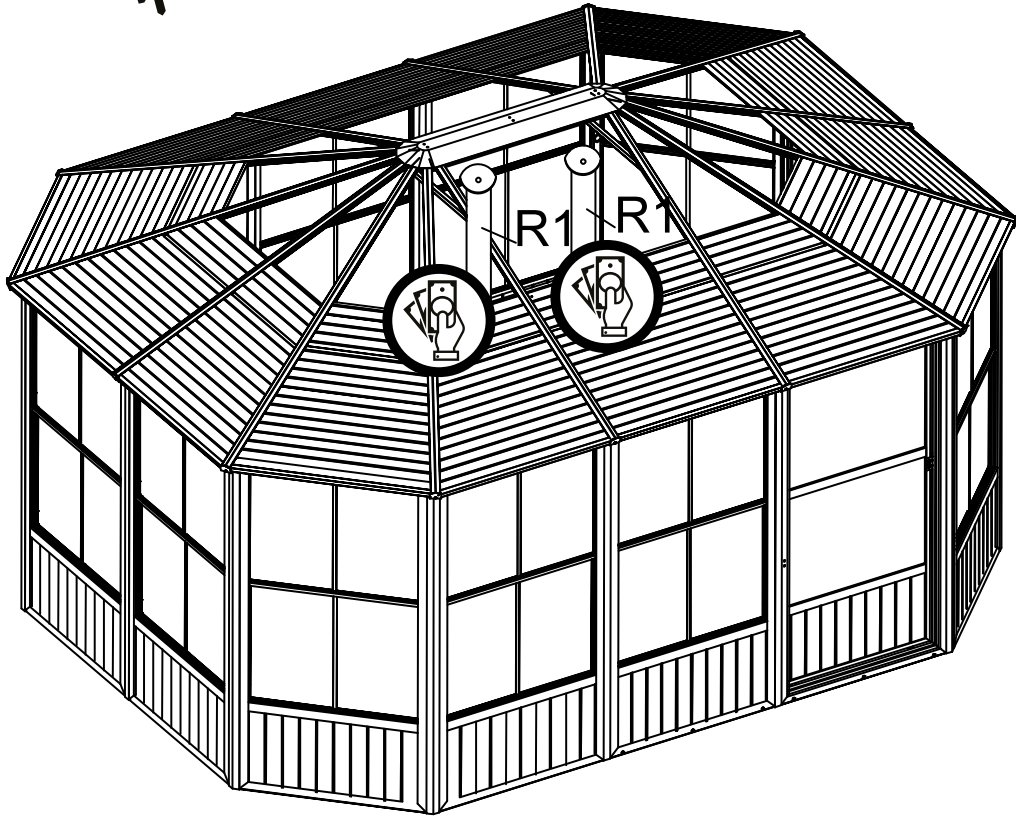
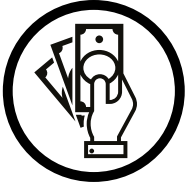


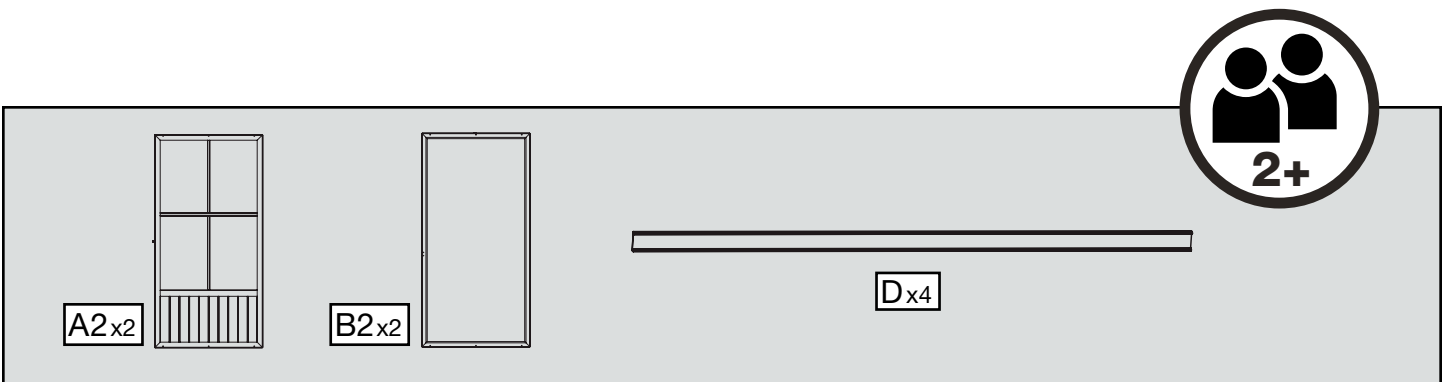
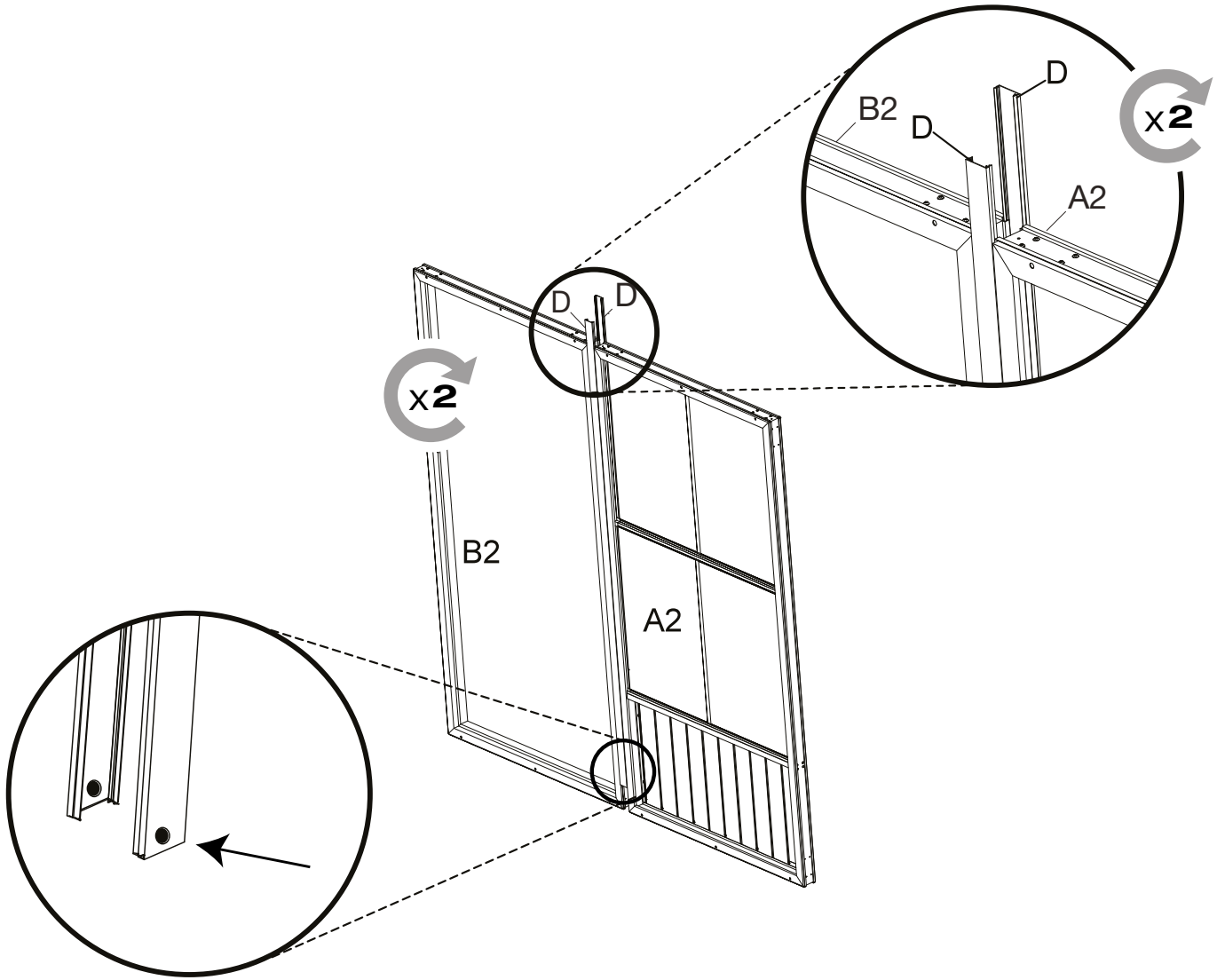
**Sb** x2



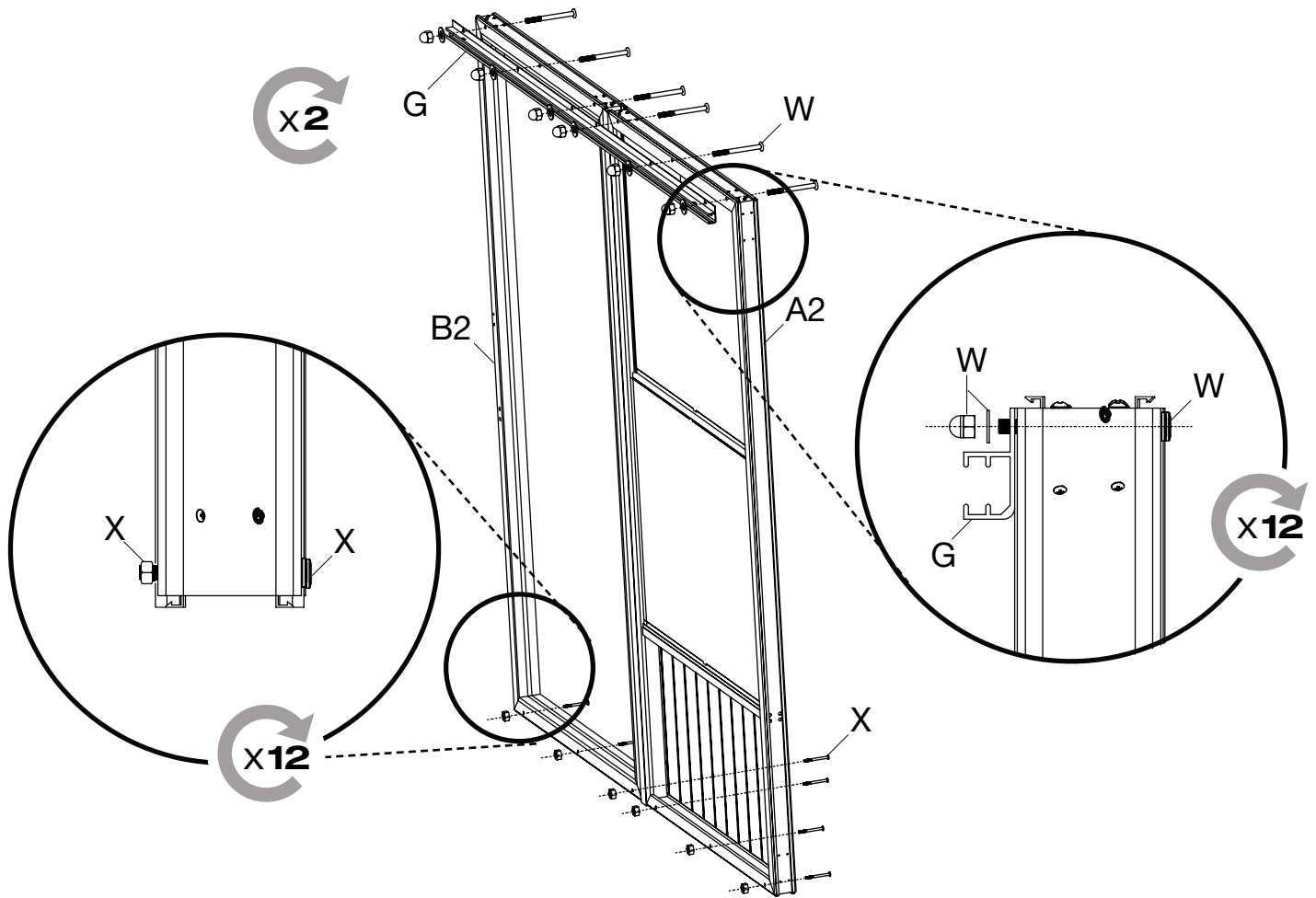
**Z** x2









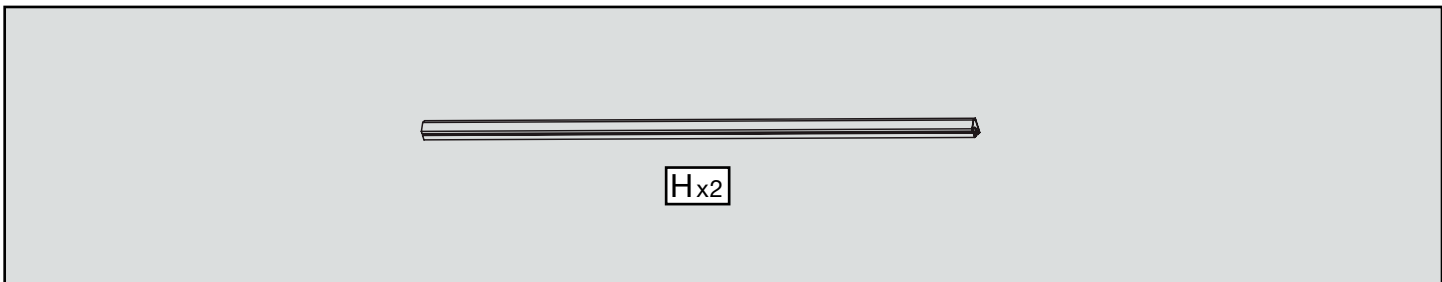
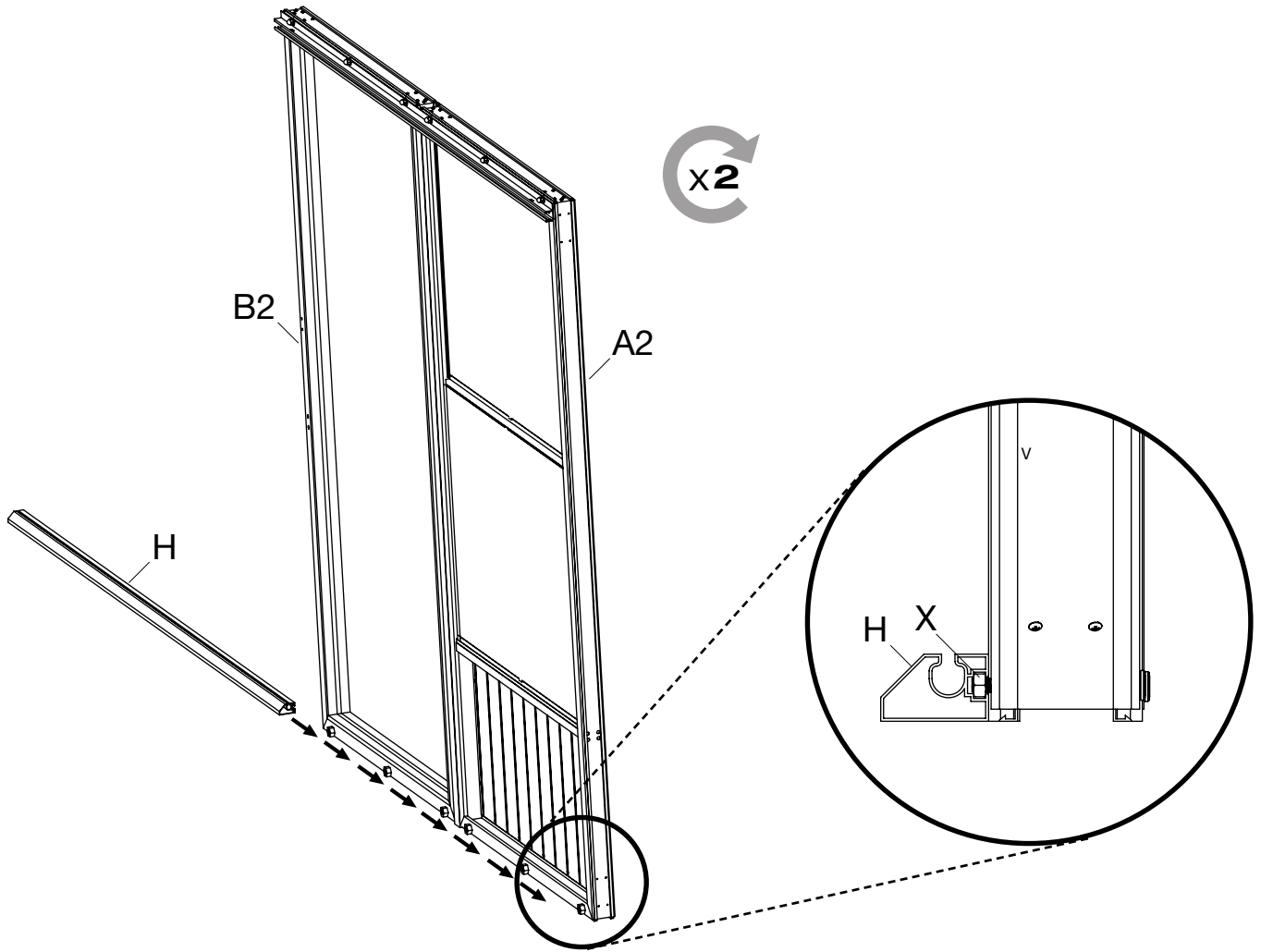


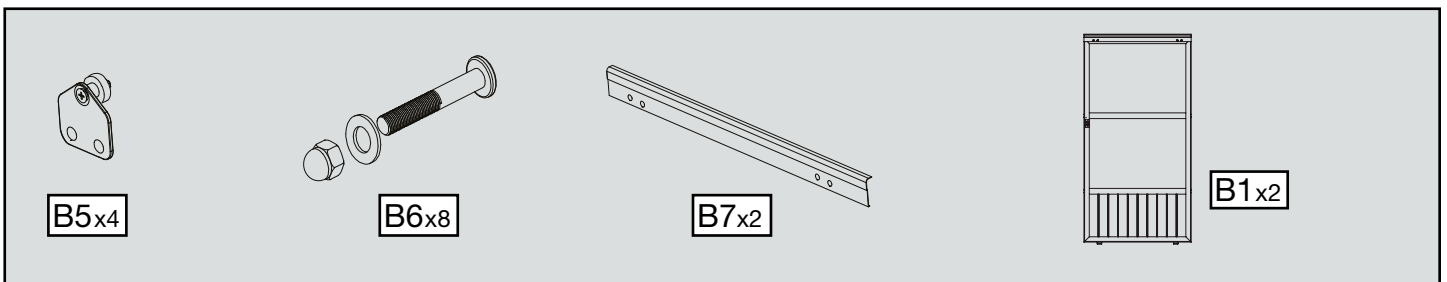
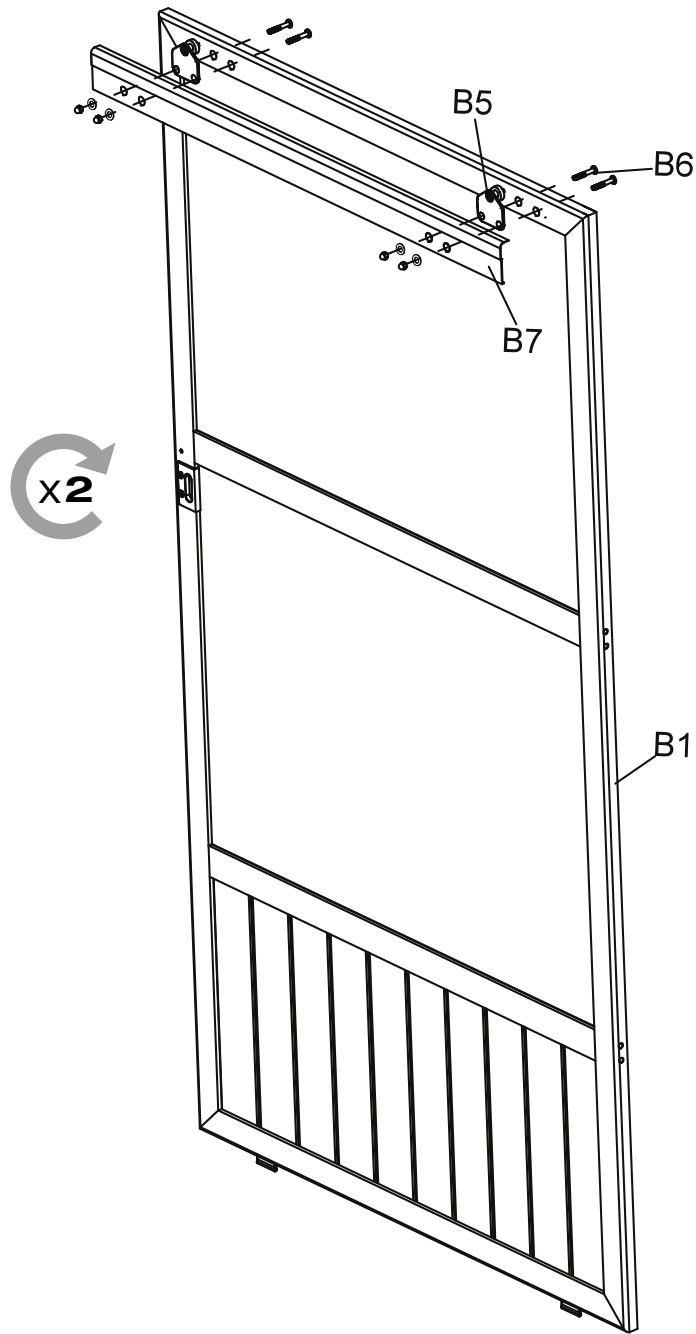
The parts list includes:

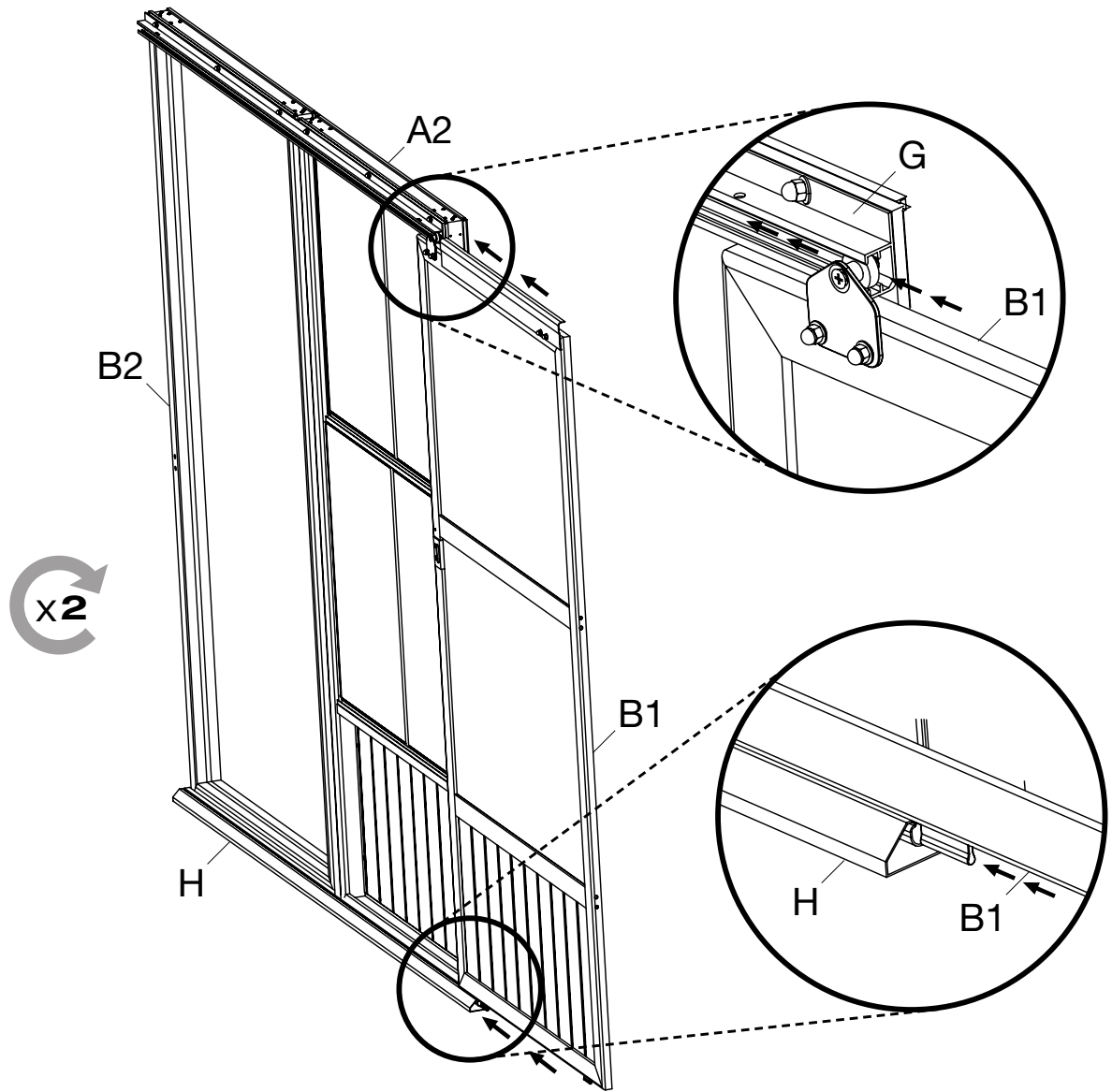
- A long rail labeled **Gx2**.
- A screw labeled **Xx12**.
- A screw labeled **Wx12**.
- A washer.
- A nut.

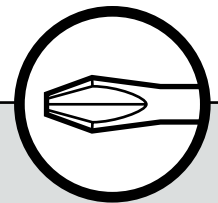
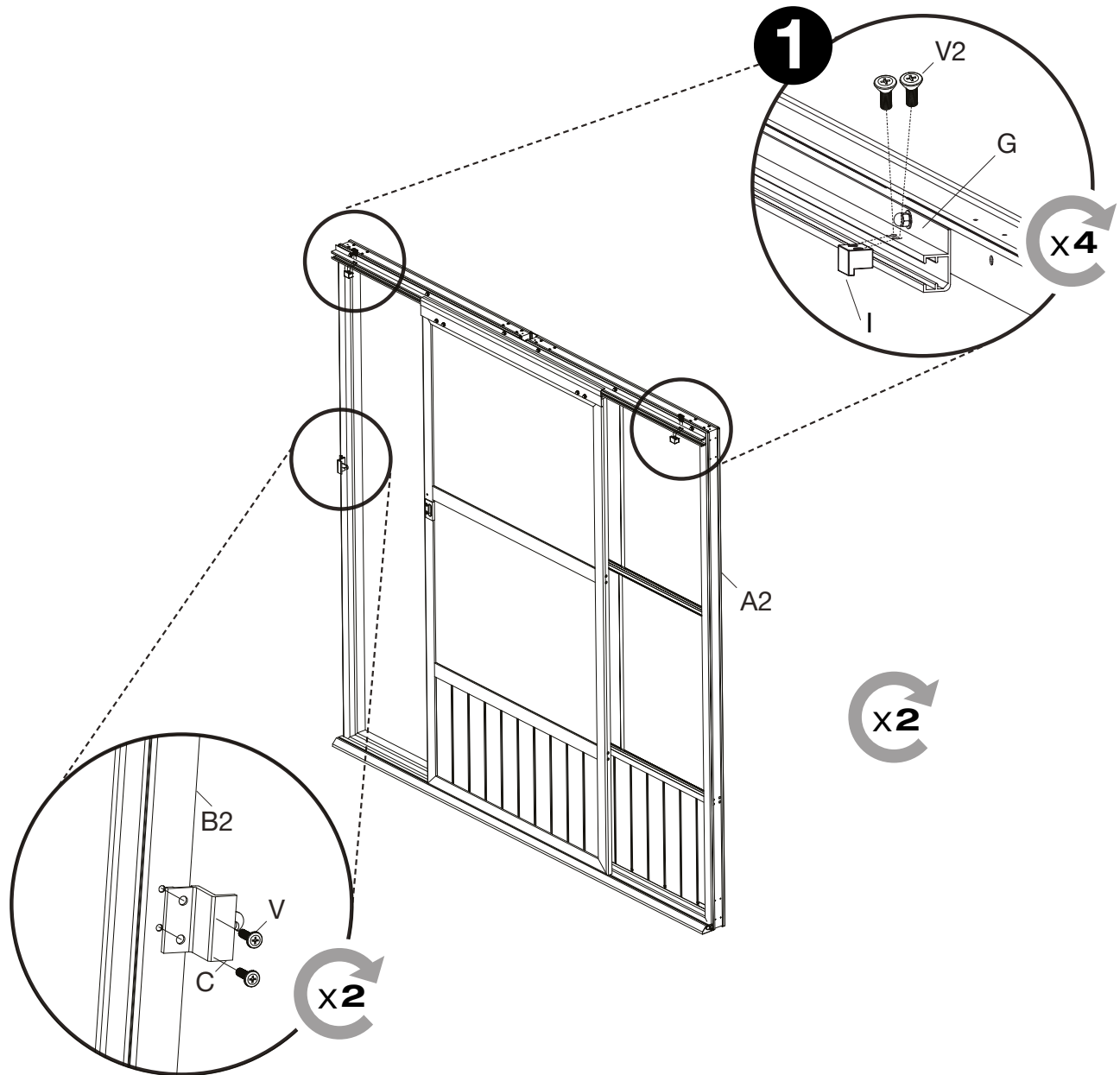
The safety icons include:

- A circle with two people and the number **2+**, indicating that two people are required for installation.
- A circle with a hand and a diagonal line through it, indicating that no force should be applied during installation.









Cx2



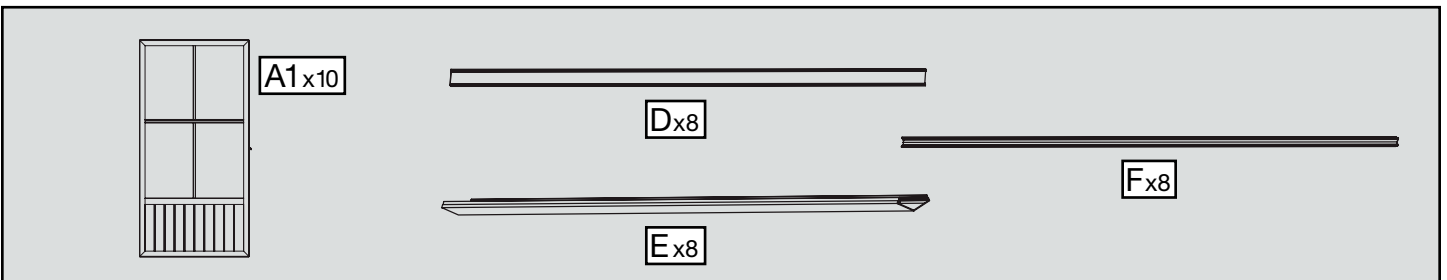
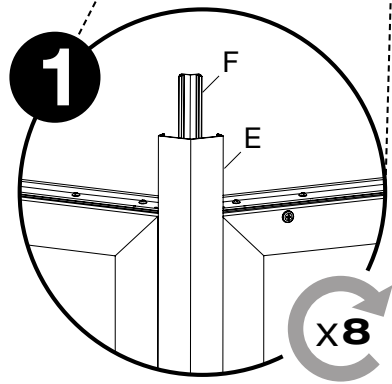
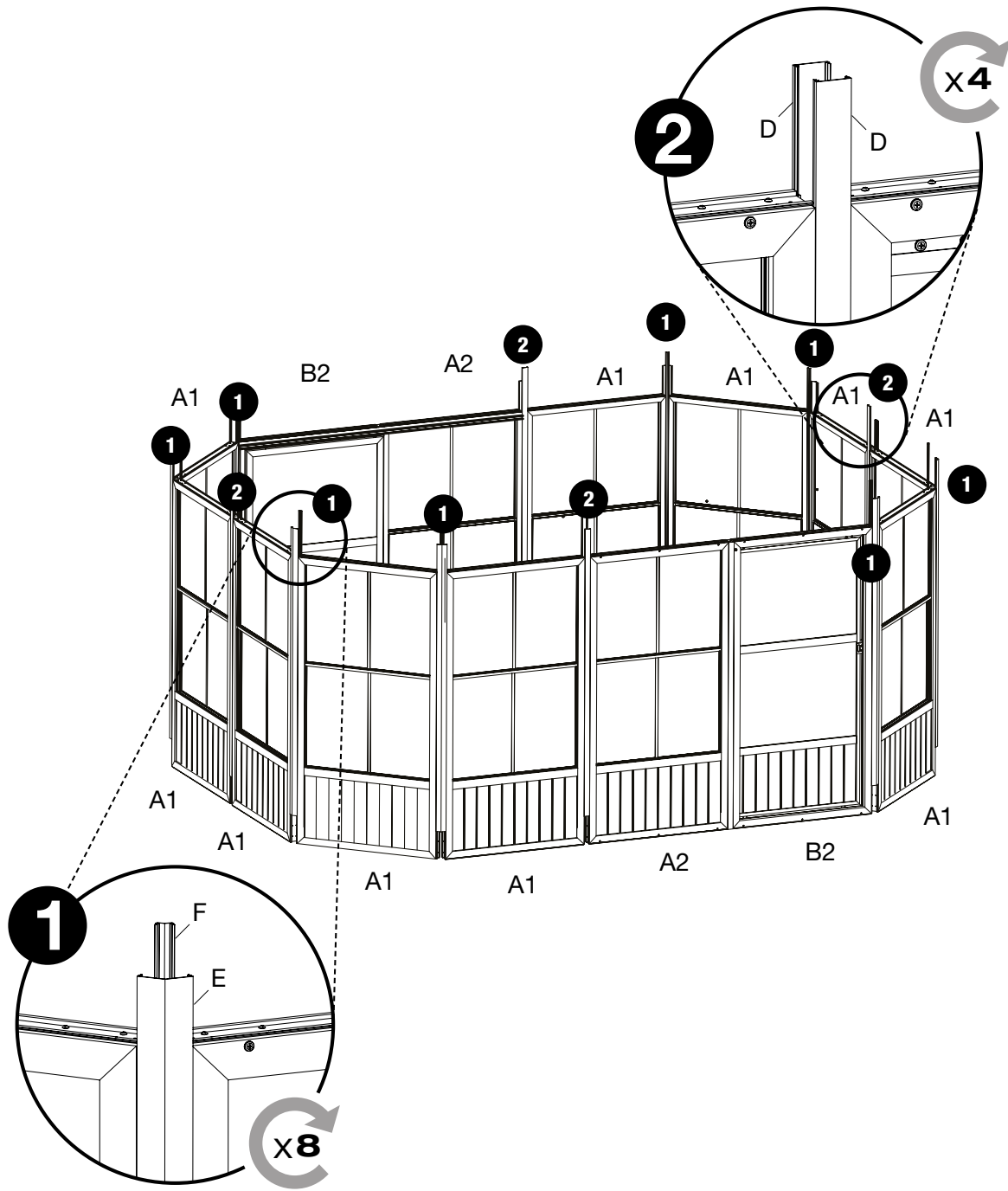
Ix4

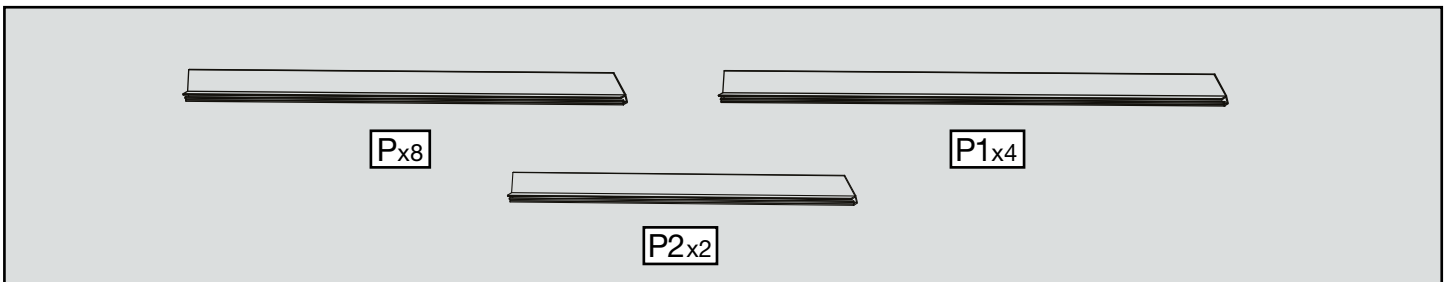
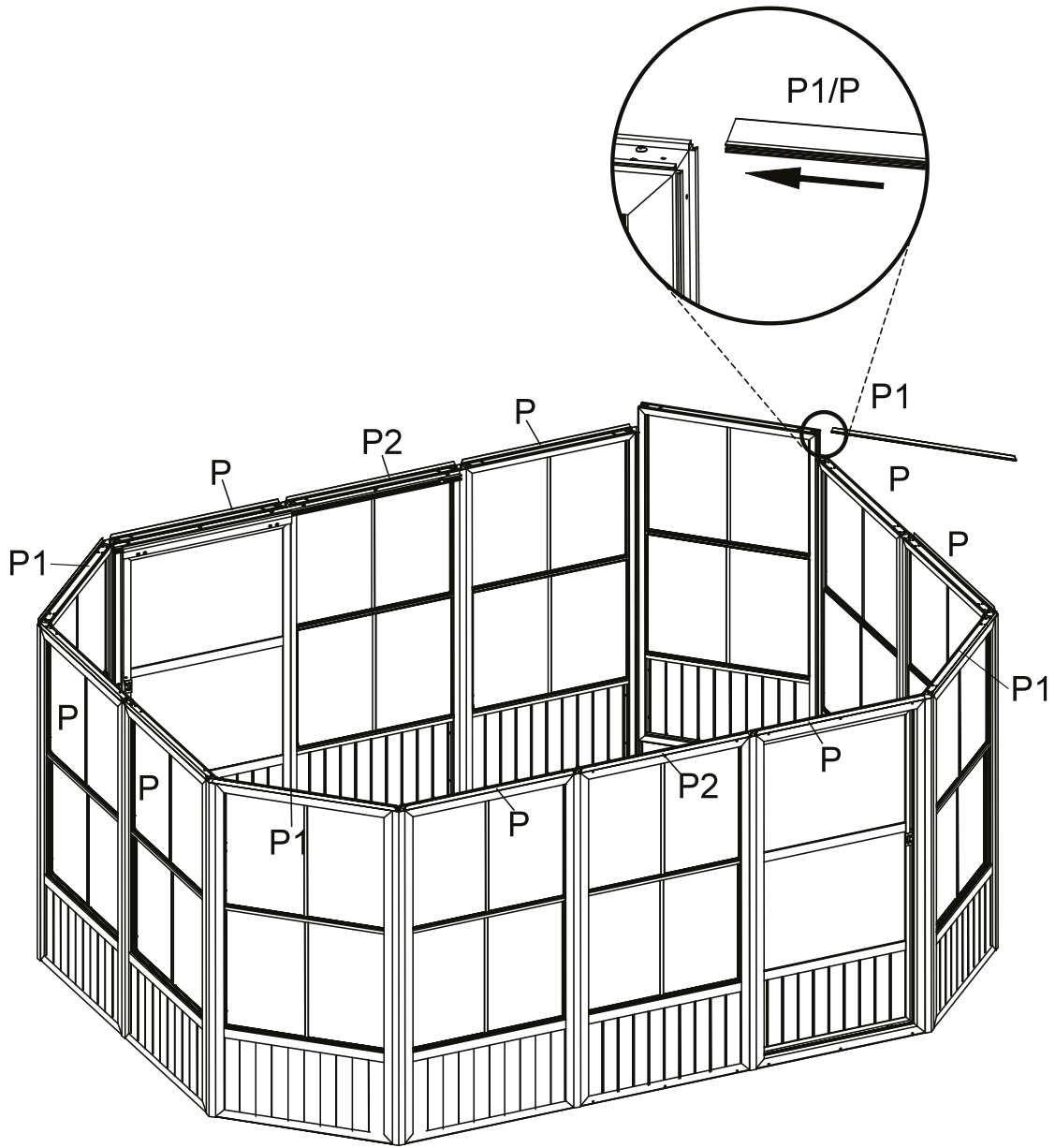


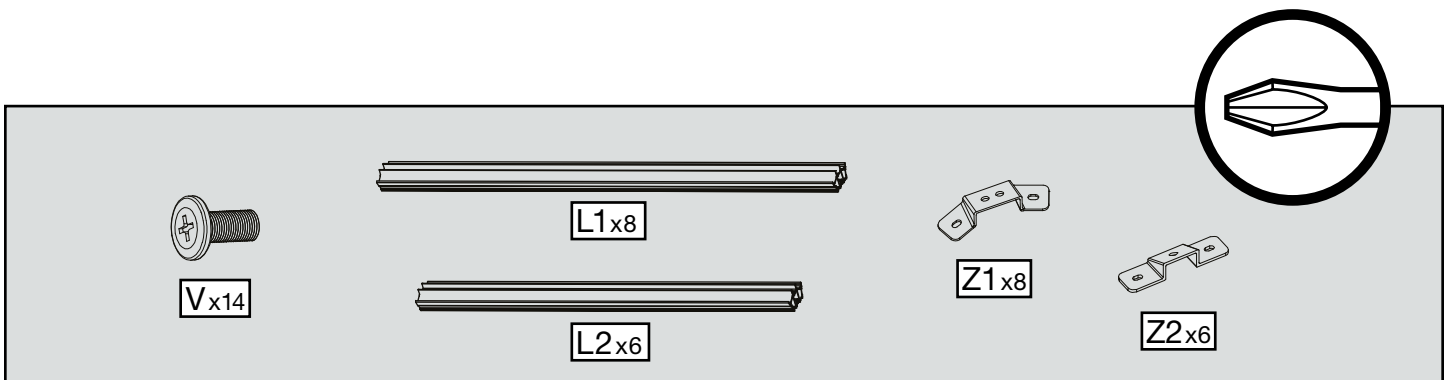
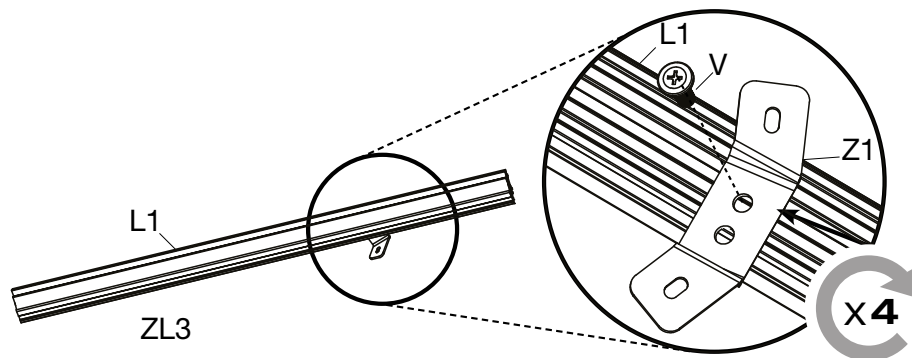
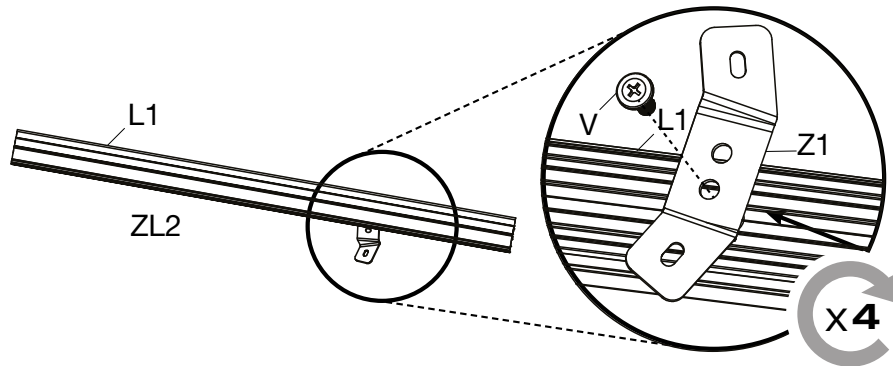
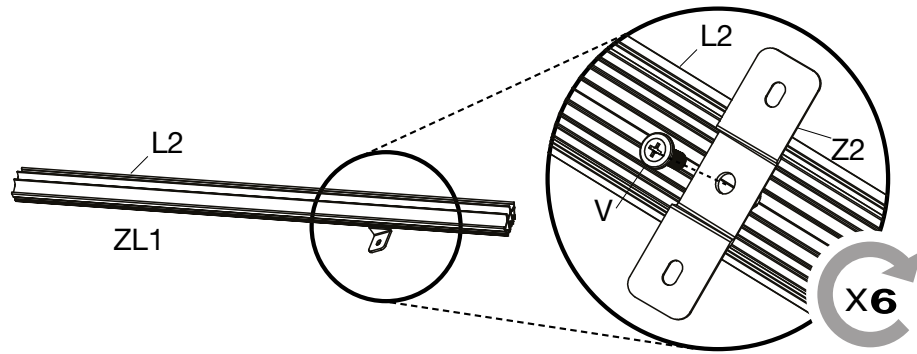
V2x8



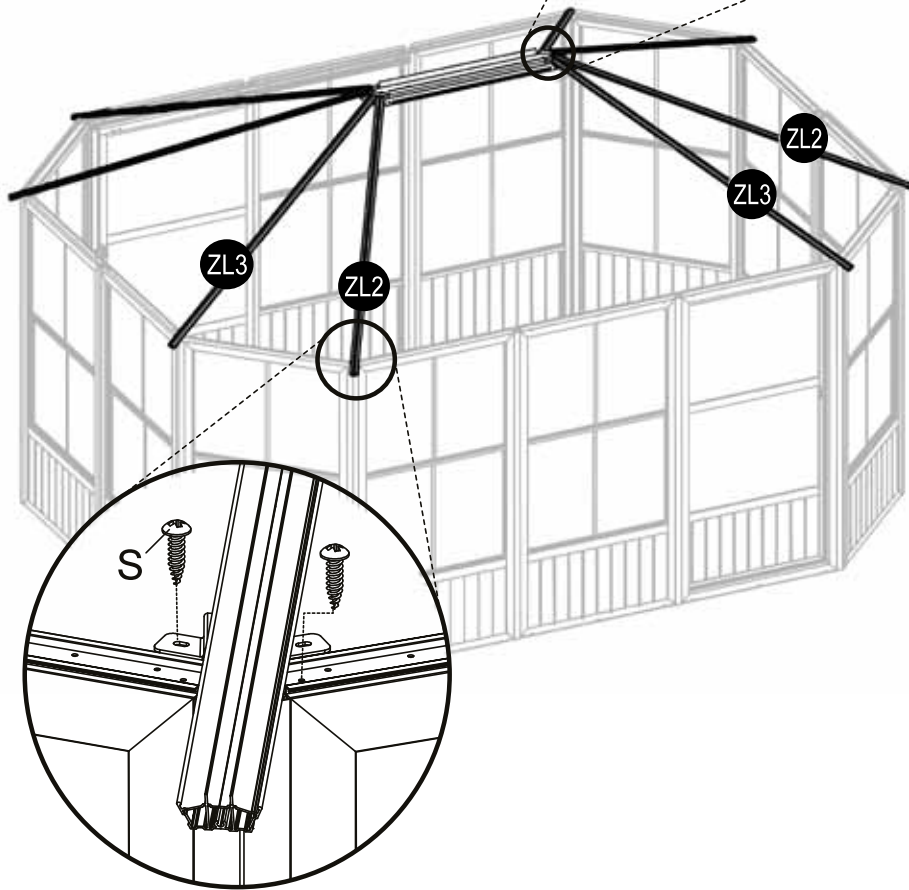
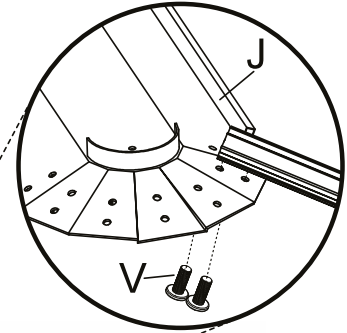
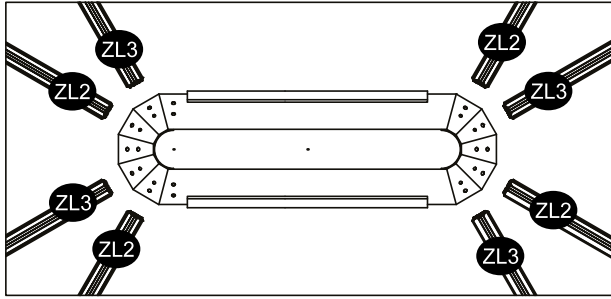
Vx4



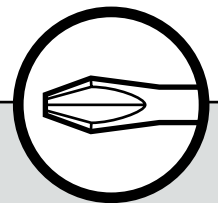




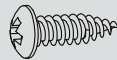




x8



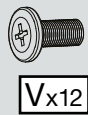
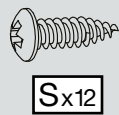
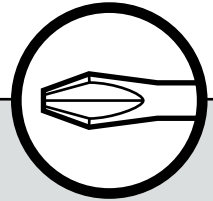
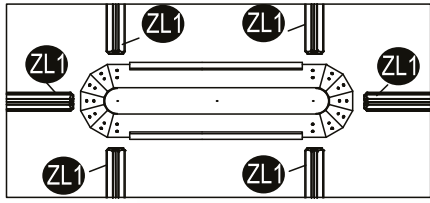
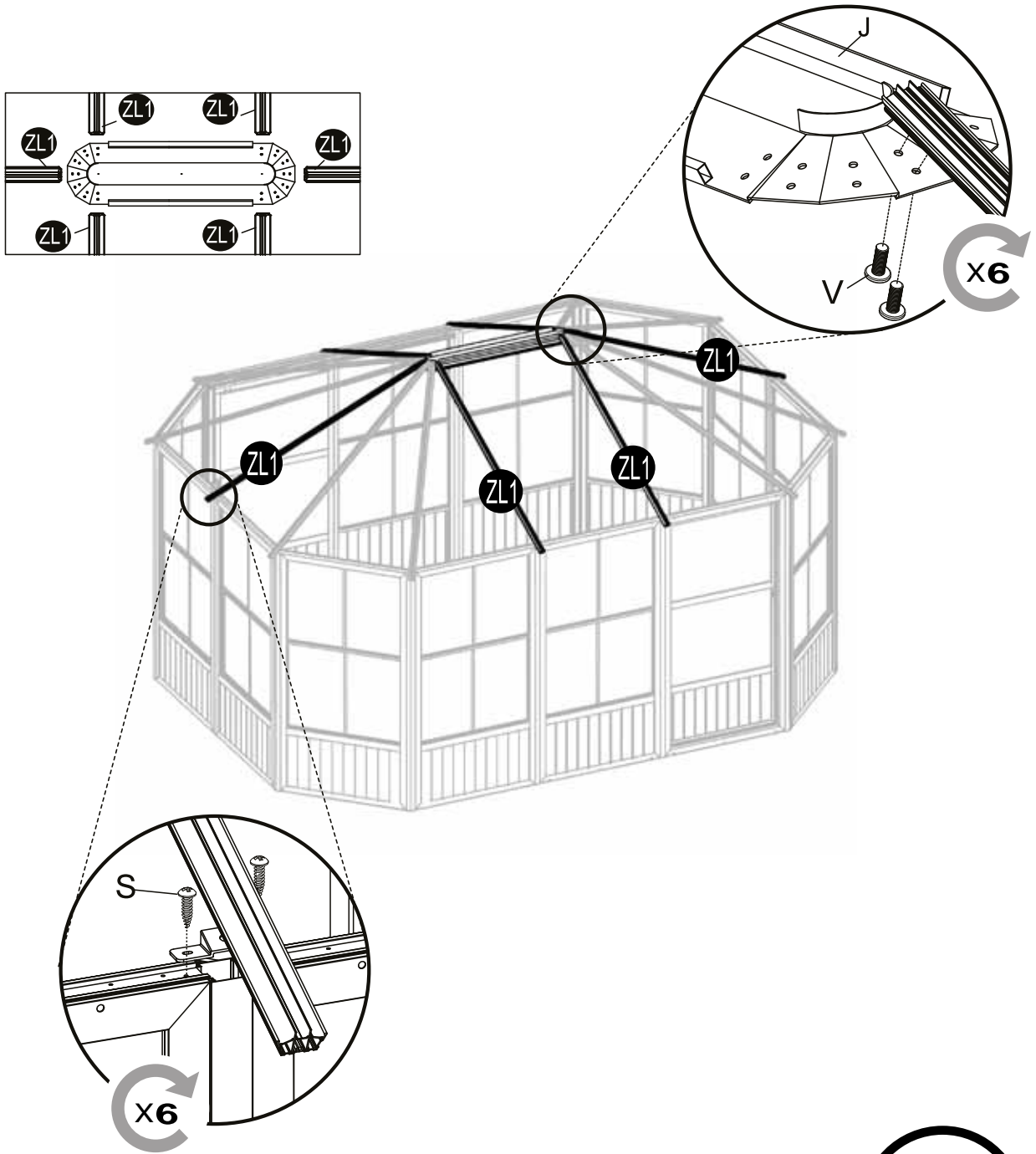
Jx1

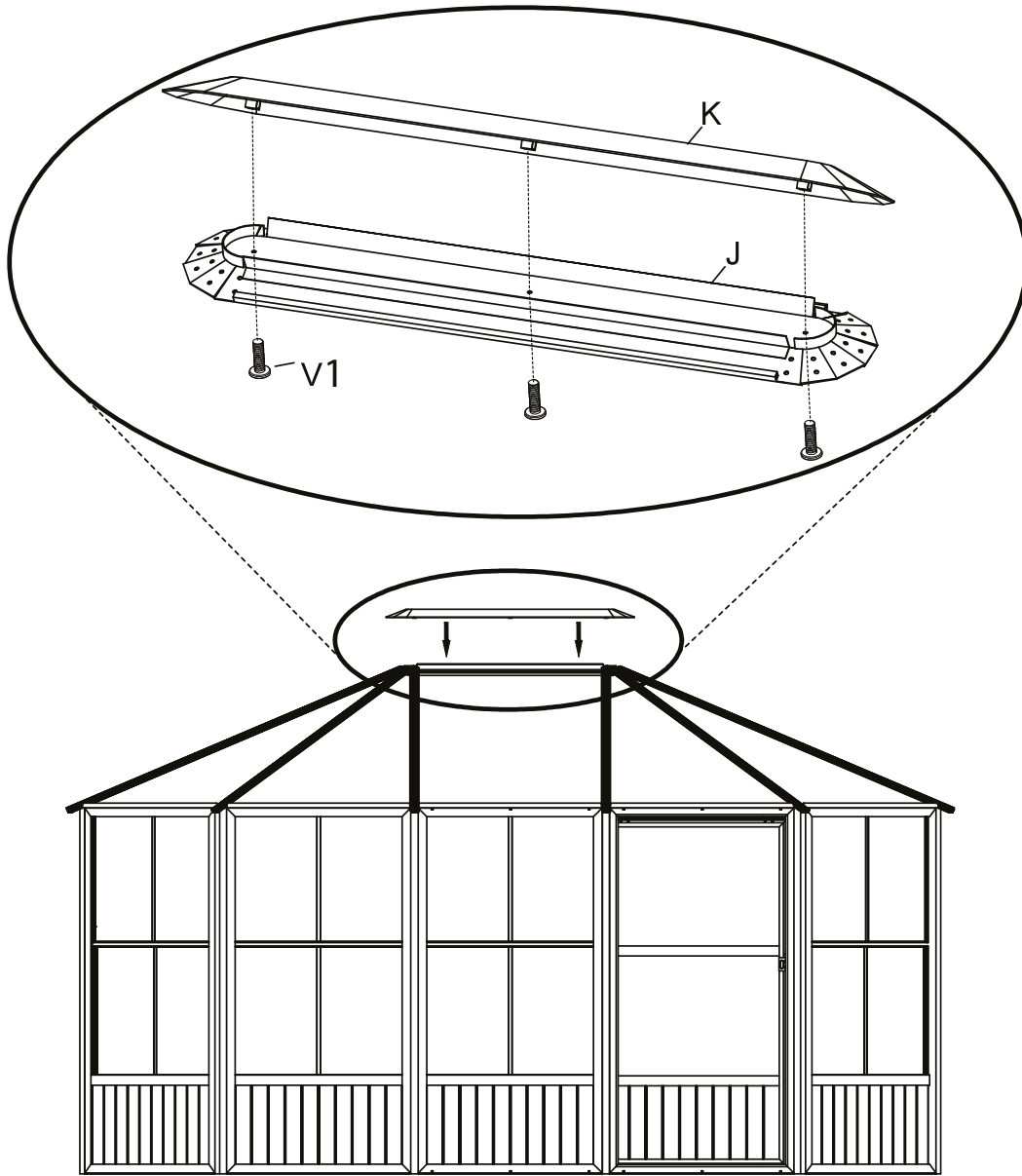


Sx16

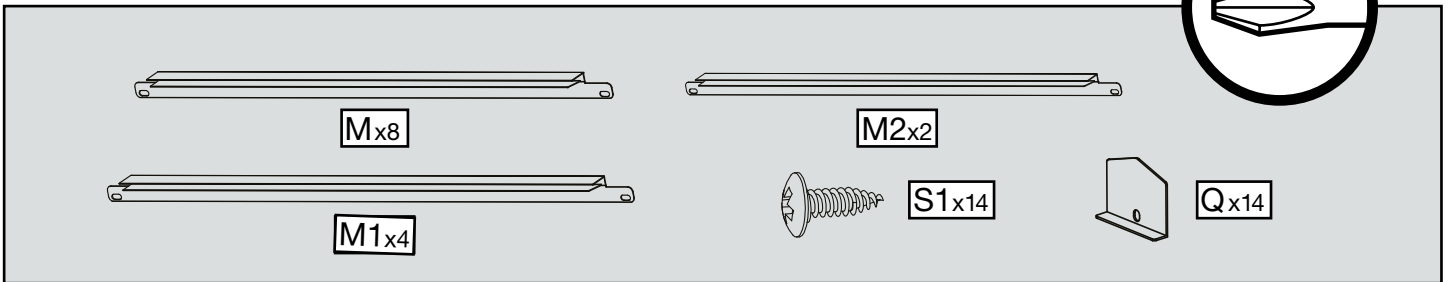
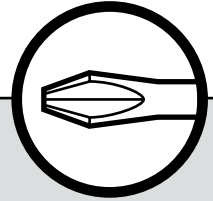
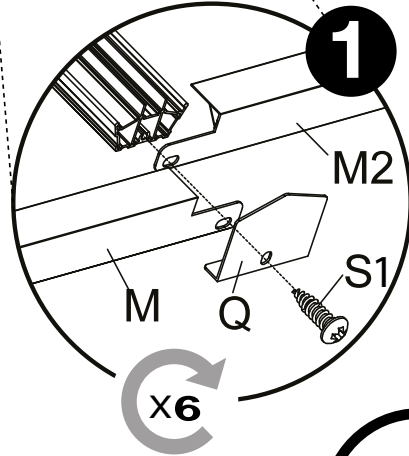
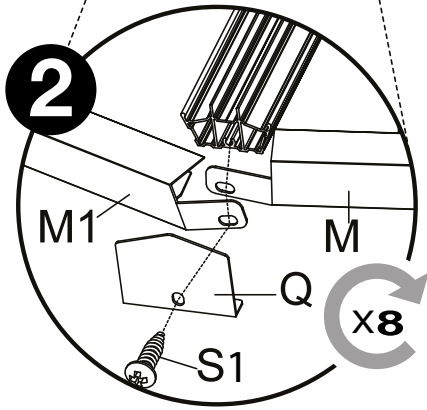
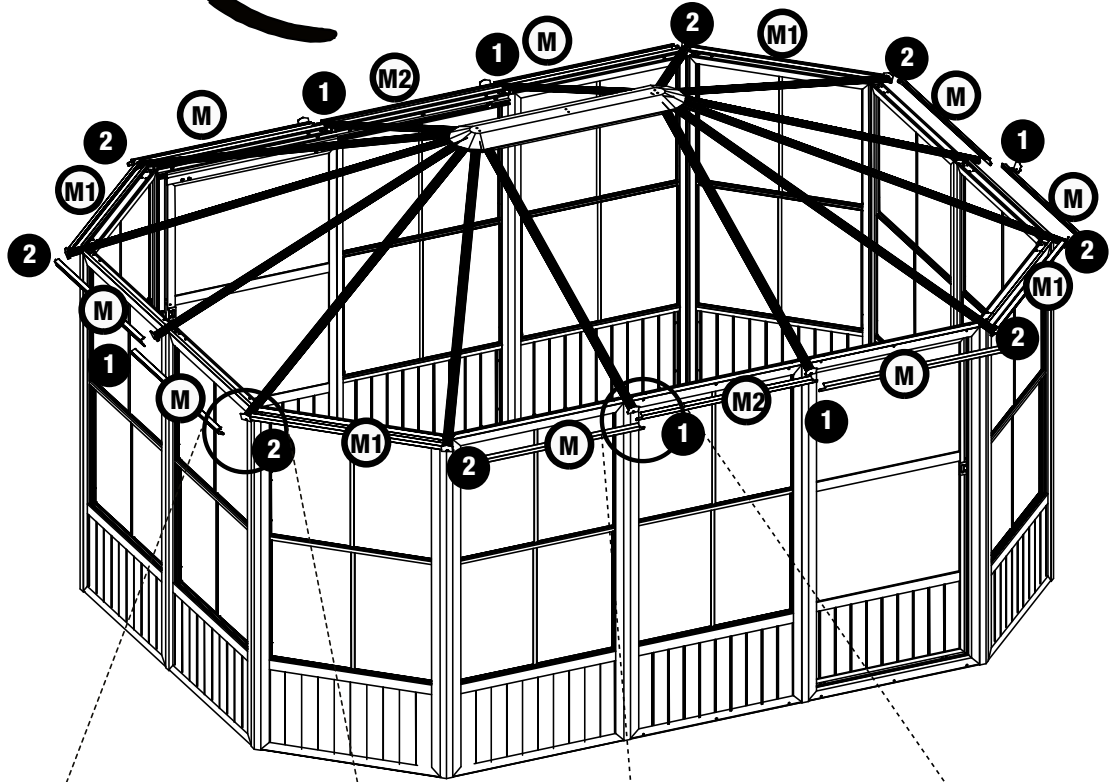
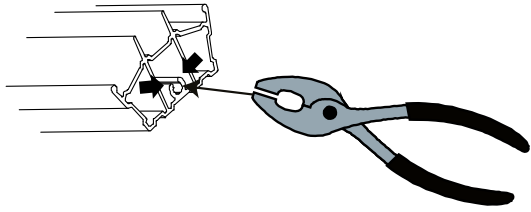


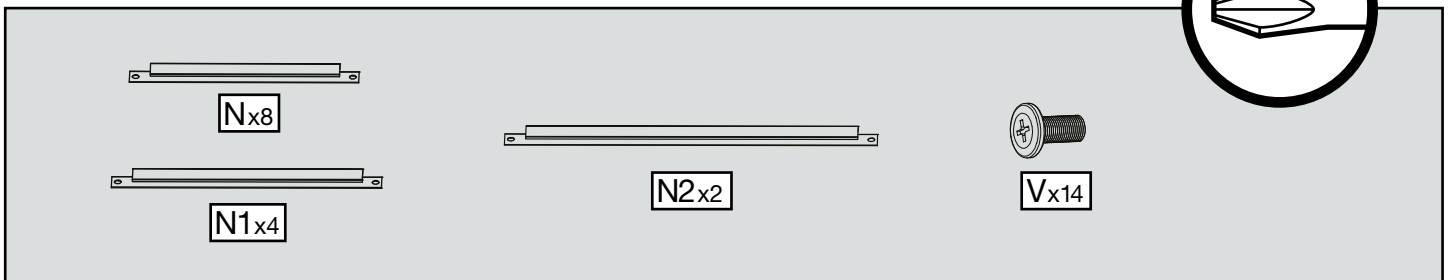
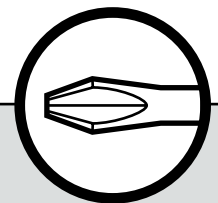
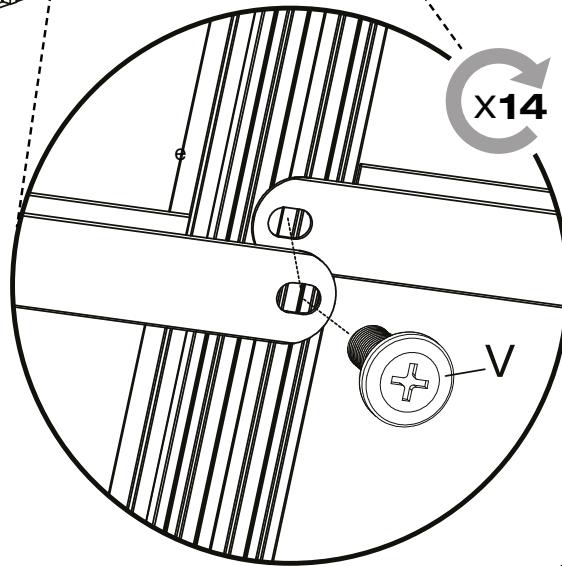
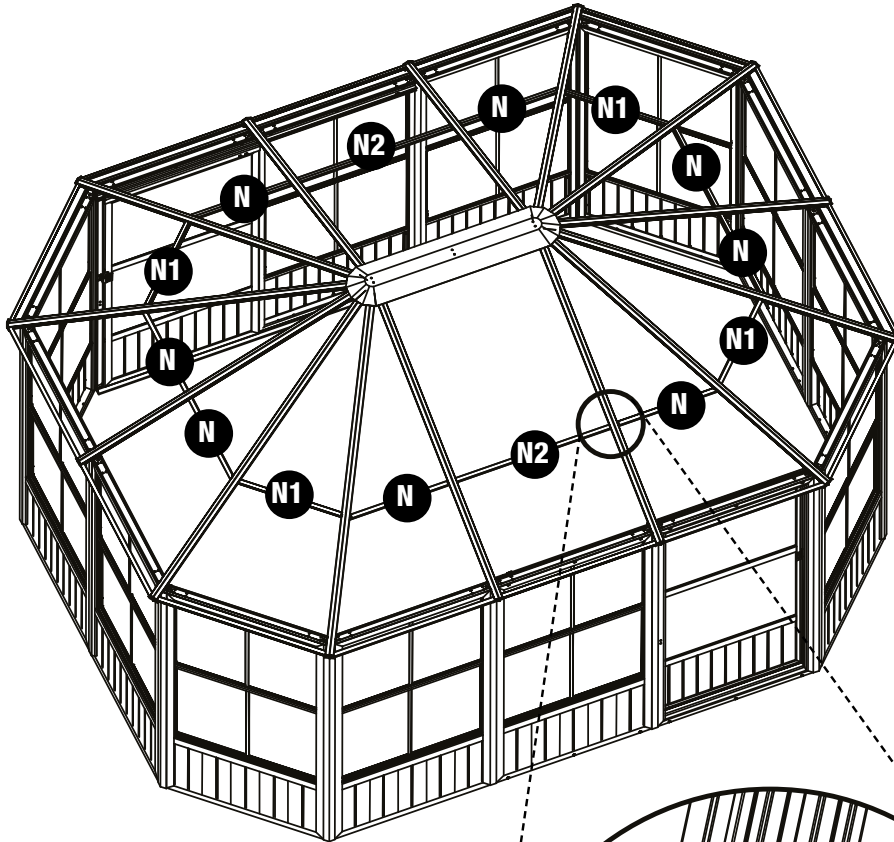
Vx16

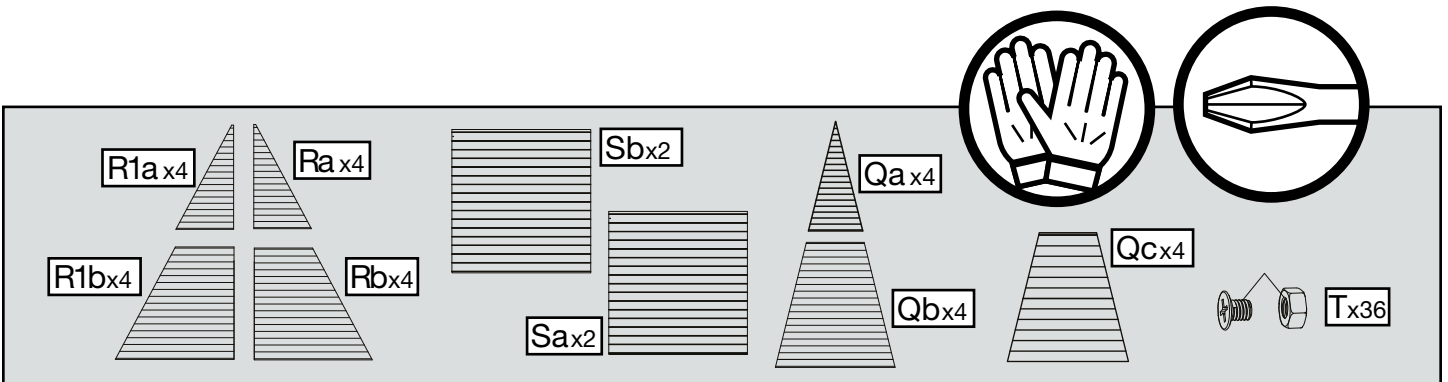
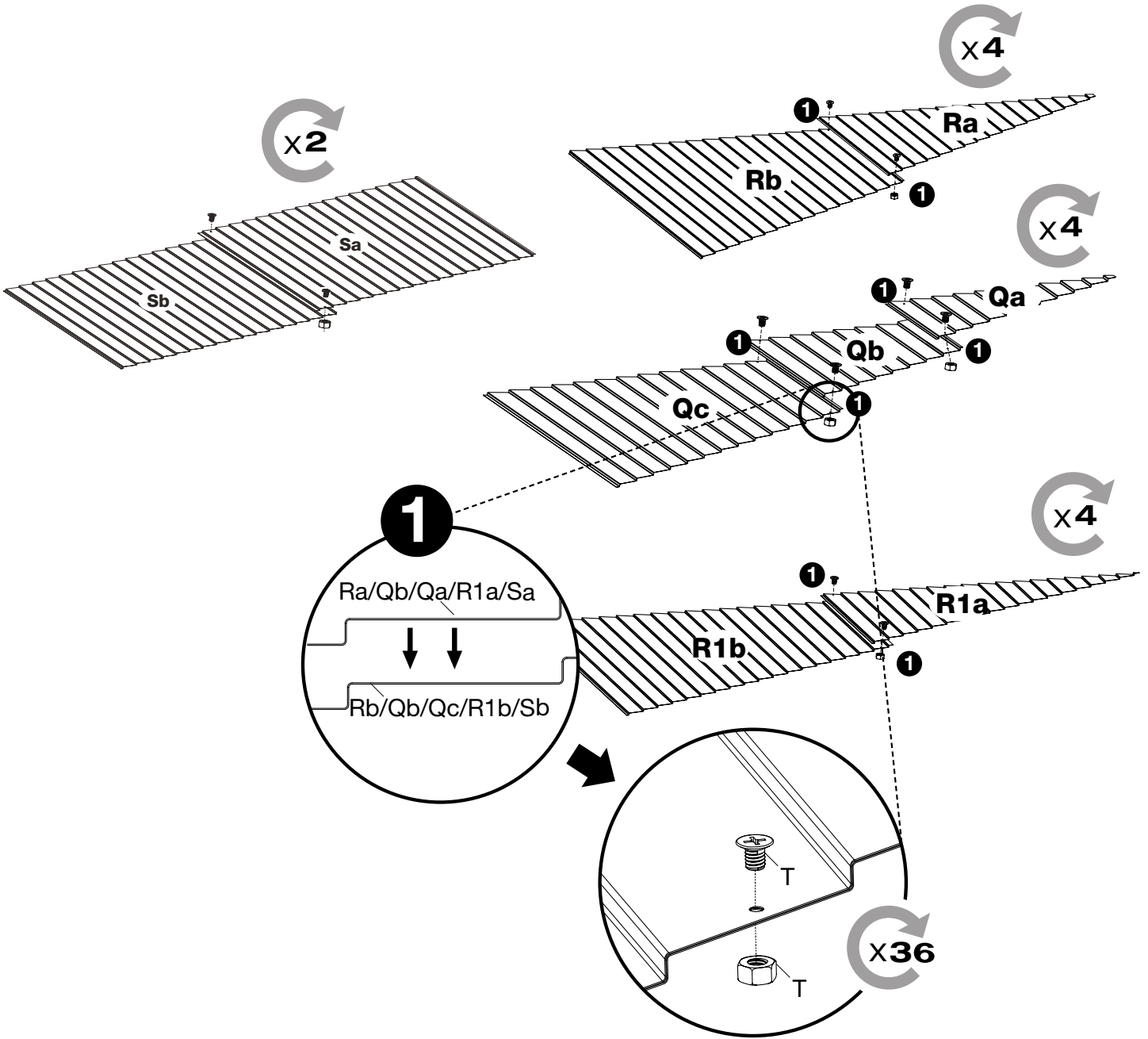


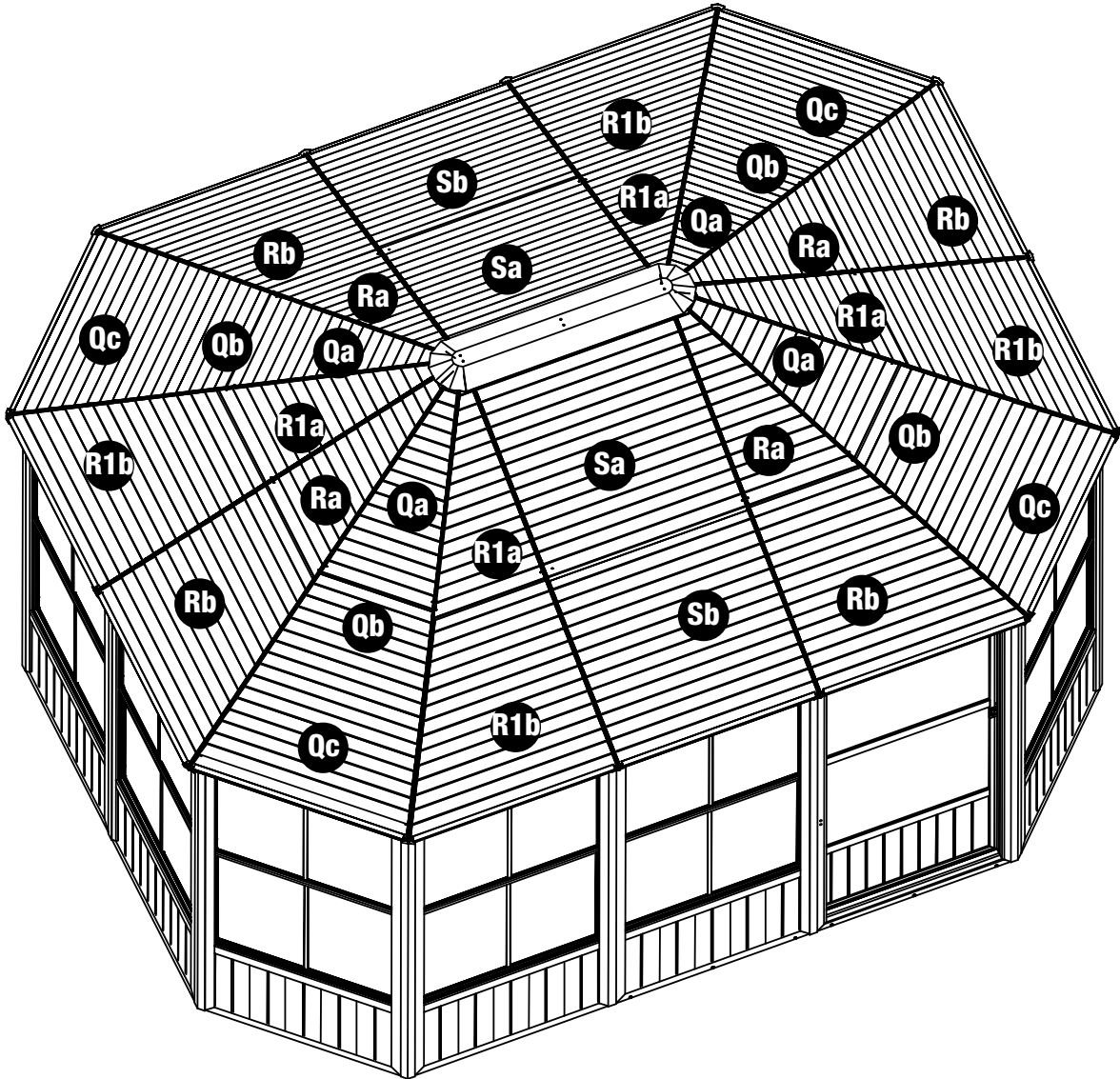


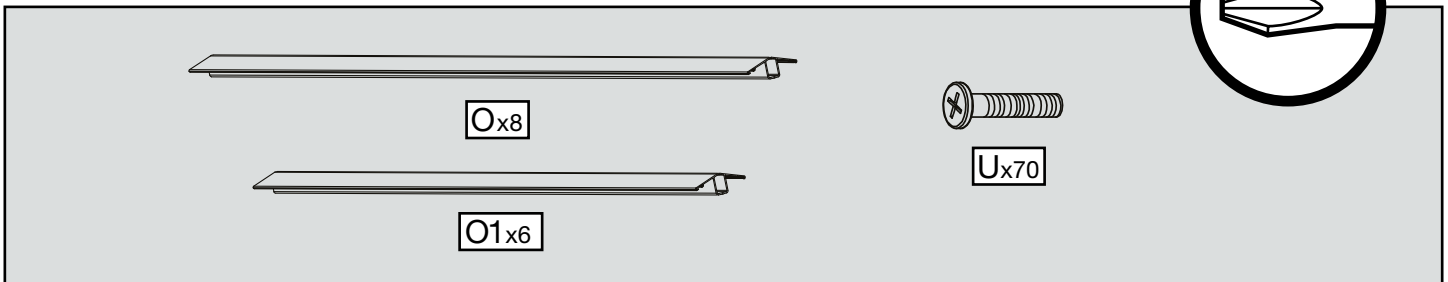
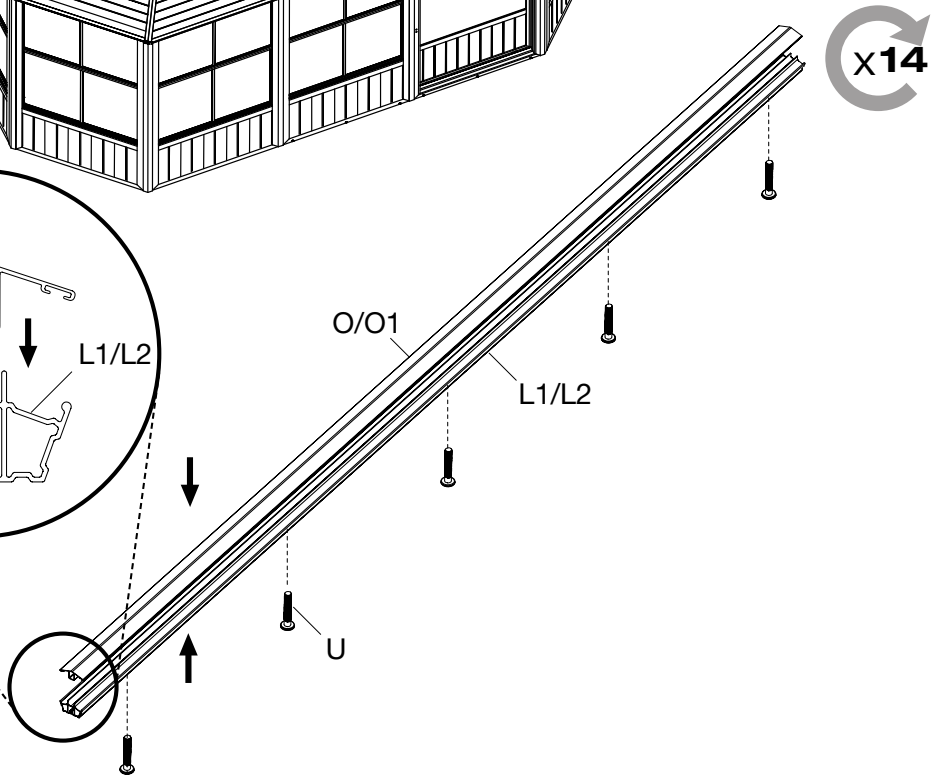
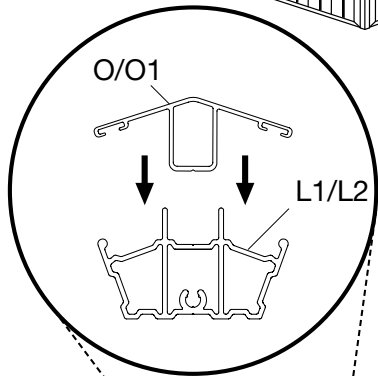
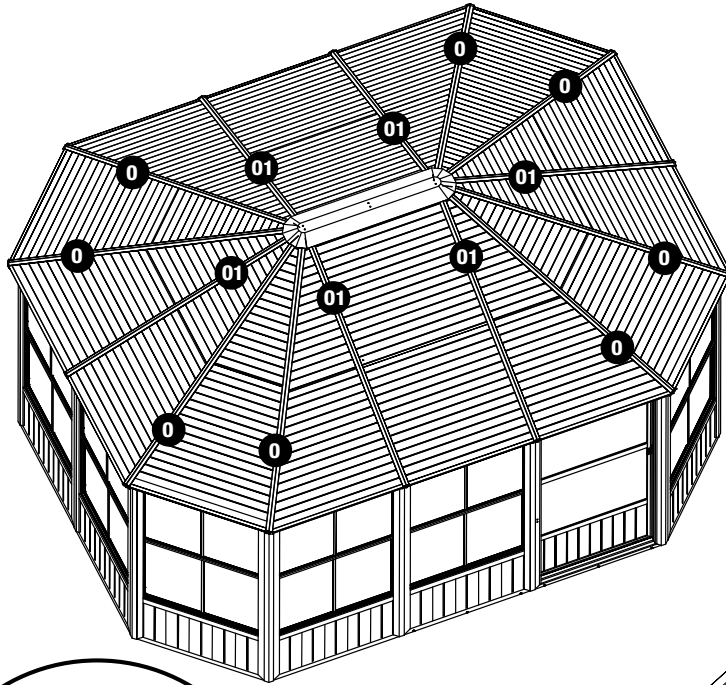
This section contains a parts list and safety instructions. On the left, a long, thin, tapered component is shown with the label 'Kx1' below it. To its right is a screw with the label 'V1x3' below it. On the far right, there are two circular icons: the first shows a hand with a diagonal line through it, indicating that manual force should not be used; the second shows a pair of pliers, indicating that pliers should be used for the assembly.



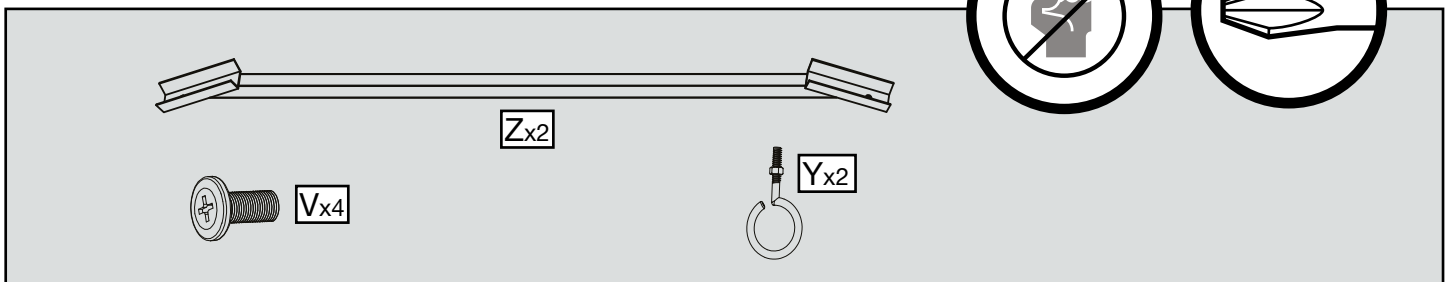
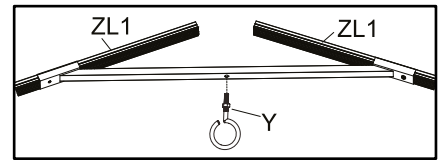
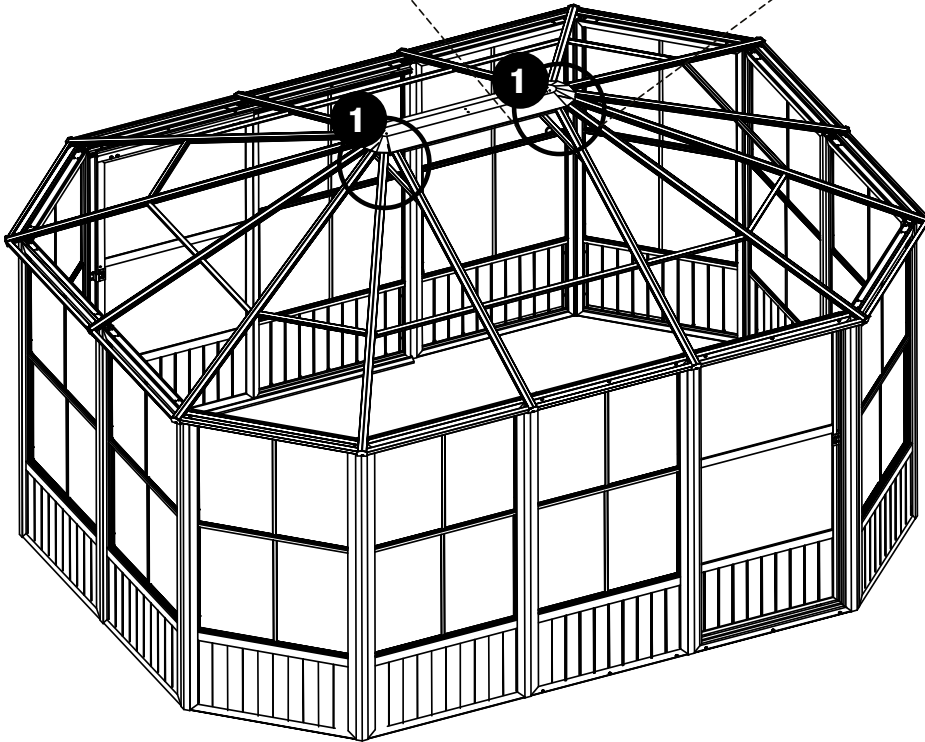
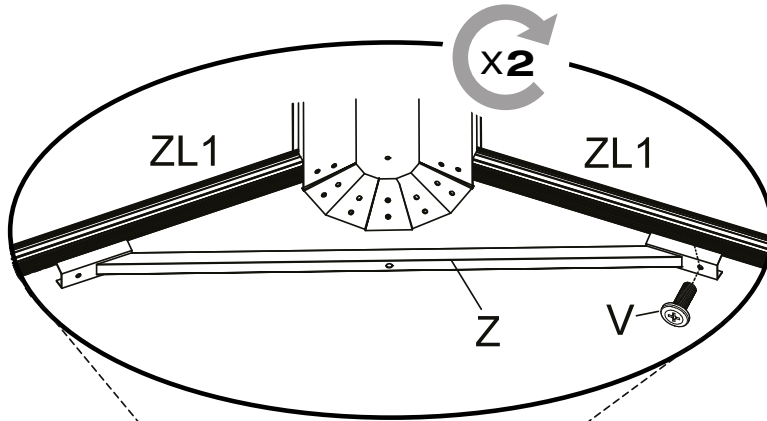
















Clemens **HobbyTec**

**NOCH FRAGEN RUND  
UM DAS PRODUKT  
ODER ZUM AUFBAU?**

RUFEN SIE UNS AN:  
+49 (0) 6571 929 222

[SERVICE@CLEMENS-HOBBYTEC.DE](mailto:SERVICE@CLEMENS-HOBBYTEC.DE)

CLEMENS HOBBYTEC GMBH  
RUDOLF-DIESEL-STRASSE 8  
D-54516 WITTLICH

[WWW.CLEMENS-HOBBYTEC.DE](http://WWW.CLEMENS-HOBBYTEC.DE)