











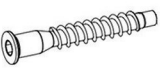
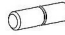
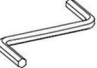
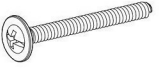



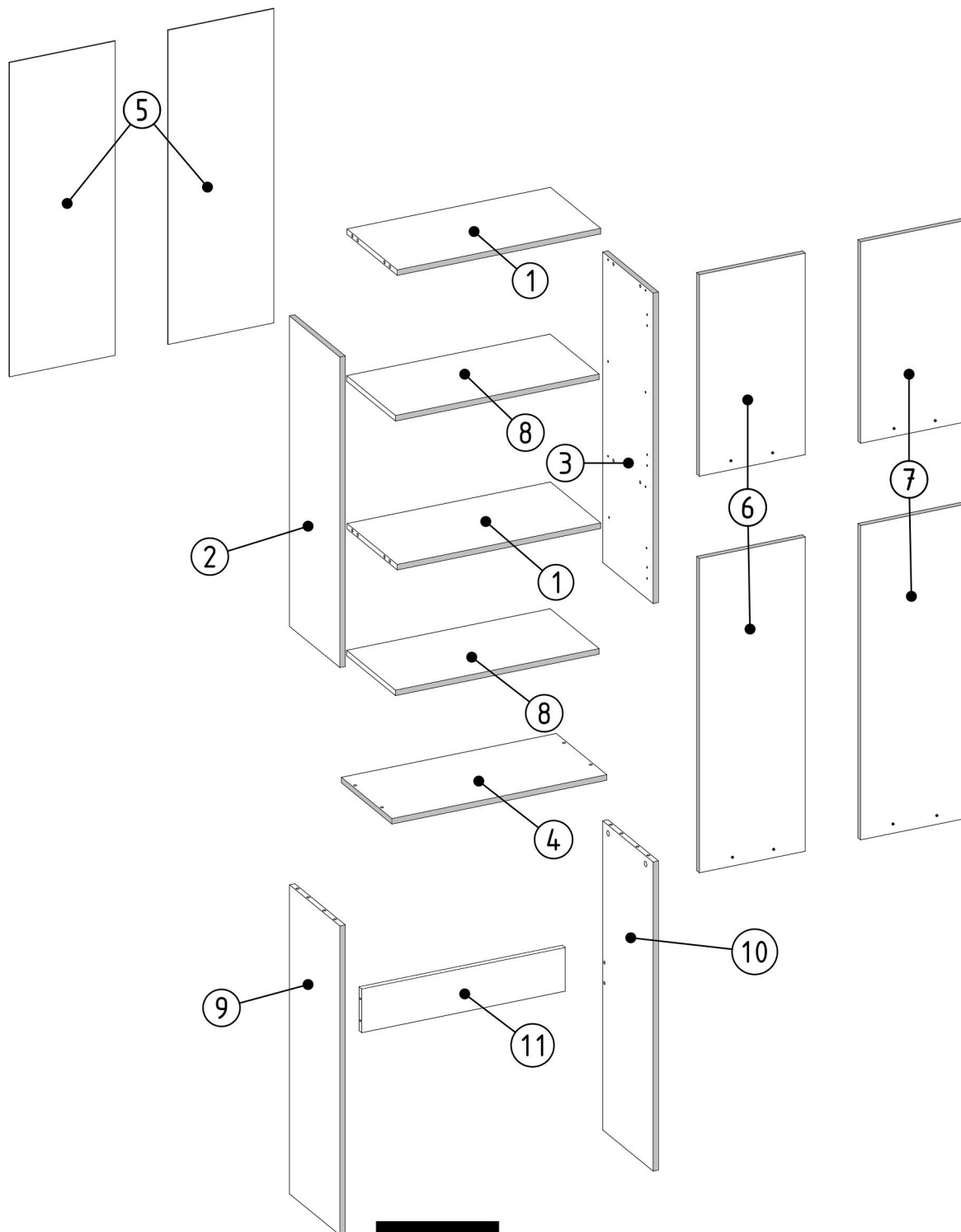

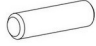
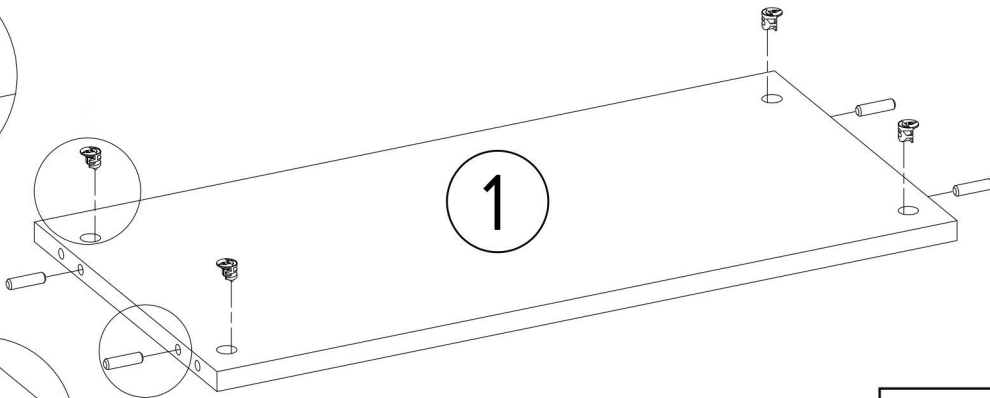
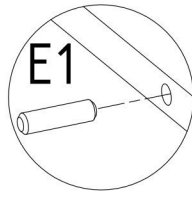
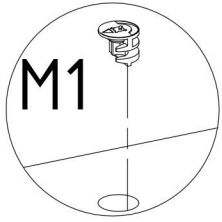


|  |  |  |  |   |   |  |   |  |
|--|--|--|--|---|---|--|---|--|
| <b>F2</b><br><br>x8<br>ø12 mm<br>B,S-A | <b>L1</b><br><br>x4<br>L=860mm  | <b>T1</b><br><br>x4           |  |   |   |  |   |  |
| <b>N1</b><br><br>L=35mm<br>x12         | <b>M1</b><br><br>12x15mm<br>x12 | <b>A1</b><br><br>ZP<br>x4     | <b>S1</b><br><br>3,5x16mm<br>x8 | <b>E1</b><br><br>8x30mm<br>x12 | <b>M2</b><br><br>ø16mm<br>B,S-A<br>x8 | <b>U3</b><br><br>L=96/137mm<br>x2 | <b>K1</b><br><br>x1            |  |
| <b>Z1</b><br><br>x60                   | <b>F1</b><br><br>7x50mm<br>x8   | <b>K7</b><br><br>5x16mm<br>x8 | <b>F3</b><br><br>x1             | <b>S5</b><br><br>4x27 mm<br>x4 | <b>F5</b><br><br>ø5mm<br>B,S-A<br>x4  | <b>Z3</b><br><br>x2               | <b>S4</b><br><br>4x30 mm<br>x6 |  |

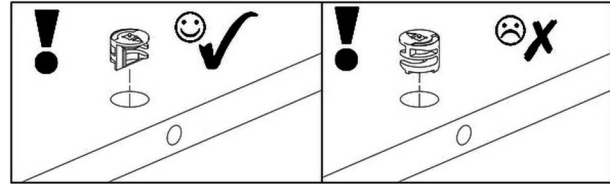
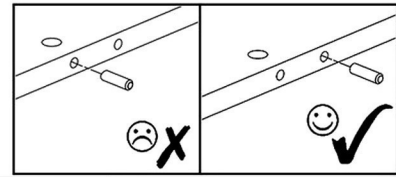



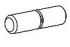
|          |   |   |           |     |
|----------|---|---|-----------|-----|
| <b>1</b> | x | 2 |           |     |
| <b>2</b> | x | 1 |           |     |
| <b>3</b> | x | 1 |           |     |
| <b>4</b> | x | 1 | <b>9</b>  | x 1 |
| <b>5</b> | x | 2 | <b>10</b> | x 1 |
| <b>6</b> | x | 1 | <b>11</b> | x 1 |
| <b>7</b> | x | 1 |           |     |
| <b>8</b> | x | 2 |           |     |

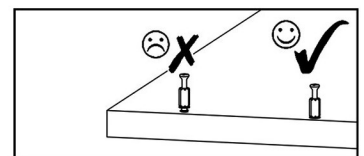
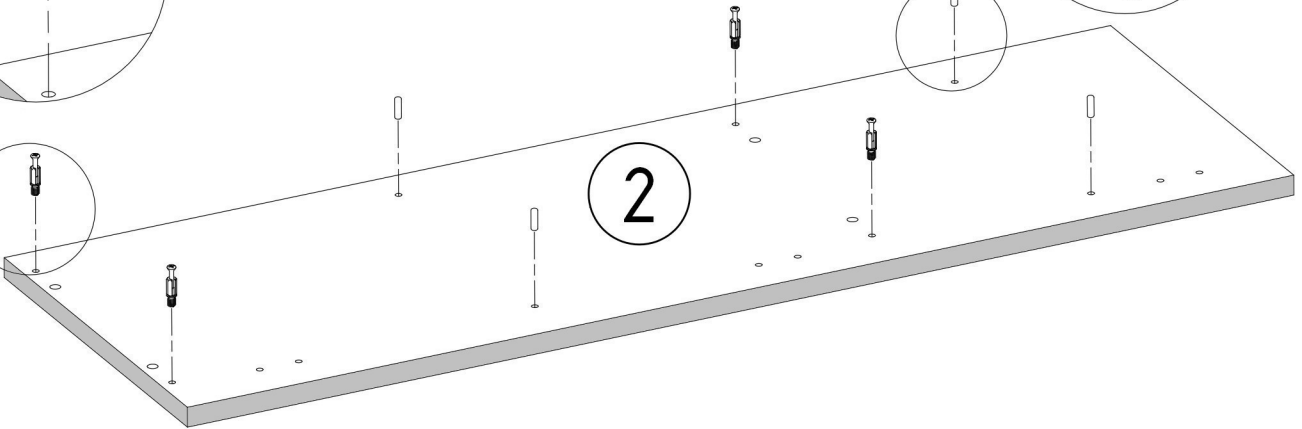
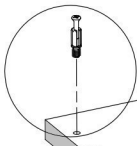
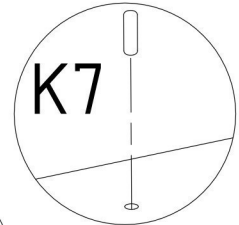
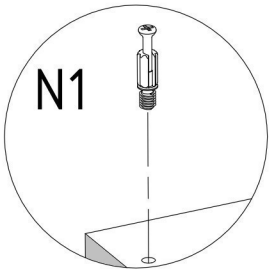
|  |  |
|--|--|
| <b>M1</b><br><br>12x15mm <b>x8</b> | <b>E1</b><br><br>8x30mm <b>x8</b> |
|--|--|


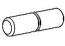


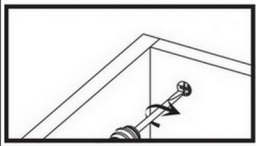
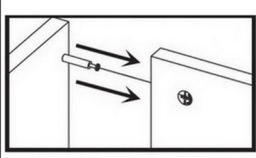
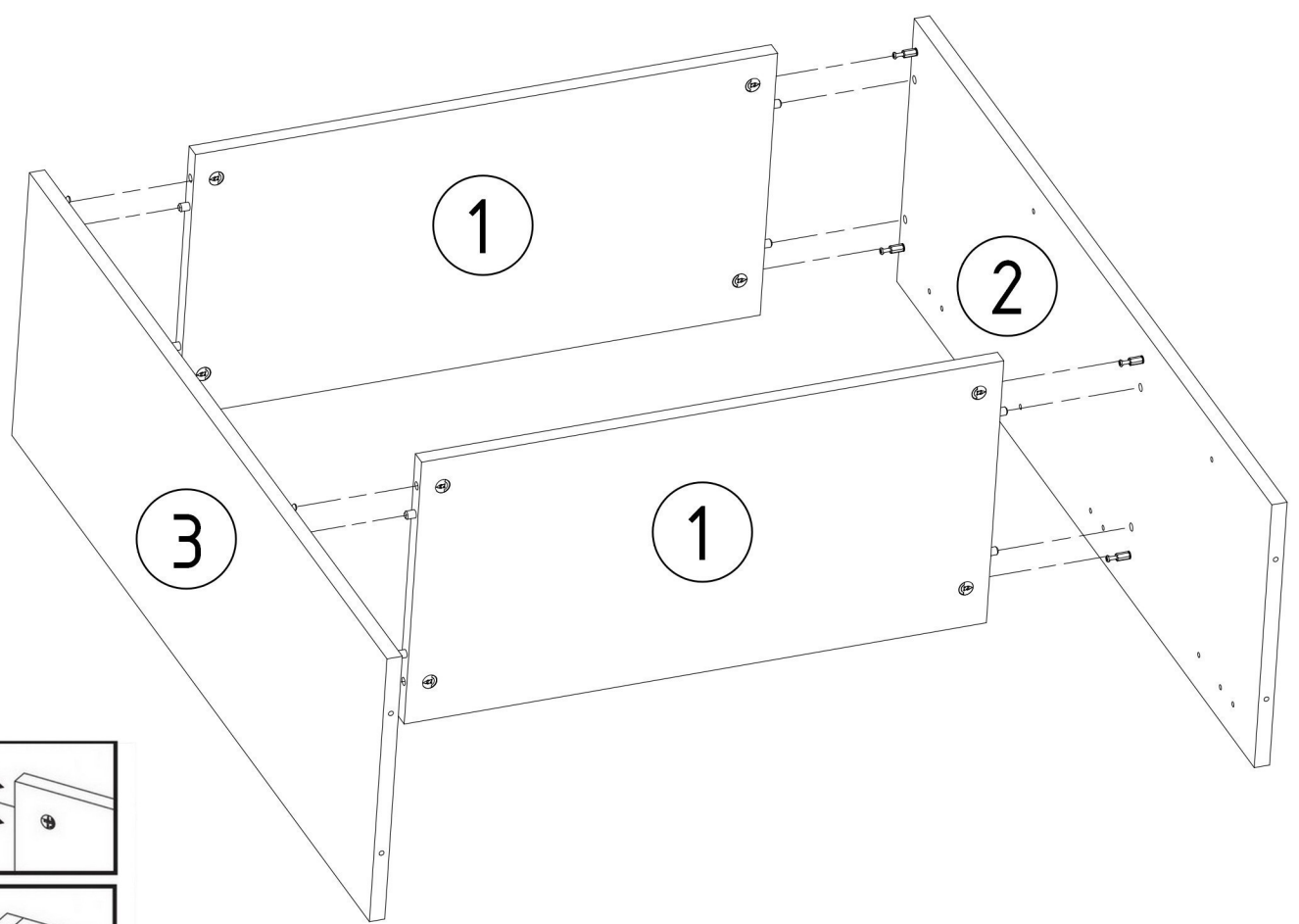
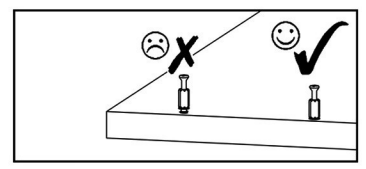
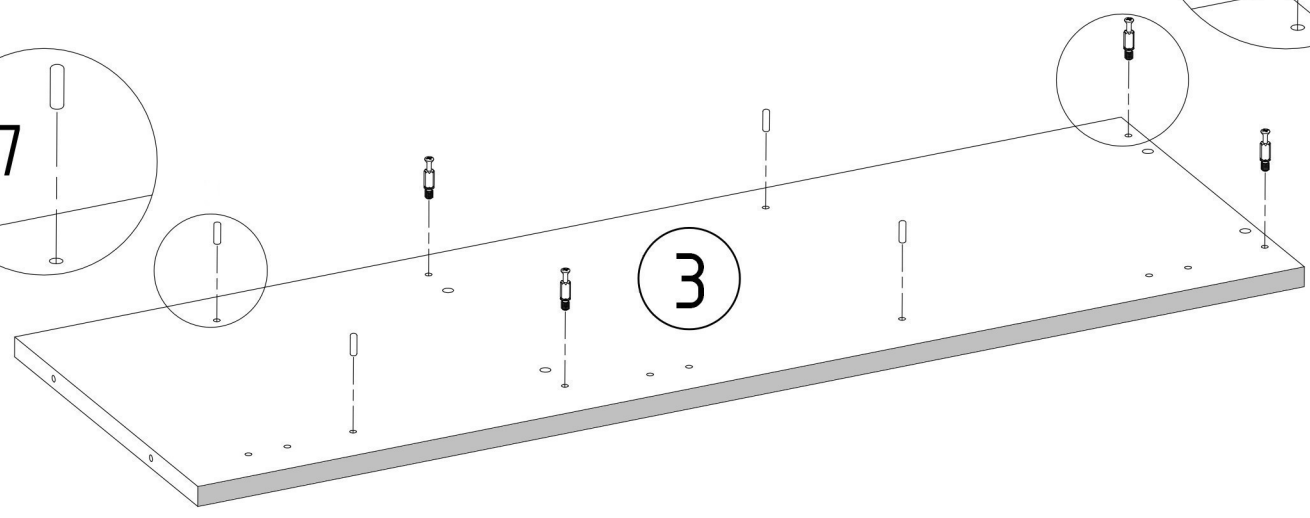
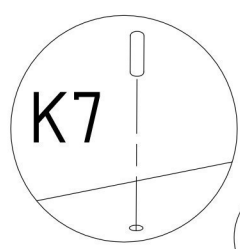
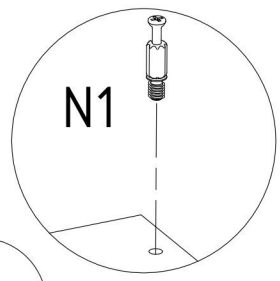
x2




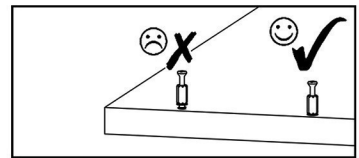
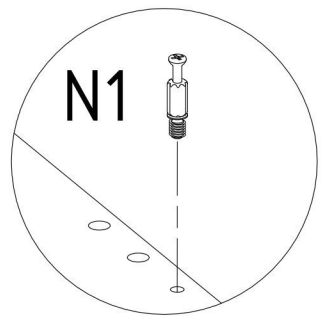
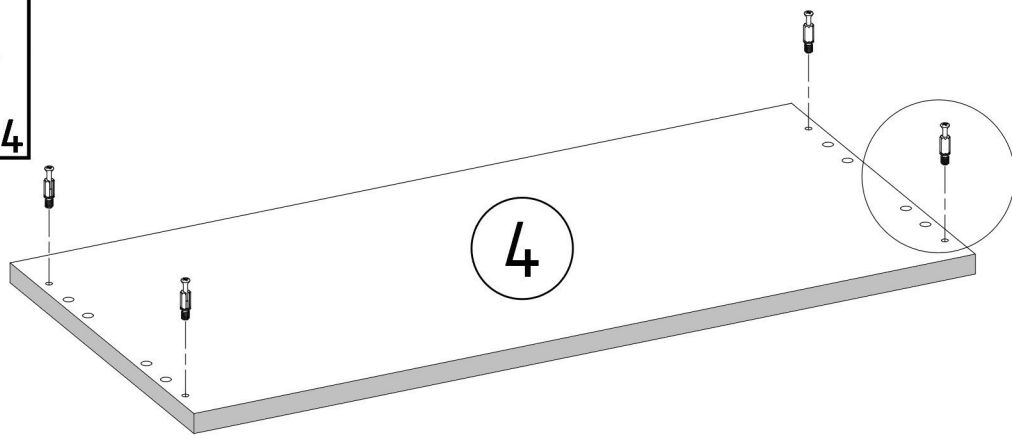
|   |  |
|---|--|
| <b>N1</b><br><br>L=35mm <b>x4</b> | <b>K7</b><br><br>5x16mm <b>x4</b> |
|---|--|

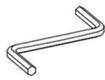


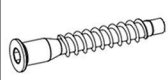
|   |  |
|---|--|
| <b>N1</b><br><br>L=35mm <b>X4</b> | <b>K7</b><br><br>5x16mm <b>X4</b> |
|---|--|




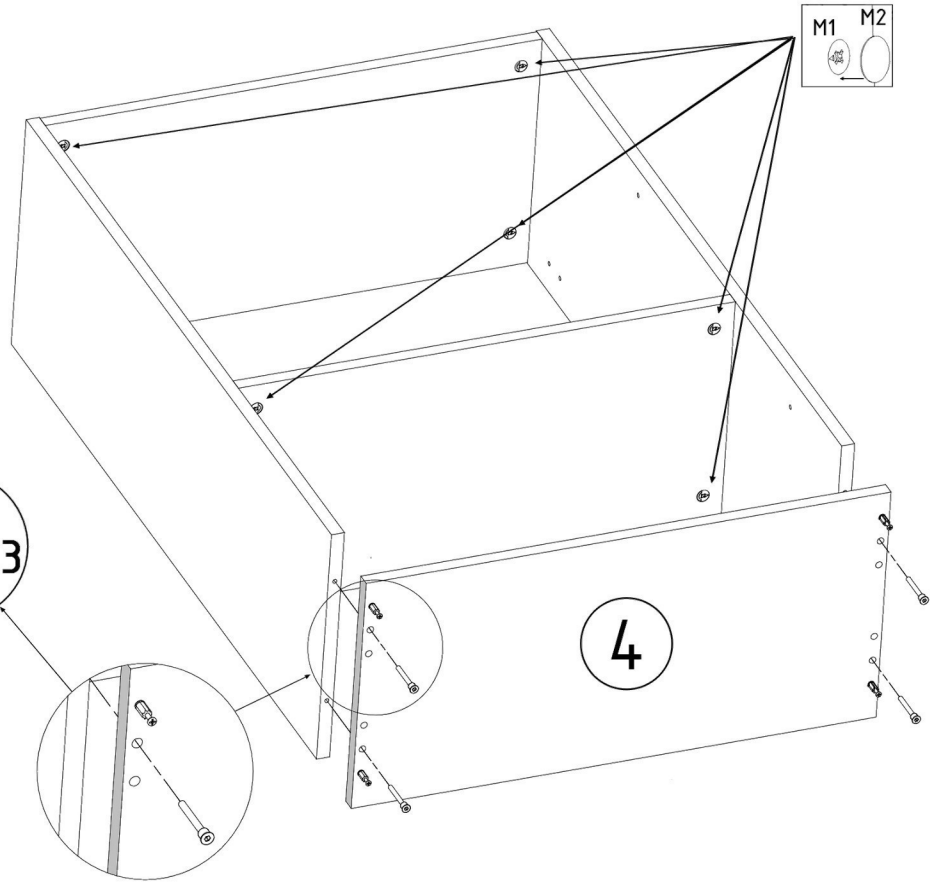
**N1**  
  
L=35mm **x4**




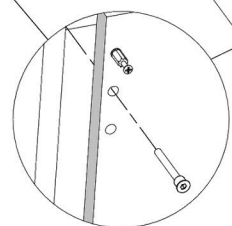
**F3**  



**F1**  
  
7x50mm **x4**

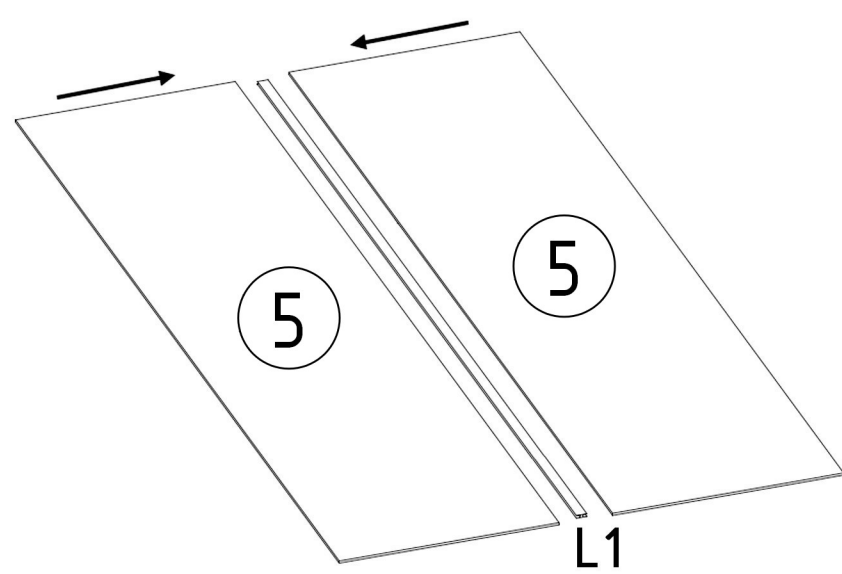
**M2**  
  
**x8**

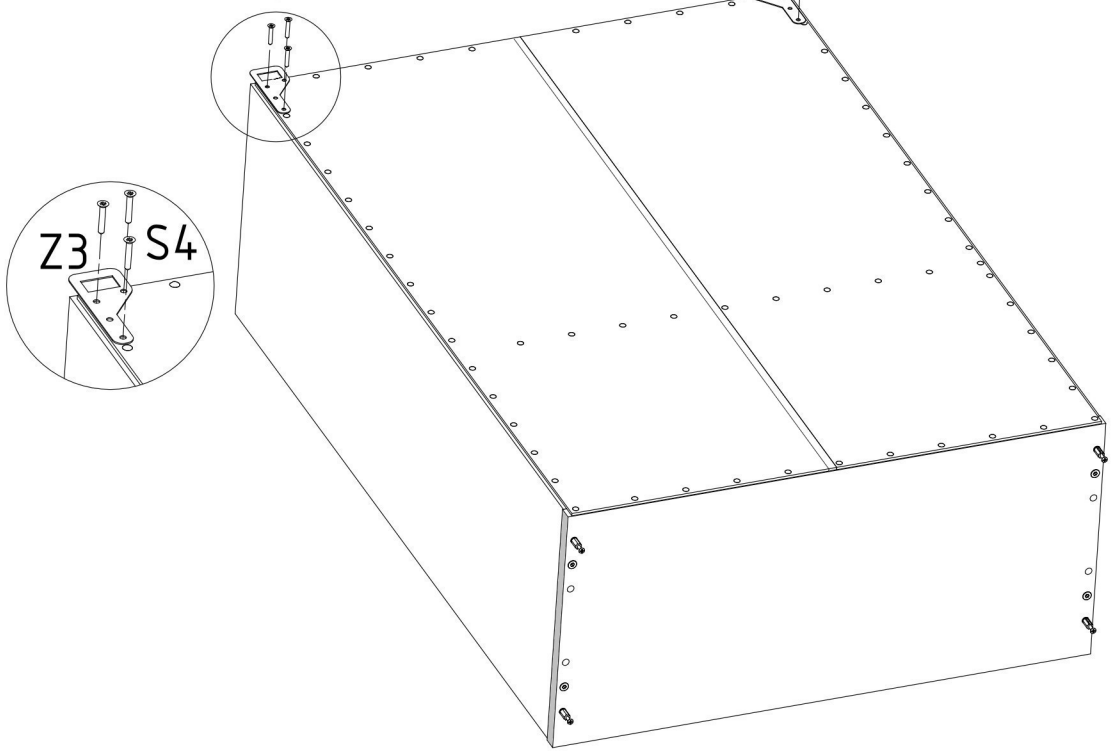
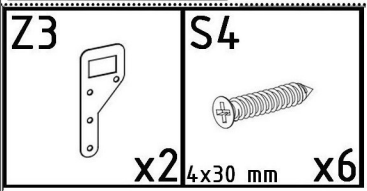
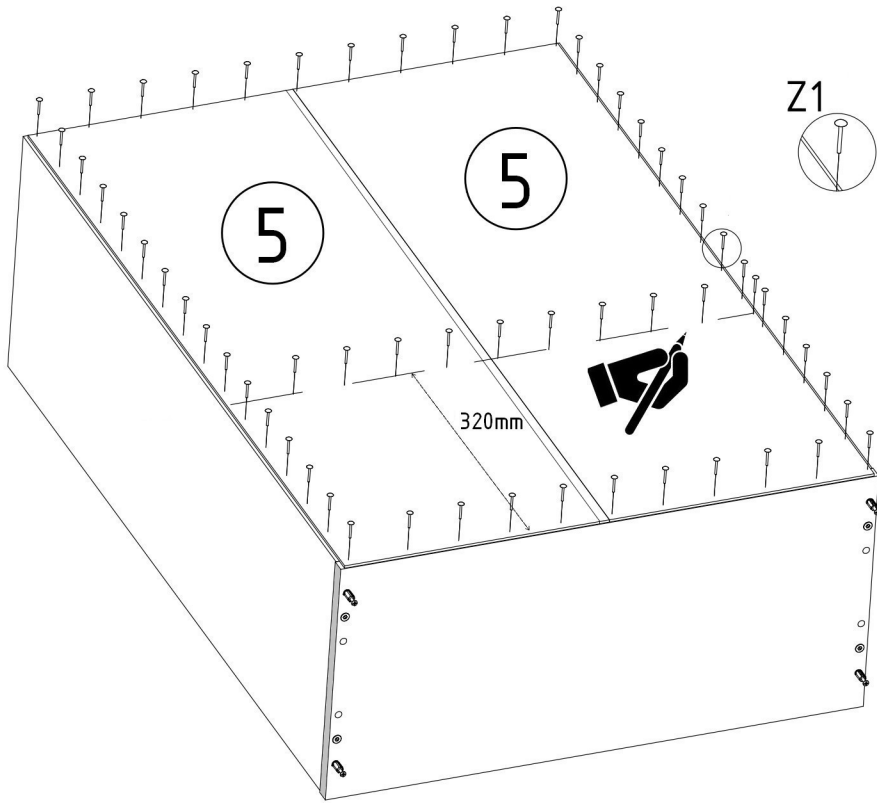
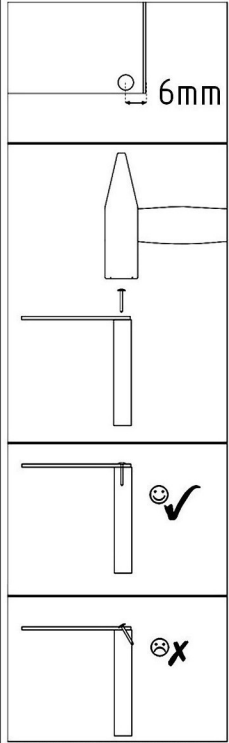
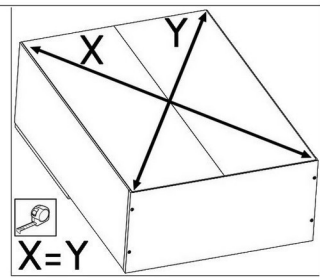
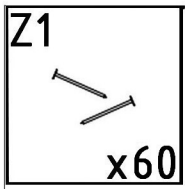






**F1** **F3**  


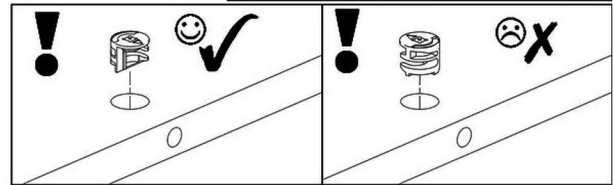
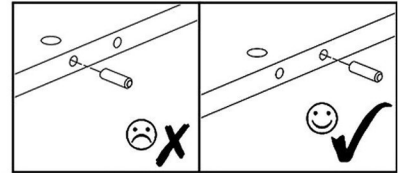
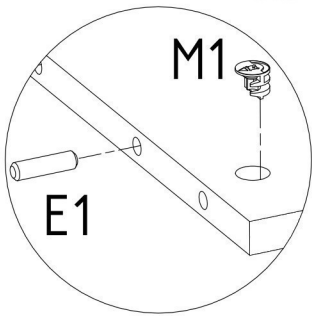
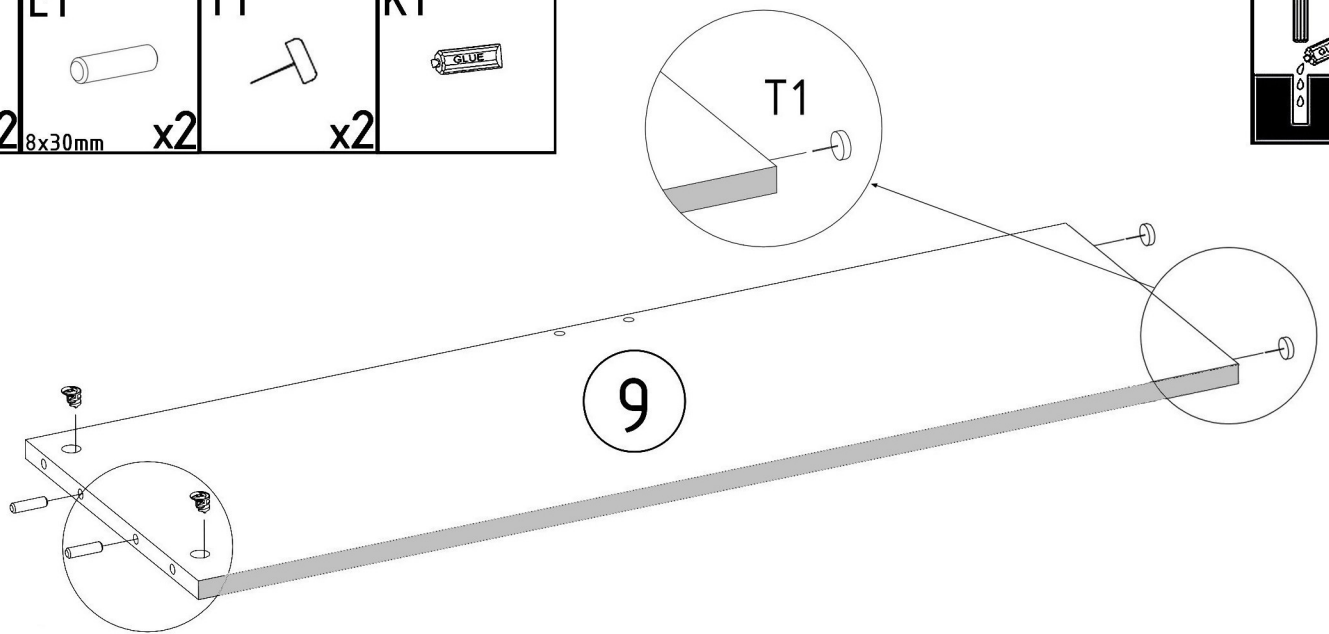





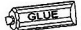
**L1**  
  
**x1**

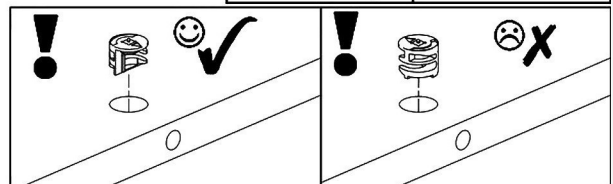
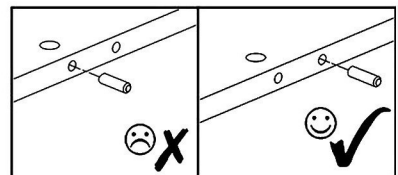
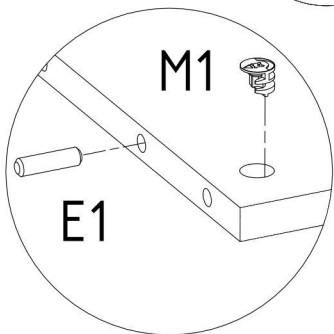
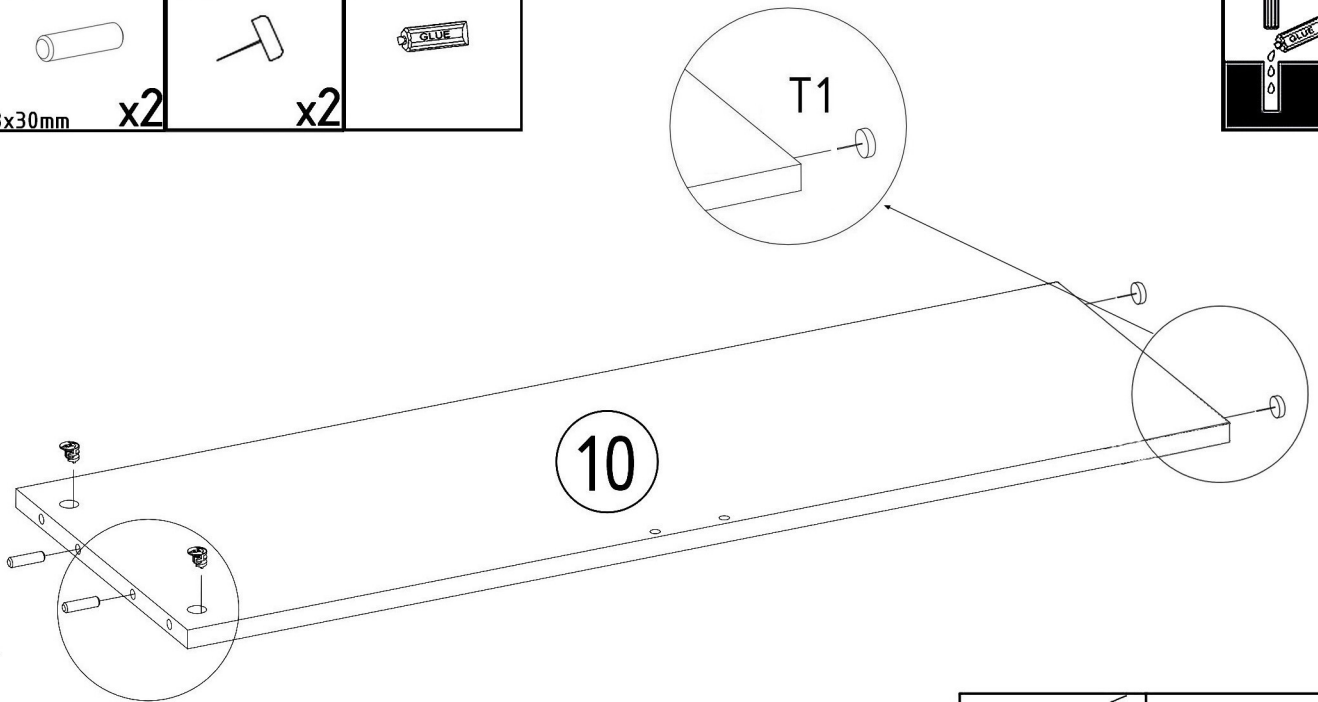
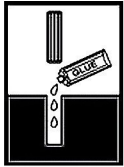


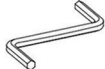
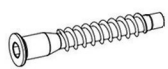


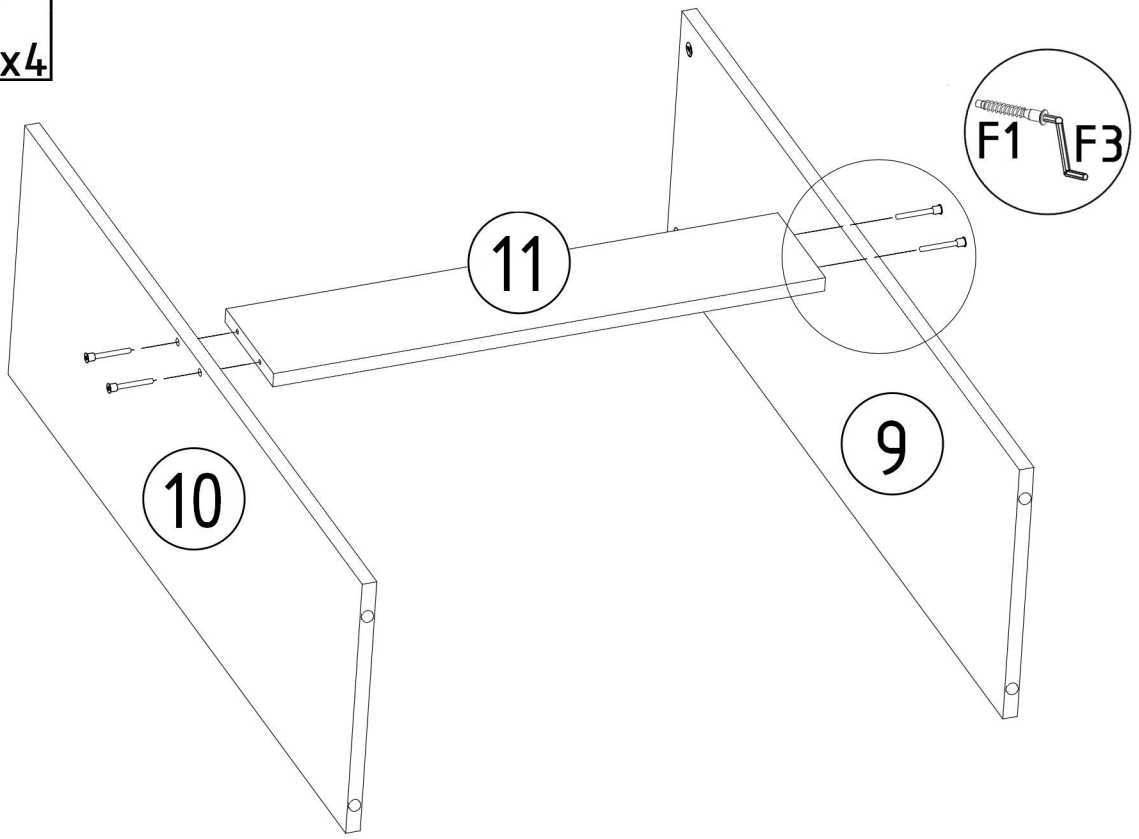
|   |   |  |  |
|---|---|--|--|
| <b>M1</b><br><br>12x15mm x2 | <b>E1</b><br><br>8x30mm x2 | <b>T1</b><br><br>x2 | <b>K1</b><br><br>GLUE |
|---|---|--|--|





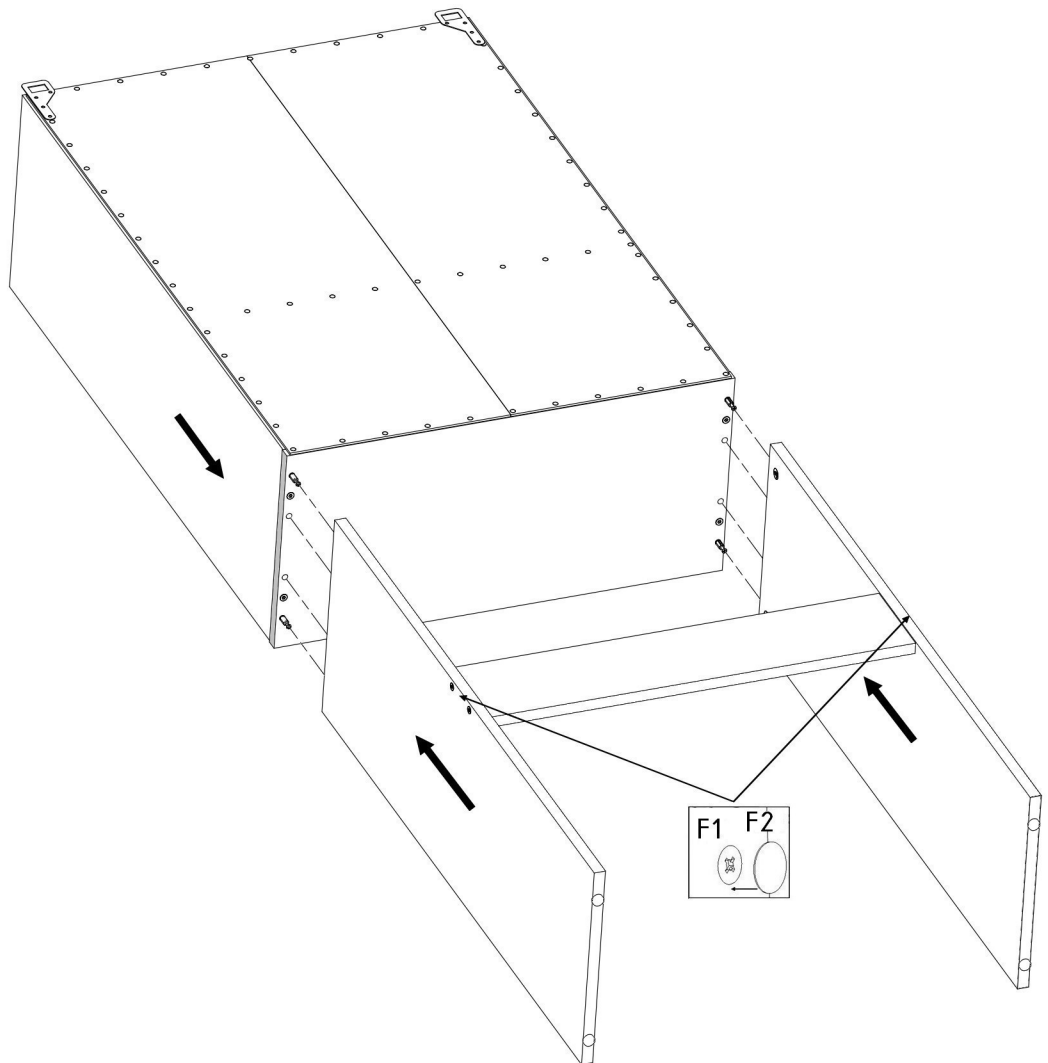
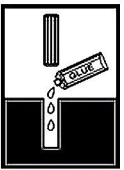
|   |   |  |  |
|---|---|--|--|
| <b>M1</b><br><br>12x15mm x2 | <b>E1</b><br><br>8x30mm x2 | <b>T1</b><br><br>x2 | <b>K1</b><br><br>GLUE |
|---|---|--|--|



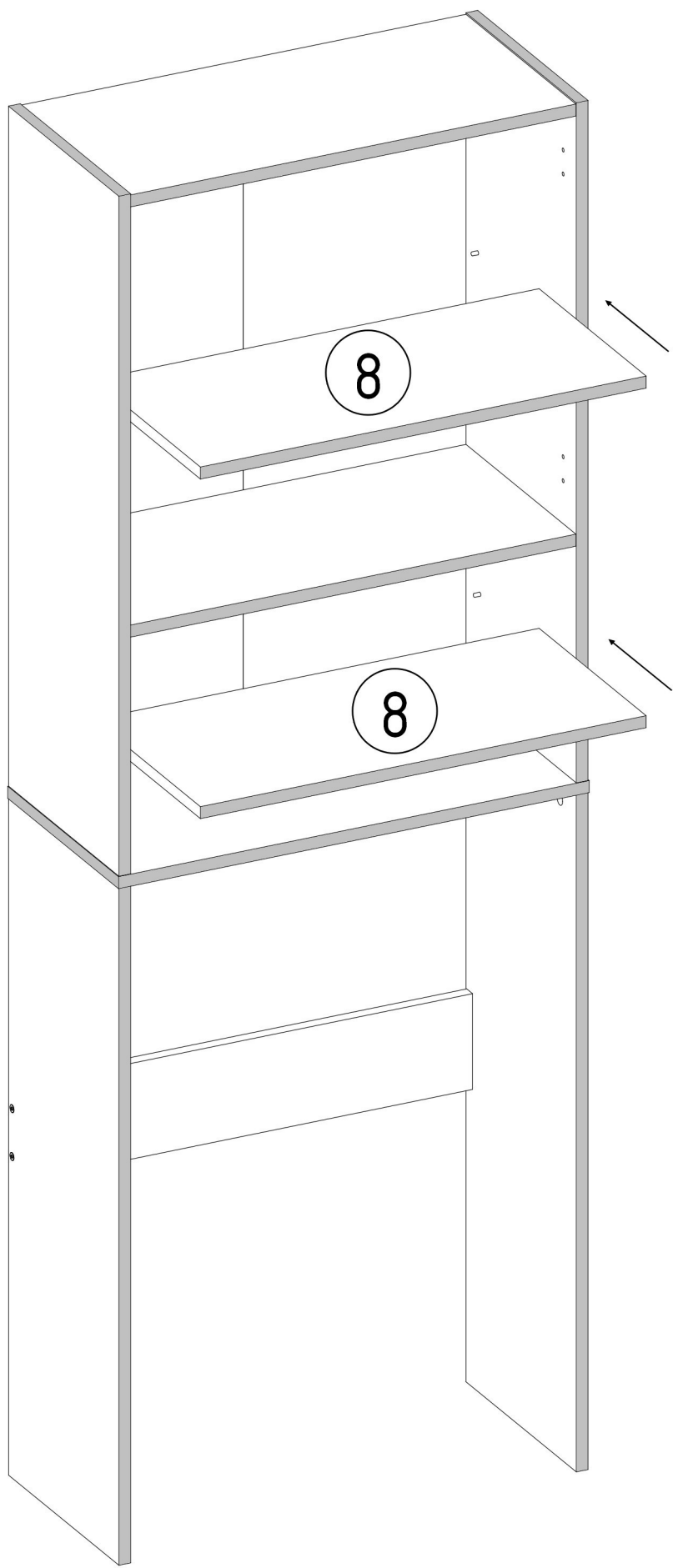
|   |  |
|---|--|
| <b>F3</b><br> | <b>F1</b><br><br>7x50mm <b>x4</b> |
|---|--|





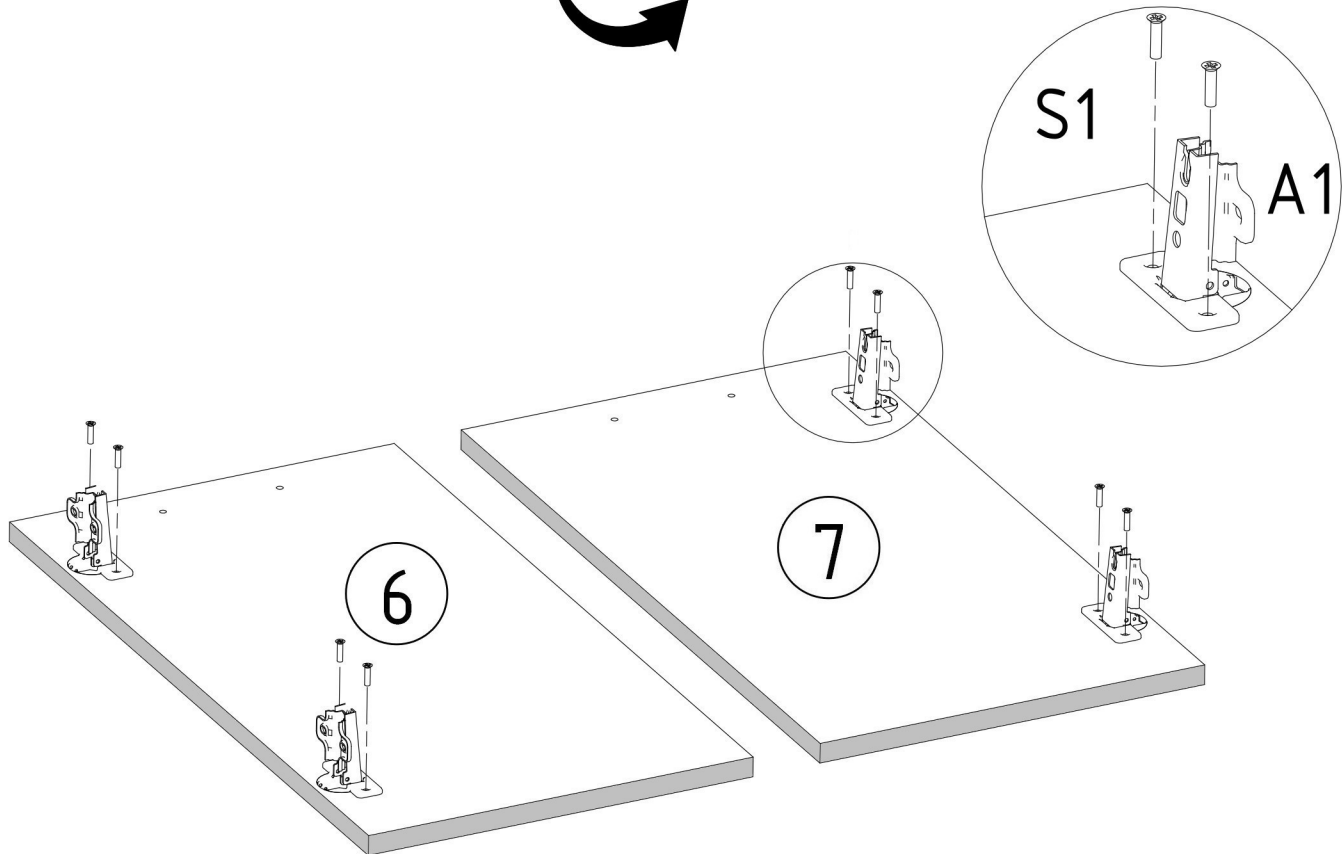
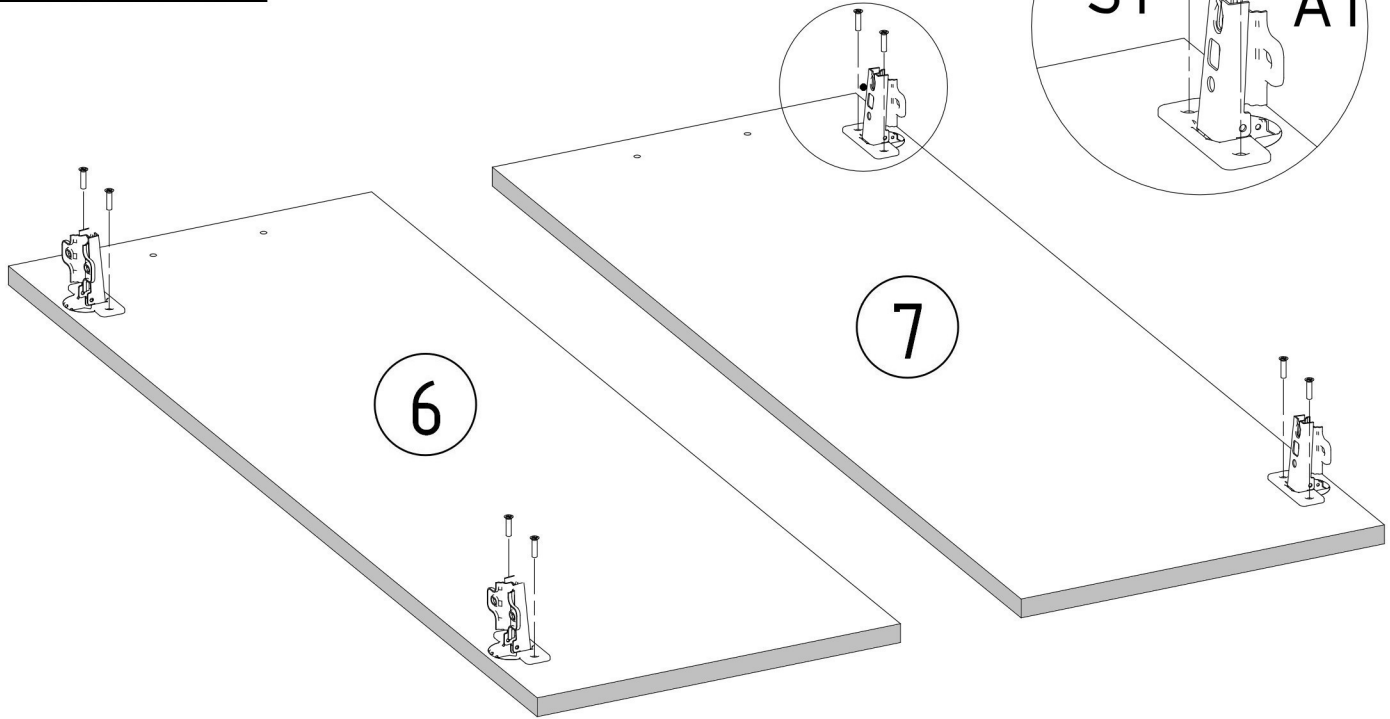
|   |
|---|
| <b>K1</b><br>                 |
| <b>F2</b> x8<br><br><b>x4</b> |

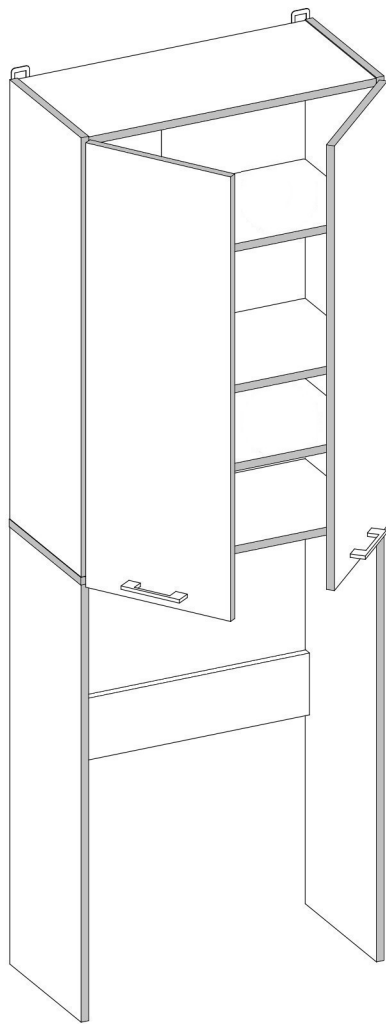


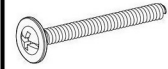
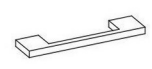



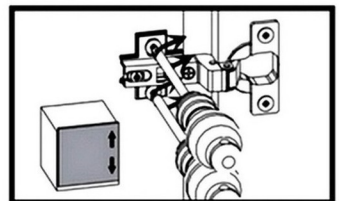
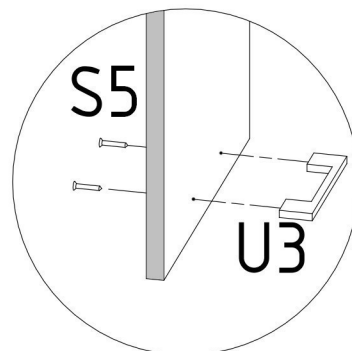
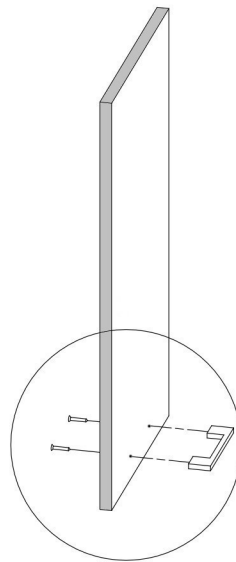
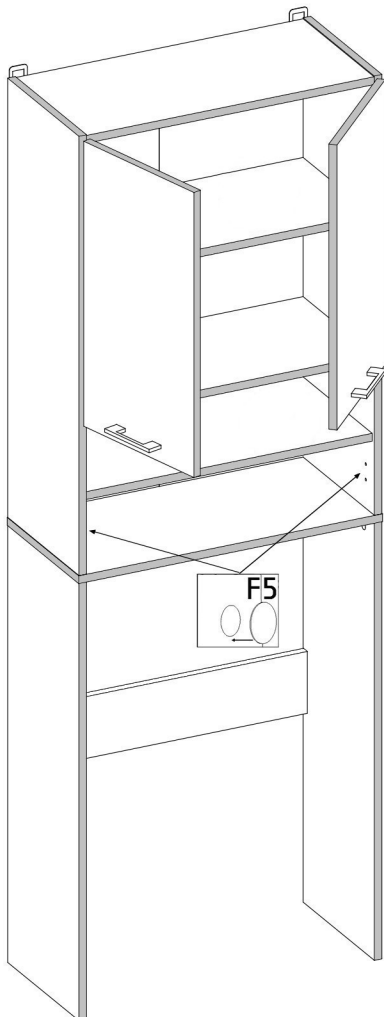
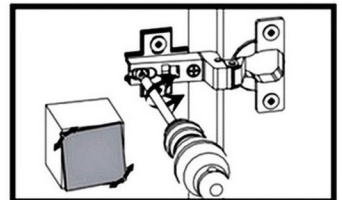
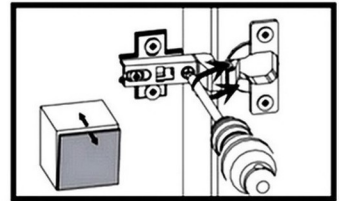
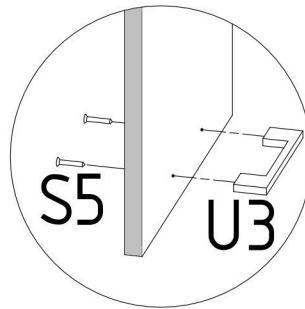
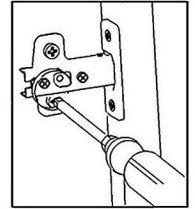
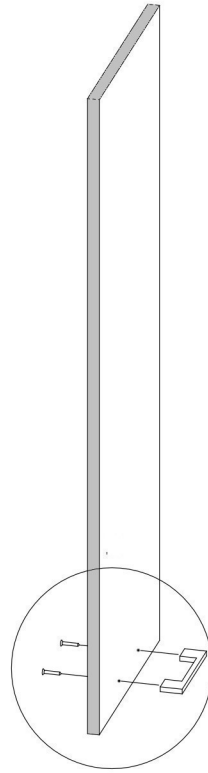


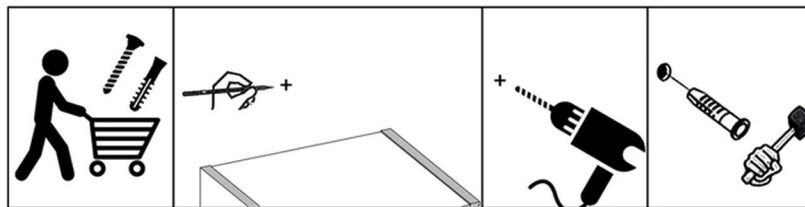
|   |  |
|---|--|
| <b>A1</b><br> | <b>S1</b><br> |
| ZP  | <b>X4</b> 3,5x16mm <b>X8</b>   |





|   |  |   |
|---|--|---|
| <b>S5</b><br><br>4x27 mm <b>x4</b> | <b>U3</b><br><br>L=96/137mm <b>x2</b> | <b>F5</b><br><br><b>x4</b> |
|---|--|---|





590 mm

590 mm

