

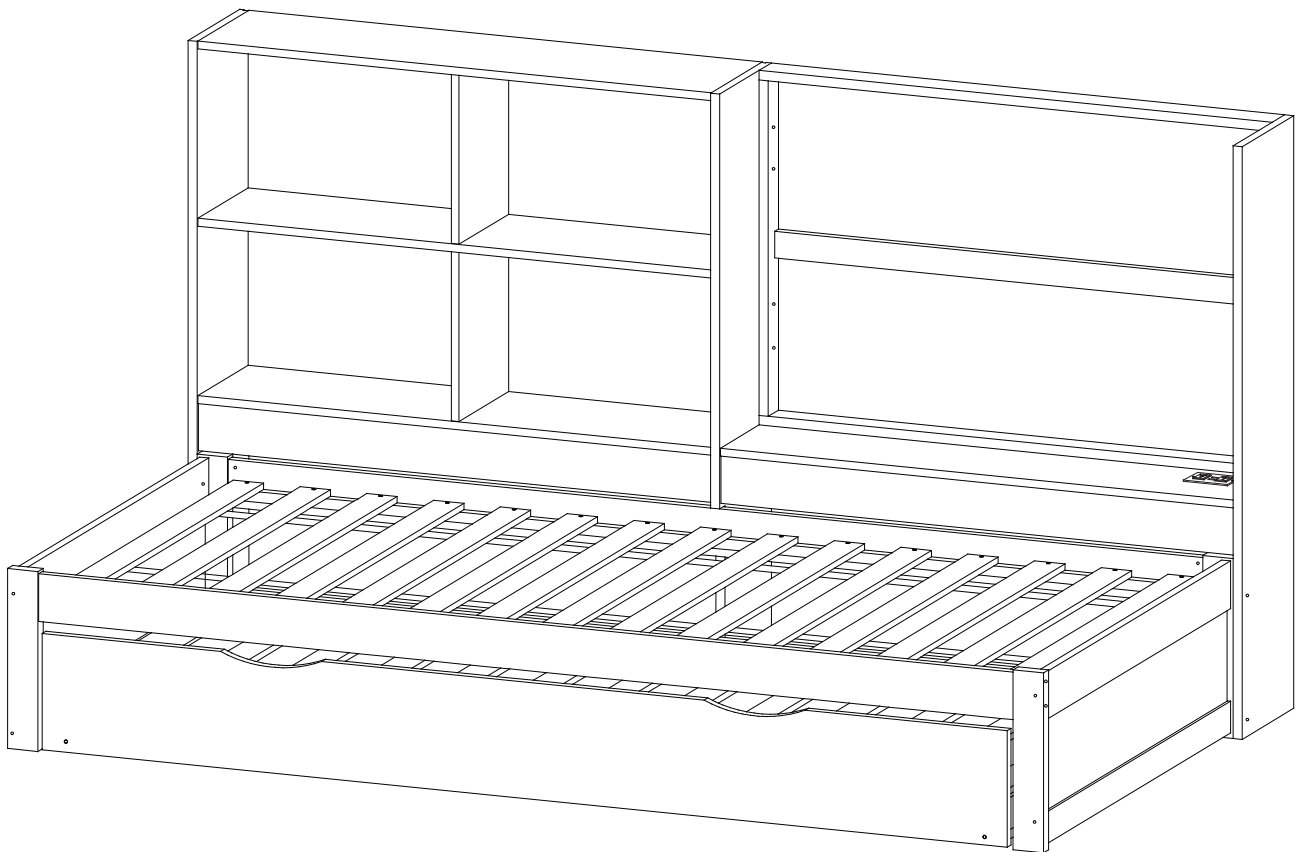
MONTAGEINSTRUKTIONEN

Tagesbett

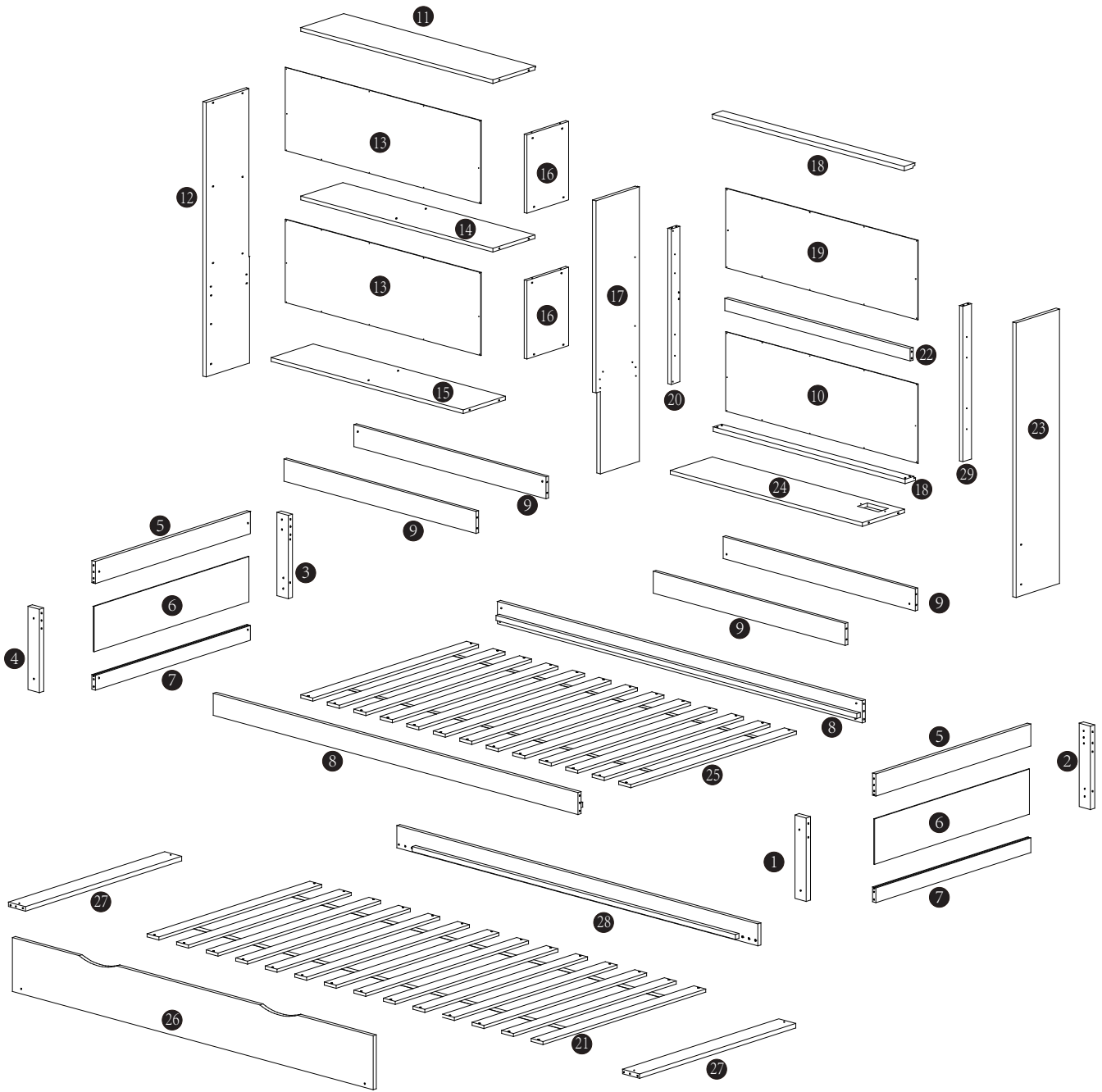
WF318296

WF318297


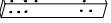


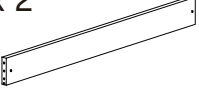


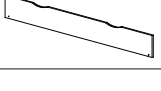


WF318298



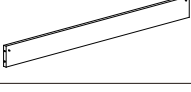

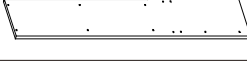
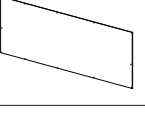

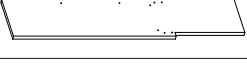
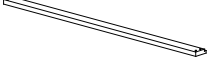
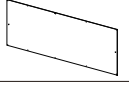



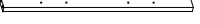
Detailansicht



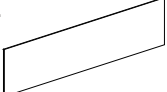

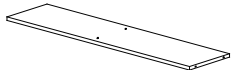
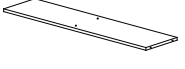
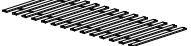


WF318296

| | | | |
|--|--|---|--|
| ① x 1  | ② x 1  | ③ x 1  | ④ x 1  |
| ⑤ x 2  | ⑦ x 2  | ⑧ x 2  | ⑳ x 1  |
| ㉓ x 2  | ㉔ x 1  | | |








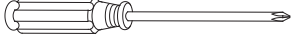



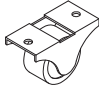
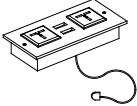
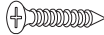


WF318297

| | | | |
|--|--|---|--|
| ⑨ x 4  | ⑩ x 1  | ⑫ x 1  | ⑬ x 2  |
| ⑯ x 2  | ⑰ x 1  | ⑱ x 2  | ㉑ x 1  |
| ㉒ x 1  | ㉔ x 1  | ㉕ x 1  | ㉖ x 1  |

WF318298

| | | | |
|--|--|---|--|
| ⑥ x 2  | ⑪ x 1  | ⑭ x 1  | ⑮ x 1  |
| ㉗ x 1  | ㉘ x 1  | ㉙ x 1  | |





WF318298

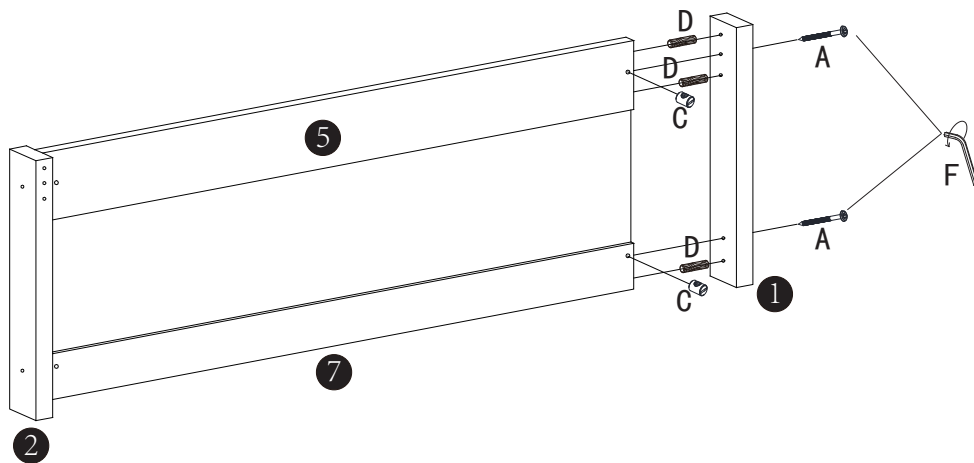
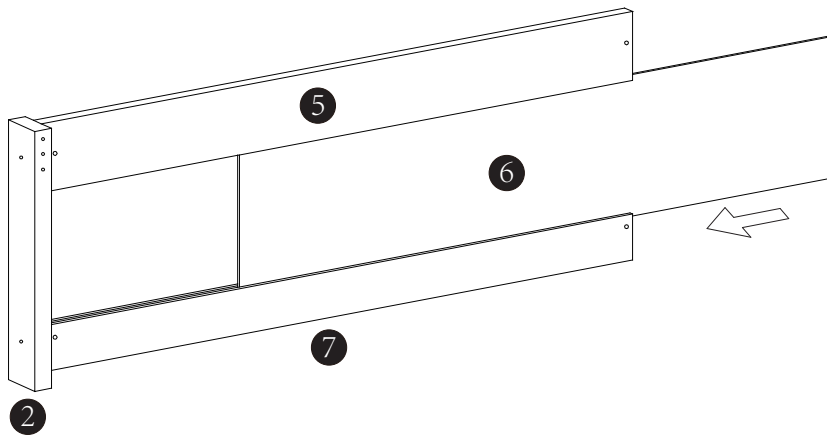
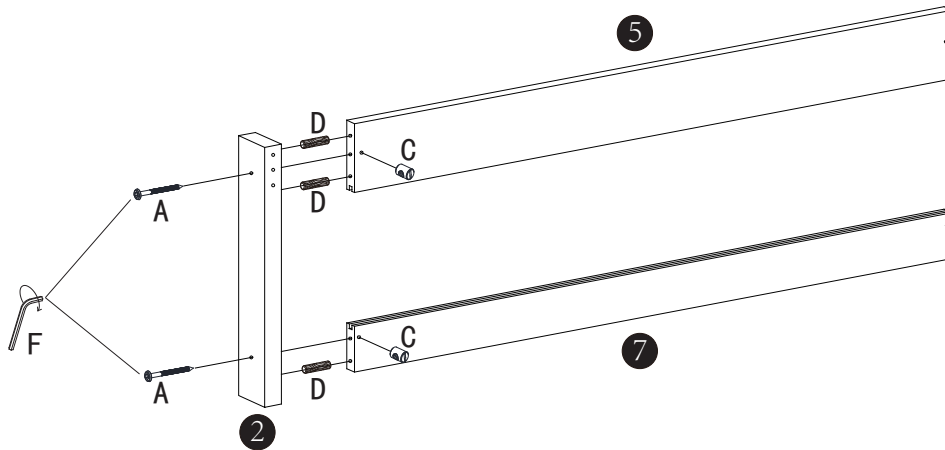
| | | |
|---|---|---|
| A  | B  | C  |
| M6*70mm (12pcs) | M6*100mm(8pcs) | Φ 10*13mm (20pcs) |
| D  | E  | F  |
| Φ 8*30mm (38pcs) | Φ 4*30mm(54pcs) | (2pcs) |
| G  | H  | I  |
| Φ 6*20mm (38pcs) | (1pc) | M6*20mm(4pcs) |
| J  | K  | L  |
| Φ 3.5*20mm(48pcs) | Φ 3.5*14mm(10pcs) | (4pcs) |
| M  | N  | O  |
| (1pc) | Φ 4*25mm(8pcs) | M6*60mm (4pcs) |
| P  | | |
| (38pcs) | | |

VERWENDEN SIE KEINE POWER TOOLS, um dieses Produkt zusammenzubauen!
 Do not use power tools to assemble this product!





Anmerkung:
Wir empfehlen Ihnen, Ihr Bett im flachen Boden zusammenzubauen

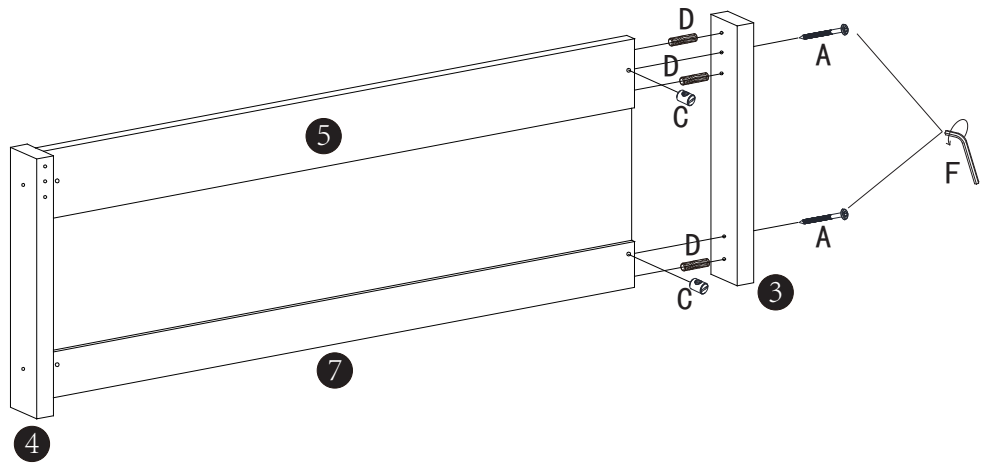
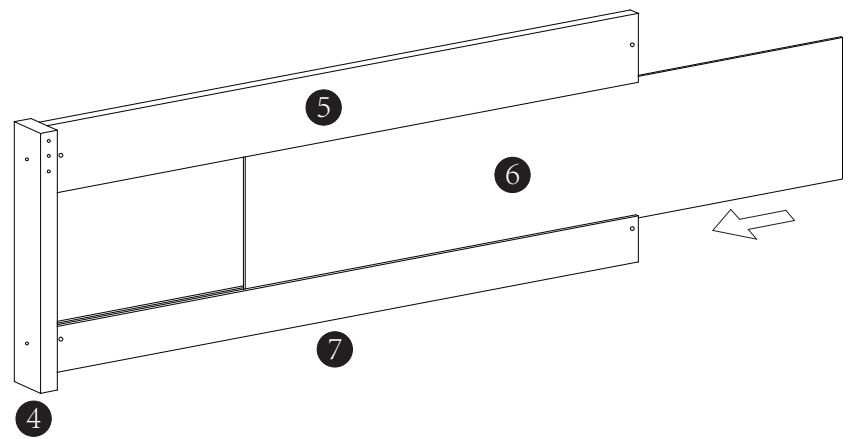
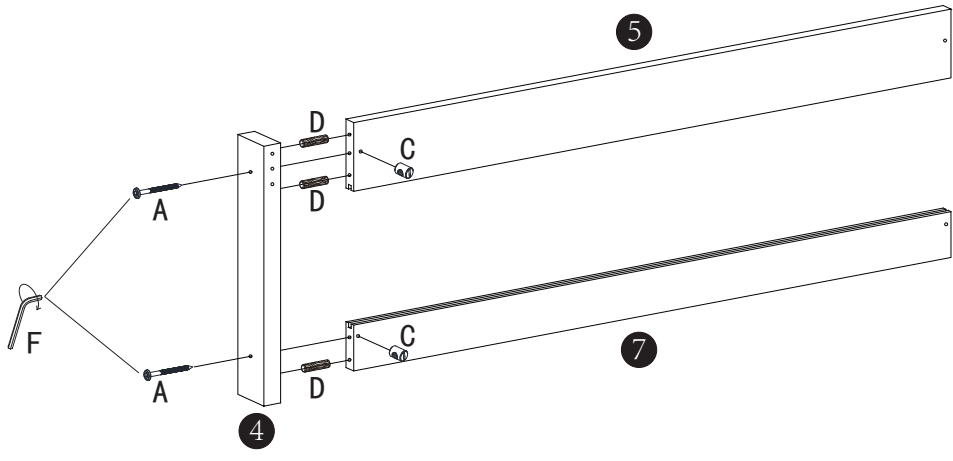
SCHRITT 1:

| | | | | | | | |
|----------|---|----------|---|----------|---|----------|---|
| A |  | C |  | D |  | F |  |
| 4PCS | | 4PCS | | 6PCS | | 1PC | |







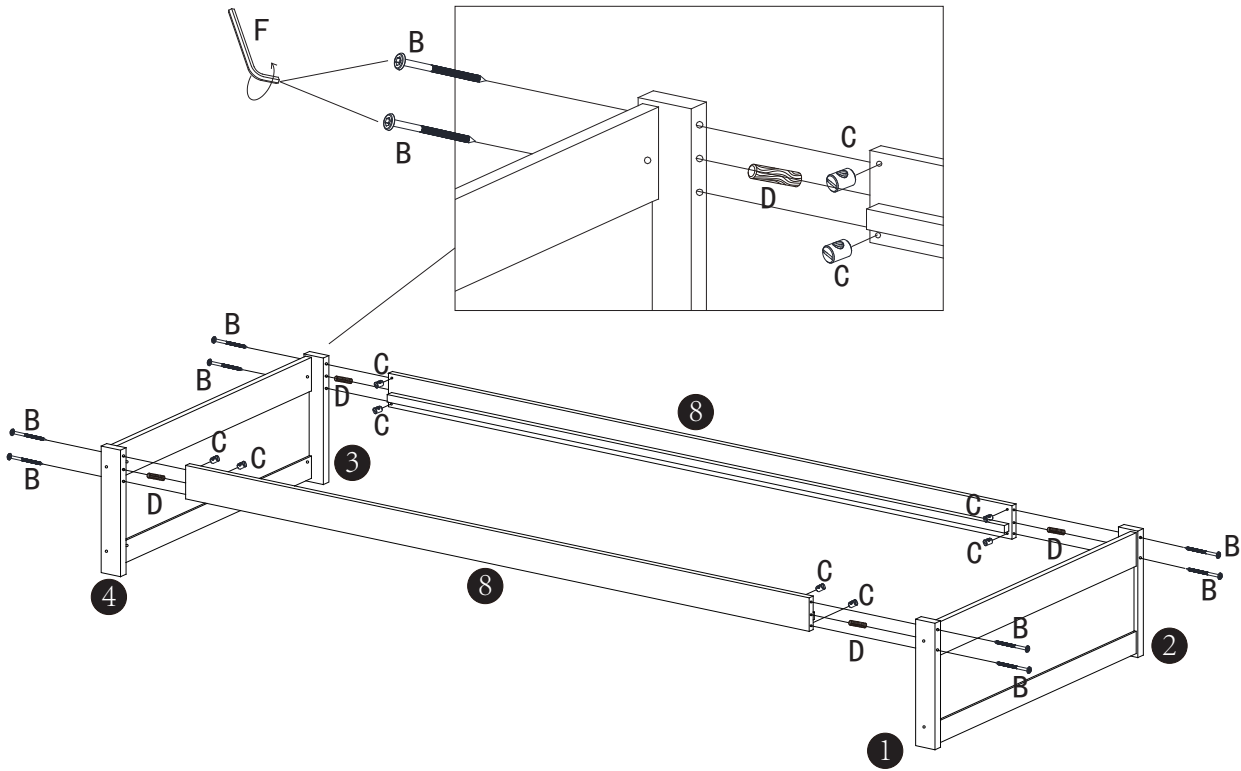
SCHRITT 2:

| | | | | | | | |
|-------------|---|-------------|---|-------------|---|------------|---|
| A |  | C |  | D |  | F |  |
| 4PCS | | 4PCS | | 6PCS | | 1PC | |






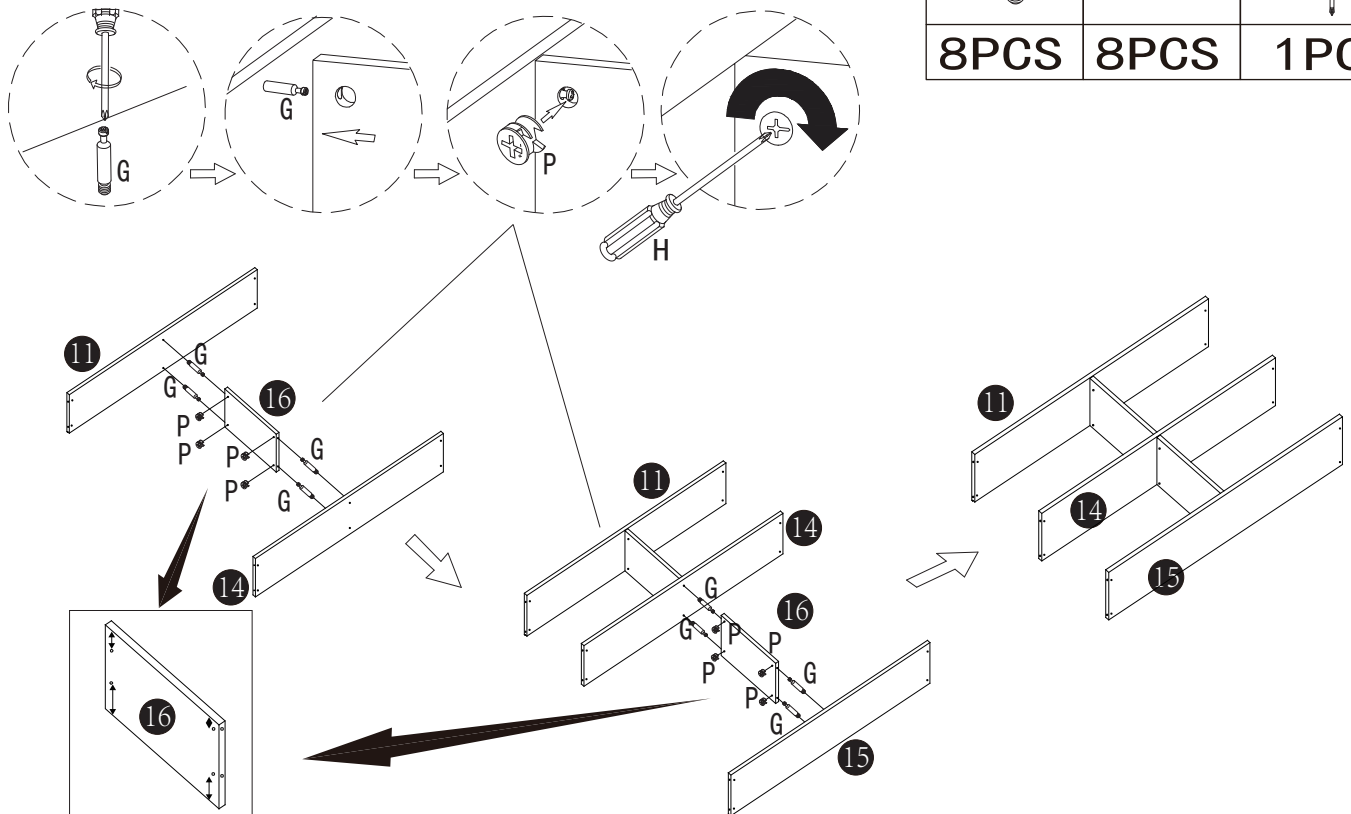
SCHRITT 3:

| | | | | | | | |
|-------------|---|-------------|---|-------------|---|------------|---|
| B |  | C |  | D |  | F |  |
| 8PCS | | 8PCS | | 4PCS | | 1PC | |







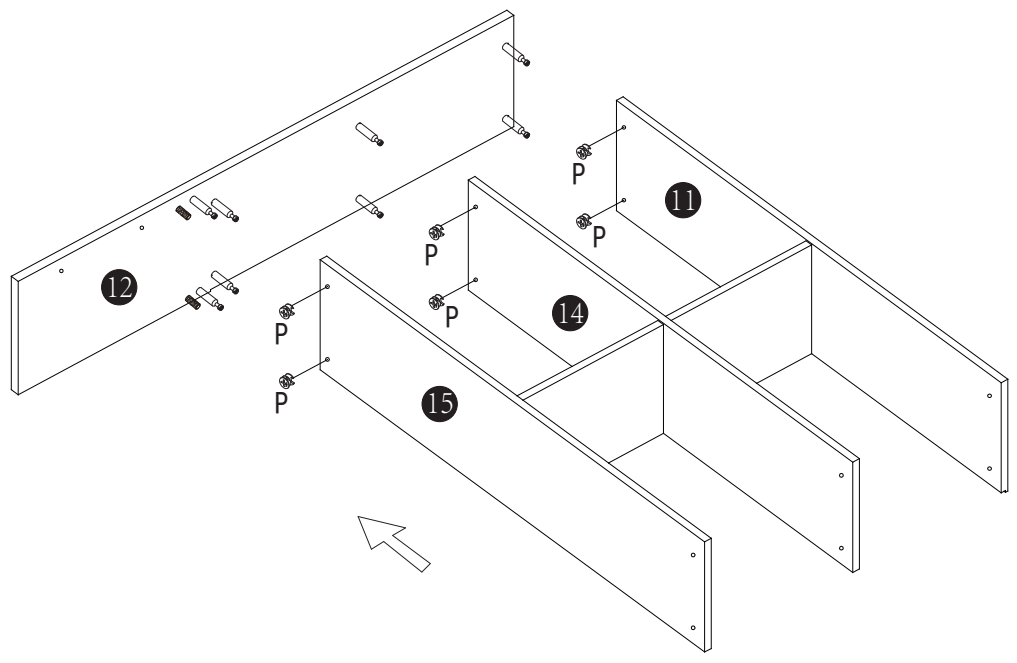
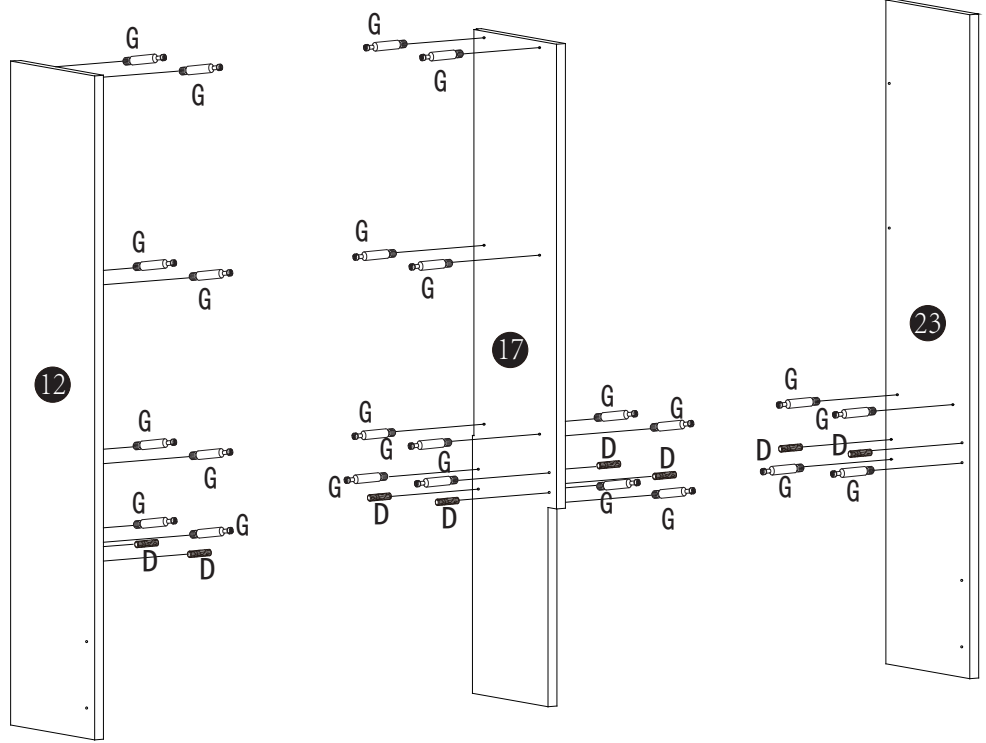
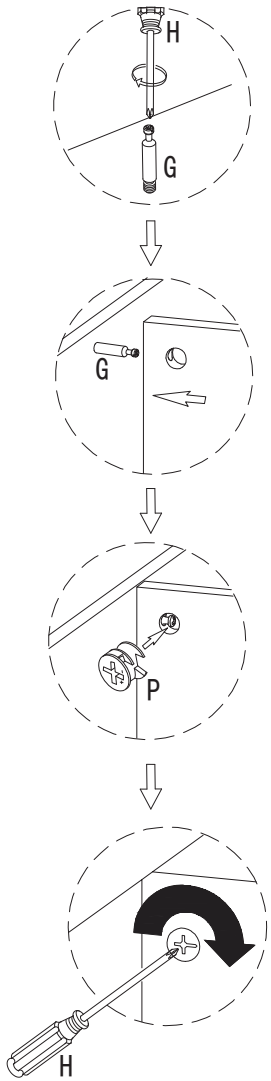
SCHRITT 4:

| | | | | | |
|-------------|---|-------------|---|------------|---|
| G |  | P |  | H |  |
| 8PCS | | 8PCS | | 1PC | |





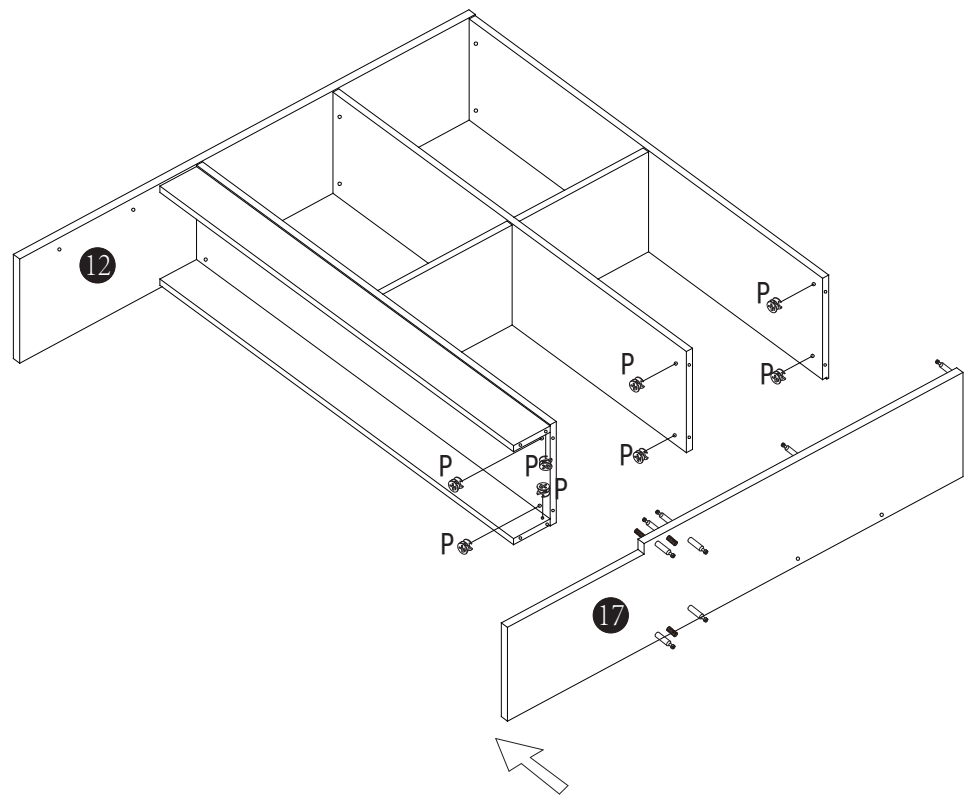
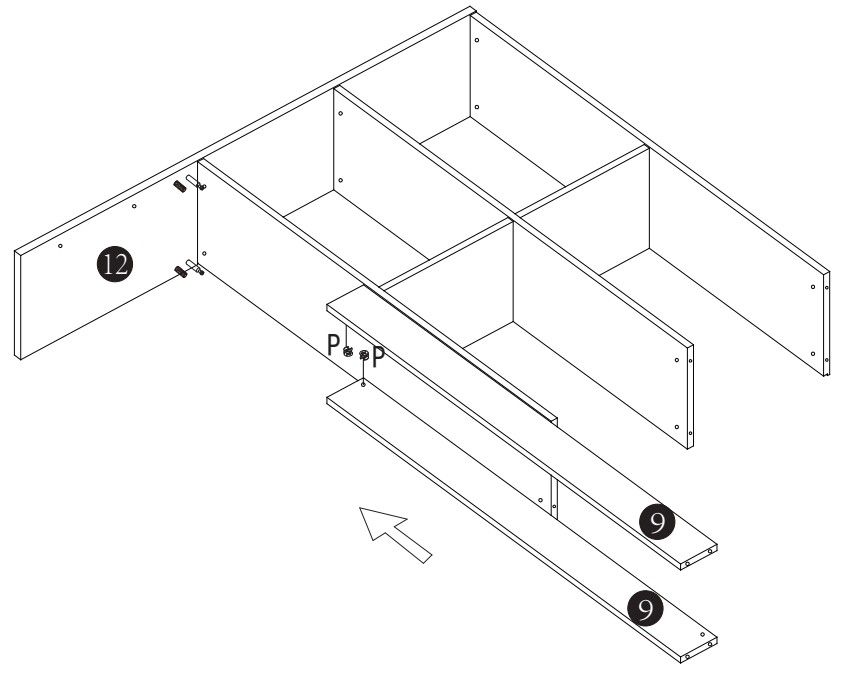
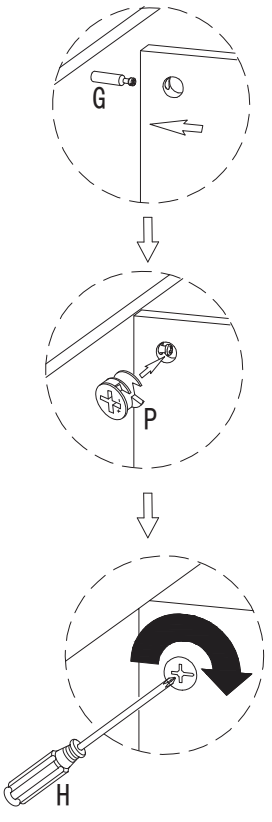
SCHRITT 5:

| | | | | | | | |
|-------------|---|--------------|---|-------------|---|------------|---|
| D |  | G |  | P |  | H |  |
| 8PCS | | 24PCS | | 6PCS | | 1PC | |





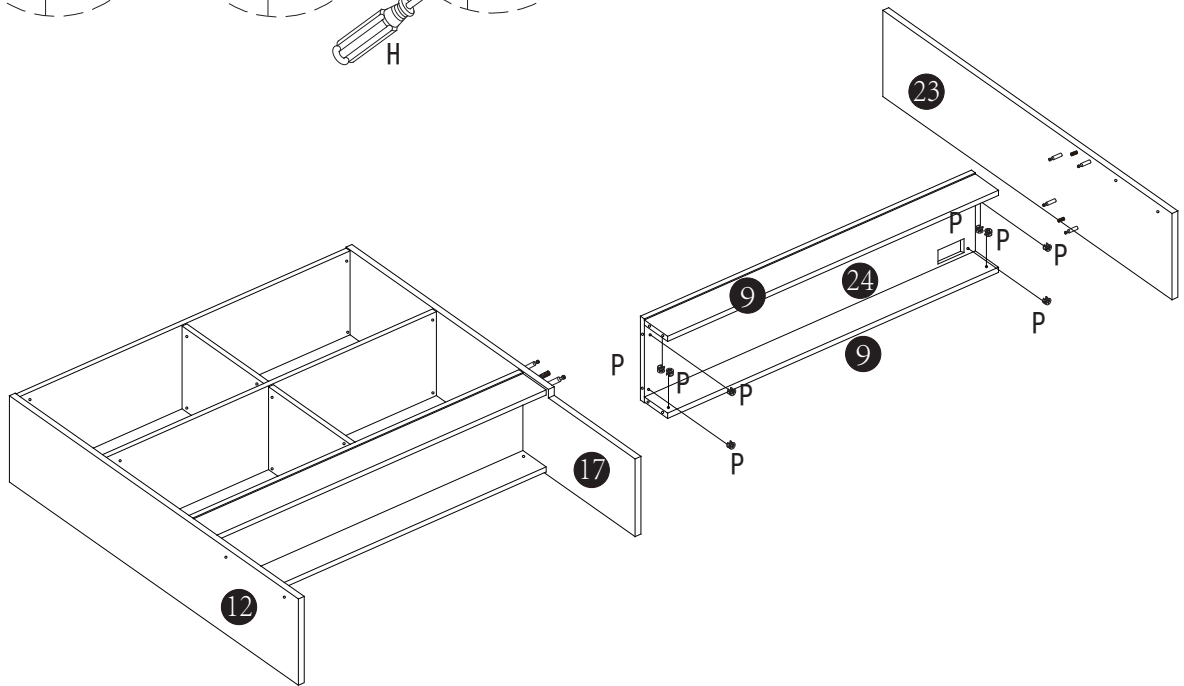
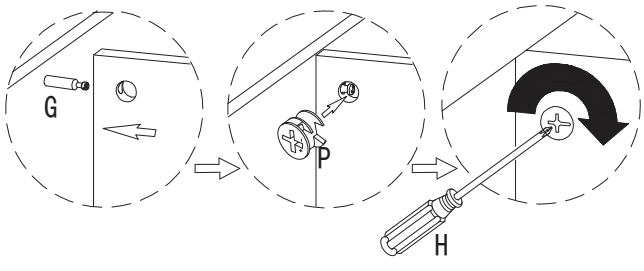
SCHRITT 6:

| | |
|---|---|
| P | H |
|  |  |
| 10PCS | 1PC |





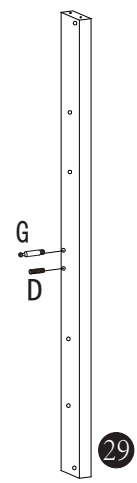
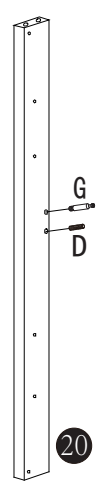
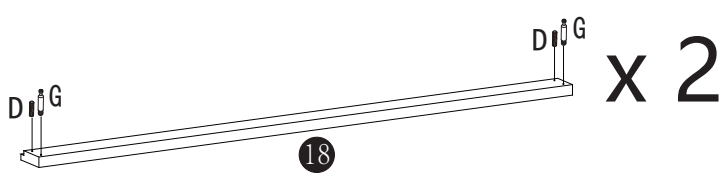
SCHRITT 7:

| | | | |
|------|---|-----|---|
| P |  | H |  |
| 8PCS | | 1PC | |





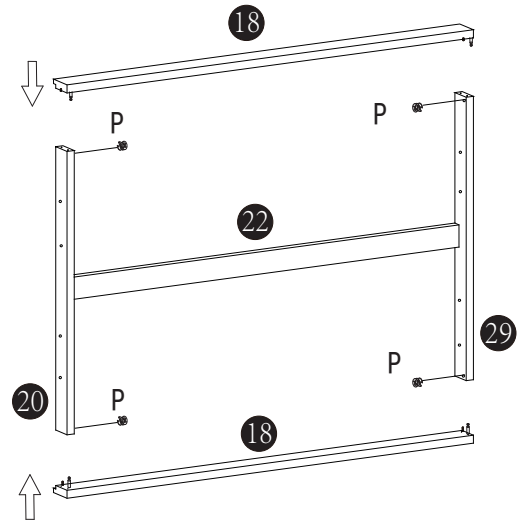
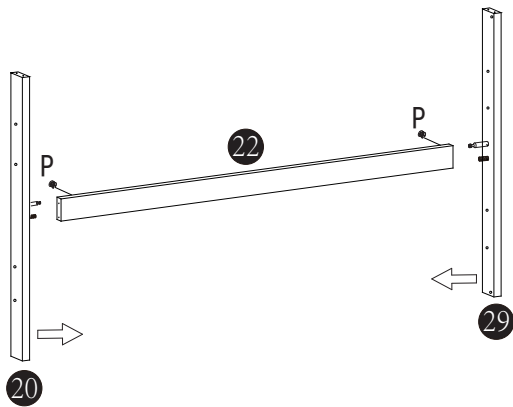
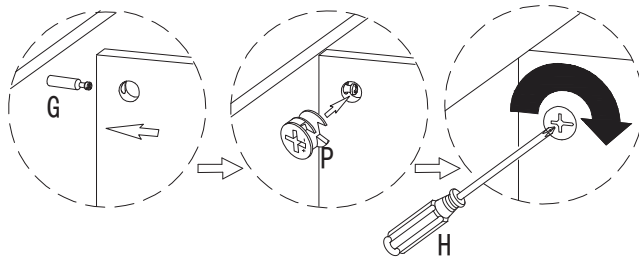
SCHRITT 8:

| | | | |
|------|---|------|---|
| D |  | G |  |
| 6PCS | | 6PCS | |





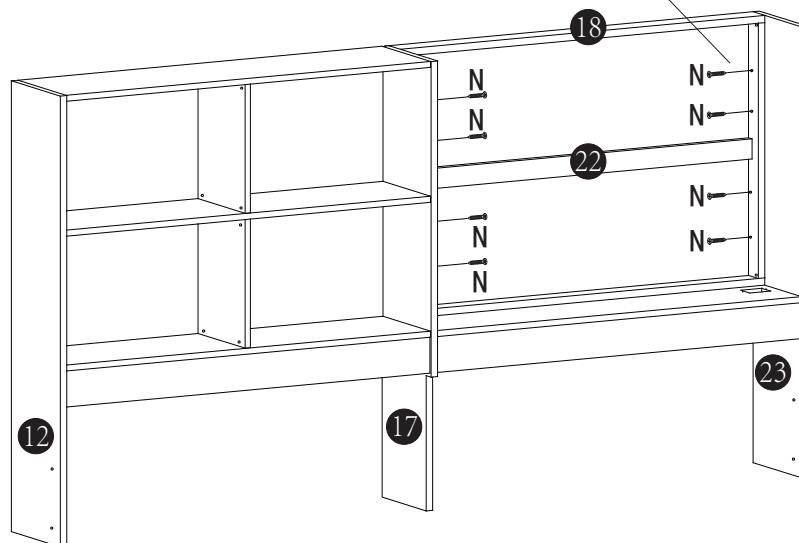
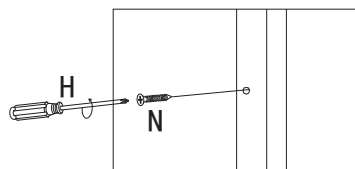
SCHRITT 9:

| | |
|---|---|
| P | H |
|  |  |
| 6PCS | 1PC |




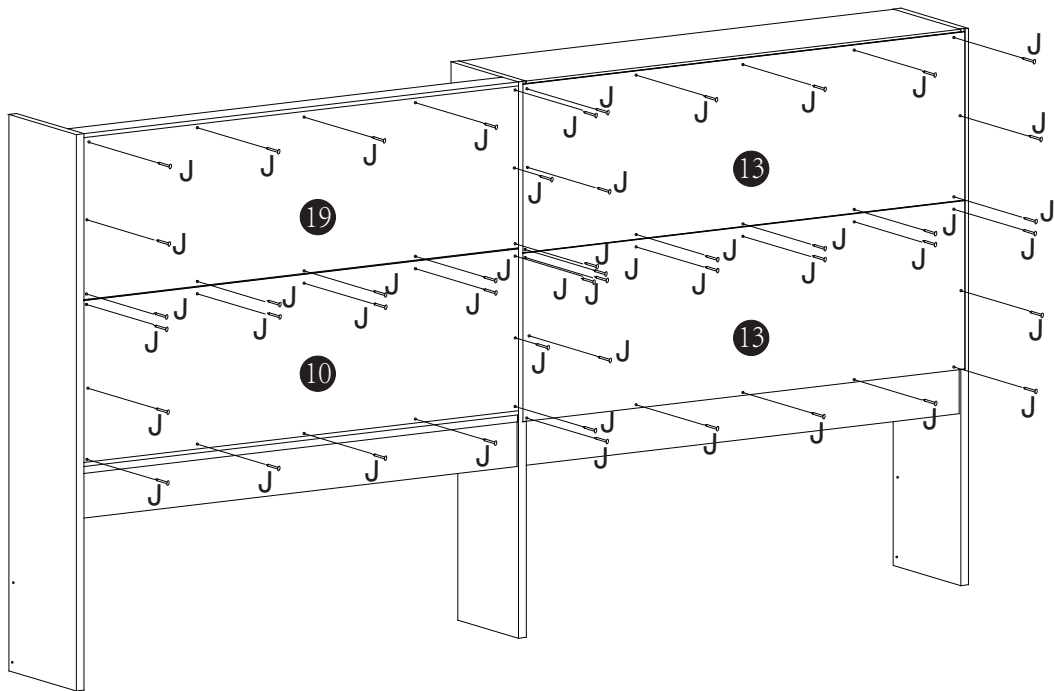
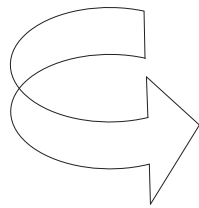
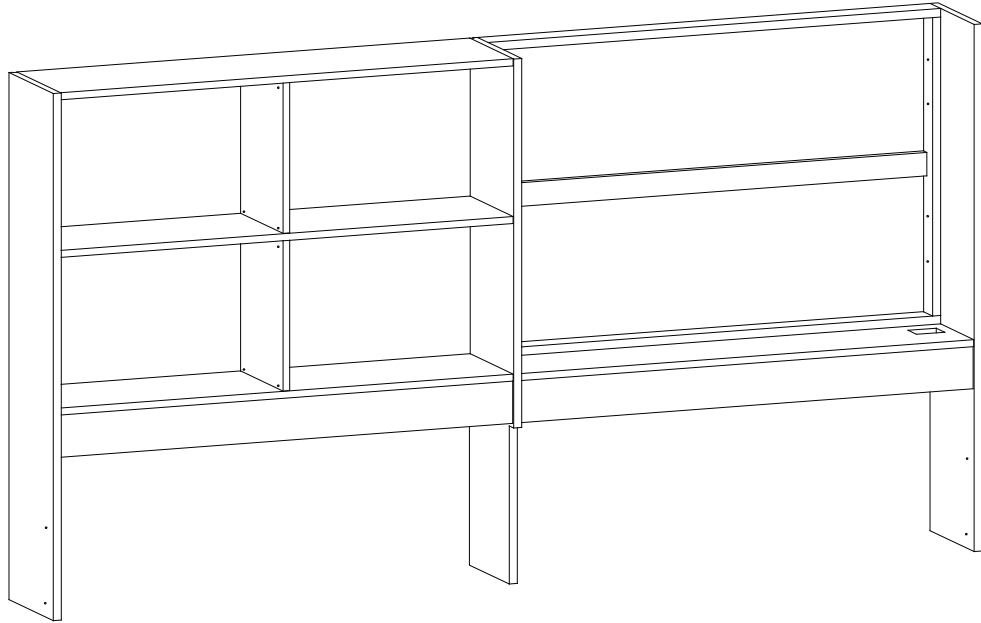
SCHRITT 10:

| | |
|---|---|
| N | H |
|  |  |
| 8PCS | 1PC |









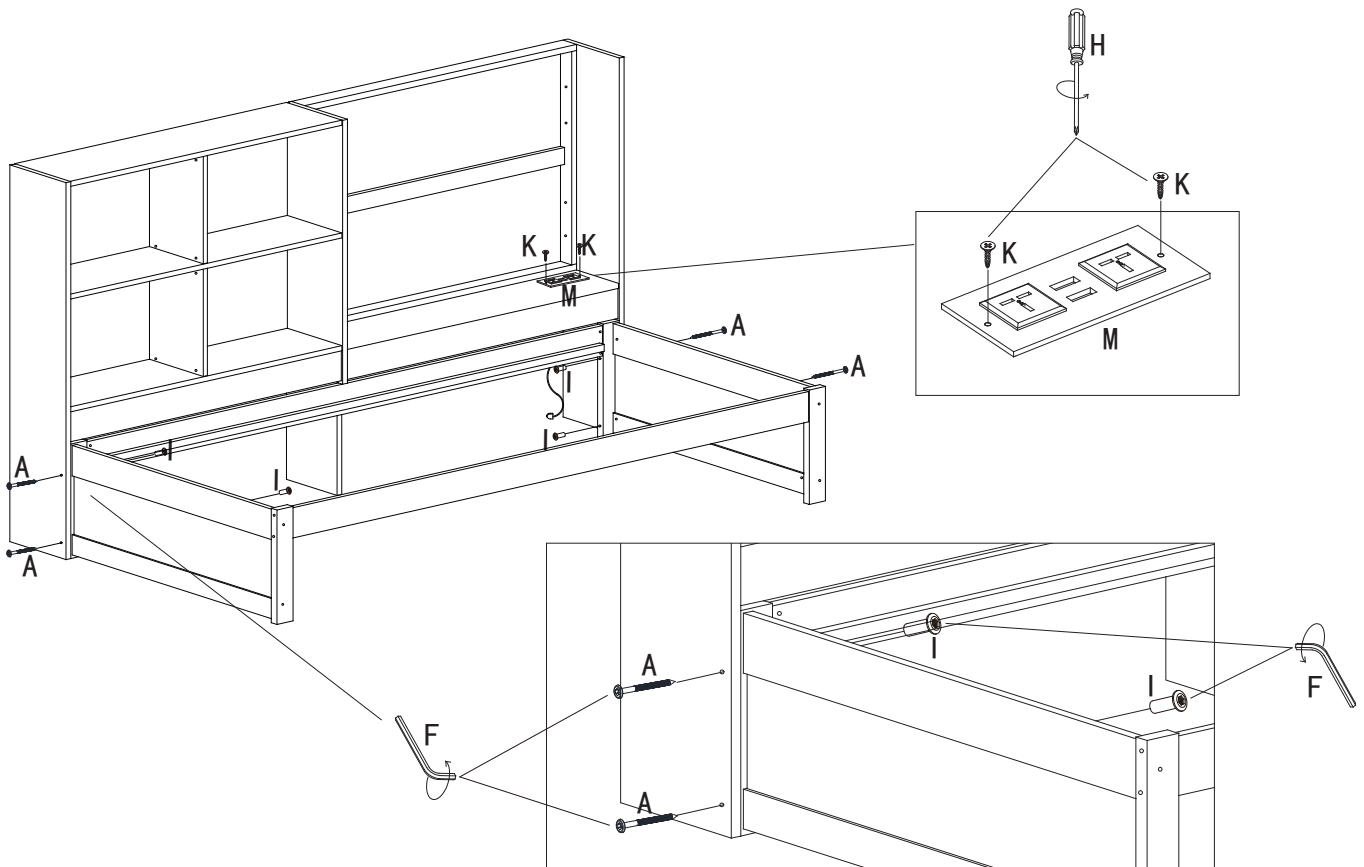
SCHRITT 11:

| | |
|-------|---|
| J |  |
| 48PCS | |





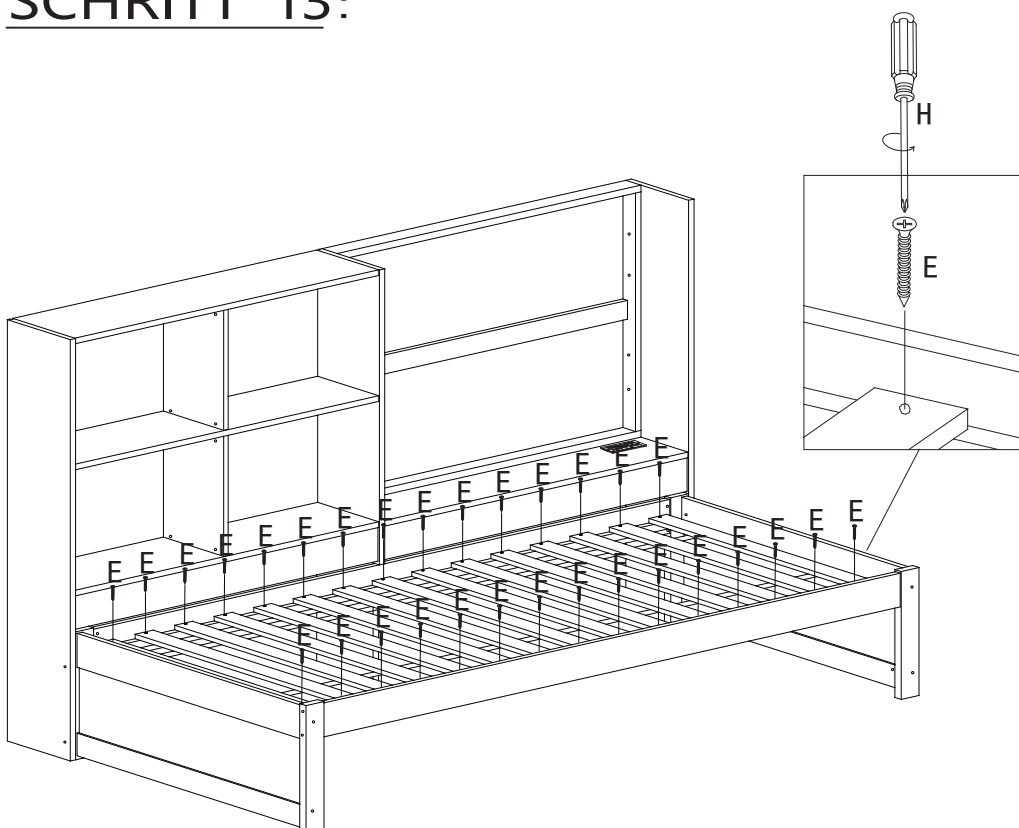
SCHRITT 12:

| | | | | | |
|---|---|---|---|---|---|
| A  | F  | H  | I  | K  | M  |
| 4PCS | 2PCS | 1PC | 4PCS | 2PCS | 1PC |










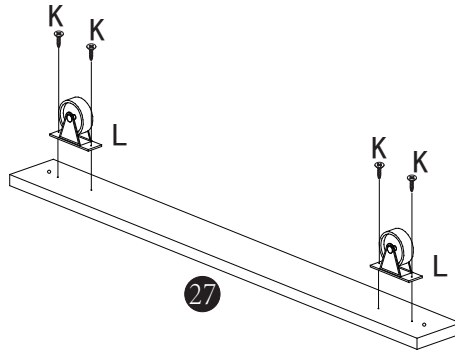
SCHRITT 13:

| | |
|---|---|
| E  | H  |
| 30PCS | 1PC |

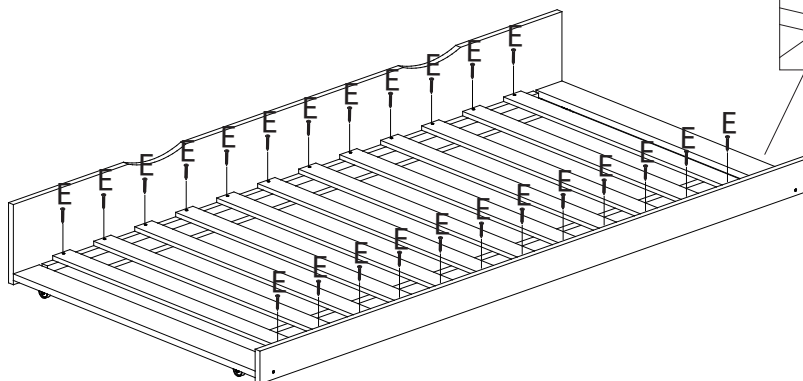
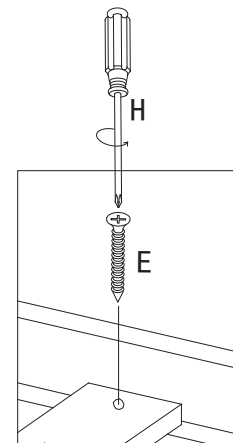
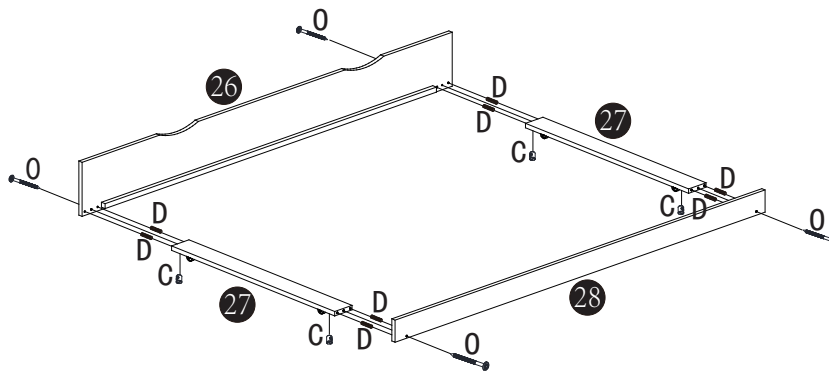


SCHRITT 14:

| | | | | |
|---|---|---|---|---|
| O | C | D | E | H |
|  |  |  |  |  |
| 4PCS | 4PCS | 8PCS | 24PCS | 1PC |
| | | | K | L |
| | | |  |  |
| | | | 8PCS | 4PCS |



x 2



SCHRITT 15:

