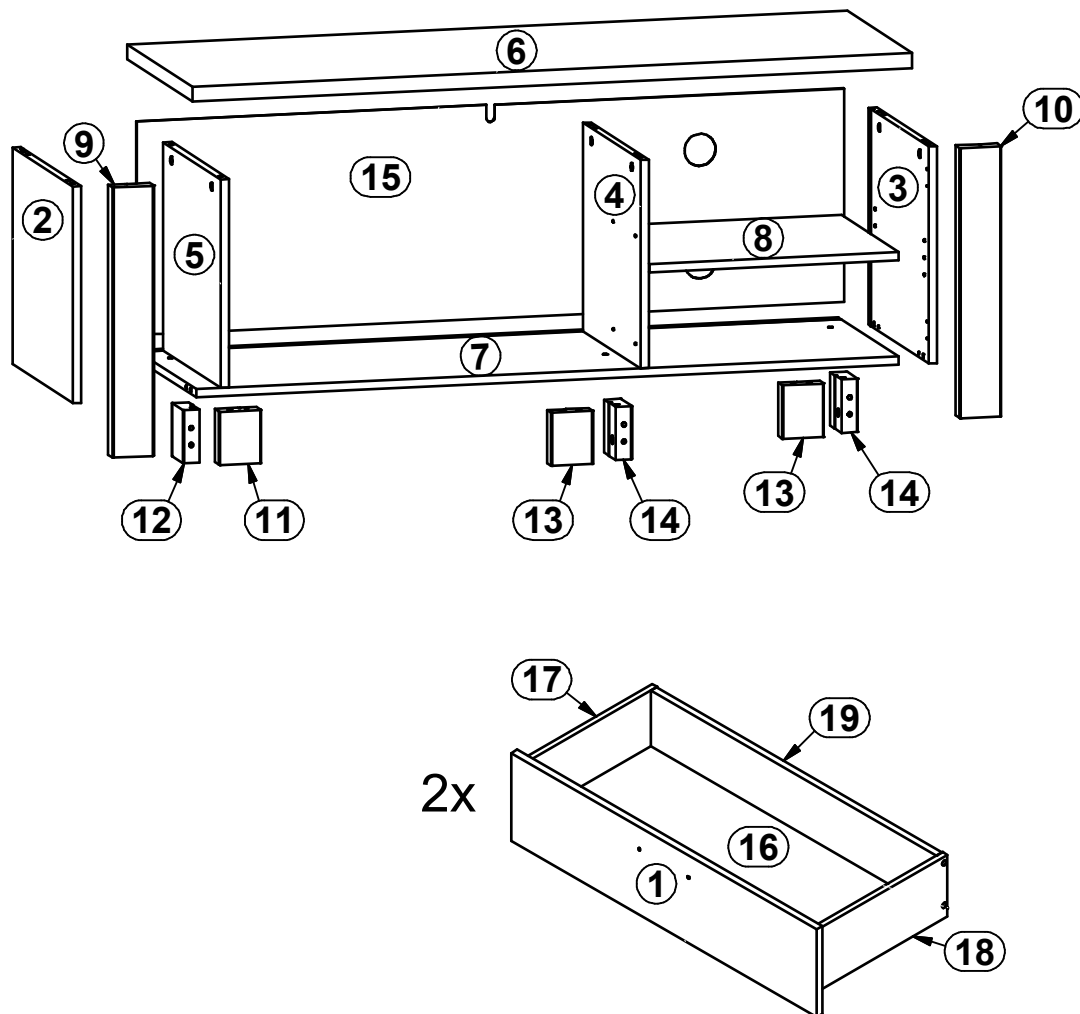
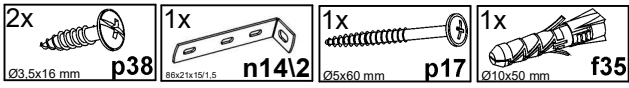
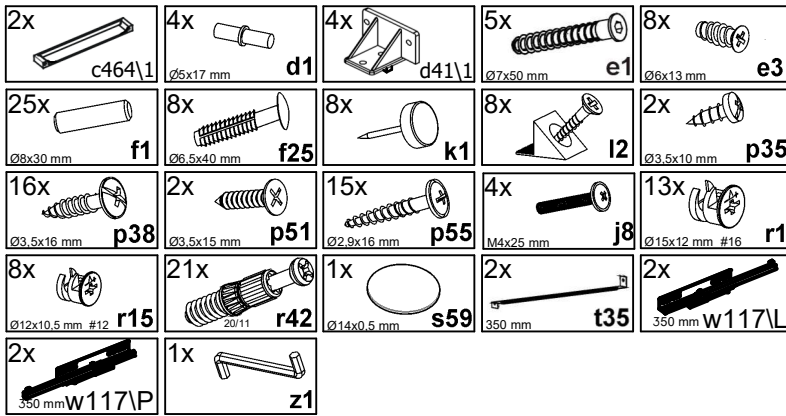
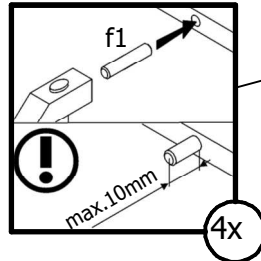
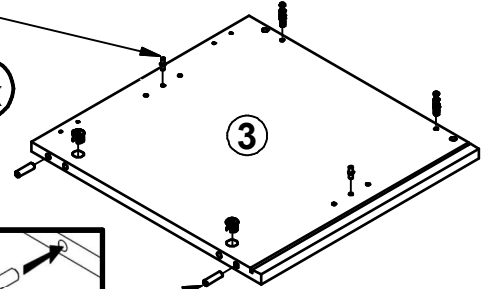
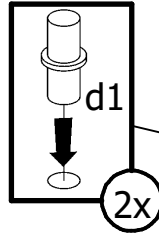
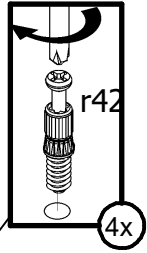
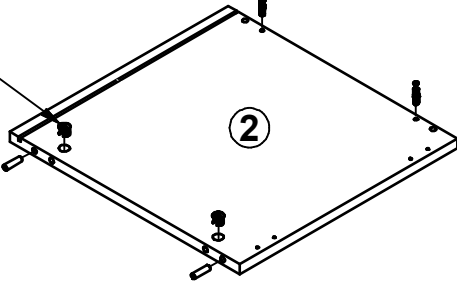
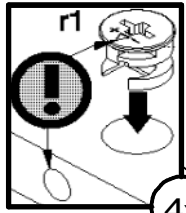


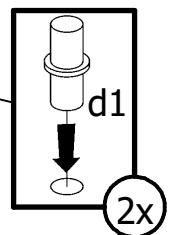
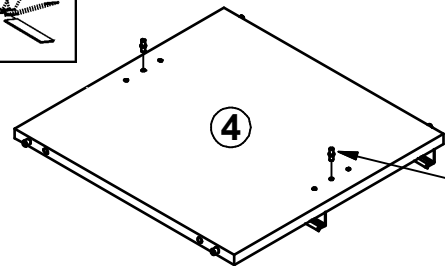
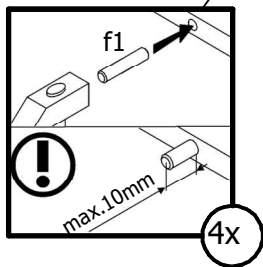
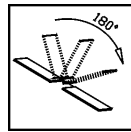
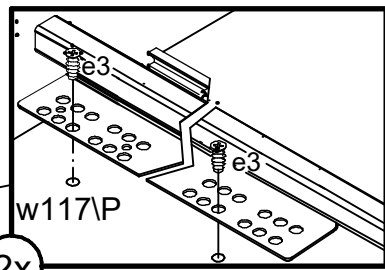
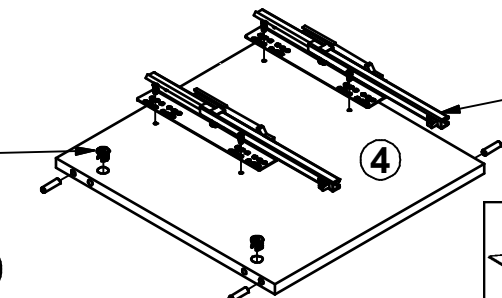
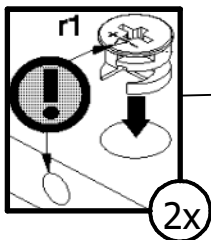
A	B	C1	C2	C3	D
1	S559-0006	800	199	16	1/2
2	S559-1009	408	430	16	2/2
3	S559-1010	408	430	16	2/2
4	S559-1011	392	410	16	1/2
5	S559-1012	392	410	16	1/2
6	S559-2003	1381	464	28	2/2
7	S559-3009	1347	430	16	2/2
8	S559-3010	478	410	16	2/2
9	S559-5008	508	80	32	1/2
10	S559-5009	508	80	32	1/2
11	S559-5701	100	80	32	1/2
12	S559-5702	100	80	32	1/2
13	S559-5703	100	80	32	1/2
14	S559-5704	100	80	32	1/2
15	S559-9004	1357	402	2,5	2/2
16	WSP-9466	759	358	2,5	1/2
17	ZQ6-511	350	140	12	1/2
18	ZQ6-512	350	140	12	1/2
19	ZQ6-5317	749	127	15	1/2



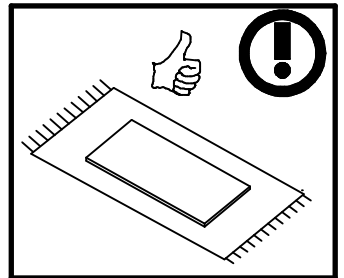
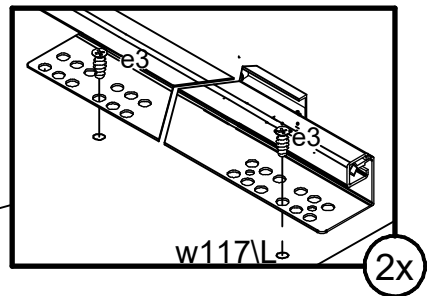
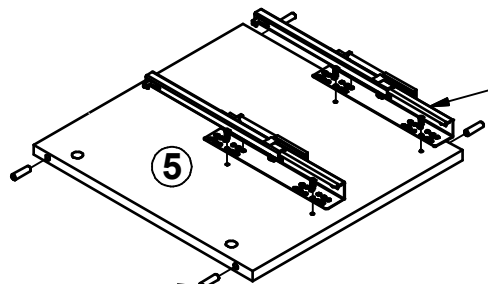
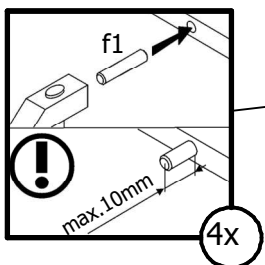
1



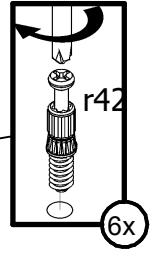
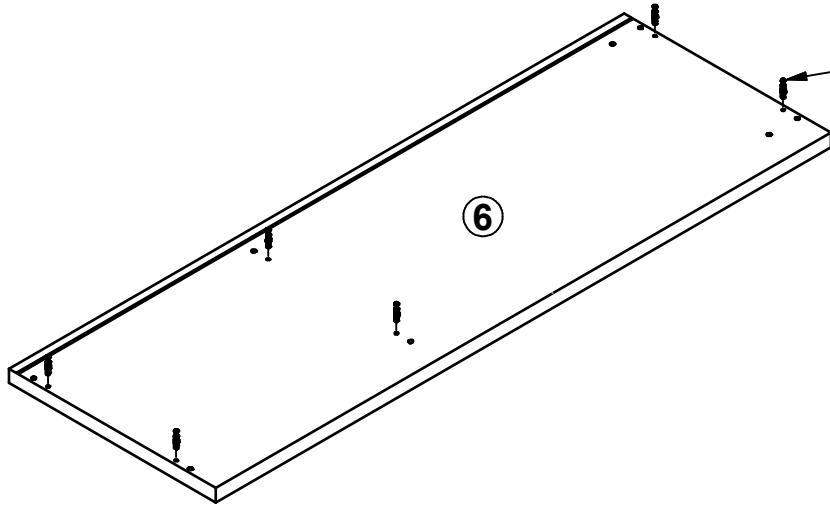
2



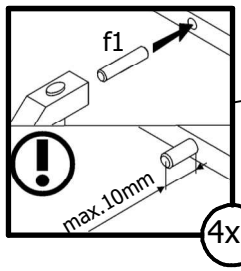
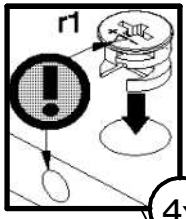
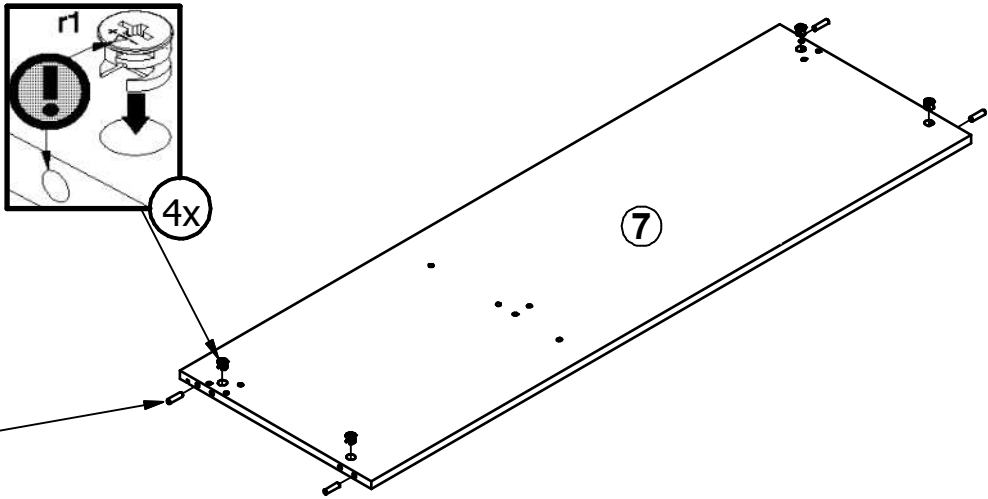
3



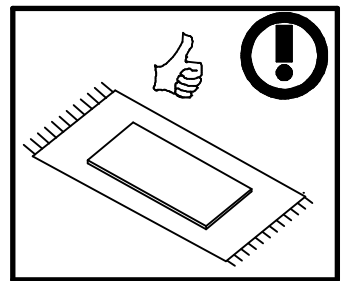
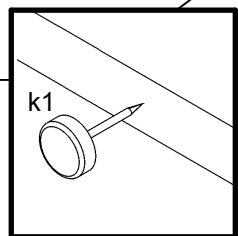
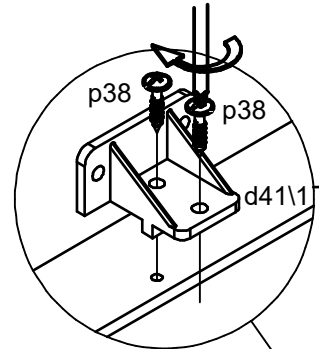
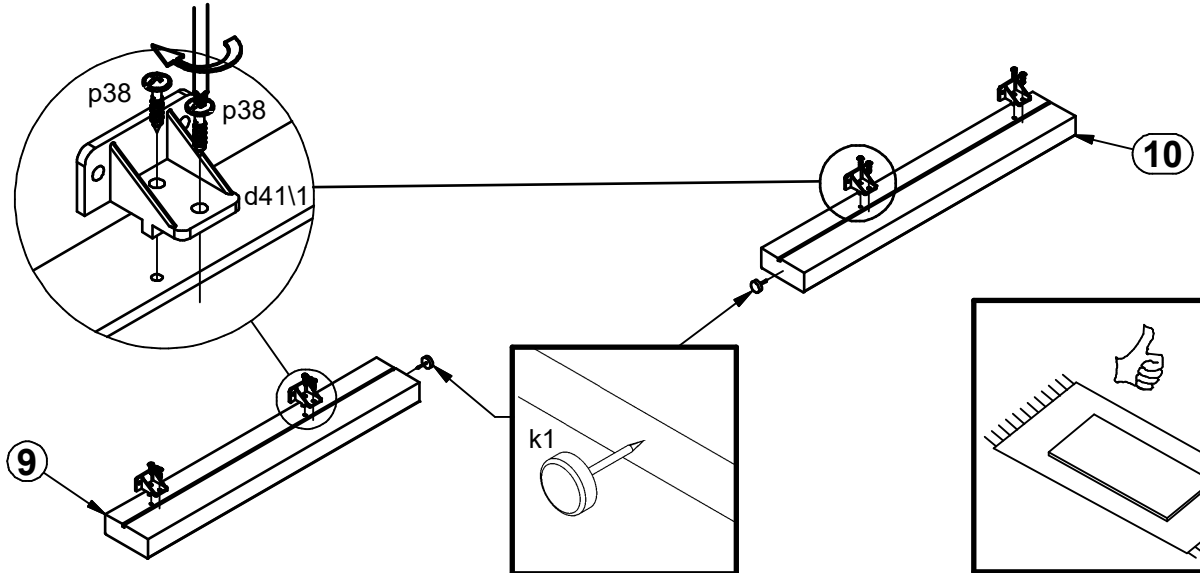
4



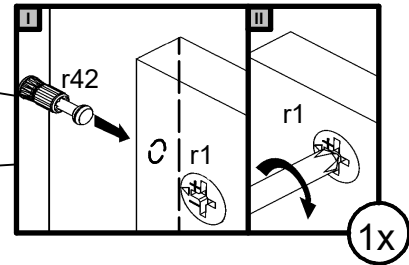
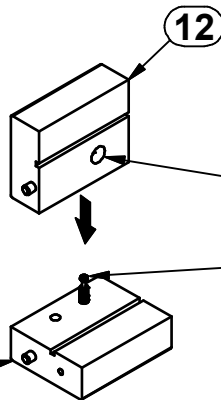
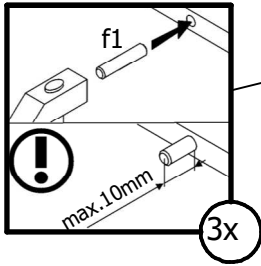
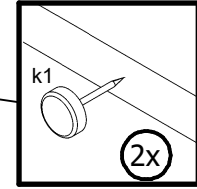
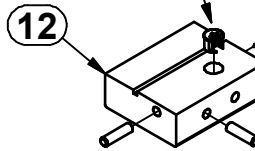
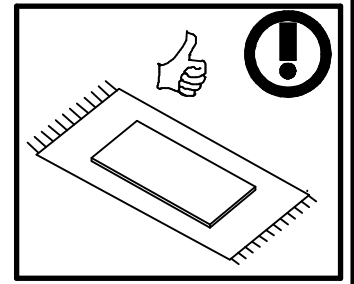
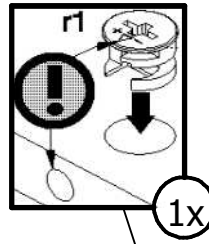
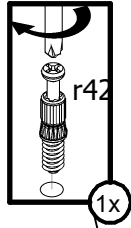
5



6



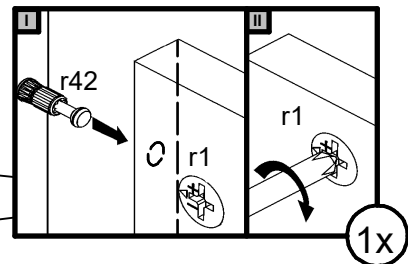
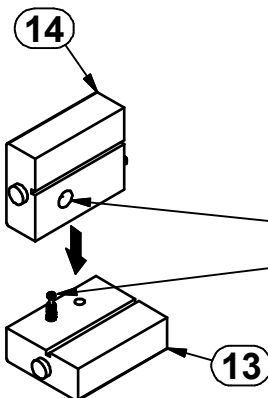
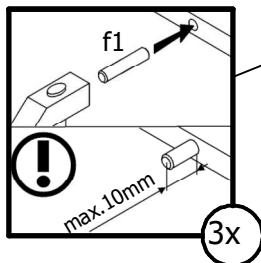
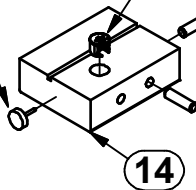
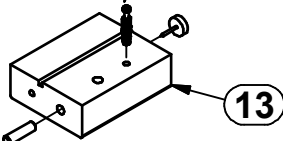
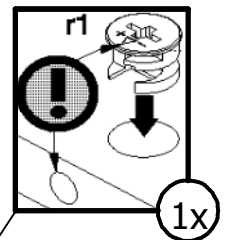
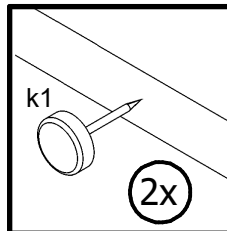
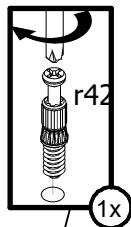
7



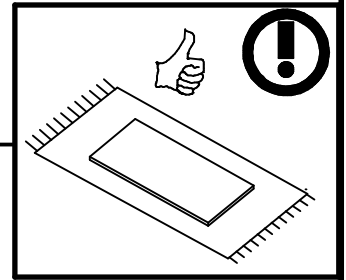
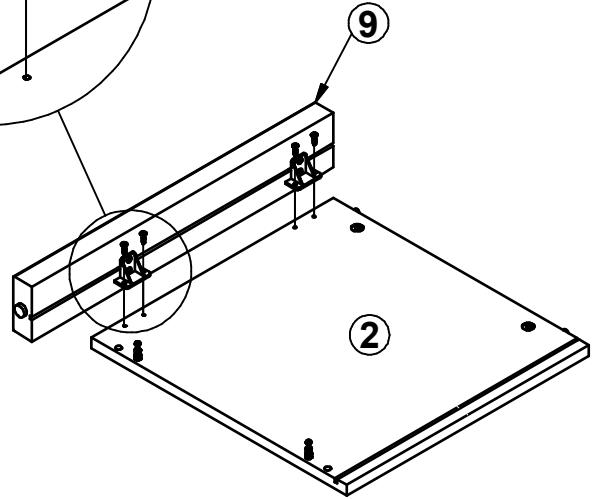
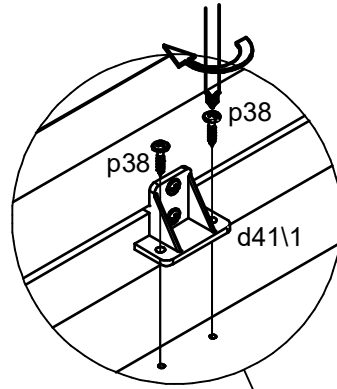
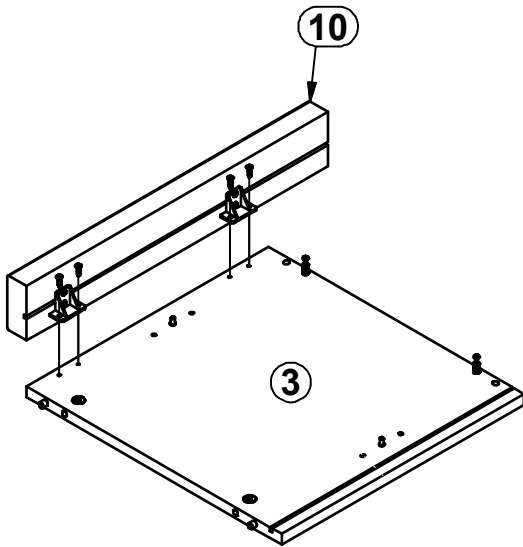
8



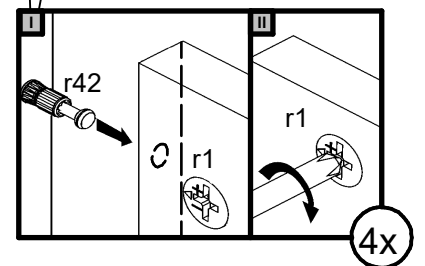
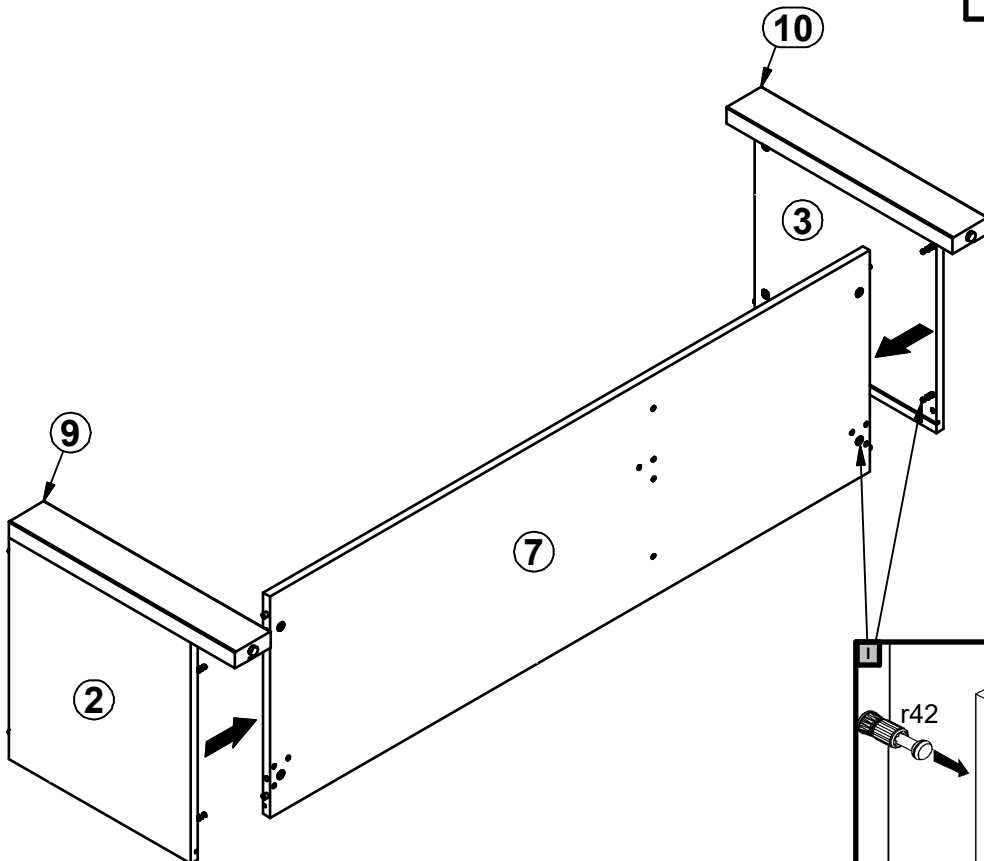
2x



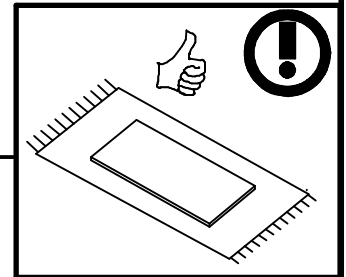
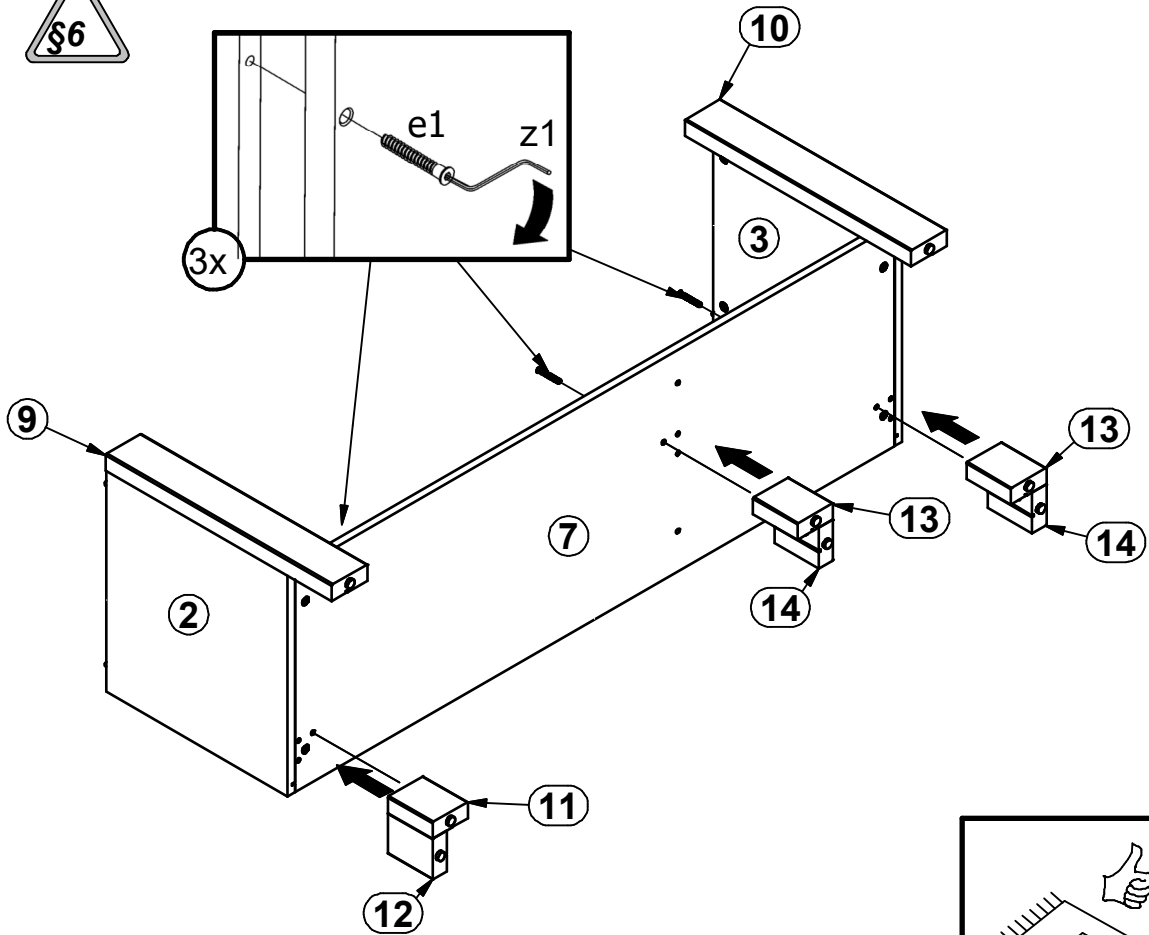
9



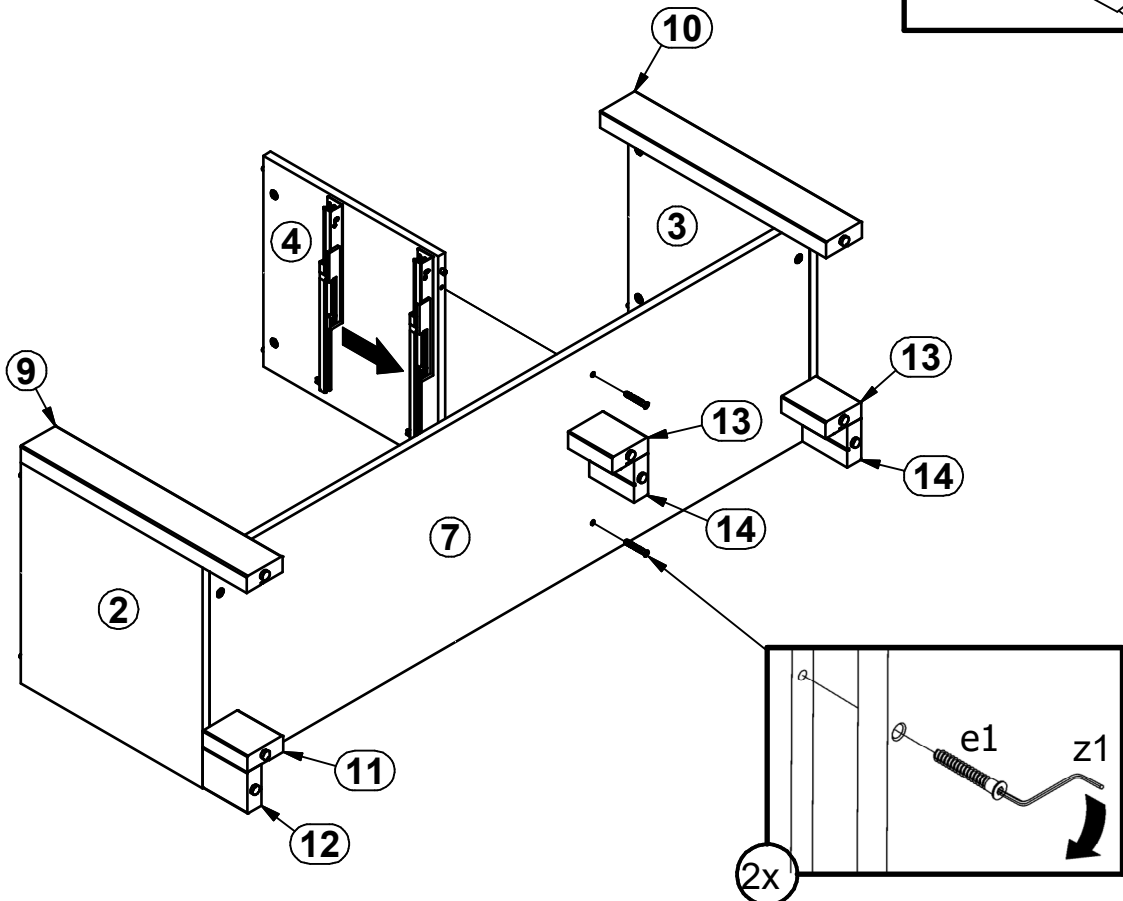
10



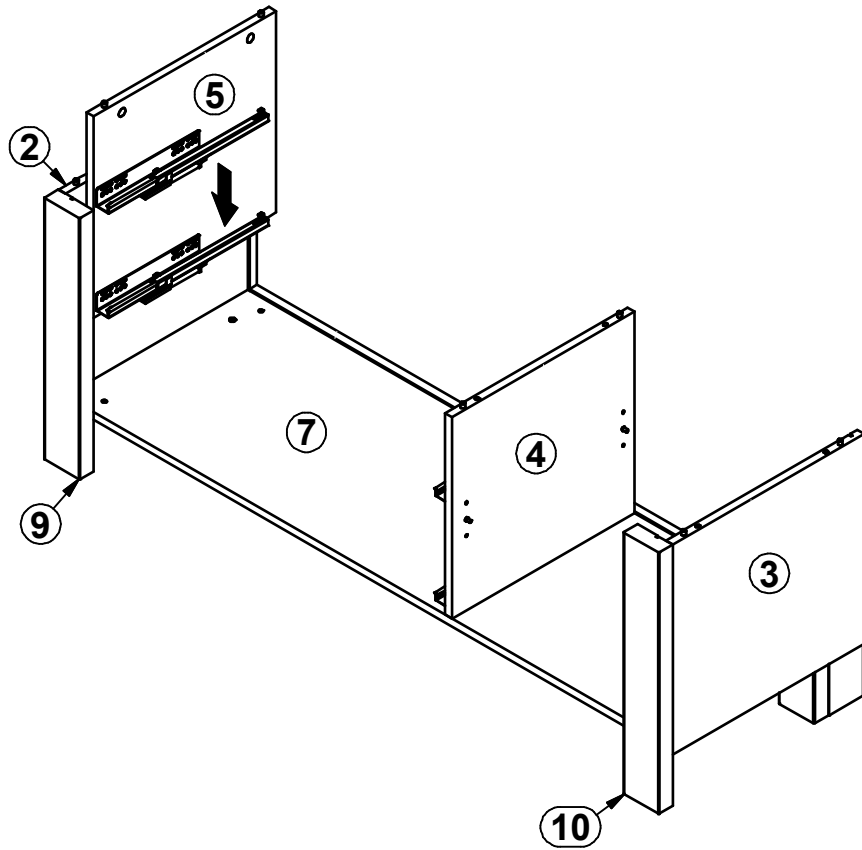
11



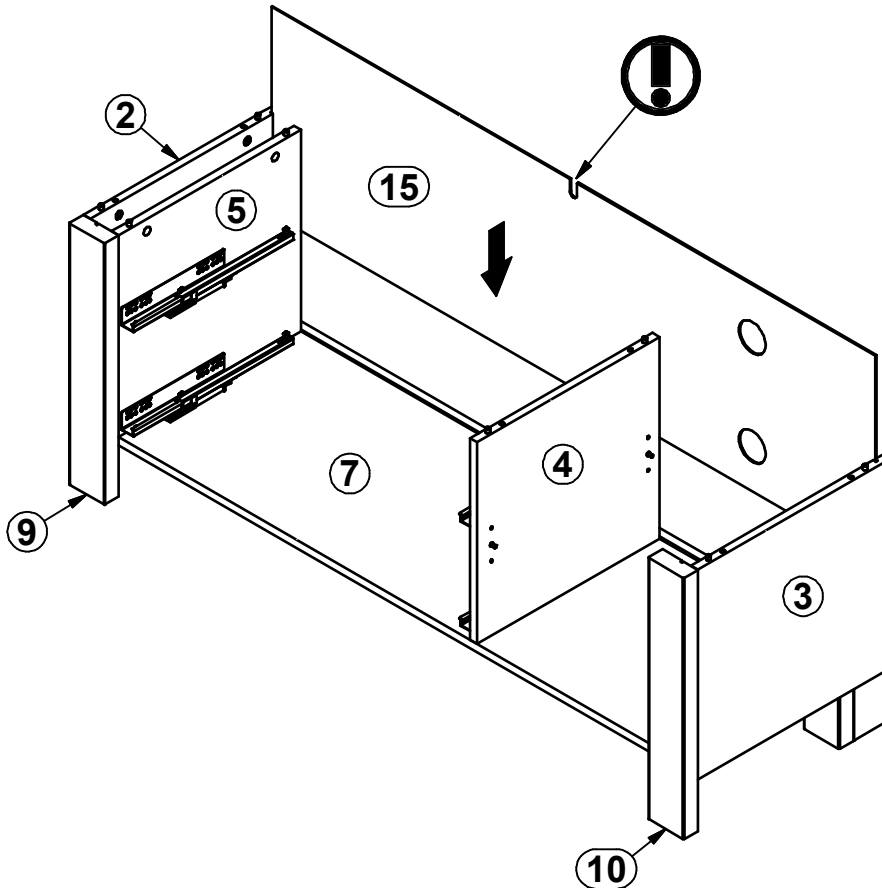
12



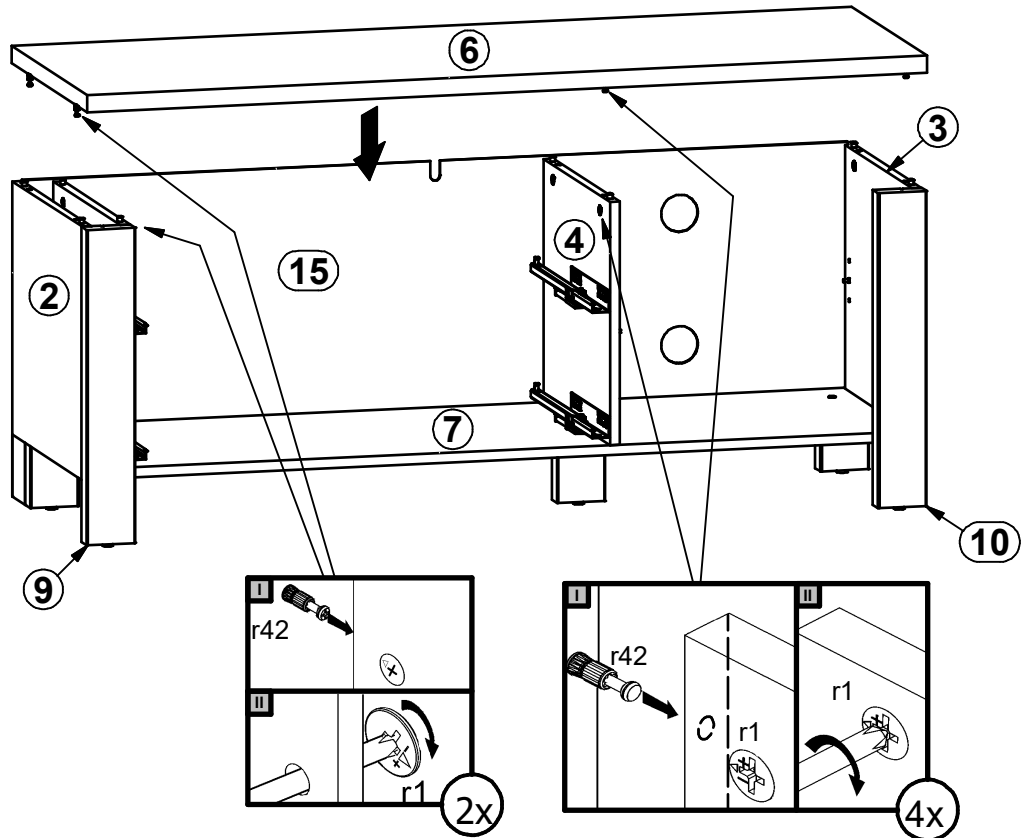
13



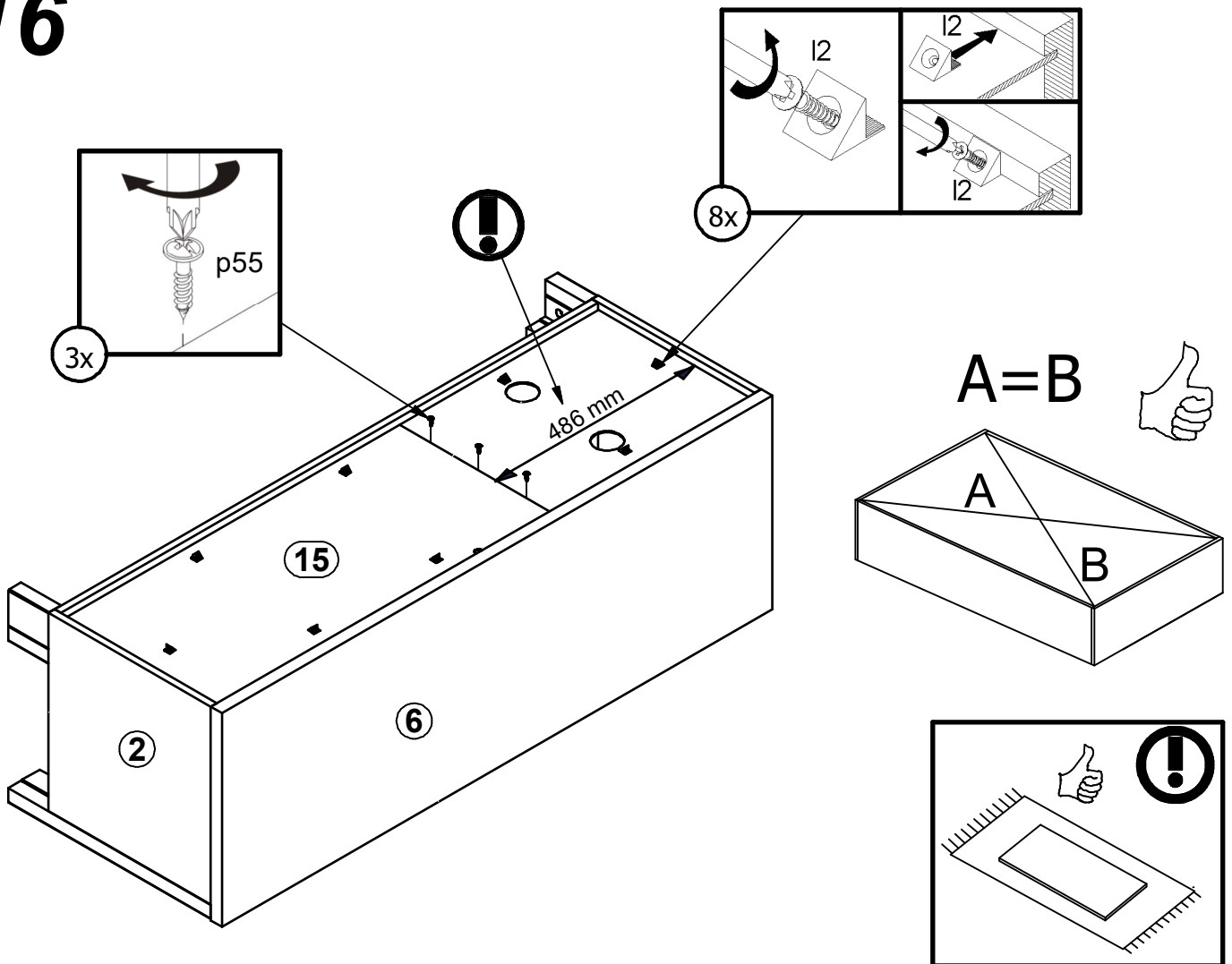
14



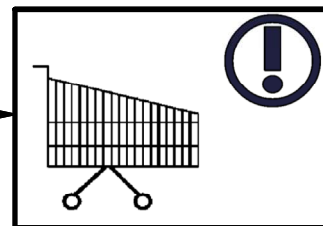
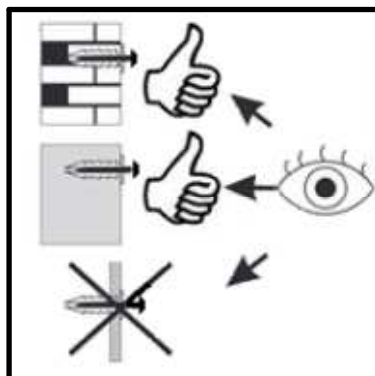
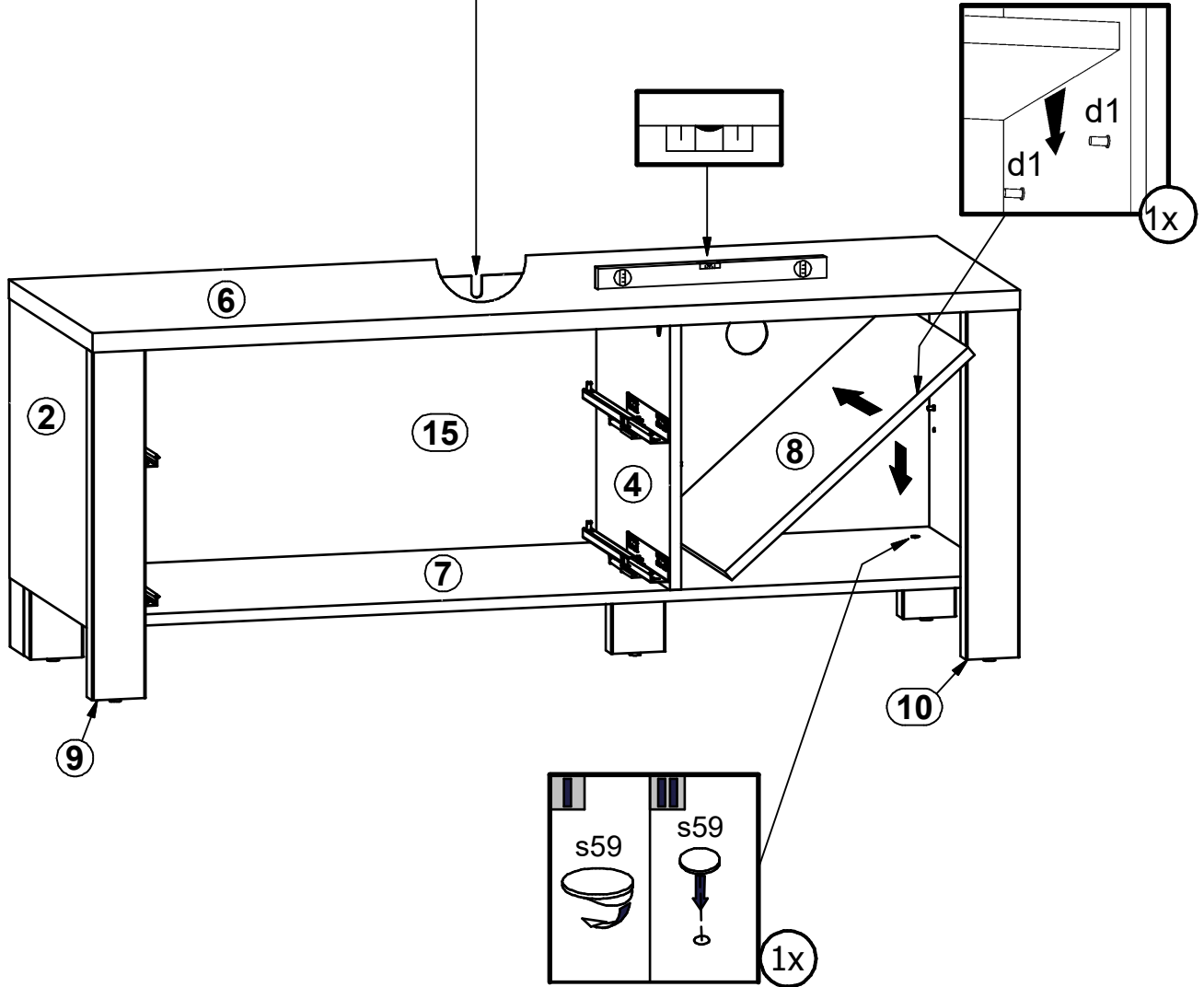
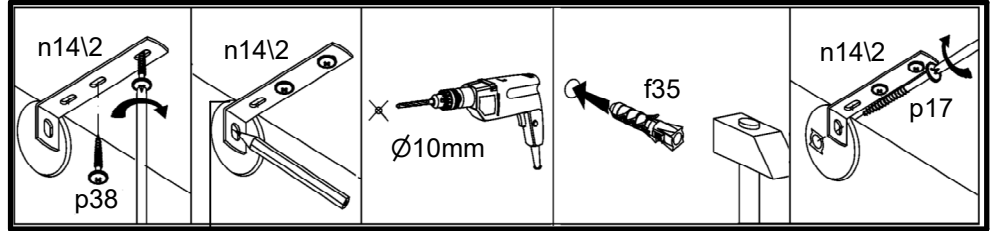
15



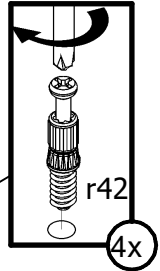
16



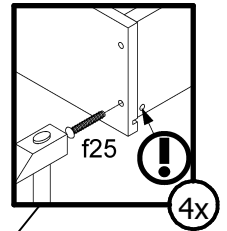
17



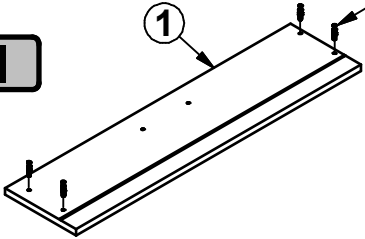
18



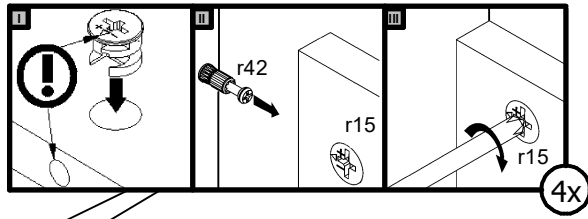
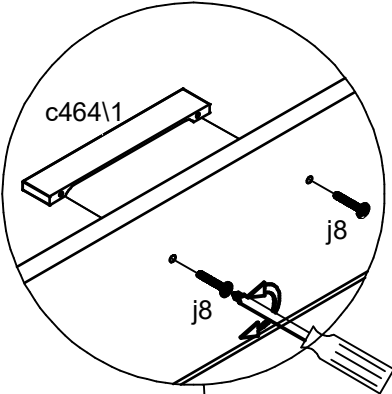
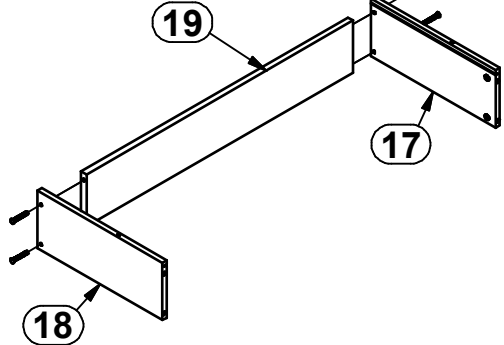
2x



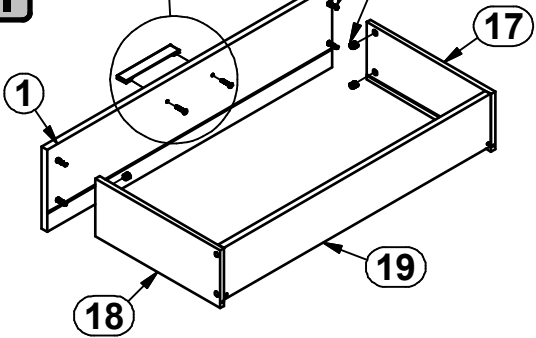
I



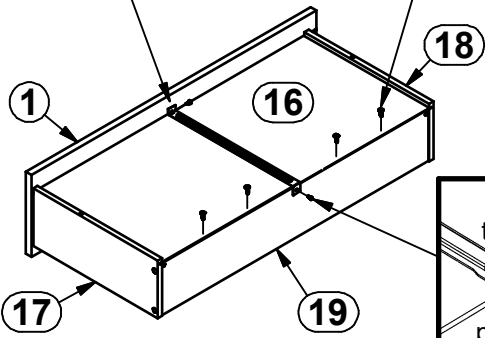
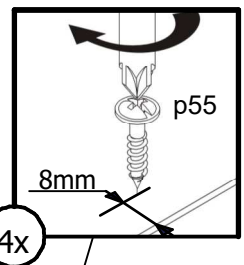
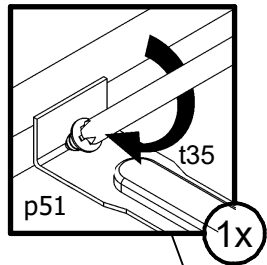
II



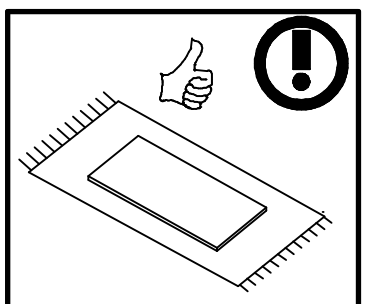
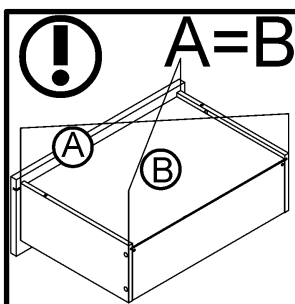
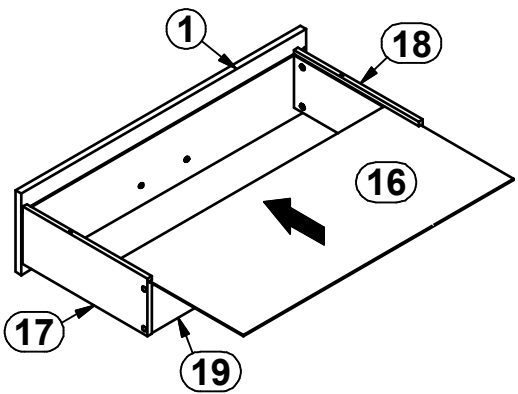
III



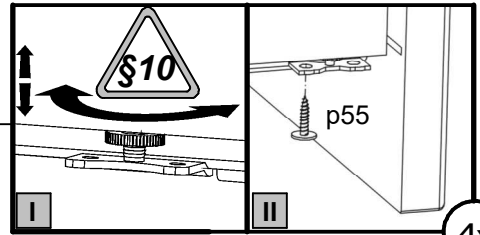
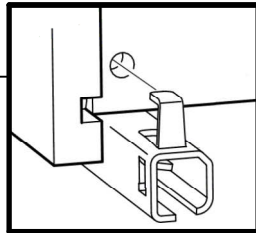
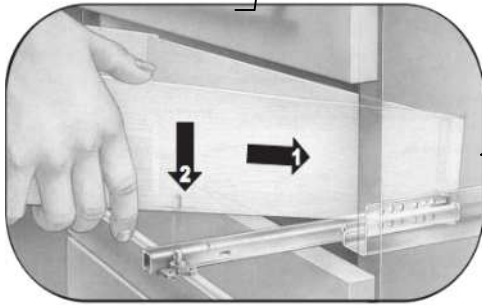
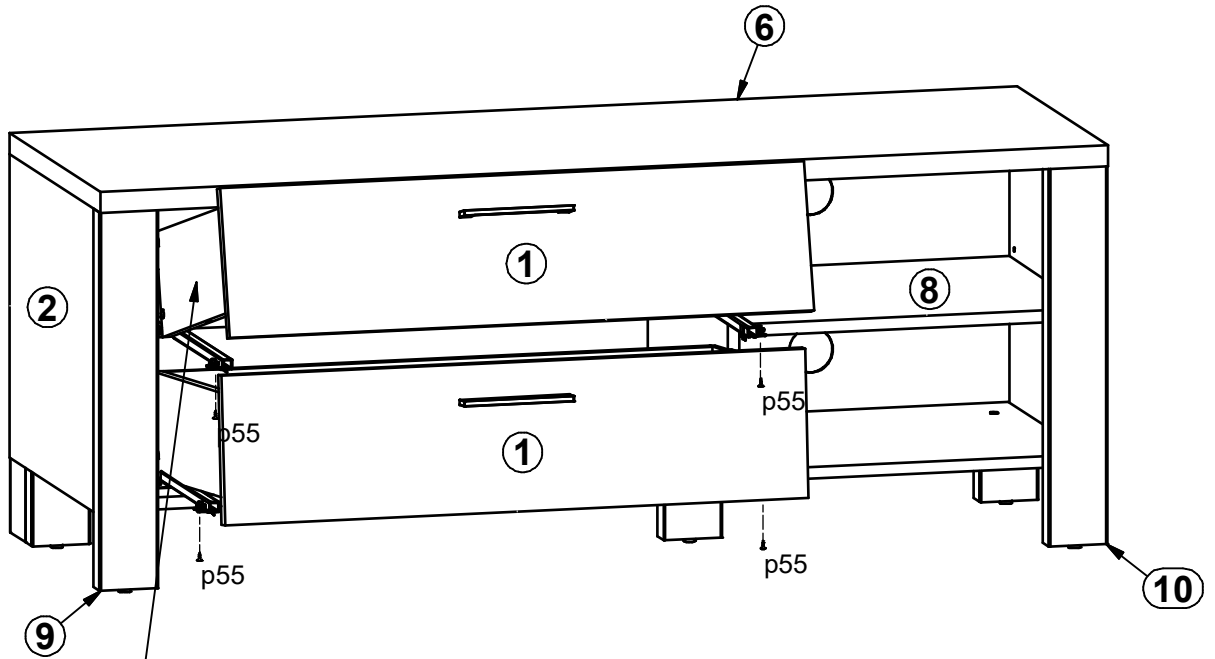
IV



V



19



4x



