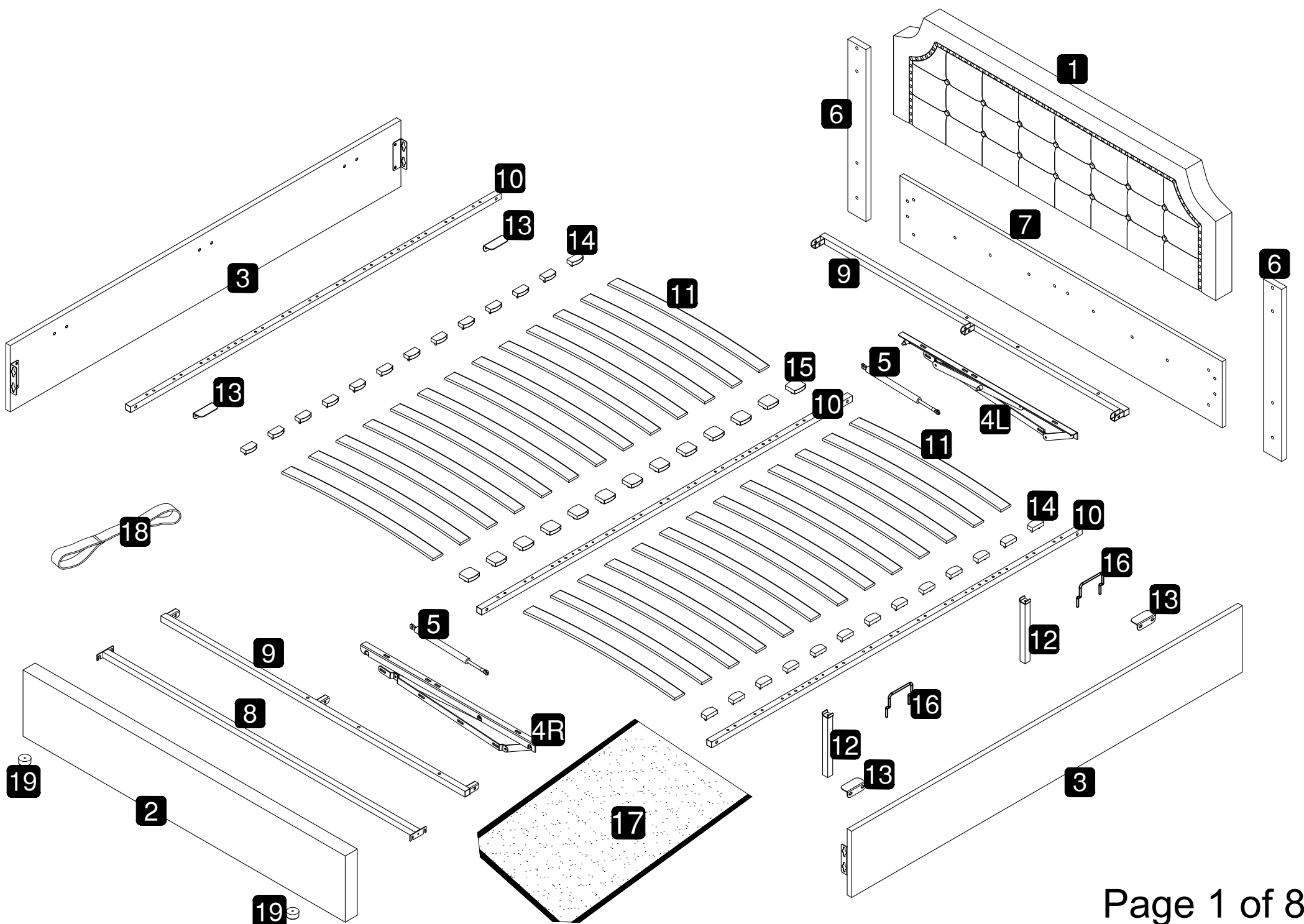
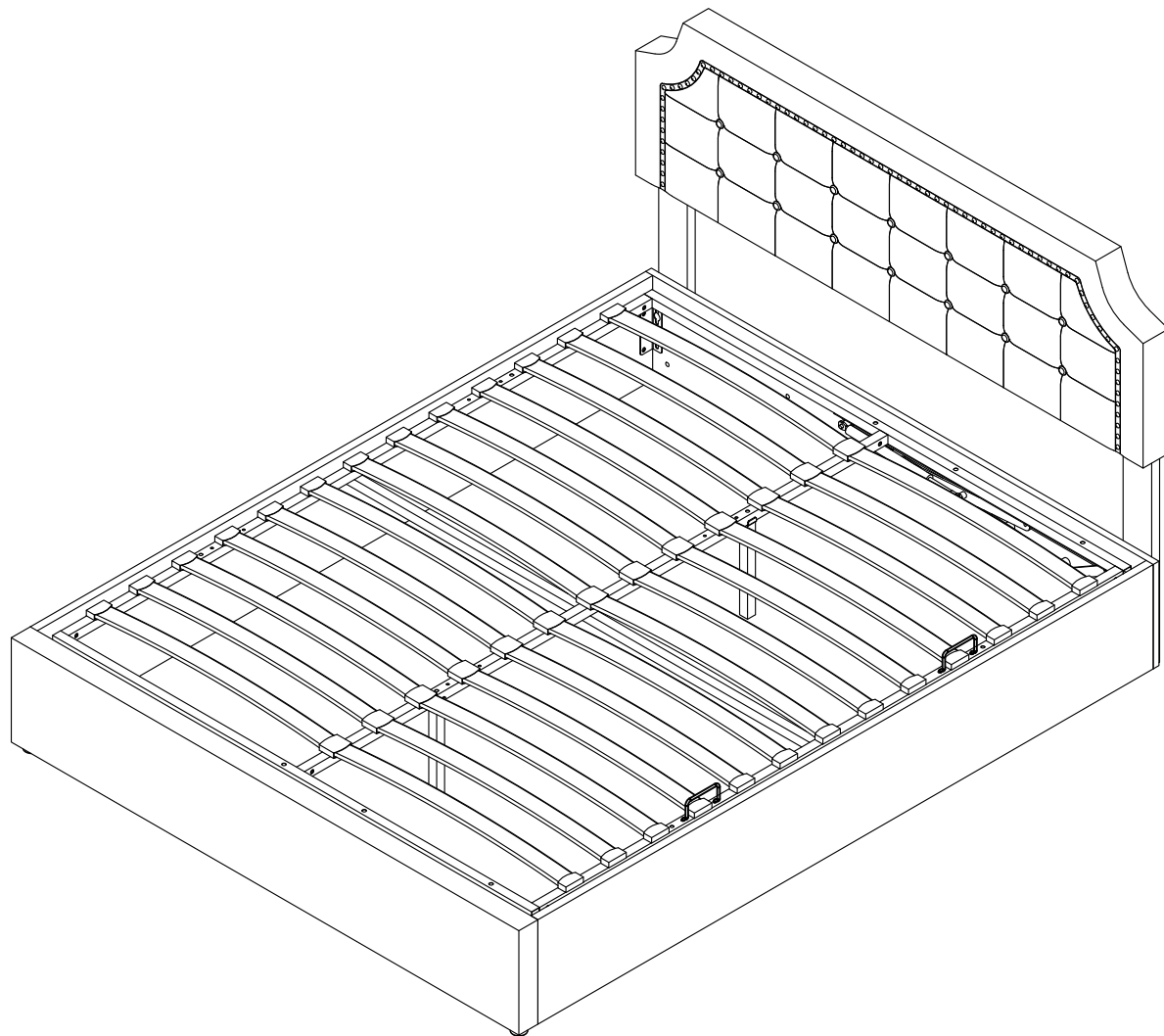


ASSEMBLY INSTRUCTION

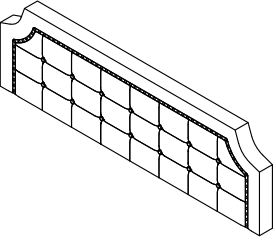
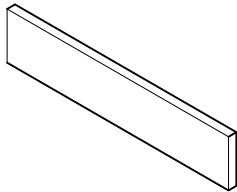
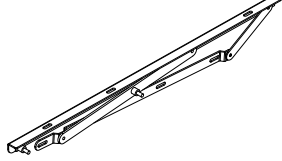
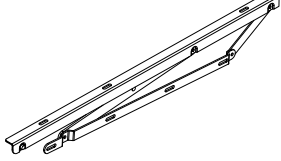
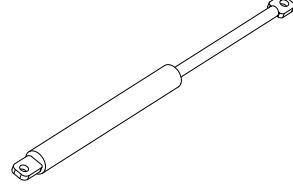

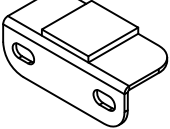
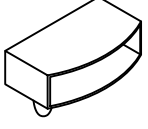
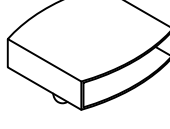
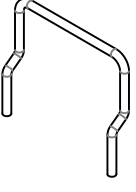
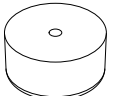
WF316591/WF316594
WF316595/WF316596

TIPS

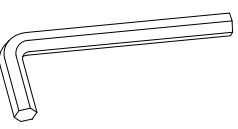
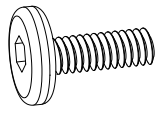
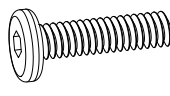
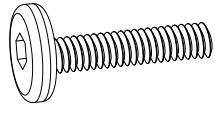
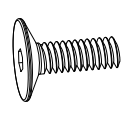


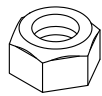


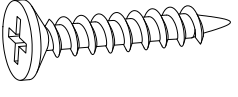
1. Please read the instructions fully before assembly. These instructions include important information which could ensure correct assembly. We have been working on providing high quality products for you. However, in the rare instance that your product is defective, missing parts or there are some issues, please don't hesitate to contact our customer service to submit parts requirements, assembly suggestion, or warranty claims, and we will give the best solution as soon as possible. If necessary, we need you to provide some more clear pictures of the issue.
2. Insert the screws in holes and tighten the screws, but not too tight, 70%~80% is ok, finally tighten all the screws. If some issues happened that some screws can not target to the hole or some parts are difficult to install, please adjust the tightness of the screws.
3. 2 people are recommended to finish.



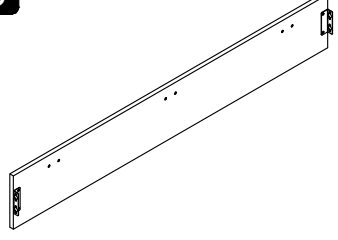
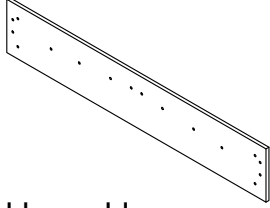
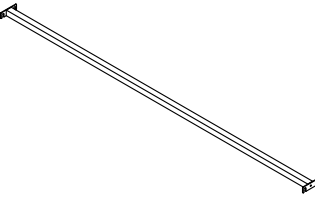
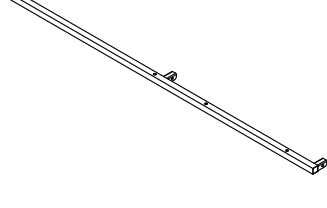
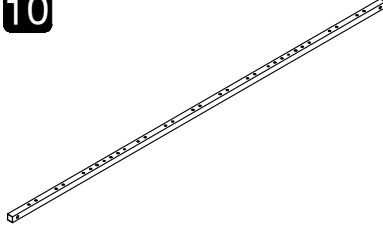
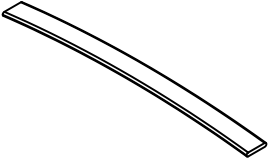
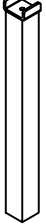
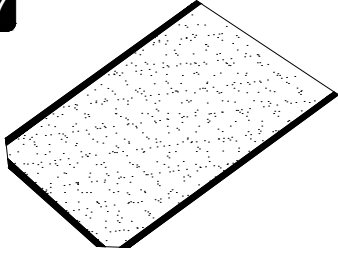
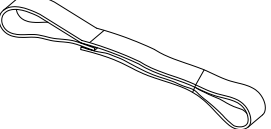
Part List WF316591/WF316595

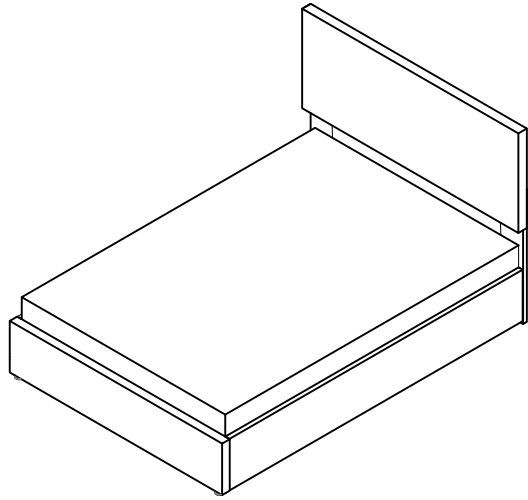
<p>1</p>  <p>Headboard X1</p>	<p>2</p>  <p>Footboard X1</p>	<p>4L</p>  <p>Lift Mechanism (LH) X1</p>	<p>4R</p>  <p>Lift Mechanism (RH) X1</p>	<p>5</p>  <p>Gas Strut X2</p>
<p>6</p>  <p>Head board leg X2</p>	<p>13</p>  <p>Angle Iron X4</p>	<p>14</p>  <p>Plastic Slat Caps X26</p>	<p>15</p>  <p>Centre Slat Caps X13</p>	<p>16</p>  <p>Mattress Stopper X2</p>
<p>19</p>  <p>Leg X2</p>				

Hardware List WF316591/WF316595

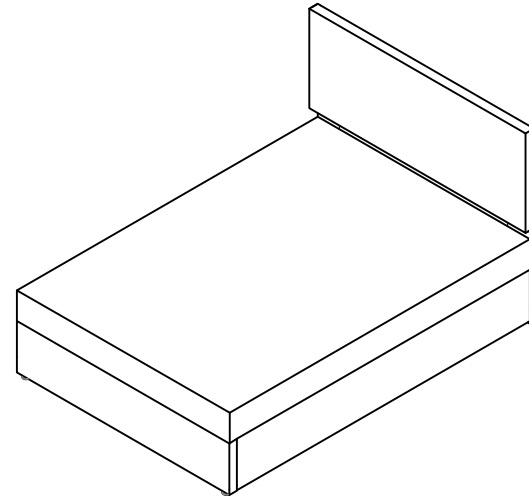
<p>A</p>  <p>Allen Key X1</p>	<p>B</p>  <p>Bolts(M8x20mm) X16</p>	<p>C</p>  <p>Bolts(M8x30mm) X8</p>	<p>D</p>  <p>Bolts(M8x40mm) X20</p>	<p>E</p>  <p>Bolts(M8x18mm) X4</p>
<p>F</p>  <p>Bolts(M6x35mm) X2</p>	<p>G</p>  <p>Flat Washer X16</p>	<p>H</p>  <p>Non-slip nuts(M8) X16</p>	<p>J</p>  <p>Plastic washer X8</p>	<p>K</p>  <p>Spanner X1</p>
<p>L</p>  <p>Screw(4.0x40mm) X2</p>				

Part List WF316594/WF316596

<p>3</p>  <p>Side Rails X2</p>	<p>7</p>  <p>Head board leg Connecting plate X1</p>	<p>8</p>  <p>Reinforced Pipe X1</p>	<p>9</p>  <p>Cross Rail for Metal Slat Frame X2</p>	<p>10</p>  <p>Side Rails for Metal Slat Frame X3</p>
<p>11</p>  <p>Slats X26</p>	<p>12</p>  <p>Centre Support Leg X2</p>	<p>17</p>  <p>Bottom cloth X1</p>	<p>18</p>  <p>Rope X1</p>	



This product is not suitable for mattress recessed type.



This product is suitable for placing mattresses on the top.

IMPORTANT NOTICE

OTTOMAN OPERATING INSTRUCTIONS

Once your bed frame is completely assembled, the slat unit will not operate correctly unless a mattress is placed on the slat frame. Position the mattress on the slat frame whilst it is in the closed position.

PLEASE NOTE - It takes a lot of force to make the initial movement of the ottoman. This is a design feature of the product so that it does not fall shut - the nearer to being closed the ottoman is, the easier it is to move. When the ottoman is almost shut, it will close completely under its own weight.

When lowering the slat unit for the first time, take care to make sure it does not rub unevenly on the inside face of the side rails. If it does, the bed has been assembled slightly out of square. This can be rectified by moving the foot end of the bed slightly to the left or right whilst leaving the head end stationary.

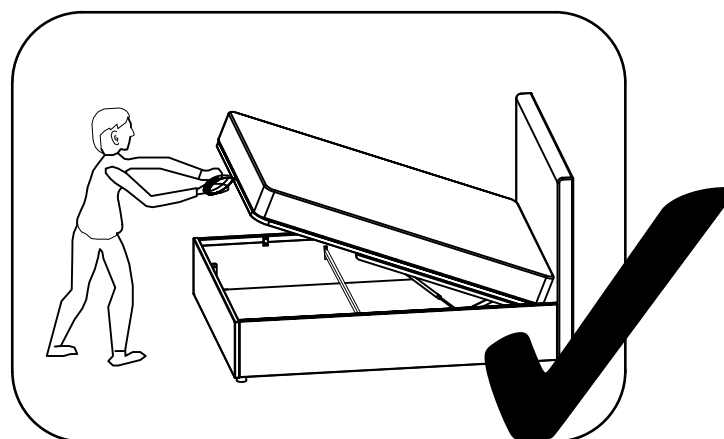
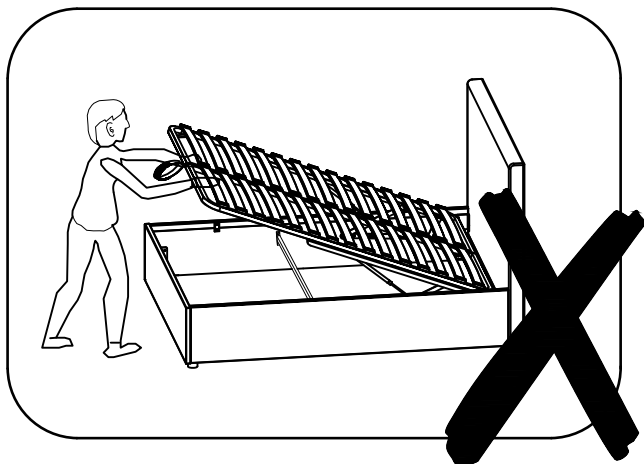
PISTONS

The pistons used in the construction of this product are extremely strong and cannot be operated by hand when taken off the ottoman. All pistons are tested for correct pressure and operation before being attached to the slat unit.

Initially it might appear that the pistons are very stiff when opening and closing the ottoman.





THIS IS PERFECTLY NORMAL

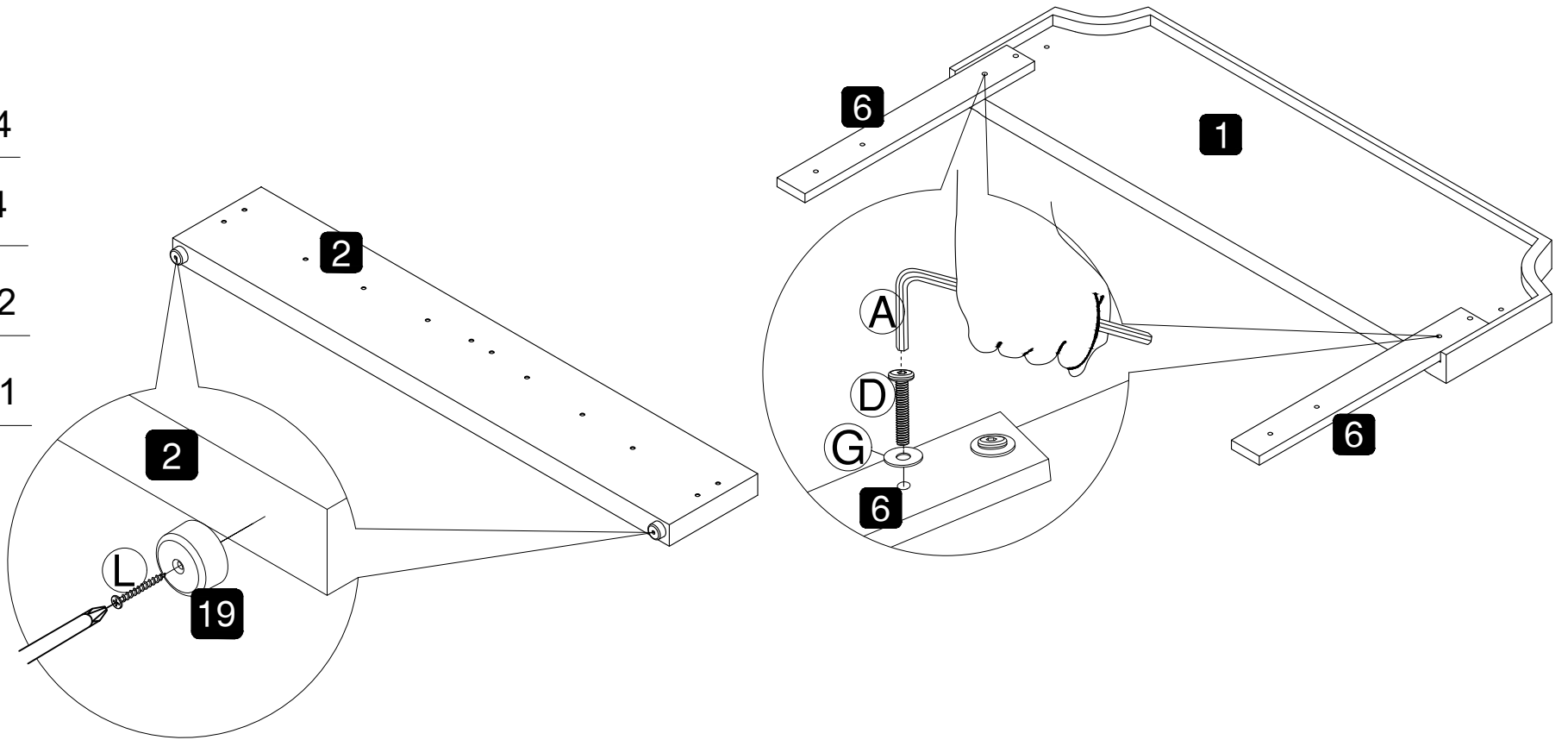
When fully assembled and the mattress is in position, please raise and lower the ottoman 4/5 times to ensure the gas piston are fully lubricated.



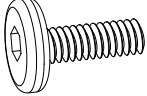

Attention: Do not tighten the screws before completing the entire installation. If you have any difficulty with the installation process, please feel free to contact us.

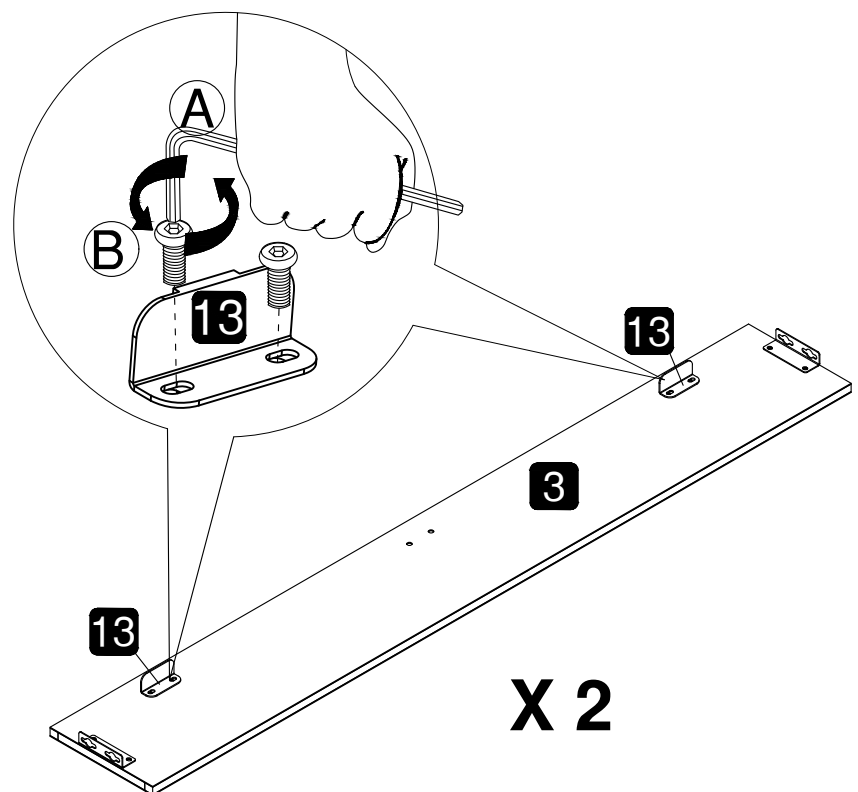
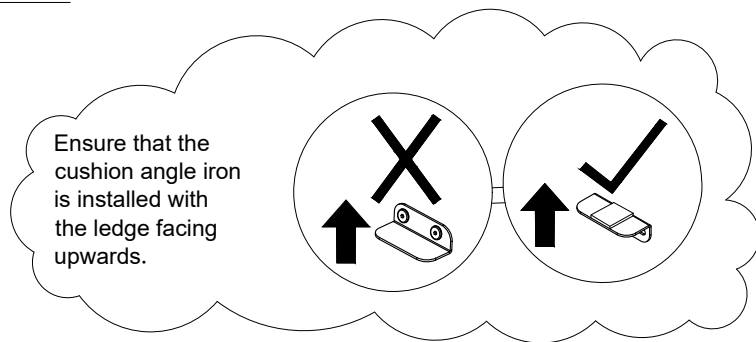
Step 1:

- D**  x4
- G**  x4
- L**  x2
- A**  x1



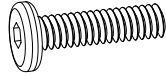
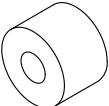

Step 2:

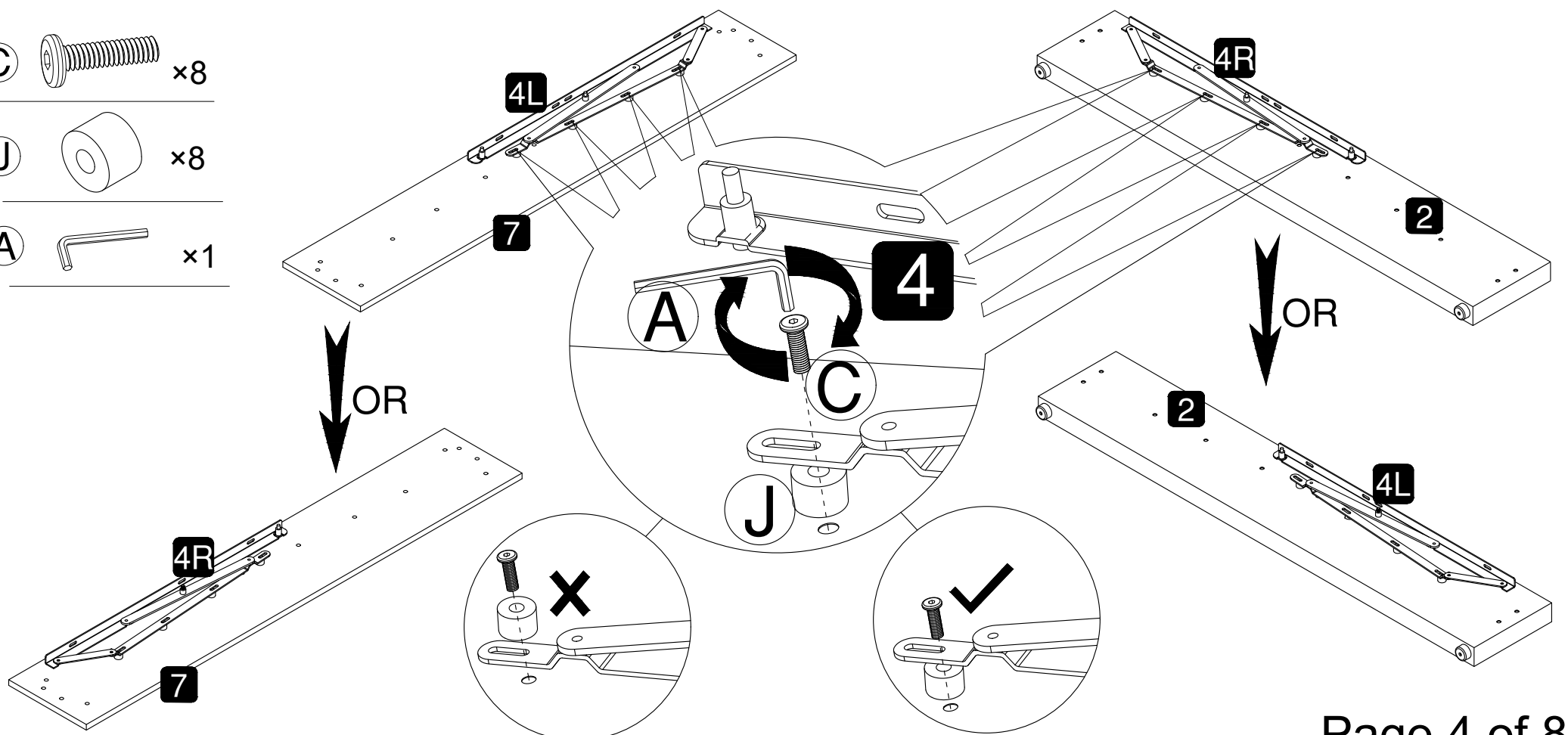
- B**  x8
- A**  x1



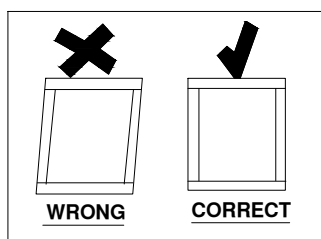
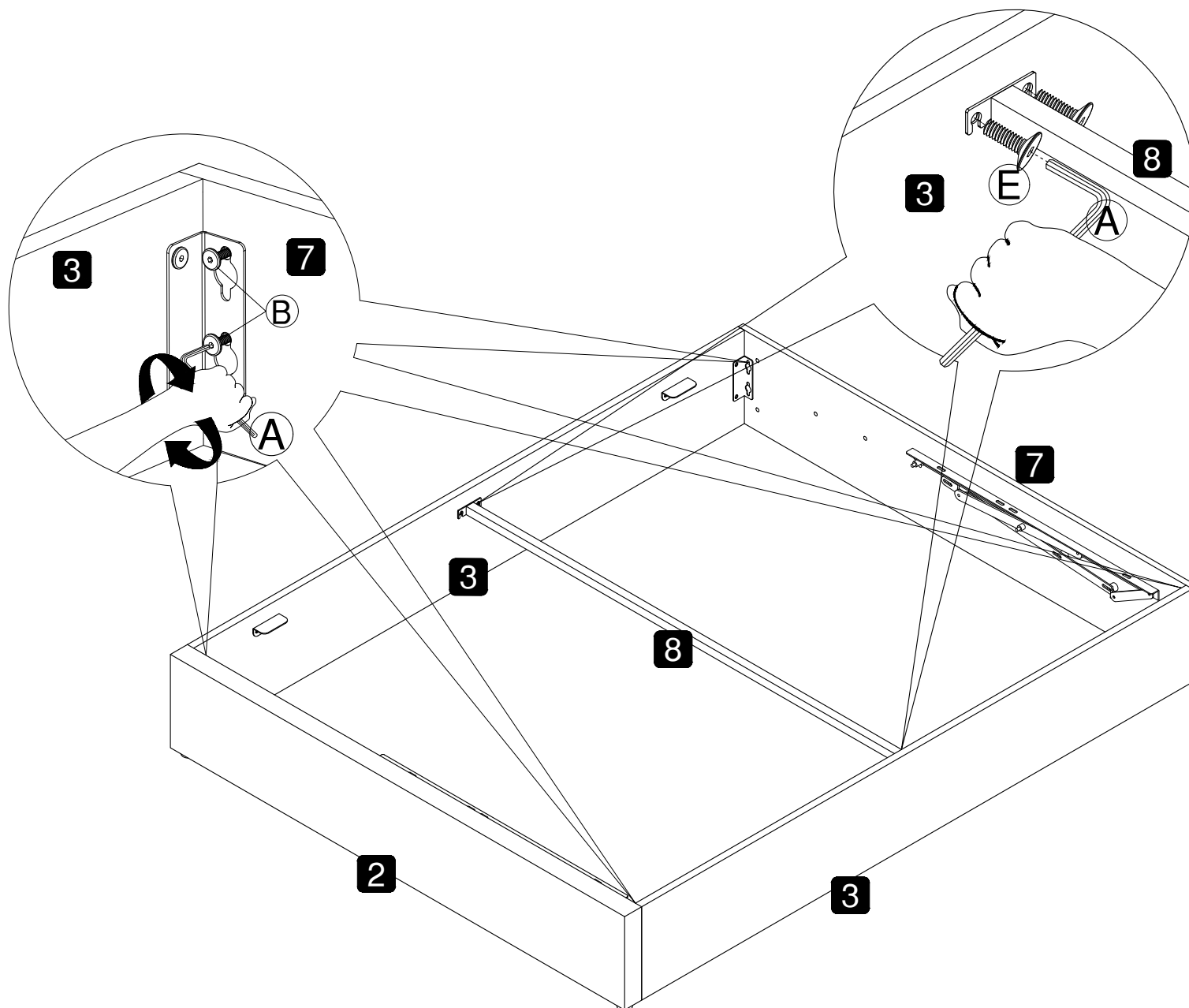
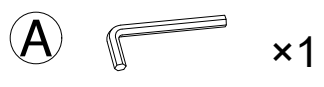
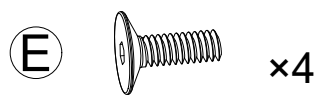
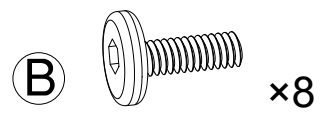
Step 3:

If you want to lift it from the other side, please switch installation!

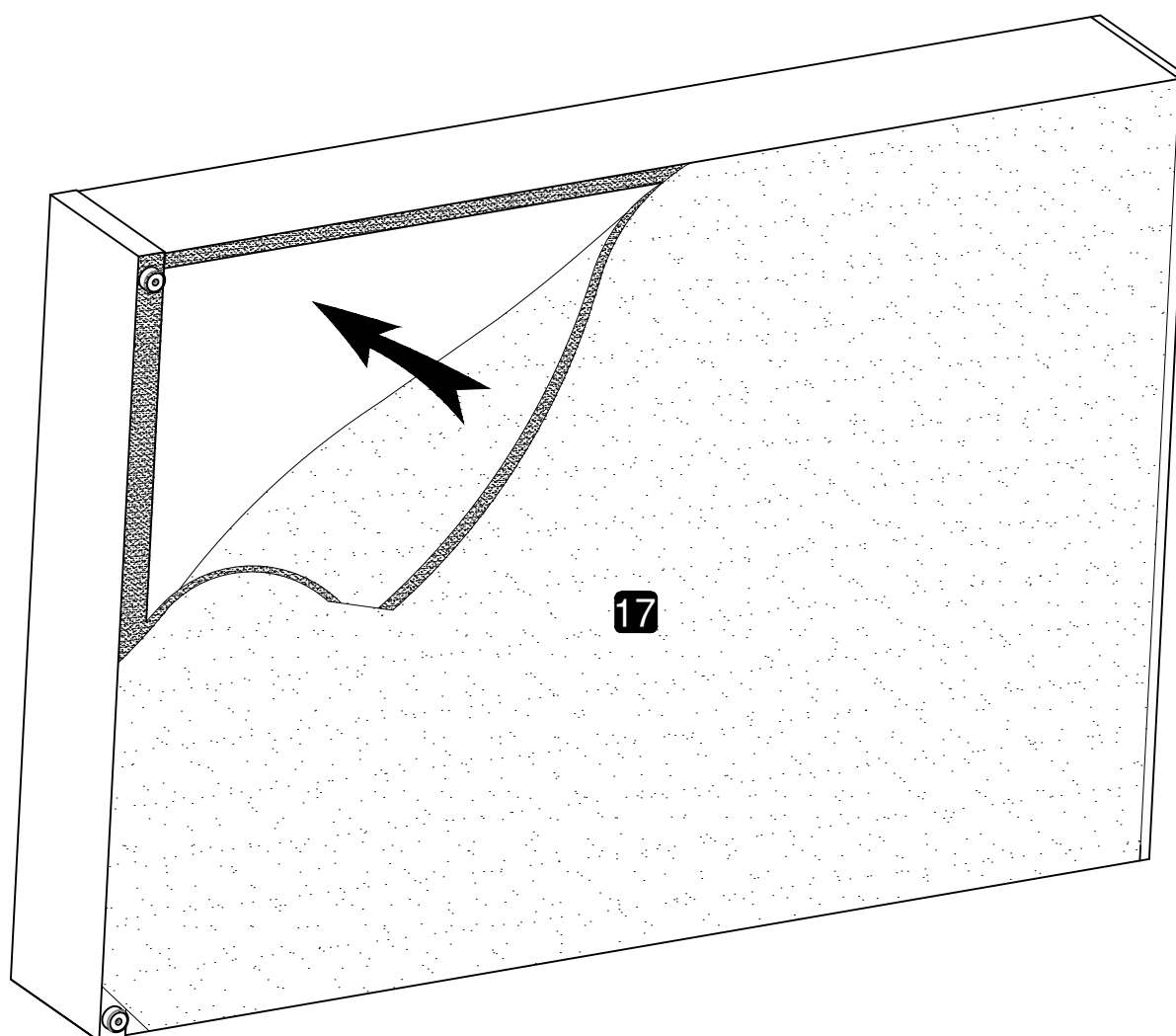
- C**  x8
- J**  x8
- A**  x1



Step 4:





Step 5:

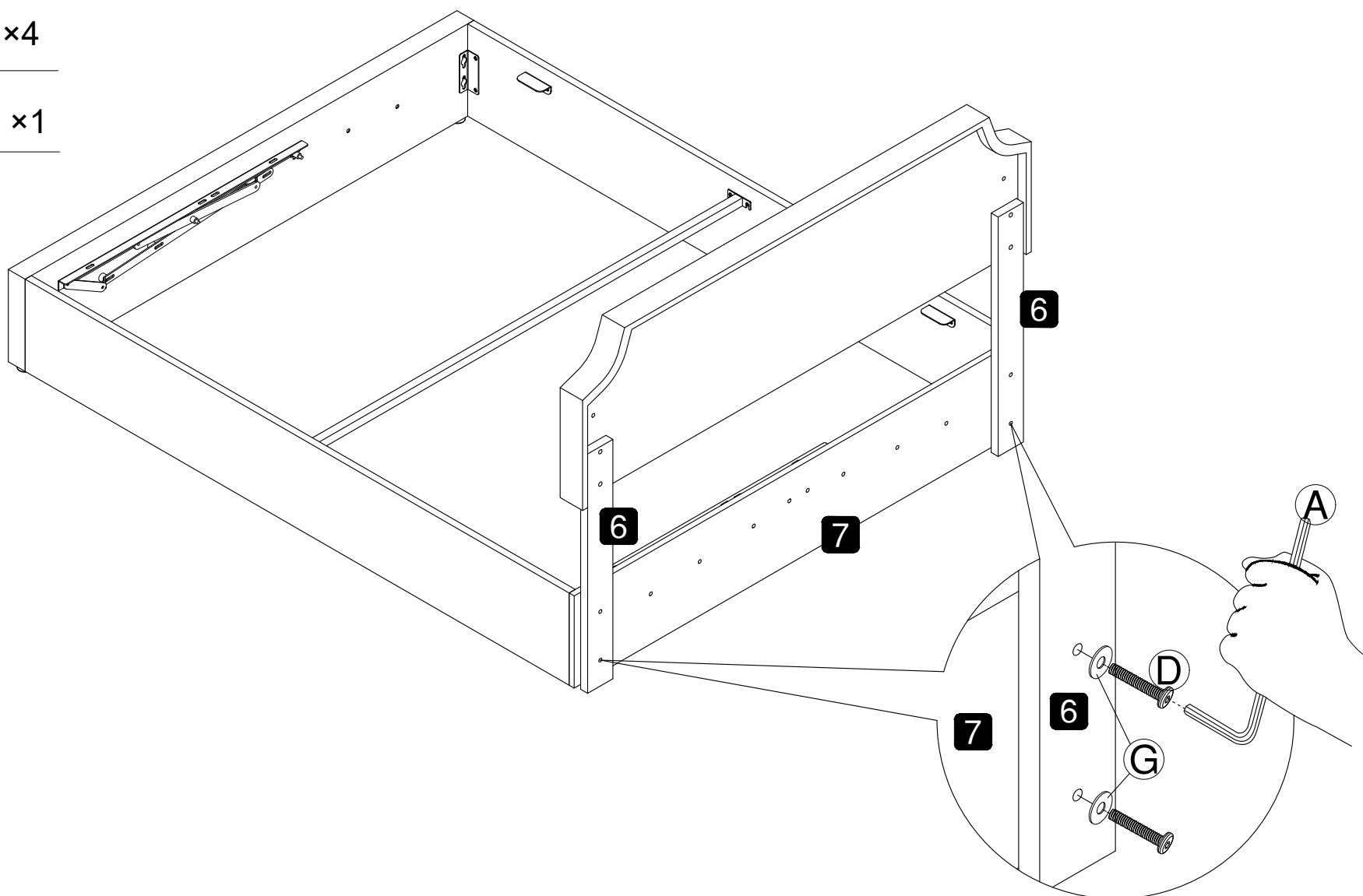


Step 6:

Ⓓ  x4

Ⓖ  x4

Ⓐ  x1



Step 7:

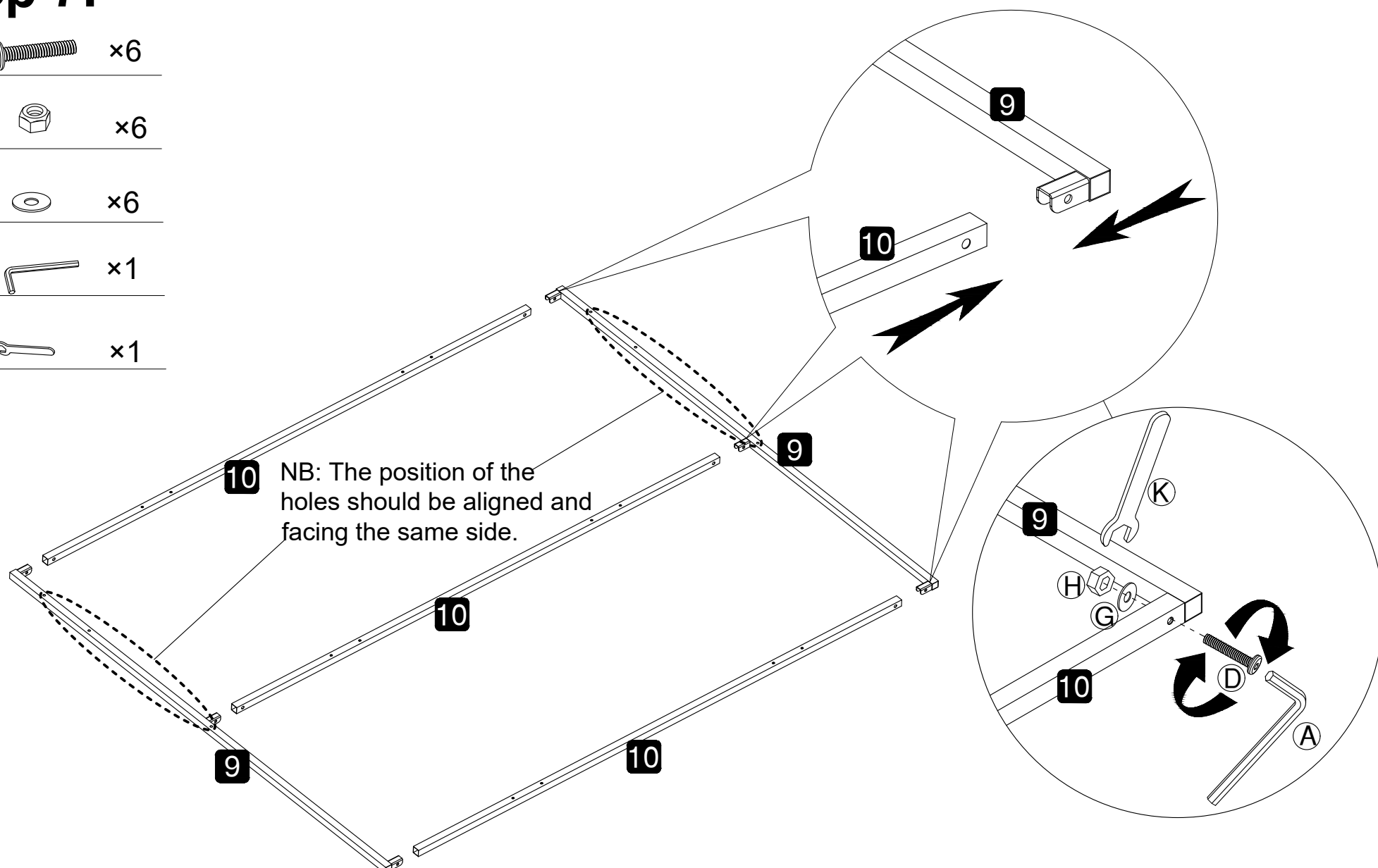
Ⓓ  x6

Ⓗ  x6







Ⓖ  x6

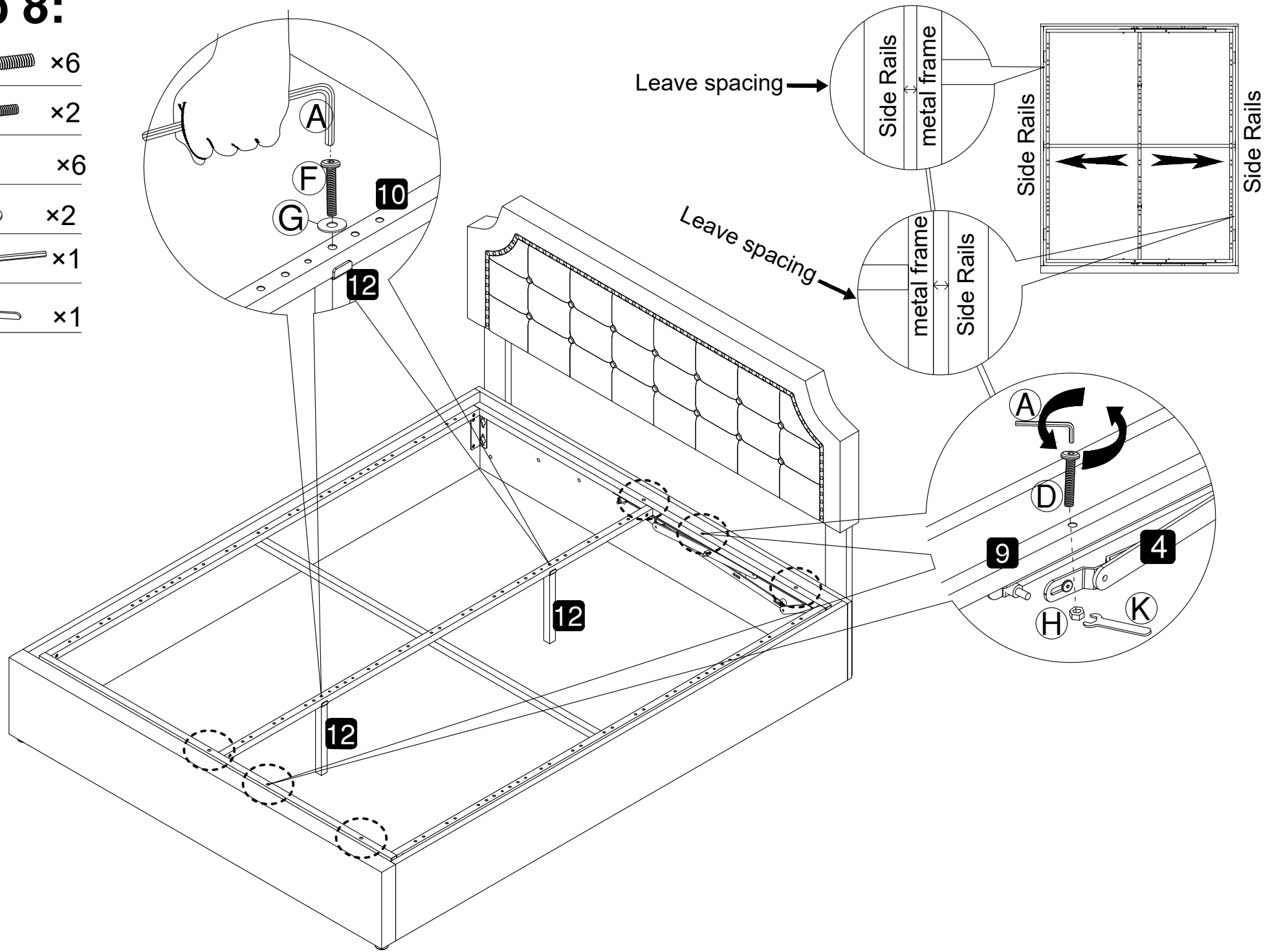
Ⓐ  x1

Ⓚ  x1


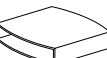


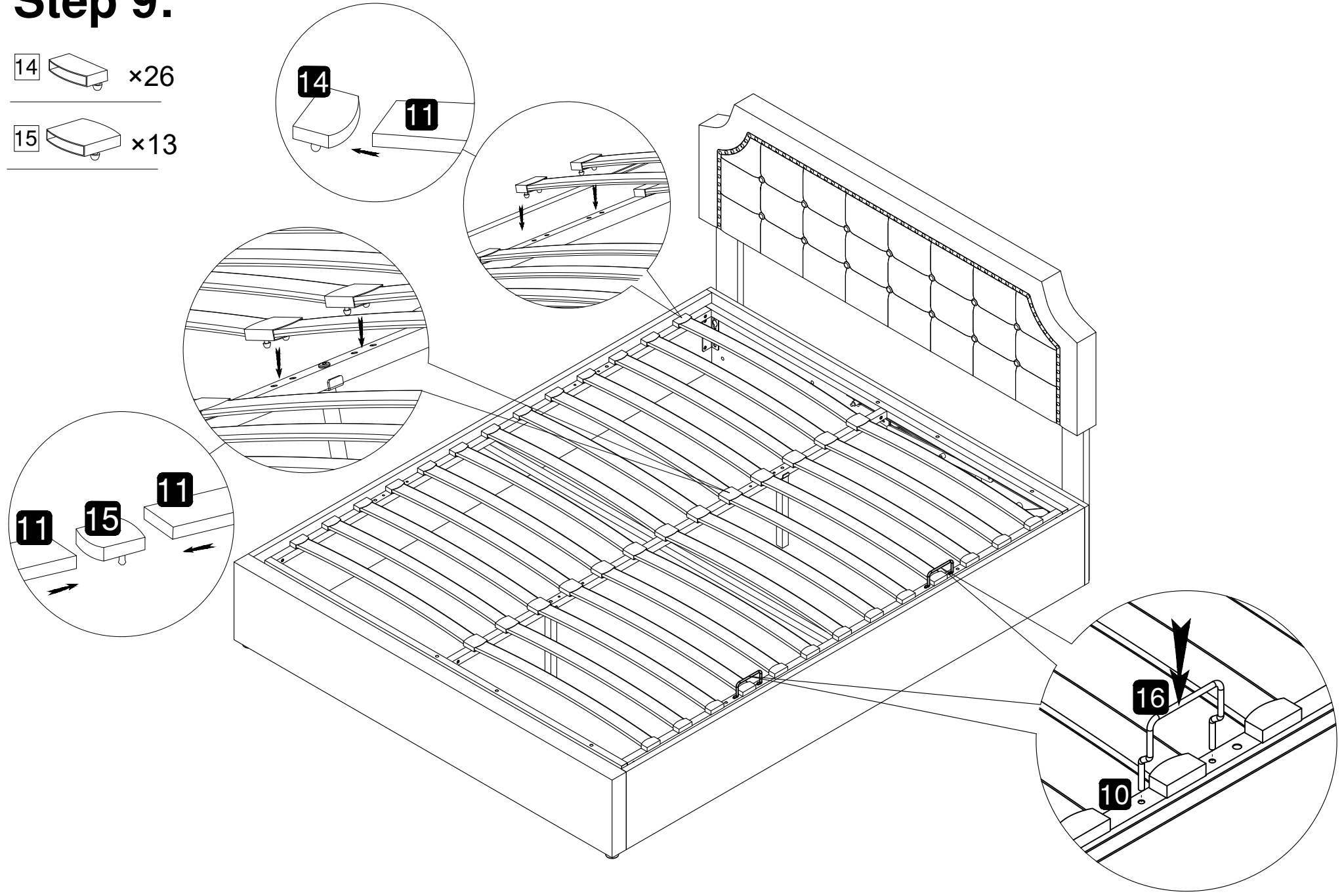
Step 8:

- D**  x6
- F**  x2
- H**  x6
- G**  x2
- A**  x1
- K**  x1





Step 9:

- 14**  x26
- 15**  x13



Step 10:

Ⓜ  x4

Ⓚ  x1

