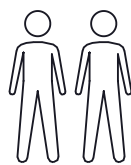
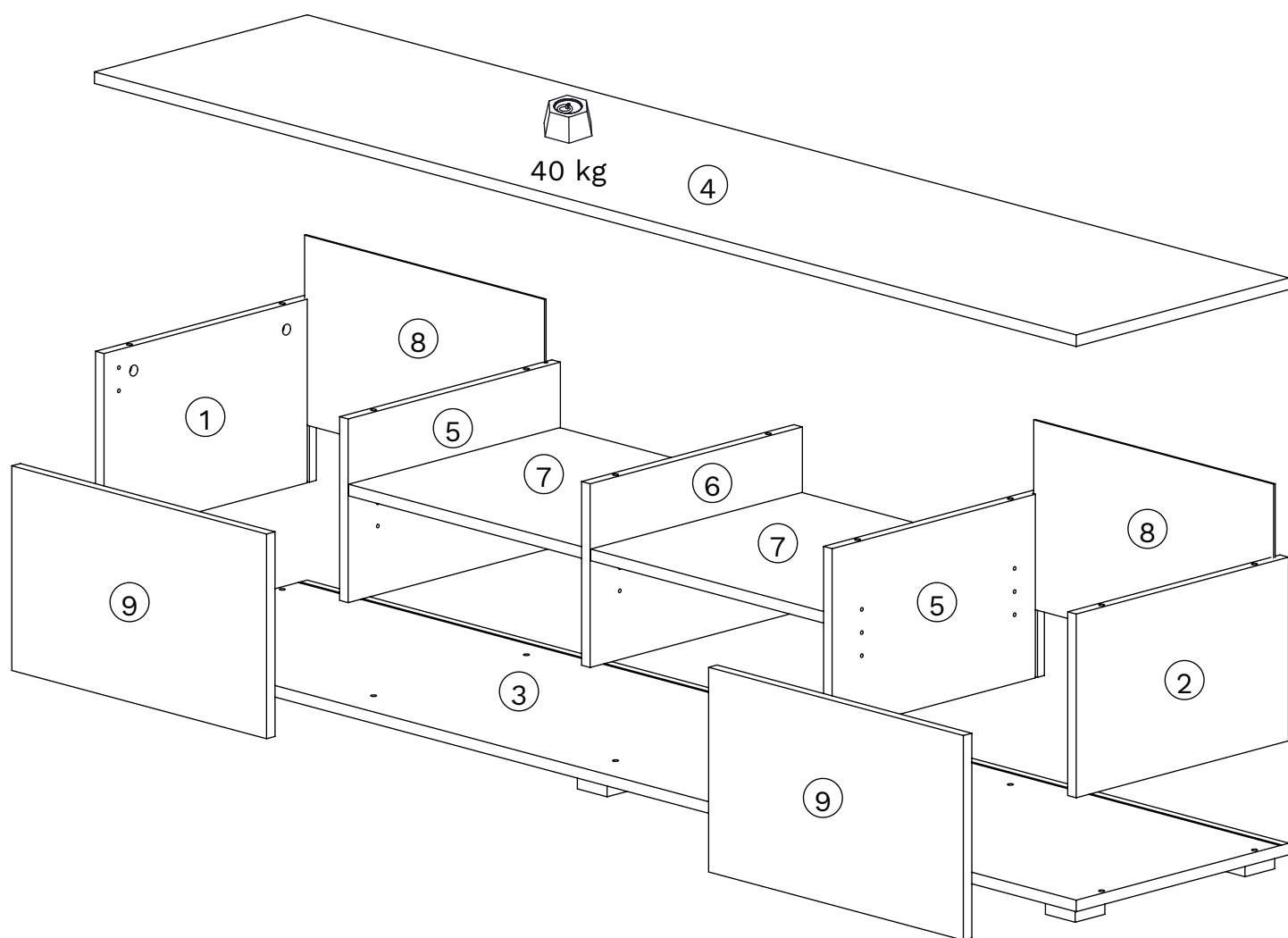


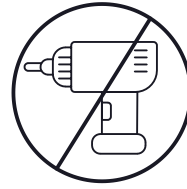
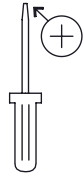
1:00



x 2



○	x	mm	
1	1	254 x 400 x 16	1
2	1	254 x 400 x 16	1
3	1	1850 x 401 x 16	1
4	1	1850 x 401 x 16	1
5	2	254 x 400 x 16	1
6	1	254 x 400 x 16	1
7	2	440 x 398 x 16	1
8	2	452 x 262 x 3	1
9	2	480 x 283 x 16	1



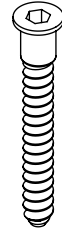
AA x6



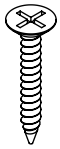
BA x6



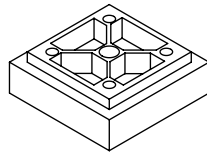
DA x8



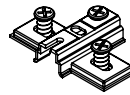
Ø6,3x50mm
CA x6



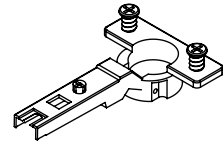
Ø4x30mm
ID x28



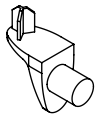
RP x7



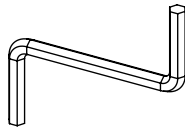
KL x4



KA x4



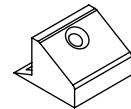
DDB x8



CLE x1



Ø3x20mm
GB x8



OB x8

1

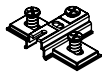
AA x6



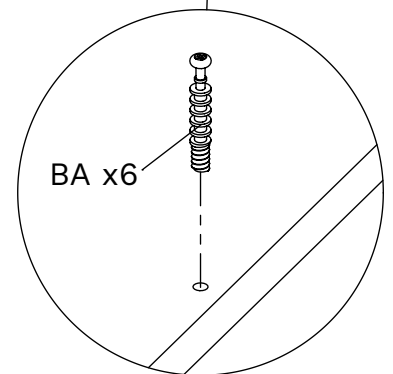
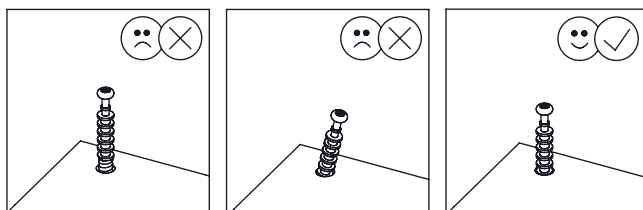
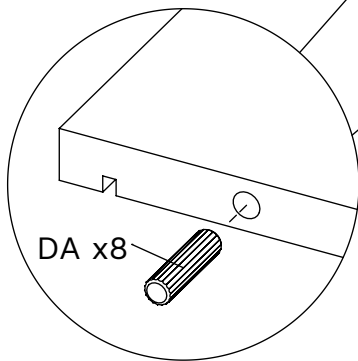
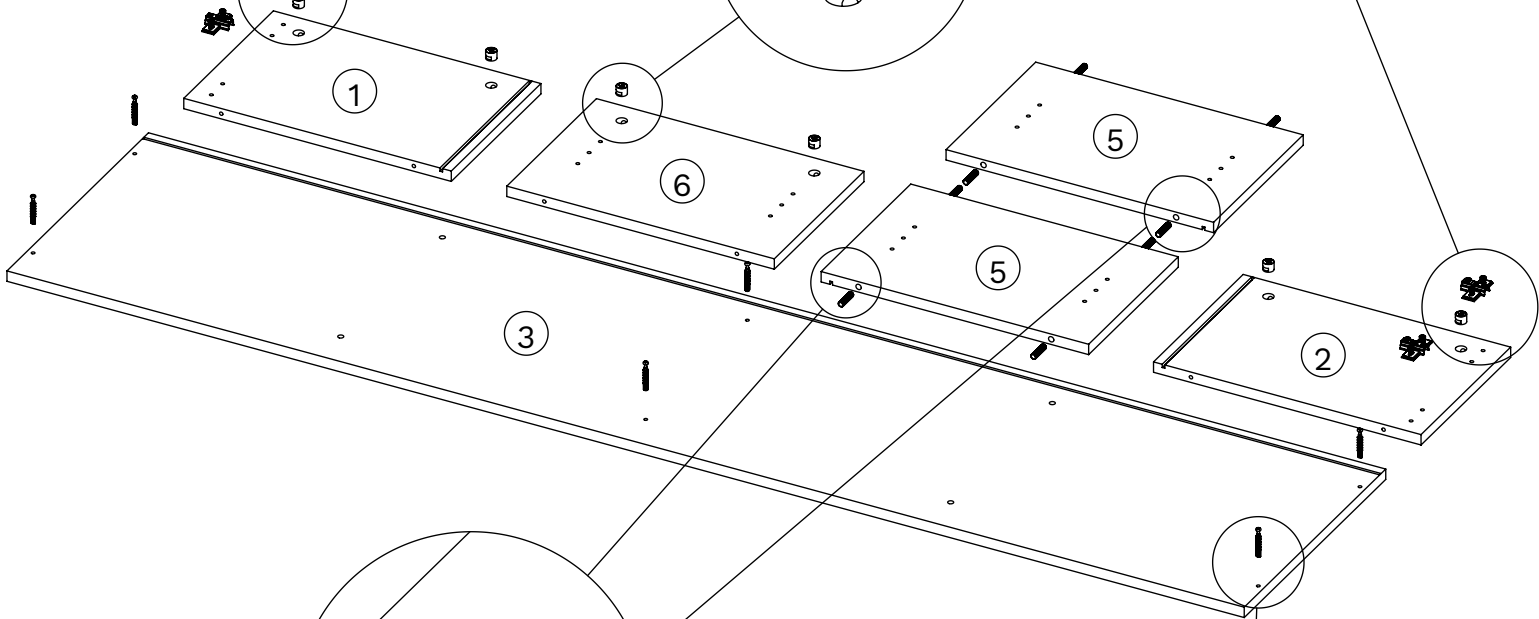
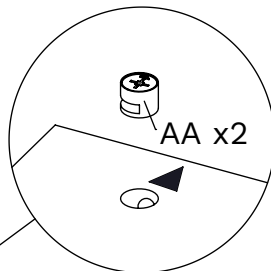
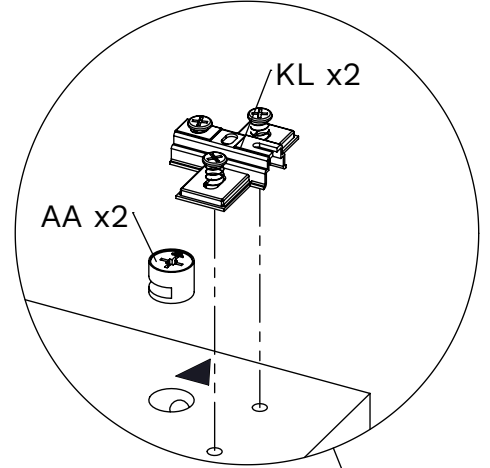
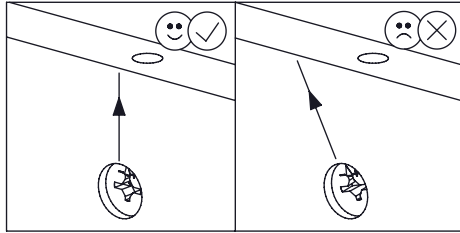
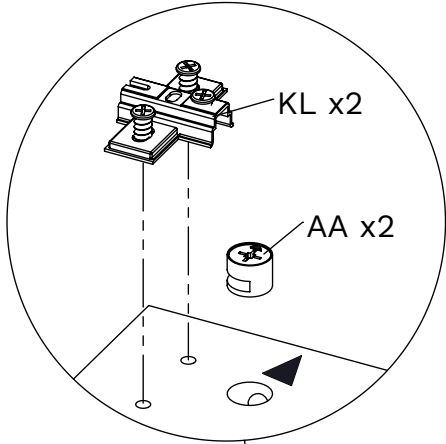
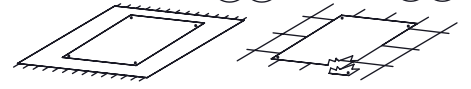
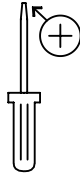
BA x6



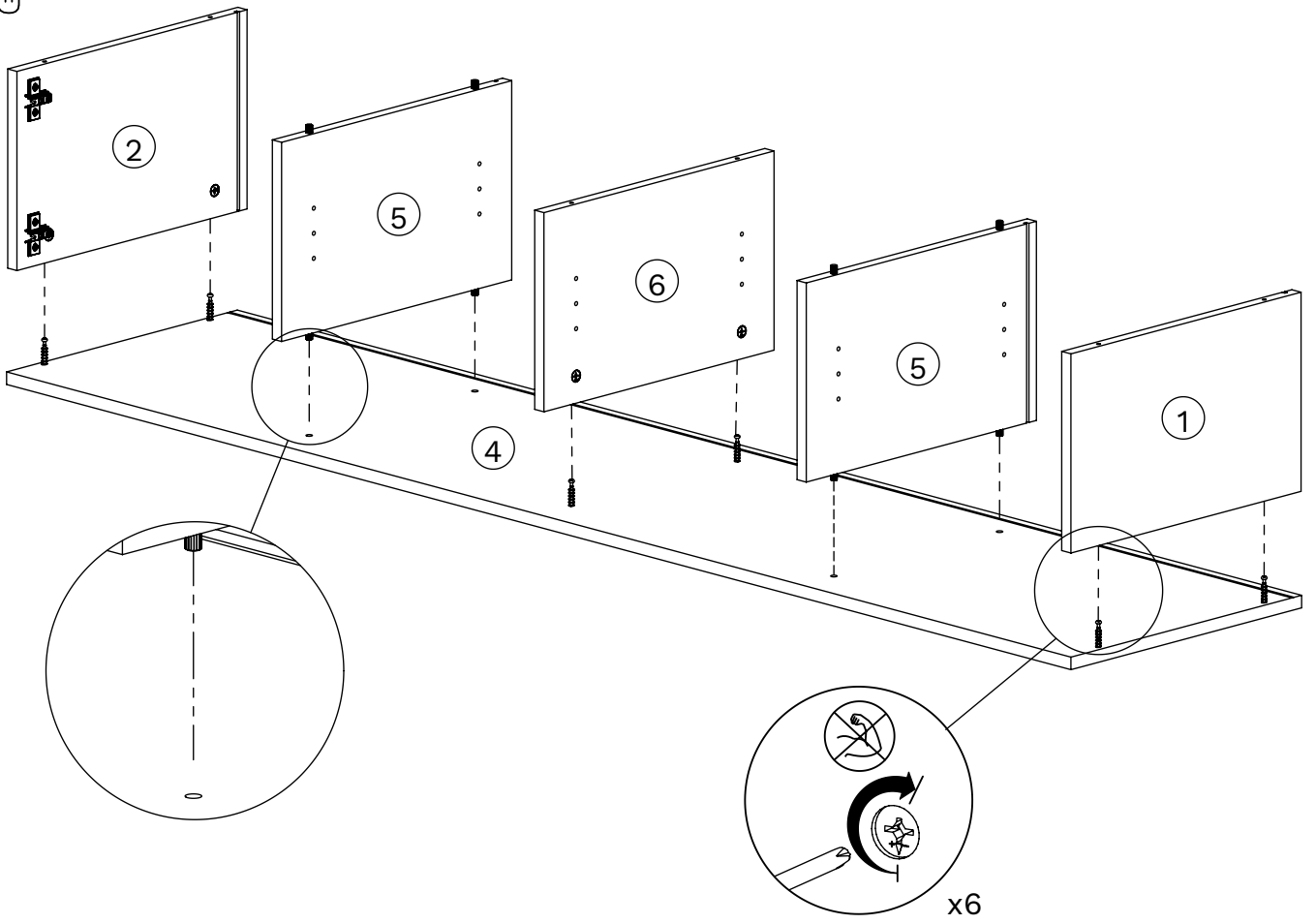
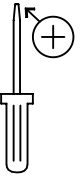
KL x4



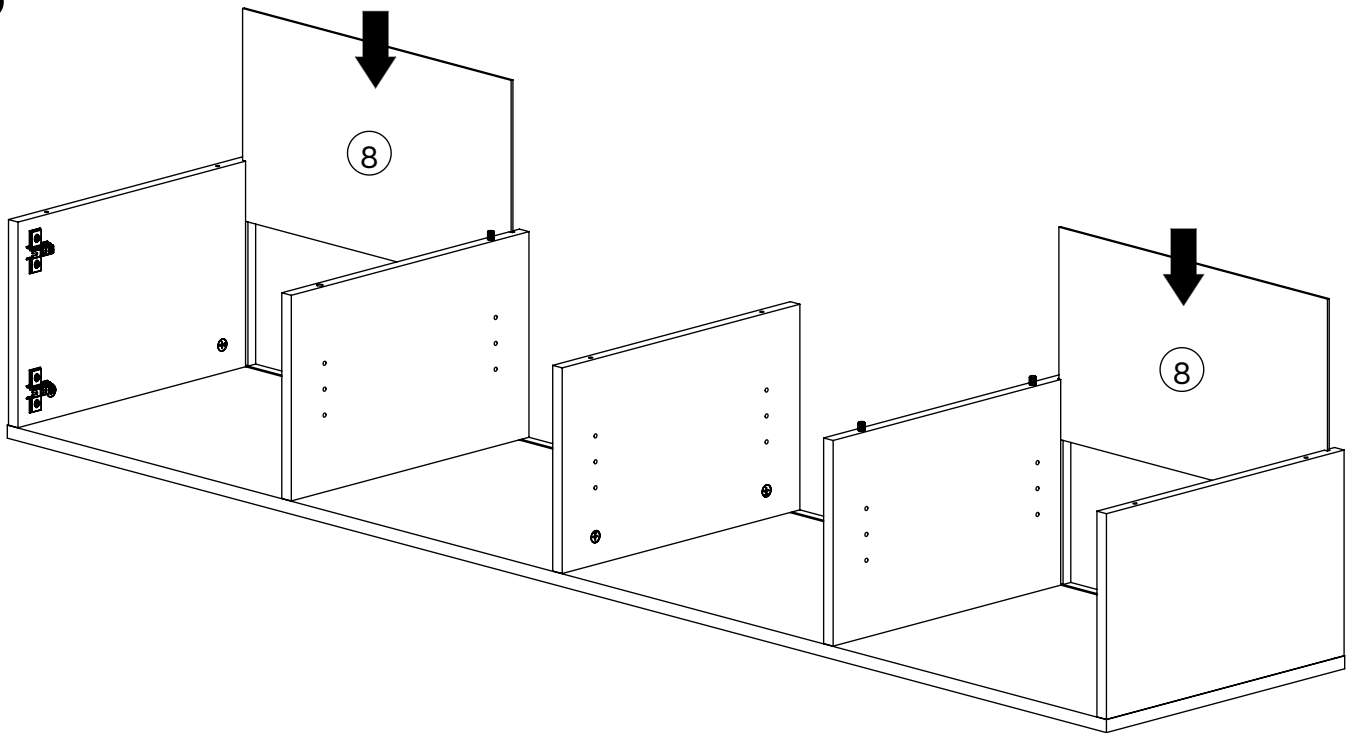
DA x8



2

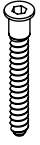


3

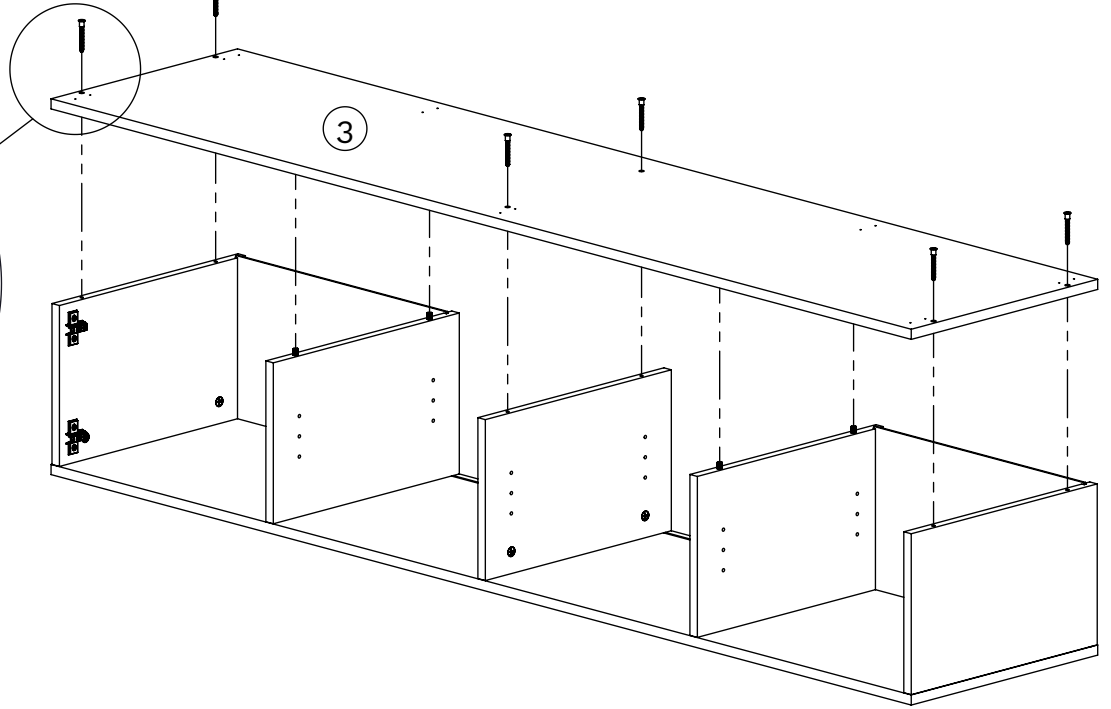
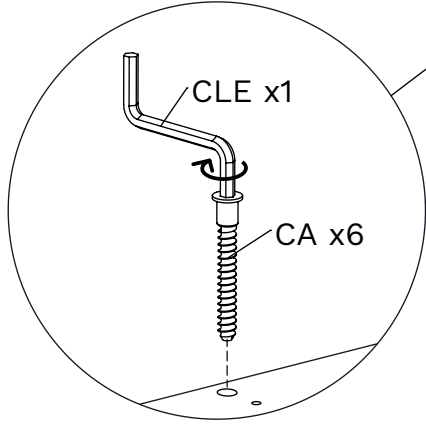
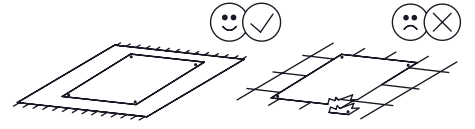


4

CA x6

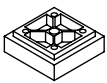


Ø6,3x50mm

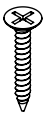


5

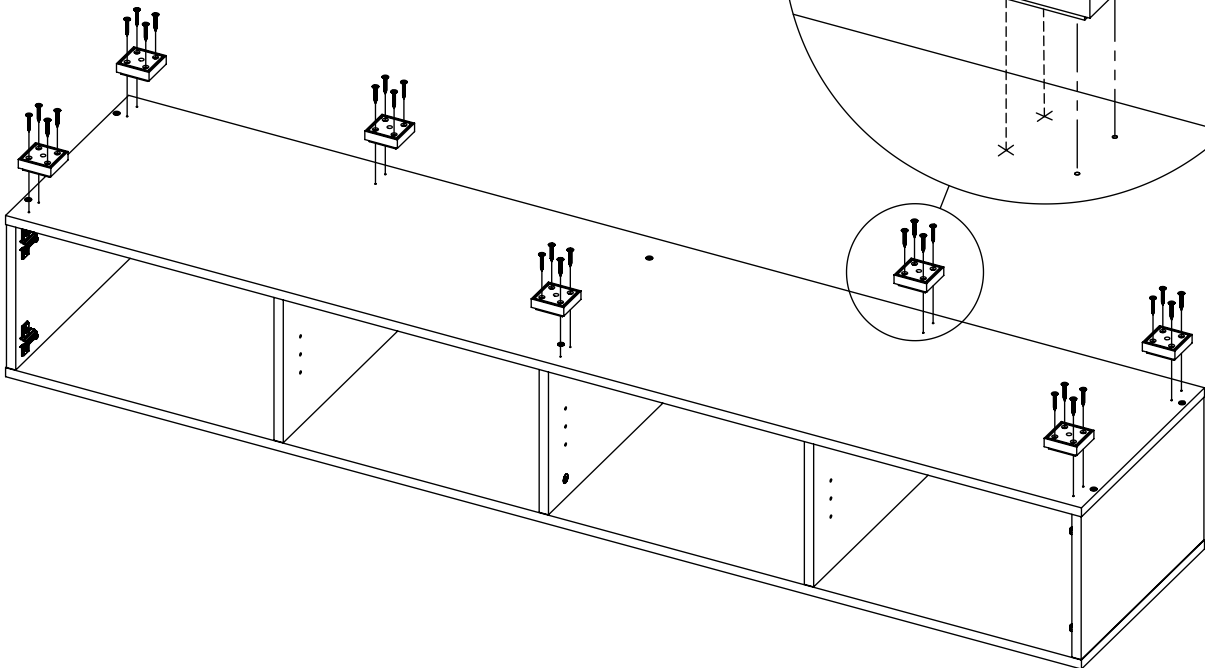
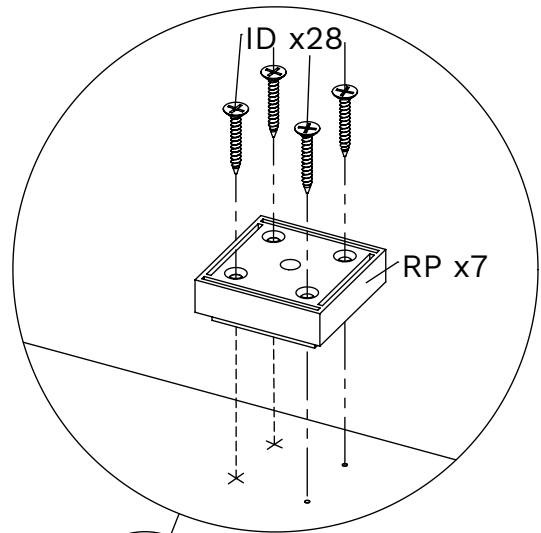
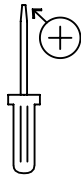
RP x7



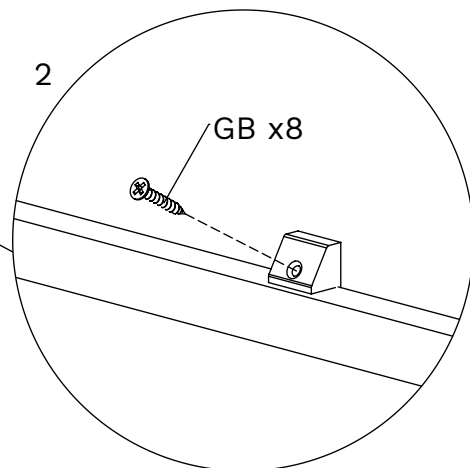
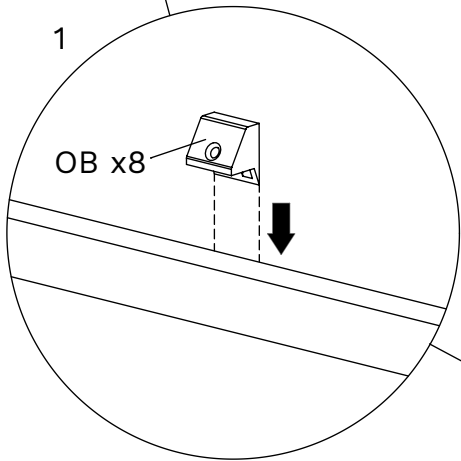
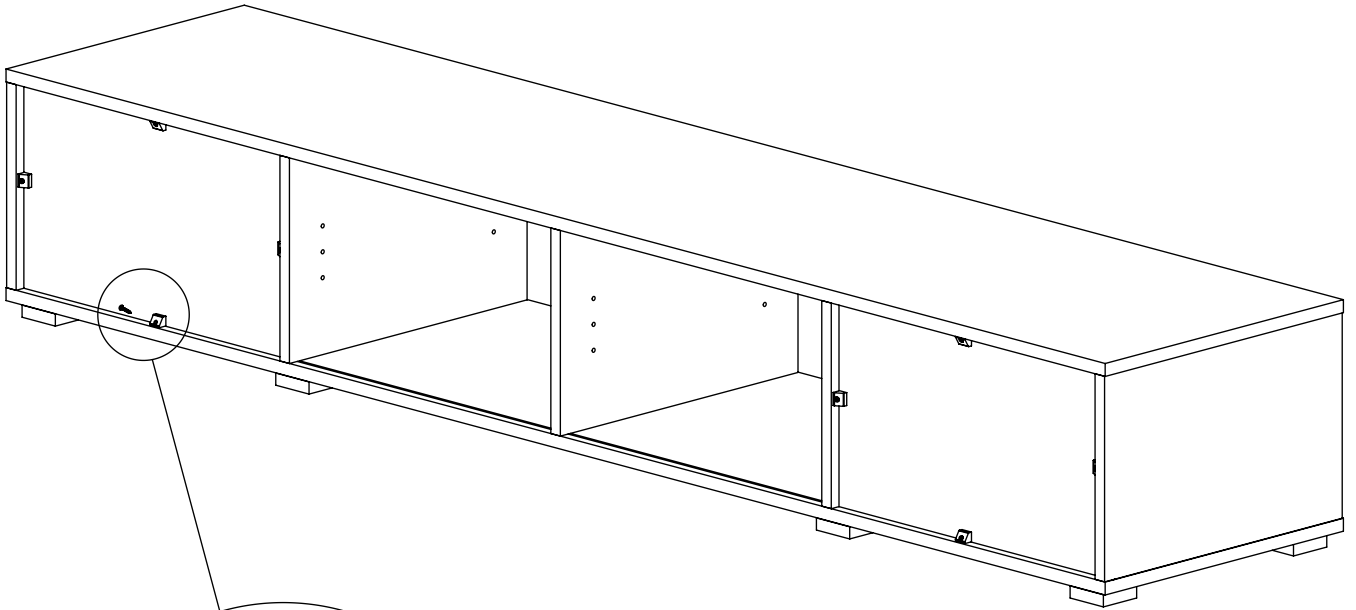
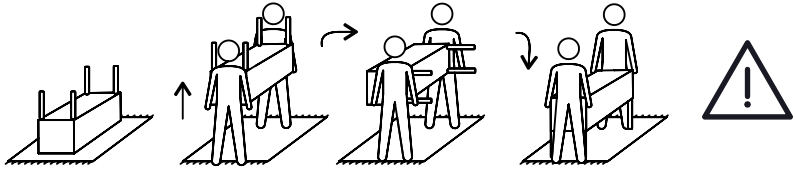
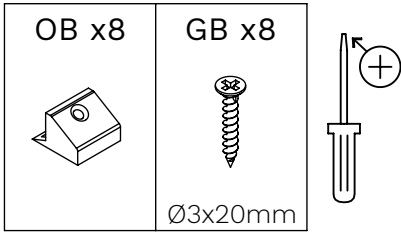
ID x28



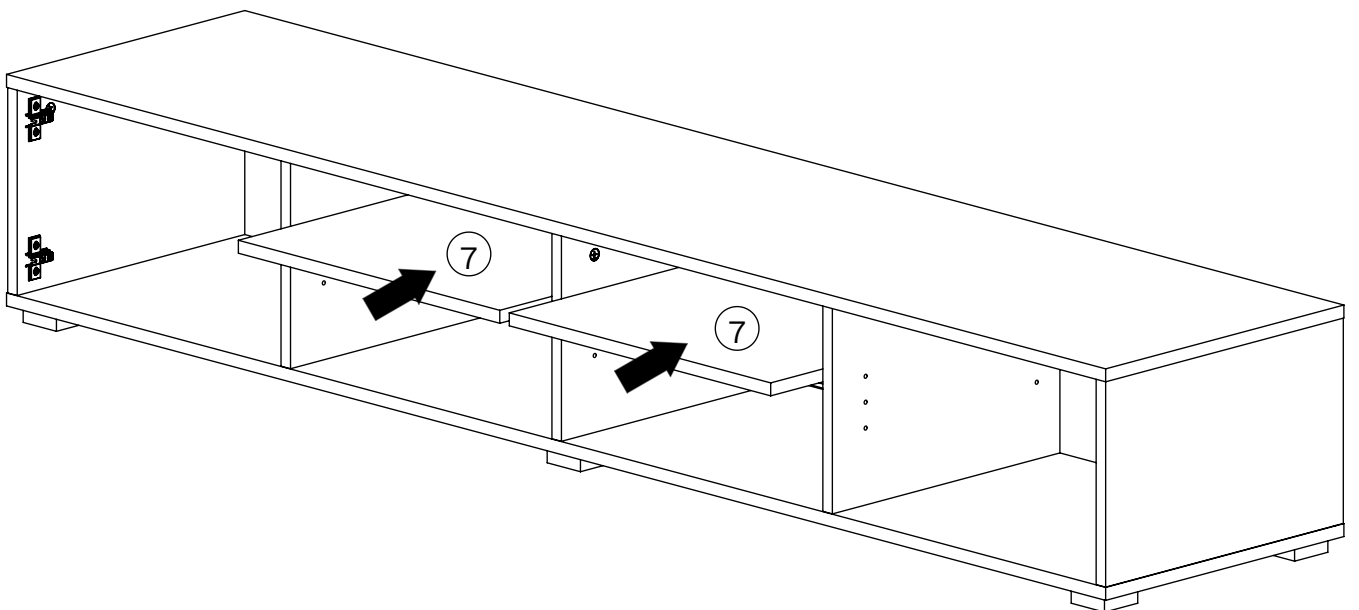
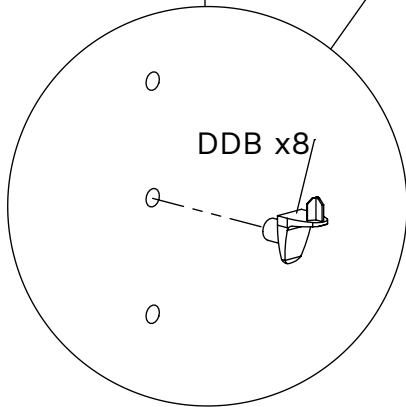
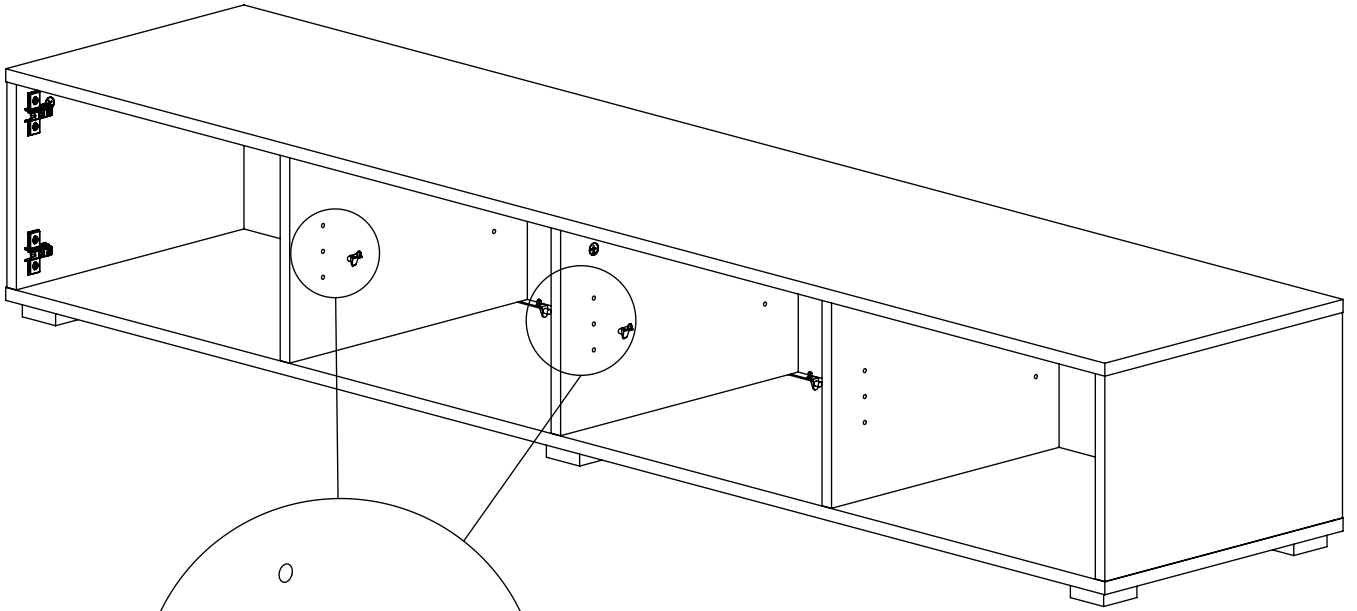
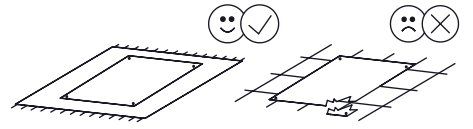
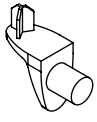
Ø4x30mm



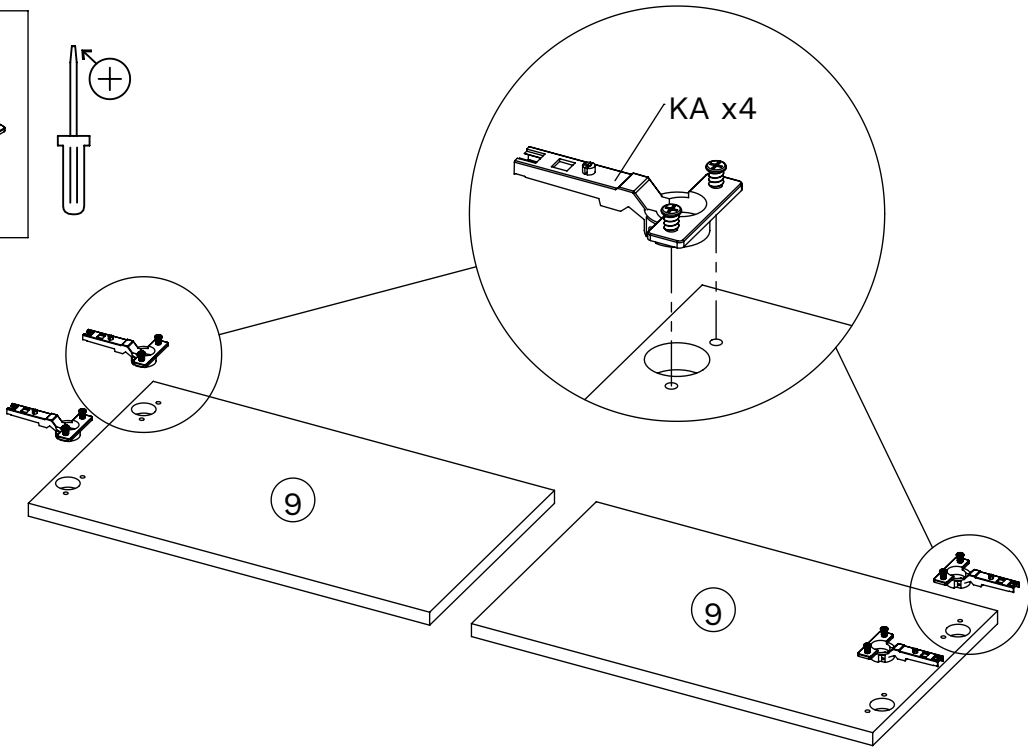
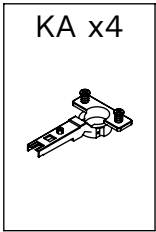
6



7 DDB x8



8



9

