





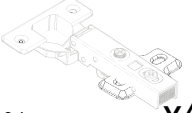

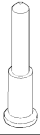
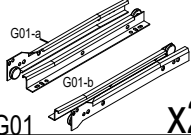
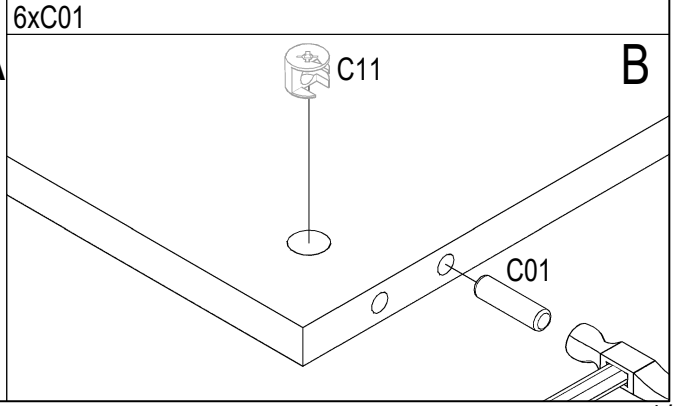
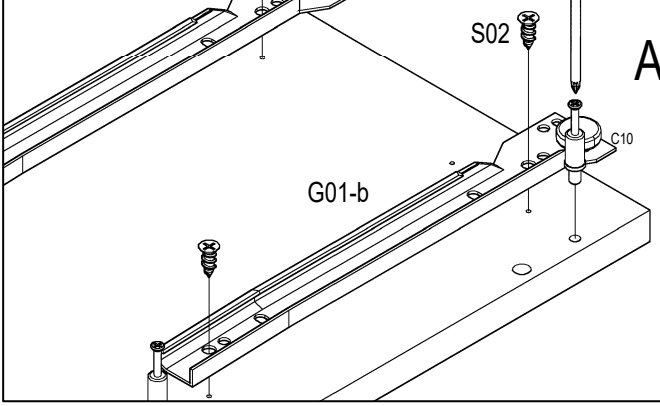
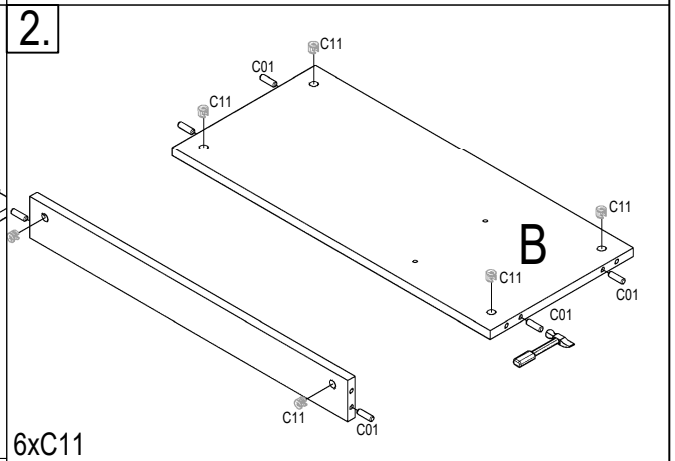
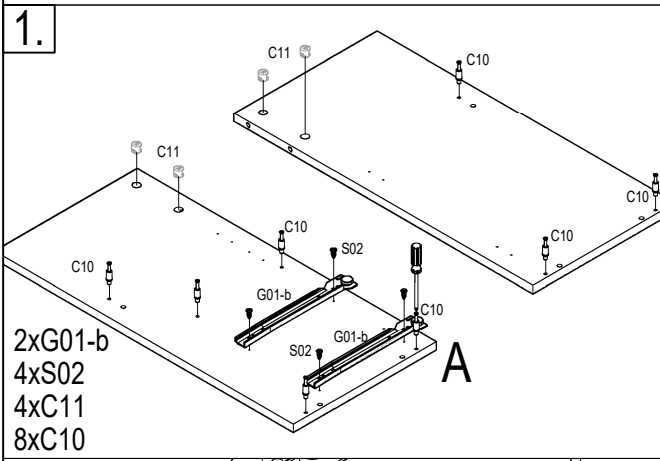
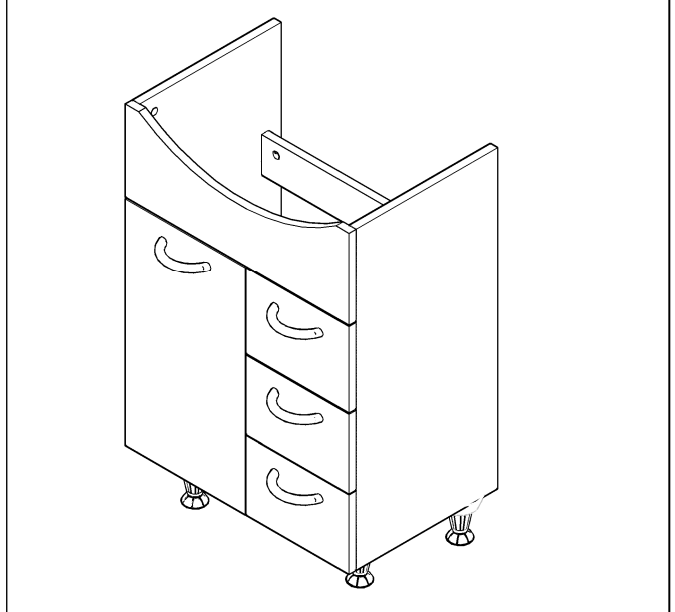
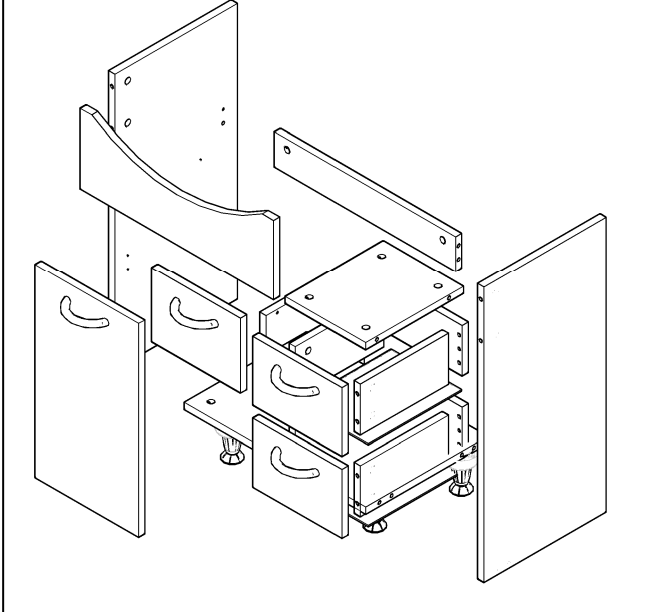
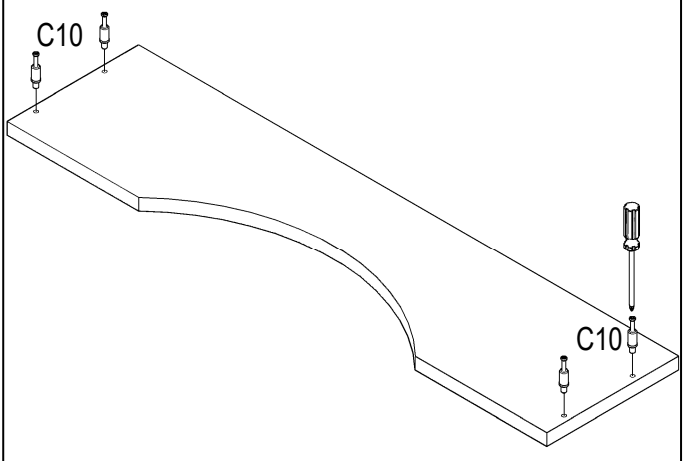


NR.25

 S02 x52	 S11 x8	 C01 x14	 C10 x22	 C11 x22	 P01 x4
 B01 x4	 M01 x4	 S01 x6	 G01 x2		

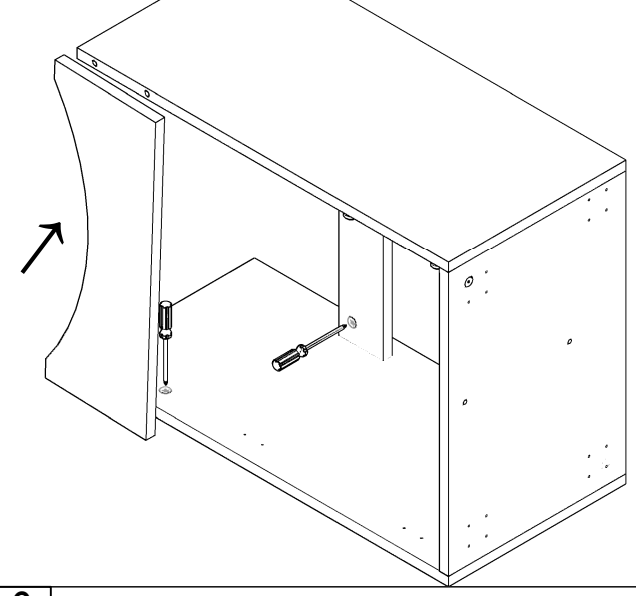


3.

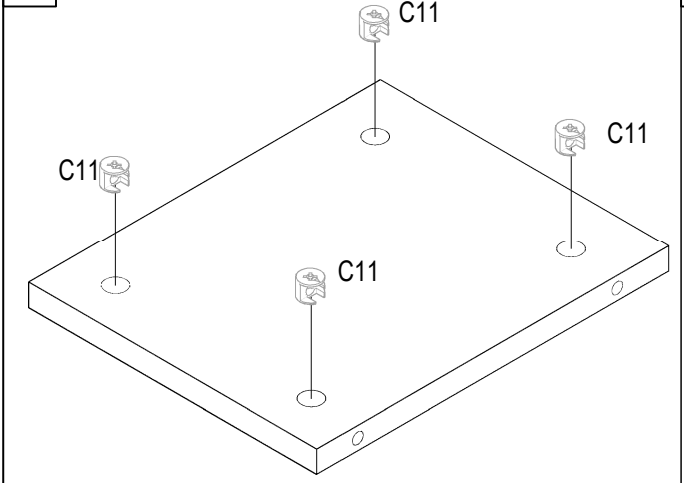


4xC10

4.

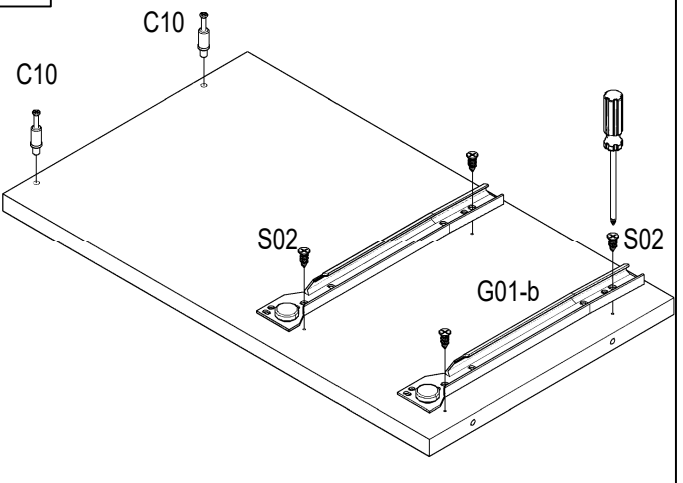


5.



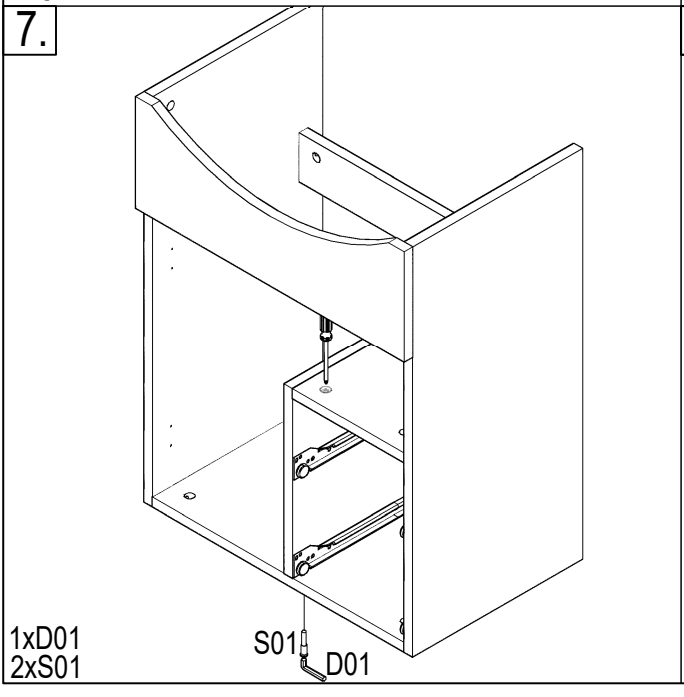
4xC11

6.



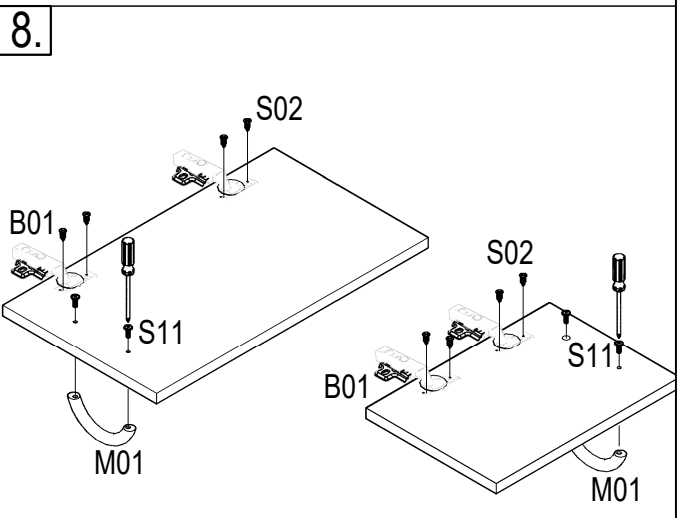
2xC10
2xG01-b
4xS02

7.



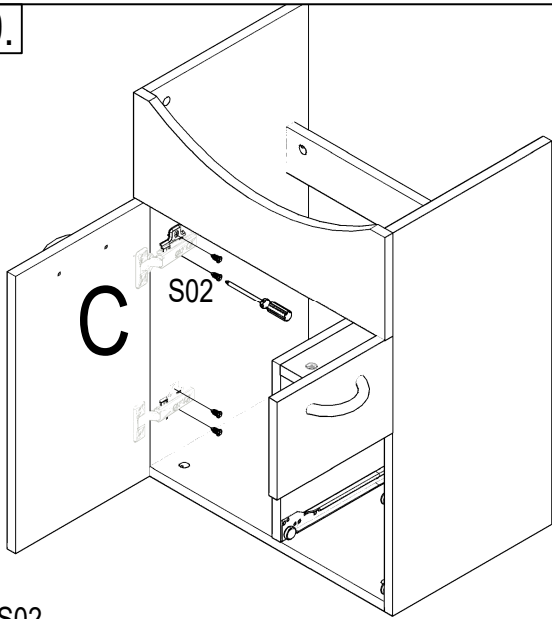
1xD01
2xS01

8.



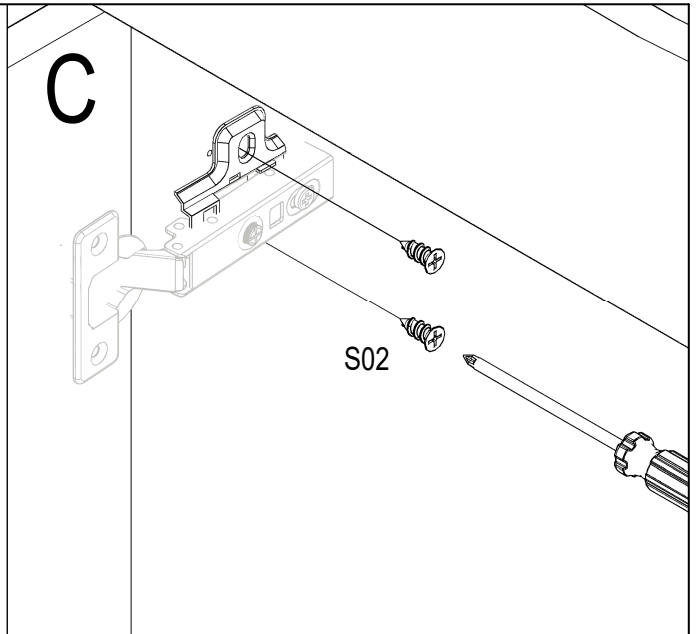
2xM01
4xS11
8xS02
4xB01

9.



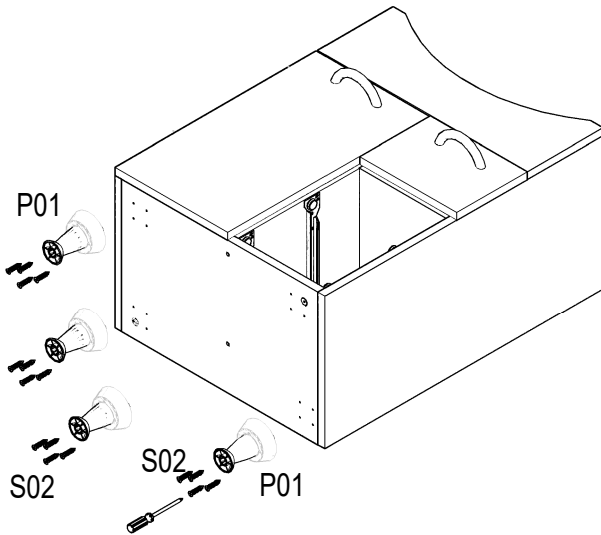
8xS02

C



S02

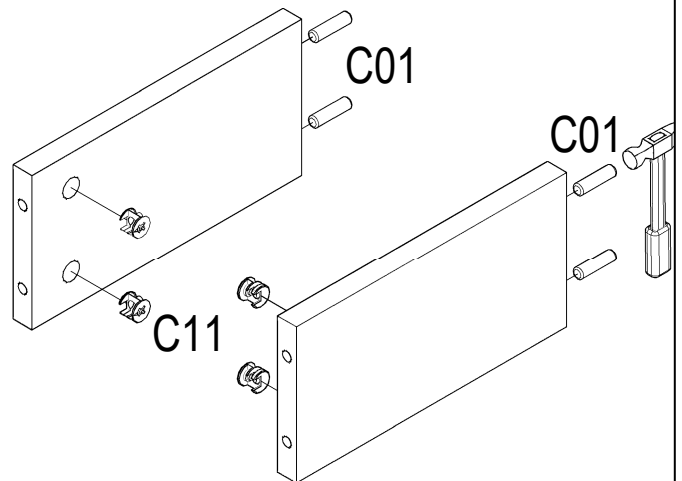
10



16xS02
4xP01

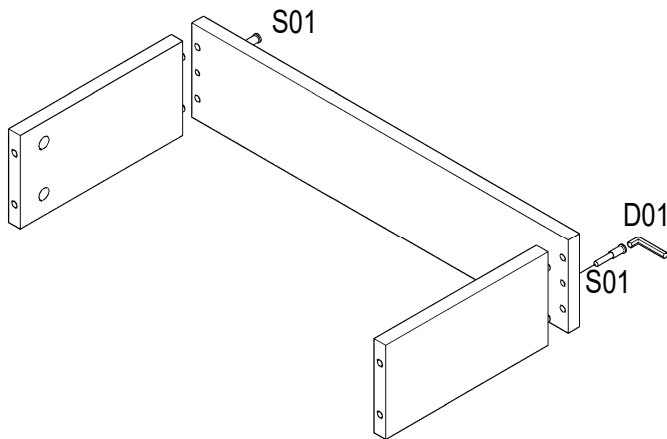
11

X 2



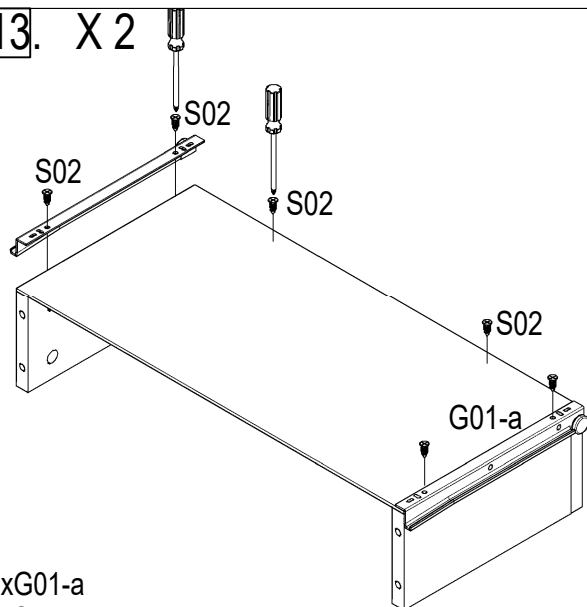
4xC11
4xC01

12. X 2



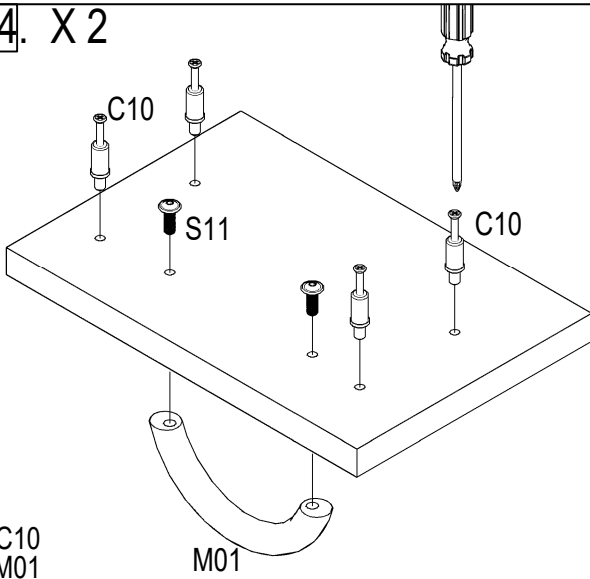
1xD01
2xS01

13. X 2



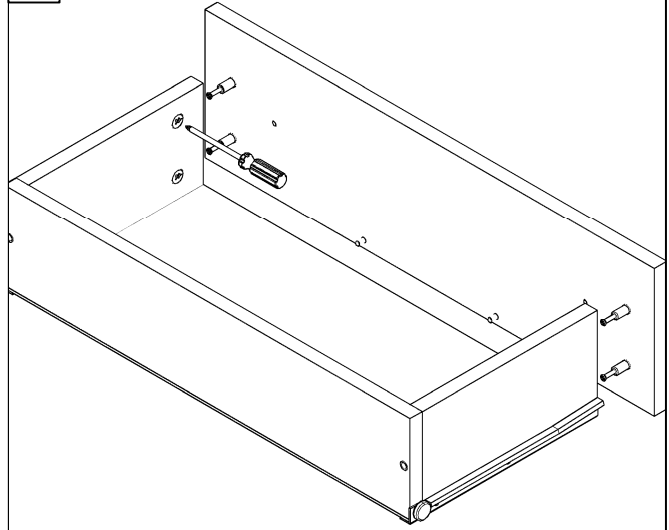
2xG01-a
6xS02

14. X 2

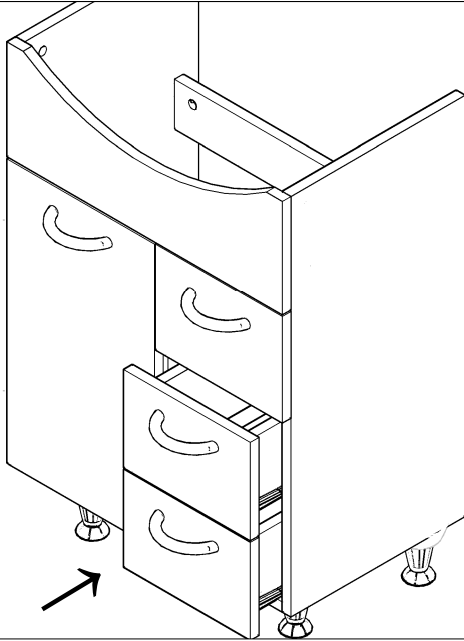


4xC10
1xM01
2xS11

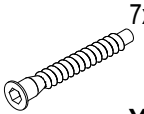



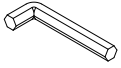
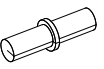
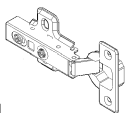



15. X 2

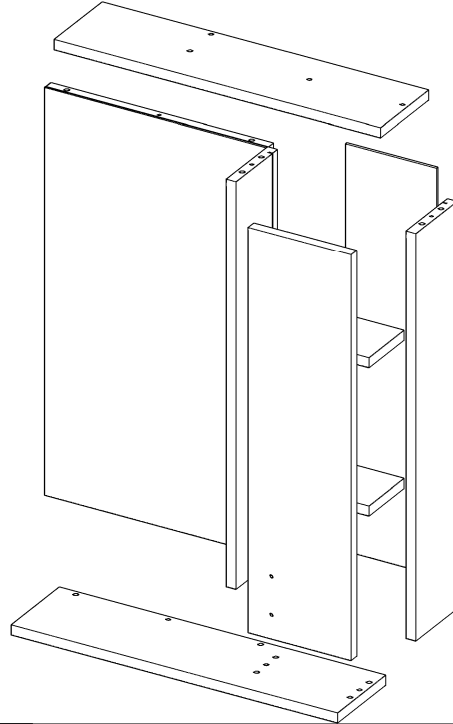
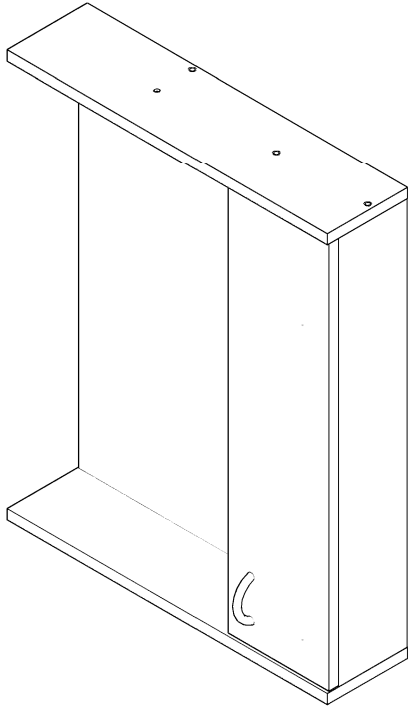


16

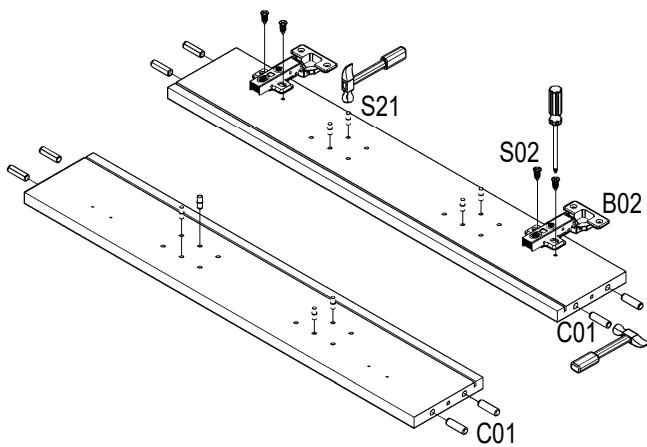


NR.1

 7x50 S01 x6	 3.5x16 S02 x8	 M4x22 S11 x2	 C01 x12	 D01 x1	 S21 x8
 B01 x2	 M01 x1	 A04 x2	 D04 x1		

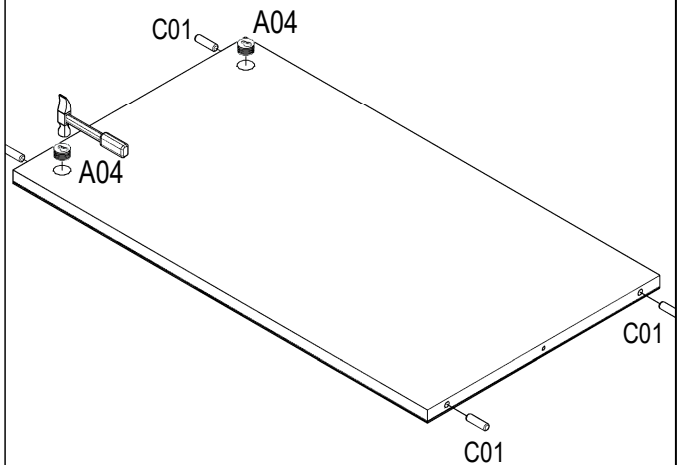


1.



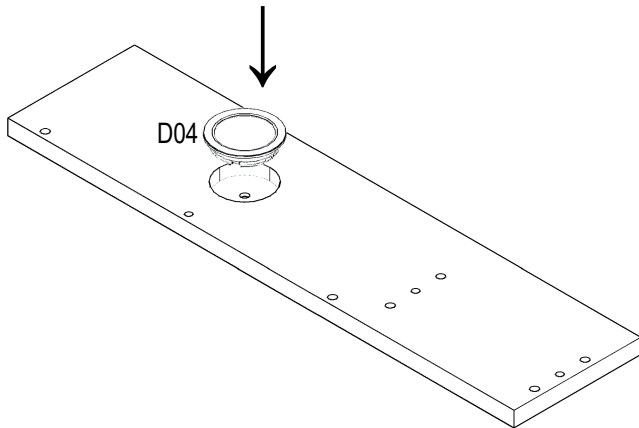
8xC01
 8xS21
 2xB02
 4xS02

2.



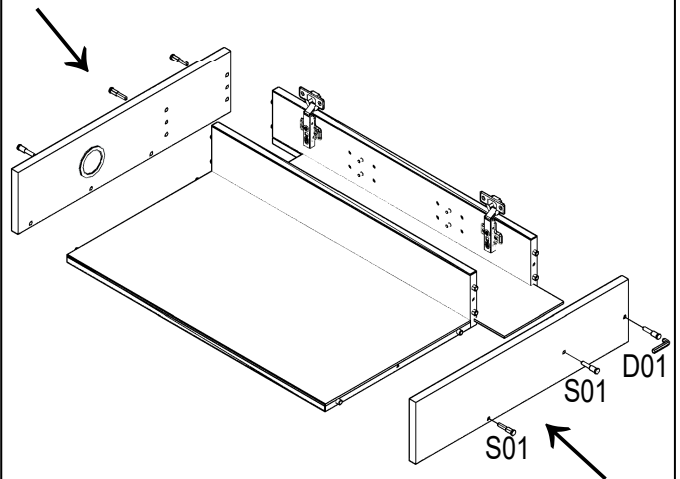
2xA04
 4xC01

3.



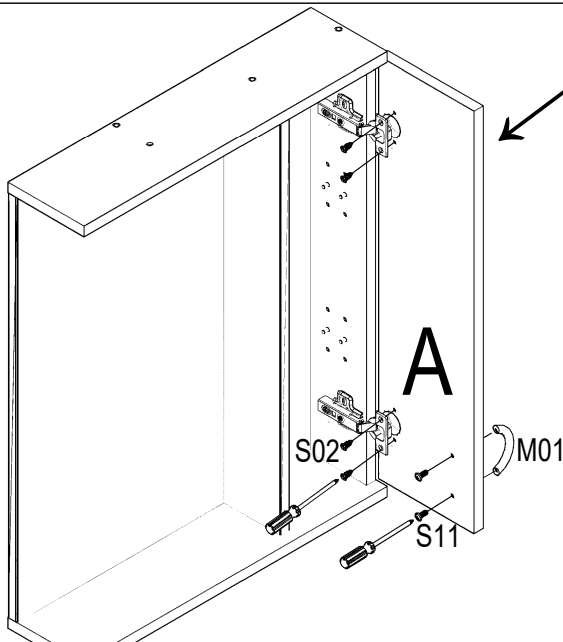
1xD04

4.

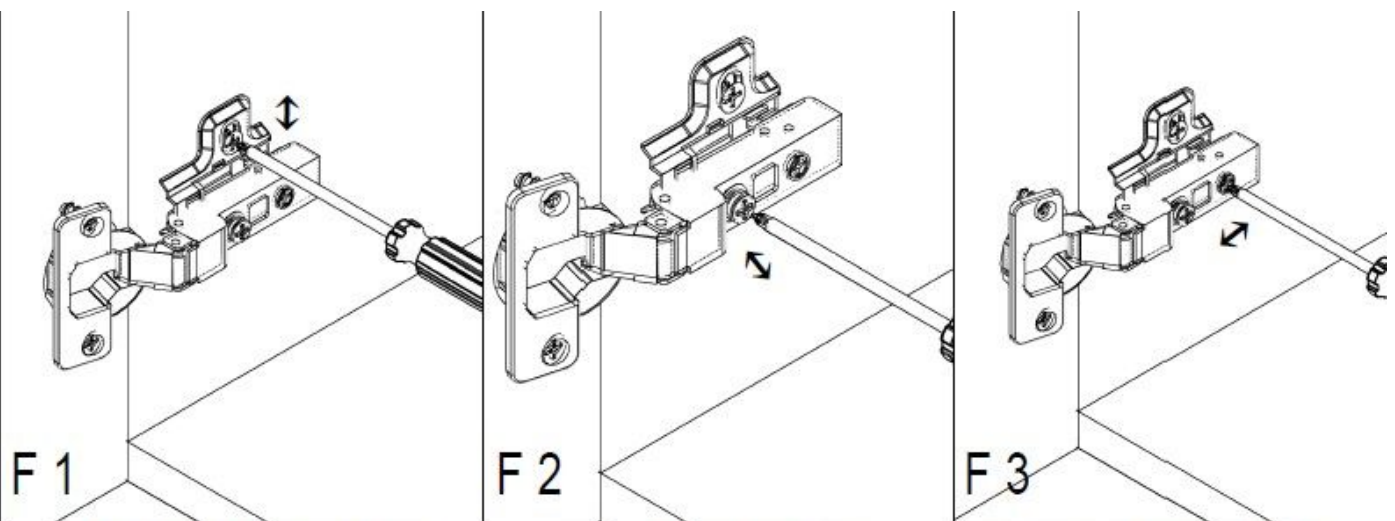
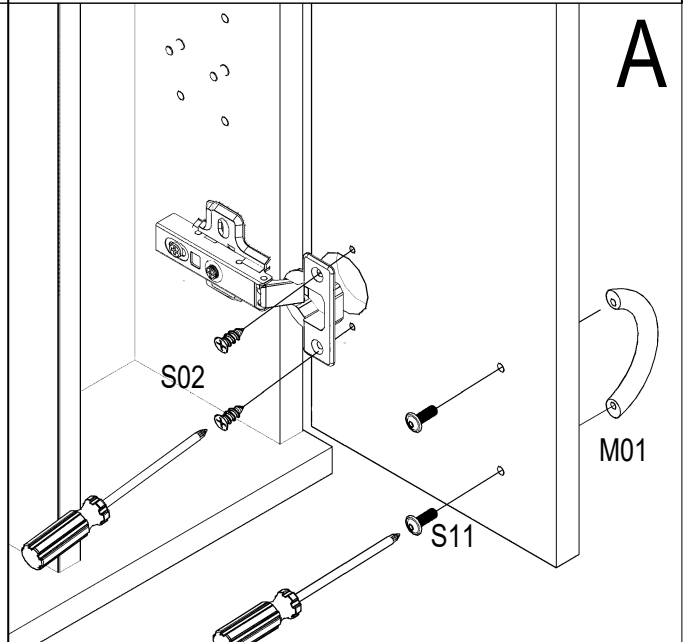


6xS01
1xD01

5.



1xM01
2xS11
4xS02



F 1

F 2

F 3

HEIGHT ADJUSTMENT

SIDE ADJUSTMENT

DEPTH ADJUSTMENT