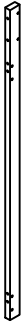

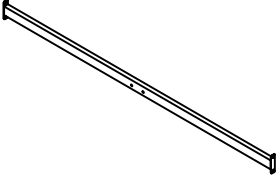
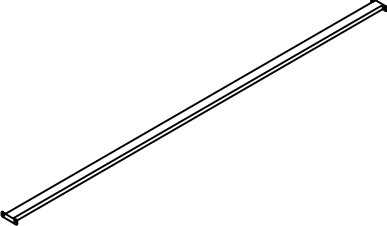
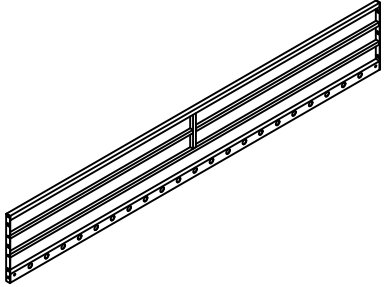
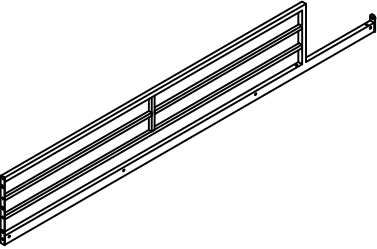
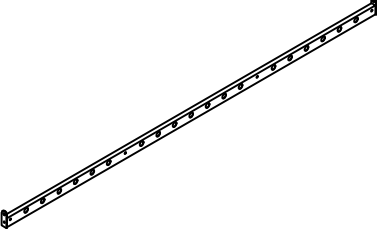
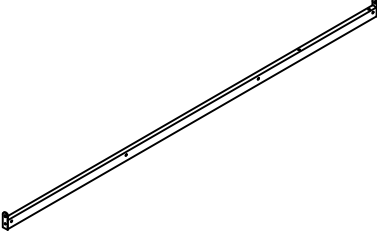












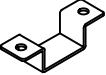



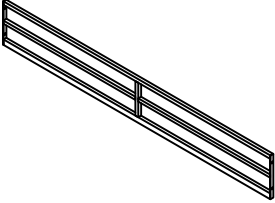
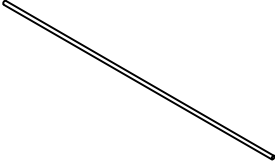
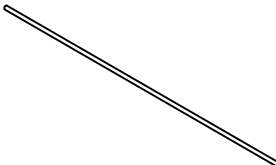
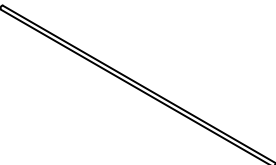
Parts List

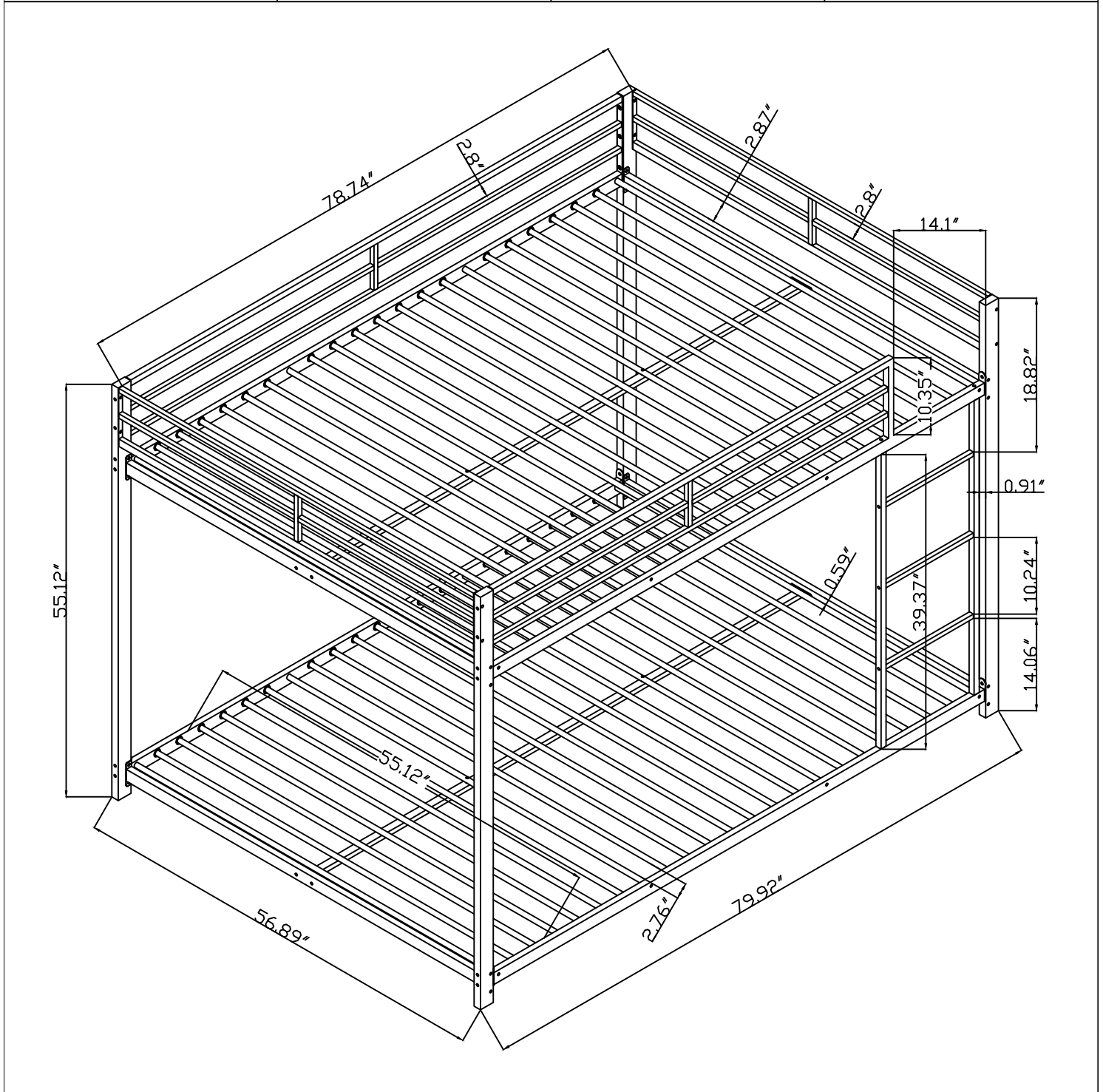
A	B	D	H	I	
					
3PCS	1PC	4PCS	2PCS	1PC	
J		K	L	M	N
					
1PC		1PC	1PC	2PCS	3PCS

Hardware List

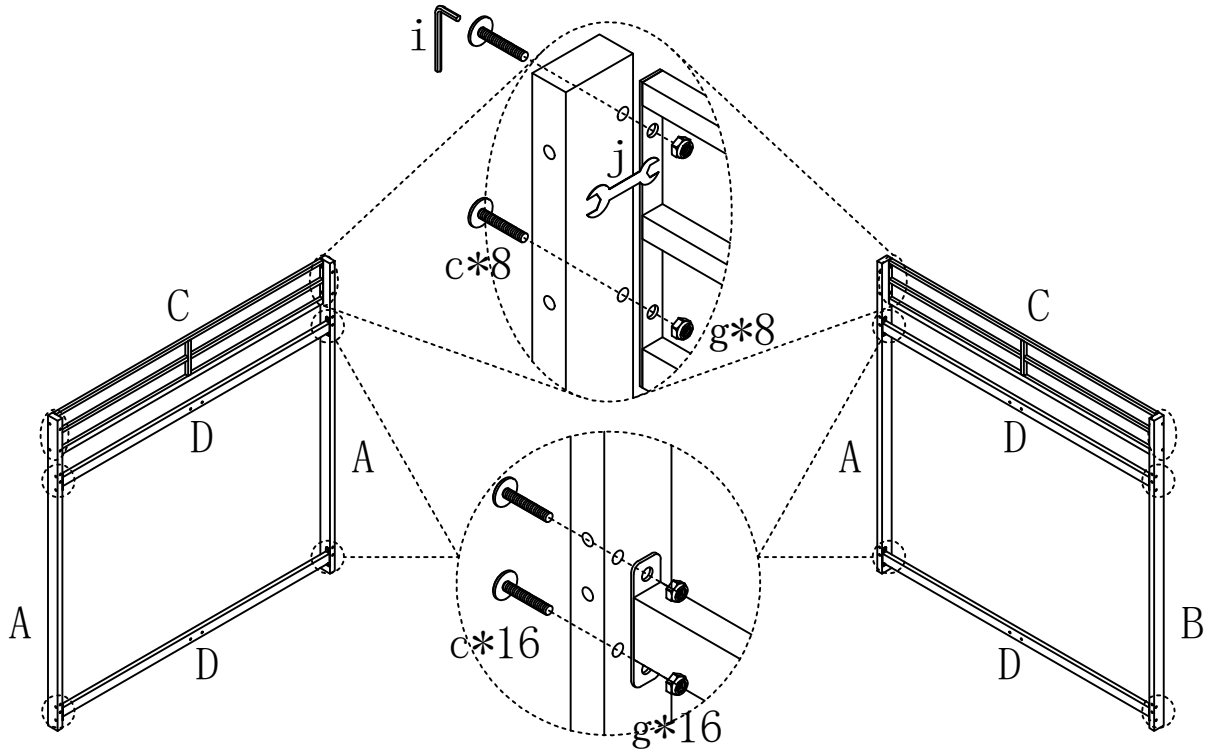
a	b	c	d	e	f	g	h	i	j
									
1/4*62 22PCS	1/4*50 4PCS	1/4*35 24PCS	1/4*32 22PCS	1/4*16 8PCS	22PCS	46PCS	84PCS	2PCS	2PCS
k	l								
									
2PCS	4PCS								

Parts List

C	E	F	G
			
2PCS	4PCS	4PCS	38PCS



1



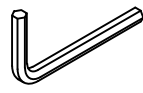
HARDWARE REQUIRED



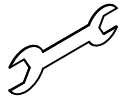
c*24



g*24

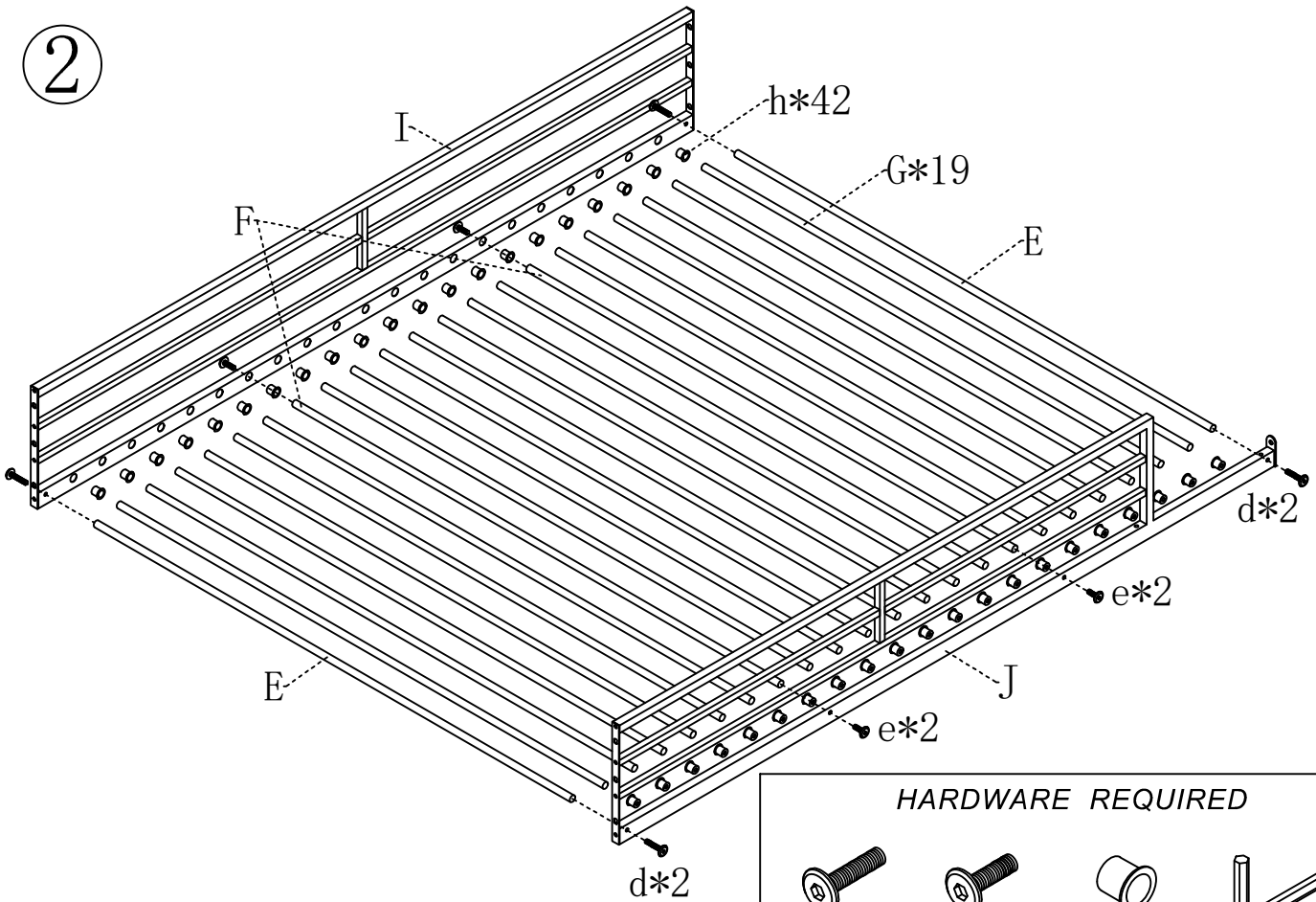


i*1



j*1

2



HARDWARE REQUIRED



d*4



e*4

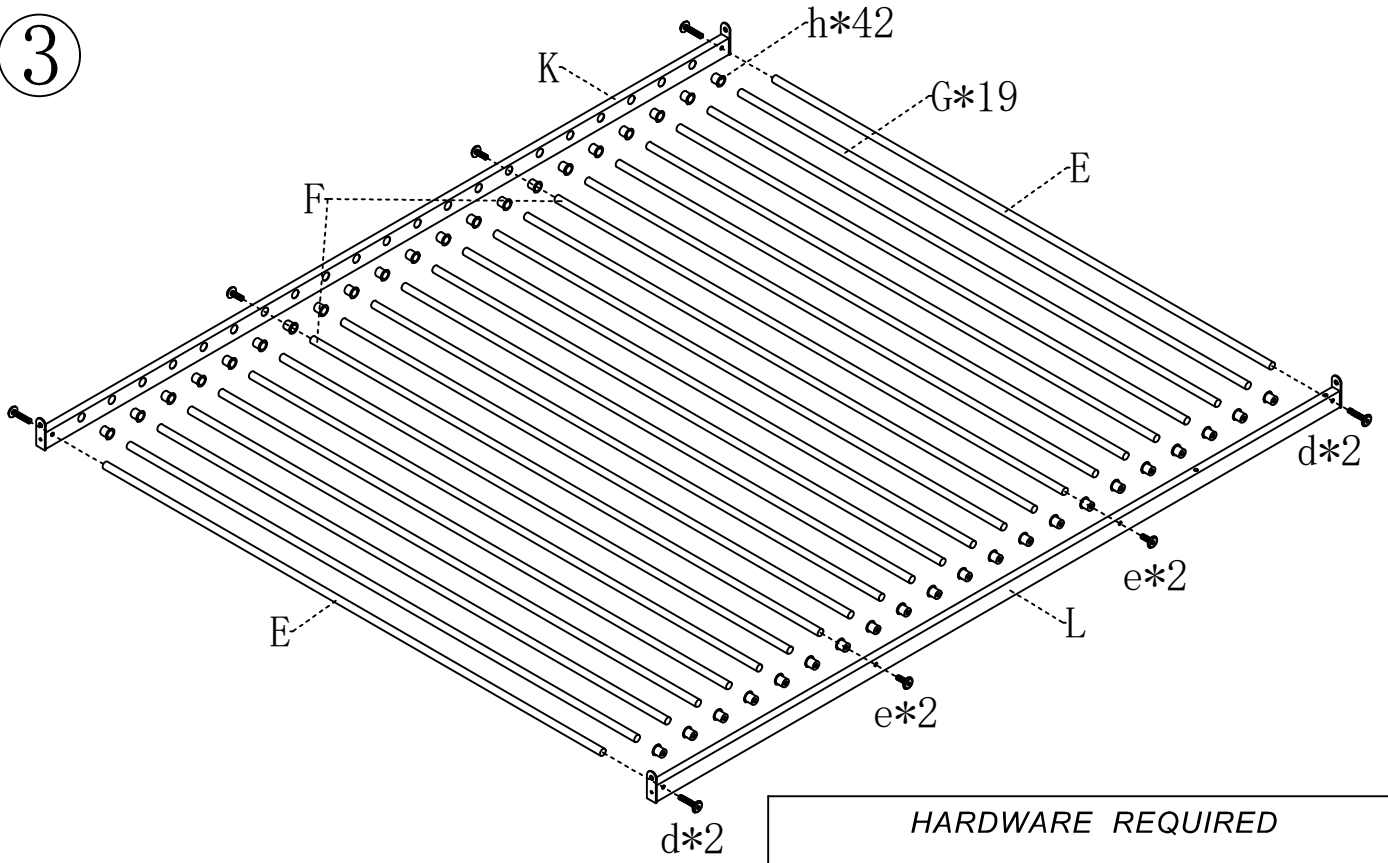


h*42



i*1

3



HARDWARE REQUIRED



d*4



e*4

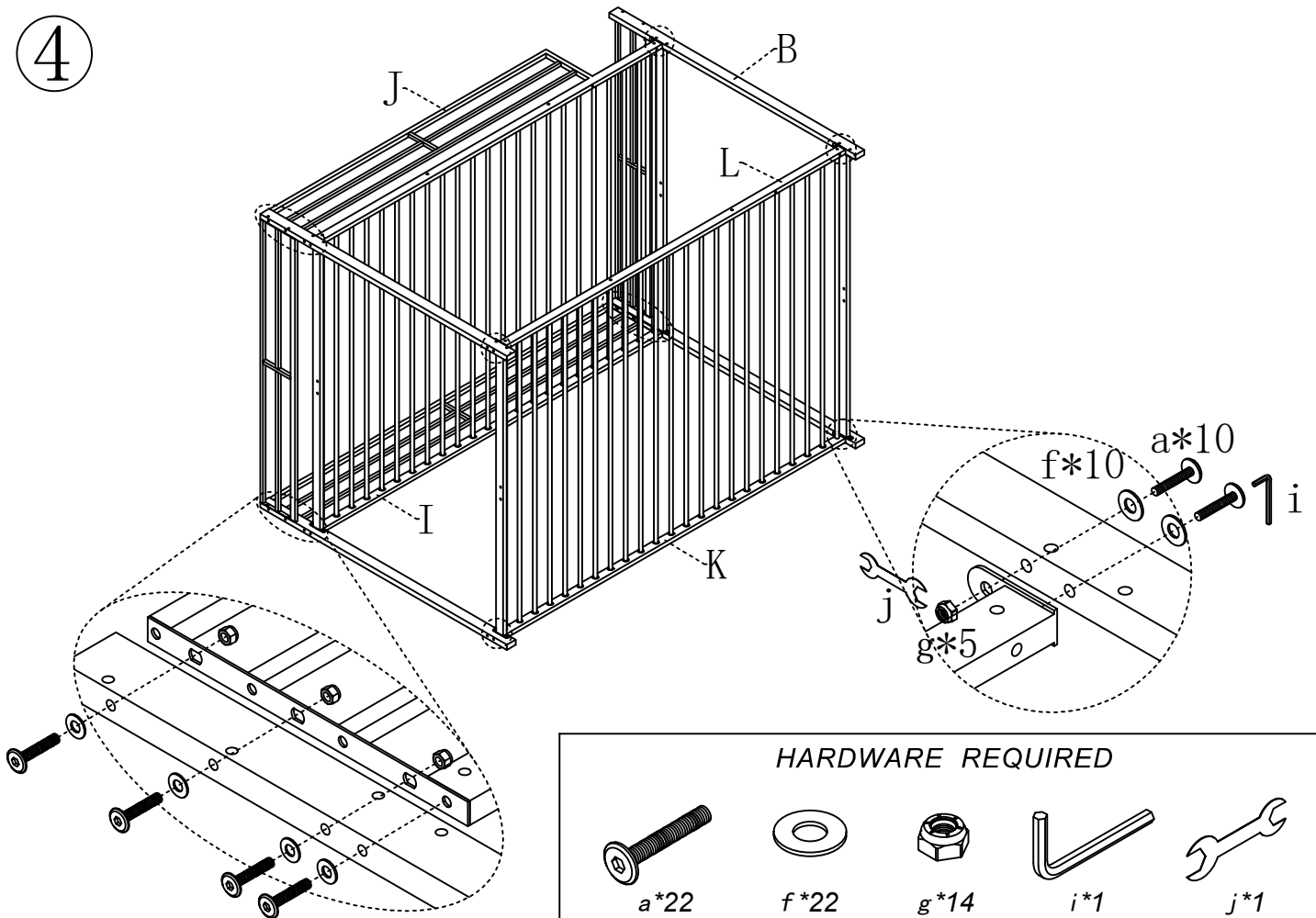


h*42

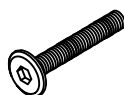


i*1

4



HARDWARE REQUIRED



a*22



f*22



g*14

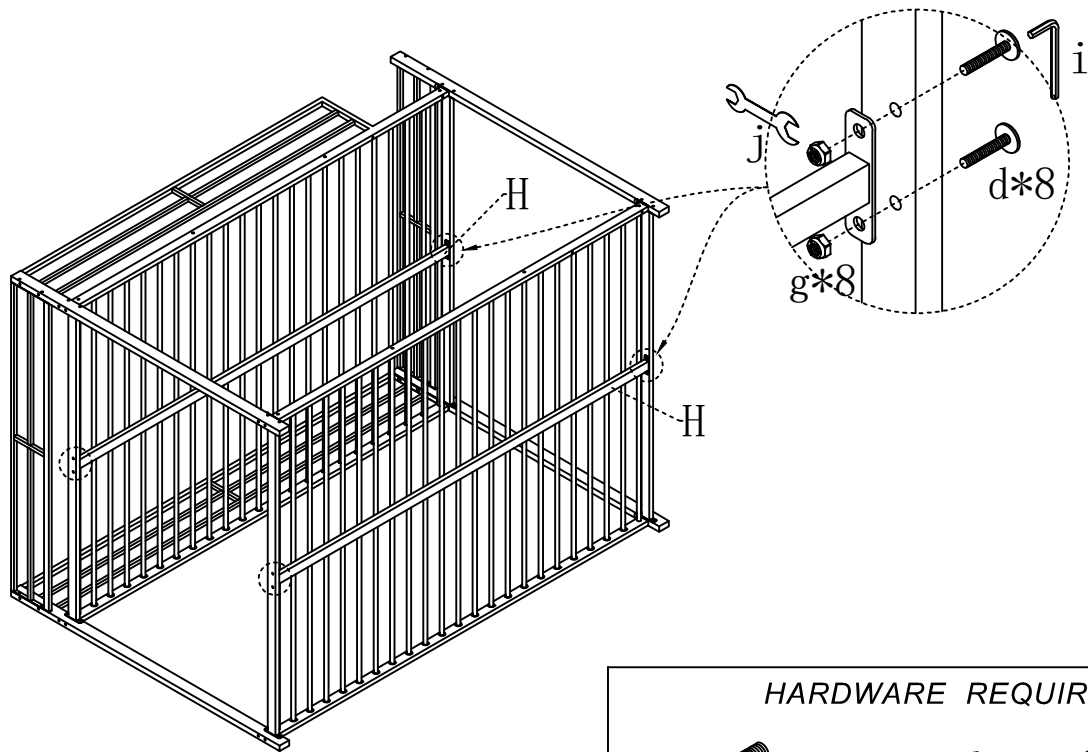


i*1



j*1

5



HARDWARE REQUIRED



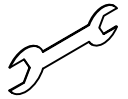
d*8



g*8

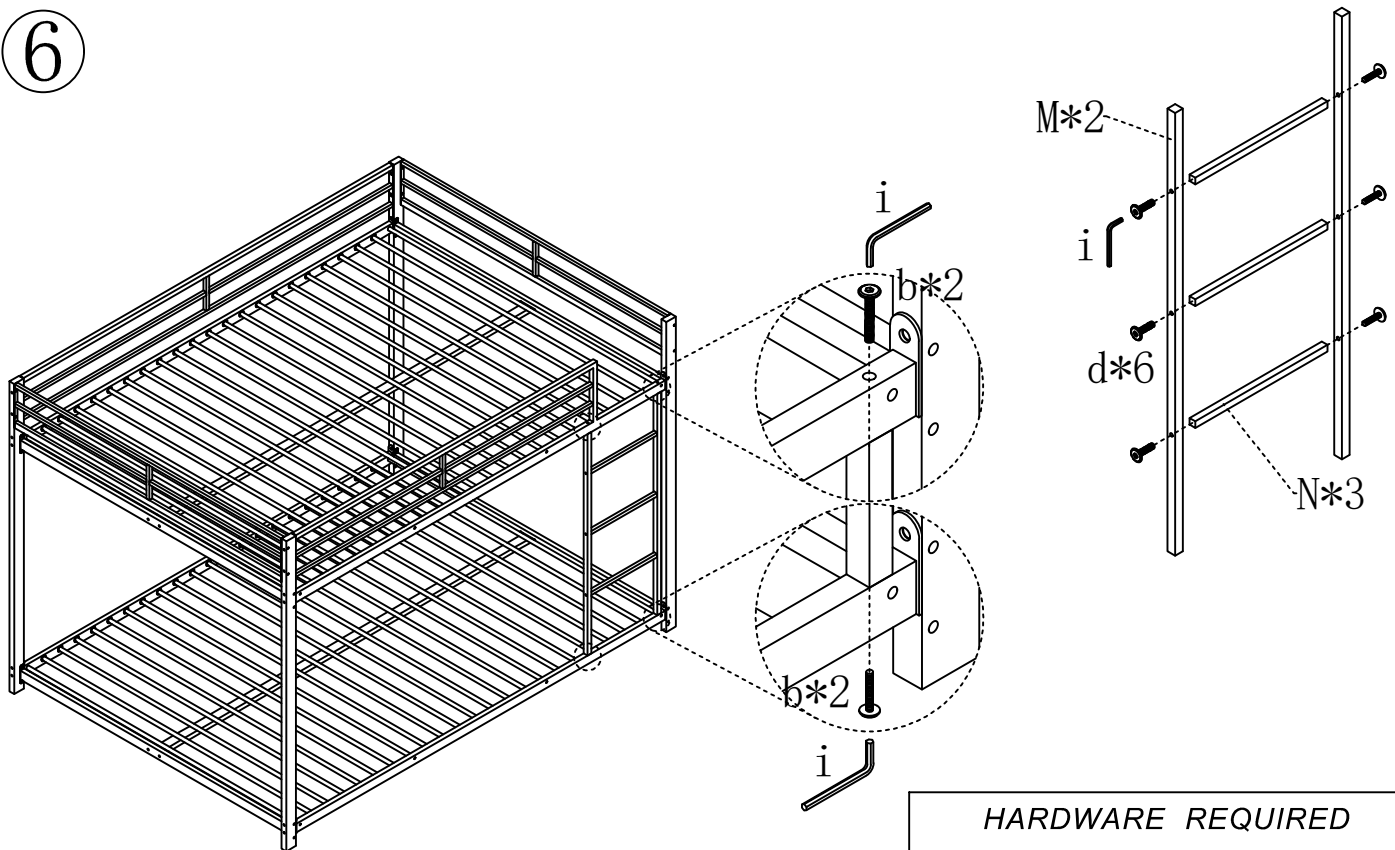


i*1



j*1

6



HARDWARE REQUIRED



b*4



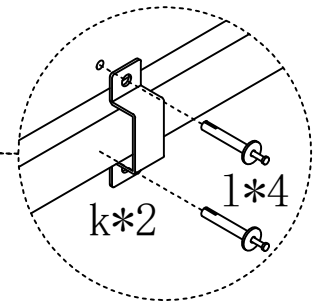
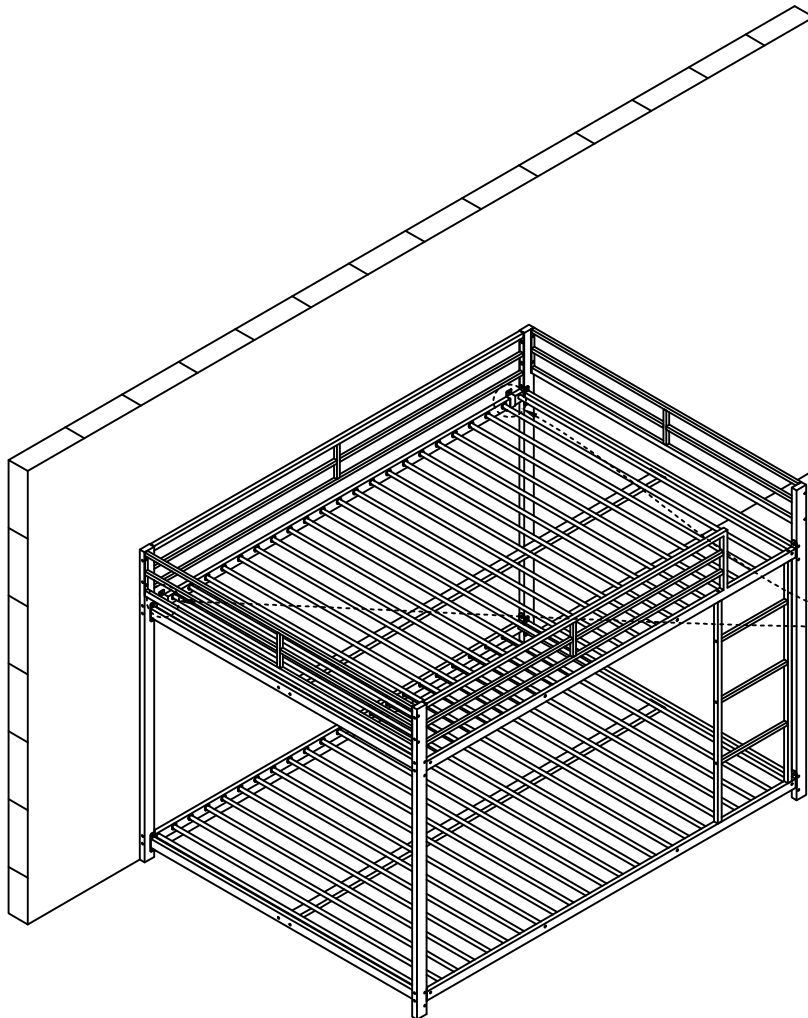
d*6



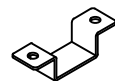
i*1

7

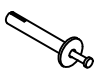
8



HARDWARE REQUIRED



k*2



l*4