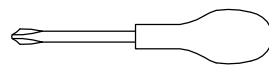
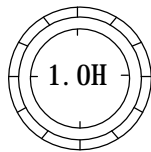
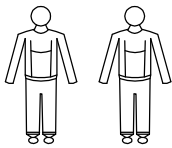
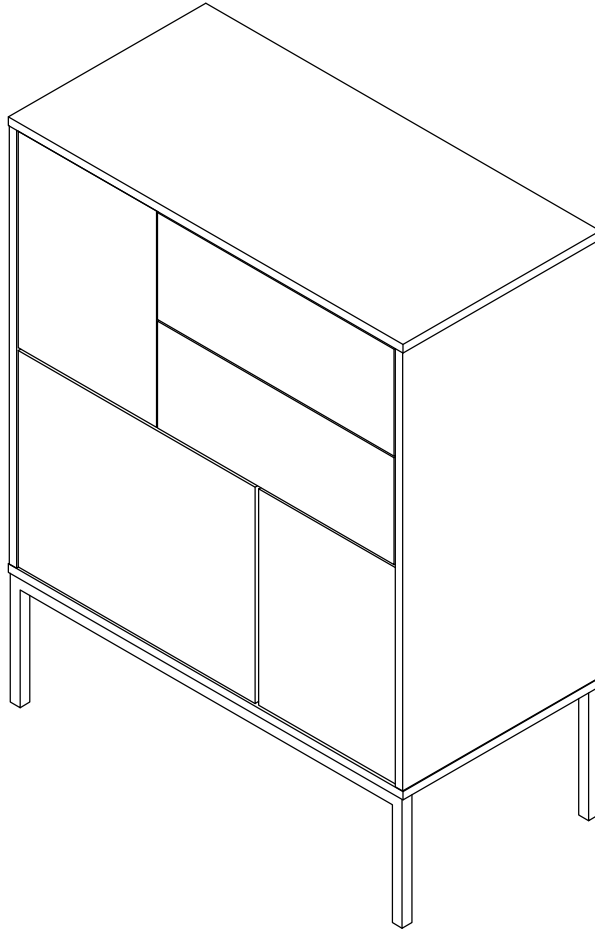
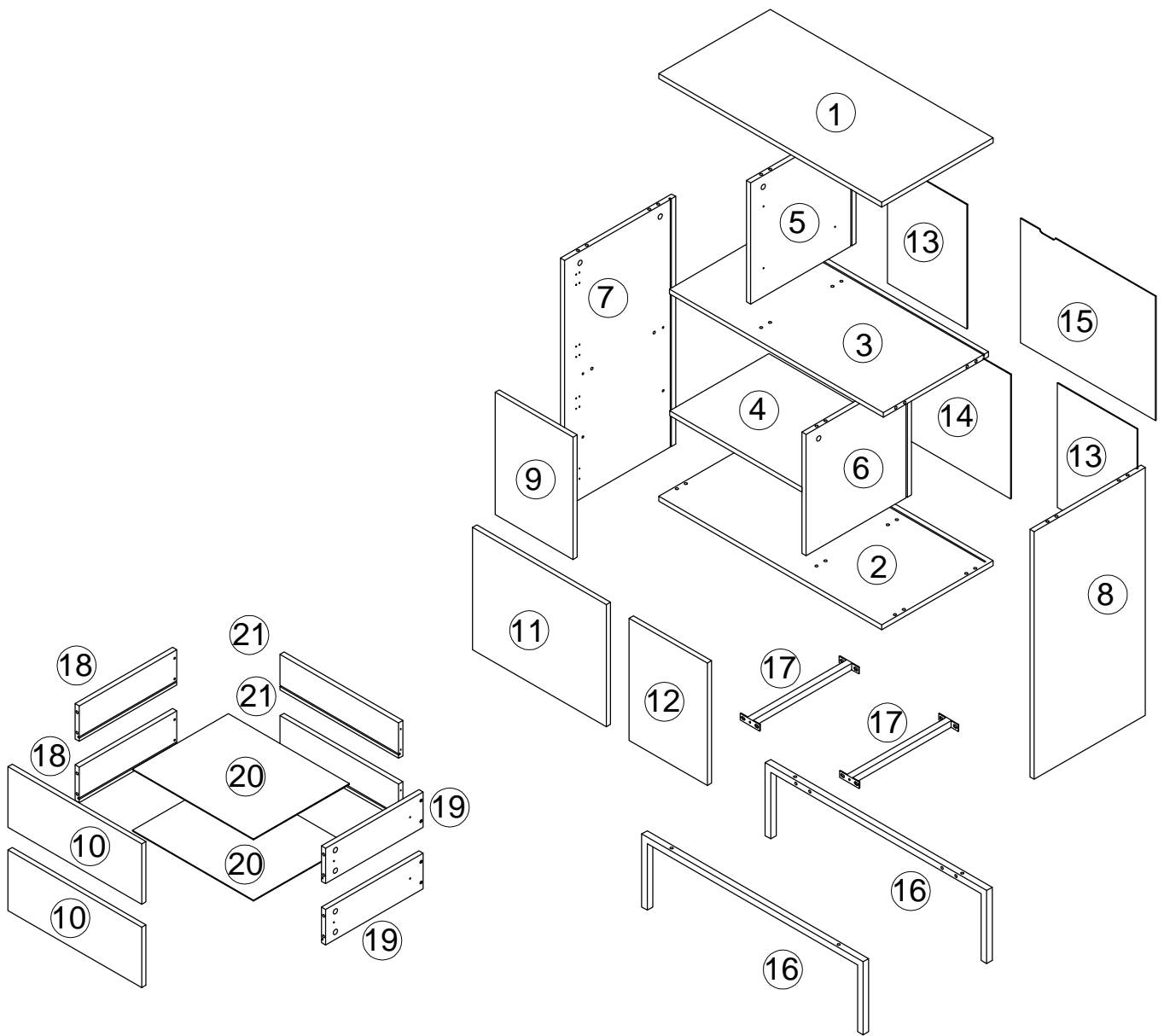








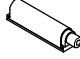

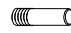
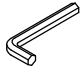


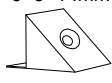





# Seaford

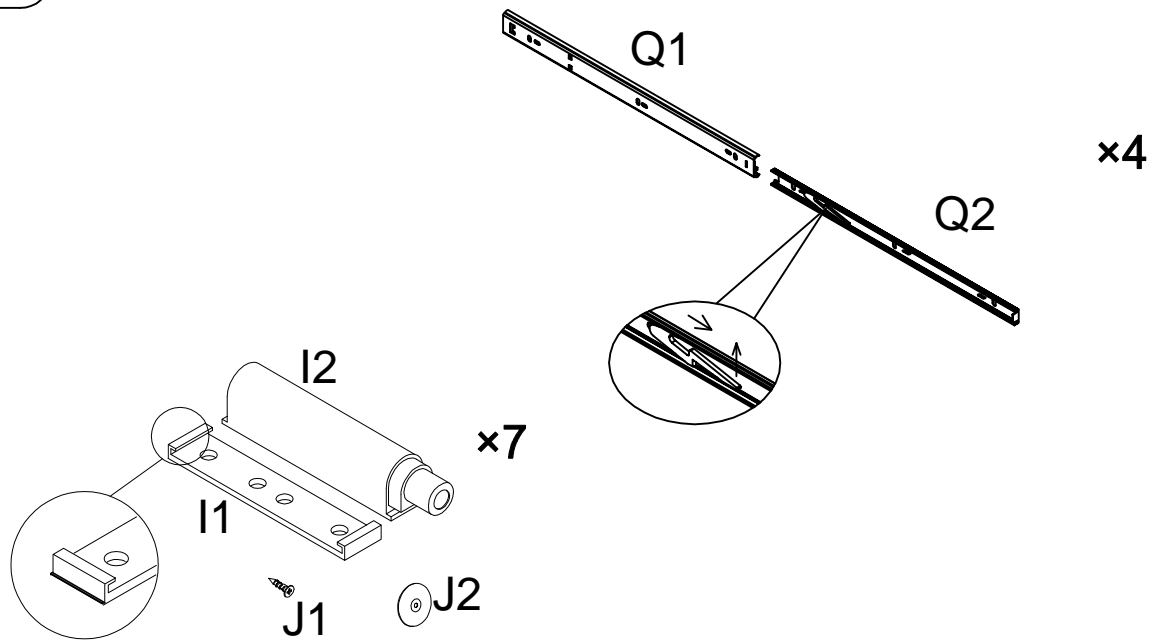
---

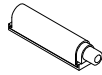
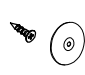





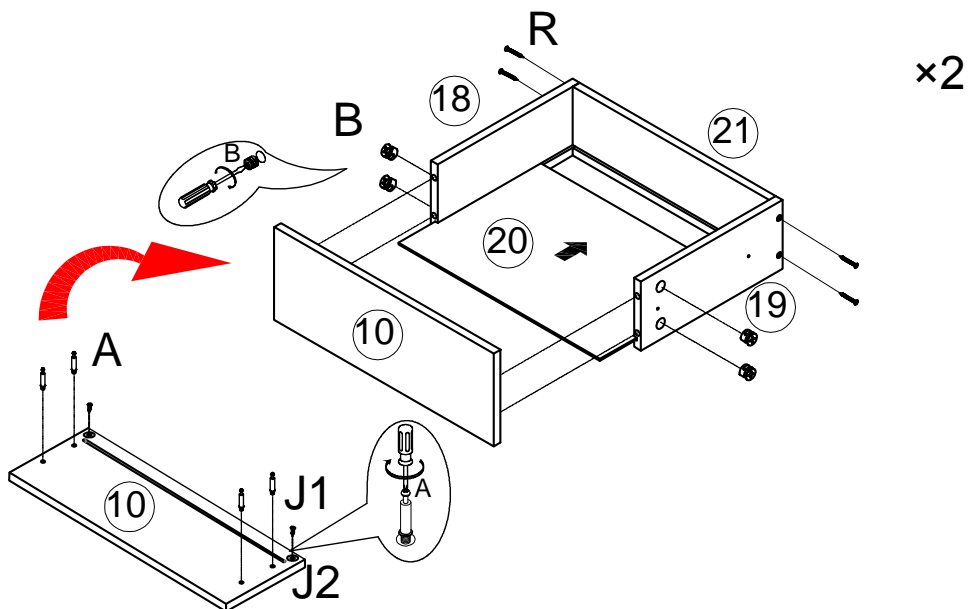
<b>A</b> M6.3×45mm  20PCS	<b>B</b> $\varnothing 15 \times 12 \text{mm}$  20PCS	<b>C</b> $\varnothing 8 \times 30 \text{mm}$  20PCS	<b>D</b> M7×48mm  8PCS	<b>E</b> M6×30mm  4PCS	<b>F</b> FK17  6PCS
<b>G</b> M3.5×14mm  68PCS	<b>H</b> M6×15mm  8PCS	<b>I</b>  7PCS	<b>J</b>  7PCS	<b>K</b> $\varnothing 5 \times 20 \text{mm}$  4PCS	<b>L</b> M4  1PC
<b>M</b> $\varnothing 16$  3PCS	<b>N</b> L=150mm  1PC	<b>O</b> 9×9×14mm  6PCS	<b>P</b> M3.5×16mm  6PCS	<b>Q</b> L=350mm  4PCS	<b>R</b> M4×35mm  8PCS






1



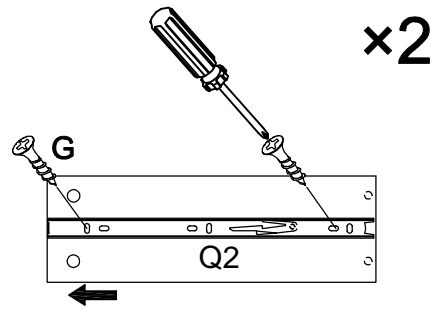
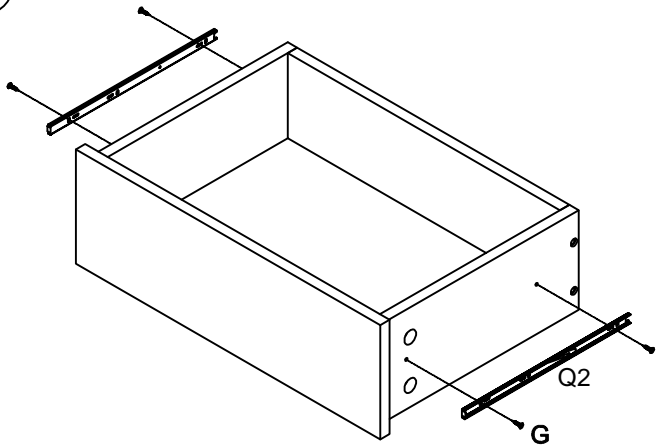
<p>I</p>  <p>7PCS</p>	<p>J</p>  <p>7PCS</p>	<p>Q</p> <p>L=350mm</p>  <p>4PCS</p>
--	--	---

2





<p>A</p> <p>M6.3×45mm</p>  <p>8PCS</p>	<p>B</p> <p>Ø15×12mm</p>  <p>8PCS</p>	<p>R</p> <p>M4×35mm</p>  <p>8PCS</p>	<p>J1</p>  <p>4PCS</p>	<p>J2</p>  <p>4PCS</p>
---	--	---	---	---

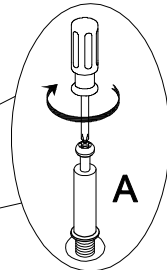
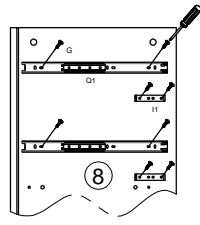
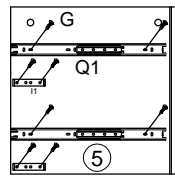
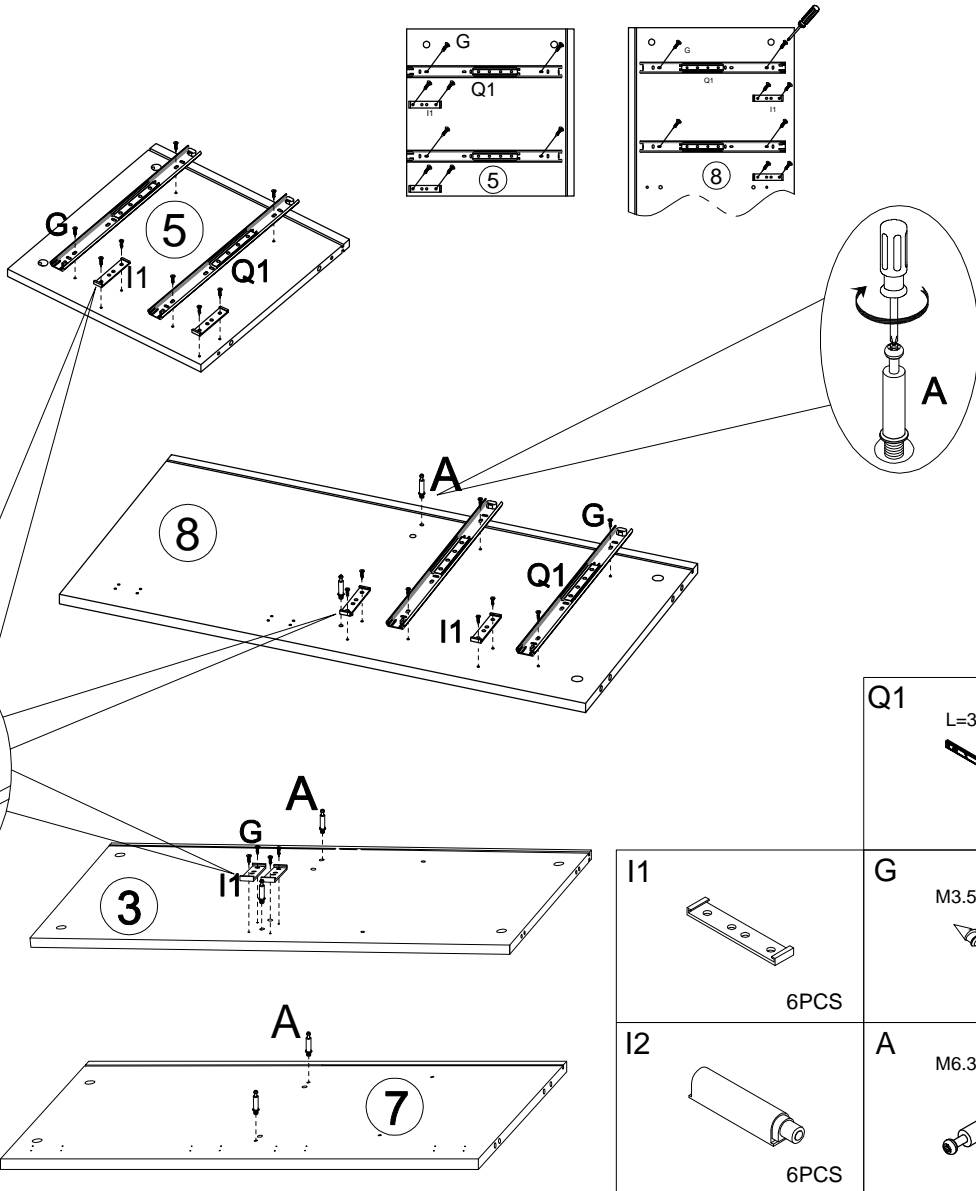
3


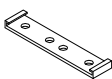

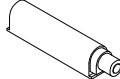
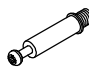


×2

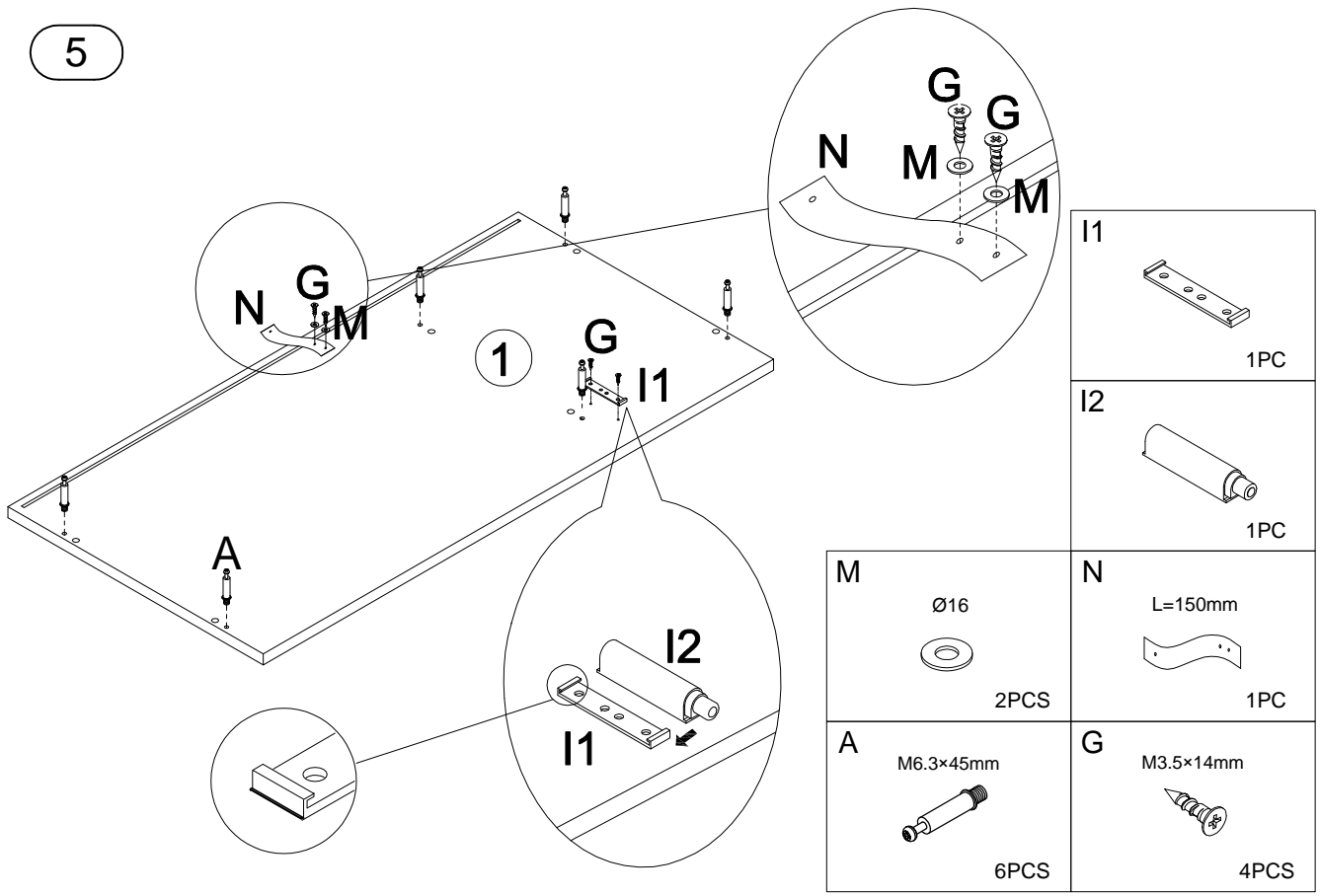
<p><b>G</b></p> <p>M3.5×14mm</p>  <p>8PCS</p>	<p><b>Q2</b></p> <p>L=350mm</p>  <p>4PCS</p>
--	---

4

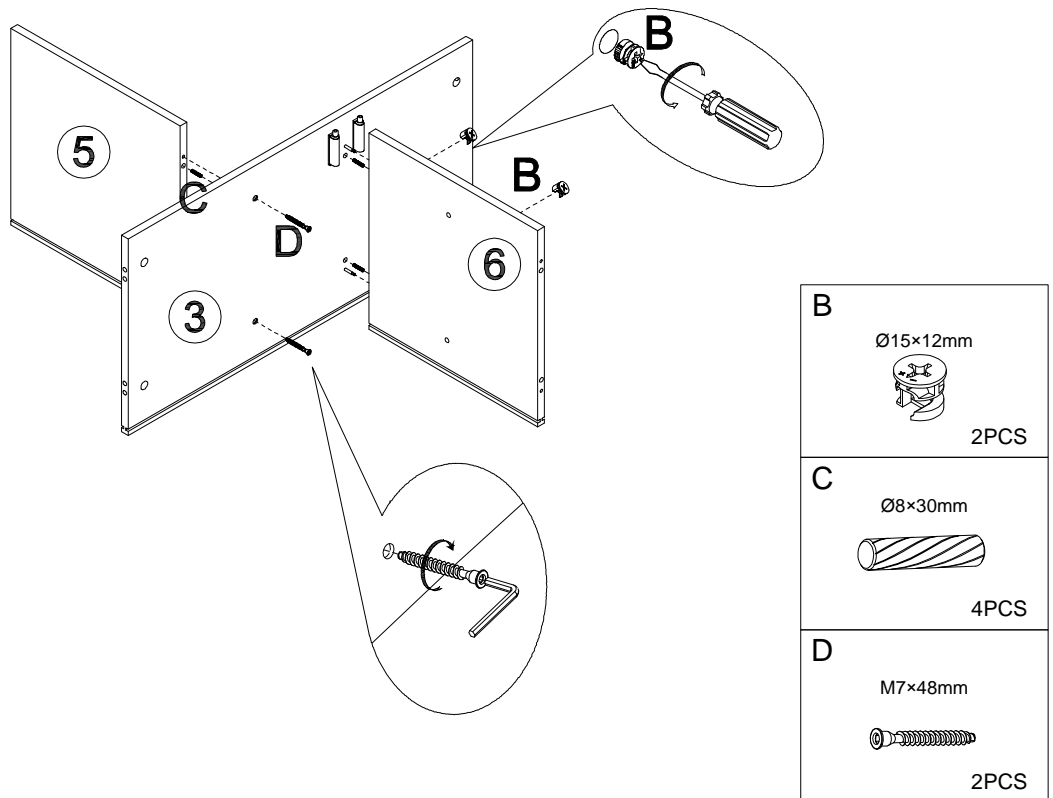


<p><b>Q1</b></p> <p>L=350mm</p>  <p>4PCS</p>	
<p><b>I1</b></p>  <p>6PCS</p>	<p><b>G</b></p> <p>M3.5×14mm</p>  <p>20PCS</p>
<p><b>I2</b></p>  <p>6PCS</p>	<p><b>A</b></p> <p>M6.3×45mm</p>  <p>6PCS</p>

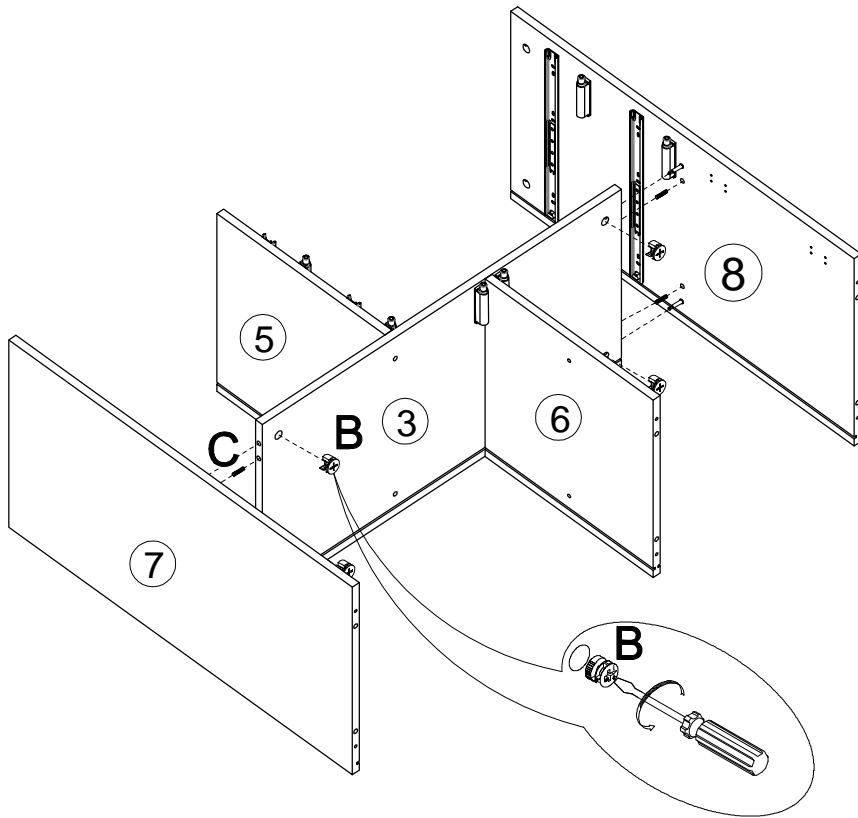
5





6

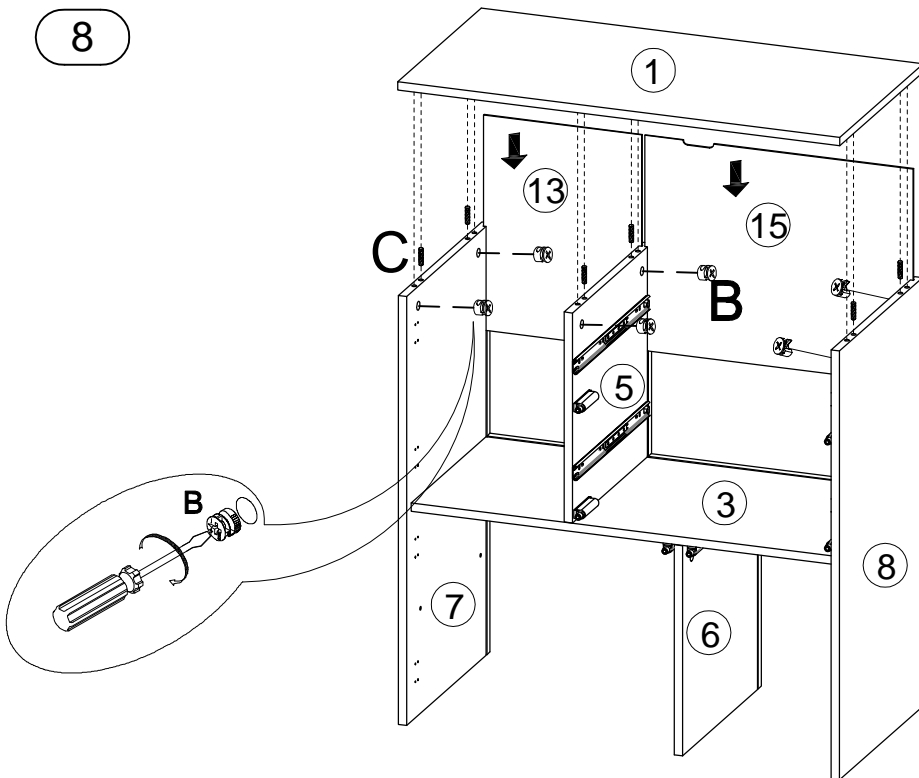




7



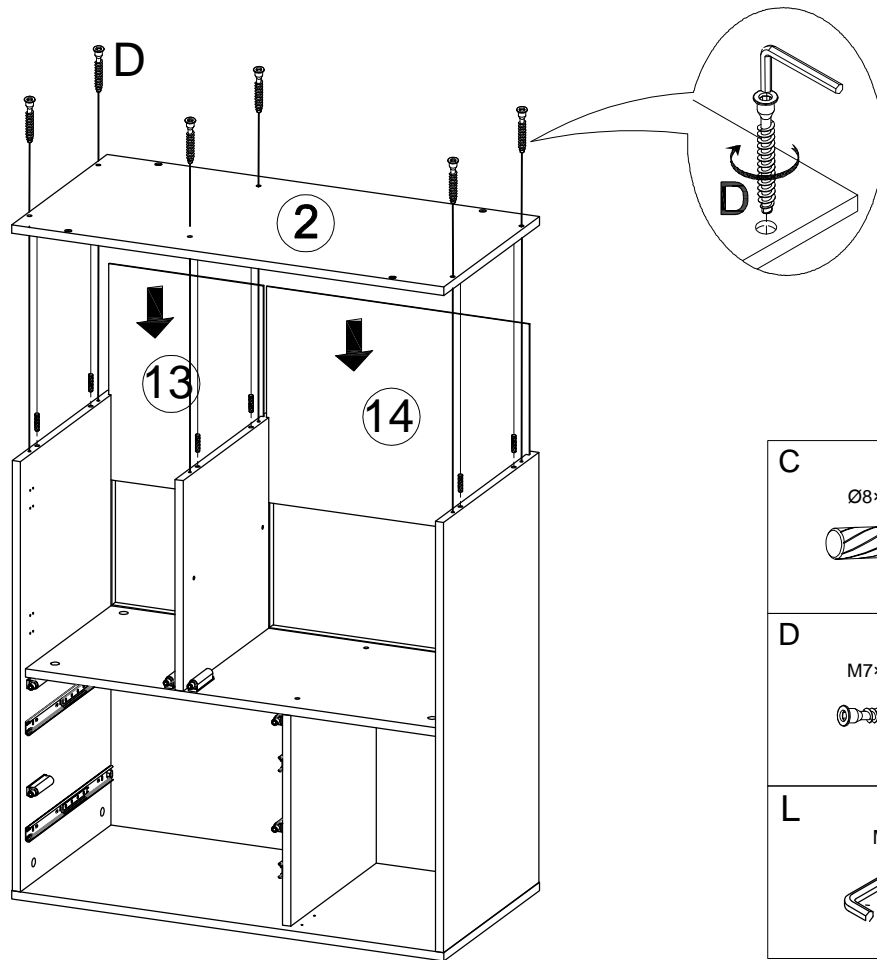
<b>B</b>	Ø15×12mm		4PCS
<b>C</b>	Ø8×30mm		4PCS

8

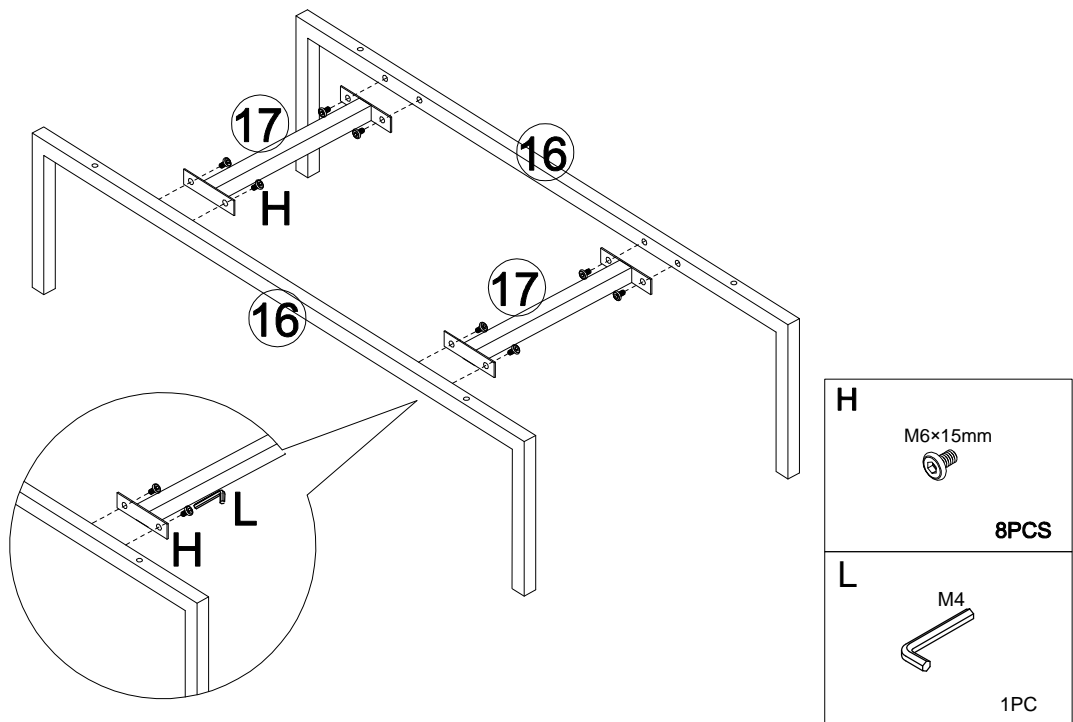


<b>B</b>	Ø15×12mm		6PCS
<b>C</b>	Ø8×30mm		6PCS

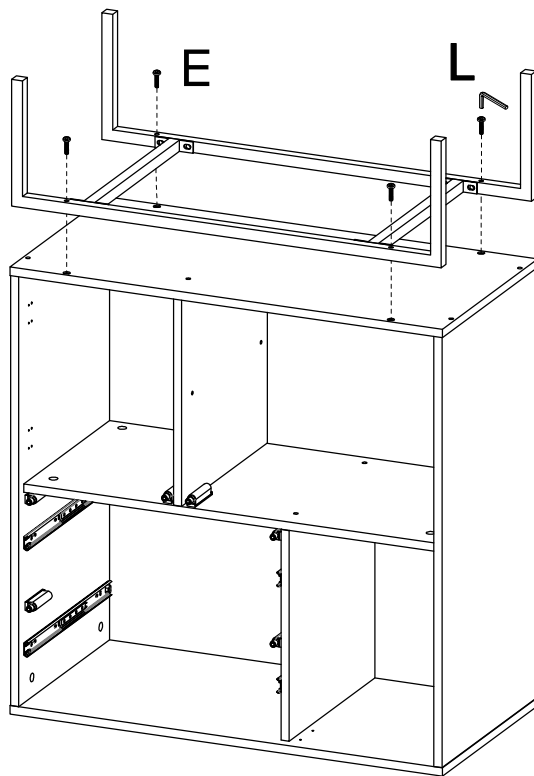
9

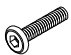
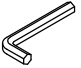


10

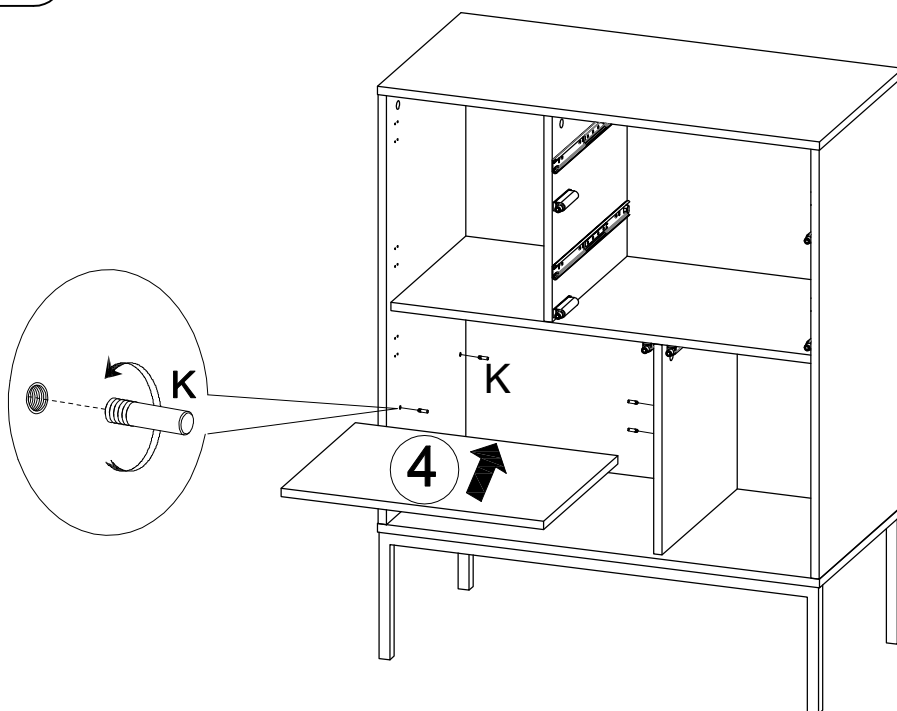


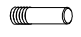
11



<b>E</b>	M6×30mm
	4PCS
<b>L</b>	M4
	1PC

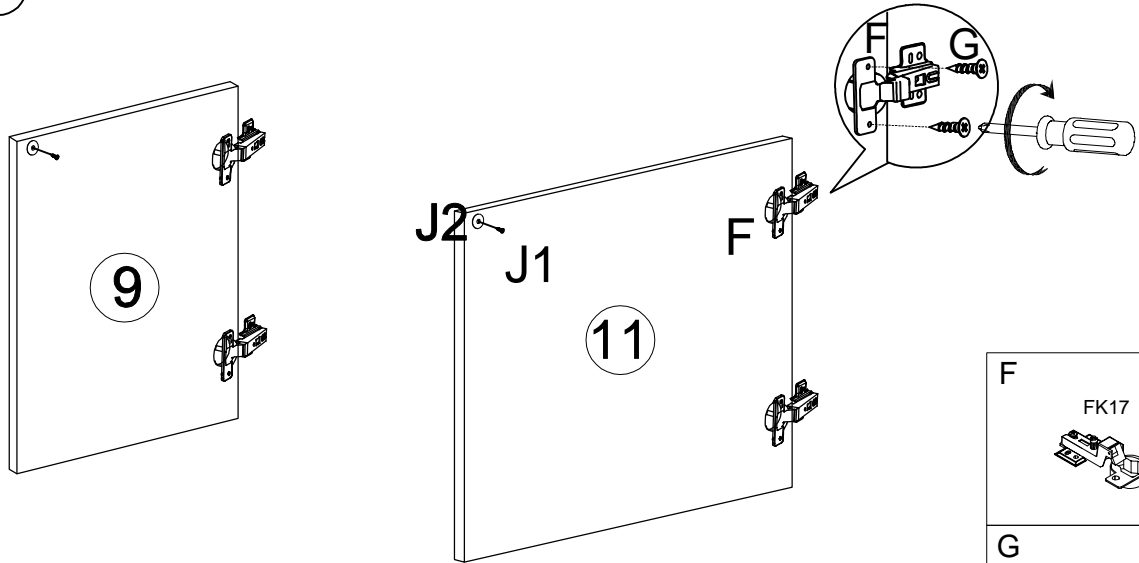
12



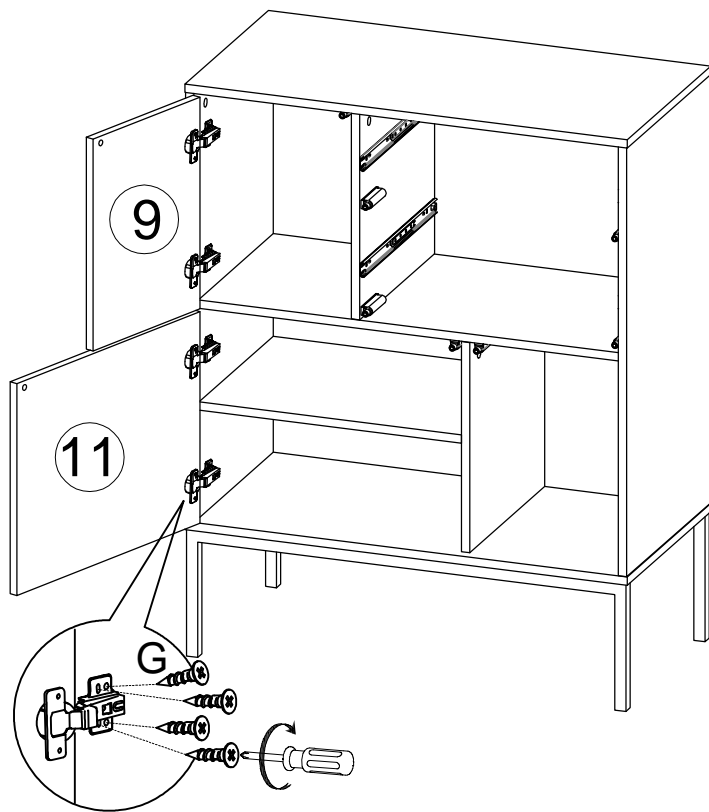
<b>K</b>	Ø5×20mm
	4PCS



13

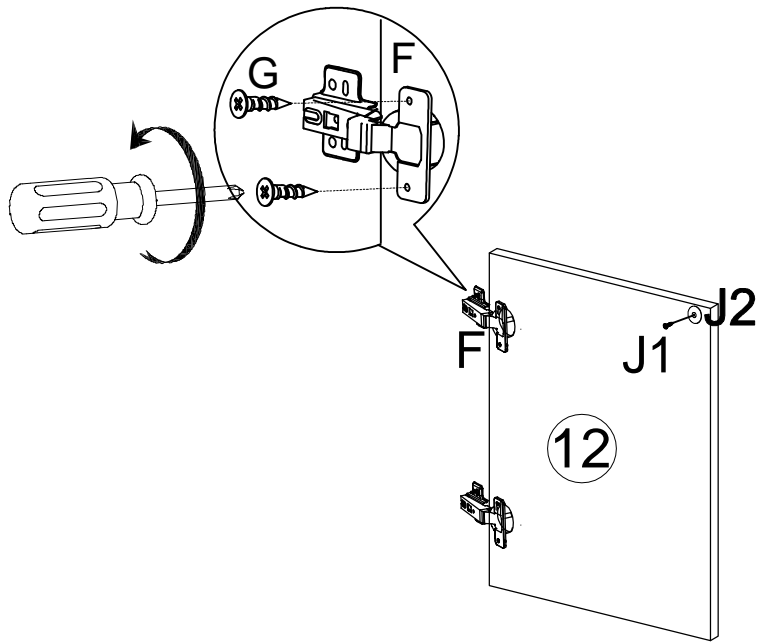






14



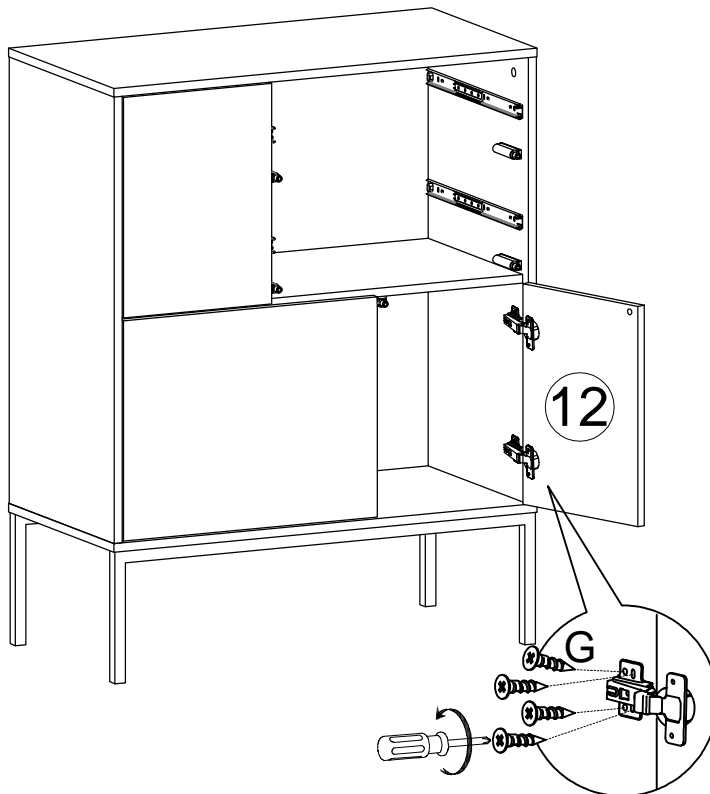
G	M3.5×14mm	16PCS
---	-----------	-------


15



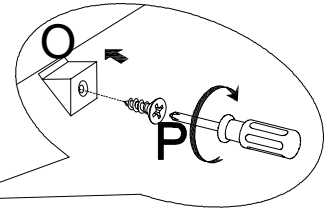
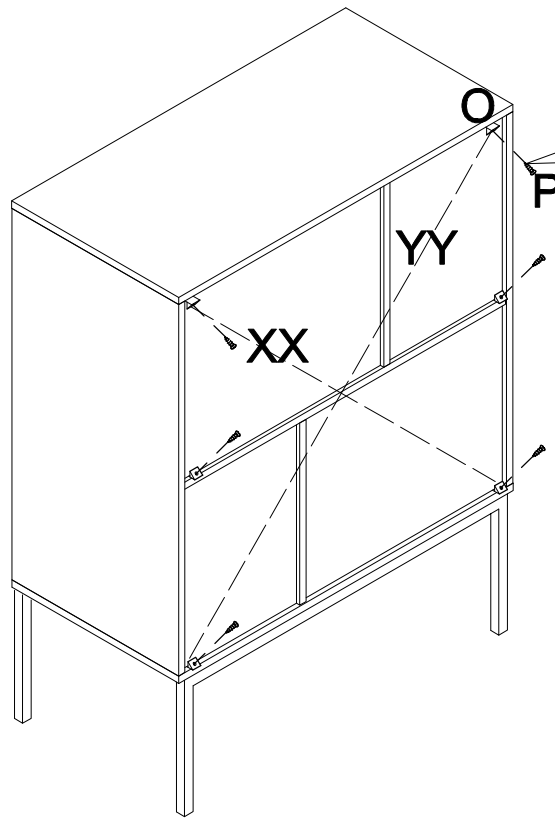
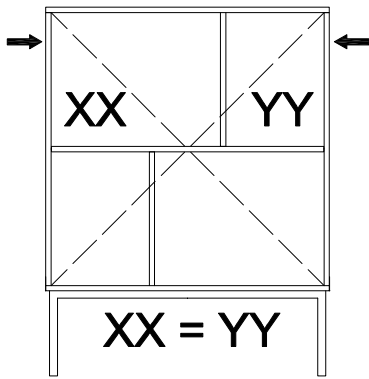
F	FK17  2PCS
G	M3.5×14mm  4PCS
J1	 1PC
J2	 1PC

16



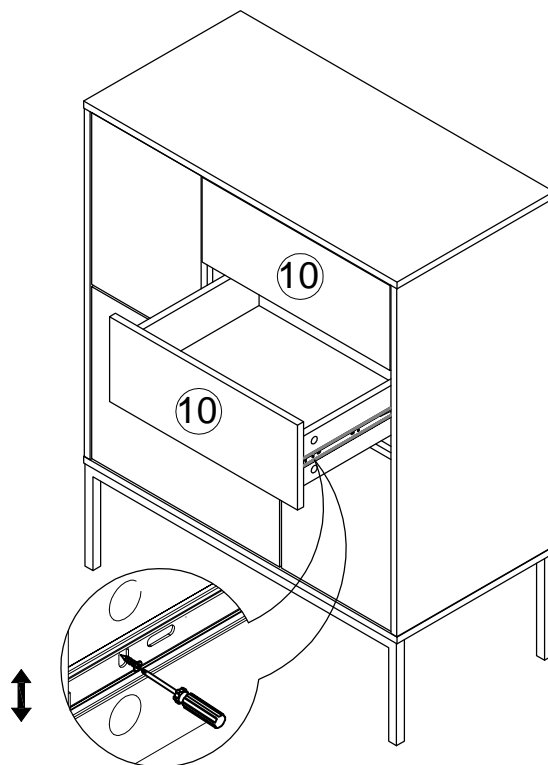
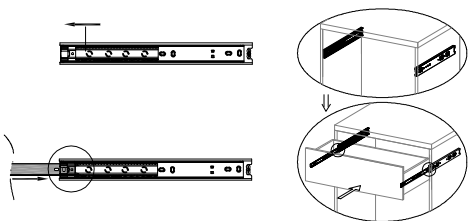
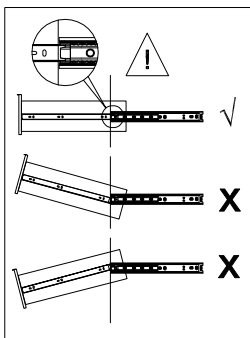
G	M3.5×14mm  8PCS
---	--

17

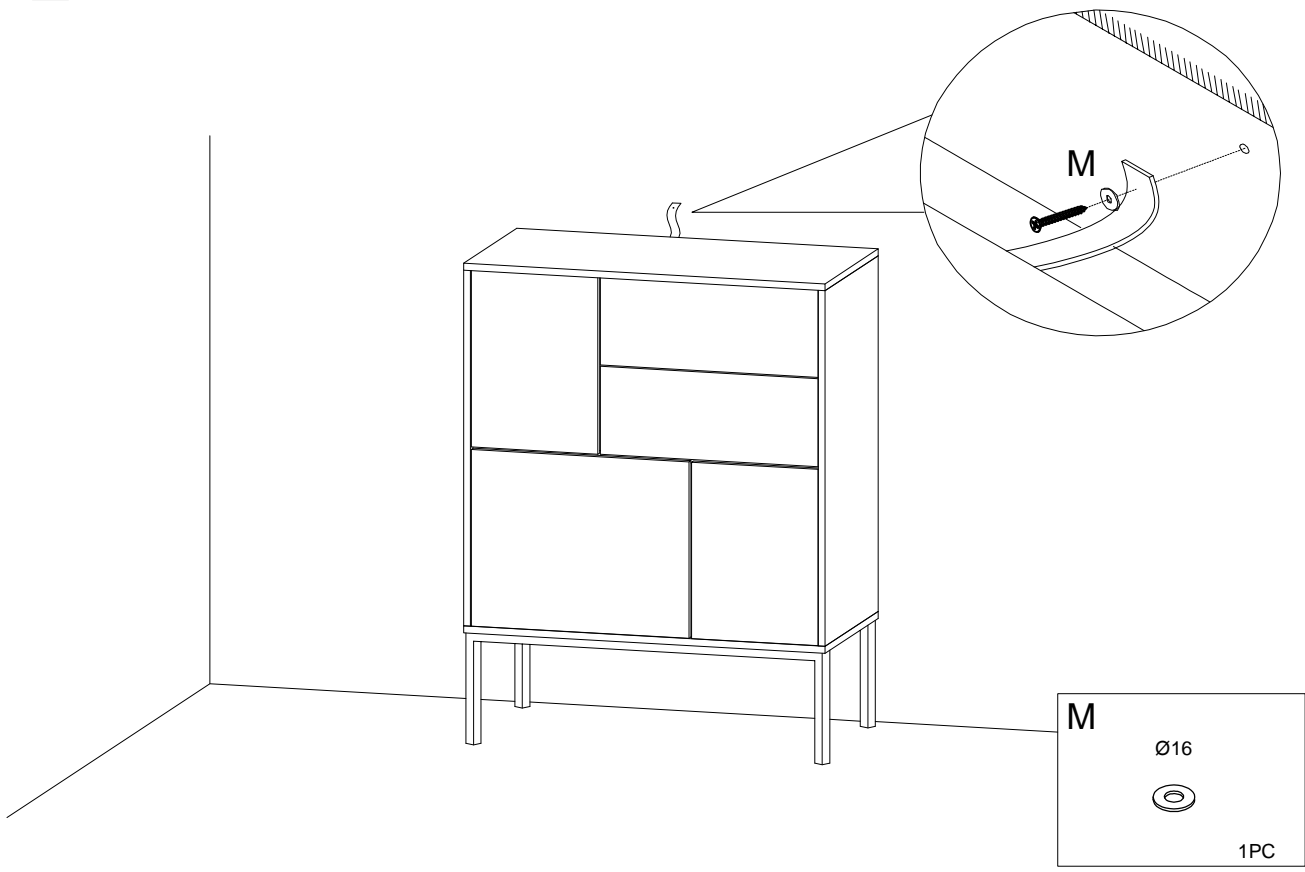


O	9×9×14mm
	6PCS
P	M3.5×16mm
	6PCS

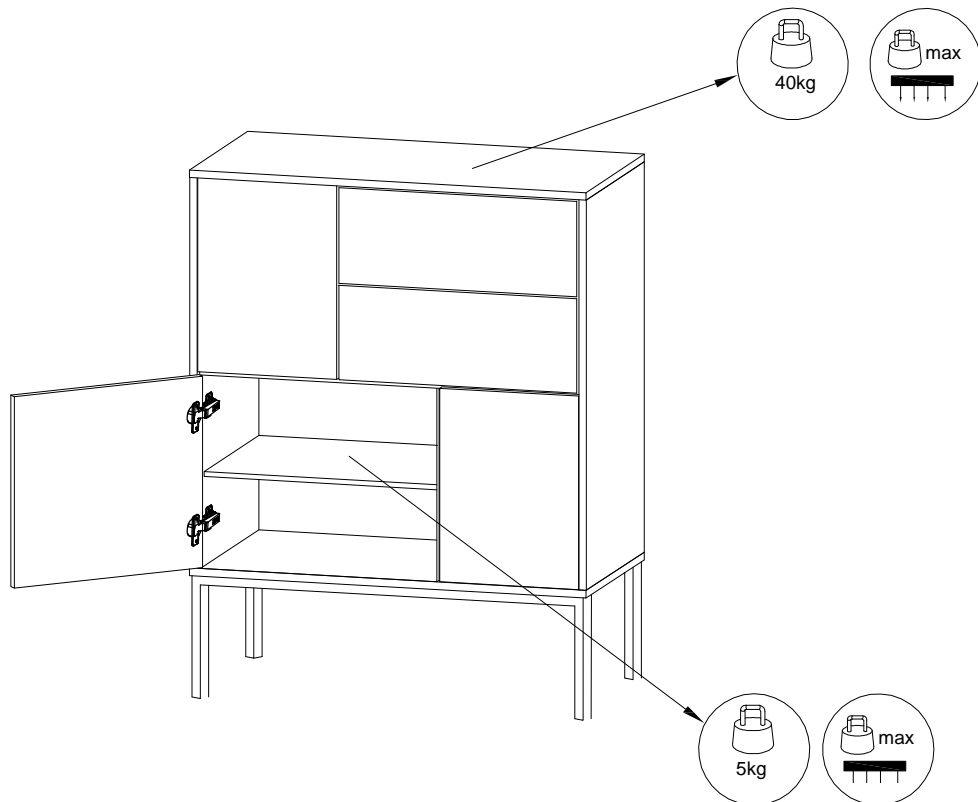
18

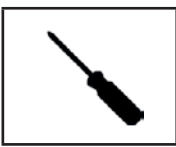


19



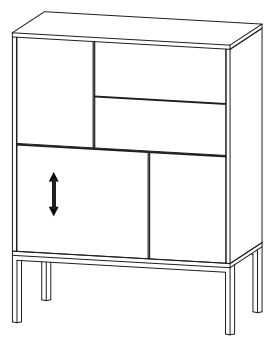
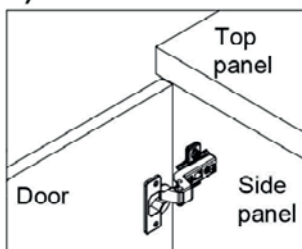
20





**TO ADJUST YOUR DOORS TO MAKE THE GAPS MORE EVEN (OPTIONAL).**

**STEP 14.1  
Open the door.**

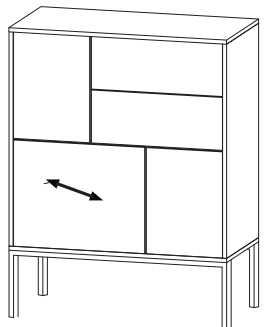


**STEP 14.2**  
Adjust the door panels upward or downward

1. Unscrew 2 screws in round holes  
Loosen 2 screws in oval holes a bit.

2. MOVE DOOR UPWARD OR DOWNWARD

3. Tighten 2 screws in oval holes.  
Screw in 2 screws in round holes

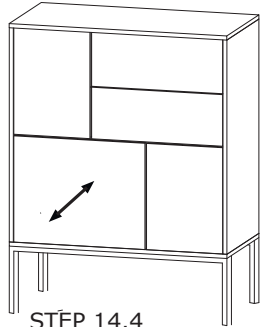


**STEP 14.3**  
Adjust the flush between door panel and side panel

1. MOVE DOOR OUTWARD by turning this screw counter-clockwise

2. KEEP DOOR IN RIGHT POSITION

3. MOVE DOOR OUTWARD by turning this screw clockwise



**STEP 14.4**  
Adjust the gap between door panel and side panel

1. Loosen this screw a bit.

2. MOVE DOOR BACK OR FORTH

3. Re-tighten this screw.

