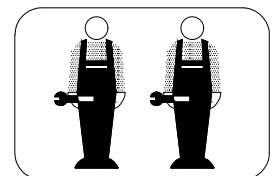
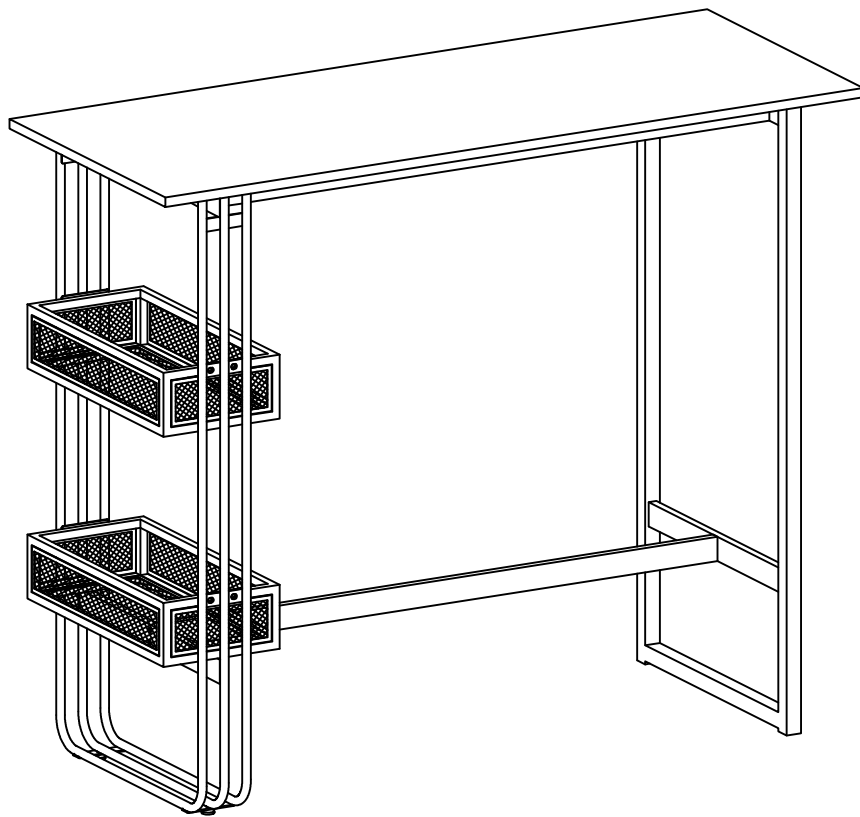
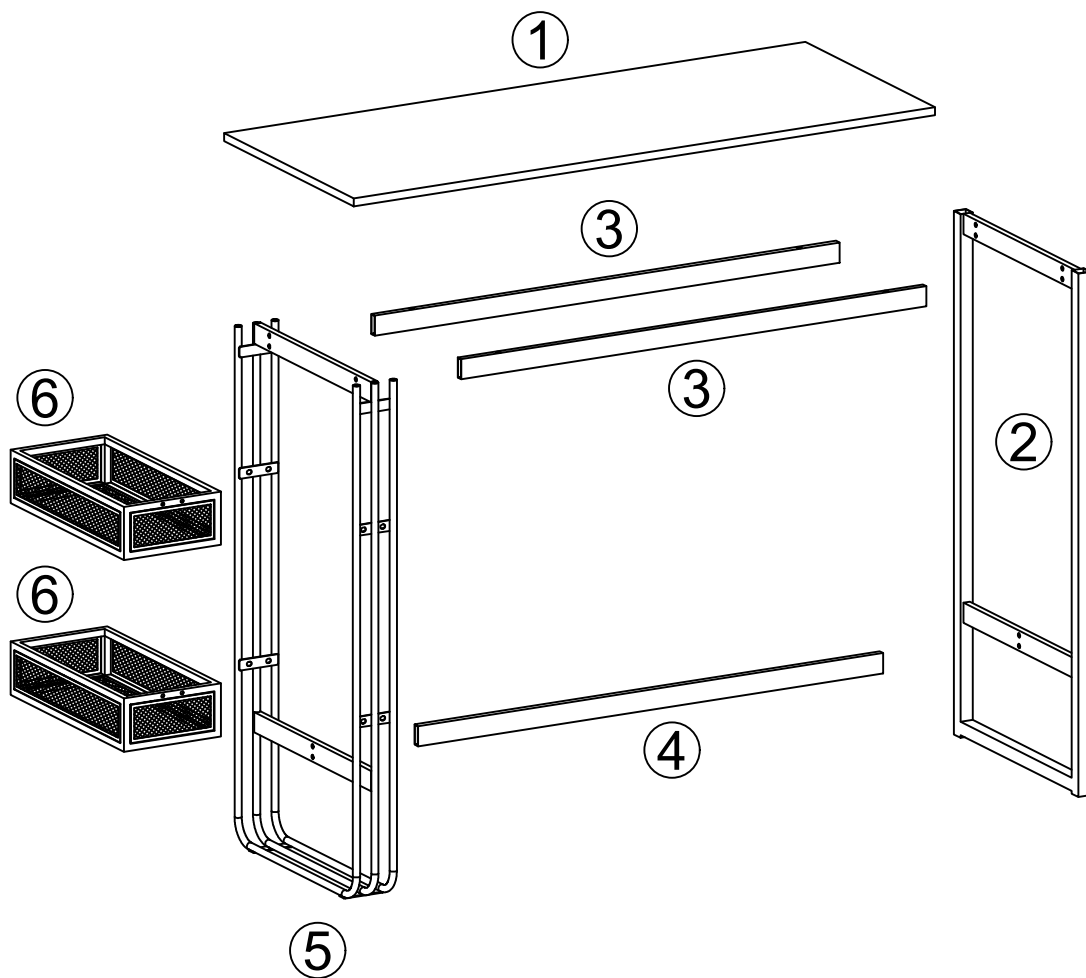







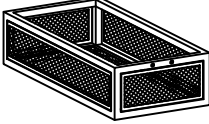
# ASSEMBLY INSTRUCTIONS

WF311483AA0


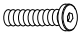
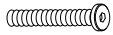






## Part List

			
①×1pc	②×1pc	③×2pcs	④×1pc
			
⑤×1pc	⑥×2pcs		

## Hardware List

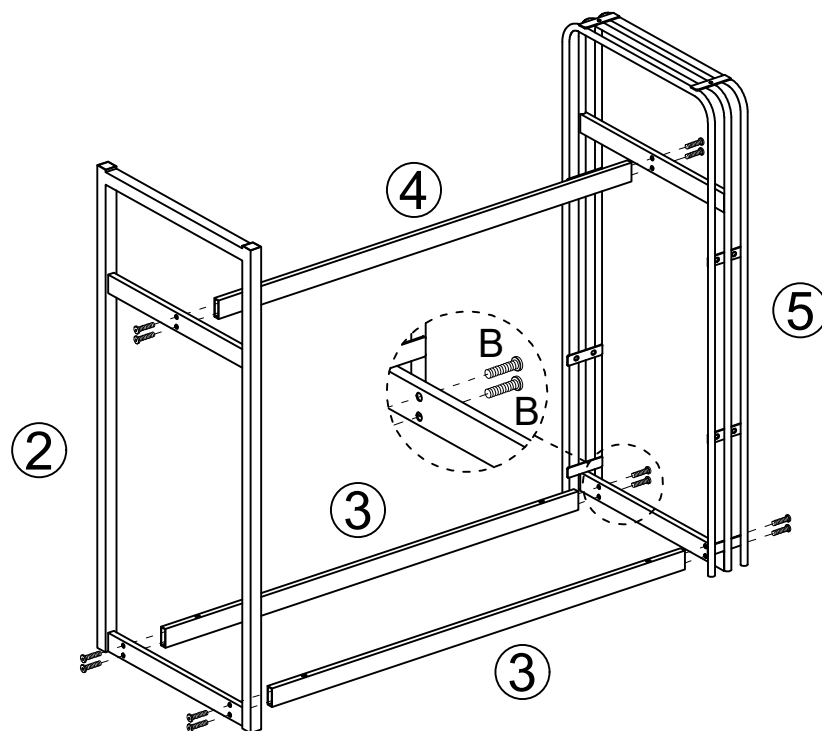
 M6×12mm	 M6×30mm	 M6×48mm		
Ⓐ×8pcs	Ⓑ×12pcs	Ⓒ×4pcs	Ⓓ×2pcs	Ⓔ×1pc

# Step 1

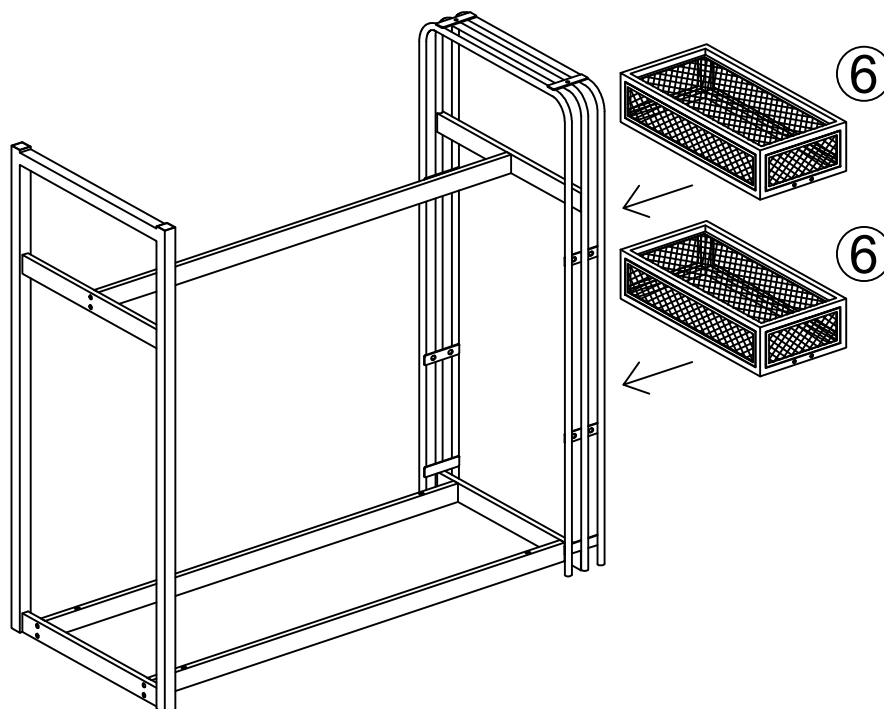


M6×30mm

Ⓑ×12pcs



# Step 2

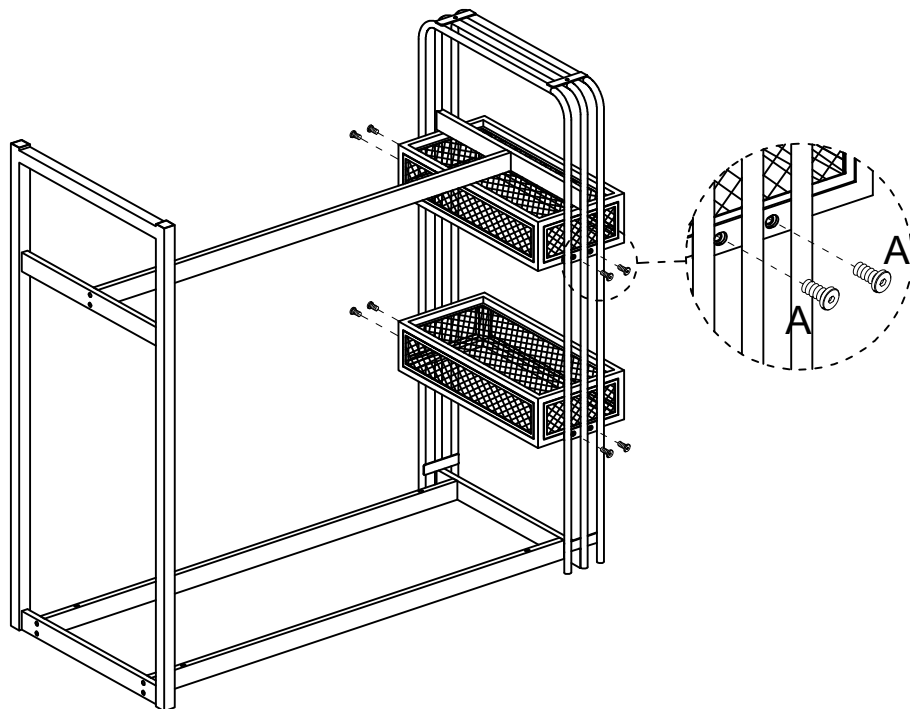


# Step 3



M6×12mm

(A) ×8pcs



# Step 4

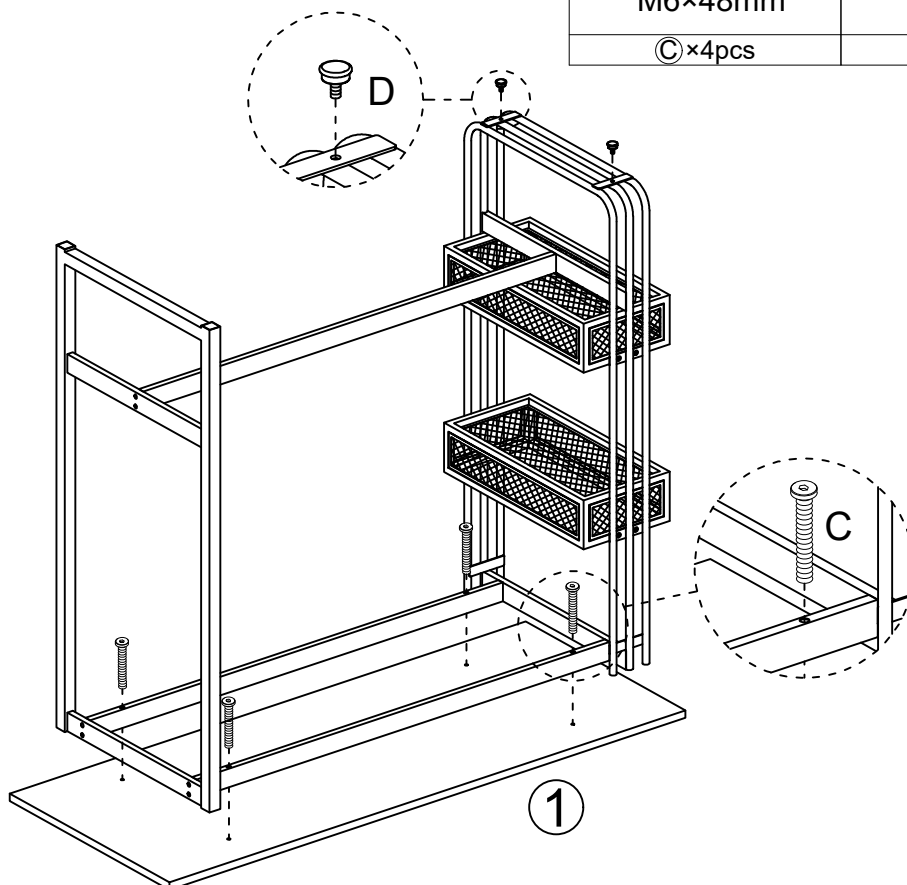


M6×48mm

(C) ×4pcs



(D) ×2pcs



# Step 5

