

## **Europe, Middle East**

ENGLISH  
FRANÇAIS  
DEUTSCH  
NEDERLANDS  
ITALIANO  
ESPAÑOL  
PORTUGUÊS  
РУССКИЙ  
ČESTINA  
TÜRKÇE  
POLSKI  
SVENSKA  
SUOMI  
SLOVENCINA  
MAGYAR NYELV  
עברית  
العربية

## **North America/**

### **Norteamérica**

ENGLISH  
FRANÇAIS  
ESPAÑOL

## **Latin America/**

### **América Latina**

ENGLISH  
ESPAÑOL  
PORTUGUÊS

## **Asia Pacific**

日本語  
简体中文  
繁體中文  
한국어  
ENGLISH

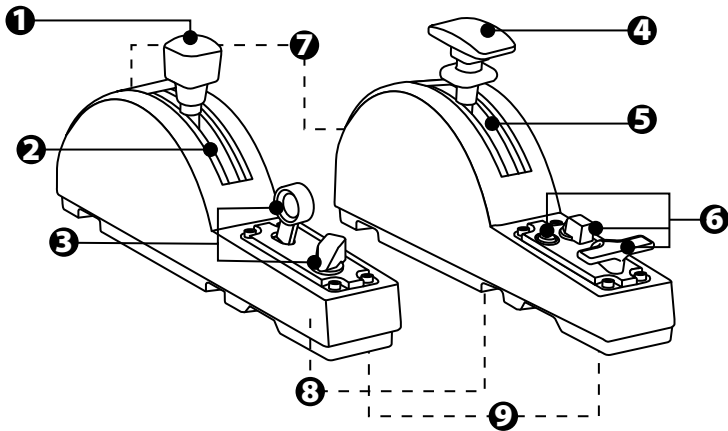
# **THRUSTMASTER®**

**TCA** QUADRANT ADD-ON  
AIRBUS EDITION

# TCA QUADRANT ADD-ON AIRBUS EDITION

User manual

## TECHNICAL FEATURES



EN

FR

DE

NL

IT

ES

PT

RU

CS

TR

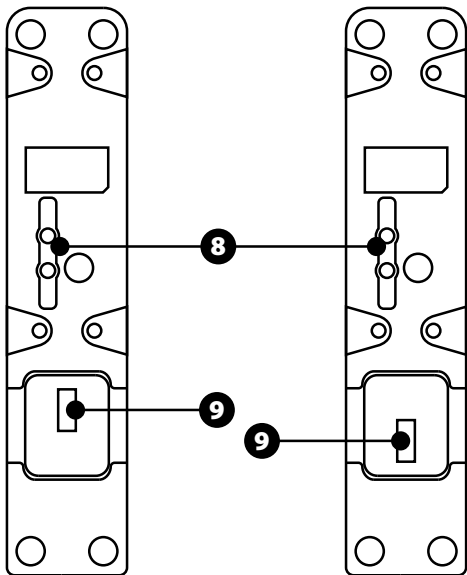
PL

日本語

繁體中文

한국어

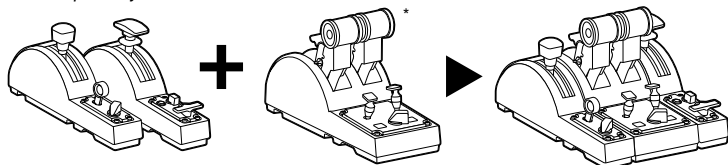
العربية



1. Speed brake (air brake) axis
2. 4 detents on the axis + 5 virtual buttons
3. 6 action buttons
4. Flaps axis
5. 4 detents on the axis
6. 4 action buttons
7. Friction adjustment screw on each module
8. Mechanism to disable/enable the detents on each axis
9. SATA connectors for TCA Quadrant Airbus Edition (sold separately)

## CONNECTING THE TCA QUADRANT ADD-ON AIRBUS EDITION MODULES TO THE TCA QUADRANT AIRBUS EDITION\*

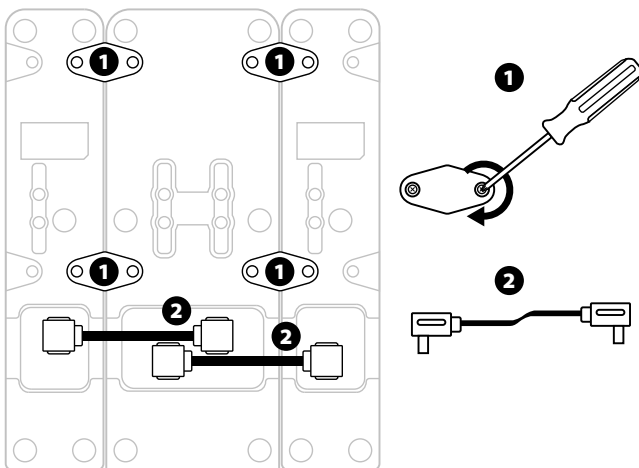
\*Sold separately

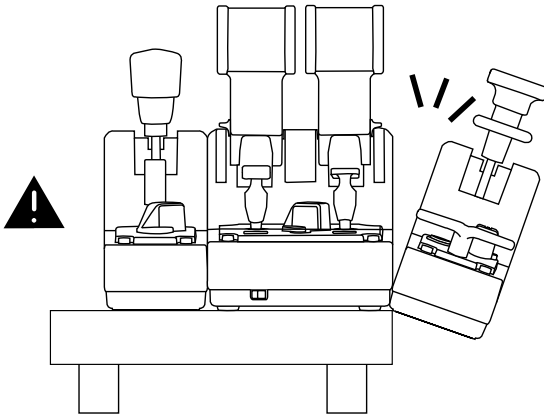
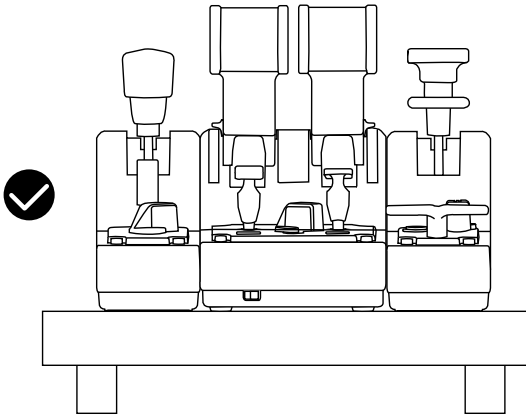


In order to use the TCA Quadrant Add-On Airbus Edition modules, you must own a TCA Quadrant Airbus Edition (sold separately). The TCA Quadrant Add-On Airbus Edition modules are an extension of the TCA Quadrant Airbus Edition throttle quadrant, and only work when connected to both sides of the TCA Quadrant Airbus Edition.

This modularity adds new axes and action buttons, and lets you extend the kinematics (takeoff, in-flight and landing) of the TCA Quadrant Airbus Edition.

1. Turn all of the devices upside down and, using a screwdriver with the corresponding head shape (not included), screw on the four attachment pieces included with the TCA Quadrant Airbus Edition and the TCA Quadrant Add-On Airbus Edition modules, to attach everything together.
2. Connect the speed brake module to the left of the TCA Quadrant Airbus Edition and the flaps module to the right, using the SATA cables included with the TCA Quadrant Add-On Airbus Edition.





- To avoid damaging the products, use a screwdriver with the corresponding head shape (not included) to tighten/untighten the screws.
- Only use the official cables provided by Thrustmaster: this will allow you to update the firmware for the TCA Quadrant Airbus Edition when necessary.
- Never position the TCA Quadrant Airbus Edition with either of the TCA Quadrant Add-On Airbus Edition modules hanging near or off the edge of a table or desk.

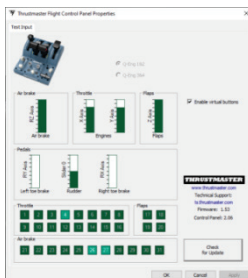
## INSTALLATION ON PC

1. Please visit <https://support.thrustmaster.com>. Click **Joysticks / TCA Quadrant Airbus Edition** (or **TCA Quadrant Add-On Airbus Edition**), and select **Drivers**. Download and install the PC driver and its customized interface for the Windows Control Panel.
2. Once the PC driver has been installed, connect the USB connector for the TCA Quadrant Airbus Edition to one of the USB ports on your PC.
3. To access the Control Panel, click **Start / Apps / Thrustmaster / Control Panel** (in Windows® 10 / 8.1 / 8).

The **Game Controllers** dialog box appears.

The accessory is listed onscreen with the name **TCA Q-Eng 1&2** (or **TCA Q-Eng 3&4**, depending on the position of the selector switch for the engines [5] on the TCA Quadrant Airbus Edition), along with **OK** status.

4. In the **Game Controllers** dialog box, click **Properties** to test and view all features, including those related to the TCA Quadrant Add-On Airbus Edition modules.



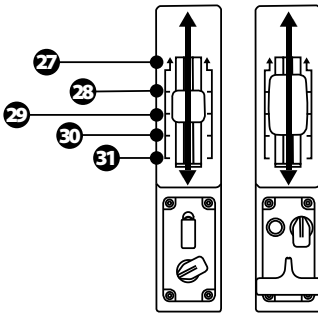
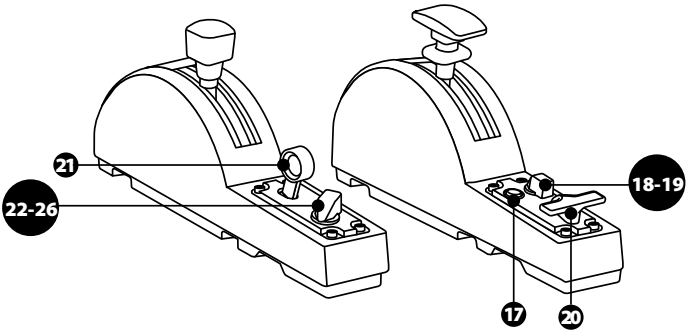
**Enable virtual buttons:** This feature lets you enable or disable the virtual buttons available on the axes for the throttle quadrant, and the speed brake module. Click **Apply** once you have selected the mode you want to use.

**You are now ready to play!**

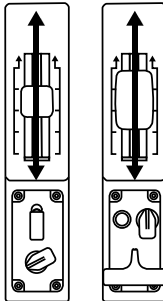


- In order to use the TCA Quadrant Add-On Airbus Edition modules, you must own a TCA Quadrant Airbus Edition (sold separately).
- Visit <https://support.thrustmaster.com> to download the package containing the drivers allowing you to update the product's firmware, providing you with more detailed control of the product's features.

# MAPPING OF THE TCA QUADRANT ADD-ON AIRBUS EDITION MODULES' 15 BUTTONS AND 2 AXES



0 up  
ZR  
65536 down



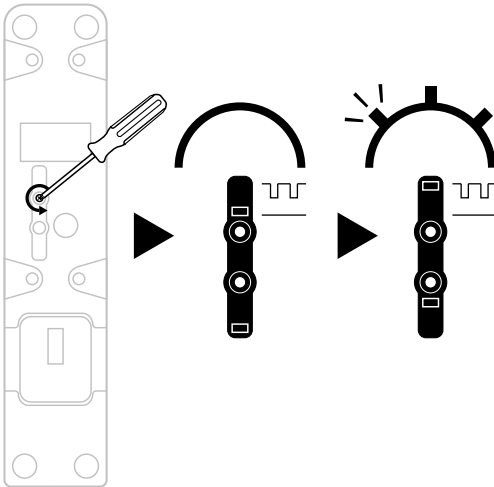
0 up  
Z  
65536 down

## MAKING CHANGES TO THE AXES ON THE TCA QUADRANT ADD-ON AIRBUS EDITION MODULES

The TCA Quadrant Add-On Airbus Edition modules feature mechanical selectors allowing you to disable the detents/notches on each axis. Doing so allows you to have smooth axes, while maintaining virtual buttons 27 through 31 on the speed brake module.

This option lets you change the piloting sensations according to the type of aircraft being used in your simulation (commercial aircraft or civil aircraft).

1. Turn the TCA Quadrant Add-On Airbus Edition modules upside down, and unscrew the two screws for each of the selectors using a screwdriver with the corresponding head shape (not included).
2. Switch the position of the selectors, using the indicators as a guide: this will let you choose either a smooth axis, or an axis with detents/notches, for each axis on the TCA Quadrant Add-On Airbus Edition modules.

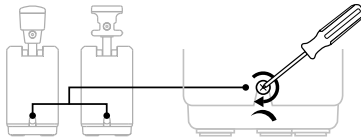
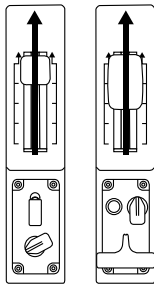




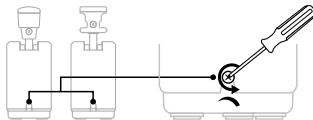
# ADJUSTING THE FRICTION

## IMPORTANT NOTES:

- The friction on the TCA Quadrant Add-On Airbus Edition modules is set to 50% by default.
  - In order to allow for precise adjustment according to your preferences, you can use a screwdriver with the corresponding head shape (not included) — or the crossbar included with the TCA Quadrant Airbus Edition — to turn the friction adjustment screws.
1. Push both TCA Quadrant Add-On Airbus Edition module levers forward to their maximum values, and then access the friction adjustment screw at the back of each module.
  2. To increase the friction, turn the friction adjustment screw clockwise.



3. To decrease the friction, turn the friction adjustment screw counterclockwise.

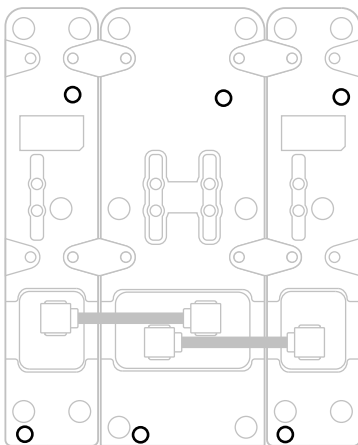


- To avoid damaging the friction system, be careful not to over-tighten the adjustment screws: stop turning the screws when you feel resistance.
- Never completely unscrew the adjustment screws, to avoid the screws falling inside the body of either TCA Quadrant Add-On Airbus Edition module.

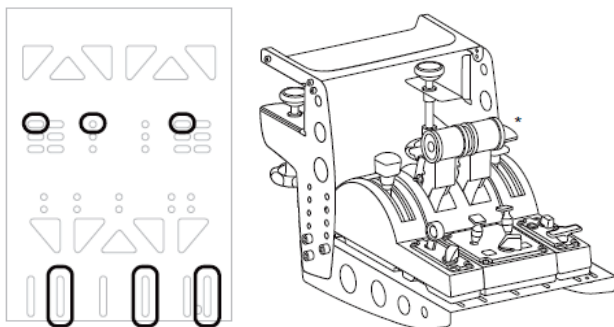
## ATTACHING THE TCA QUADRANT AIRBUS EDITION\* AND THE TCA QUADRANT ADD-ON AIRBUS EDITION MODULES TO THE TM FLYING CLAMP\*, A COCKPIT\* OR OTHER STATIONARY SURFACE

*\*Sold separately*

You can use the 6 perforations located on the underside of the TCA Quadrant Airbus Edition, when connected to the TCA Quadrant Add-On Airbus Edition modules, to attach all of the devices to a stationary surface, using M6 screws (not included).



Attachment diagram for the TM Flying Clamp\* (\*sold separately):



# T.A.R.G.E.T ADVANCED PROGRAMMING SOFTWARE

(Thrustmaster Advanced pROgramming Graphical EdiTOr)

Please visit <https://support.thrustmaster.com>. Click **Joysticks / TCA Quadrant Airbus Edition** (or **TCA Quadrant Add-On Airbus Edition**), then select **Software**. Download and install the T.A.R.G.E.T advanced programming software.

Main features of T.A.R.G.E.T:

- Different possible configurations for the axes.
- Different possible programming levels: Basic, Advanced and Script.
- Use of the Drag and Drop principle.
- Ability to combine the TCA Quadrant Airbus Edition throttle quadrant with various Thrustmaster joysticks (HOTAS Cougar, HOTAS Warthog, T. 16000M, MFD Cougar Pack, all of which are also compatible with T.A.R.G.E.T), allowing them to be recognized as a single USB device.
- Access to advanced profiles created by the Thrustmaster community.



## TROUBLESHOOTING AND WARNING



Visit <https://support.thrustmaster.com> to download the package containing the drivers allowing you to update the product's firmware, providing you with more detailed control of the product's features.

- **My TCA Quadrant Add-On Airbus Edition modules aren't working properly, or seem to be improperly calibrated, when connected to the TCA Quadrant Airbus Edition.**
  - Visit <https://support.thrustmaster.com> to check whether a more recent firmware version is available: if so, follow the instructions to download and install it.
  - Power off your PC, and disconnect the USB connector for the TCA Quadrant Airbus Edition throttle quadrant. Make sure that both SATA cables are properly connected to the devices.
  - Power off your PC, and disconnect the USB connector for the TCA Quadrant Airbus Edition throttle quadrant. Then reconnect the USB connector, power on your PC again, and restart your game.
  - When connecting the USB connector for the TCA Quadrant Airbus Edition throttle quadrant, always leave the rudder axis centered if you are using the TFRP rudder system (sold separately): never put your feet on the TFRP rudder system's pedals when doing so.
  
- **I can't configure my TCA Quadrant Add-On Airbus Edition modules with my TCA Quadrant Airbus Edition throttle quadrant.**
  - In your game's Options / Controller / Gamepad or Joystick menu, select the appropriate configuration or completely reconfigure the controller's options.
  - Visit <https://support.thrustmaster.com> to check whether a more recent firmware version is available: if so, follow the instructions to download and install it.
  - For more information, please refer to your game's user manual or online help.
  - You can also use the T.A.R.G.E.T (Thrustmaster Advanced pRogramming Graphical EdiTor) advanced programming software.
  
- **My TCA Quadrant Add-On Airbus Edition modules are too sensitive, or not sensitive enough.**
  - The axes for the TCA Quadrant Add-On Airbus Edition modules automatically calibrate themselves after a few movements, and after having reached the physical stops for the axes.
  - In your game's Options / Controller / Gamepad or Joystick menu, adjust the sensitivity and dead zones for your controller (if these options are available).
  - You can also use the T.A.R.G.E.T (Thrustmaster Advanced pRogramming Graphical EdiTor) advanced programming software.



These devices are intended for use with respect to gaming entertainment purposes only. It is strictly forbidden to use these devices for professional training activities.

## **CONSUMER WARRANTY INFORMATION**

Worldwide, Guillemot Corporation S.A., whose registered office is located at Place du Granier, B.P. 97143, 35571 Chantepie, France (hereinafter "Guillemot") warrants to the consumer that this Thrustmaster product shall be free from defects in materials and workmanship, for a warranty period which corresponds to the time limit to bring an action for conformity with respect to this product. In the countries of the European Union, this corresponds to a period of two (2) years from delivery of the Thrustmaster product. In other countries, the warranty period corresponds to the time limit to bring an action for conformity with respect to the Thrustmaster product according to applicable laws of the country in which the consumer was domiciled on the date of purchase of the Thrustmaster product (if no such action exists in the corresponding country, then the warranty period shall be one (1) year from the original date of purchase of the Thrustmaster product).

Notwithstanding the above, rechargeable batteries are covered by a warranty period of six (6) months from the date of original purchase.

Should the product appear to be defective during the warranty period, immediately contact Technical Support, who will indicate the procedure to follow. If the defect is confirmed, the product must be returned to its place of purchase (or any other location indicated by Technical Support).

Within the context of this warranty, the consumer's defective product shall, at Technical Support's option, be either replaced or returned to working order. If, during the warranty period, the Thrustmaster product is subject to such reconditioning, any period of at least seven (7) days during which the product is out of use shall be added to the remaining warranty period (this period runs from the date of the consumer's request for intervention or from the date on which the product in question is made available for reconditioning, if the date on which the product is made available for reconditioning is subsequent to the date of the request for intervention). If permitted under applicable law, the full liability of Guillemot and its subsidiaries (including for consequential damages) is limited to the return to working order or the replacement of the Thrustmaster product. If permitted under applicable law, Guillemot disclaims all warranties of merchantability or fitness for a particular purpose.

This warranty shall not apply: (1) if the product has been modified, opened, altered, or has suffered damage as a result of inappropriate or abusive use, negligence, an accident, normal wear, or any other cause unrelated to a material or manufacturing defect (including, but not limited to, combining the Thrustmaster product with any unsuitable element, including in particular power supplies, rechargeable batteries, chargers, or any other elements not supplied by Guillemot for this product); (2) if the product has been used for any use other than home use, including for professional or commercial purposes (game rooms, training, competitions, for example); (3) in the event of failure to comply with the instructions provided by Technical Support; (4) to software, said software being subject to a specific warranty; (5) to consumables (elements to be replaced over the product's lifespan: disposable batteries, audio headset or headphone ear pads, for example); (6) to accessories (cables, cases, pouches, bags, wrist-straps, for example); (7) if the product was sold at public auction.

This warranty is nontransferable.

The consumer's legal rights with respect to laws applicable to the sale of consumer goods in his or her country are not affected by this warranty.

### Additional warranty provisions

During the warranty period, Guillemot shall not provide, in principle, any spare parts, as Technical Support is the only party authorized to open and/or recondition any Thrustmaster product (with the exception of any reconditioning procedures which Technical Support may request that the consumer carry out, by way of written instructions – for example, due to the simplicity and the lack of confidentiality of the reconditioning process – and by providing the consumer with the required spare part(s), where applicable).

Given its innovation cycles and in order to protect its know-how and trade secrets, Guillemot shall not provide, in principle, any reconditioning notification or spare parts for any Thrustmaster product whose warranty period has expired.

In the United States of America and in Canada, this warranty is limited to the product's internal mechanism and external housing. In no event shall Guillemot or its affiliates be held liable to any third party for any consequential or incidental damages resulting from the breach of any express or implied warranties. Some States/Provinces do not allow limitation on how long an implied warranty lasts or exclusion or limitation of liability for consequential or incidental damages, so the above limitations or exclusions may not apply to you. This warranty gives you specific legal rights, and you may also have other rights which vary from State to State or Province to Province.

### Liability

If permitted under applicable law, Guillemot Corporation S.A. (hereinafter "Guillemot") and its subsidiaries disclaim all liability for any damages caused by one or more of the following: (1) the product has been modified, opened or altered; (2) failure to comply with assembly instructions; (3) inappropriate or abusive use, negligence, an accident (an impact, for example); (4) normal wear; (5) the use of the product for any use other than home use, including for professional or commercial purposes (game rooms, training, competitions, for example). If permitted under applicable law, Guillemot and its subsidiaries disclaim all liability for any damages unrelated to a material or manufacturing defect with respect to the product (including, but not limited to, any damages caused directly or indirectly by any software, or by combining the Thrustmaster product with any unsuitable element, including in particular power supplies, rechargeable batteries, chargers, or any other elements not supplied by Guillemot for this product).

**THRUSTMASTER®**

**TECHNICAL SUPPORT**

<https://support.thrustmaster.com>



## DECLARATION OF CONFORMITY

**CANADIAN COMPLIANCE NOTICE:** this Class B digital apparatus meets all requirements of the Canadian Interference-Causing Equipment Regulations.

**USA COMPLIANCE NOTICE:** this equipment has been tested and found to comply with the limits for a Class B digital device, pursuant to Part 15 of the FCC rules. Operation is subject to the following two conditions:

- (1) This device may not cause harmful interference, and
- (2) This device must accept any interference received, including interference that may cause undesired operation.

These limits are designed to provide reasonable protection against harmful interference in a residential installation. This equipment generates, uses and can radiate radio frequency energy and, if not installed and used in accordance with the instructions, may cause harmful interference to radio communications. However, there is no guarantee that interference will not occur in a particular installation. If this equipment does cause harmful interference to radio or television reception, which can be determined by tuning the equipment on and off, the user is encouraged to try to correct the interference by one or more of the following measures:

- Reorient or relocate the receiving antenna.
- Increase the separation between the equipment and receiver.
- Connect the equipment into an outlet on a circuit different from that to which the receiver is connected.
- Consult the dealer or an experienced radio/TV technician for help.

## COPYRIGHT

© 2020 Guillemot Corporation S.A. All rights reserved. Thrustmaster® is a registered trademark of Guillemot Corporation S.A. Windows® is a registered trademark of Microsoft Corporation in the United States and/or other countries.

AIRBUS, its logo and product and service marks are registered trademarks of Airbus. All rights reserved.

© Airbus 2020. All rights reserved. Officially licensed by Airbus.

All other trademarks and brand names are hereby acknowledged and are property of their respective owners. Illustrations not binding. Contents, designs and specifications are subject to change without notice and may vary from one country to another. Made in China.

## ENVIRONMENTAL PROTECTION RECOMMENDATION



- \* In the European Union: At the end of its working life, this product should not be disposed of with standard household waste, but rather dropped off at a collection point for the disposal of Waste Electrical and Electronic Equipment (WEEE) for recycling.

This is confirmed by the symbol found on the product, user manual or packaging.

Depending on their characteristics, the materials may be recycled. Through recycling and other forms of processing Waste Electrical and Electronic Equipment, you can make a

significant contribution towards helping to protect the environment.

Please contact your local authorities for information on the collection point nearest you.

For all other countries: Please adhere to local recycling laws for electrical and electronic equipment.

Retain this information. Colors and decorations may vary.

Plastic fasteners and adhesives should be removed from the product before it is used.

[www.thrustmaster.com](http://www.thrustmaster.com)

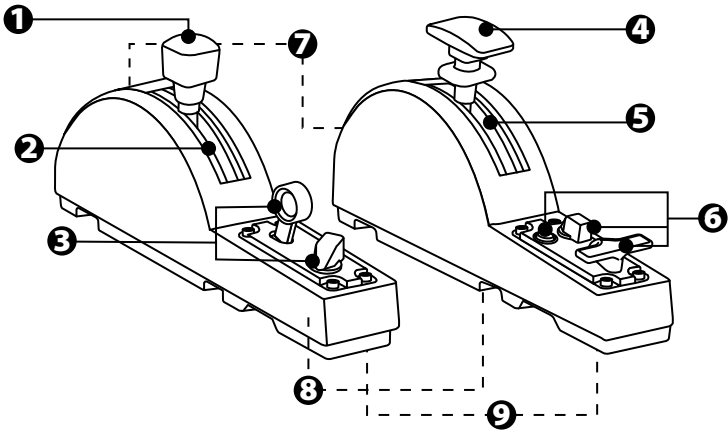
*\*Applicable to EU and Turkey only*



# TCA QUADRANT ADD-ON AIRBUS EDITION

Manuel de l'utilisateur

## CARACTERISTIQUES TECHNIQUES



EN

FR

DE

NL

IT

ES

PT

RU

CS

TR

PL

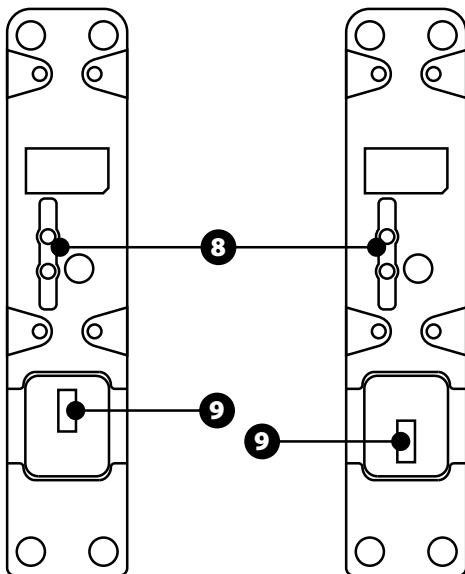
日本語

繁體中文

한국어

العربية

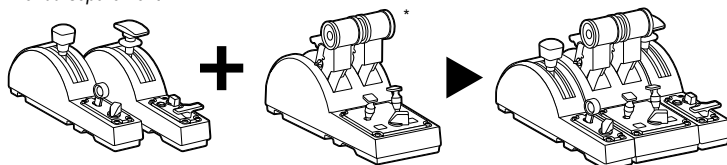




- |   |   |
|---|---|
| <ol style="list-style-type: none"> <li>1. Axe Speedbrake (aérofreins)</li> <li>2. 4 détentes sur l'axe + 5 boutons virtuels</li> <li>3. 6 boutons d'action</li> <li>4. Axe Flaps (volets)</li> <li>5. 4 détentes sur l'axe</li> </ol> | <ol style="list-style-type: none"> <li>6. 4 boutons d'action</li> <li>7. Vis d'ajustement de la friction sur chaque module</li> <li>8. Mécanismes de désactivation des crans sur chaque axe</li> <li>9. Connecteurs SATA pour TCA Quadrant Airbus Edition (vendu séparément)</li> </ol> |
|---|---|

## CONNECTER LES MODULES TCA QUADRANT ADD-ON AU TCA QUADRANT AIRBUS EDITION\*

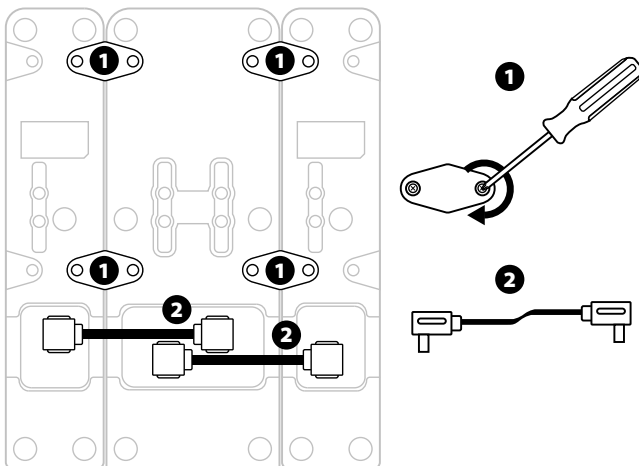
\*Vendu séparément

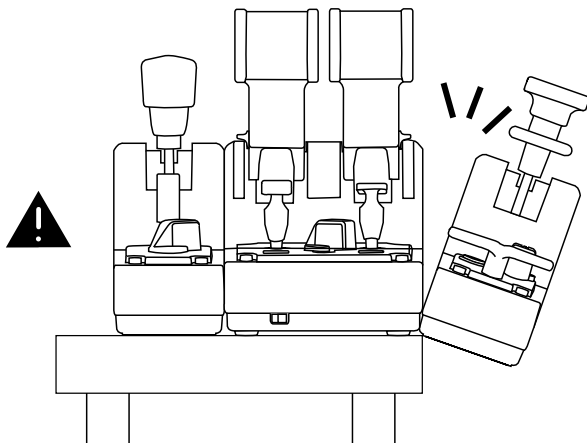
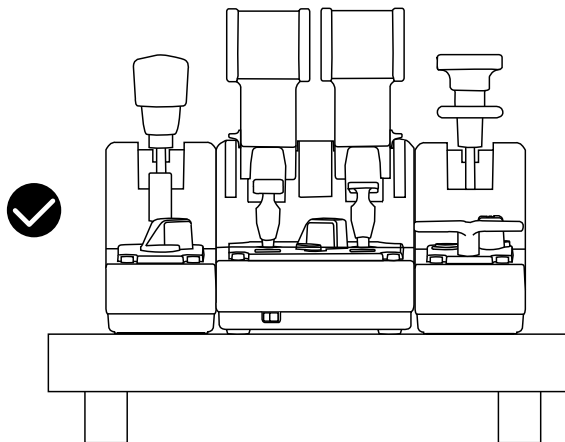


Pour utiliser les TCA Quadrant Add-On Airbus Edition, vous devez faire l'acquisition préalable d'un TCA Quadrant Airbus Edition (vendu séparément). Les modules TCA Quadrant Add-On Airbus Edition sont une extension de la manette des gaz TCA Quadrant Airbus Edition et ne fonctionnent que lorsqu'ils sont connectés de part et d'autre de la manette des gaz TCA Quadrant Airbus Edition.

Cette modularité ajoute de nouveaux axes et boutons d'action et permet d'étendre les cinématiques de décollage, de vol et d'atterrissage de la manette des gaz TCA Quadrant Airbus Edition.

1. Retournez le TCA Quadrant et vissez, à l'aide d'un tournevis, les quatre pièces de fixation fournies avec la manette des gaz TCA Quadrant Airbus Edition et les modules TCA Quadrant Add-On Airbus Edition pour solidariser l'ensemble.
2. Connectez les modules Speedbrake à gauche et Flaps à droite à l'aide des câbles SATA fournis avec le TCA Quadrant Add-On Airbus Edition.





- Pour éviter d'endommager le produit, utilisez un tournevis pour serrer les vis d'ajustement.
- Seuls les câbles officiels fournis par Thrustmaster doivent être utilisés afin de pouvoir mettre à jour le firmware du TCA Quadrant Airbus Edition le cas échéant.
- Évitez de placer le TCA Quadrant Airbus Edition avec les modules en charnière sur le bord d'une table.

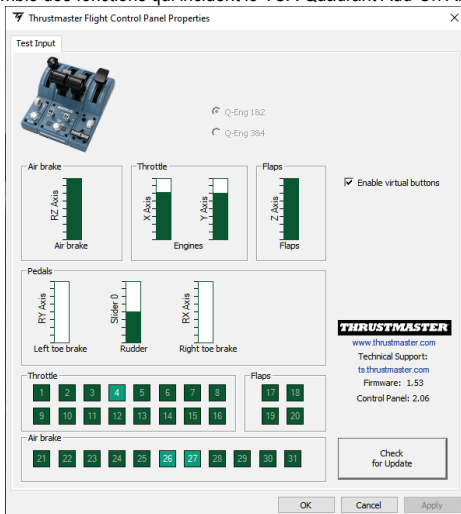
## INSTALLATION SUR PC

1. Allez sur <https://support.thrustmaster.com/>. Cliquez sur **Joysticks / TCA Quadrant Airbus Edition** (ou TCA Quadrant Add-On Airbus Edition), puis sélectionnez Pilotes. Téléchargez et installez le pilote PC et son interface personnalisée du Control Panel Windows.
2. Une fois le pilote PC installé, branchez le connecteur USB sur l'un des ports USB de votre PC.
3. Pour accéder au Control Panel, sélectionnez **Démarrer / Applications / Thrustmaster / Control Panel** ou **Panneau de configuration** (sous Windows® 10 / 8.1 / 8)

La boîte de dialogue **Contrôleurs de jeu** s'affiche.

L'accessoire apparaît à l'écran sous le nom **TCA Q-Eng 1&2** (ou **TCA Q-Eng 3&4**, selon la position du sélecteur 5 sur le TCA Quadrant Airbus Edition) et l'état **OK**.

4. Dans la boîte de dialogue **Contrôleurs de jeu**, cliquez sur **Propriétés** pour tester et visualiser l'ensemble des fonctions qui incluent le TCA Quadrant Add-On Airbus Edition.



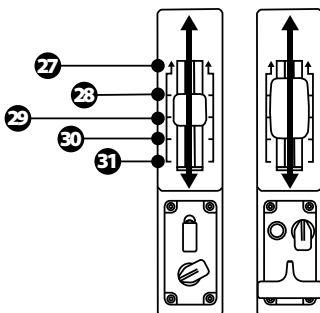
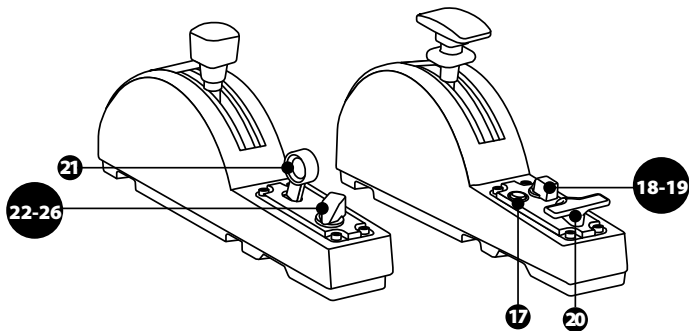
**Enable virtual buttons (Activer les boutons virtuels)** : Cette fonction permet d'activer ou de désactiver les boutons virtuels présents sur les axes de la manette des gaz ou du module Speedbrake. Cliquez sur **Apply (Appliquer)** après avoir sélectionné le mode souhaité.

**Vous êtes maintenant prêt à jouer !**

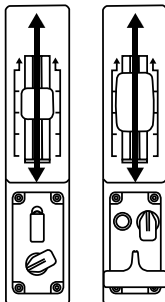


- Pour utiliser le TCA Quadrant Add-On Airbus Edition, vous devez faire l'acquisition préalable d'un TCA Quadrant Airbus Edition.
- Téléchargez sur le support en ligne le package contenant les pilotes permettant de mettre à jour le firmware et d'avoir un contrôle plus détaillé sur les fonctionnalités du produit.

# MAPPING DES 15 BOUTONS ET DES 2 AXES DES MODULES DU TCA QUADRANT ADD-ON AIRBUS EDITION



0 up  
ZR  
65536 down



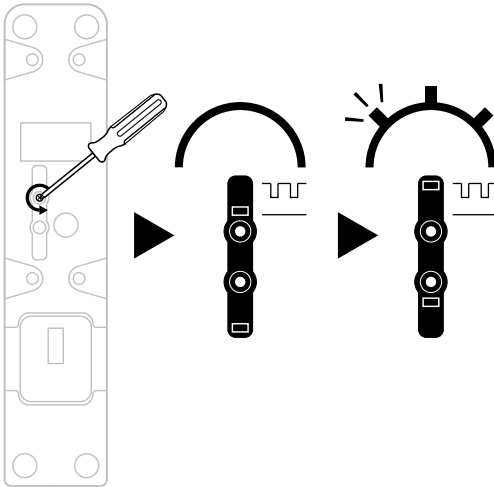
0 up  
Z  
65536 down

## MODIFICATION DES AXES SUR LE TCA QUADRANT ADD-ON AIRBUS EDITION

Les modules TCA Quadrant Add-On Airbus Edition possèdent des sélecteurs mécaniques pour désactiver les détentes et crans sur chaque axe. Cette fonctionnalité permet d'obtenir des axes lisses tout en conservant les boutons virtuels 27 à 31 sur le Speedbrake.

Il est ainsi possible de varier les sensations de pilotage selon le type d'avion présent dans votre simulation (avion commercial ou civil).

1. Retournez les modules TCA Quadrant Add-On Airbus Edition, dévissez les deux vis sur chacun des sélecteurs à l'aide d'un tournevis adapté.
2. Inversez la position des sélecteurs en utilisant les indicateurs présents pour obtenir, sur chaque axe des leviers TCA Quadrant Add-On Airbus Edition, un axe lisse ou cranté.

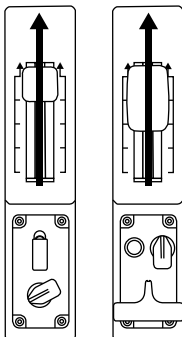


## AJUSTEMENT DE LA FRICTION

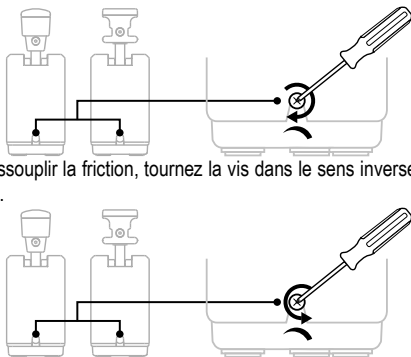
### REMARQUES IMPORTANTES :

La friction des modules TCA Quadrant Add-On Airbus Edition est réglée par défaut à 50%. Afin de permettre un réglage précis selon votre convenance, vous pouvez utiliser un tournevis ou la barre de fixation incluse avec le TCA Quadrant Airbus Edition.

1. Poussez les axes des modules au maximum, puis accédez à la vis d'ajustement de la friction à l'arrière des TCA Quadrant Add-On Airbus Edition.
2. Pour durcir la friction, tournez la vis dans le sens des aiguilles d'une montre.



3. Pour assouplir la friction, tournez la vis dans le sens inverse des aiguilles d'une montre.



- Pour éviter d'endommager le système de friction, ne serrez pas trop fort la vis d'ajustement. Arrêtez de tourner lorsque vous sentez une résistance.  
- Ne dévissez pas complètement la vis d'ajustement afin d'éviter qu'elle ne tombe dans la coque interne des modules TCA Quadrant Add-On Airbus Edition.

## INSTALLATION DES TCA QUADRANT AIRBUS EDITION\* ET TCA QUADRANT ADD-ON AIRBUS EDITION SUR LE TM FLYING CLAMP\*, UN COCKPIT OU AUTRE SUPPORT FIXE

\*Vendu séparément

Vous pouvez utiliser les 6 perforations situées en dessous du TCA Quadrant Airbus Edition, associé au TCA Quadrant Add-On Airbus Edition, pour fixer l'ensemble sur un support fixe à l'aide de vis M6 (non fournies).

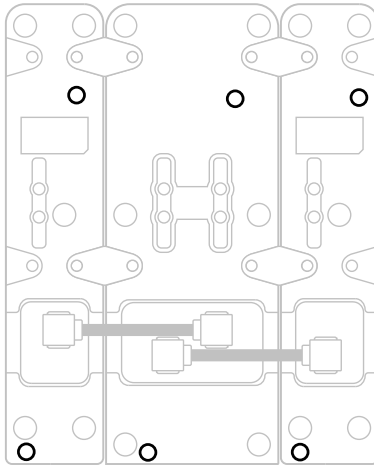
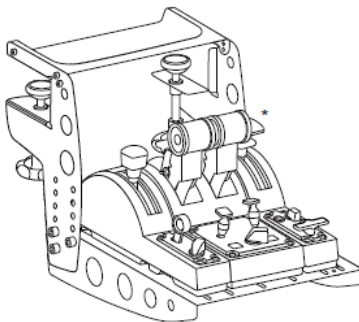
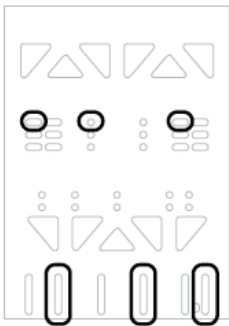


Schéma de montage sur le TM Flying Clamp (vendu séparément) :





## LOGICIEL DE PROGRAMMATION AVANCÉE T.A.R.G.E.T

(Thrustmaster Advanced pRogramming Graphical EdiTor)

Allez sur <https://support.thrustmaster.com>. Cliquez sur **Joysticks / TCA Quadrant Airbus Edition** (ou **TCA Quadrant Add-On Airbus Edition**), puis sélectionnez **Logiciel**. Téléchargez et installez le logiciel de programmation avancée T.A.R.G.E.T.

Principales caractéristiques de T.A.R.G.E.T :

- Diverses configurations possibles des axes.
- Plusieurs niveaux de programmation possibles : Basic, Advanced et Script.
- Utilisation du principe Drag and Drop.
- Fusion possible de la manette des gaz TCA Quadrant avec les autres joysticks - Thrustmaster (Hotas Cougar, Hotas Warthog, T.16000M, MFD Cougar Pack, également compatibles avec T.A.R.G.E.T) permettant la reconnaissance d'un seul périphérique USB.
- Accès aux profils avancés créés par la communauté Thrustmaster.



## DEPANNAGE ET AVERTISSEMENT



Allez sur <https://support.thrustmaster.com> pour télécharger le package contenant les pilotes permettant de mettre à jour le firmware et d'avoir un contrôle plus détaillé sur les fonctionnalités du produit.

### - Mes modules ne fonctionnent pas correctement ou semblent mal calibrés après les avoir connectés au TCA Quadrant Airbus Edition.

- Vérifiez si le support en ligne propose une version du firmware plus récente.
- Éteignez votre PC, débranchez le connecteur USB du TCA Quadrant Airbus Edition, vérifiez que les câbles SATA sont correctement insérés.
- Éteignez votre PC, débranchez le connecteur USB du TCA Quadrant Airbus Edition, rebranchez-le, rallumez votre ordinateur, puis relancez votre jeu.
- Lorsque vous branchez le connecteur USB du TCA Quadrant Airbus Edition, laissez toujours l'axe du palonnier centré si vous utilisez le palonnier TFRP (vendu séparément). Ne posez pas les pieds sur le palonnier.

### - Je n'arrive pas à configurer mes modules TCA Quadrant Add-On Airbus Edition avec ma manette des gaz TCA Quadrant Airbus Edition.

- Dans le menu Options / Contrôleur / Manette ou Joystick de votre jeu, choisissez la configuration appropriée ou reconfigurez complètement les options du contrôleur.
- Vérifiez si le support en ligne propose une version du firmware plus récente.
- Pour plus d'informations, reportez-vous au manuel de l'utilisateur ou à l'aide en ligne de votre jeu.
- Vous pouvez également utiliser le logiciel de programmation avancée T.A.R.G.E.T (Thrustmaster Advanced pRogramming Graphical EdiTor).

### - Mes modules TCA Quadrant Add-On Airbus Edition sont trop ou pas assez sensibles.

- Les axes du TCA Quadrant Add-On Airbus Edition s'auto-calibrent après quelques mouvements effectués et après avoir atteint les butées physiques des axes.
- Dans le menu Options / Contrôleur / Manette ou Joystick de votre jeu, ajustez la sensibilité et les zones mortes de votre contrôleur, si l'option est disponible.
- Vous pouvez également utiliser le logiciel de programmation avancée T.A.R.G.E.T (Thrustmaster Advanced pRogramming Graphical EdiTor).



Ce périphérique est destiné à un usage de jeu de divertissement uniquement. Il est strictement interdit de l'utiliser dans le cadre d'activités de formation professionnelle.

## INFORMATIONS RELATIVES A LA GARANTIE AUX CONSOMMATEURS

Dans le monde entier, Guillemot Corporation S.A., ayant son siège social Place du Granier, B.P. 97143, 35571 Chantepie, France (ci-après « Guillemot ») garantit au consommateur que le présent produit Thrustmaster est exempt de défaut matériel et de vice de fabrication, et ce, pour une période de garantie qui correspond au délai pour intenter une action en conformité de ce produit. Dans les pays de l'Union Européenne, ce délai est de deux (2) ans à compter de la délivrance du produit Thrustmaster. Dans les autres pays, la durée de la période de garantie correspond au délai pour intenter une action en conformité du produit Thrustmaster selon la législation en vigueur dans le pays où le consommateur avait son domicile lors de l'achat du produit Thrustmaster (si une telle action en conformité n'existe pas dans ce pays alors la période de garantie est de un (1) an à compter de la date d'achat d'origine du produit Thrustmaster).

Si, au cours de la période de garantie, le produit semble défectueux, contactez immédiatement le Support Technique qui vous indiquera la procédure à suivre. Si le défaut est confirmé, le produit devra être retourné à son lieu d'achat (ou tout autre lieu indiqué par le Support Technique).

Dans le cadre de la garantie, le consommateur bénéficiera, au choix du Support Technique, d'un remplacement ou d'une remise en état de marche du produit défectueux. Si, pendant la période de garantie, le produit Thrustmaster fait l'objet d'une telle remise en état, toute période d'immobilisation d'au moins sept jours vient s'ajouter à la durée de la garantie qui restait à courir (cette période court à compter de la demande d'intervention du consommateur ou de la mise à disposition pour remise en état du produit en cause, si cette mise à disposition est postérieure à la demande d'intervention). Lorsque la loi applicable l'autorise, toute responsabilité de Guillemot et ses filiales (y compris pour les dommages indirects) se limite à la remise en état de marche ou au remplacement du produit Thrustmaster. Lorsque la loi applicable l'autorise, Guillemot exclut toutes garanties de qualité marchande ou d'adaptation à un usage particulier.

Cette garantie ne s'appliquera pas : (1) si le produit a été modifié, ouvert, altéré, ou a subi des dommages résultant d'une utilisation inappropriée ou abusive, d'une négligence, d'un accident, de l'usure normale, ou de toute autre cause non liée à un défaut matériel ou à un vice de fabrication (y compris, mais non limitativement, une combinaison du produit Thrustmaster avec tout élément inadapté, notamment alimentations électriques, batteries, chargeurs, ou tous autres éléments non-fournis par Guillemot pour ce produit) ; (2) si le produit a été utilisé en dehors du cadre privé, à des fins professionnelles ou commerciales (salles de jeu, formations, compétitions, par exemple). (3) en cas de non respect des instructions du Support Technique ; (4) aux logiciels, lesdits logiciels faisant l'objet d'une garantie spécifique ; (5) aux consommables (éléments à remplacer pendant la durée de vie du produit : piles, coussinets de casque audio, par exemple) ; (6) aux accessoires (câbles, étuis, housses, sacs, dragonnes, par exemple) ; (7) si le produit a été vendu aux enchères publiques.

Cette garantie n'est pas transférable.

Les droits légaux du consommateur au titre de la législation applicable dans son pays à la vente de biens de consommation ne sont pas affectés par la présente garantie.

Par exemple, en France, indépendamment de la présente garantie, le vendeur reste tenu de la garantie légale de conformité mentionnée aux articles L. 217-4 à L.217-12 du code de la consommation et de celle relative aux défauts (vices cachés) de la chose vendue, dans les conditions prévues aux articles 1641 à 1648 et 2232 du code civil. La loi applicable (c'est-à-dire la loi française) impose de reproduire les extraits de la loi française suivants :

Article L. 217-4 du code de la consommation :

*Le vendeur livre un bien conforme au contrat et répond des défauts de conformité existant lors de la délivrance.*

*Il répond également des défauts de conformité résultant de l'emballage, des instructions de montage ou de l'installation lorsque celle-ci a été mise à sa charge par le contrat ou a été réalisée sous sa responsabilité.*

Article L. 217-5 du code de la consommation :

*Le bien est conforme au contrat :*

*1° S'il est propre à l'usage habituellement attendu d'un bien semblable et, le cas échéant :*

*- s'il correspond à la description donnée par le vendeur et possède les qualités que celui-ci a présentées à l'acheteur sous forme d'échantillon ou de modèle ;*

*- s'il présente les qualités qu'un acheteur peut légitimement attendre eu égard aux déclarations publiques faites par le vendeur, par le producteur ou par son représentant, notamment dans la publicité ou l'étiquetage ;*

*2° Ou s'il présente les caractéristiques définies d'un commun accord par les parties ou est propre à tout usage spécial recherché par l'acheteur, porté à la connaissance du vendeur et que ce dernier a accepté.*

Article L. 217-12 du code de la consommation :

*L'action résultant du défaut de conformité se prescrit par deux ans à compter de la délivrance du bien.*

Article L. 217-16 du code de la consommation :

*Lorsque l'acheteur demande au vendeur, pendant le cours de la garantie commerciale qui lui a été consentie lors de l'acquisition ou de la réparation d'un bien meuble, une remise en état couverte par la garantie, toute période d'immobilisation d'au moins sept jours vient s'ajouter à la durée de la garantie qui restait à courir.*

Cette période court à compter de la demande d'intervention de l'acheteur ou de la mise à disposition pour réparation du bien en cause, si cette mise à disposition est postérieure à la demande d'intervention.

Article L. 1641 du code civil:

*Le vendeur est tenu de la garantie à raison des défauts cachés de la chose vendue qui la rendent impropre à l'usage auquel on la destine, ou qui diminuent tellement cet usage que l'acheteur ne l'aurait pas acquise, ou n'en aurait donné qu'un moindre prix, s'il les avait connus.*

Article L. 1648 alinéa 1<sup>er</sup> du code civil:

*L'action résultant des vices rédhibitoires doit être intentée par l'acquéreur dans un délai de deux ans à compter de la découverte du vice.*

### Stipulations additionnelles à la garantie

Pendant la période de garantie, Guillemot ne fournira, en principe, pas de pièce détachée car le Support Technique est seul habilité tant à ouvrir qu'à remettre en état tout produit Thrustmaster (à l'exception des remises en état que le Support Technique demanderait, par instructions écrites, au consommateur d'effectuer -par exemple en raison de la simplicité et de l'absence de confidentialité du processus de remise en état-, en lui fournissant, le cas échéant, la ou les pièces détachées nécessaires).

Compte tenu de ses cycles d'innovation et pour préserver ses savoir-faire et secrets, Guillemot ne fournira, en principe, ni notice de remise en état, ni pièce détachée pour tout produit Thrustmaster dont la période de garantie est expirée.

Aux États-Unis d'Amérique et au Canada, la présente garantie est limitée au mécanisme interne et au boîtier externe du produit. En aucun cas, Guillemot ou ses sociétés affiliées ne sauraient être tenues responsables envers qui que ce soit de tous dommages indirects ou dommages accessoires résultant du non respect des garanties expresses ou implicites. Certains États/Provinces n'autorisent pas la limitation sur la durée d'une garantie implicite, ou l'exclusion ou la limitation de responsabilité pour les dommages indirects et accessoires, de sorte que les limitations ou exclusions ci-dessus peuvent ne pas vous être applicables. Cette garantie vous confère des droits spécifiques ; vous pouvez également bénéficier d'autres droits qui peuvent différer d'un État/Province à l'autre.

### Responsabilité

Lorsque la loi applicable l'autorise, Guillemot Corporation S.A. (ci-après « Guillemot ») et ses filiales excluent toute responsabilité pour tous dommages causés par un ou plusieurs des faits suivants: (1) le produit a été modifié, ouvert, altéré, (2) l'irrespect des instructions de montage, (3) l'utilisation inappropriée ou abusive, la négligence, l'accident (un choc, par exemple), (4) l'usure normale du produit, (5) l'utilisation du produit en dehors du cadre privé, à des fins professionnelles ou commerciales (salles de jeu, formations, compétitions, par exemple). Lorsque la loi applicable l'autorise, Guillemot et ses filiales excluent toute responsabilité pour tout dommage dont la cause n'est pas liée à un défaut matériel ou à un vice de fabrication du produit (y compris, mais non limitativement, tout dommage causé directement ou indirectement par tout logiciel, ou par une combinaison du produit Thrustmaster avec tout élément inadapté, notamment alimentations électriques, batteries, chargeurs, ou tous autres éléments non-fournis par Guillemot pour ce produit).

**THRUSTMASTER®**

**SUPPORT TECHNIQUE**

<https://support.thrustmaster.com>



## Déclaration de conformité

### UTILISATEURS CANADIENS :

Cet appareil numérique de la classe B respecte toutes les exigences du Règlement sur le matériel brouilleur du Canada.

## COPYRIGHT

© 2020 Guillemot Corporation S.A. Tous droits réservés. Thrustmaster® est une marque déposée de Guillemot Corporation S.A. Windows® est une marque déposée de Microsoft Corporation aux Etats-Unis et/ou dans d'autres pays. AIRBUS, son logo et les marques de produit et de service sont des marques déposées d'Airbus. Tous droits réservés. © Airbus 2020. Tous droits réservés. Sous licence officielle Airbus.

Toutes les autres marques sont la propriété de leurs propriétaires respectifs. Illustrations non contractuelles. Le contenu, la conception et les spécifications sont susceptibles de changer sans préavis et de varier selon les pays. Fabriqué en Chine.

## RECOMMANDATION RELATIVE A LA PROTECTION DE L'ENVIRONNEMENT



\* Dans l'Union Européenne : En fin de vie, ce produit ne doit pas être éliminé avec les déchets ménagers normaux mais déposé à un point de collecte des déchets d'équipements électriques et électroniques en vue de son recyclage.

Ceci est confirmé par le symbole figurant sur le produit, le manuel utilisateur ou l'emballage.

En fonction de leurs caractéristiques, les matériaux peuvent être recyclés. Par le recyclage et par les autres formes de valorisation des déchets d'équipements électriques et électroniques, vous contribuez de manière significative à la protection de l'environnement. Veuillez consulter les autorités locales qui vous indiqueront le point de collecte concerné.

Dans les autres pays : Veuillez vous reporter aux législations locales relatives au recyclage des équipements électriques et électroniques.

Informations à conserver. Les couleurs et décorations peuvent varier.

Il est recommandé de retirer les attaches en plastique et les adhésifs avant d'utiliser le produit.

[www.thrustmaster.com](http://www.thrustmaster.com)

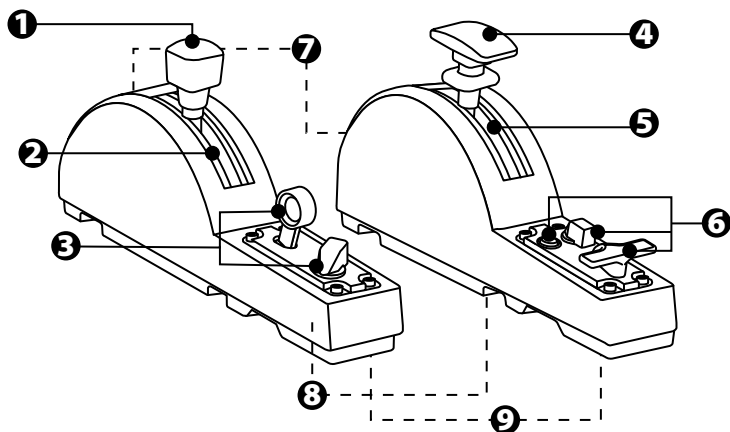
*\*Applicable à l'UE et la Turquie uniquement*

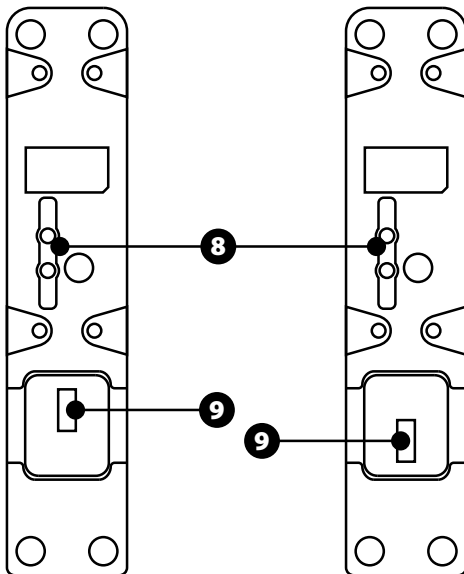


# TCA QUADRANT ADD-ON AIRBUS EDITION

Bedienungsanleitung

## TECHNISCHE AUSSTATTUNG

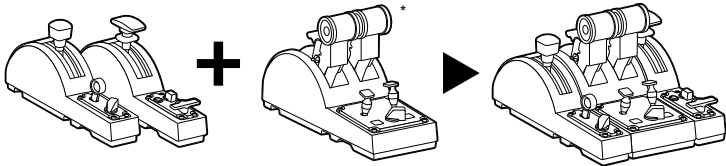




- |  |   |
|--|---|
| 1. Bremsklappen (Luftbremsen)-Achse                  | 6. 4 Action-Buttons   |
| 2. 4 Arretierungen an der Achse + 5 virtuelle Tasten | 7. Schraube zur Friktionseinstellung an jedem Modul                           |
| 3. 6 Action-Buttons                                  | 8. Mechanismus zur Aktivierung/Deaktivierung der Arretierungen an jeder Achse |
| 4. Landeklappen-Achse                                | 9. SATA-Anschlüsse für die TCA Quadrant Airbus Edition (separat erhältlich)   |
| 5. 4 Arretierungen an der Achse                      |   |

## VERBINDEN DER MODULE DER TCA QUADRANT ADD-ON AIRBUS EDITION MIT DER TCA QUADRANT AIRBUS EDITION\*

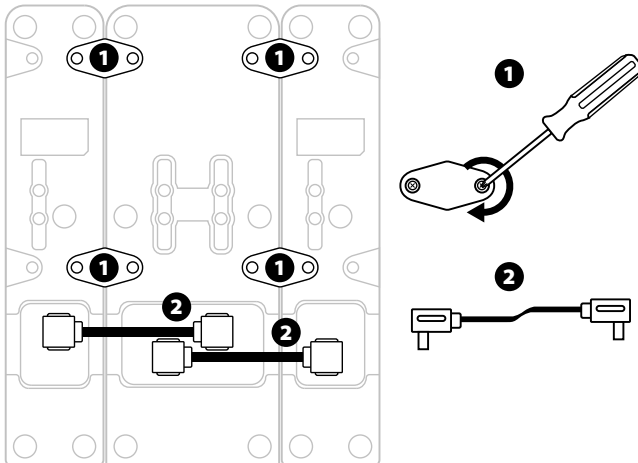
\*Separat erhältlich



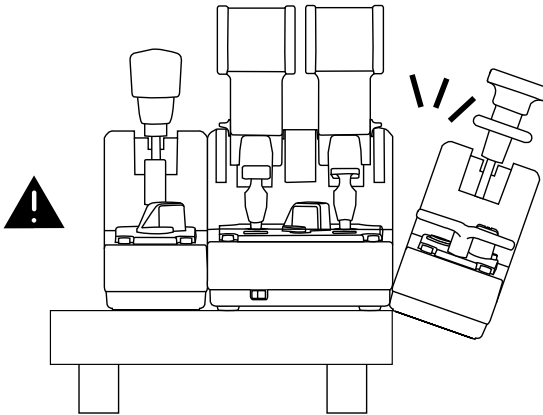
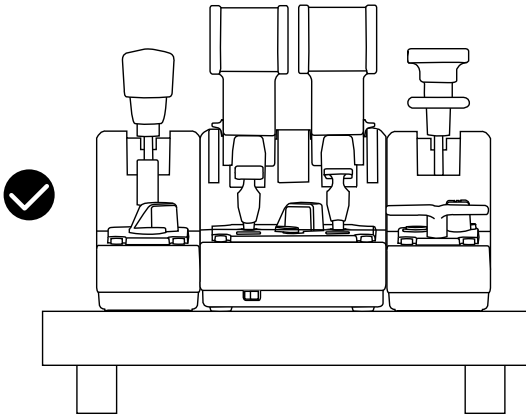
Voraussetzung für die Verwendung der Module der TCA Quadrant Add-On Airbus Edition ist der Besitz einer TCA Quadrant Airbus Edition (separat erhältlich). Die Module der TCA Quadrant Add-On Airbus Edition sind eine Erweiterung des Schubhebel-Quadranten der TCA Quadrant Airbus Edition und funktionieren nur, wenn sie zu beiden Seiten der TCA Quadrant Airbus Edition angebracht sind.

Durch diese Modularität werden neue Achsen und Aktionstasten hinzugefügt, und Sie können die Kinematik (Start, Flug und Landung) der TCA Quadrant Airbus Edition erweitern.

1. Drehen Sie alle Geräte auf den Kopf und schrauben Sie mit einem Schraubendreher mit der entsprechenden Kopfform (nicht im Lieferumfang enthalten) die vier Befestigungsteile an, die der TCA Quadrant Airbus Edition und den Modulen der TCA Quadrant Add-On Airbus Edition beiliegen, um alles miteinander zu verbinden.
2. Bringen Sie das Bremsklappen-Modul auf der linken Seite an und stellen Sie die Verbindung mithilfe der SATA-Kabel her, die der TCA Quadrant Add-On Airbus Edition beiliegen.







- Um eine Beschädigung der Produkte zu vermeiden, verwenden Sie zum Festziehen/Lösen der Schrauben einen Schraubendreher mit der passenden Kopfform (nicht im Lieferumfang enthalten).
- Verwenden Sie nur die offiziell von Thrustmaster gelieferten Kabel. Dies ermöglicht Ihnen bei Bedarf ein Firmware-Update für die TCA Quadrant Airbus Edition.
- Positionieren Sie die TCA Quadrant Airbus Edition niemals so, dass eines der TCA Quadrant Add-On Airbus Edition-Module in der Nähe oder über der Kante eines Tisches oder Schreibtisches hängt.

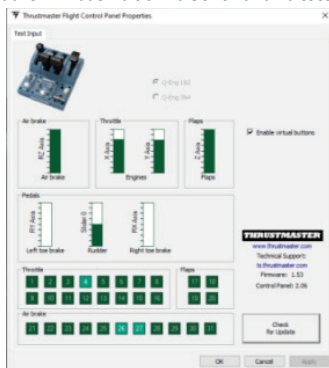
## INSTALLATION AUF EINEM PC

1. Bitte besuchen Sie <https://support.thrustmaster.com>. Klicken Sie auf **Joysticks / TCA Quadrant Airbus Edition** (oder **TCA Quadrant Add-On Airbus Edition**) und wählen Sie **Treiber**. Laden Sie den PC-Treiber herunter und installieren Sie ihn und seine für Windows angepasste Schnittstelle der Systemsteuerung.
2. Nach der Installation des PC-Treibers verbinden Sie den USB-Anschluss der TCA Quadrant Airbus Edition mit einem der USB-Ports Ihres Computers.
3. Zum Öffnen der Systemsteuerung klicken Sie **Start / Apps / Thrustmaster / Systemsteuerung** (in Windows® 10 / 8.1 / 8).

Es öffnet sich das Dialogfeld **Gamecontroller**.

Das Zubehör ist unter dem Namen **TCA Q-Eng 1&2** (oder **TCA Q-Eng 3&4**, was von der Position des Wählschalters für die Triebwerke [5] der TCA Quadrant Airbus Edition abhängt) aufgelistet. Daneben steht als Status **OK**.

4. In dem Dialogfeld **Gamecontroller** klicken Sie auf **Eigenschaften**, um alle Funktionen der TCA Quadrant Add-On Airbus Edition zu sehen und zu testen.



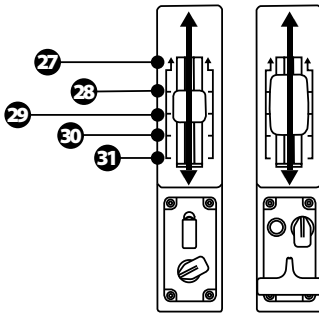
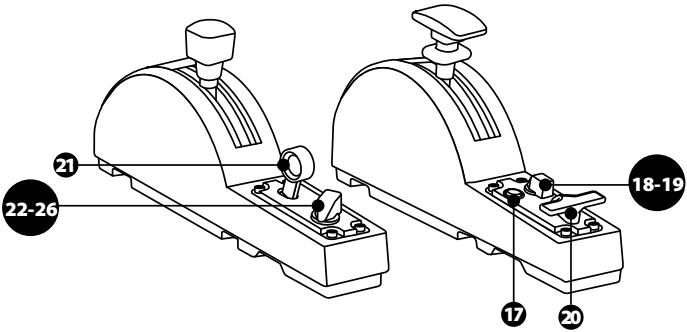
**Enable virtual buttons (Virtuelle Tasten aktivieren):** Mit dieser Funktion können Sie die auf den Achsen verfügbaren virtuellen Tasten für den Schubhebel-Quadranten und das Bremsklappen-Modul aktivieren oder deaktivieren. Klicken Sie auf **Apply (Anwenden)**, sobald Sie den gewünschten Modus ausgewählt haben.

**Sie sind jetzt soweit, dass Sie spielen können!**

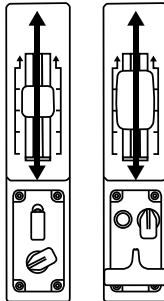


- Um die Module der TCA Quadrant Add-On Airbus Edition verwenden zu können, müssen Sie eine TCA Quadrant Airbus Edition (separat erhältlich) besitzen.
- Besuchen Sie <https://support.thrustmaster.com>, um das Paket mit den Treibern herunterzuladen, mit denen Sie die Firmware des Produkts aktualisieren können, um eine umfassendere Kontrolle der Produktfunktionen zu erhalten.

# BELEGUNG DER 15 TASTEN UND 2 ACHSEN DES TCA QUADRANT ADD-ON AIRBUS EDITION-MODULS



0 up  
 ZR  
 65536 down



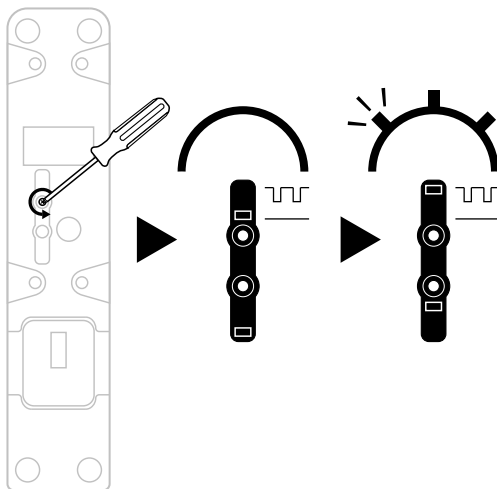
0 up  
 Z  
 65536 down

## ÄNDERUNGEN AN DEN MODUL-ACHSEN DER TCA QUADRANT ADD-ON AIRBUS EDITION

Die Module der TCA Quadrant Add-On Airbus Edition verfügen über mechanische Wählschalter, mit denen Sie die Arretierungen/Rasten an den jeweiligen Achsen deaktivieren. Dadurch erhalten Sie glatte, unterbrechungsfreie Achsen, während die virtuellen Tasten 27 bis 31 am Bremsklappen-Modul erhalten bleiben.

Mit dieser Option können Sie das Fluggefühl an den in Ihrer Simulation verwendeten Flugzeugtyp (Verkehrsflugzeug oder Zivilflugzeug) anpassen.

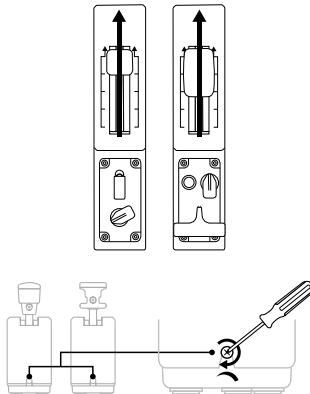
1. Drehen Sie die Module der TCA Quadrant Add-On Airbus Edition auf den Kopf und schrauben Sie die beiden Schrauben für jeden der Wählschalter mit einem Schraubendreher mit der passenden Kopfform (nicht im Lieferumfang enthalten) heraus.
2. Wechseln Sie die Position der Wählschalter, wobei Sie sich an den Indikatoren orientieren: So können Sie entweder eine glatte Achse oder eine Achse mit Arretierungen/Rasten für jede Achse der TCA Quadrant Add-On Airbus Edition-Module wählen.



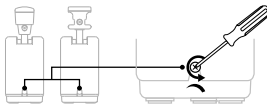
# EINSTELLUNG DER FRIKTION

## WICHTIGER HINWEIS:

- Die Friktion der TCA Quadrant Add-On Airbus Edition-Module ist standardmäßig auf 50 % eingestellt.
  - Um eine präzise Einstellung entsprechend Ihren Anforderungen zu ermöglichen, können Sie die Friktions-Einstellschraube mit einem Schraubendreher mit entsprechender Kopfform (nicht im Lieferumfang enthalten) – oder mit der Querstange, die der TCA Quadrant Airbus Edition beiliegt – drehen.
1. Drücken Sie die Hebel an beiden Modulen der TCA Quadrant Add-On Airbus Edition bis zu ihren Maximalwerten nach vorne und verschaffen Sie sich dann Zugang zu der Friktions-Einstellschraube an der Rückseite des jeweiligen Moduls.
  2. Um die Friktion zu erhöhen, drehen Sie die Friktions-Einstellschraube im Uhrzeigersinn.



3. Um die Friktion zu verringern, drehen Sie die Friktions-Einstellschraube gegen den Uhrzeigersinn.



- Um eine Beschädigung des Friktionsmechanismus zu vermeiden, achten Sie darauf, die Einstellschraube nicht zu fest anzuziehen. Hören Sie auf, die Schraube zu drehen, wenn Sie einen Widerstand spüren.
- Drehen Sie die Einstellschraube niemals ganz heraus, um zu vermeiden, dass die Schraube in das Gehäuse der TCA Quadrant Add-On Airbus Edition fällt.

# MONTAGE DER TCA QUADRANT AIRBUS EDITION\* UND DER MODULE DER TCA QUADRANT ADD-ON AIRBUS EDITION AUF EINE TM FLYING CLAMP\*, IN EIN COCKPIT\* ODER AUF EINE ANDERE FESTE OBERFLÄCHE

*\*Separat erhältlich*

Sie können die insgesamt 6 Bohrungen an der Unterseite der TCA Quadrant Airbus Edition und der damit verbundenen Module der TCA Quadrant Add-On Airbus Edition verwenden, um sie mit M6-Schrauben (nicht im Lieferumfang enthalten) in ein Cockpit oder auf eine andere feste Oberfläche zu montieren.

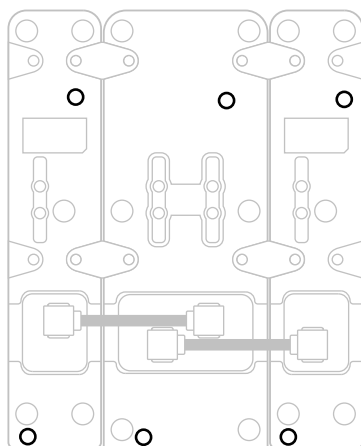
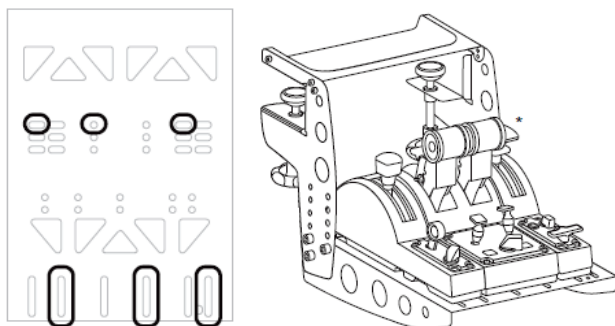


Abbildung der Verbindungen für die TM Flying Clamp\* (\*separat erhältlich):



# ERWEITERTE PROGRAMMIERUNGS-SOFTWARE T.A.R.G.E.T (Thrustmaster Advanced pRogramming Graphical EdiT or)

Bitte besuchen Sie <https://support.thrustmaster.com>, klicken dort auf **Joysticks / TCA Quadrant Airbus Edition** (oder **TCA Quadrant Add-On Airbus Edition**) und wählen **Software** aus. Laden Sie die erweiterte Programmierungs-Software T.A.R.G.E.T herunter und installieren Sie diese.

Die wichtigsten Funktionen von T.A.R.G.E.T:

- Unterschiedliche Konfigurationsmöglichkeiten der Achsen.
- Unterschiedliche Möglichkeiten der Programmierung: Basic, Advanced und Script.
- Nutzung des Drag-and-Drop-Prinzips.
- Kombinationsmöglichkeit des Schubhebel-Quadranten der TCA Quadrant Airbus Edition mit unterschiedlichen Thrustmaster-Joysticks (HOTAS Cougar, HOTAS Warthog, T.16000M, MFD Cougar Pack, die allesamt mit T.A.R.G.E.T kompatibel sind), wodurch sie als ein einzelnes USB-Gerät erkannt werden können.
- Zugang zu weiterführenden Profildaten, die von der Thrustmaster-Community erstellt wurden.



## FEHLERBEHEBUNG UND WARNUNG



Besuchen Sie <https://support.thrustmaster.com>, um das Paket mit den Treibern herunterzuladen, mit denen Sie die Firmware des Produkts aktualisieren können, um eine umfassendere Kontrolle der Produktfunktionen zu erhalten.

- **Meine Module der TCA Quadrant Add-On Airbus Edition funktionieren nicht richtig oder scheinen nicht richtig kalibriert zu sein, wenn sie mit der TCA Quadrant Airbus Edition verbunden sind.**

- Besuchen Sie <https://support.thrustmaster.com> um zu prüfen, ob eine neuere Firmware-Version verfügbar ist. Wenn dies der Fall ist, folgen Sie den Anweisungen zum Herunterladen und Installieren der Firmware.
- Schalten Sie Ihren PC aus und trennen Sie den USB-Anschluss für den Schubhebel-Quadranten der TCA Quadrant Airbus Edition. Überprüfen Sie, ob beide SATA-Kabel ordnungsgemäß an die Geräte angeschlossen sind.
- Schalten Sie Ihren PC aus und trennen Sie den USB-Anschluss für den Schubhebel-Quadranten der TCA Quadrant Airbus Edition. Schließen Sie dann den USB-Stecker wieder an, schalten Sie Ihren PC wieder ein und starten Sie Ihr Spiel neu.
- Wenn Sie den USB-Stecker für den Schubhebel-Quadranten der TCA Quadrant Airbus Edition anschließen, lassen Sie die Steuerruder-Achse immer in der Mitte, wenn Sie das TFRP-Steuerruder-System (separat erhältlich) verwenden. Stellen Sie dabei niemals Ihre Füße auf die Pedale des TFRP-Steuerruder-Systems.

- **Ich kann meine Module der TCA Quadrant Add-On Airbus Edition mit dem Schubhebel-Quadranten der TCA Quadrant Airbus Edition nicht konfigurieren.**

- Wählen Sie im Menü Ihres Spiels unter Einstellungen / Controller / Gamepad oder Joystick die entsprechende Konfiguration oder konfigurieren Sie die Einstellungen Ihres Controllers komplett neu.
- Besuchen Sie <https://support.thrustmaster.com> um zu prüfen, ob eine neuere Firmware-Version verfügbar ist. Wenn dies der Fall ist, folgen Sie den Anweisungen zum Herunterladen und Installieren der Firmware.
- Weitere Informationen finden Sie im Benutzerhandbuch oder in der Online-Hilfe Ihres Spiels.
- Sie können aber ebenso die erweiterte Programmierungs-Software T.A.R.G.E.T (Thrustmaster Advanced pROgramming Graphical EdiTοr) verwenden.
- **Meine Module der TCA Quadrant Add-On Airbus Edition reagieren zu empfindlich oder nicht empfindlich genug.**
- Die Achsen der TCA Quadrant Add-On Airbus Edition-Module kalibrieren sich automatisch nach einigen Bewegungen und nach Erreichen der physikalischen Anschläge.
- Passen Sie im Menü Ihres Spiels unter Einstellungen / Controller / Gamepad oder Joystick die Empfindlichkeit und die Deadzones Ihres Controllers an (falls diese Optionen angeboten werden).
- Sie können aber ebenso die erweiterte Programmierungs-Software T.A.R.G.E.T (Thrustmaster Advanced pROgramming Graphical EdiTοr) verwenden.



Diese Geräte sind nur für die Verwendung im Rahmen der Unterhaltung beim Gaming vorgesehen. Es ist strengstens verboten, diese Geräte für professionelle Trainingsaktivitäten zu verwenden.



## Kunden-Garantie-Information

Guillemot Corporation S.A. mit Hauptsitz in Place du Granier, B.P. 97143, 35571 Chantepie, France (fortfolgend "Guillemot") garantiert Kunden weltweit, daß dieses Thrustmaster Produkt frei von Mängeln in Material und Verarbeitung für eine Gewährleistungsfrist ist, die mit der Frist für eine Mängelrüge bezüglich des Produktes übereinstimmt. In den Ländern der Europäischen Union entspricht diese einem Zeitraum von zwei (2) Jahren ab Kaufdatum des Thrustmaster Produktes. In anderen Ländern entspricht die Gewährleistungsfrist der zeitlichen Begrenzung für eine Mängelrüge bezüglich des Thrustmaster Produktes in Übereinstimmung mit anwendbarem Recht des Landes, in dem der Kunde zum Zeitpunkt des Erwerbs eines Thrustmaster Produktes wohnhaft ist. Sollte eine entsprechende Regelung in dem entsprechenden Land nicht existieren, umfasst die Gewährleistungspflicht einen Zeitraum von einem (1) Jahr ab dem originären Kaufdatum des Thrustmaster Produktes.

Sollten bei dem Produkt innerhalb der Gewährleistungsfrist Defekte auftreten, kontaktieren Sie unverzüglich den technischen Kundendienst, der die weitere Vorgehensweise anzeigt. Wurde der Defekt bestätigt, muß das Produkt an die Verkaufsstelle (oder an eine andere Stelle, je nach Maßgabe des technischen Kundendienstes) retourniert werden.

Im Rahmen dieser Garantie sollte das defekte Produkt des Kunden, je nach Entscheidung des technischen Kundendienstes, entweder ausgetauscht oder repariert werden. Sollte während der Garantiezeit das Thrustmaster Produkt einer derartigen Instandsetzung unterliegen und das Produkt während eines Zeitraums von mindestens sieben (7) Tagen nicht benutzbar sein, wird diese Zeit der restlichen Garantiezeit hinzugefügt. Diese Frist läuft ab dem Zeitpunkt, an dem der Wunsch des Verbrauchers bezüglich einer Intervention vorliegt oder ab dem Tag, an dem das fragliche Produkt zur Instandsetzung zur Verfügung steht, falls das Datum, an dem das Produkt zur Instandsetzung zur Verfügung steht, dem Datum des Antrags auf Intervention nachfolgt. Wenn nach geltendem Recht zulässig, beschränkt sich die volle Haftung von Guillemot und ihrer Tochtergesellschaften auf die Reparatur oder den Austausch des Thrustmaster Produktes (inklusive Folgeschäden). Wenn nach geltendem Recht zulässig, lehnt Guillemot alle Gewährleistungen der Marktgängigkeit oder Eignung für einen bestimmten Zweck ab. Der Gewährleistungsanspruch verfällt: (1) Falls das Produkt modifiziert, geöffnet, verändert oder ein Schaden durch unsachgemäßen oder missbräuchlichen Gebrauch hervorgerufen wurde, sowie durch Fahrlässigkeit, einen Unfall, Verschleiß oder irgendeinem anderen Grund – aber nicht durch Material- oder Herstellungsfehler (einschließlich, aber nicht beschränkt auf, die Kombination der Thrustmaster Produkte mit ungeeigneten Elementen, insbesondere Netzteile, Akkus, Ladegeräte, oder andere Elemente, die von Guillemot für dieses Produkt nicht mitgeliefert wurden); (2) Falls das Produkt für eine andere Nutzung als zum privaten Hausgebrauch, einschließlich für professionelle oder kommerzielle Zwecke (z. B. Spielhallen, Training, Wettkämpfe) verwendet wird; (3) Im Falle der Nichteinhaltung der durch den technischen Support erteilten Anweisungen; (4) Durch Software. Die besagte Software ist Gegenstand einer speziellen Garantie; (5) Bei Verbrauchsmaterialien (Elemente, die während der Produktlebensdauer ausgetauscht werden, wie z. B. Einwegbatterien, Ohrpolster für ein Audioheadset oder für Kopfhörer); (6) Bei Accessoires (z. B. Kabel, Etuis, Taschen, Beutel, Handgelenk-Riemen); (7) Falls das Produkt in einer öffentlichen Versteigerung verkauft wurde. Diese Garantie ist nicht übertragbar.

Die Rechte des Kunden in Übereinstimmung mit anwendbarem Recht bezüglich des Verkaufs auf Konsumgüter im Land der/der Kunden/Kundin wird durch diese Garantie nicht beeinträchtigt.

### Zusätzliche Gewährleistungsbestimmungen

Während der Garantiezeit bietet Guillemot grundsätzlich keine Ersatzteile an, da der technische Kundendienst der einzige autorisierte Partner zum Öffnen und/oder Instandsetzen jedweden Thrustmaster-Produkts ist (mit Ausnahme von irgendwelchen Instandsetzungsprozeduren, die der Kunde nach Maßgabe des technischen Kundendienstes und durch schriftliche Instruktionen sowie der Zurverfügungstellung des/der eventuell erforderlichen Ersatzteil(s)e selbst in der Lage ist durchzuführen – zum Beispiel aufgrund der Einfachheit und einer nicht erforderlichen Geheimhaltung des Instandsetzungsverfahrens).

Aufgrund seiner Innovationszyklen und um sein Know-how und seine Geschäftsgeheimnisse zu schützen, bietet Guillemot grundsätzlich keine Instandsetzungs-Benachrichtigung oder Ersatzteile für alle Thrustmaster Produkte an, deren Garantiezeit abgelaufen ist.

### Haftung

Wenn nach dem anwendbaren Recht zulässig, lehnen Guillemot Corporation S.A. (fortfolgend "Guillemot") und ihre Tochtergesellschaften jegliche Haftung für Schäden, die auf eine oder mehrere der folgenden Ursachen zurückzuführen sind, ab: (1) das Produkt wurde modifiziert, geöffnet oder geändert; (2) Nichtbefolgung der Montageanleitung; (3) unangebrachte Nutzung, Fahrlässigkeit, Unfall (z. B. ein Aufprall); (4) normalem Verschleiß; (5) Die Verwendung des Produkts für jedwede andere Nutzung als zum privaten Hausgebrauch, einschließlich professionelle oder kommerzielle Zwecke (z. B. Spielhallen, Training, Wettkämpfe). Wenn nach anwendbarem Recht zulässig, lehnen Guillemot und seine Niederlassungen jegliche Haftung für Schäden, die nicht auf einen Material- oder Herstellungsfehler in Bezug auf das Produkt beruhen (einschließlich, aber nicht beschränkt auf, etwaige Schäden, die direkt oder indirekt durch Software oder durch die Kombination der Thrustmaster Produkte mit ungeeigneten Elementen, insbesondere Netzteile, Akkus, Ladegeräte, oder andere Elemente, die von Guillemot für dieses Produkt nicht geliefert wurden), ab.



## COPYRIGHT

© Guillemot Corporation S.A. 2020. Alle Rechte vorbehalten. Thrustmaster® ist ein eingetragenes Warenzeichen der Guillemot Corporation S.A.

AIRBUS, das Logo sowie die Markenzeichen für Produkte und Dienstleistungen sind eingetragene Marken von Airbus. Alle Rechte vorbehalten.

© Airbus 2020. Alle Rechte vorbehalten. Offiziell lizenziert von Airbus.

Alle anderen Handelsmarken sind im Besitz Ihrer jeweiligen Eigentümer. Illustrationen nicht verbindlich.

Inhalte, Design und Spezifikationen können ohne vorherige Ankündigung geändert werden und können von Land zu Land unterschiedlich sein. Hergestellt in China.

## Hinweise zum Umweltschutz



\* In der Europäischen Union: Dieses Produkt darf nach Ende seiner Lebensdauer nicht über den Hausmüll entsorgt werden, sondern muss an einem Sammelpunkt für das Recycling von elektrischen und elektronischen Geräten abgegeben werden.

Das Symbol auf dem Produkt, der Gebrauchsanleitung oder der Verpackung weist darauf hin.

Die Werkstoffe sind gemäß ihrer Kennzeichnung wiederverwertbar. Mit der Wiederverwertung, der stofflichen Verwertung oder anderen Formen von Altgeräten leisten

Sie einen wichtigen Beitrag zum Schutz unserer Umwelt. Bitte erfragen Sie bei der Gemeindeverwaltung die zuständige Entsorgungsstelle.

Für alle anderen Länder: Bitte beachten Sie die lokalen Entsorgungsrichtlinien/-Gesetze bezüglich elektrischen und elektronischen Equipments.

Wichtige Informationen. Die Farben und Verzierungen können abweichen.

Plastikhalterungen und Aufkleber bitte vor der Nutzung des Produktes entfernen.

Dieses Produkt stimmt mit allen Standards, die Kinder ab 14 und älter betreffen, überein. Dieses Produkt ist nicht geeignet für den Gebrauch von Kindern, die jünger als 14 Jahre sind.

**[www.thrustmaster.com](http://www.thrustmaster.com)**

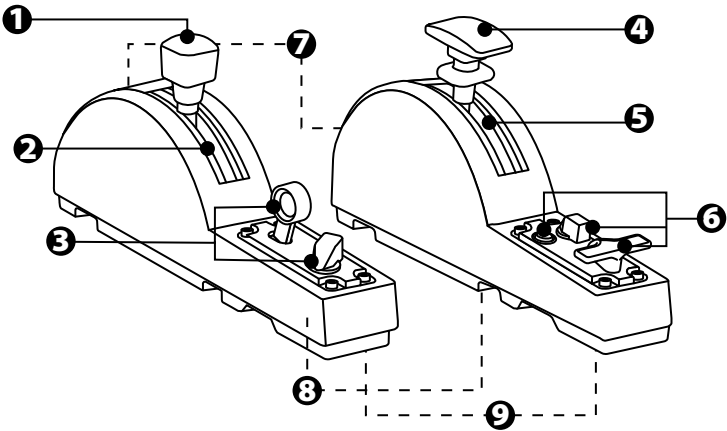
Nur in der EU und der Türkei anwendbar

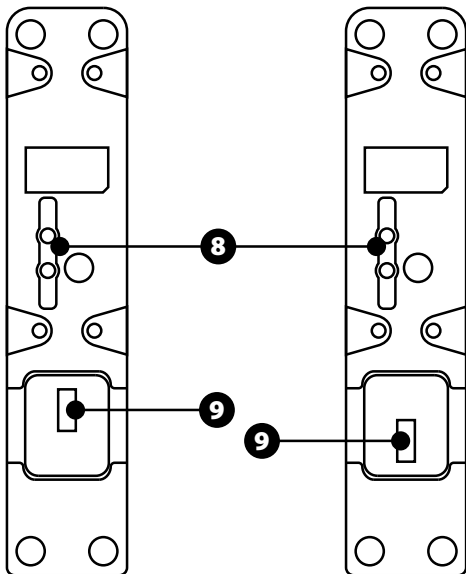


# TCA QUADRANT ADD-ON AIRBUS EDITION

Handleiding

## TECHNISCHE KENMERKEN

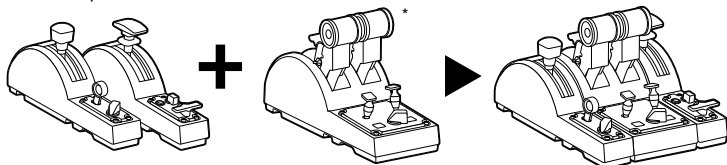




- |   |   |
|---|---|
| <ol style="list-style-type: none"> <li>1. Luchtrem-as</li> <li>2. 4 standen op as + 5 virtuele drukknoppen</li> <li>3. 6 actiedrukknoppen</li> <li>4. Kleppen-as</li> <li>5. 4 standen op as</li> </ol> | <ol style="list-style-type: none"> <li>6. 4 actiedrukknoppen</li> <li>7. Bout voor afstellen van weerstand op elke module</li> <li>8. Mechanisme voor uit/inschakelen van standen op elke as</li> <li>9. SATA-connectors voor de TCA Quadrant Airbus Edition (worden apart verkocht)</li> </ol> |
|---|---|

# DE TCA QUADRANT ADD-ON AIRBUS EDITION-MODULES AANSLUITEN OP DE TCA QUADRANT AIRBUS EDITION\*

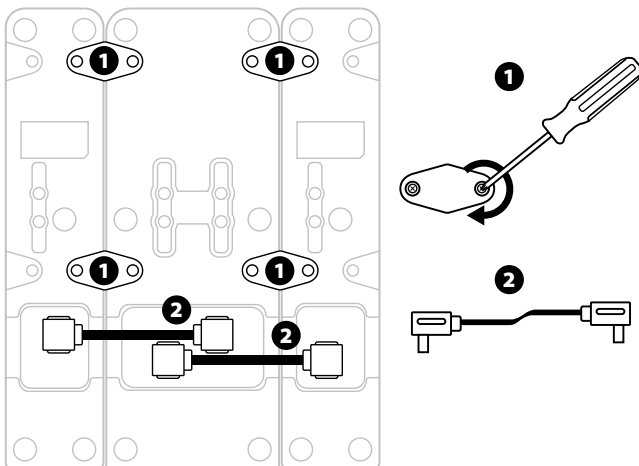
\*Worden apart verkocht

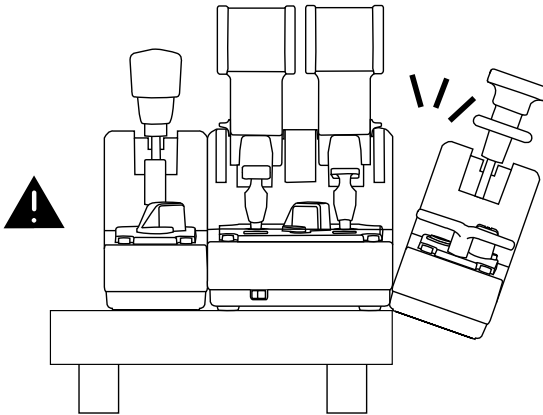
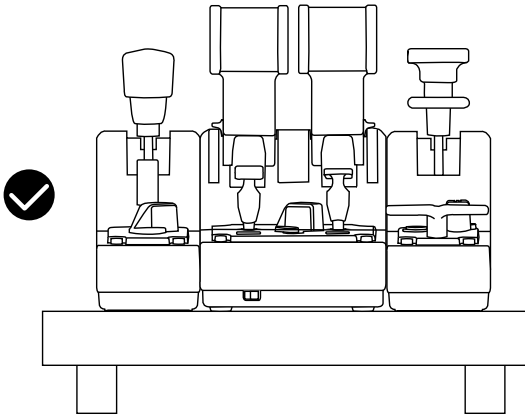


Om de TCA Quadrant Add-On Airbus Edition te kunnen gebruiken, moet u in het bezit zijn van een TCA Quadrant Airbus Edition (wordt apart verkocht). De TCA Quadrant Add-On Airbus Edition-modules zijn een uitbreiding voor de TCA Quadrant Airbus Edition-throttle-quadrant en werken alleen wanneer ze zijn aangesloten op beide kanten van de TCA Quadrant Airbus Edition.

Dankzij deze modulariteit krijgt u de beschikking over nieuwe assen en actiedrukknoppen, en verbetert de kinematica voor de TCA Quadrant Airbus Edition-throttle-quadrant bij het opstijgen, in de lucht en bij het landen.

1. Leg alle producten op hun kop, zoek een passende maat schroevendraaier met de juiste kop (niet meegeleverd) en monteer alle vier de onderdelen die zijn meegeleverd bij de TCA Quadrant Airbus Edition en de TCA Quadrant Add-On Airbus Edition-modules.
2. Sluit de luchtremmodule aan de linkerkant van de TCA Quadrant Airbus Edition aan en de kleppenmodule aan de rechterkant met behulp van de SATA-kabels die zijn meegeleverd bij de TCA Quadrant Add-On Airbus Edition.





- Gebruik om schade te voorkomen altijd een schroevendraaier met de correcte maat en kop (niet meegeleverd) voor het los/vastdraaien van de bouten.
- Gebruik alleen de door Thrustmaster meegeleverde officiële kabels. Hiermee kan wanneer nodig de firmware van de TCA Quadrant Airbus Edition worden bijgewerkt.
- Plaats de TCA Quadrant Airbus Edition nooit zo dat een van de TCA Quadrant Add-On Airbus Edition-modules aan of over de rand hangt van een tafel of werkblad.

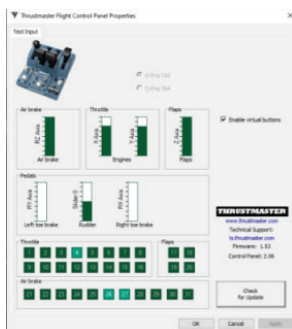
## INSTALLATIE OP DE PC

1. Ga naar <https://support.thrustmaster.com>. Klik op **Joysticks / TCA Quadrant Airbus Edition** (of **TCA Quadrant Add-On Airbus Edition**) en selecteer **Drivers**. Download en installeer de PC-driver en de speciaal aangepaste interface voor het Windows-configuratiescherm.
2. Nadat de PC-driver is geïnstalleerd, sluit u de USB-connector voor de TCA Quadrant Airbus Edition aan op een van de USB-poorten van uw PC.
3. Voor toegang tot het Configuratiescherm klikt u op **Start / Thrustmaster / Configuratiescherm** (in Windows® 10 / 8.1 / 8).

Het dialoogvenster **Spelbesturingen** verschijnt.

Dit apparaat vindt u op het scherm onder de naam **TCA Q-Eng 1&2** (of **TCA Q-Eng 3&4**, afhankelijk van de stand van de selectieschakelaar voor de motoren [5] op de TCA Quadrant Airbus Edition), samen met de **OK**-status.

4. Klik in het dialoogvenster **Spelbesturingen** op **Kenmerken** om alle functies te bekijken en te testen, inclusief de functies die bij de TCA Quadrant Add-On Airbus Edition-modules horen.



**Enable virtual buttons (Virtuele drukknoppen inschakelen):** Met deze functie schakelt u de virtuele drukknoppen in of uit die beschikbaar zijn op de assen voor throttle-quadrant en de luchtremmodule. Klik op **Apply (Toepassen)** nadat u de gewenste modus hebt geselecteerd.

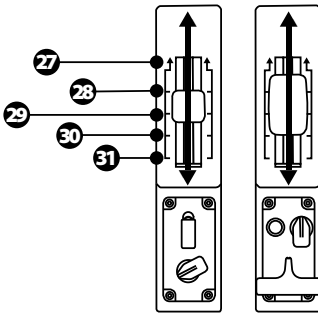
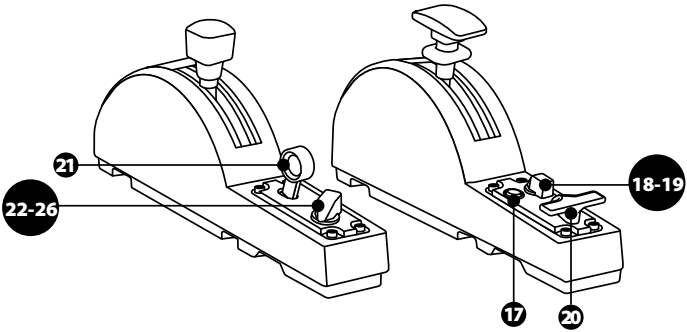
**Nu kan er gespeeld worden!**



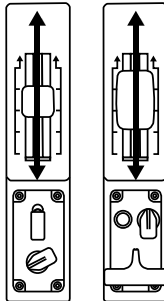
- Om de TCA Quadrant Add-On Airbus Edition te kunnen gebruiken, moet u in het bezit zijn van een TCA Quadrant Airbus Edition (wordt apart verkocht).
- Ga naar <https://support.thrustmaster.com> om de bundel met de drivers te downloaden waarmee u de firmware van het product kunt bijwerken om nog beter te kunnen profiteren van de functies van het product.



# MAPPING VAN 15 DRUKKNOPPEN EN 2 ASSEN VAN DE TCA QUADRANT ADD-ON AIRBUS EDITION



0 up  
ZR  
65536 down



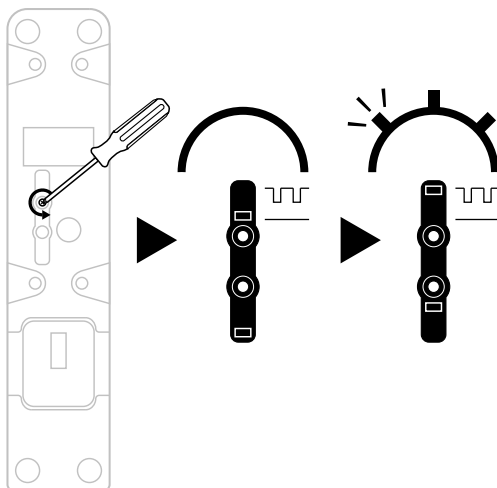
0 up  
Z  
65536 down

## DE ASSEN AANPASSEN OP DE TCA QUADRANT ADD-ON AIRBUS EDITION-MODULES

De TCA Quadrant Add-On Airbus Edition-modules hebben mechanische selectieschakelaars voor het uitschakelen van de standen/inkepingen op elke as. Als u deze uitschakelt, hebt u gladde assen maar behoudt u de virtuele drukknoppen 27 t/m 31 op de luchtremmodule.

Met deze optie past u hoe de besturing van het toestel aanvoelt aan het type vliegtuig aan dat u gebruikt in uw simulatie (lijntoestel of burgerluchtvaart).

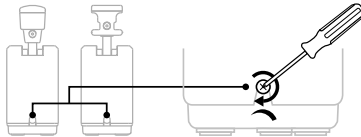
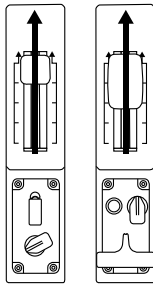
1. Zet de TCA Quadrant Add-On Airbus Edition-modules op hun kop en draai met een passende schroevendraaier (niet meegeleverd) de twee bouten los van elke selectieschakelaar.
2. Verwissel de plaats van de selectieschakelaars met behulp van de indicaties. U kiest hiermee tussen een gladde as of een as met standen/uitkepingen, voor elke as op de TCA Quadrant Add-On Airbus Edition-modules.



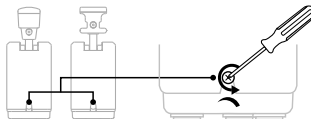
# DE FRICTIE AANPASSEN

## BELANGRIJKE OPMERKINGEN:

- De frictie op de TCA Quadrant Add-On Airbus Edition-modules is standaard ingesteld op 50%.
  - Gebruik een passende schroevendraaier (niet meegeleverd) , of de dwarsstang meegeleverd bij de TCA Quadrant Airbus Edition om de frictiestelbout exact zo af te stellen dat deze de gewenste frictie geeft.
1. Als u beide thrust-hendels helemaal naar hun maximumwaarden duwt, krijgt u toegang tot de frictiestelbout achterop de TCA Quadrant Add-On Airbus Edition.
  2. Draai de frictiestelbout rechtsom (met de wijzers van de klok mee) om de frictie te verhogen.



3. Draai de frictiestelbout linksom (tegen de wijzers van de klok in) om de frictie te verlagen.

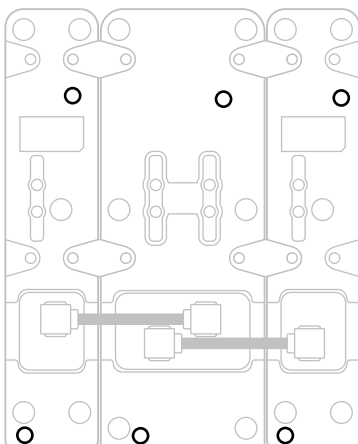


- Om beschadiging van het frictiesysteem te voorkomen, mag u de stelbouten niet te strak aandraaien. Stop het aandraaien als u weerstand voelt.
- Draai de stelbouten nooit helemaal los om te voorkomen dat de bouten in de behuizing van een van de TCA Quadrant Add-On Airbus Edition-modules valt.

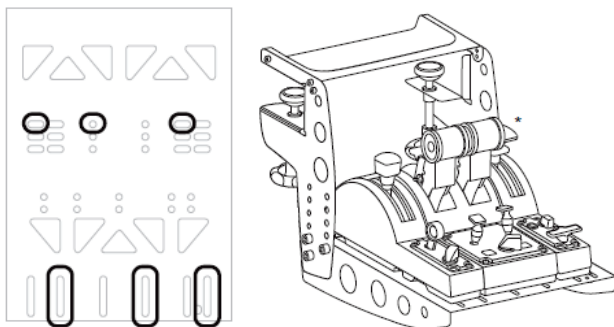
## BEVESTIGEN VAN DE TCA QUADRANT AIRBUS EDITION\* EN DE TCA QUADRANT ADD-ON AIRBUS EDITION OP DE TM FLYING CLAMP\*, EEN COCKPIT\* OF EEN ANDER VAST OPPERVLAK

*\*Worden apart verkocht*

Gebruik de 6 schroefgaten onderop de TCA Quadrant Airbus Edition, wanneer bevestigd aan de TCA Quadrant Add-On Airbus Edition-modules, om met behulp van M6-bouten (niet meegeleverd) alle apparaten aan een vast oppervlak te bevestigen.



Montageschema voor de TM Flying Clamp\* (\*wordt apart verkocht):



# T.A.R.G.E.T GEAVANCEERDE PROGRAMMEERSOFTWARE

(Thrustmaster Advanced pROgramming Graphical EdiTOr)

Ga naar <https://support.thrustmaster.com>. Klik op **Joysticks / TCA Quadrant Airbus Edition** (of **TCA Quadrant Add-On Airbus Edition**) en selecteer vervolgens **Software**. Download en installeer de T.A.R.G.E.T geavanceerde programmeersoftware.

Belangrijkste kenmerken van T.A.R.G.E.T:

- Verschillende mogelijke configuraties voor de assen.
- Verschillende mogelijke programmeerniveaus: Basic, Advanced en Script.
- Gebruik van Drag & Drop.
- De mogelijkheid om de TCA Quadrant Airbus Edition-throttle-quadrant te combineren met andere Thrustmaster-joysticks (HOTAS Cougar, HOTAS Warthog, T.16000M, MFD Cougar Pack die allemaal compatibel zijn met T.A.R.G.E.T) waardoor ze herkend worden als een enkel USB-apparaat.
- Toegang tot geavanceerde profielen gemaakt door de Thrustmaster-community.



## PROBLEMEN OPLOSSEN EN WAARSCHUWINGEN



Ga naar <https://support.thrustmaster.com> om de bundel met de drivers te downloaden waarmee u de firmware van het product kunt bijwerken om nog beter te kunnen profiteren van de functies van het product.

- **Mijn TCA Quadrant Add-On Airbus Edition-modules werken niet correct of lijken niet gekalibreerd te zijn wanneer ze zijn aangesloten op de TCA Quadrant Airbus Edition.**

- Ga naar <https://support.thrustmaster.com> om te controleren of er een recentere firmwareversie beschikbaar is. Is dat het geval, volg dan de instructies voor het downloaden en installeren van de firmware.
- Zet uw PC uit en maak de USB-connector voor de TCA Quadrant Airbus Edition-throttle-quadrant los. Controleer dat beide SATA-kabels correct zijn aangesloten op de apparaten.
- Zet uw PC uit en maak de USB-connector voor de TCA Quadrant Airbus Edition-throttle-quadrant los. Sluit vervolgens de USB-connector weer aan, zet de PC weer aan en herstart de game.
- Wanneer u de USB-connector aansluit op de TCA Quadrant Airbus Edition-throttle-quadrant, moet de roeras altijd in het midden staan als u het TFRP-roersysteem (wordt apart verkocht) gebruikt en en mag u geen voet op de pedalen van het roersysteem hebben.

- **Ik kan mijn TCA Quadrant Add-On Airbus Edition-modules niet configureren met mijn TCA Quadrant Airbus Edition-throttle-quadrant.**

- Selecteer de meest geschikte configuratie in het menu Options / Controller / Gamepad of Joystick van de game, of configureer de opties van de controller helemaal opnieuw.
- Ga naar <https://support.thrustmaster.com> om te controleren of er een recentere firmwareversie beschikbaar is. Is dat het geval, volg dan de instructies voor het downloaden en installeren van de firmware.
- Raadpleeg de handleiding of de online help van de game voor meer informatie.
- U kunt ook de T.A.R.G.E.T (Thrustmaster Advanced pROgramming Graphical EdiTor) geavanceerde programmeersoftware gebruiken.

- **Mijn TCA Quadrant Add-On Airbus Edition-module reageren te gevoelig of niet gevoelig genoeg.**

- De assen van de TCA Quadrant Add-On Airbus Edition-modules kalibreren zichzelf automatisch na enkele bewegingen en nadat ze de fysieke eindstops voor de assen hebben bereikt.
- Pas in het menu Options / Controller / Gamepad of Joystick van de game de gevoeligheid en dode zones aan voor de controller (als deze opties beschikbaar zijn).
- U kunt ook de T.A.R.G.E.T (Thrustmaster Advanced pROgramming Graphical EdiTor) geavanceerde programmeersoftware gebruiken.



Deze apparaten zijn louter bestemd voor recreatief gamen. Het is ten zeerste verboden deze apparaten te gebruiken voor professionele trainingsactiviteiten.

## **Informatie met betrekking tot kopersgarantie**

Wereldwijd garandeert Guillemot Corporation S.A., het statutair adres gevestigd aan de Place du Granier, B.P. 97143, 35571 Chantepie, Frankrijk, (hierna te noemen "Guillemot") aan de koper dat dit Thrustmaster-product vrij zal zijn van materiaal- en fabricagefouten gedurende een garantieperiode gelijk aan de tijd maximaal vereist om een restitutie/vervanging voor dit product te claimen. In landen van de Europese Unie komt dit overeen met een periode van twee (2) jaar vanaf het moment van levering van het Thrustmaster-product. In andere landen komt de garantieperiode overeen met de tijd maximaal vereist om een restitutie/vervanging voor dit Thrustmaster-product te claimen zoals wettelijk is vastgelegd in het land waarin de koper woonachtig was op de datum van aankoop van het Thrustmaster-product. Indien een dergelijk claimrecht niet wettelijk is vastgelegd in het betreffende land, geldt een garantieperiode van één (1) jaar vanaf datum aankoop van het Thrustmaster-product.

Indien u in de garantieperiode een defect meent te constateren aan dit product, neem dan onmiddellijk contact op met Technical Support die u zal informeren over de te volgen procedure. Als het defect wordt bevestigd, dient het product te worden geretourneerd naar de plaats van aankoop (of een andere locatie die wordt opgegeven door Technical Support). Binnen het gestelde van deze garantie wordt het defecte product van de koper gerepareerd of vervangen, zulks ter beoordeling van Technical Support. Indien het Thrustmaster-product tijdens de garantieperiode is onderworpen aan een dergelijk herstel, wordt elke periode van ten minste zeven (7) dagen waarin het product niet in gebruik is, opgeteld bij de resten de garantieperiode (deze periode loopt vanaf de datum van verzoek van de consument voor interventie of vanaf de datum waarop het product in kwestie beschikbaar is gesteld voor herstel als de datum waarop het product ter beschikking wordt gesteld voor herstel later is dan de datum van het verzoek om interventie). Indien toegestaan door van toepassing zijnde wetgeving, beperkt de volledige aansprakelijkheid van Guillemot en haar dochterondernemingen (inclusief de aansprakelijkheid voor vervolgschade) zich tot het repareren of vervangen van het Thrustmaster-product. Indien toegestaan door van toepassing zijnde wetgeving, wijst Guillemot elke garantie af met betrekking tot verhandelbaarheid of geschiktheid voor enig doel.

Deze garantie is niet van kracht: (1) indien het product aangepast, geopend of gewijzigd is, of beschadigd is ten gevolge van oneigenlijk of onvoorzichtig gebruik, verwaarlozing, een ongeluk, normale slijtage, of enige andere oorzaak die niet gerelateerd is aan een materiaal- of fabricagefout (inclusief maar niet beperkt tot het combineren van het Thrustmaster-product met enig ongeschikt element waaronder in het bijzonder voedingsadapters, oplaadbare batterijen, opladers of enig ander element niet geleverd door Guillemot voor dit product); (2) als het product is gebruikt voor enig ander doel dan thuisgebruik, zoals maar niet exclusief een professioneel of commercieel doel (bijvoorbeeld game rooms, training, wedstrijden); (3) indien u zich niet houdt aan de instructies zoals verstrekt door Technical Support; (4) op software die onder een specifieke garantie valt; (5) op verbruik artikelen (elementen die tijdens de levensduur van het product worden vervangen zoals bijvoorbeeld batterijen of pads van een headset of koptelefoon); (6) op accessoires (zoals bijvoorbeeld kabels, behuizingen, hoesjes, etu's, draagtassen of polsbandjes); (7) indien het product werd verkocht op een openbare veiling.

Deze garantie is niet overdraagbaar.

De wettelijke rechten van de koper die in zijn/haar land van toepassing zijn op de verkoop van consumentenproducten worden op generlei wijze door deze garantie beperkt.

### Aanvullende garantiebepalingen

Gedurende de garantieperiode zal Guillemot in principe nooit reserveonderdelen leveren omdat Technical Support de enige partij is die bevoegd is een Thrustmaster-product te openen en/of te herstellen (met uitzondering van een herstelprocedure die de klant door Technical Support gevraagd wordt uit te voeren met behulp van schriftelijke instructies – omdat deze procedure bijvoorbeeld eenvoudig is en het herstelproces niet vertrouwelijk is – en door het verstrekken aan de consument van de benodigde onderdelen, indien van toepassing).

Gezien de innovatiecyclus en om haar knowhow en handelsgeheimen te beschermen, zal Guillemot in principe nooit een herstelbeschrijving of reserveonderdelen verstrekken voor een Thrustmaster-product waarvan de garantieperiode is verstreken.

### Aansprakelijkheid

Indien toegestaan door van toepassing zijnde wetgeving, wijzen Guillemot Corporation S.A. (hierna te noemen "Guillemot") en haar dochterondernemingen alle aansprakelijkheid af voor enige schade veroorzaakt door één van de volgende oorzaken: (1) indien het product aangepast, geopend of gewijzigd is; (2) de montage-instructies niet zijn opgevolgd; (3) oneigenlijk of onvoorzichtig gebruik, verwaarlozing, een ongeluk (bijvoorbeeld stoten); (4) normale slijtage; (5) het gebruik van het product voor enig ander doel dan thuisgebruik, zoals maar niet exclusief een professioneel of commercieel doel (bijvoorbeeld game rooms, training, wedstrijden). Indien toegestaan onder van toepassing zijnde wetgeving, wijzen Guillemot en haar dochterondernemingen alle aansprakelijkheid af voor enige schade aan dit product niet gerelateerd aan een materiaal- of fabricagefout (inclusief maar niet beperkt tot enige schade direct of indirect veroorzaakt door enige software, of door het combineren van het Thrustmaster-product met enig ongeschikt element waaronder in het bijzonder voedingsadapters, oplaadbare batterijen, opladers of enig ander element niet geleverd door Guillemot voor dit product).

**THRUSTMASTER®**

**TECHNISCHE ONDERSTEUNING**

<https://support.thrustmaster.com/>





## COPYRIGHT

© 2020 Guillemot Corporation S.A. Alle rechten voorbehouden. Thrustmaster® is een geregistreerd handelsmerk van Guillemot Corporation S.A.

AIRBUS, haar logo en product- en servicemarkeringen zijn geregistreerde handelsmerken van Airbus. Alle rechten voorbehouden.

© Airbus 2020. Alle rechten voorbehouden. Met officiële licentie van Airbus.

Alle andere handelsmerken zijn eigendom van de respectieve eigenaren. Afbeeldingen zijn niet bindend. Inhoud, ontwerp en specificaties kunnen zonder kennisgeving vooraf worden gewijzigd en kunnen per land verschillen. Geproduceerd in China.

## AANBEVELINGEN VOOR DE BESCHERMING VAN HET MILIEU



\* In de Europese Unie: Gooi dit product na het einde van de levensduur niet weg met het normale afval, maar breng het naar het door uw gemeente aangewezen inzamelpunt voor elektrische en/of computerapparatuur.

Ter herinnering is hiertoe op het product, de gebruikshandleiding of de verpakking een symbool aangebracht.

De meeste materialen kunnen worden gerecycled. Door recycling en andere methoden voor verantwoorde verwerking van afgedankte elektrische en elektronische apparaten kunt u een belangrijke bijdrage leveren aan de bescherming van het milieu.

Neem contact op met uw gemeente voor informatie over een inzamelpunt bij u in de buurt.

In alle andere landen: houd u aan de plaatselijk milieuwetgeving voor elektrische en elektronische apparaten.

Bewaar deze informatie. De kleuren en decoraties kunnen variëren.

Plastic bevestigingen en hechtmaterialen moeten van het product worden verwijderd voordat het wordt gebruikt.

Dit product voldoet aan alle normen voor kinderen van 14 jaar en ouder. Dit product is niet geschikt voor gebruik door kinderen jonger dan 14 jaar.

**[www.thrustmaster.com](http://www.thrustmaster.com)**

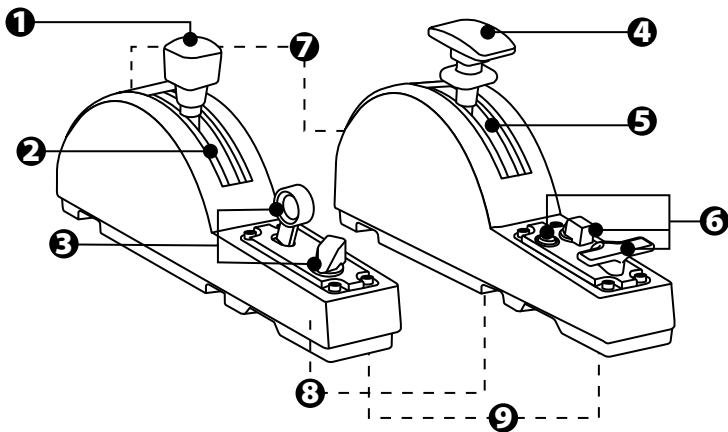
*\*Alleen van toepassing in de EU en Turkije*

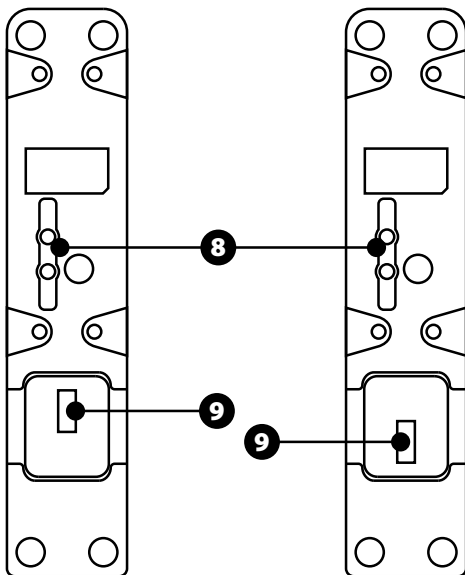


# TCA QUADRANT ADD-ON AIRBUS EDITION

Manuale d'uso

## CARATTERISTICHE TECNICHE

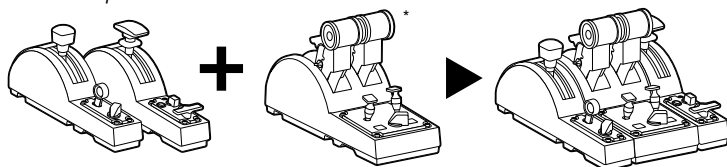




- |   |  |
|---|--|
| 1. Asse aerofreno                             | 6. 4 pulsanti azione   |
| 2. 4 fermi lungo l'asse + 5 pulsanti virtuali | 7. Vite per la regolazione della resistenza su ciascun modulo              |
| 3. 6 pulsanti azione                          | 8. Meccanismo per attivare/disattivare i fermi su ciascun asse             |
| 4. Asse flap                                  | 9. Connettori SATA per TCA Quadrant Airbus Edition (venduto separatamente) |
| 5. 4 fermi lungo l'asse                       |  |

# COLLEGAMENTO DEI MODULI TCA QUADRANT ADD-ON AIRBUS EDITION AL TCA QUADRANT AIRBUS EDITION\*

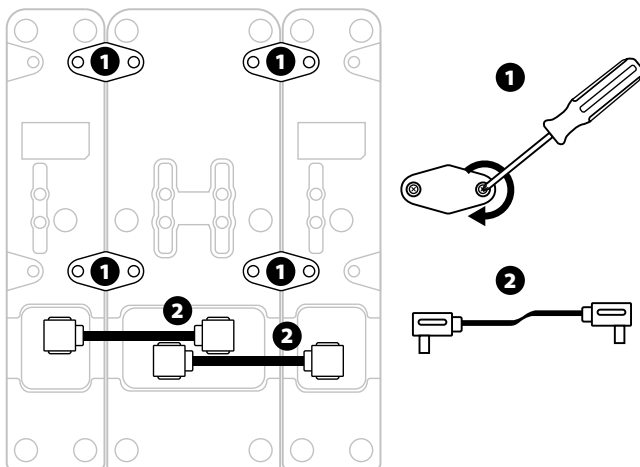
\*Venduto separatamente

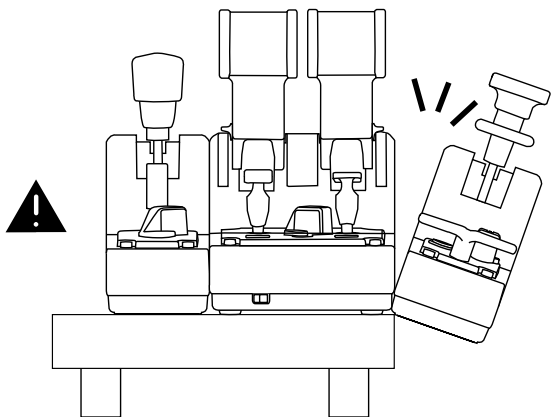
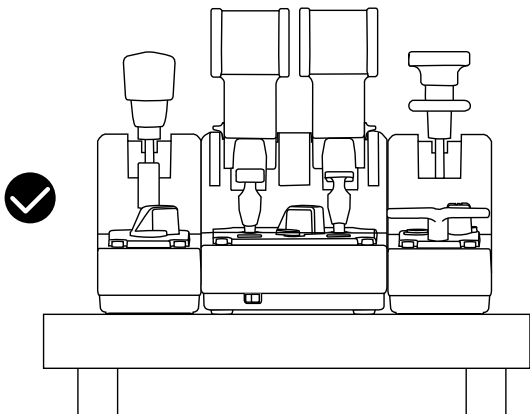


Per poter utilizzare i moduli TCA Quadrant Add-On Airbus Edition, devi disporre di un TCA Quadrant Airbus Edition (venduto separatamente). I moduli TCA Quadrant Add-On Airbus Edition sono un'estensione del quadrante manetta TCA Quadrant Airbus Edition e funzionano soltanto se collegati su entrambi i lati del TCA Quadrant Airbus Edition.

Questa modularità aggiunge nuovi assi e pulsanti azione e ti permette di estendere le cinematiche (decollo, volo e atterraggio) del TCA Quadrant Airbus Edition.

1. Ribalta tutte le periferiche e utilizzando un cacciavite dalla punta adatta (non incluso), avvita le quattro placchette di fissaggio accluse al TCA Quadrant Airbus Edition e ai moduli TCA Quadrant Add-On Airbus Edition, unendo insieme il tutto.
2. Collega il modulo aerofreno a sinistra del TCA Quadrant Airbus Edition e il modulo flap a destra, utilizzando i cavi SATA acclusi al TCA Quadrant Add-On Airbus Edition.





- Per non rischiare di danneggiare i prodotti, stringi/allenta le viti utilizzando un cacciavite dalla punta adatta (non incluso).
- Usa solo i cavi ufficiali forniti da Thrustmaster: così facendo, potrai aggiornare il firmware del TCA Quadrant Airbus Edition, quando necessario.
- Non collocare mai il TCA Quadrant Airbus Edition in una posizione in cui uno dei due moduli TCA Quadrant Add-On Airbus Edition si trovi nelle vicinanze o al di là del bordo di un tavolo o di una scrivania.

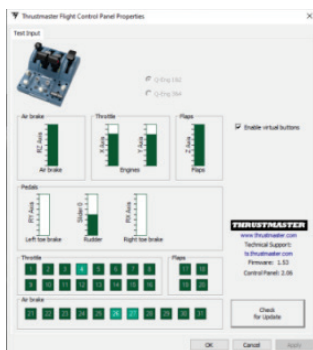
## INSTALLAZIONE SU PC

1. Visita il sito <https://support.thrustmaster.com>. Clicca su **Joystick / TCA Quadrant Airbus Edition** (oppure **TCA Quadrant Add-On Airbus Edition**) e seleziona **Driver**. Scarica e installa il driver PC e la relativa interfaccia personalizzata per il Pannello di Controllo di Windows.
2. Dopo aver installato il driver PC, collega il connettore USB del TCA Quadrant Airbus Edition a una porta USB del tuo PC.
3. Per accedere al Pannello di controllo, Clicca su **Start / App / Thrustmaster / Pannello di controllo** (in Windows® 10 / 8.1 / 8).

Apparirà la finestra di dialogo **Periferiche di gioco**.

L'accessorio appare sullo schermo con il nome di **TCA Q-Eng 1&2** (oppure **TCA Q-Eng 3&4**, a seconda della posizione del selettore per i motori [5] del TCA Quadrant Airbus Edition), avente lo stato **OK**.

4. Nella finestra di dialogo **Periferiche di gioco**, clicca su **Proprietà** per testare e visualizzare tutte le funzioni, comprese quelle relative ai moduli TCA Quadrant Add-On Airbus Edition.



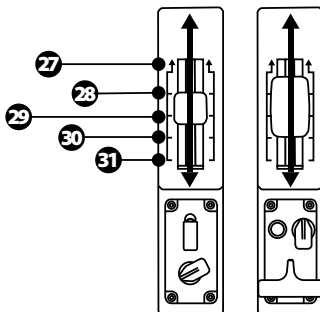
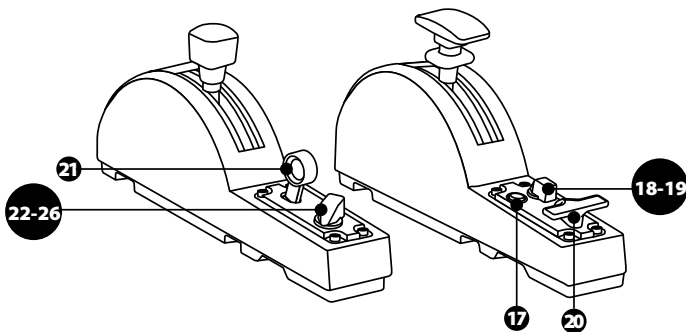
**Enable virtual buttons (Attiva pulsanti virtuali):** questa funzione ti permette di attivare o disattivare i pulsanti virtuali disponibili sugli assi del quadrante manetta e del modulo aerofreno. Dopo aver selezionato la modalità desiderata, clicca su **Apply (Applica)**.

**Ora sei pronto per giocare!**

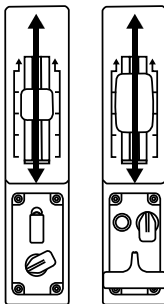


- Per poter utilizzare i moduli TCA Quadrant Add-On Airbus Edition, devi disporre di un TCA Quadrant Airbus Edition (venduto separatamente).
- Visita il sito <https://support.thrustmaster.com> per scaricare il pacchetto contenente i driver che ti permettono di aggiornare il firmware del prodotto, garantendoti un controllo ancor più particolareggiato sulle funzionalità del prodotto.

# MAPPATURA DEI 15 PULSANTIE DEI 2 ASSI DEI MODULITCA QUADRANT ADD-ON AIRBUS EDITION



0 up  
ZR  
65536 down



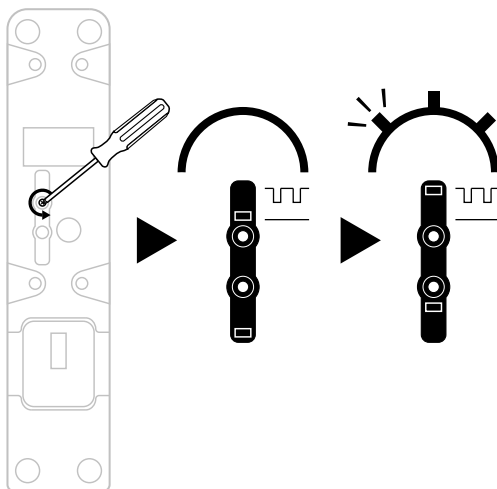
0 up  
Z  
65536 down

## MODIFICARE GLI ASSI DEI MODULI TCA QUADRANT ADD-ON AIRBUS EDITION

I moduli TCA Quadrant Add-On Airbus Edition sono dotati di selettori meccanici che ti permettono di disattivare i fermi/le tacche su ciascun asse. In questo modo, avrai assi più fluidi, conservando nel contempo i pulsanti virtuali dal 27 al 31 sul modulo aerofreno.

Questa opzione ti permette di cambiare le sensazioni di pilotaggio in base al tipo di aereo utilizzato nella tua simulazione (aereo commerciale o civile).

1. Ribalta i moduli TCA Quadrant Add-On Airbus Edition e svita le due viti di ciascun selettore, utilizzando un cacciavite dalla punta adatta (non incluso).
2. Scambia la posizione dei selettori, utilizzando gli indicatori come guida: in questo modo, per ciascuno degli assi dei moduli TCA Quadrant Add-On Airbus Edition, potrai scegliere se avere un asse fluido piuttosto che un asse con fermi/tacche.



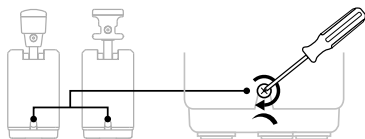
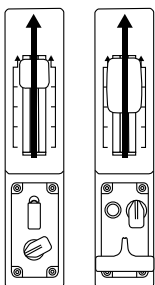


## REGOLAZIONE DELLA RESISTENZA

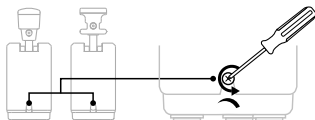
### NOTE IMPORTANTI:

- Il valore predefinito della resistenza dei moduli del TCA Quadrant Add-On Airbus Edition è pari al 50%.
- Per poter effettuare delle regolazioni precise in base alle tue preferenze, puoi ruotare le viti di regolazione della resistenza, utilizzando un cacciavite dalla punta adatta (non incluso); oppure la barra orizzontale acclusa al TCA Quadrant Airbus Edition.

1. Porta in avanti, fino in fondo, le leve di entrambi i moduli TCA Quadrant Add-On Airbus Edition, quindi accedi alla vite di regolazione della resistenza presente sul retro di ciascun modulo.
2. Per aumentare la resistenza, ruota in senso orario la vite di regolazione della resistenza.



3. Per ridurre la resistenza, ruota in senso antiorario la vite di regolazione della resistenza.

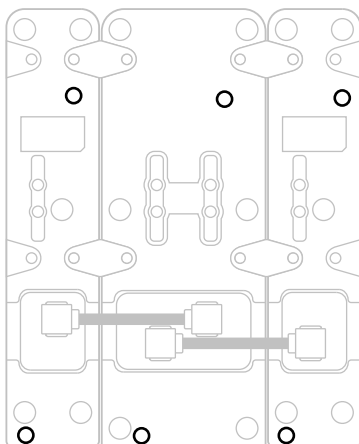


- Per non rischiare di danneggiare il sistema di resistenza, fa attenzione a non stringere troppo le viti di regolazione: non appena avverti della resistenza, smetti subito di ruotarle.
- Non svitare mai del tutto le viti di regolazione, altrimenti queste potrebbero cadere all'interno dei moduli TCA Quadrant Add-On Airbus Edition.

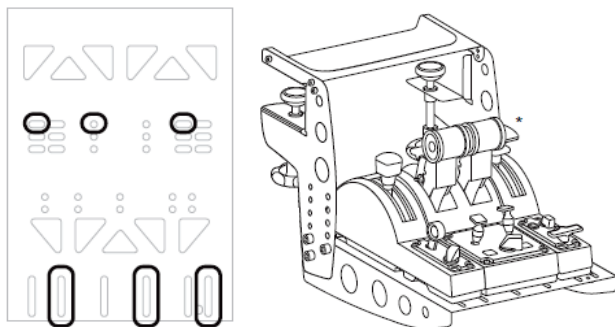
# FISSAGGIO DEL TCA QUADRANT AIRBUS EDITION\* E DEI MODULI TCA QUADRANT ADD-ON AIRBUS EDITION ALLA TM FLYING CLAMP\*, A UN ABITACOLO\* O AD ALTRA SUPERFICIE STABILE

*\*Venduti separatamente*

Per fissare tutte le periferiche a una superficie stabile, puoi sfruttare i 6 fori presenti nella parte inferiore del TCA Quadrant Airbus Edition, quando quest'ultimo è connesso ai moduli TCA Quadrant Add-On Airbus Edition, utilizzando delle viti M6 (non incluse).



Schema di fissaggio alla TM Flying Clamp\* (\*venduta separatamente):



## SOFTWARE DI PROGRAMMAZIONE AVANZATA T.A.R.G.E.T (Thrustmaster Advanced pRogramming Graphical EdiT or)

Visita il sito <https://support.thrustmaster.com>. Clicca su **Joystick / TCA Quadrant Airbus Edition** (oppure **TCA Quadrant Add-On Airbus Edition**), quindi scegli **Software**. Scarica e installa il software di programmazione avanzata T.A.R.G.E.T.

Funzioni principali di T.A.R.G.E.T:

- Diverse configurazioni possibili per gli assi.
- Diversi livelli di programmazione possibili: Basic, Advanced e Script.
- Uso del principio del Drag and Drop.
- Possibilità di combinare il quadrante manetta TCA Quadrant Airbus Edition con svariati joystick Thrustmaster (HOTAS Cougar, HOTAS Warthog, T.16000M, MFD Cougar Pack, tutti compatibili anche con T.A.R.G.E.T): in questo modo, verranno riconosciuti come un'unica periferica USB.
- Accesso a profili avanzati, creati dalla community Thrustmaster.



## AVVISI E RISOLUZIONE DEI PROBLEMI



Visita il sito <https://support.thrustmaster.com> per scaricare il pacchetto contenente i driver che ti permettono di aggiornare il firmware del prodotto, garantendoti un controllo ancor più particolareggiato sulle funzionalità del prodotto.

• **I miei moduli TCA Quadrant Add-On Airbus Edition non funzionano correttamente o sembrano essere mal calibrati, quando sono connessi al TCA Quadrant Airbus Edition.**

- Visita il sito <https://support.thrustmaster.com> per verificare se sia disponibile una versione più recente del firmware: se così fosse, segui le istruzioni per scaricarla e installarla.
- Spegni il tuo PC e scollega il connettore USB del quadrante manetta TCA Quadrant Airbus Edition. Assicurati che entrambi i cavi SATA siano correttamente connessi alle periferiche.
- Spegni il tuo PC e scollega il connettore USB del quadrante manetta TCA Quadrant Airbus Edition. Dopodiché, ricollega il connettore USB, riaccendi il tuo PC e riavvia il tuo gioco.
- Quando ricollegli il connettore USB del quadrante manetta TCA Quadrant Airbus Edition, se stai utilizzando il sistema di timonaggio TFRP (venduto separatamente), lascia sempre l'asse del timone al centro: mentre svolgi questa operazione, non poggiare mai i tuoi piedi sui pedali del sistema di timonaggio TFRP.

• **Non riesco a configurare i miei moduli TCA Quadrant Add-On Airbus Edition con il mio quadrante manetta TCA Quadrant Airbus Edition.**

- Nel menu Opzioni / Controller / Gamepad o Joystick del tuo gioco, seleziona la configurazione corretta o riconfigura completamente le opzioni del controller.
- Visita il sito <https://support.thrustmaster.com> per verificare se sia disponibile una versione più recente del firmware: se così fosse, segui le istruzioni per scaricarla e installarla.
- Per ulteriori informazioni, consulta il manuale d'uso o l'aiuto online del tuo gioco.
- Puoi anche utilizzare il software di programmazione avanzata T.A.R.G.E.T (Thrustmaster Advanced pRogramming Graphical EdiTοr).

• **I miei moduli TCA Quadrant Add-On Airbus Edition sono troppo sensibili o non abbastanza sensibili.**

- Gli assi dei moduli TCA Quadrant Add-On Airbus Edition si calibrano automaticamente dopo alcuni istanti e dopo che vengono raggiunte le estremità fisiche degli assi stessi.
- Nel menu Opzioni / Controller / Gamepad o Joystick del tuo gioco, regola la sensibilità e le zone morte del tuo controller (qualora queste opzioni fossero disponibili).
- Puoi anche utilizzare il software di programmazione avanzata T.A.R.G.E.T (Thrustmaster Advanced pRogramming Graphical EdiTοr).



Queste periferiche sono destinate esclusivamente a un uso per finalità di intrattenimento ludico. È severamente proibito utilizzare queste periferiche per attività di addestramento professionale.

## Informazioni sulla garanzia al consumatore

A livello mondiale, Guillemot Corporation S.A., avente sede legale in Place du Granier, B. P. 97143, 35571 Chantepie, Francia (d'ora in avanti "Guillemot") garantisce al consumatore che il presente prodotto Thrustmaster sarà privo di difetti relativi ai materiali e alla fabbricazione, per un periodo di garanzia corrispondente al limite temporale stabilito per la presentazione di un reclamo riguardante la conformità del prodotto in questione. Nei paesi della Comunità Europea, tale periodo equivale a due (2) anni a partire dalla consegna del prodotto Thrustmaster. In altri paesi, la durata della garanzia corrisponde al limite temporale stabilito per la presentazione di un reclamo riguardante la conformità del prodotto Thrustmaster in base alle leggi applicabili nel paese in cui il consumatore risiedeva alla data di acquisto del prodotto Thrustmaster (qualora nel paese in questione non esistesse alcuna norma a riguardo, il periodo di garanzia corrisponderà a un (1) anno a partire dalla data originale di acquisto del prodotto Thrustmaster).

Qualora, durante il periodo di garanzia, il prodotto dovesse apparire difettoso, contatti immediatamente l'Assistenza Tecnica, che le indicherà la procedura da seguire. Qualora il difetto dovesse essere confermato, il prodotto dovrà essere riportato al luogo di acquisto (o qualsiasi altro luogo indicato dall'Assistenza Tecnica).

Nel contesto della presente garanzia, il prodotto difettoso di proprietà del consumatore potrà essere sostituito o reso nuovamente funzionante, a discrezione dell'Assistenza Tecnica. Se, durante il periodo coperto dalla garanzia, il prodotto Thrustmaster fosse oggetto di tale rimessa in operatività, alla rimanente durata della garanzia dovrà essere aggiunto un periodo di almeno sette (7) giorni, durante il quale il prodotto risulta non utilizzabile (tale periodo intercorre dalla data della richiesta di intervento da parte del consumatore o dalla data in cui il prodotto in questione è reso disponibile per la rimessa in operatività, questo nel caso in cui tale data sia successiva alla data di richiesta di intervento). Qualora le leggi applicabili in materia lo consentano, la totale responsabilità di Guillemot e delle sue controllate (compresi i danni conseguenti) si limita alla rimessa in operatività o alla sostituzione del prodotto Thrustmaster. Qualora le leggi applicabili in materia consentano, Guillemot declina ogni garanzia sulla commerciabilità o la conformità a finalità particolari.

La presente garanzia non potrà essere applicata: (1) se il prodotto è stato modificato, aperto, alterato o ha subito danni derivanti da un uso inappropriato o non autorizzato, da negligenza, da un incidente, dalla semplice usura, o da qualsiasi altra causa non riconducibile a difetti nei materiali o nell'assemblaggio (compresi, ma non i soli, prodotti Thrustmaster combinati con elementi inadatti, tra cui, in particolare, batterie ricaricabili, caricatori o qualsiasi altro elemento non fornito da Guillemot per questo prodotto); (2) nel caso in cui il prodotto sia stato utilizzato per qualsiasi altro scopo al di fuori dell'uso domestico, comprese finalità professionali o commerciali (esempio: sale giochi, allenamenti, concorsi); (3) in caso di mancato rispetto delle istruzioni fornite dall'Assistenza Tecnica; (4) in caso di software, ovvero software soggetto a una specifica garanzia; (5) ai materiali di consumo (elementi che richiedono la loro sostituzione al termine della loro durata di esercizio come, ad esempio, batterie di tipo convenzionale o cuscinetti protettivi per auricolari o cuffie); (6) agli accessori (ad esempio, cavi, custodie, borsette, borse, cinturini); (7) se il prodotto è stato venduto ad un'asta pubblica.

La presente garanzia non è trasferibile.

I diritti legali del consumatore, stabiliti dalle leggi vigenti in materia di vendita di beni di consumo nel relativo paese, non vengono intaccati dalla presente garanzia.

### Disposizioni aggiuntive sulla garanzia

Per tutta la durata della garanzia, in linea di principio, Guillemot non fornirà alcuna parte di ricambio, in quanto la sola Assistenza Tecnica è la parte autorizzata ad aprire e/o rimettere in funzionamento tutti i prodotti Thrustmaster (fatta eccezione per eventuali procedure di rimessa in operatività che l'Assistenza Tecnica potrebbe richiedere al consumatore, attraverso istruzioni scritte – viste, ad esempio, la semplicità e la mancanza di riservatezza della procedura di rimessa in operatività – e fornendo al consumatore le necessarie parti di ricambio, se ve ne fosse l'esigenza).

Considerando i propri cicli di innovazione e per proteggere il proprio know-how e i propri segreti commerciali, in linea di principio, Guillemot non fornirà alcuna notifica o parte di ricambio finalizzata alla rimessa in attività di un qualunque prodotto o Thrustmaster il cui periodo di garanzia risultasse scaduto.

### Responsabilità

Qualora le leggi applicabili in materia lo consentano, Guillemot Corporation S. A. (d'ora in avanti "Guillemot") e le sue controllate declinano ogni responsabilità per qualsiasi danno derivante da almeno una delle seguenti condizioni: (1) il prodotto è stato modificato, aperto o alterato; (2) mancato rispetto delle istruzioni di installazione; (3) uso inappropriato o non permesso, negligenza, incidente (come, ad esempio, un impatto); (4) semplice usura; (5) utilizzo del prodotto per qualsiasi altro scopo al di fuori dell'uso domestico, comprese finalità professionali o commerciali (esempio: sale giochi, allenamenti, concorsi). Qualora le leggi applicabili in materia lo consentano, Guillemot e le sue controllate declinano ogni responsabilità per qualsiasi danno non riconducibile a difetti nei materiali o nella fabbricazione del prodotto (compresi, ma non i soli, potenziali danni causati direttamente o indirettamente da un qualunque software, oppure dall'uso del prodotto Thrustmaster in combinazione con elementi inadatti, tra cui, in particolare, batterie ricaricabili, caricatori o qualsiasi altro elemento non fornito da Guillemot per questo prodotto).

**THRUSTMASTER®**

**ASSISTENZA TECNICA**

<https://support.thrustmaster.com>



## COPYRIGHT

© 2020 Guillemot Corporation S.A. Tutti i diritti riservati. Thrustmaster® è un marchio registrato di proprietà di Guillemot Corporation S.A.

AIRBUS, il relativo logo e i marchi di suoi prodotti e servizi, sono marchi registrati di proprietà di Airbus. Tutti i diritti riservati.

© Airbus 2020. Tutti i diritti riservati. Accompagnato da licenza ufficiale Airbus.

Tutti gli altri marchi appartengono ai legittimi proprietari. Illustrazioni escluse. I contenuti, i design e le caratteristiche possono essere oggetto di modifiche senza preavviso e possono variare da un Paese all'altro. Fabbricato in Cina.

## RACCOMANDAZIONI SULLA TUTELA DELL'AMBIENTE



\* Nell'Unione Europea: Al termine della sua vita operativa, questo prodotto non dovrebbe essere gettato assieme ai comuni rifiuti, ma dovrebbe essere portato ad un apposito punto di raccolta destinato al riciclaggio del Materiale Elettrico ed Elettronico.

Ciò è confermato dal simbolo riportato sul prodotto, nel manuale d'uso o sulla confezione.

Tramite il riciclaggio ed altre forme di trattamento del Materiale Elettrico ed Elettronico, è possibile fornire un importante contributo per la salvaguardia dell'ambiente.

Per conoscere i punti di raccolta più vicini a te, contatta le autorità locali competenti.

In tutti gli altri Paesi: per favore, rispetta le leggi locali sul riciclo dei materiali elettrici ed elettronici.

Informazioni da conservare. I colori e le decorazioni possono variare.

I ganci di plastica e gli adesivi dovrebbero essere rimossi dal prodotto prima che quest'ultimo venga utilizzato.

Questo prodotto è conforme con le norme relative ai bambini di età superiore ai 14 anni. Non è adatto all'uso da parte di bambini di età inferiore ai 14 anni.

**[www.thrustmaster.com](http://www.thrustmaster.com)**

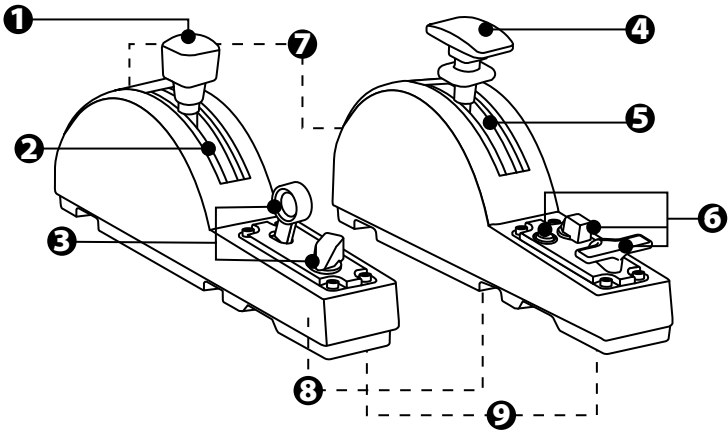
*\*Valido solo in UE e Turchia*



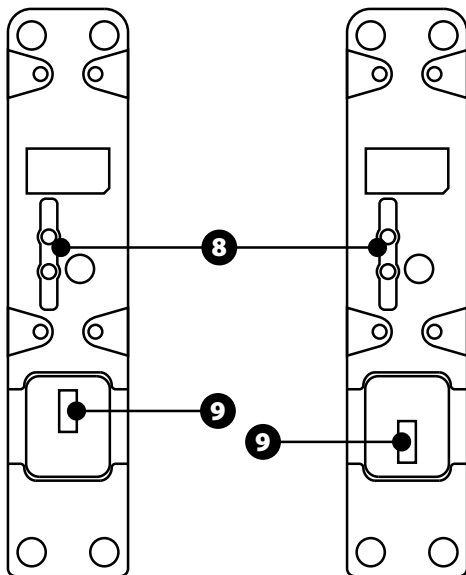
# TCA QUADRANT ADD-ON AIRBUS A320XLR EDITION

Manual del usuario

## CARACTERÍSTICAS TÉCNICAS



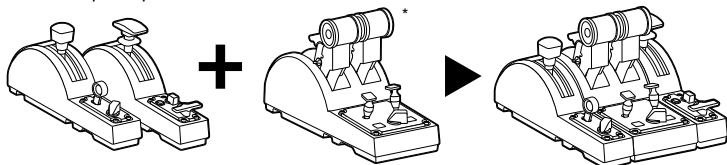




- |  |   |
|--|---|
| 1. Eje del freno aerodinámico              | 6. 4 botones de acción  |
| 2. 4 topes en el eje + 5 botones virtuales | 7. Tornillo de ajuste de fricción en cada módulo                            |
| 3. 6 botones de acción                     | 8. Mecanismo para activar/desactivar los topes en cada eje                  |
| 4. Ejes de flaps                           | 9. Conectores SATA para TCA Quadrant Airbus Edition (se vende por separado) |
| 5. 4 topes en el eje                       |   |

# CONEXIÓN DE LOS MÓDULOS TCA QUADRANT ADD-ON AIRBUS EDITION AL TCA QUADRANT AIRBUS EDITION\*

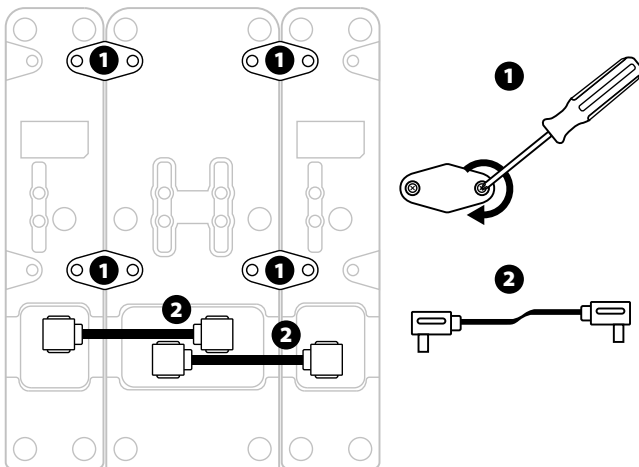
\*Se vende por separado

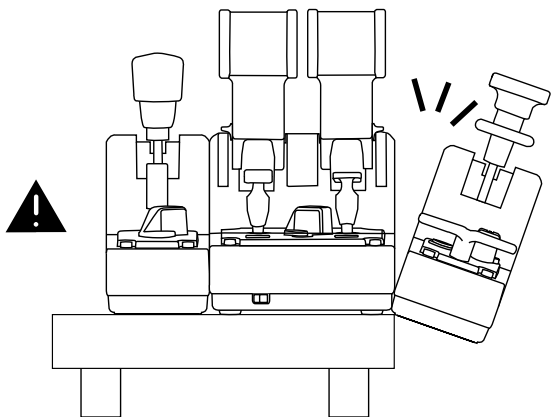
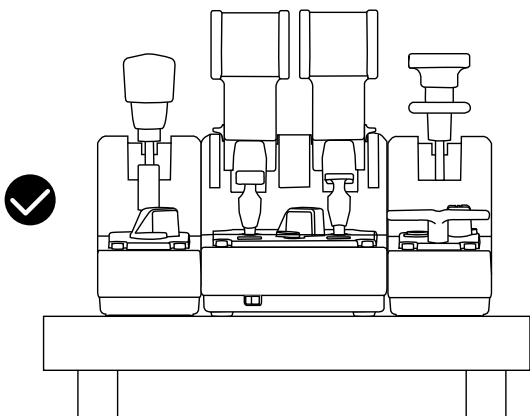


Para usar los módulos TCA Quadrant Add-On Airbus Edition, debes tener un TCA Quadrant Airbus Edition (se vende por separado). Los módulos TCA Quadrant Add-On Airbus Edition son una ampliación del cuadrante de aceleración TCA Quadrant Airbus Edition y sólo funcionan cuando están conectados a ambos lados del TCA Quadrant Airbus Edition.

Esta modularidad aporta nuevos ejes y botones de acción y te permite ampliar la cinemática (despegue, en vuelo y aterrizaje) del TCA Quadrant Airbus Edition.

1. Dale la vuelta a todos los dispositivos y, usando un destornillador con la forma de punta correspondiente (no incluido), atornilla las cuatro piezas de sujeción incluidas con el TCA Quadrant Airbus Edition y los módulos TCA Quadrant Add-On Airbus Edition, para unirlos todo junto.
2. Conecta el módulo del freno aerodinámico a la izquierda del TCA Quadrant Airbus Edition y el módulo de flaps a la derecha, usando los cables SATA incluidos con el TCA Quadrant Add-On Airbus Edition.





- Para evitar dañar los productos, usa un destornillador con la forma de punta correspondiente (no incluido) para apretar o aflojar los tornillos.
- Usa únicamente los cables oficiales proporcionados por Thrustmaster. esto te permitirá actualizar el firmware del TCA Quadrant Airbus Edition cuando sea necesario.
- No coloques nunca el TCA Quadrant Airbus Edition con ninguno de los módulos TCA Quadrant Add-On Airbus Edition colgando cerca o fuera del borde de una mesa o escritorio.

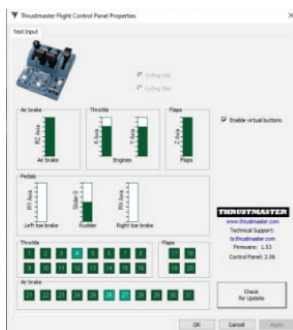
# INSTALACIÓN EN PC

1. Visita <https://support.thrustmaster.com>. Haz clic en **Joysticks / TCA Quadrant Airbus Edition** (o **TCA Quadrant Add-On Airbus Edition**) y selecciona **Controladores**. Descarga e instala el controlador para PC y su interfaz personalizada para el Panel de control de Windows.
2. Una vez instalado el controlador para PC, conecta la clavija USB del TCA Quadrant Airbus Edition a uno de los puertos USB del PC.
3. Para acceder al Panel de control, haz clic en **Inicio / Aplicaciones / Thrustmaster / Panel de control** (en Windows® 10 / 8.1 / 8).

Se muestra el cuadro de diálogo **Dispositivos de juego**.

El accesorio se indica en la pantalla con el nombre **TCA Q-Eng 1&2** (o **TCA Q-Eng 3&4**, en función de la posición del interruptor selector de los motores [5] en el TCA Quadrant Airbus Edition), junto con el estado **OK**.

4. En el cuadro de diálogo **Dispositivos de juego**, haz clic en **Propiedades** para probar y ver todas las funciones, incluidas aquellas relacionadas con los módulos TCA Quadrant Add-On Airbus Edition.



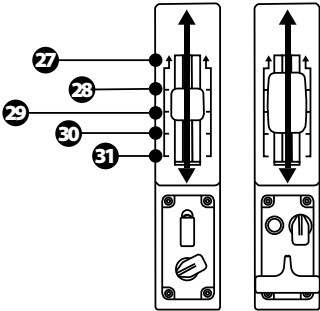
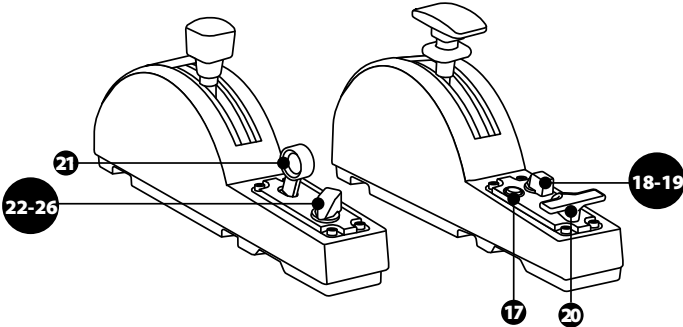
**Enable virtual buttons (Activar botones virtuales):** Esta función te permite activar o desactivar los botones virtuales disponibles en los ejes del cuadrante de aceleración y el módulo de freno aerodinámico. Haz clic en **Apply (Aplicar)** una vez que hayas seleccionado el modo que quieres usar.

**¡Ya estás preparado para jugar!**

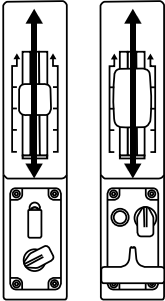


- Para usar los módulos TCA Quadrant Add-On Airbus Edition debes tener un TCA Quadrant Airbus Edition (se vende por separado).
- Visita <https://support.thrustmaster.com> para descargar el paquete que contiene los controladores que te permiten actualizar el firmware del producto, que te proporciona un control más detallado de las funciones del producto.

# MAPEADO DE LOS 15 BOTONES Y 2 EJES DE LOS MÓDULOS TCA QUADRANT ADD-ON AIRBUS EDITION



0 up  
ZR  
65536 down



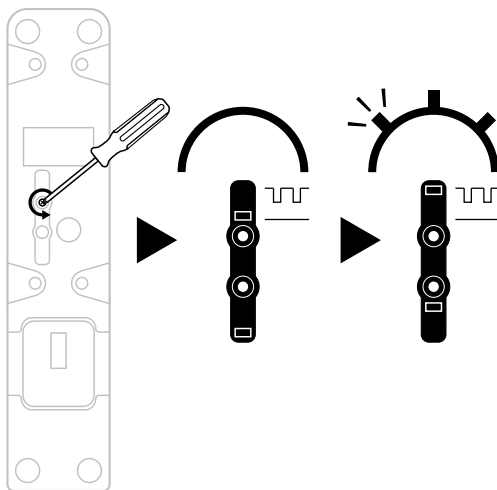
0 up  
Z  
65536 down

## CÓMO HACER CAMBIOS EN LOS EJES DE LOS MÓDULOS TCA QUADRANT ADD-ON AIRBUS EDITION

Los módulos TCA Quadrant Add-On Airbus Edition incorporan selectores mecánicos que te permiten desactivar los topes/muecas de cada eje. De esta manera puedes tener ejes fluidos mientras mantienes los botones virtuales del 27 al 31 en el módulo del freno aerodinámico.

Esta opción te permite cambiar las sensaciones de pilotaje según el tipo de avión que estás usando en la simulación (avión comercial o civil).

1. Dale la vuelta a los módulos TCA Quadrant Add-On Airbus Edition y afloja los dos tornillos de cada uno de los selectores usando un destornillador con la forma de punta correspondiente (no incluido).
2. Cambia la posición de los selectores usando los indicadores como guía: esto te permitirá elegir entre un eje fluido o un eje con topes/muecas para cada eje de los módulos TCA Quadrant Add-On Airbus Edition.

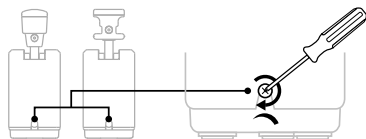
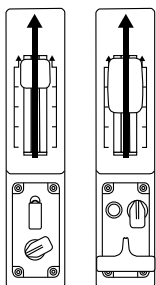


# AJUSTE DE LA FRICCIÓN

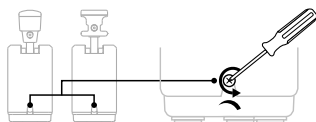
## NOTAS IMPORTANTES:

- La fricción de los módulos TCA Quadrant Add-On Airbus Edition está definida al 50% de forma predeterminada.
- Para permitir un ajuste preciso en función de tus preferencias, puedes utilizar un destornillador con la forma de punta correspondiente (no incluido) — o la barra incluida con el TCA Quadrant Airbus Edition — para girar los tornillos de ajuste de la fricción.

1. Empuja ambas palancas de los módulos TCA Quadrant Add-On Airbus Edition hacia delante hasta sus valores máximos y después accede al tornillo de ajuste de fricción en la parte trasera de cada módulo.
2. Para aumentar la fricción, gira el tornillo de ajuste de fricción en sentido horario.



3. Para disminuir la fricción, gira el tornillo de ajuste de fricción en sentido antihorario.



- Para evitar dañar el sistema de fricción, ten cuidado de no apretar en exceso los tornillos de ajuste: deja de girar los tornillos cuando aprecies resistencia.
- Nunca aflojes por completo los tornillos de ajuste para evitar que se caigan dentro del cuerpo de cualquiera de los módulos TCA Quadrant Add-On Airbus Edition.

# CONEXIÓN DEL TCA QUADRANT AIRBUS EDITION\* Y LOS MÓDULOS TCA QUADRANT ADD-ON AIRBUS EDITION AL TM FLYING CLAMP\*, A UNA CABINA\* O A OTRA SUPERFICIE ESTACIONARIA

*\*Se vende por separado*

Puedes usar las 6 perforaciones situadas en la cara inferior del TCA Quadrant Airbus Edition cuando está conectado a los módulos TCA Quadrant Add-On Airbus Edition para fijar todos los dispositivos a una superficie estacionaria usando tornillos M6 (no incluidos).

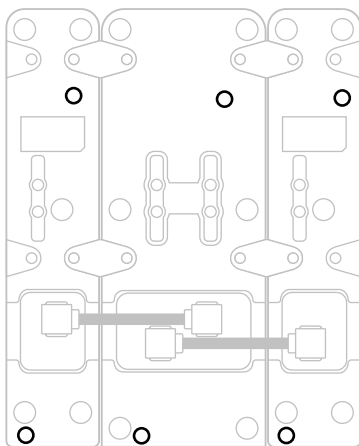
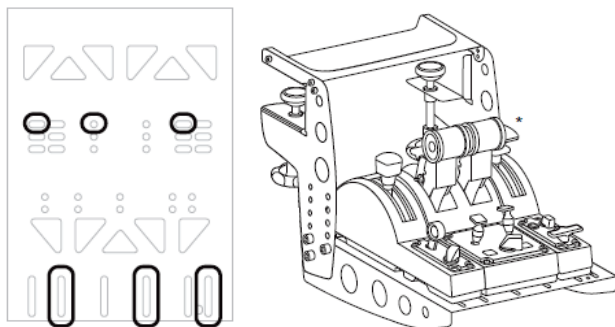


Diagrama de fijación para el TM Flying Clamp\* (\*se vende por separado):





# SOFTWARE DE PROGRAMACIÓN AVANZADA T.A.R.G.E.T

(Thrustmaster Advanced pRogramming Graphical EdiT or)

Visita <https://support.thrustmaster.com>. Haz clic en **Joysticks / TCA Quadrant Airbus Edition** (o **TCA Quadrant Add-On Airbus Edition**) y luego selecciona **Software**. Descarga e instala el software de programación avanzada T.A.R.G.E.T.

Características principales de T.A.R.G.E.T:

- Distintas configuraciones posibles de los ejes.
- Distintos niveles de programación posibles: Basic, Advanced y Script.
- Utiliza el principio de Arrastrar y Soltar.
- Capacidad de combinar el cuadrante de aceleración TCA Quadrant Airbus Edition con diversos joysticks de Thrustmaster (HOTAS Cougar, HOTAS Warthog, T.16000M, MFD Cougar Pack, todos los cuales también son compatibles con T.A.R.G.E.T), de modo que se reconocen como un único dispositivo USB.
- Acceso a perfiles avanzados creados por la comunidad de Thrustmaster.



## RESOLUCIÓN DE PROBLEMAS Y ADVERTENCIAS



Visita <https://support.thrustmaster.com> para descargar el paquete que contiene los controladores que te permiten actualizar el firmware del producto, que te proporciona un control más detallado de las funciones del producto.

- **Mis módulos TCA Quadrant Add-On Airbus Edition no están funcionando correctamente o parecen estar calibrados de forma inadecuada al conectarlos al TCA Quadrant Airbus Edition.**

- Visita <https://support.thrustmaster.com> para comprobar si está disponible una versión más reciente del firmware: de ser así, sigue las instrucciones para descargarla e instalarla.
- Apaga el PC y desconecta la clavija USB del cuadrante de aceleración TCA Quadrant Airbus Edition. Asegúrate de que ambos cables SATA estén conectados correctamente a los dispositivos.
- Apaga el PC y desconecta la clavija USB del cuadrante de aceleración TCA Quadrant Airbus Edition. A continuación vuelve a conectar la clavija USB, enciende el PC de nuevo y reinicia el juego.
- Al conectar la clavija USB del cuadrante de aceleración TCA Quadrant Airbus Edition deja siempre centrado el eje del timón si estás usando el sistema de timón TFRP (vendido por separado): nunca pongas los pies sobre los pedales del sistema de timón TFRP al hacerlo.

- **No puedo configurar mis módulos TCA Quadrant Add-On Airbus Edition con mi cuadrante de aceleración TCA Quadrant Airbus Edition.**

- En el menú Opciones / Mando / Gamepad o Joystick, selecciona la configuración apropiada o vuelve a configurar por completo las opciones del controlador.
- Visita <https://support.thrustmaster.com> para comprobar si está disponible una versión más reciente del firmware: de ser así, sigue las instrucciones para descargarla e instalarla.
- Para más información, consulta el manual del usuario o la ayuda en línea del juego.
- También puedes usar el software de programación avanzada T.A.R.G.E.T (Thrustmaster Advanced pRogramming Graphical EdiTοr).

- **Mis módulos TCA Quadrant Add-On Airbus Edition son demasiado sensibles o no lo bastante sensibles.**

- Los ejes de los módulos TCA Quadrant Add-On Airbus Edition se calibran automáticamente después de algunos movimientos o tras haber alcanzado los topes físicos de los ejes.
- En el menú Opciones / Mando / Gamepad o Joystick del juego, ajusta la sensibilidad y las zonas muertas del controlador (si esas opciones están disponibles).
- También puedes usar el software de programación avanzada T.A.R.G.E.T (Thrustmaster Advanced pRogramming Graphical EdiTοr).



Estos dispositivos están pensados para usarse únicamente con fines de entretenimiento en juegos. Está estrictamente prohibido usarlos para actividades de entrenamiento profesional.

## **INFORMACIÓN DE GARANTÍA AL CONSUMIDOR**

En todo el mundo, Guillemot Corporation S.A., cuyo domicilio legal se encuentra en Place du Granier, B.P. 97143, 35571 Chantepie, Francia (en lo sucesivo "Guillemot") garantiza al consumidor que este producto de Thrustmaster estará libre de defectos de materiales y mano de obra, durante un período de garantía que corresponde al límite de tiempo para interponer una acción legal referida a la conformidad en relación con este producto. En los países de la Unión Europea, esto corresponde a un período de dos (2) años a partir de la entrega del producto de Thrustmaster. En otros países, el período de garantía corresponde al límite de tiempo para interponer una acción legal referida a la conformidad en relación con este producto de Thrustmaster según las leyes aplicables del país en el que el consumidor estuviese domiciliado en la fecha de compra del producto de Thrustmaster (si no existiese una acción similar en el país correspondiente, entonces el período de garantía será de un (1) año a partir de la fecha de compra original del producto de Thrustmaster).

Si el producto resultase defectuoso durante el período de garantía, hay que ponerse en contacto inmediatamente con el Soporte Técnico, que indicará el procedimiento a seguir. Si se confirma el defecto, el producto debe devolverse a su lugar de compra (o a cualquier otra ubicación indicada por el Soporte Técnico).

Dentro del contexto de esta garantía, el producto defectuoso del consumidor será sustituido o restaurado su funcionamiento correcto. Si, durante el período de garantía, el producto de Thrustmaster fuese sometido a dicho reacondicionamiento, cualquier período de cómo mínimo siete (7) días durante el que el producto no se pueda usar se añadirá al período de garantía restante (este período va desde la fecha de petición de intervención del consumidor o desde la fecha en la que el producto se entrega para el reacondicionamiento, si la fecha en la que el producto se entrega para el reacondicionamiento fuese posterior a la fecha de la petición de intervención). Si la ley aplicable lo permite, toda la responsabilidad de Guillemot y sus filiales (incluso por daños resultantes) se limita a la restauración del funcionamiento correcto o la sustitución del producto de Thrustmaster. Si la ley aplicable lo permite, Guillemot renuncia a todas las garantías de comerciabilidad o adecuación para un propósito determinado.

Esta garantía no se aplicará: (1) si el producto ha sido modificado, abierto, alterado o ha sufrido daños como resultado de un uso inapropiado o abuso, negligencia, accidente, desgaste normal, o cualquier otra causa no relacionada con un defecto de materiales o fabricación (incluyendo, pero no de forma exclusiva, la combinación del producto de Thrustmaster con cualquier elemento no adecuado, incluyendo en particular fuentes de alimentación, baterías recargables, cargadores o cualquier otro elemento no suministrado por Guillemot para este producto); (2) si el producto se ha empleado para otro uso distinto del doméstico, incluyendo fines profesionales o comerciales (salones de juego, entrenamiento, competiciones, por ejemplo); (3) en caso de incumplimiento de las instrucciones proporcionadas por el Soporte Técnico; (4) a software, es decir software sujeto a una garantía específica; (5) a consumibles (elementos que se tienen que reemplazar a lo largo de la vida del producto: por ejemplo, baterías desechables o almohadillas para auriculares de audio); (6) a accesorios (por ejemplo, cables, cajas, bolsas, bolsos o muñequeras); (7) si el producto se ha vendido en una subasta pública.

Esta garantía no es transferible.

Los derechos legales del consumidor en relación con las leyes aplicables a la venta de productos de consumo de su país no se ven afectados por esta garantía.

### Provisiones de garantía adicionales

Durante el período de garantía, Guillemot no proporcionará, en principio, ninguna pieza de repuesto, ya que el Soporte Técnico es el único autorizado para abrir y/o reacondicionar los productos de Thrustmaster (con la excepción de los procedimientos de reacondicionamiento que el Soporte técnico puede solicitar que lleve a cabo el consumidor, mediante instrucciones por escrito – por ejemplo, debido a la simplicidad y la falta de confidencialidad del proceso de reacondicionamiento – y suministrando al consumidor las piezas de repuesto necesarias, si hiciese falta).

Debido a sus ciclos de innovación y para proteger su know-how y secretos comerciales, Guillemot no proporcionará, en principio, ninguna pieza de repuesto ni instrucciones de reacondicionamiento para los productos de Thrustmaster cuyo período de garantía haya vencido.

En los Estados Unidos de América y en Canadá, esta garantía está limitada al mecanismo interno del producto y al alojamiento externo. En ningún caso, Guillemot ni sus filiales serán responsables ante terceros por daños resultantes o fortuitos resultado del incumplimiento de cualquier garantía expresa o implícita. En algunos estados o provincias no se permite la limitación de la duración de una garantía implícita ni la exclusión o limitación de responsabilidad por daños resultantes o fortuitos, por lo que las limitaciones o exclusiones anteriores pueden no ser aplicables. Esta garantía ofrece derechos legales específicos al consumidor, que también puede tener otros derechos que pueden variar de un estado a otro o de una provincia a otra.

### Responsabilidad

Si la ley aplicable lo permite, Guillemot Corporation S.A. (en lo sucesivo "Guillemot") y sus filiales renuncian a toda responsabilidad por los daños causados por uno o más de los siguientes motivos: (1) el producto ha sido modificado, abierto o alterado; (2) incumplimiento de las instrucciones de montaje; (3) uso inapropiado o abuso, negligencia, accidente (un impacto, por ejemplo); (4) desgaste normal; (5) el producto se ha empleado para otro uso distinto del doméstico, incluyendo fines profesionales o comerciales (salones de juego, entrenamiento, competiciones, por ejemplo). Si la ley aplicable lo permite, Guillemot y sus filiales renuncian a toda responsabilidad por los daños no relacionados con defectos de materiales o fabricación en relación con el producto (incluyendo, pero no de forma exclusiva, los daños causados de forma directa o indirecta por cualquier software, o por combinar el producto de Thrustmaster con cualquier elemento no adecuado, incluyendo en particular fuentes de alimentación, baterías recargables, cargadores o cualquier otro elemento no suministrado por Guillemot para este producto).

**THRUSTMASTER®**

**SOPORTE TÉCNICO**

<https://support.thrustmaster.com>



## DECLARACIÓN DE CONFORMIDAD

NOTICIA DE CONFORMIDAD EN USA: este dispositivo cumple con los límites para dispositivos de computación de Clase B de acuerdo con la Parte 15 de las reglas FCC.

## COPYRIGHT

© 2020 Guillemot Corporation S.A. Todos los derechos reservados. Thrustmaster® es una marca registrada de Guillemot Corporation S.A.

AIRBUS, su logotipo y las marcas de producto y servicio son marcas comerciales registradas de Airbus. Todos los derechos reservados.

© Airbus 2020. Todos los derechos reservados. Con licencia oficial de Airbus.

Todas las demás marcas son propiedad de sus respectivos dueños. Ilustraciones no definitivas. El contenido, la concepción y las especificaciones son susceptibles de cambiar sin previo aviso y varían según el país. Fabricado en China.

## RECOMENDACIÓN DE PROTECCIÓN AMBIENTAL



\* En la Unión Europea: Al terminar su vida útil, este producto no debe tirarse en un contenedor de basuras estándar, sino que debe dejarse en un punto de recogida de desechos eléctricos y equipamiento electrónico para ser reciclado.

Esto viene confirmado por el símbolo que se encuentra en el producto, manual del usuario o embalaje.

Dependiendo de sus características, los materiales pueden reciclarse. Mediante el reciclaje y otras formas de procesamiento de los desechos eléctricos y el equipamiento electrónico puedes contribuir de forma significativa a ayudar a proteger el medio ambiente.

Contacta con las autoridades locales para más información sobre el punto de recogida más cercano.

Para los demás países: cumpla las leyes locales sobre reciclaje de equipos eléctricos y electrónicos.

Esta información debe conservarse. Los colores y motivos decorativos pueden variar.

Los adhesivos y los cierres de plástico se deben quitar del producto antes de utilizarlo.

Este producto cumple con todas las normas relativas a los niños de más de 14 años. No es recomendable para niños de menos de 14 años.

[www.thrustmaster.com](http://www.thrustmaster.com)

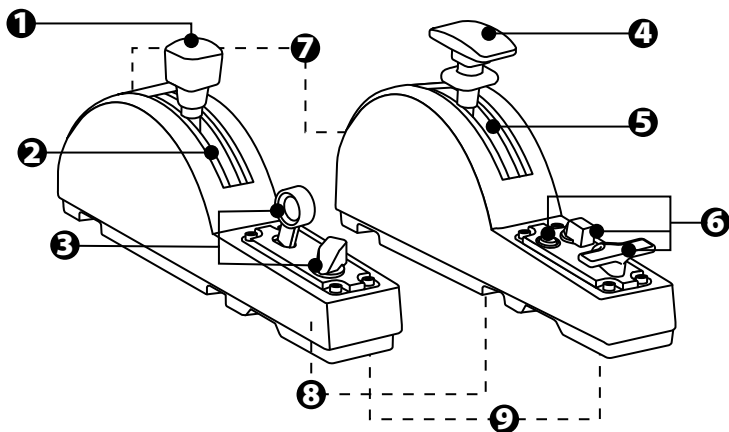
*\*Aplicable únicamente a la UE y Turquía*

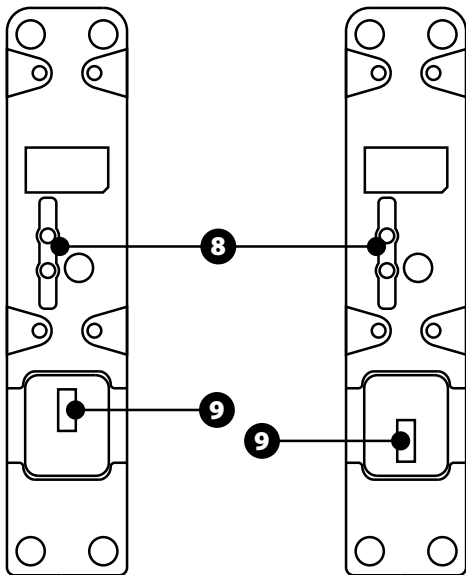


# TCA QUADRANT ADD-ON AIRBUS EDITION

Manual do utilizador

## CARACTERÍSTICAS TÉCNICAS

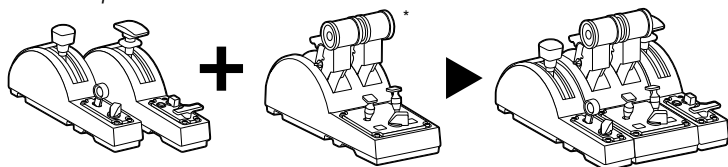




- |  |   |
|--|---|
| 1. Eixo do freio aerodinâmico              | 6. 4 botões de ações  |
| 2. 4 detetores no eixo + 5 botões virtuais | 7. Parafuso de ajuste da fricção em cada módulo                         |
| 3. 6 botões de ações                       | 8. Mecanismo de desativação dos detetores em cada eixo                  |
| 4. Eixo dos flaps                          | 9. Conectores SATA para o TCA Quadrant Airbus Edition (vendido à parte) |
| 5. 4 detetores no eixo                     |   |

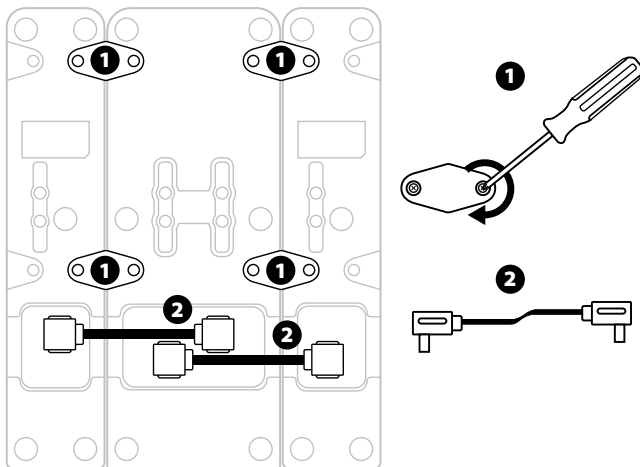
# LIGAR OS MÓDULOS DO TCA QUADRANT ADD-ON AIRBUS EDITION AO TCA QUADRANT AIRBUS EDITION\*

\* Vendido à parte

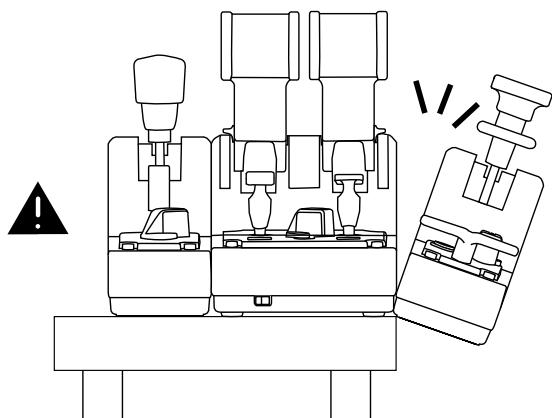
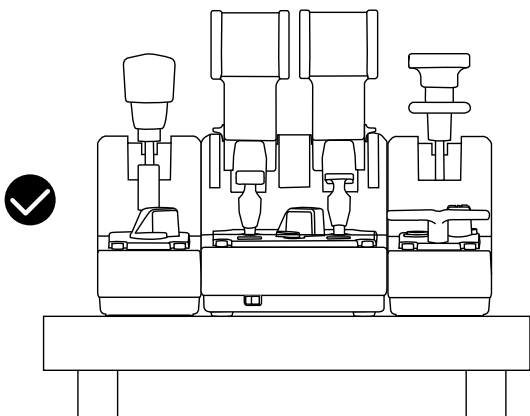


Para poder utilizar os módulos do TCA Quadrant Add-On Airbus Edition, necessita de ter um TCA Quadrant Airbus Edition (vendido à parte). Os módulos do TCA Quadrant Add-On Airbus Edition são uma extensão do quadrante de potência TCA Quadrant Airbus Edition e apenas funcionam quando ligados a ambos os lados do TCA Quadrant Airbus Edition. Esta modularidade adiciona novos eixos e botões de ações e permite-lhe expandir as cinemáticas (descolagem, voo e aterragem) do TCA Quadrant Airbus Edition.

1. Vire todos os dispositivos ao contrário e, utilizando uma chave de fendas com a forma de ponta correta (não incluída), enrosque as quatro peças de fixação incluídas com o TCA Quadrant Airbus Edition e os módulos do TCA Quadrant Add-On Airbus Edition, para fixar todos em conjunto.
2. Ligue o módulo do freio aerodinâmico ao lado esquerdo do TCA Quadrant Airbus Edition e o módulo dos flaps ao lado direito utilizando os cabos SATA incluídos com o TCA Quadrant Add-On Airbus Edition.







- Para evitar danificar os produtos, utilize uma chave de fendas com a forma de ponta correspondente (não incluída) para apertar/desapertar os parafusos.
- Utilize apenas os cabos oficiais fornecidos pela Thrustmaster: isto irá permitir-lhe atualizar o firmware do TCA Quadrant Airbus Edition quando for necessário.
- Nunca posicione o TCA Quadrant Airbus Edition com qualquer um dos módulos do TCA Quadrant Add-On Airbus Edition pendurado perto ou fora do bordo de uma mesa ou secretária.

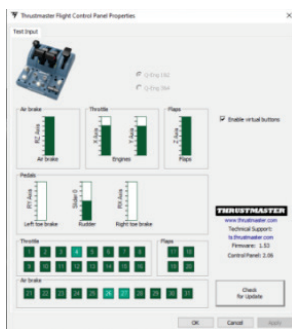
# INSTALAÇÃO NO PC

1. Visite <https://support.thrustmaster.com>. Clique em **Joysticks / TCA Quadrant Airbus Edition** (ou **TCA Quadrant Add-On Airbus Edition**) e selecione **Controladores**. Transfira e instale o controlador para PC e a respetiva interface personalizada para o Painel de Controlo do Windows.
2. Quando o controlador para PC estiver instalado, ligue o conector USB do TCA Quadrant Airbus Edition a uma das portas USB no PC.
3. Para aceder ao Painel de Controlo, clique em **Iniciar / Aplicações / Thrustmaster / Painel de Controlo** (no Windows® 10 / 8.1 / 8).

É apresentada a caixa de diálogo **Controladores de jogos**.

O acessório é apresentado no ecrã com o nome **TCA Q-Eng 1&2** (ou **TCA Q-Eng 3&4**, consoante a posição do seletor dos motores [5] no TCA Quadrant Airbus Edition), juntamente com o estado **OK**.

4. Na caixa de diálogo **Controladores de jogos**, clique em **Propriedades** para testare ver todas as funcionalidades, incluindo as relacionadas com os módulos do TCA Quadrant Add-On Airbus Edition.



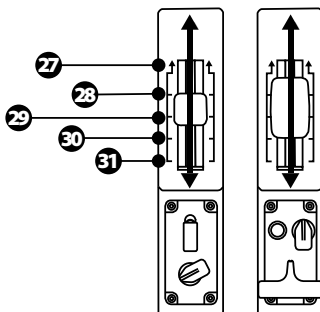
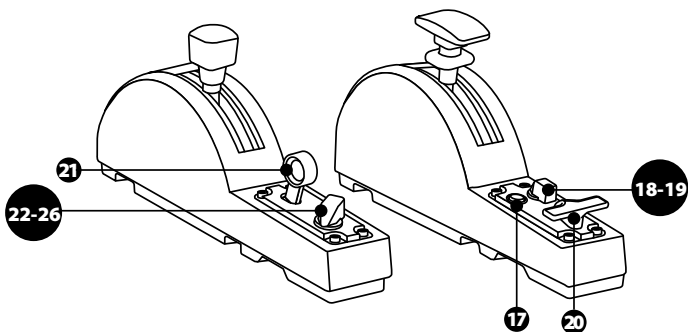
**Enable virtual buttons (Ativar botões virtuais):** esta funcionalidade permite-lhe ativar ou desativar os botões virtuais disponíveis nos eixos do quadrante de potência e o módulo do freio aerodinâmico. Clique em **Apply (Aplicar)** depois de selecionar o modo que pretende utilizar.

**Está agora pronto para começar a jogar!**

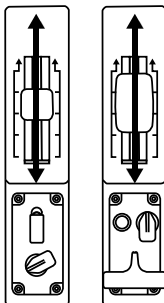


- Para poder utilizar os módulos do TCA Quadrant Add-On Airbus Edition, necessita de ter um TCA Quadrant Airbus Edition (vendido à parte).
- Visite <https://support.thrustmaster.com> para transferir o pacote que contém os controladores que lhe permitem atualizar o firmware do produto, fornecendo-lhe um controlo mais preciso das funcionalidades do produto.

# MAPEAR OS 15 BOTÕES E 2 EIXOS DOS MÓDULOS DO TCA QUADRANT ADD-ON AIRBUS EDITION



0 up  
ZR  
65536 down



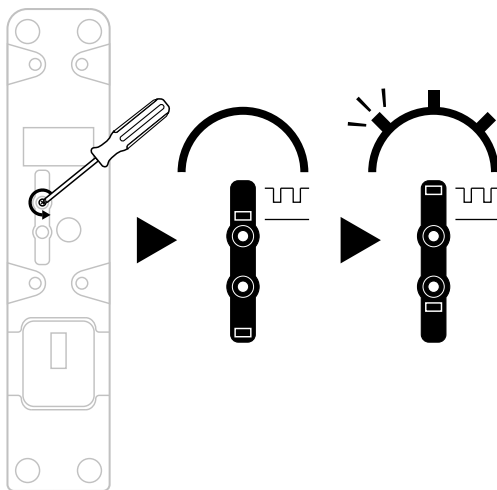
0 up  
Z  
65536 down

## FAZER ALTERAÇÕES NOS EIXOS DOS MÓDULOS DO TCA QUADRANT ADD-ON AIRBUS EDITION

Os módulos do TCA Quadrant Add-On Airbus Edition possuem seletores mecânicos que lhe possibilitam desativar os detentores/entalhes em cada eixo. Isto permite-lhe dispor de eixos lineares, ao mesmo tempo que mantém os botões virtuais 27 a 31 no módulo do freio aerodinâmico.

Graças a esta opção, pode alterar as sensações de pilotagem de acordo com o tipo de aeronave utilizada na sua simulação (avião comercial ou avião civil).

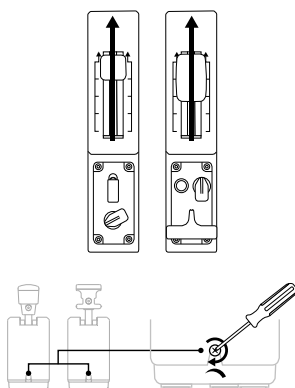
1. Vire os módulos do TCA Quadrant Add-On Airbus Edition ao contrário e desaperte os dois parafusos de cada um dos seletores utilizando uma chave de fendas com a forma de ponta correspondente (não incluída).
2. Troque a posição dos seletores utilizando os indicadores como guia: isto permite-lhe escolher um eixo linear ou um eixo com detentores/entalhes para cada eixo dos módulos do TCA Quadrant Add-On Airbus Edition.



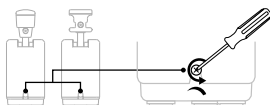
# AJUSTAR A FRICÇÃO

## NOTAS IMPORTANTES:

- A fricção dos módulos do TCA Quadrant Add-On Airbus Edition está predefinida para 50%.
  - De modo a permitir o ajuste preciso de acordo com as suas preferências, pode utilizar uma chave de fendas com a forma de ponta correspondente (não incluída) – ou a barra transversal incluída com o TCA Quadrant Airbus Edition – para rodar os parafusos de ajuste da fricção.
1. Pressione ambas as alavancas dos módulos do TCA Quadrant Add-On Airbus Edition para a frente até aos respetivos valores máximos e, em seguida, aceda ao parafuso de ajuste da fricção na parte posterior de cada módulo.
  2. Para aumentar a fricção, rode o parafuso de ajuste da fricção no sentido dos ponteiros do relógio.



3. Para diminuir a fricção, rode o parafuso de ajuste da fricção no sentido contrário ao dos ponteiros do relógio.

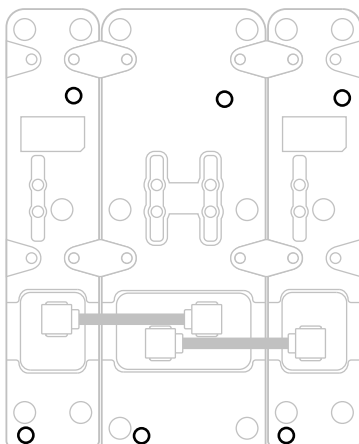


- Para evitar danificar o sistema de fricção, tenha cuidado para não apertar demasiado os parafusos de ajuste: pare de rodar o parafuso quando sentir resistência.
- Nunca desaperte completamente os parafusos de ajuste, para evitar que os mesmos caiam para dentro do corpo de qualquer um dos módulos do TCA Quadrant Add-On Airbus Edition.

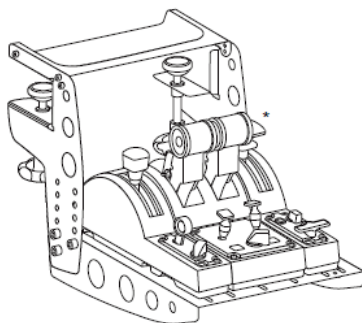
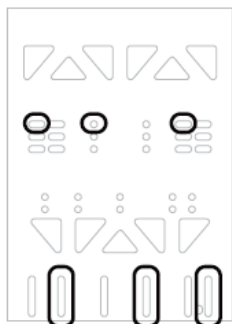
# FIXAR O TCA QUADRANT AIRBUS EDITION\* E OS MÓDULOS DO TCA QUADRANT ADD-ON AIRBUS EDITION AO TM FLYING CLAMP\*, A UM COCKPIT\* OU A OUTRA SUPERFÍCIE ESTACIONÁRIA

\* Vendido à parte

Pode utilizar as 6 perfurações na parte inferior do TCA Quadrant Airbus Edition, quando estiver ligado aos módulos do TCA Quadrant Add-On Airbus Edition, para fixar todos os dispositivos a uma superfície estacionária utilizando parafusos M6 (não incluídos).



Esquema de fixação do TM Flying Clamp\* (\* vendido à parte):



# SOFTWARE DE PROGRAMAÇÃO AVANÇADA T.A.R.G.E.T (Thrustmaster Advanced pRogramming Graphical EdiT or)

Visite <https://support.thrustmaster.com>. Clique em **Joysticks / TCA Quadrant Airbus Edition** (ou **TCA Quadrant Add-On Airbus Edition**) e em seguida seleione **Software**.  
Transfira e instale o software de programação avançada T.A.R.G.E.T.

Principais características do software T.A.R.G.E.T:

- Diferentes configurações possíveis dos eixos.
- Diferentes níveis de programação possíveis: Basic, Advanced e Script.
- Utilização do princípio de arrastar e largar.
- Capacidade para combinar o quadrante de potência TCA Quadrant Airbus Edition com vários joysticks Thrustmaster (HOTAS Cougar, HOTAS Warthog, T.16000M, MFD Cougar Pack, os quais são todos compatíveis com o software T.A.R.G.E.T), permitindo-lhes serem reconhecidos como um único dispositivos USB.
- Acesso a perfis avançados criados pela comunidade Thrustmaster.



## RESOLUÇÃO DE PROBLEMAS E ADVERTÊNCIA



Visite <https://support.thrustmaster.com> para transferir o pacote que contém os controladores que lhe permitem atualizar o firmware do produto, fornecendo-lhe um controlo mais detalhado das funcionalidades do produto.

• **Os meus módulos do TCA Quadrant Add-On Airbus Edition não funcionam corretamente, ou parecem estar calibrados incorretamente, quando estão ligados ao TCA Quadrant Airbus Edition.**

- Visite <https://support.thrustmaster.com> para verificar se está disponível uma versão mais recente do firmware; se for o caso, siga as instruções para transferi-la e instalá-la.
- Encerre o PC e desligue o conector USB do quadrante de potência TCA Quadrant Airbus Edition. Certifique-se de que ambos os cabos SATA estão ligados corretamente aos dispositivos.
- Encerre o PC e desligue o conector USB do quadrante de potência TCA Quadrant Airbus Edition. Em seguida, volte a ligar o conector USB, ligue novamente o PC e reinicie o jogo.
- Ao ligar o conector USB do quadrante de potência TCA Quadrant Airbus Edition, deixe sempre o eixo do leme de direção centrado se estiver a utilizar o sistema de leme de direção TFRP (vendido à parte): nunca ponha os pés nos pedais do sistema de leme de direção TFRP ao fazê-lo.

• **Não consigo configurar os meus módulos do TCA Quadrant Add-On Airbus Edition com o meu quadrante de potência TCA Quadrant Airbus Edition.**

- No menu Opções / Controlador / Gamepad ou Joystick do jogo: selecione a configuração adequada, ou reconfigure completamente as opções do controlador.
- Visite <https://support.thrustmaster.com> para verificar se está disponível uma versão mais recente do firmware; se for o caso, siga as instruções para transferi-la e instalá-la.
- Para mais informações, consulte o manual do utilizador ou o utilitário de ajuda online do jogo.
- Também pode utilizar o software de programação avançada T.A.R.G.E.T (Thrustmaster Advanced Programming Graphical Editor).

• **Os meus módulos do TCA Quadrant Add-On Airbus Edition são demasiado sensíveis, ou não são suficientemente sensíveis.**

- Os eixos dos módulos do TCA Quadrant Add-On Airbus Edition autocalibram-se após alguns movimentos e depois de atingirem os botões físicos dos eixos.
- No menu Opções / Controlador / Gamepad ou Joystick: ajuste a sensibilidade e as zonas mortas do controlador (se estas opções estiverem disponíveis).
- Também pode utilizar o software de programação avançada T.A.R.G.E.T (Thrustmaster Advanced Programming Graphical Editor).



Estes dispositivos destinam-se a ser utilizados unicamente para fins de entretenimento com jogos. É estritamente proibido utilizar estes dispositivos para atividades de formação profissional.



## **INFORMAÇÕES SOBRE A GARANTIA PARA O CONSUMIDOR**

A Guillemot Corporation S.A., com sede social sita em Place du Granier, B.P. 97143, 35571 Chantepie, França (a seguir designada como "Guillemot") garante a nível mundial ao consumidor que este produto Thrustmaster está livre de defeitos em termos de materiais e fabrico durante um período de garantia que corresponde ao limite de tempo para intentar uma ação de conformidade relativamente a este produto. Nos países da União Europeia, isto corresponde a um período de dois (2) anos desde a entrega do produto Thrustmaster. Noutros países, o período de garantia corresponde ao limite de tempo para intentar uma ação de conformidade relativamente ao produto Thrustmaster de acordo com a legislação em vigor do país no qual o consumidor residia à data de compra do produto Thrustmaster (se a dita ação não existir no país correspondente, então o período de garantia será de um (1) ano a partir da data de compra original do produto Thrustmaster).

No caso de o produto apresentar algum defeito durante o período da garantia, contacte imediatamente o Suporte Técnico, que lhe indicará o procedimento a tomar. Se esse defeito se confirmar, o produto terá de ser devolvido ao respetivo local de compra (ou qualquer outro local indicado pelo Suporte Técnico).

No âmbito da presente garantia, e por opção do Suporte Técnico, o produto defeituoso do consumidor será substituído ou reparado. Se, durante o período da garantia, o produto Thrustmaster for submetido à dita reparação, qualquer período mínimo de (7) dias durante o qual o produto estiver fora de serviço será adicionado ao período da garantia restante (este período decorre desde a data do pedido intervenção pelo consumidor ou desde a data em que o produto em questão é disponibilizado para reparação, se a data em que o produto é disponibilizado para reparação for posterior à data do pedido de intervenção). Se for permitido pela legislação em vigor, a responsabilidade total da Guillemot e das respetivas filiais (incluindo para danos indiretos) está limitada à reparação ou à substituição do produto Thrustmaster. Se for permitido pela legislação em vigor, a Guillemot rejeita todas as garantias de comercialização ou adequação a um fim específico.

A presente garantia não se aplicará: (1) se o produto tiver sido modificado, aberto, alterado ou danificado em resultado de utilização inadequada ou abusiva, negligência, acidente, desgaste normal ou qualquer outra causa relacionada com um defeito de material ou fabrico (incluindo, mas sem limitação, combinar o produto Thrustmaster com qualquer elemento inadequado, incluindo, em particular, fontes de alimentação, baterias recarregáveis, carregadores ou quaisquer outros elementos não fornecidos pela Guillemot para este produto); (2) se o produto tiver sido utilizado fora do âmbito da utilização doméstica, incluindo para fins profissionais ou comerciais (salas de jogos, treino e competições, por exemplo); (3) na eventualidade de incumprimento das instruções fornecidas pelo Suporte Técnico; (4) a software, estando o mesmo sujeito a uma garantia específica; (5) a consumíveis (elementos para substituir ao longo da vida útil do produto: baterias descartáveis, auscultadores de áudio ou auriculares de auscultadores, por exemplo); (6) a acessórios (cabos, estojos, bolsas, sacos e correias de pulso, por exemplo); (7) se o produto foi vendido num leilão público.

A presente garantia não é transmissível.

Os direitos legais do consumidor no que concerne à legislação aplicável à venda de bens de consumo no seu país não são afetados pela presente garantia.

### Disposições de garantia adicionais

Durante o período da garantia, a Guillemot não fornecerá, em princípio, quaisquer peças de substituição, uma vez que o Suporte Técnico é a única parte autorizada a abrir e/ou reparar qualquer produto Thrustmaster (à exceção de quaisquer procedimentos de reparação que o Suporte Técnico possa pedir ao consumidor para realizar, através de instruções por escrito – por exemplo, devido à simplicidade e à falta de confidencialidade do processo de reparação – e fornecendo ao consumidor a(s) peça(s) de substituição necessária(s), quando aplicável).

Tendo em conta os seus ciclos de inovação, e a fim de proteger o seu know-how e segredos comerciais, a Guillemot não fornecerá, em princípio, qualquer notificação de reparação ou peças de substituição para produtos Thrustmaster cujo período da garantia tenha expirado.

Nos Estados Unidos da América e no Canadá, a presente garantia está limitada ao mecanismo interno e à caixa do produto. Em nenhuma circunstância serão a Guillemot ou as respetivas filiais consideradas responsáveis perante terceiros por quaisquer danos indiretos ou acidentais resultantes da violação de quaisquer garantias expressas ou implícitas. Alguns estados/províncias não permitem a limitação da duração de uma garantia implícita ou a exclusão ou limitação de responsabilidade por danos indiretos ou acidentais, pelo que as limitações ou exclusões supracitadas podem não se aplicar a si. A presente garantia concede-lhe direitos legais específicos, podendo ter também outros direitos, que variam consoante o estado ou a província.

### Responsabilidade

Se for permitido ao abrigo da legislação aplicável, a Guillemot Corporation S.A. (a seguir designada "Guillemot") e as respetivas filiais rejeitam qualquer responsabilidade por danos resultantes de uma ou mais das seguintes causas: (1) o produto foi modificado, aberto ou alterado; (2) incumprimento das instruções de montagem; (3) utilização inadequada ou abusiva, negligência ou acidente (um impacto, por exemplo); (4) desgaste normal; (5) utilização do produto fora do âmbito além da utilização doméstica, incluindo para fins profissionais ou comerciais (salas de jogos, treino e competições, por exemplo). Se for permitido ao abrigo da legislação aplicável, a Guillemot e as respetivas filiais rejeitam qualquer responsabilidade por danos relacionados com um defeito de material ou fabrico relativamente ao produto (incluindo, mas sem limitação, quaisquer danos causados direta ou indiretamente por qualquer software ou por combinar o produto Thrustmaster com qualquer elemento inadequado, incluindo, em particular, fontes de alimentação, baterias recarregáveis, carregadores ou quaisquer outros elementos não fornecidos pela Guillemot para este produto).

**THRUSTMASTER®**

**SUORTE TÉCNICO**

<https://support.thrustmaster.com>



## DIREITOS DE AUTOR

© 2020 Guillemot Corporation S.A. Todos os direitos reservados. Thrustmaster® é uma marca registada da Guillemot Corporation S.A.

AIRBUS, o respetivo logótipo e as marcas de serviços são marcas registadas da Airbus. Todos os direitos reservados.

© Airbus 2020. Todos os direitos reservados. Licenciado oficialmente pela Airbus.

Todas as outras marcas comerciais são pertencem aos respectivos proprietários. As ilustrações não são vinculativas. Os conteúdos, desenhos e especificações estão sujeitos a alteração sem aviso prévio e podem variar de país para país. Fabricado na China.

## RECOMENDAÇÕES DE PROTECÇÃO AMBIENTAL



Na União Europeia: Quando este produto chegar ao fim da sua vida útil, não o elimine juntamente com os resíduos domésticos normais; em vez disso, deixe-o num ponto de recolha de resíduos de equipamento eléctrico e electrónico (REEE) para posterior reciclagem.

O símbolo presente no produto, no manual de utilizador ou na caixa confirma-o.

Os materiais podem ser reciclados, dependendo das suas características. Através da reciclagem e de outras formas de processamento de resíduos de equipamento eléctrico e electrónico, pode dar um importante contributo no sentido de ajudar a proteger o ambiente.

Contacte as autoridades locais para saber onde fica o ponto de recolha mais perto da sua área de residência.

Relativamente a todos os outros países: Respeite a legislação local sobre a reciclagem de equipamento eléctrico e electrónico.

Informações a reter. As cores e as decorações podem variar.

Os fechos e os adesivos devem ser removidos do produto antes da utilização.

Este produto está em conformidade com as normas relativas às crianças com mais de 14 anos de idade. Não é recomendado às crianças com menos de 14 anos de idade.

[www.thrustmaster.com](http://www.thrustmaster.com)

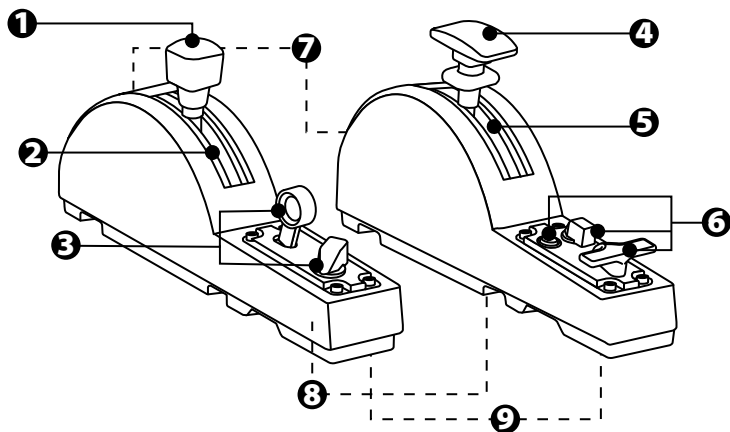
*\*Aplicável apenas à União Europeia e Turquia*

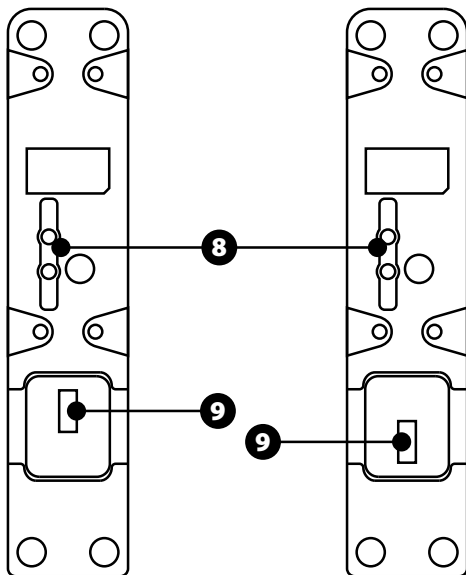


# TCA QUADRANT ADD-ON AIRBUS EDITION

Руководство пользователя

## ТЕХНИЧЕСКИЕ ХАРАКТЕРИСТИКИ

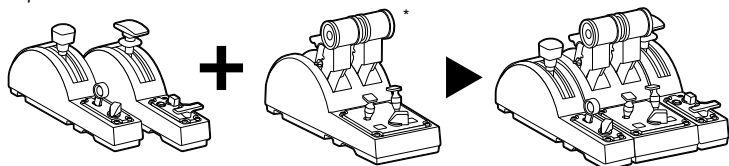




- |   |   |
|---|---|
| <ol style="list-style-type: none"> <li>1. Ось воздушного (аэродинамического) тормоза</li> <li>2. 4 фиксатора на оси + 5 виртуальных кнопок</li> <li>3. 6 командных кнопок</li> <li>4. Ось закрылков</li> <li>5. 4 фиксатора на оси</li> </ol> | <ol style="list-style-type: none"> <li>6. 4 командные кнопки</li> <li>7. Винт регулировки трения на каждом модуле</li> <li>8. Механизм включения и отключения фиксаторов на каждой оси</li> <li>9. Разъемы SATA для блока рычагов TCA Quadrant Airbus Edition (продается отдельно)</li> </ol> |
|---|---|

# ПОДКЛЮЧЕНИЕ МОДУЛЕЙ TCA QUADRANT ADD-ON AIRBUS EDITION К БЛОКУ РЫЧАГОВ TCA QUADRANT AIRBUS EDITION\*

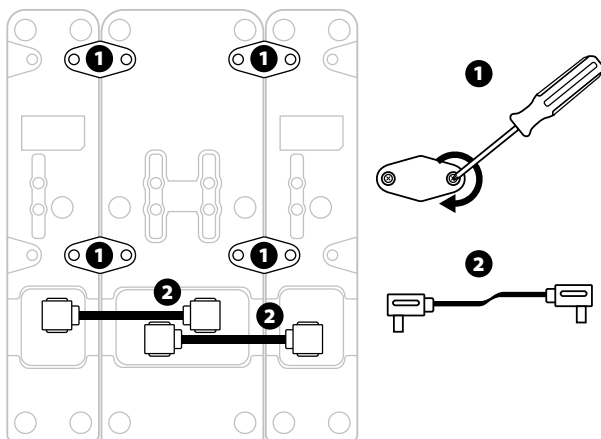
\*Продается отдельно

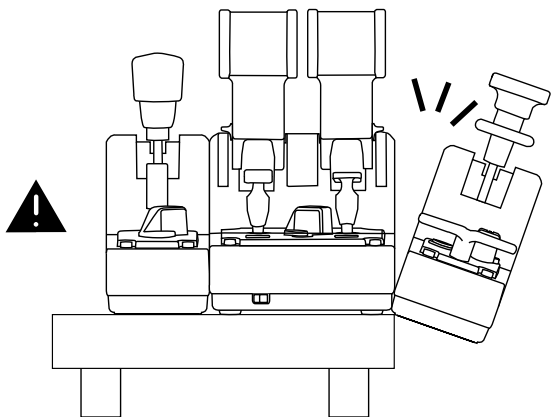
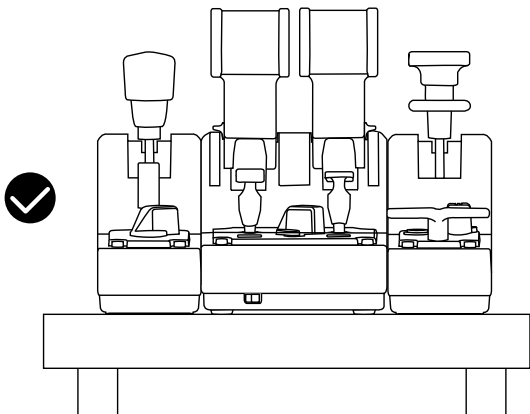


Для использования модулей TCA Quadrant Add-On Airbus Edition требуется блок рычагов TCA Quadrant Airbus Edition (продается отдельно). Модули TCA Quadrant Add-On Airbus Edition представляют собой расширение для блока рычагов TCA Quadrant Airbus Edition и работают только при их подключении с обеих сторон блока TCA Quadrant Airbus Edition.

Такая модульная конструкция позволяет добавить новые оси и командные кнопки и расширить кинематические характеристики (во время взлета, в полете и при посадке) блока TCA Quadrant Airbus Edition.

1. Переверните все устройства вверх дном и, используя соответствующую отвертку (в комплект не входит), при помощи винтов прикрутите четыре соединительных элемента, входящих в комплект блока рычагов TCA Quadrant Airbus Edition и модулей TCA Quadrant Add-On Airbus Edition, чтобы соединить все компоненты.
2. Подключите модуль воздушного тормоза с левой стороны блока рычагов TCA Quadrant Airbus Edition, а модуль закрылков — с правой, используя кабели SATA, которые поставляются вместе с модулями TCA Quadrant Add-On Airbus Edition.





- Во избежание повреждения устройств для закручивания или откручивания винтов используйте отвертку с соответствующим наконечником (в комплект не входит).
- Используйте только официальные кабели, поставляемые компанией Thrustmaster®: при необходимости это позволит обновить прошивку для блока рычагов TCA Quadrant Airbus Edition.
- Ни в коем случае не устанавливайте блок рычагов TCA Quadrant Airbus Edition, если один из модулей TCA Quadrant Add-On Airbus Edition находится либо у самого края стола, либо свешивается с него.

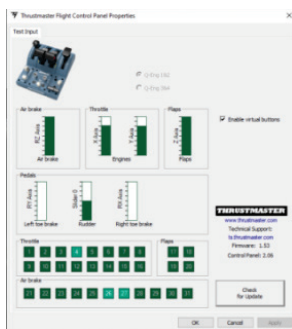
## УСТАНОВКА НА ПК

1. Перейдите на веб-сайт <https://support.thrustmaster.com/ru/>. Щелкните раздел **Джойстики / TCA Quadrant Airbus Edition** (или **TCA Quadrant Add-On Airbus Edition**) и выберите **Драйверы**. Загрузите и установите драйвер для ПК с его специальным интерфейсом для панели управления Windows.
2. После установки драйвера подключите USB-кабель блока рычагов TCA Quadrant Airbus Edition к USB-порту компьютера.
3. Для доступа к панели управления нажмите кнопку **Пуск/Приложения/Thrustmaster/Панель управления** (в Windows® 8, 8.1 и 10).

Откроется окно **Игровые устройства**.

В списке устройств подключенный аксессуар отображается как **TCA Q-Eng 1&2** (или **TCA Q-Eng 3&4**, в зависимости от положения переключателя для двигателей [5] на блоке TCA Quadrant Airbus Edition), и для него будет указан статус **OK**.

4. В окне **Игровые устройства** щелкните пункт **Свойства** для просмотра и проверки всех характеристик устройства, включая те, которые имеют отношение к модулям TCA Quadrant Add-On Airbus Edition.



**Enable virtual buttons (Включить виртуальные кнопки):** эта функция позволяет включать или выключать виртуальные кнопки, доступные на осях для блока рычагов и модуля воздушного тормоза. Выберите необходимый режим и нажмите кнопку **Apply (Применить)**.

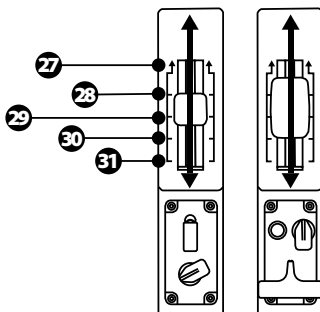
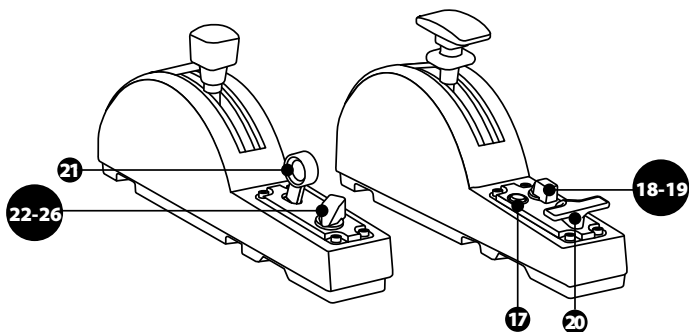
**Теперь вы готовы к игре!**



- Для использования модулей TCA Quadrant Add-On Airbus Edition требуется блок рычагов TCA Quadrant Airbus Edition (продается отдельно).
- Перейдите на веб-сайт <https://support.thrustmaster.com/ru/> для загрузки пакета драйверов, что позволит обновить прошивку вашего устройства для обеспечения более точного управления его функциями.



# НАЗНАЧЕНИЕ 15 КНОПОК И 2 ОСЕЙ МОДУЛЕЙ TCA QUADRANT ADD-ON AIRBUS EDITION



0 вверх  
ZR  
65 536 вниз

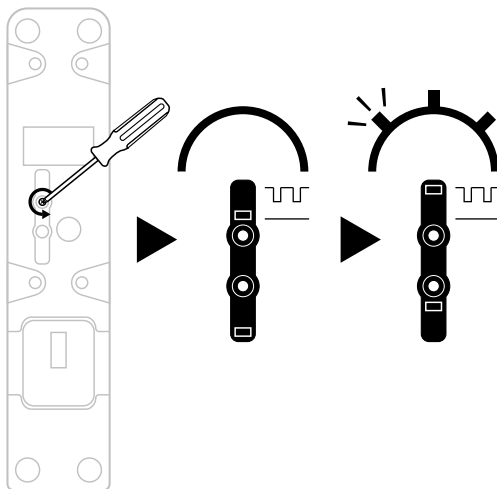
0 вверх  
Z  
65 536 вниз

## ИЗМЕНЕНИЕ ХАРАКТЕРИСТИК ОСЕЙ НА МОДУЛЯХ TCA QUADRANT ADD-ON AIRBUS EDITION

На модулях TCA Quadrant Add-On Airbus Edition имеются механические переключатели, позволяющие отключать фиксируемые положения или ступени на каждой оси. Благодаря этому вы можете задействовать ровные оси, при этом сохраняя виртуальные кнопки 27–31 на модуле воздушного тормоза.

Такой вариант позволяет корректировать стиль пилотирования в зависимости от типа воздушного судна, используемого в игре (коммерческий или гражданский самолет).

1. Переверните модули TCA Quadrant Add-On Airbus Edition вверх дном и с помощью соответствующей отвертки (в комплект не входит) открутите два винта для каждого переключателя.
2. Измените положение переключателей, используя указатели в качестве ориентира: это позволит выбрать либо ровную ось, либо ось с фиксируемыми положениями/ступенями для каждой оси на модулях TCA Quadrant Add-On Airbus Edition.

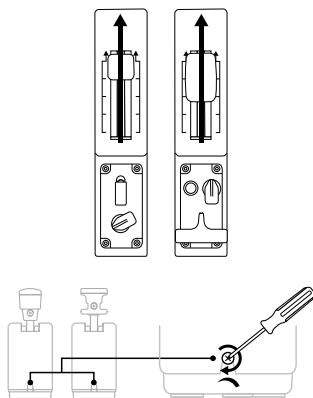


## РЕГУЛИРОВКА ТРЕНИЯ

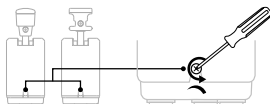
### ВАЖНЫЕ ЗАМЕЧАНИЯ:

- По умолчанию на модулях TCA Quadrant Add-On Airbus Edition для трения установлено значение 50%.
- Для точной настройки в соответствии с личными предпочтениями необходимо поворачивать винт регулировки трения — это можно сделать с помощью либо отвертки с соответствующим наконечником (в комплект не входит), либо поперечного стержня, поставляемого вместе с блоком рычагов TCA Quadrant Airbus Edition.

1. Переместите оба рычага модуля TCA Quadrant Add-On Airbus Edition до их максимальных значений, а затем вставьте отвертку (или поперечный стержень) в винт регулировки трения, расположенный на задней панели каждого модуля.
2. Для увеличения трения поворачивайте винт по часовой стрелке.



3. Для уменьшения трения поворачивайте винт против часовой стрелки.



- Чтобы не повредить систему трения, соблюдайте осторожность и не затягивайте винты регулировки слишком сильно: прекратите поворачивать их, как только почувствуете сопротивление.
- Не выкручивайте винты регулировки полностью, поскольку они могут упасть вовнутрь одного из модулей TCA Quadrant Add-On Airbus Edition.

## УСТАНОВКА БЛОКА РЫЧАГОВ TCA QUADRANT AIRBUS EDITION\* И МОДУЛЕЙ TCA QUADRANT ADD-ON AIRBUS EDITION НА ПОДСТАВКЕ TM FLYING CLAMP\*, В КАБИНЕ ПИЛОТА\* ИЛИ НА ДРУГОЙ НЕПОДВИЖНОЙ ПОВЕРХНОСТИ

\*Продается отдельно

Блок рычагов TCA Quadrant Airbus Edition с подключенными модулями TCA Quadrant Add-On Airbus Edition можно закрепить на неподвижной поверхности, используя для этого 6 прорезей, расположенных на нижней части блока, и винты М6 (в комплект не входят).

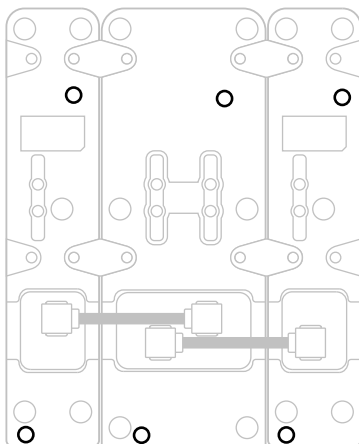
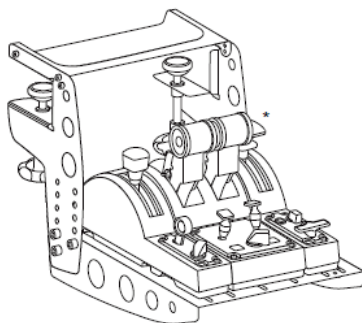
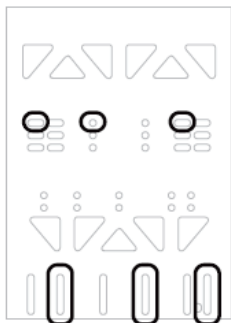


Схема крепления на фиксируемой подставке TM Flying Clamp\* (\*продается отдельно):



# РАСШИРЕННОЕ ПО ДЛЯ ПРОГРАММИРОВАНИЯ T.A.R.G.E.T

(Thrustmaster Advanced pRogramming Graphical EdiTor)

Перейдите на веб-сайт <https://support.thrustmaster.com/ru/>. Щелкните раздел **Джойстики / TCA Quadrant Airbus Edition** (или **TCA Quadrant Add-On Airbus Edition**) и выберите **Программное обеспечение**. Загрузите и установите расширенное ПО для программирования T.A.R.G.E.T.

Основные особенности программы T.A.R.G.E.T:

- Различные возможные конфигурации для осей.
- Различные возможные уровни программирования: Basic (базовый), Advanced (расширенный) и Script (сценарий).
- Поддержка метода перетягивания.
- Возможность комбинирования блока рычагов TCA Quadrant Airbus Edition с различными джойстиками Thrustmaster (HOTAS Cougar, HOTAS Warthog, T.16000M, MFD Cougar Pack, каждый из которых также совместим с программой T.A.R.G.E.T), благодаря чему они распознаются как одно USB-устройство.
- Доступ к расширенным профилям, созданным пользователями сообщества Thrustmaster.



## УСТРАНЕНИЕ НЕИСПРАВНОСТЕЙ И ПРЕДУПРЕЖДЕНИЯ



Перейдите на веб-сайт <https://support.thrustmaster.com/ru/> для загрузки пакета драйверов, что позволит обновить прошивку вашего устройства для обеспечения более точного управления его функциями.

- Модули TCA Quadrant Add-On Airbus Edition при их подключении к блоку рычагов TCA Quadrant Airbus Edition работают неправильно или, возможно, некорректно откалиброваны.
  - Перейдите на веб-сайт <https://support.thrustmaster.com/ru/> для проверки наличия новой версии прошивки: если она доступна, следуйте указаниям для ее загрузки и установки.
  - Выключите компьютер и извлеките USB-кабель, используемый для подключения блока рычагов TCA Quadrant Airbus Edition. Убедитесь в правильности подключения обеих кабелей SATA к устройствам.
  - Выключите компьютер и извлеките USB-кабель, используемый для подключения блока рычагов TCA Quadrant Airbus Edition. Затем снова вставьте USB-кабель, включите компьютер и запустите игру.
  - При подключении USB-кабеля блока рычагов TCA Quadrant Airbus Edition всегда оставляйте ось руля направления выровненной по центру, если вы используете систему руля направления TFRP (продается отдельно): во время этой операции ни в коем случае не ставьте ноги на педали системы руля направления TFRP.
- Не удастся настроить модули TCA Quadrant Add-On Airbus Edition для использования с блоком рычагов TCA Quadrant Airbus Edition.
  - Перейдите в меню игры Параметры/Контроллер/Геймпад или Джойстики и выберите подходящую конфигурацию или заново настройте параметры контролера.
  - Перейдите на веб-сайт <https://support.thrustmaster.com/ru/> для проверки наличия новой версии прошивки: если она доступна, следуйте указаниям для ее загрузки и установки.
  - Для получения дополнительной информации см. руководство пользователя или онлайн-справку для своей игры.
  - Также можно использовать расширенное ПО для программирования T.A.R.G.E.T (Thrustmaster Advanced pRogramming Graphical EdiTor).
- Модули TCA Quadrant Add-On Airbus Edition слишком или недостаточно чувствительны.
  - Оси модулей TCA Quadrant Add-On Airbus Edition автоматически калибруются по сле нескольких движений и после перемещения к физическим ограничителям для осей.
  - Перейдите в меню игры Параметры/Контроллер/Геймпад или Джойстик и настройте чувствительность и мертвые зоны для джойстика (если эти параметры доступны).
  - Также можно использовать расширенное ПО для программирования T.A.R.G.E.T (Thrustmaster Advanced pRogramming Graphical EdiTor).



Данные устройства предназначены для использования исключительно в игровых целях. Категорически запрещается использовать их для профессиональной подготовки пилотов.

## **Сведения о потребительской гарантии**

Корпорация Guillemot Corporation S.A., зарегистрированная по адресу Place du Granier, B. P. 97143, 35571 Chantepie, Франция, (далее — «Guillemot») гарантирует своим клиентам во всем мире, что в данном изделии Thrustmaster не будет выявлено никаких дефектов материалов и производства в течение гарантийного периода, который равен сроку предъявления претензии по соответствию для данного изделия. В странах Европейского Союза этот срок соответствует двум (2) годам с момента поставки изделия Thrustmaster. В других странах гарантийный период равен сроку предъявления претензии по соответствию для изделия Thrustmaster, определяемому соответствующим законодательством страны, в которой проживал потребитель на момент приобретения изделия Thrustmaster (если подобные претензии не действуют в соответствующей стране, гарантийный период равняется одному (1) году с первоначальной даты приобретения изделия Thrustmaster).

В случае обнаружения дефектов изделия во время гарантийного периода незамедлительно обратитесь в службу технической поддержки, сотрудники которой определяют дальнейшую процедуру. Если дефект будет подтвержден, изделие следует вернуть по месту приобретения (или в любое другое место, указанное службой технической поддержки).

В рамках действия гарантии дефектное изделие будет, по усмотрению службы технической поддержки, заменено или возвращено в рабочее состояние. Если в течение гарантийного срока изделие Thrustmaster будет подвергнуто такому восстановлению, к оставшемуся гарантийному сроку прибавляется период времени, но не менее семи (7) дней, во время которого изделие находилось вне употребления (началом этого периода считается дата запроса покупателя о вмешательстве или дата предоставления дефектного изделия для восстановления, если изделие было предоставлено для восстановления позднее, чем был сделан запрос о вмешательстве). В мере, разрешенной применимым законодательством, полная ответственность компании Guillemot и ее дочерних компаний (в том числе косвенный ущерб) ограничивается восстановлением рабочего состояния или заменой изделия Thrustmaster. В мере, разрешенной применимым законодательством, компания Guillemot отказывается от любых гарантий коммерческой пригодности или пригодности для определенной цели.

Настоящая гарантия не распространяется: (1) на ситуации, когда изделие было видоизменено, открыто, модифицировано или получило повреждения в результате недопустимого или неправильного использования, небрежности или несчастного случая, естественного износа или любой другой причины, не связанной с дефектом материалов или производства (включая, помимо прочего, использование изделия Thrustmaster совместно с любыми неподходящими элементами, в частности — с блоками питания, аккумуляторами, зарядными устройствами и любыми другими элементами, не входящими в комплектацию Guillemot для данного изделия); (2) на случаи использования продукта в любых целях, кроме бытовых, в том числе на случаи профессионального или коммерческого применения (например, в игровых залах, для проведения обучения и соревнований); (3) на ситуации, когда указания службы технической поддержки не были выполнены; (4) на ПО, так как на такое ПО распространяется отдельная гарантия; (5) на расходные материалы (элементы, предназначенные для замены в течение срока службы изделия: например, батарейки и ушные подушки для гарнитур или наушников); (6) на аксессуары (например, кабели, чехлы, сумки, футляры, наручные ремешки); (7) на случаи продажи изделия с открытого аукциона. Данная гарантия не подлежит передаче.

Настоящая гарантия не ущемляет прав потребителя, предоставляемых ему применимым и законами в отношении продажи потребительских товаров в соответствующей стране.

### Дополнительные условия гарантии

В течение гарантийного срока компания Guillemot, в общем и целом, не предоставляет никаких запасных частей, так как вскрытие и/или модификацию любых изделий Thrustmaster вправе осуществлять только служба технической поддержки (за исключением каких-либо процедур по модификации, которые служба технической поддержки может предложить выполнить клиенту путем письменных инструкций и предоставления, при необходимости, требуемых запасных частей: например, в связи с отсутствием статуса сложности или конфиденциальности у такой восстановительной процедуры).

С учетом периода освоения новых изделий и в целях защиты своих ноу-хау и коммерческих тайн компания Guillemot, в общем и целом, не предоставляет каких-либо уведомлений о восстановлении или запасных частей для любых изделий Thrustmaster с истекшим гарантийным сроком.

### Ответственность

В мере, разрешенной применимым законодательством, компания Guillemot Corporation S.A. (далее — «Guillemot») и ее дочерние предприятия отказываются от любой ответственности за любой ущерб, вызванный одним или несколькими из следующих факторов: (1) видоизменение, вскрытие или модификация изделия; (2) несоблюдение инструкций по сборке; (3) недопустимое или неправильное использование, небрежность, несчастный случай (например, физическое воздействие); (4) естественный износ; (5) использование продукта в любых целях, кроме бытовых, в том числе профессиональное или коммерческое применение (например, в игровых залах, для проведение обучения и соревнований). В мере, разрешенной применимым законодательством, компания Guillemot и ее дочерние предприятия отказываются от любой ответственности за любой ущерб, не связанный с дефектами материалов или изготовления, в отношении данного изделия (включая, помимо прочего, любой ущерб, вызванный прямо или опосредованно любым программным обеспечением или использованием изделия Thrustmaster с любыми неподходящими элементами, в частности — блоками питания, аккумуляторами, зарядными устройствами и любыми другими элементами, не входящими в комплектацию Guillemot для данного изделия).

**THRUSTMASTER®**

ТЕХНИЧЕСКОЙ ПОДДЕРЖКИ

<https://support.thrustmaster.com/ru/>





## **АВТОРСКОЕ ПРАВО**

© 2020 Guillemot Corporation S.A. Все права защищены. Thrustmaster® является зарегистрированной торговой маркой Guillemot Corporation.

AIRBUS, логотип, а также знаки продукции и обслуживания являются зарегистрированными товарными знаками корпорации Airbus. Все права защищены.

© Airbus, 2020. Все права защищены. Продукт, официально лицензированный корпорацией Airbus.

Все прочие торговые марки являются собственностью соответствующих владельцев.

Иллюстрации могут не соответствовать внешнему виду/функциям конкретного изделия.

Содержание руководства, конструкция и технические характеристики изделия изменяются без предварительного уведомления и зависят от страны приобретения.

При пользовании изделием учитывайте следующее: цвета и дизайн могут различаться.

Пластиковые стяжки и клейкую ленту следует снять перед использованием изделия.

Настоящий продукт соответствует всем стандартам в отношении детей в возрасте 14 лет и старше. Использование данного продукта детьми младше 14 лет недопустимо.

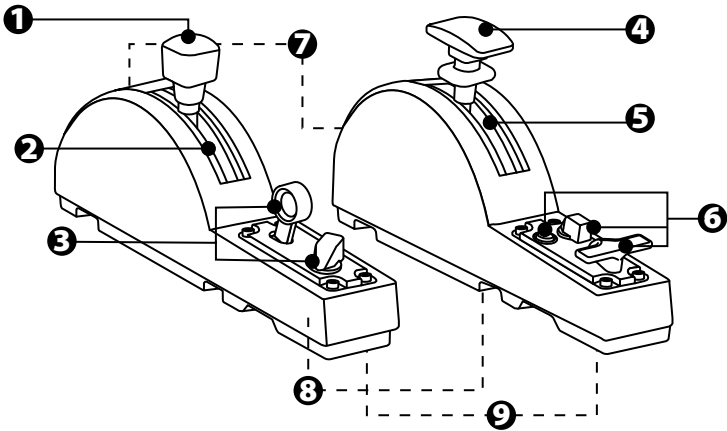
**[www.thrustmaster.com](http://www.thrustmaster.com)**

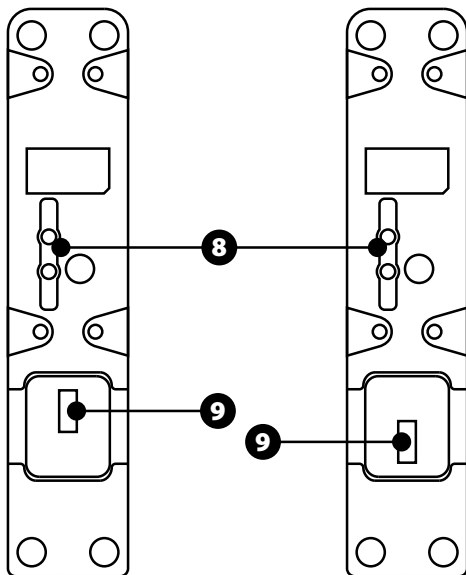


# TCA QUADRANT ADD-ON AIRBUS EDITION

Uživatelský manuál

## TECHNICKÉ VLASTNOSTI

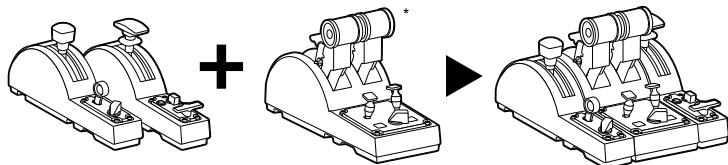




- |   |  |
|---|--|
| <ol style="list-style-type: none"> <li>1. Osa aerodynamické (vzdušné brzdy)</li> <li>2. 4 zarážky na osách + 5 virtuálních tlačítek</li> <li>3. 6 akčních tlačítek</li> <li>4. Osa vztlačových klapek</li> <li>5. 4 zarážky na ose</li> </ol> | <ol style="list-style-type: none"> <li>6. 4 akční tlačítka</li> <li>7. Šroub pro nastavení odporu (tření) na každém modulu</li> <li>8. Mechanismus pro povolení/zakázání zarážek na každé ose</li> <li>9. Konektor SATA pro TCA Quadrant Airbus Edition (prodává se samostatně)</li> </ol> |
|---|--|

# PŘIPOJENÍ MODULŮ TCA QUADRANT ADD-ON AIRBUS EDITION K TCA QUADRANT AIRBUS EDITION\*

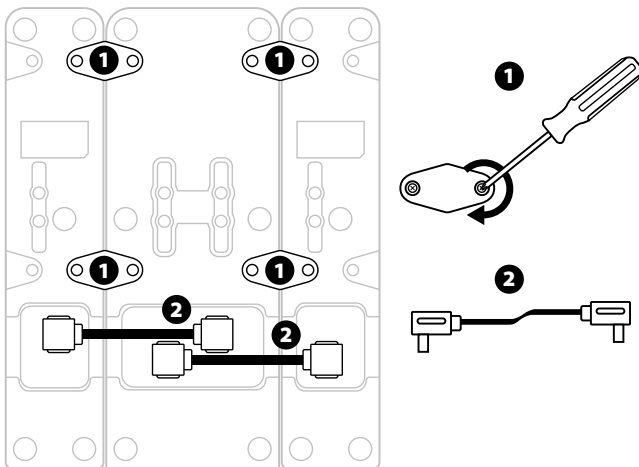
\*Prodává se samostatně

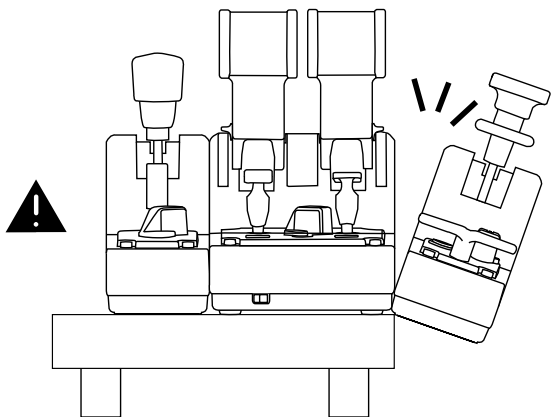
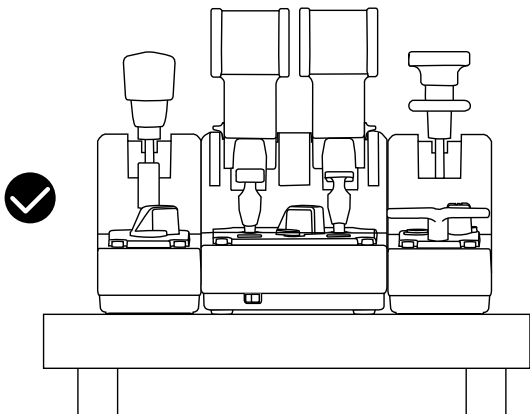


Abyste mohli používat moduly TCA Quadrant Add-On Airbus Edition, musíte vlastnit TCA Quadrant Airbus Edition (prodává se samostatně). Moduly TCA Quadrant Add-On Airbus Edition jsou rozšířením kvadrantu ovládnání tahu motorů TCA Quadrant Airbus Edition, a fungují pouze pokud jsou připojeny po stranách TCA Quadrant Airbus Edition.

Tato modularita přidává nové osy a tlačítka a umožňuje rozšíření kinematiky (při startu, za letu a při přistání) TCA Quadrant Airbus Edition.

1. Všechna zařízení otočte vzhůru nohama a za pomoci šroubováku s odpovídajícím tvarem hlavy (není součástí dodávky) přišroubujte čtyři připevňovací díly dodávané s moduly TCA Quadrant Airbus Edition a TCA Quadrant Add-On Airbus Edition tak, aby byly všechny pevně spojeny dohromady.
2. Připojte modul aerodynamické brzdy na levou stranu TCA Quadrant Airbus Edition a modul vztlkových klapek na pravou stranu za použití SATA kabelů dodávaných s TCA Quadrant Add-On Airbus Edition.





- Aby nedocházelo k poškození výrobků, použijte při utahování nebo povdování šroubů, šroubovák s odpovídajícím tvarem hlavy (není součástí dodávky).
- Používejte pouze kabely dodané společností Thrustmaster: ty vám umožní, v případě potřeby, aktualizovat firmware TCA Quadrant Airbus Edition.
- Nikdy neumisťujte TCA Quadrant Airbus Edition s připojenými moduly TCA Quadrant Add-On Airbus Edition do blízkosti nebo na okraj stolu nebo stolu.

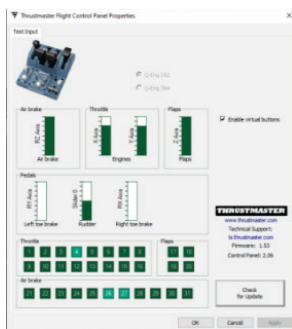
## INSTALACE NA PC

1. Prosím navštivte stránky <https://support.thrustmaster.com>. Klikněte na **Joysticks / TCA Quadrant Airbus Edition** (nebo **TCA Quadrant Add-On Airbus Edition**), a zvolte **Drivers**. Stáhněte a nainstalujte ovladač pro PC a jeho přizpůsobené rozhraní pro ovládací panely Windows.
2. Po instalaci ovladače pro PC, připojte USB kabel TCA Quadrant Airbus Edition k jednomu z USB rozhraní na vašem PC.
3. Pro přístup k ovládacímu panelu, klikněte na **Start / Aplikace / Thrustmaster / Ovládací panely** (ve Windows® 10 / 8.1 / 8).

Zobrazí se dialogové okno **Herních ovladačů**.

Na displeji se zobrazí příslušenství pod názvem **TCA Q-Eng 1&2** (nebo **TCA Q-Eng 3&4**, v závislosti na pozici přepínače motorů [5] na TCA Quadrant Airbus Edition), spolu se stavem **OK**.

4. V dialogovém okně **Herních ovladačů**, klikněte na **Vlastnosti**, kde si můžete prohlédnout a otestovat všechny vlastnosti, včetně vlastností týkajících se modulů TCA Quadrant Add-On Airbus Edition.



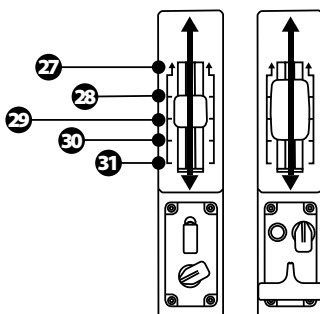
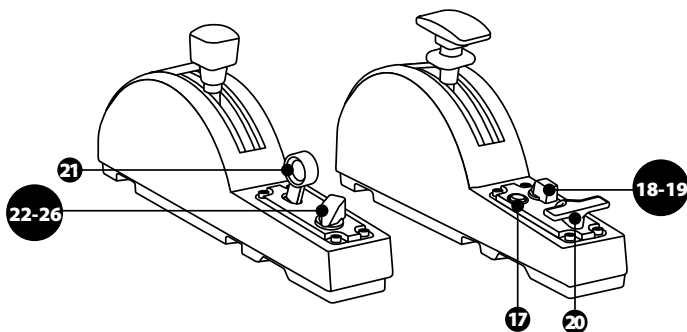
**Enable virtual buttons (Povolení virtuálních tlačítek):** tato funkce vám umožní povolit nebo zakázat dostupná virtuální tlačítka na osách kvadrantu ovládní tahu motorů a na modulu aerodynamické brzdy. Jakmile máte vybrán modul, který chcete použít, klikněte na **Apply (Použít)**.

Nyní jste připraveni ke hraní!

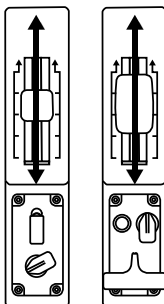


- Abyste mohli používat moduly TCA Quadrant Add-On Airbus Edition, musíte vlastnit TCA Quadrant Airbus Edition (prodává se samostatně).
- Navštivte <https://support.thrustmaster.com>, stáhněte si balíček ovladačů, který vám umožní aktualizovat firmware výrobku a poskytnete vám detailnější kontrolu vlastností výrobku.

# MAPOVÁNÍ 15 TLAČÍTEK A 2 OS MODULU TCA QUADRANT ADD-ON AIRBUS EDITION



0 up  
ZR  
65536 down



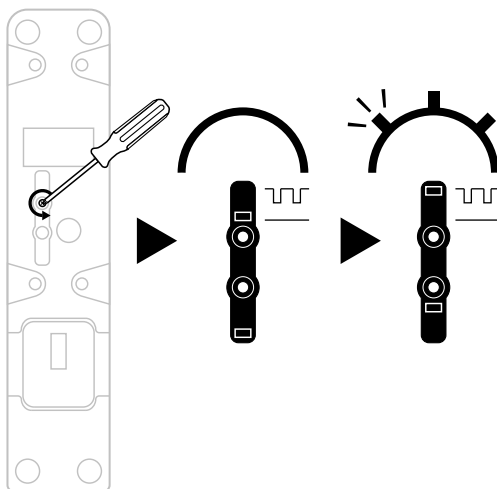
0 up  
Z  
65536 down

# PROVÁDĚNÍ ZMĚN NA OSÁCH MODULŮ TCA QUADRANT ADD-ON AIRBUS EDITION

Moduly TCA Quadrant Add-On Airbus Edition jsou vybaveny mechanickými voliči, které vám umožní na každé ose zakázat zarážky/zářezy. To vám umožní plynulý chod na každé ose, při zachování tlačítek 27 až 31 na modulu aerodynamické brzdy.

Tato možnost umožní měnit pocity z pilotáže podle letadla použitého ve vaší simulaci (obchodní nebo civilní letadlo).

1. Moduly TCA Quadrant Add-On Airbus Edition obraťte vzhůru nohama a odšroubujte dva šrouby na každém voliči za použití šroubováku s odpovídajícím tvarem hlavy (není součástí dodávky).
2. Pomocí indikátorů jako vodiček, přepněte polohu voliče: to vám umožní zdvit buď plynulý chod na ose, nebo chod se zarážkami/zářezy na každé ose modulů TCA Quadrant Add-On Airbus Edition.

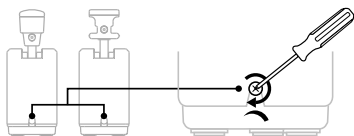
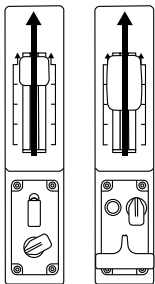




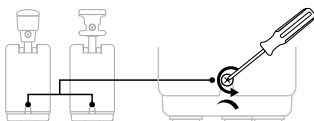
# NASTAVENÍ ODPORU (TŘENÍ)

## DŮLEŽITÉ POZNÁMKY:

- Na modulech TCA Quadrant Add-On Airbus Edition je odpor (tření) ve výchozím stavu nastaven na 50 %.
  - Pokud chcete odpor (tření) přesně nastavit, podle vašich preferencí, můžete použít buď šroubovák s odpovídajícím tvarem hlavy (není součástí dodávky) — nebo příčník, který je součástí dodávky TCA Quadrant Airbus Edition — a otáčením nastavovacího šroubu odpor (tření) nastavit.
1. Obě páky modulu TCA Quadrant Add-On Airbus Edition zatlačte dopředu na maximální hodnotu, tím získáte přístup ke šroubu nastavení odporu (tření) na spodní straně každého modulu.
  2. Pro zvýšení odporu (tření), otáčejte šroubem ve směru hodinových ručiček.



3. Pro snížení odporu (tření), otáčejte šroubem proti směru hodinových ručiček.



- Abyste zabránili poškození třecího systému, buďte opatrní a příliš neutahujte nastavovací šrouby: v okamžiku, kdy při utahování ucítíte odpor, přestaňte šrouby utahovat.
- Nikdy šrouby úplně nevyšroubovávejte, aby nedošlo k jejich zapadnutí dovnitř modulu TCA Quadrant Add-On Airbus Edition.

# PŘIPEVNĚNÍ MODULŮ TCA QUADRANT AIRBUS EDITION\* A TCA QUADRANT ADD-ON AIRBUS EDITION K TM FLYING CLAMP\*, KE KOKPITU\* NEBO K JINÉ STABILNÍ PODLOŽCE

\*Prodává se samostatně

Pokud jsou připojeny moduly TCA Quadrant Add-On Airbus Edition, můžete pro připevnění použít 6 otvorů umístěných ve spodní části TCA Quadrant Airbus Edition a tím připevnit všechny zařízení ke stabilní podložce pomocí M6 šroubů (nejsou součástí dodávky).

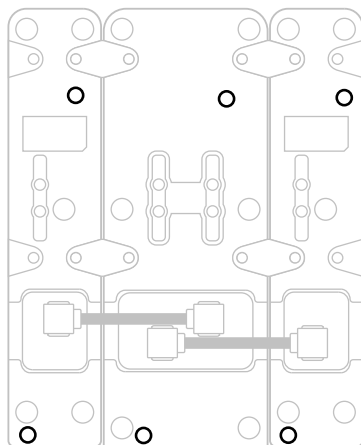
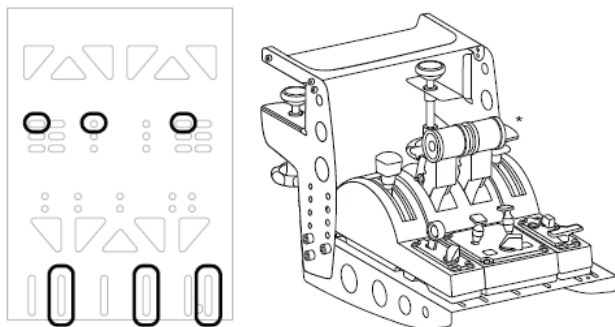


Schéma upevnění TM Flying Clamp\* (\*prodává se samostatně):



# T.A.R.G.E.T POKROČILÝ PROGRAMOVACÍ SOFTWARE

(Thrustmaster Advanced pRogramming Graphical EdiTor)

Navštivte prosím webové stránky <https://support.thrustmaster.com>. Klikněte na **Joysticks / TCA Quadrant Airbus Edition** (nebo **TCA Quadrant Add-On Airbus Edition**), pak vyberte **Software**. Stáhněte si a nainstalujte pokročilý programovací software T.A.R.G.E.T.

Hlavní vlastnosti softwaru T.A.R.G.E.T:

- Různé možné konfigurace os.
- Různé možné programovací úrovně: Basic, Advanced a Script.
- Použití metody Drag and Drop.
- Možnost kombinovat ovladač tahu motorů TCA Quadrant Airbus Edition s různými joysticky Thrustmaster (HOTAS Cougar, HOTAS Warthog, T. 16000M, MFD Cougar Pack, z nichž jsou všechny také kompatibilní s T.A.R.G.E.T), což umožňuje, aby byly rozpoznány jako jedno USB zařízení.
- Přístup k pokročilým profilům, které byly vytvořeny komunitou Thrustmaster.



## ŘEŠENÍ PROBLÉMŮ A UPOZORNĚNÍ



Navštivte <https://support.thrustmaster.com>, stáhněte si balíček ovladačů, který vám umožní aktualizovat firmware výrobku a poskytnete vám detailnější kontrolu vlastností výrobku.

- **Můj modul TCA Quadrant Add-On Airbus Edition nepracuje správně, nebo jak se zdá je chybně nakalibrován při připojení k TCA Quadrant Airbus Edition.**
  - Navštivte <https://support.thrustmaster.com>, zkontrolujte, zda není dostupná nejnovější verze firmwaru: pokud ano, postupujte podle instrukcí pro stažení a instalaci.
  - Vypněte váš počítač, odpojte všechny USB konektory k ovládání tahu motorů TCA Quadrant Airbus Edition. Zkontrolujte, zda jsou oba SATA kabely správně připojeny k zařízení.
  - Vypněte váš počítač, odpojte všechny USB konektory k ovládání tahu motorů TCA Quadrant Airbus Edition. USB kabely opět připojte, zapněte vaše PC a restartujte svůj hru.
  - Při připojování USB kabelů k ovládání tahu motorů TCA Quadrant Airbus Edition, vždy, pokud používáte TFRP (prodává se samostatně), ponechte ve středové poloze; nikdy při připojování nepokládejte nohy na pedály směrovky TFRP.
- **Nemohu nakonfigurovat mé moduly TCA Quadrant Add-On Airbus Edition s mým ovládáním tahu motorů TCA Quadrant Airbus Edition.**
  - V menu nabídky hry Možnosti / Ovladač / Gamepad nebo Joystick zvolte příslušnou konfiguraci nebo všechny možnosti ovladače přeprogramujte.
  - Navštivte <https://support.thrustmaster.com>, zkontrolujte, zda není dostupná nejnovější verze firmwaru: pokud ano, postupujte podle instrukcí pro stažení a instalaci.
  - Pro další informace nahlédněte do Uživatelského manuálu ke hře, nebo vyhledejte online pomoc.
  - Také můžete použít pokročilý programovací software T.A.R.G.E.T (Thrustmaster Advanced Programming Graphical Editor).
- **Moje moduly TCA Quadrant Add-On Airbus Edition jsou příliš citlivé, nebo nejsou dostatečně citlivé.**
  - Osy modulů TCA Quadrant Add-On Airbus Edition se sami automaticky nakalibrují po několika pohybech a poté co dosáhnou fyzické stopky os.
  - V menu nabídky hry Možnosti / Ovladač / Gamepad nebo Joystick, nastavte citlivost a mrtvé zóny vašeho ovladače (pokud tyto volby jsou dostupné).
  - Také můžete použít pokročilý programovací software T.A.R.G.E.T (Thrustmaster Advanced Programming Graphical Editor).



Tato zařízení jsou určena pouze pro účely herní zábavy. Je přísně zakázáno tato zařízení používat pro profesionální tréninkové aktivity.

## SPOTŘEBITELSKÉ INFORMACE O ZÁRUČE

Celosvětově, Guillemot Corporation S.A., jejíž sídlo se nachází na Place du Granier, B.P. 97143, 35571 Chantepie, France (dále jen "Guillemot") zaručuje spotřebiteli, že tento výrobek od Thrustmasteru bude bez závad materiálu a zpracování, po dobu záruční doby od okamžiku převzetí výrobku ve shodě s ohledem na tento výrobek. V zemích Evropské Unie, tato doba odpovídá dvěma (2) letům od dodání výrobku Thrustmaster. V ostatních zemích, záruční doba odpovídá časovému intervalu od převzetí výrobku Thrustmaster v souladu s platnými zákony země, ve které měl spotřebitel trvalý pobyt ke dni nákupu výrobku Thrustmaster (pokud žádná takové opatření v příslušné zemi neexistuje, záruční doba bude jeden (1) rok od data nákupu výrobku Thrustmaster).

Bez ohledu na výše uvedené podmínky, je záruční doba na dobijecí baterie omezena na dobu šesti (6) měsíců od původního datumu nákupu.

Pokud se u výrobku během záruční doby objeví závada, neprodleně kontaktujte Technickou podporu, kde vám naznačí postup, jak záruku uplatnit. Pokud bude závada uznána, výrobek musí být vrácen prodávajícímu, kde byl zakoupen (nebo na jiné místo, které určí Technická podpora). V rámci této záruky, bude vadný výrobek podle Technické podpory buď vyměněn nebo uveden do funkčního stavu. Pokud bude během záruční doby výrobek Thrustmasteru opravován, bude záruční doba o dobu, kdy nebylo možné výrobek používat prodloužena, nejméně alespoň o sedm (7) dní (tato doba začíná datem, kdy zákazník požádal o vyřízení reklamace nebo od data, kdy dotyčný produkt byl k dispozici pro opravu, pokud datum předání výrobku k opravě je po datu žádosti o vyřízení reklamace). Pokud to umožňují platné zákony, je plná odpovědnost společnosti Guillemot a jejich dceřiných společností (včetně následných škod) omezena na navrácení produktu do provozuschopného stavu nebo na výměnu výrobku Thrustmaster. Pokud to umožňují platné zákony, Guillemot se zříká všech záruk obchodovatelnosti nebo vhodnosti pro určitý účel. Tato záruka se nevztahuje na: (1) pokud byl výrobek modifikován, otevřen, změněn nebo utrpěl poškození v důsledku nevhodného nebo nesprávného používání, nedbalosti, nehody, běžného opotřebení, nebo jakékoli jiné příčiny, nesouvisející s vadou materiálu nebo zpracování (včetně, ale ne pouze, při kombinaci výrobku Thrustmaster s jakýmkoli nevhodným prvkem, včetně zejména napájecích adaptérů, nabíjecích baterií, nabíječky, nebo jiných prvků, které nebyly k tomuto výrobku dodány společností Guillemot); (2) pokud byl výrobek používán pro jiné účely než domácí použití, včetně profesionálních a komerčních účelů (např. v hernách, při tréninku, při závodech); (3) v případě nedodržení pokynů poskytovaných Technickou podporou; (4) software, na zmíněný software je poskytována zvláštní záruka; (5) spotřební materiál (prvky, které mohou být vyměněny v průběhu životnosti produktu: baterie na jedno použití, náhlavní sluchátkové soupravy nebo např. náušníky sluchátek); (6) příslušenství (například kabely, pouzdra, brašny, zápisní řemínky); (7) pokud byl výrobek prodán ve veřejné aukci.

Tato záruka je nepřenositelná.

Zákonná práva spotřebitele vzhledem k platným zákonům vztahujícím se na prodej spotřebního zboží v jeho nebo její zemi nejsou touto zárukou ovlivněny.

## Další ustanovení o záruce

V průběhu záruční doby, Guillemot zásadně nedodává žádné náhradní díly, neboť Technická podpora je jedinou stranou autorizovanou k demontáži a opravě jakéhokoliv produktu Thrustmaster (s výjimkou jakékoli opravy, o kterou zákazník požádá Technická podpora prostřednictvím písemných pokynů, například z důvodu jednoduchosti a neutajovaného postupu opravy a poskytnutím požadovaných náhradních dílů, jsou-li použitelné).

Vzhledem ke svému inovačnímu cyklu a s cílem ochrany know-how a obchodního tajemství, nesmí Guillemot zásadně poskytovat jakékoliv vyrozumění o opravách nebo náhradních dílech jakéhokoliv výrobku Thrustmaster, jehož záruční doba již vypršela.

## Odpovědnost

Pokud to povolují příslušné zákony, Guillemot Corporation S.A. (dále jen "Guillemot") a její dceřiné společnosti se zříkají veškeré odpovědnosti za škody způsobené jedním nebo více následujícími body: (1) výrobek byl modifikován, otevřen nebo pozměněn; (2) nedodržení návodu k montáži; (3) nevhodné nebo nesprávné používání, nedbalost, nehoda (například náraz); (4) běžné opotřebení; (5) použití výrobku pro jakékoliv jiné než domácí použití, včetně profesionálního nebo komerčního použití (například v hernách, pro výcvik, při soutěžích). Pokud to povolují příslušné zákony, Guillemot a její dceřiné společnosti se zříkají veškeré odpovědnosti za jakékoliv škody, které nesouvisí s použitými materiály nebo výrobní vadou příslušného výrobku (včetně, ale nikoliv výhradně, veškerých škod způsobených přímo nebo nepřímo softwarem, nebo kombinací výrobku Thrustmaster s jakýmkoliv nevhodným prvkem včetně zejména napájecími zdroji, dobíjecími bateriemi, nabíječkami nebo jakýmkoliv jinými prvky, které nebyly společností Guillemot k tomuto výrobku dodány).

**THRUSTMASTER®**

**TECHNICKÁ PODPORA**

<https://support.thrustmaster.com>



## COPYRIGHT

© 2020 Guillemot Corporation S.A. Všechna práva vyhrazena. Thrustmaster® je registrovaná obchodní známka společnosti Guillemot Corporation S.A. Windows® je registrovaná obchodní známka společnosti Microsoft Corporation ve Spojených státech a/nebo v dalších zemích.

AIRBUS, jeho logo, produkt a servisní značky jsou ochranné známky společnosti Airbus. Všechna práva vyhrazena.

© Airbus 2020. Všechna práva vyhrazena. Oficiálně licencováno společností Airbus.

Všechny ostatní obchodní známky jsou ve vlastnictví příslušných vlastníků. Obrázky nejsou závazné. Obsah, design a specifikace mohou být změněny bez předchozího upozornění a mohou se v jednotlivých zemích lišit. Vyrobeno v Číně.

## DOPORUČENÁ OCHRANA ŽIVOTNÍHO PROSTŘEDÍ



V zemích Evropské unie: Na konci životnosti by tento výrobek neměl být vhozen do standardního směsného odpadu, ale odevzdán do sběrného dvoru na recyklaci elektrických a elektronických zařízení.

Toto je potvrzeno symbolem, který je na výrobku, v uživatelském manuálu nebo na obalu.

V závislosti na charakteristice materiálů, mohou být tyto recyklovány.

Recyklací a dalšími formami zpracování odpadních elektrických a

elektronických zařízení můžete významným způsobem přispět k ochraně životního prostředí.

Pro informace o nejbližším sběrném dvoru se obraťte na místní úřad.

Pro všechny ostatní země: Dodržujte prosím místní předpisy týkající se recyklace elektrických a elektronických zařízení.

Tyto informace si uchovejte. Barvy a dekorace se mohou lišit.

Před použitím by měly být z výrobku odstraněny plastové spojovací lepicí materiály.

Tento výrobek splňuje všechny standardy týkající se dětí ve věku 14 let a starších. Tento výrobek není vhodný pro děti mladší 14 let.

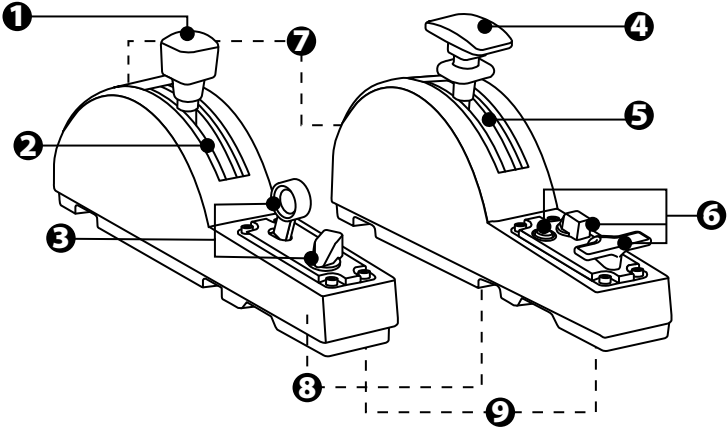
**[www.thrustmaster.com](http://www.thrustmaster.com)**

*\*Platné pouze pro EU a Turecko*

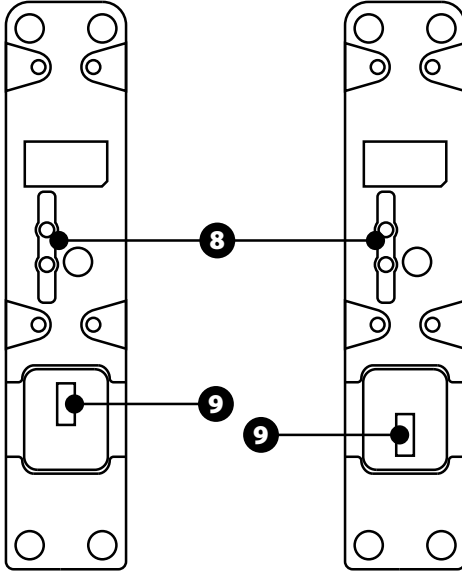
# TCA QUADRANT ADD-ON AIRBUS EDITION

Kullanma kılavuzu

## TEKNİK ÖZELLİKLER



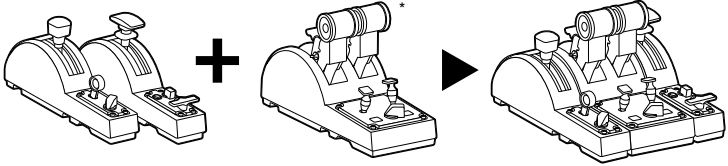




1. Hız freni (hava freni) eksenini
2. Eksen üzerinde 4 pozisyon + 5 sanal düğme
3. 6 eylem düğmesi
4. Flap eksenini
5. Eksen üzerinde 4 pozisyon
6. 4 eylem düğmesi
7. Her modülde sürtünme ayar vidası
8. Her ekseninde pozisyonları devre dışı bırakma/devreye alma mekanizması
9. TCA Quadrant Airbus Edition (ayrı olarak satılır) için SATA konektörleri

# TCA QUADRANT ADD-ON AIRBUS EDITION MODÜLLERİNİ TCA QUADRANT AIRBUS EDITION\*A BAĞLAMA

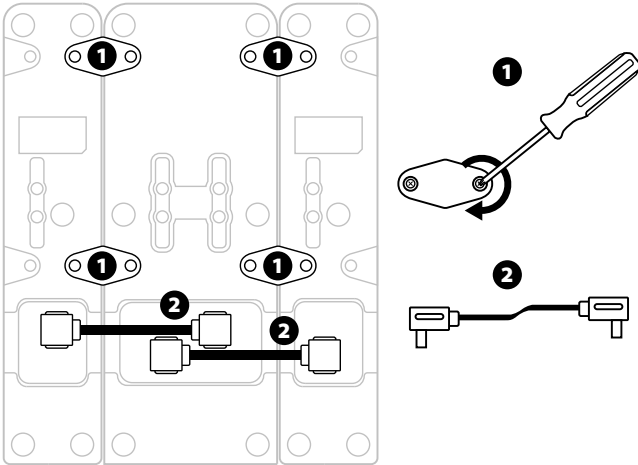
\*Ayrı olarak satılır

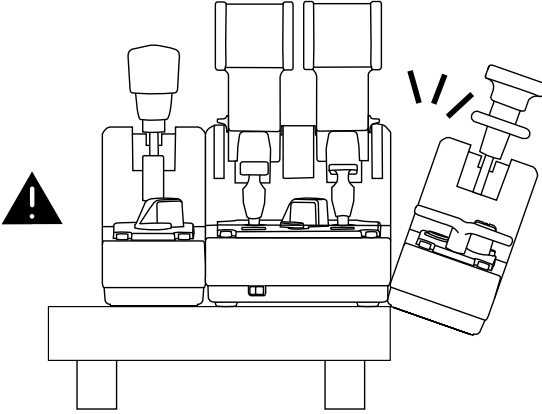
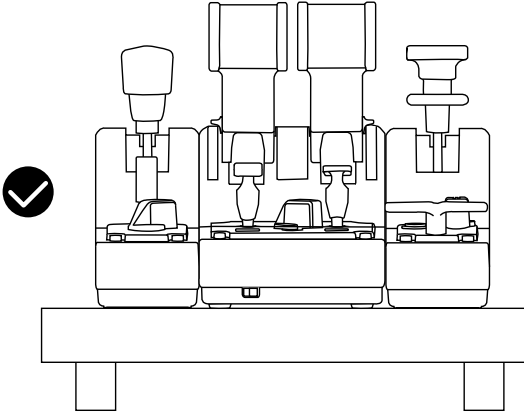


TCA Quadrant Add-On Airbus Edition modüllerini kullanmak için bir TCA Quadrant Airbus Edition'a (ayrı olarak satılır) sahip olmanız gerekir. TCA Quadrant Add-On Airbus Edition modülleri TCA Quadrant Airbus Edition gaz kolu kadranının bir uzantısıdır ve sadece TCA Quadrant Airbus Edition'ın her iki tarafına bağlandıklarında çalışır.

Bu modülerlik yeni eksenler ve eylem düğmeleri ekler ve TCA Quadrant Airbus Edition'ın kinematiklerini (kalkış, uçuş ve iniş) genişletmenizi sağlar.

1. Tüm cihazları ters çevirin ve her şeyi birbirine takmak için uygun uç şekline sahip bir tornavida (ürünle verilmez) kullanarak TCA Quadrant Airbus Edition ve TCA Quadrant Add-On Airbus Edition modülleri ile birlikte verilen dört montaj parçasını vidalayın.
2. Hız freni modülünü TCA Quadrant Airbus Edition'ın sol tarafına ve flap modülünü sağ tarafına, TCA Quadrant Add-On Airbus Edition ile birlikte verilen SATA kablolarını kullanarak bağlayın.





- Ürünlerin zarar görmesini engellemek için vidaları sıkıkmak/gevşetmek için uygun uç şekline sahip bir tornavida (ürünle verilmez) kullanın.
- Sadece Thrustmaster tarafından verilen resmi kabloları kullanın. Bu, gerektiğinde TCA Quadrant Airbus Edition'ın donanım yazılımını güncellemenizi sağlar.
- TCA Quadrant Airbus Edition'ı, TCA Quadrant Add-On Airbus Edition modülleri herhangi biri bir masa veya sıra kenarının yanında veya dışında asılı olacak şekilde asla konumlandırmayın.

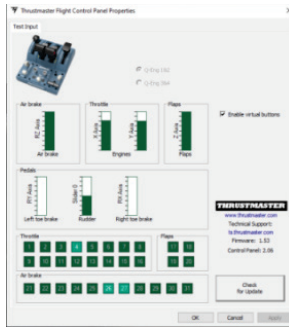
## PC'DE KURULUM

1. Lütfen <https://support.thrustmaster.com> adresine gidin. **Joysticks / TCA Quadrant Airbus Edition** (veya **TCA Quadrant Add-On Airbus Edition**) ögesine tıklayın ve **Drivers'** seçin. PC sürücüsünü ve Windows Denetim Masası için özel arayüzünü indirip yükleyin.
2. PC sürücüsü yükledikten sonra TCA Quadrant Airbus Edition'ın USB konektörünü PC'nizin USB portlarından birine bağlayın.
3. Denetim Masasına erişmek için **Başlat / Uygulamalar / Thrustmaster / Denetim Masasına** tıklayın (Windows® 10 / 8.1 / 8'de).

**Oyun Kumandaları** iletişim kutusu açılır.

Aksesuar ekranda, **TCA Q-Eng 1&2** (veya TCA Quadrant Airbus Edition'da motorlar için seçme düğmesinin [5] konumuna bağlı olarak **TCA Q-Eng 3&4**) adıyla durumu **OK** olarak listelenir.

4. TCA Quadrant Add-On Airbus Edition modülleri ile ilgili olanlar da dahil olmak üzere tüm özellikleri test etmek ve görmek için **Oyun Kumandaları** iletişim kutusunda **Özellikler** ögesine tıklayın.



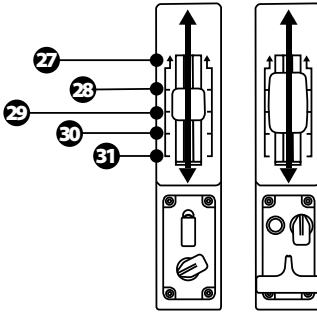
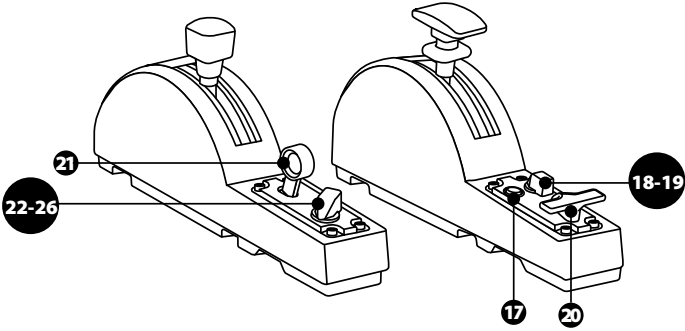
**Enable virtual buttons (Sanal düğmeleri etkinleştir):** Bu özellik gaz kolukadranı ve hız freni modülü ekseninde mevcut sanal düğmeleri devreye almanızı veya devre dışına çıkarmanızı sağlar. Kullanmak istediğiniz modu seçtikten sonra **Apply (Uygula)** düğmesini e tıklayın.

**Artık oynamaya hazırsınız!**

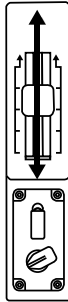


- TCA Quadrant Add-On Airbus Edition modüllerini kullanmak için bir TCA Quadrant Airbus Edition'a (ayrı olarak satılır) sahip olmanız gerekir.
- Ürünün donanım yazılımını güncellenizi, ürünün özelliklerini daha ayrıntılı olarak kontrol etmenizi sağlayan sürücülerini içeren paketi indirmek için <https://support.thrustmaster.com> adresini ziyaret edin.

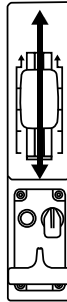
# TCA QUADRANT ADD-ON AIRBUS EDITION MODÜLLERİNİN 15 DÜĞMESİ VE 2 EKSENİNİ EŞLEŞTİRME



0 up  
ZR  
65536 down



0 up  
Z  
65536 down

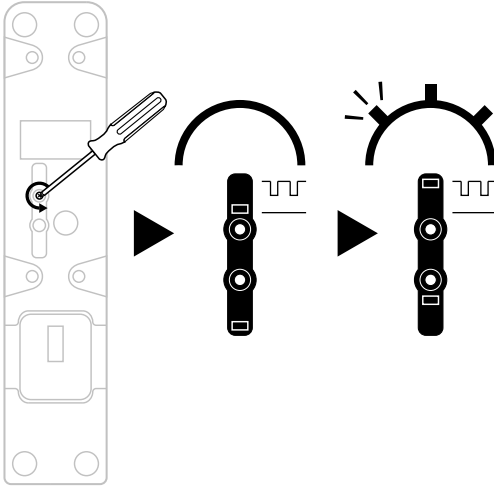


## TCA QUADRANT ADD-ON AIRBUS EDITION MODÜLLERİNDE EKSENLERDE DEĞİŞİKLİK YAPMA

TCA Quadrant Add-On Airbus Edition modülleri her eksendeki pozisyonları/kademeleri devreden çıkarmanızı sağlayan mekanik seçicilere sahiptir. Böylece hız freni modülündeki sanal düğmeler 27 ila 31'i korurken daha düz eksenlere sahip olabilirsiniz.

Bu seçenek simülasyonunuzda kullanılan uçak tipine göre (ticari uçak veya yolcu uçağı) pilotaj duyularını değiştirmenizi sağlar.

1. TCA Quadrant Add-On Airbus Edition modüllerini ters çevirin ve uygun uç şekline sahip bir tornavida (ürünle verilmmez) kullanarak her bir seçicinin iki vidasını çıkarın.
2. Göstergeleri kılavuz olarak kullanarak seçicilerin konumunu değiştirin: bu işlem TCA Quadrant Add-On Airbus Edition modüllerindeki her eksen için düz eksen veya pozisyon/kademeli eksen seçmenizi sağlayacaktır.

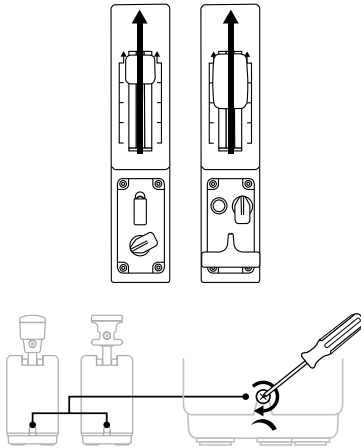


# SÜRTÜNMENİN AYARLANMASI:

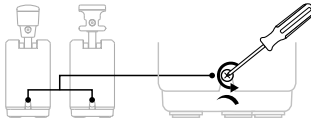
## ÖNEMLİ NOTLAR:

- TCA Quadrant Add-On Airbus Edition modüllerinin üzerindeki sürtünme varsayılan olarak %50'ye ayarlanmıştır.
- Tercihinize göre hassas ayar yapmanızı sağlamak için uygun uç şekline sahip bir tornavida (ürünle verilmez) — veya TCA Quadrant Airbus Edition ile verilen bağlama çubuğunu — kullanarak sürtünme ayar vidalarını çevirebilirsiniz.

1. Her iki TCA Quadrant Add-On Airbus Edition modülü kolunu maksimum değerlerine kadar ileri ittirin ve ardından her modülün arka kısmındaki sürtünme ayar vidasına ulaşın.
2. Sürtünmeyi artırmak için sürtünme ayar vidasını saat yönünde çevirin.



3. Sürtünmeyi azaltmak için sürtünme ayar vidasını saatin aksi yönünde çevirin.

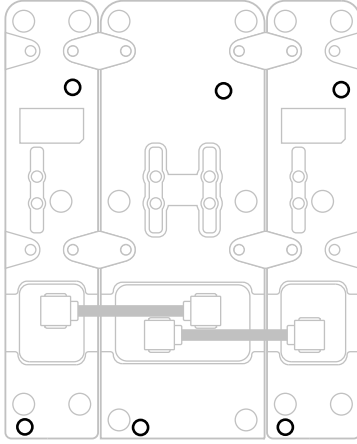


- Sürtünme sisteminin zarar görmesini engellemek için ayar vidalarını fazla sıkı mamaya dikkat edin: direnç hissettiğinizde vidaları çevirmeyi bırakın.
- Vidaların TCA Quadrant Add-On Airbus Edition modüllerinin gövdesinin içine düşmesini önlemek için ayar vidalarını hiçbir zaman tamamen çıkarmayın.

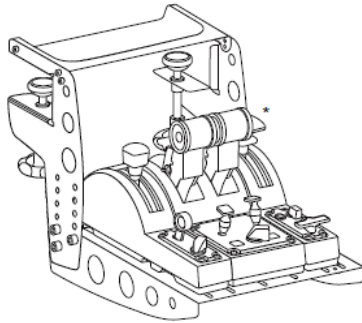
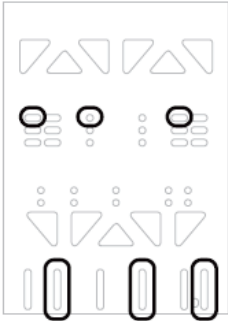
# TCA QUADRANT AIRBUS EDITION\* VE TCA QUADRANT ADD-ON AIRBUS EDITION MODÜLLERİNİ TM FLYING CLAMP\*, KOKPİT\* VEYA BAŞKA SABİT YÜZEYLERE TAKMA

\*Ayrı olarak satılır

TCA Quadrant Add-On Airbus Edition modüllerine bağlandığında, TCA Quadrant Airbus Edition'ın alt tarafında bulunan 6 deliği, tüm cihazları M6 vidalara (ürünle verilir) sabit bir yüzeye takmak için kullanabilirsiniz.



TM Flying Clamp\* için montaj şeması (\*ayrı olarak satılır):





# T.A.R.G.E.T GELİŞMİŞ PROGRAMLAMA YAZILIMI

(Thrustmaster Advanced pROgramming Graphical EdiTOr)

Lütfen <https://support.thrustmaster.com> adresine gidin. **Joysticks / TCA Quadrant Airbus Edition** (veya **TCA Quadrant Add-On Airbus Edition**) ögesine tıklayın, ardından **Software**'i seçin. T.A.R.G.E.T gelişmiş programlama yazılımını indirerek yükleyin.

T.A.R.G.E.T.'in ana özellikleri:

- Eksenler için farklı konfigürasyon imkanı.
- Çeşitli programlama düzeyleri: Basic, Advanced ve Script.
- Sürükle ve Bırak ilkesi kullanımı.
- TCA Quadrant Airbus Edition gaz kolu kadranını çeşitli Thrustmaster joystick'leri (HOTAS Cougar, HOTAS Warthog, T.16000M, MFD CougarPack, hepsi T.A.R.G.E.T ile de uyumludur) birleştirerek tek bir USB cihazı olarak algılanma imkanı.
- Thrustmaster topluluğu tarafından oluşturulan gelişmiş profillere ulaşma.



## SORUN GİDERME VE UYARI



Ürünün donanım yazılımını güncelleme için, ürünün özelliklerini daha ayrıntılı olarak kontrol etmenizi sağlayan sürücülerini içeren paketi indirmek için <https://support.thrustmaster.com> adresini ziyaret edin.

### • TCA Quadrant Add-On Airbus Edition modüllerim TCA Quadrant Airbus Edition'a bağlandığında düzgün çalışmıyor veya hatalı kalibre edilmiş gözüküyor.

- Daha yeni bir donanım yazılımı sürümünü mevcut mu kontrol etmek için <https://support.thrustmaster.com> adresini ziyaret edin: Mevcutsa indirip yüklemek için talimatları izleyin.
- PC'nizi kapatın ve TCA Quadrant Airbus Edition gaz kolu kadranının USB konektörünü çıkarın. Her iki SATA kablosunun cihazlara düzgün bir şekilde takıldığını kontrol edin.
- PC'nizi kapatın ve TCA Quadrant Airbus Edition gaz kolu kadranının USB konektörünü çıkarın. Daha sonra USB konektörünü yeniden takın, PC'nizi tekrar açın ve oyununuzu yeniden başlatın.
- TCA Quadrant Airbus Edition gaz kolu kadranının USB konektörünü bağlarken TFRP dümen sistemini (ayrı olarak satılır) kullanıyorsanız dümen eksenini mutlaka ortalanmış bırakın: Bunu yaparken ayaklarınızı asla TFRP dümen sisteminin pedallarına koymayın.

### • TCA Quadrant Add-On Airbus Edition modüllerimi TCA Quadrant Airbus Edition gaz kolu kadranımla yapılandırıyorum.

- Oyununuzun Seçenekler / Kumanda Birimi / Oyun Pedal veya Joystick menüsünden uygun konfigürasyonu seçin veya kumanda birimi seçeneklerini komple yeniden ayarlayın.
- Daha yeni bir donanım yazılımı sürümünü mevcut mu kontrol etmek için <https://support.thrustmaster.com> adresini ziyaret edin: Mevcutsa indirip yüklemek için talimatları izleyin.
- Daha fazla bilgi için lütfen oyununuzun kullanma kılavuzuna veya online yardımına başvurun.
- T.A.R.G.E.T (Thrustmaster Advanced Programming Graphical Editor) gelişmiş programlama yazılımını da kullanabilirsiniz.

### • TCA Quadrant Add-On Airbus Edition modüllerim çok hassas veya yeterince hassas değil.

- TCA Quadrant Add-On Airbus Edition modüllerinin eksenleri, birkaç hareketten sonra ve eksenin fiziksel durma noktasına ulaştıktan sonra kendi kendilerini otomatik olarak kalibre ederler.
- Oyununuzun Seçenekler / Kumanda Birimi / Oyun Pedal veya Joystick menüsünden kumanda biriminiz için hassasiyet ve ölölme bölgeleri ayarlayın (bu seçenekler mevcutsa).
- T.A.R.G.E.T (Thrustmaster Advanced Programming Graphical Editor) gelişmiş programlama yazılımını da kullanabilirsiniz.



Bu cihazlar sadece oyun eğlence amaçlarıyla kullanım için tasarlanmıştır. Bu cihazların profesyonel eğitim faaliyetlerinde kullanılması kesinlikle yasaktır.

## TÜKETİCİ GARANTİ BİLGİSİ

İşbu Thrustmaster ürün, malzeme ve işçilik hatalarına karşı, müşterinin kusurlu ürünün ücretinin iade edilmesi veya değiştirilmesi talebinde bulunabileceği süreye karşılık gelen garanti süresince dünya çapında tescil edilmiş merkezi Place du Granier, B.P. 97143, 35571 Chantepie, Fransa'da bulunan Guillemot Corporation S.A. (bundan sonra "Guillemot" olarak ifade edilecektir) garantisi altındadır. Avrupa Birliği ülkelerinde bu süre, Thrustmaster ürünün tesliminden itibaren iki (2) seneye karşılık gelir. Diğer ülkelerde garanti süresi, Thrustmaster ürün ile ilgili olarak, Thrustmaster ürünün satın alındığı tarihte müşterinin ikamet ettiği ülkede geçerli yasalara uygun şekilde, müşterinin kusurlu ürünün ücretinin iade edilmesi veya değiştirilmesi talebinde bulunabileceği süreye karşılık gelir (İlgili ülkede bu tür bir düzenleme mevcut değilse garanti süresi Thrustmaster ürünün satın alındığı asıl tarihten itibaren bir (1) yıl olacaktır).

Garanti süresi içinde üründe hata veya kusur tespit edilmesi durumunda derhal izlenecek yöntem ile ilgili size bilgi verecek olan Teknik Destek servisimize başvurun. Hata veya kusur onaylanırsa ürünün satın alındığı yere (ya da Teknik Destek servisi tarafından belirtilen yere) iade edilmesi gerekmektedir.

İşbu garanti kapsamında müşterinin kusurlu ürünü, Teknik Destek servisinin insiyatifine bağlı olarak, değiştirilecek veya çalışır hale getirilecektir. Garanti süresince Thrustmaster ürününün onanım işlemine tabi tutulması durumunda, ürünün kullanım dışı olduğu en az yedi (7) günlük tüm süreler kalan garanti süresine eklenecektir (bu süre, ürünün onanılması için hazır bulunduğunuz tarih müdahale edilmesi için talepte bulunduğunuz tarihi takip ediyor ise müşterinin müdahale edilmesi için talepte bulunduğunuz tarihten veya bahse konu ürünün onanılması için hazır bulunduğunuz tarihten başlar). Yürürlükte olan yasalann izin verdiği durumlarda, Guillemot ve bağlılarının tüm sorumluluğu (dolaylı hasarlar da dahil olmak üzere) Thrustmaster ürününün çalışır hale getirilmesi veya değiştirilmesi ile sınırlıdır. Yürürlükte olan yasalann izin vermesi halinde Guillemot, ticarete elverişlilik veya belirli bir amaca uygunluk ile ilgili tüm garantileri reddeder.

İşbu garanti aşağıdaki durumlar için geçerli değildir: (1) Ürün modifiye edilmişse, açılmışsa, üzerinde değişiklik yapılmışsa, uygunsuz veya kötü kullanım, ihmal, kaza, normal aşınma ya da malzeme veya üretim hatası ile ilgili olmayan nedenlerden dolayı hasar görmüşse (ancak bununla sınırlı kalmamak üzere, Thrustmaster ürününü herhangi uygun bir elemanla birleştirmek, buna dahil olarak özellikle güç kaynakları, yeniden doldurulabilir piller, şarj cihazları veya bu ürün için Guillemot tarafından tedarik edilmemiş tüm diğer elemanlar); (2) ürün, evde kullanım dışında, profesyonel veya ticari maksatlı olanlar da dahil olmak üzere (örneğin oyun salonları, eğitim, yarışlar) başka maksatlarla kullanılmışsa; (3) Teknik Destek servisi tarafından sağlanan talimatlara uyulmamışsa; (4) yazılım için, işbu garanti geçerli değildir, söz konusu yazılım için sağlanan özel garanti hükümlerine tabidir; (5) sarf malzemeleri için (ürünün kullanım süresi içinde değiştirilecek elemanlar: örneğin; tek kullanımlık piller, kulaklık yastıkları); (6) aksesuarlar için (örneğin; kablolar, kılıflar, cepler, çantalar, bileklikler); (7) ürün açık artırma ile satılmışsa. Bu garanti devrolunamaz.

Tüketim mallarının tüketicinin ülkesinde satışına ilişkin tüketicinin yasal hakları işbu garantiden etkilenmemektedir.

## Ek garanti hükümleri

Garanti süresince, tüm Thrustmaster ürünlerini açmaya ve/veya onarmaya yetkili tek taraf Teknik Destek Servisi olduğundan prensip olarak Guillemot tarafından hiçbir yedek parça sağlanmayacaktır (Uygulanabilir olması durumunda yazılı talimatlarla ve müşteriye gerekli yedek parça(ar) sağlanarak Teknik Destek Servisinin müşteri tarafından yapılmasını isteyebileceği tüm onarım prosedürleri hariç – örneğin onarım işleminin basit olmasından ve gizlilik içermemesinden dolayı).

İnovasyon döngülerini dikkate almak ve bilgi birikimi ile ticari sırlarını korumak için Guillemot, prensip olarak garanti süresi dolmuş hiç bir Thrustmaster ürünü için onarım bilgisi veya yedek parça sağlamayacaktır.

## Sorumluluk

Yürürlükte olan yasalann izin vermesi halinde, Guillemot Corporation S.A. (bundan sonra "Guillemot" olarak ifade edilecektir) ve bağliılan aşağıdakilerin biri veya daha fazlasından kaynaklanan her türlü hasara karşı tüm sorumluluğu reddeder: (1) Ürün modifiye edilmişse, açılmışsa, üzerinde değişiklik yapılmışsa; (2) montaj talimatlarına uyulmamışsa; (3) uygunsuz veya kötü kullanım, ihmal, kaza (örneğin bir darbe); (4) normal aşınma; (5) ürünün, evde kullanım dışında, profesyonel veya ticari maksatlı olanlar da dahil olmak üzere (örneğin oyun salonları, eğitim, yarışlar) başka maksatlarla kullanılması. Yürürlükte olan yasalann izin vermesi halinde, Guillemot ve bağliılan ürünle ilgili malzeme veya üretim hatası ile ilgili olmayan her türlü hasara karşı tüm sorumluluğu reddeder (ancak bununla sınırlı kalmamak üzere, herhangi bir yazılımdan veya Thrustmaster ürününün herhangi bir uygun olmayan elemanla birleştirilmesinden doğrudan veya dolaylı olarak kaynaklanan tüm hasarlar, buna dahil olarak özellikle güç kaynakları, yeniden doldurulabilir piller, şarj cihazları veya bu ürün için Guillemot tarafından tedarik edilmiş tüm diğer elemanlar).

**THRUSTMASTER®**

**TEKNİK DESTEK**

<https://support.thrustmaster.com>



EN

FR

DE

NL

IT

ES

PT

RU

CS

TR

PL

日本語

繁體中文

한국어

العربية

## TELİF HAKKI

© 2020 Guillemot Corporation S.A. Tüm hakları saklıdır. Thrustmaster® Guillemot Corporation S.A'nın tescilli markasıdır.

AIRBUS, logosu ve ürün ve hizmet markaları Airbus'ın tescilli ticari markalarıdır. Tüm hakları saklıdır.

© Airbus 2020. Tüm hakları saklıdır. Resmi Airbus lisanslı.

Diğer tüm ticari markalar kendi sahiplerinin. Resimler bağlayıcı değildir. İçerik, tasarım ve özellikler önceden haber verilmeksizin değiştirilebilir ve bir ülkeden başka bir ülkeye değişiklik gösterebilir. Çin'de yapılmıştır.

## ÇEVRE KORUMA ÖNERİLERİ



\* Avrupa Birliği'nde: Cihazın kullanım ömrü sona erdiğinde, standart ev atıkları ile atılmamalı, geri dönüşüm için Atık Elektrikli ve Elektronik Cihazların toplandığı bir yere bırakılmalıdır.

Bu, ürünün, kullanım kılavuzunun veya paketin üzerinde bulunan sembol ile onaylanmıştır.

Özelliklerine bağlı olarak malzemeler geri dönüştürülebilir. Atık Elektrik ve Elektronik Cihazların geri dönüşümü veya diğer işleme yöntemleri sayesinde çevrenin korunmasına yönelik önemli bir katkıda bulunabilirsiniz. Size en yakın toplama merkezleri hakkında bilgi almak için lütfen yerel yetkililerle iletişime geçin.

Diğer ülkeler için: Lütfen elektrikli ve elektronik cihazların geri dönüşümü için yerel yasalara uyunuz.

## AEEE Yönetmeliğine Uygundur.

Bu belgeyi saklayın. Renkler ve süslemeler değişiklik gösterebilir.

Plastik tutturucular ve bantlar, kullanmadan önce üründen çıkarılmalıdır.

Bu ürün 14 yaş veya üstü çocuklar ile ilgili tüm standartlara uygundur. Bu ürün, 14 yaşından küçük çocukların kullanımına uygun değildir.

[www.thrustmaster.com](http://www.thrustmaster.com)

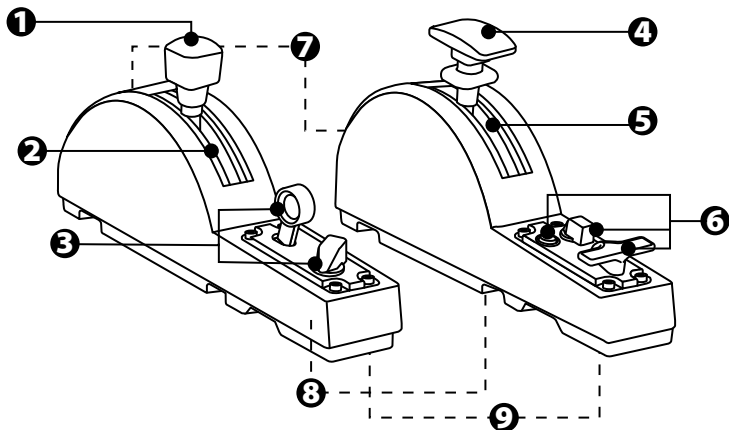
*\*Sadece AB ve Türkiye için geçerlidir*

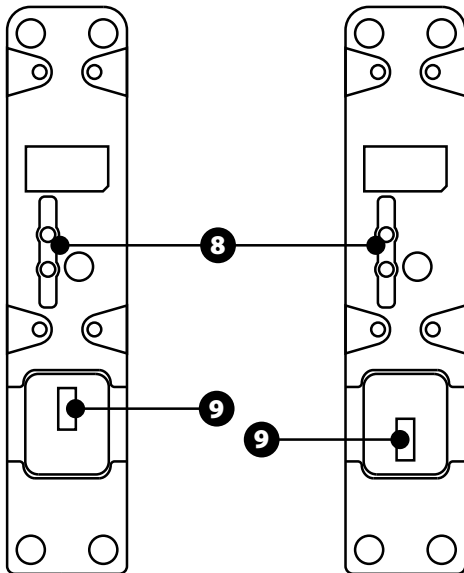


# TCA QUADRANT ADD-ON AIRBUS EDITION

Instrukcja obsługi

## ELEMENTY

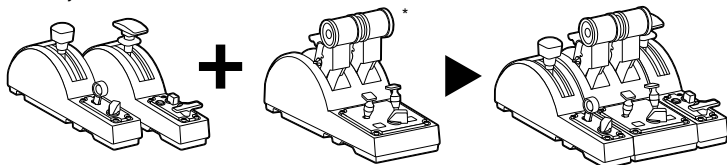




- |  |  |
|--|--|
| 1. Oś hamulca aerodynamicznego                 | 6. 4 przyciski czynności   |
| 2. 4 zapadki na osi + 5 przycisków wirtualnych | 7. Śruba regulacji tarcia w każdym module                                    |
| 3. 6 przycisków czynności                      | 8. Mechanizm umożliwiający włączenie/wyłączenie zapadek na każdej osi        |
| 4. Oś kłap                                     | 9. Złącza SATA do urządzenia TCA Quadrant Airbus Edition (do nabycia osobno) |
| 5. 4 zapadki na osi                            |  |

# PODŁĄCZANIE MODUŁÓW TCA QUADRANT ADD-ON AIRBUS EDITION DO URZĄDZENIA TCA QUADRANT AIRBUS EDITION\*

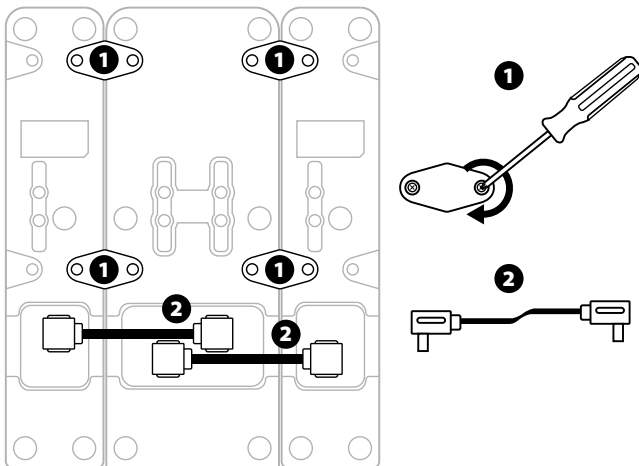
\*Do nabycia osobno



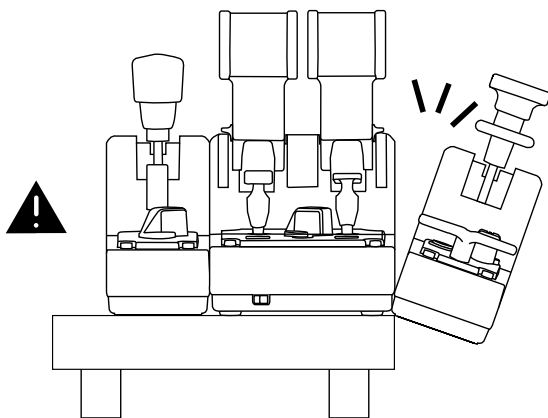
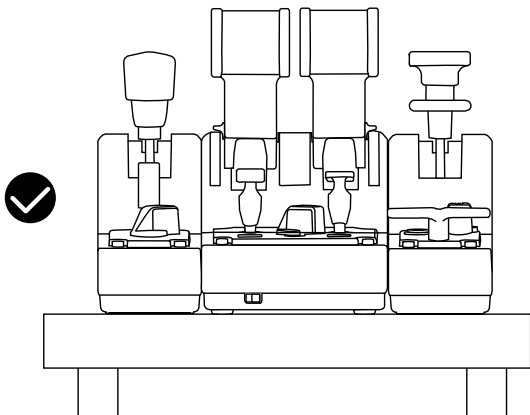
Do korzystania z modułów TCA Quadrant Add-On Airbus Edition wymagane jest urządzenie TCA Quadrant Airbus Edition (do nabycia osobno). Moduły TCA Quadrant Add-On Airbus Edition są rozszerzeniem panelu przepustnicy TCA Quadrant Airbus Edition i działają wyłącznie po podłączeniu do jego obu stron.

To modułowe rozwiązanie zapewnia dodatkowe osie i przyciski czynności oraz pozwala poszerzyć właściwości kinematyczne panelu TCA Quadrant Airbus Edition (podczas startu, lotu i lądowania).

1. Obróć wszystkie urządzenia dołem do góry i korzystając ze śrubokręta z końcówką o odpowiednim kształcie (do nabycia osobno), przykręć cztery elementy dodatkowe dostarczone z urządzeniem TCA Quadrant Airbus Edition i modułami TCA Quadrant Add-On Airbus Edition w celu połączenia wszystkich urządzeń.
2. Podłącz moduł hamulca aerodynamicznego po lewej stronie urządzenia TCA Quadrant Airbus Edition oraz moduł klap po jego prawej stronie, korzystając z kabli SATA dostarczonych z urządzeniem TCA Quadrant Add-On Airbus Edition.







- Aby uniknąć uszkodzenia urządzeń, do przykręcania/odkręcania śrub używaj śrubokręta z końcówką o odpowiednim kształcie (do nabycia osobno).
- Używaj wyłącznie oficjalnych kabli dostarczonych przez firmę Thrustmaster: w razie potrzeby umożliwi to aktualizację oprogramowania sprzętowego urządzenia TCA Quadrant Airbus Edition.
- Nie ustawiaj urządzeń TCA Quadrant Airbus Edition w taki sposób, aby moduły TCA Quadrant Add-On Airbus Edition znalazły się na krawędzi stołu lub biurka albo wystawały poza nią.

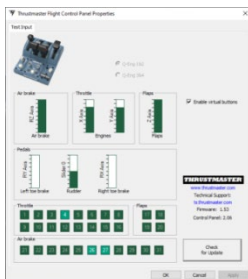
# INSTALACJA NA KOMPUTERZE PC

1. Wejdź na stronę <https://support.thrustmaster.com>. Kliknij **Joysticki / TCA Quadrant Airbus Edition** (lub **TCA Quadrant Add-On Airbus Edition**) i wybierz **Sterowniki**. Pobierz i zainstaluj sterownik dla komputera PC i jego specjalny interfejs przeznaczony do Panelu sterowania systemu Windows.
2. Po zainstalowaniu sterownika na komputerze PC podłącz złącze USB urządzenia TCA Quadrant Airbus Edition do jednego z portów USB w komputerze.
3. Aby uzyskać dostęp do Panelu sterowania, kliknij **Start / Aplikacje / Thrustmaster / Panel sterowania** (w systemie Windows® 10 / 8.1 / 8).

Pojawi się okno dialogowe **Kontrolery gier**.

Akcesorium będzie widoczne na ekranie pod nazwą **TCA Q-Eng 1&2** (lub **TCA Q-Eng 3&4**, zależnie od położenia wybieraka silników [5] w urządzeniu TCA Quadrant Airbus Edition) i ze stanem **OK**.

4. W oknie dialogowym **Kontrolery gier** kliknij **Właściwości**, aby przetestować i wyświetlić wszystkie funkcje, w tym te związane z modułami TCA Quadrant Add-On Airbus Edition.



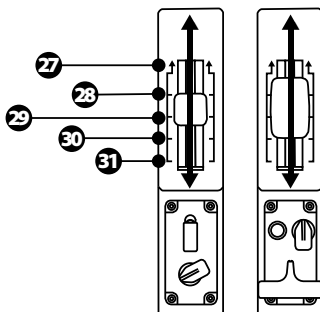
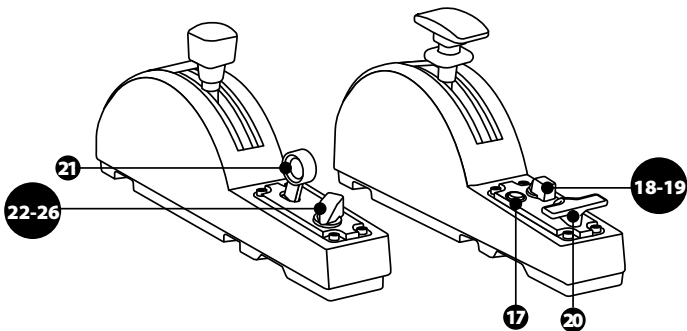
**Enable virtual buttons (Włącz przyciski wirtualne)**. Ta funkcja umożliwia włączenie lub wyłączenie przycisków wirtualnych dostępnych na osiach panelu przepustnicy i modułu hamulca aerodynamicznego. Po wybraniu trybu, z którego chcesz korzystać, kliknij **Apply (Zastosuj)**.

**Teraz możesz zacząć grać!**

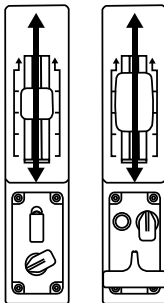


- Do korzystania z modułów TCA Quadrant Add-On Airbus Edition wymagane jest urządzenie TCA Quadrant Airbus Edition (do nabycia osobno).
- Wejdź na stronę <https://support.thrustmaster.com>, aby pobrać pakiet sterowników umożliwiających aktualizację oprogramowania sprzętowego urządzenia oraz dających bardziej szczegółową kontrolę nad jego funkcjami.

# MAPOWANIE 15 PRZYCISKÓW 12 OSI MODUŁÓW TCA QUADRANT ADD-ON AIRBUS EDITION



0 up  
ZR  
65536 down



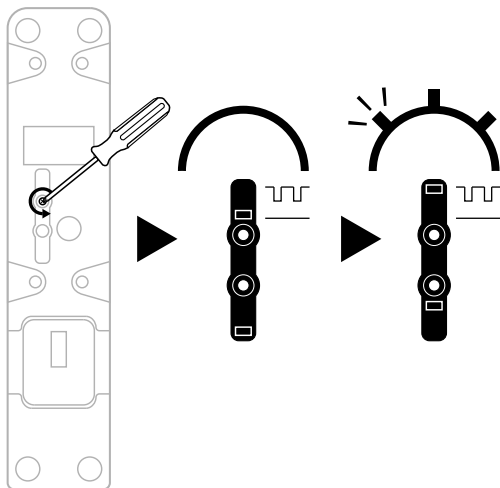
0 up  
Z  
65536 down

## WPROWADZANIE ZMIAN W OSIACH MODUŁÓW TCA QUADRANT ADD-ON AIRBUS EDITION

Moduły TCA Quadrant Add-On Airbus Edition zawierają wybieraki mechaniczne, które umożliwiają wyłączenie zapadek/wycięć na każdej osi. W ten sposób można uzyskać osie liniowe z zachowaniem przycisków wirtualnych 27–31 w module hamulca aerodynamicznego.

Elementy te pozwalają dostosować wrażenia związane z pilotowaniem do typu samolotu (komercyjnego lub cywilnego) używanego podczas symulacji.

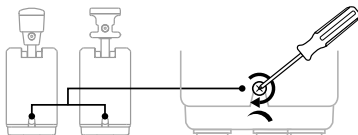
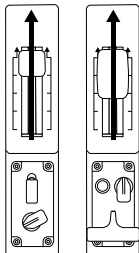
1. Obróć moduły TCA Quadrant Add-On Airbus Edition dołem do góry i odkręć dwie śruby każdego z wybieraków, używając śrubokręta z końcówką o odpowiednim kształcie (do nabycia osobno).
2. Zmień położenie wybieraków, posługując się wskaźnikami. W ten sposób możesz wybrać oś liniową lub oś z zapadkami/wycięciami w odniesieniu każdej osi modułów TCA Quadrant Add-On Airbus Edition.



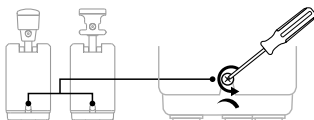
# REGULOWANIE SIŁY TARCIA

## WAŻNE UWAGI:

- Tarcie w modułach TCA Quadrant Add-On Airbus Edition jest domyślnie ustawione na 50%.
  - Aby precyzyjnie wyregulować tarcie zgodnie z osobistymi preferencjami, możesz skorzystać ze śrub regulacji tarcia, obracając je śrubokrętem z końcówką o odpowiednim kształcie (do nabycia osobno) lub poprzeczką dostarczoną z urządzeniem TCA Quadrant Airbus Edition.
1. Przesuń dźwignie obu modułów TCA Quadrant Add-On Airbus Edition w położenie odpowiadające wartości maksymalnej, a następnie skorzystaj ze śruby regulacji tarcia umieszczonej z tyłu każdego modułu.
  2. Aby zwiększyć tarcie, obróć śrubę regulacji tarcia zgodnie z ruchem wskazówek zegara.



3. Aby zmniejszyć tarcie, obróć śrubę regulacji tarcia przeciwnie do ruchu wskazówek zegara.



- Aby nie uszkodzić układu tarcia, uważaj, aby nie dokręcić śrub regulacyjnych zbyt mocno: gdy poczujesz opór, przestań obracać śrubę.
- Nigdy nie wykręcaj całkowicie śrub regulacyjnych, aby nie wpadły one do środka modułów TCA Quadrant Add-On Airbus Edition.

# MOCOWANIE URZĄDZENIA TCA QUADRANT AIRBUS EDITION\* I MODUŁÓW TCA QUADRANT ADD-ON AIRBUS EDITION DO ZACISKU TM FLYING CLAMP\*, KOKPITU\* LUB INNEJ NIERUCHOMEJ POWIERZCHNI

*\*Do nabycia osobno*

Gdy urządzenie TCA Quadrant Airbus Edition jest połączone z modułami TCA Quadrant Add-On Airbus Edition, 6 otworów dostępnych na jego spodzie umożliwia jego zamocowanie do nieruchomej powierzchni przy użyciu śrub M6 (do nabycia osobno).

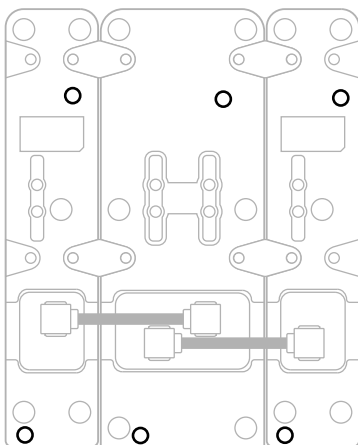
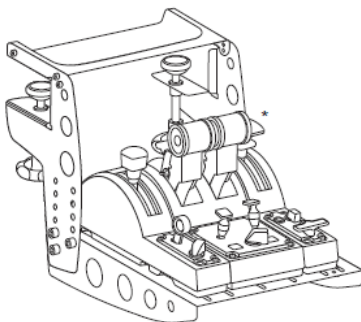
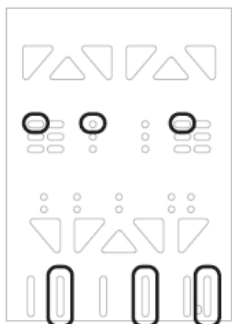


Diagram mocowania do zacisku TM Flying Clamp\* (\*do nabycia osobno):



# ZAAWANSOWANA APLIKACJA DO PROGRAMOWANIA T.A.R.G.E.T

(Thrustmaster Advanced pRogramming Graphical EdiTor)

Wejdź na stronę <https://support.thrustmaster.com>. Kliknij **Joysticki / TCA Quadrant Airbus Edition** (lub **TCA Quadrant Add-On Airbus Edition**) i wybierz **Oprogramowanie**. Pobierz i zainstaluj zaawansowaną aplikację do programowania T.A.R.G.E.T.

Główne cechy i funkcje aplikacji T.A.R.G.E.T:

- Różne konfiguracje osi
- Różne poziomy programowania: Basic, Advanced i Script
- Korzystanie z techniki przeciągania i upuszczania
- Możliwość łączenia panelu przepustnicy TCA Quadrant Airbus Edition z różnymi joystickami Thrustmaster (HOTAS Cougar, HOTAS Warthog, T.16000M, MFD Cougar Pack — również zgodnymi z aplikacją T.A.R.G.E.T), dzięki czemu są one rozpoznawane jako jedno urządzenie USB
- Dostęp do zaawansowanych profili tworzonych przez członków społeczności Thrustmaster



## ROZWIĄZYWANIE PROBLEMÓW I OSTRZEŻENIA



Wejdź na stronę <https://support.thrustmaster.com>, aby pobrać pakiet sterowników umożliwiających aktualizację oprogramowania sprzętowego urządzenia oraz dających bardziej szczegółową kontrolę nad jego funkcjami.

- **Moduły TCA Quadrant Add-On Airbus Edition po podłączeniu do urządzenia TCA Quadrant Airbus Edition nie działają prawidłowo lub wydają się niewłaściwie skalibrowane.**

- Wejdź na stronę <https://support.thrustmaster.com>, aby sprawdzić, czy jest dostępna nowsza wersja oprogramowania sprzętowego. Jeśli tak, pobierz i zainstaluj ją zgodnie z instrukcjami.
- Wyłącz komputer i odłącz złącze USB panelu przepustnicy TCA Quadrant Airbus Edition. Upewnij się, że oba kable SATA są prawidłowo połączone z urządzeniami.
- Wyłącz komputer i odłącz złącze USB panelu przepustnicy TCA Quadrant Airbus Edition. Następnie ponownie podłącz złącze USB, włącz komputer i uruchom ponownie grę.
- Jeśli korzystasz z układu steru kierunku TFRP (do nabycia osobno), podczas podłączania złącza USB panelu przepustnicy TCA Quadrant Airbus Edition oś steru kierunku musi się znajdować w położeniu środkowym: w trakcie podłączania złącza nie stawiaj stóp na pedałach steru kierunku TFRP.

- **Nie mogę skonfigurować modułów TCA Quadrant Add-On Airbus Edition z panelem przepustnicy TCA Quadrant Airbus Edition.**

- W menu opcji/kontrolera/gamepada/joysticka dostępnym w grze wybierz odpowiednią konfigurację lub całkowicie przekonfiguruj opcje kontrolera.
- Wejdź na stronę <https://support.thrustmaster.com>, aby sprawdzić, czy jest dostępna nowsza wersja oprogramowania sprzętowego. Jeśli tak, pobierz i zainstaluj ją zgodnie z instrukcjami.
- Więcej informacji znajdziesz w instrukcji obsługi gry lub jej pomocy online.
- Możesz także skorzystać z zaawansowanej aplikacji do programowania T.A.R.G.E.T (Thrustmaster Advanced pRogramming Graphical EdiTor).

- **Moduły TCA Quadrant Add-On Airbus Edition są zbyt czułe lub niewystarczająco czułe.**

- Oś modułów TCA Quadrant Add-On Airbus Edition kalibrują się automatycznie po kilku ruchach i po osiągnięciu swoich blokad fizycznych.
- W menu opcji/kontrolera/gamepada/joysticka dostępnym w grze ustaw odpowiednią czułość i martwe strefy kontrolera (jeśli tego rodzaju opcje są dostępne).
- Możesz także skorzystać z zaawansowanej aplikacji do programowania T.A.R.G.E.T (Thrustmaster Advanced pRogramming Graphical EdiTor).



Te urządzenia są przeznaczone wyłącznie do grania w celach rozrywkowych. Ich używanie do szkoleń o charakterze zawodowym jest surowo zabronione.



## INFORMACJE DOTYCZĄCE GWARANCJI DLA KLIENTA

Firma Guillemot Corporation S.A. z siedzibą pod adresem Place du Granier, B.P. 97143, 35571 Chantepie, Francja („Guillemot”) udziela klientowi obowiązującej na całym świecie gwarancji, że niniejszy produkt Thrustmaster będzie wolny od wad materiałowych i produkcyjnych przez okres gwarancji równy limitowi czasu, w którym klient może występować z roszczeniami z tytułu wad niniejszego produktu. W krajach Unii Europejskiej jest to okres dwóch (2) lat od dostarczenia produktu Thrustmaster. W innych krajach okres gwarancji jest równy limitowi czasu, w którym klient może występować z roszczeniami z tytułu wad produktu Thrustmaster zgodnie z przepisami obowiązującymi w kraju, w którym klient mieszkał w dniu zakupu produktu Thrustmaster. (Jeśli przepisy danego kraju nie przewidują występowania z takimi roszczeniami, okres gwarancji będzie wynosił jeden (1) rok od pierwotnej daty zakupu produktu Thrustmaster).

Jeśli w okresie gwarancji wystąpią objawy mogące świadczyć o wadzie produktu, należy niezwłocznie skontaktować się z działem pomocy technicznej, który wskaże dalszy sposób postępowania. W razie potwierdzenia wady produkt należy zwrócić w punkcie zakupu (lub innym miejscu wskazanym przez dział pomocy technicznej).

W ramach niniejszej gwarancji wadliwy produkt zostanie wymieniony lub przywrócony do stanu sprawności użytkowej, zgodnie z decyzją działu pomocy technicznej. Jeśli w okresie gwarancji produkt Thrustmaster zostanie poddany czynnościom mającym na celu przywrócenie go do stanu użytkowego, dowolny okres co najmniej siedmiu (7) dni, podczas których produkt nie jest użytkowany, zostanie dodany do pozostałego okresu gwarancji (okres ten liczy się od dnia, w którym klient poprosi o interwencję, lub od dnia, w którym dany produkt zostanie udostępniony celem przywrócenia do stanu użytkowego, jeśli data udostępnienia celem przywrócenia do stanu użytkowego następuje po dacie prośby o interwencję). Jeśli zezwala na to obowiązujące prawo, całkowita odpowiedzialność firmy Guillemot i jej podmiotów zależnych (łącznie z odpowiedzialnością za szkody wtórne) ogranicza się do przywrócenia do stanu użytkowego lub wymiany produktu Thrustmaster. Jeśli zezwala na to obowiązujące prawo, firma Guillemot wyłącza wszelkie gwarancje pokupności i przydatności do określonego celu.

Niniejsza gwarancja nie obowiązuje: (1) w przypadku, gdy produkt został zmodyfikowany, otwarty, zmieniony albo uszkodzony na skutek nieodpowiedniego lub nadmiernego użytkowania, niedbałości, wypadku, normalnego zużycia lub z innego powodu niezwiązanego z wadą materiałową ani produkcyjną (w tym między innymi z powodu połączenia produktu Thrustmaster z nieodpowiednim elementem, w tym w szczególności z zasilaczem, akumulatorem, ładowarką lub jakimkolwiek innym elementem niedostarczonym przez firmę Guillemot dla tego produktu); (2) w przypadku używania produktu w sposób inny niż użytek domowy, w tym do celów zawodowych lub komercyjnych (na przykład w salonach gier albo do prowadzenia szkoleń lub zawodów); (3) w razie nieprzestrzegania instrukcji podanych przez dział pomocy technicznej; (4) w odniesieniu do oprogramowania, jako że oprogramowanie to jest objęte odrębną szczegółową gwarancją; (5) w odniesieniu do materiałów eksploatacyjnych (elementów wymienianych w czasie eksploatacji produktu, na przykład baterii jednorazowych, muszli/nakładek na uszy do zestawów słuchawkowych lub słuchawek); (6) w odniesieniu do akcesoriów (na przykład kabli, pokrowców, etui, torebek, pasków na rękę); (7) w przypadku sprzedania produktu na aukcji publicznej.

Niniejsza gwarancja nie podlega przeniesieniu.

Niniejsza gwarancja nie wpływa na prawa klienta wynikające z przepisów dotyczących sprzedaży dóbr konsumenckich w kraju klienta.

### **Dodatkowe postanowienia gwarancyjne**

W okresie gwarancji firma Guillemot zasadniczo nie udostępnia jakichkolwiek części zamiennych, ponieważ jedynym podmiotem upoważnionym do otwarcia jakiegokolwiek produktu Thrustmaster i/lub przywrócenia go do stanu użytkowego jest dział pomocy technicznej (oprócz ewentualnych procedur przywracania produktu do stanu użytkowego, o wykonanie których dział pomocy technicznej może poprosić klienta przez przekazanie pisemnych instrukcji — np. ze względu na prostotę i jawność procesu przywracania do stanu użytkowego — oraz, w razie potrzeby, przez udostępnienie klientowi wymaganych części zamiennych).

Ze względu na realizowane cykle innowacji oraz konieczność zapewnienia ochrony swojej specjalistycznej wiedzy i tajemnic handlowych firma Guillemot zasadniczo nie udostępnia powiadomień dotyczących przywracania do stanu użytkowego ani części zamiennych w przypadku produktów Thrustmaster, których okres gwarancji upłynął.

### **Odowiedzialność**

Jeśli zezwala na to obowiązujące prawo, firma Guillemot Corporation S.A. („Guillemot”) i jej podmioty zależne nie ponoszą żadnej odpowiedzialności za szkody spowodowane przez co najmniej jeden z następujących czynników: (1) modyfikację lub otwarcie produktu bądź wprowadzenie w nim zmian; (2) nieprzestrzeganie instrukcji montażu; (3) nieodpowiednie lub nadmierne użytkowanie, niedbałość, wypadek (na przykład uderzenie); (4) normalne zużycie; (5) używanie produktu w sposób inny niż użytek domowy, w tym do celów zawodowych lub komercyjnych (na przykład w salonach gier albo do prowadzenia szkoleń lub zawodów). Jeśli zezwala na to obowiązujące prawo, firma Guillemot i jej podmioty zależne nie ponoszą żadnej odpowiedzialności za szkody niezwiązane z wadą materiałową lub produkcyjną produktu (w tym między innymi za szkody spowodowane bezpośrednio lub pośrednio przez jakiegokolwiek oprogramowanie lub na skutek połączenia produktu Thrustmaster z nieodpowiednim elementem, w tym w szczególności z zasilaczem, akumulatorem, ładowarką lub jakimkolwiek innym elementem niedostarczonym przez firmę Guillemot dla tego produktu).

**THRUSTMASTER®**

**POMOC TECHNICZNA**

<https://support.thrustmaster.com>



## PRAWA AUTORSKIE

© 2020 Guillemot Corporation S.A. Wszelkie prawa zastrzeżone. Thrustmaster® jest zastrzeżonym znakiem towarowym firmy Guillemot Corporation S.A.

AIRBUS, powiązane logo oraz znaki produktów i usług są zastrzeżonymi znakami towarowymi firmy Airbus. Wszelkie prawa zastrzeżone.

© Airbus 2020. Wszelkie prawa zastrzeżone. Produkt na oficjalnej licencji firmy Airbus.

Wszystkie inne znaki towarowe stanowią własność odpowiednich podmiotów. Ilustracje nie są wiążące prawnie. Treść, wzory i dane techniczne przedstawione w instrukcji mogą ulec zmianie bez powiadomienia i mogą różnić się w zależności od kraju. Wyprodukowano w Chinach.

## ZALECENIE DOTYCZĄCE OCHRONY ŚRODOWISKA



\* Na terenie Unii Europejskiej: gdy okres przydatności produktu do eksploatacji dobiegnie końca, produktu nie należy pozbywać się wraz ze zwykłymi odpadami z gospodarstwa domowego, ale oddać do recyklingu w punkcie zbiórki zużytego sprzętu elektrycznego i elektronicznego. Potwierdza to symbol znajdujący się na produkcie, w instrukcji obsługi lub na opakowaniu.

Zależnie od swoich właściwości materiały zawarte w produkcie mogą nadawać się do recyklingu. Dzięki recyklingowi i innym formom utylizacji zużytych urządzeń elektrycznych i elektronicznych klient może w znacznym stopniu przyczynić się do ochrony środowiska. Aby uzyskać informacje o najbliższych punktach zbiórki odpadów, należy skontaktować z miejscowymi władzami.

We wszystkich innych krajach: należy przestrzegać miejscowych przepisów dotyczących recyklingu sprzętu elektrycznego i elektronicznego.

Niniejsze informacje należy zachować. Kolorystyka i elementy ozdobne mogą różnić się od przedstawionych.

Przed korzystaniem z produktu należy zdjąć z niego plastikowe elementy mocujące oraz naklejki.

Produkt spełnia wszystkie standardy dotyczące dzieci w wieku minimum 14 lat. Produkt nie jest przeznaczony dla dzieci poniżej 14 roku życia.

**[www.thrustmaster.com](http://www.thrustmaster.com)**

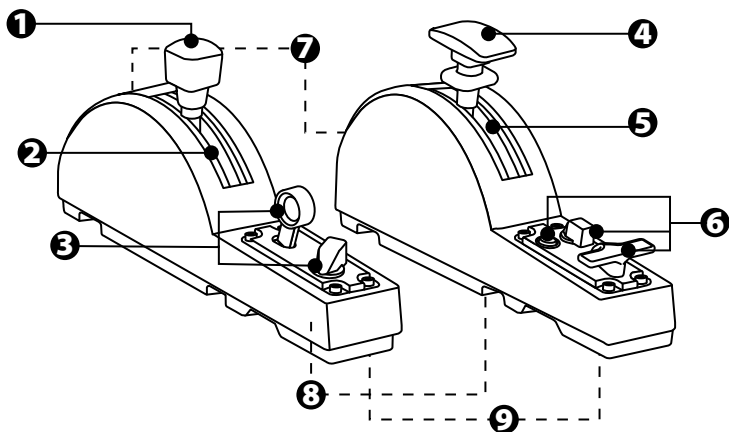
*\*Dotyczy wyłącznie UE i Turcji*

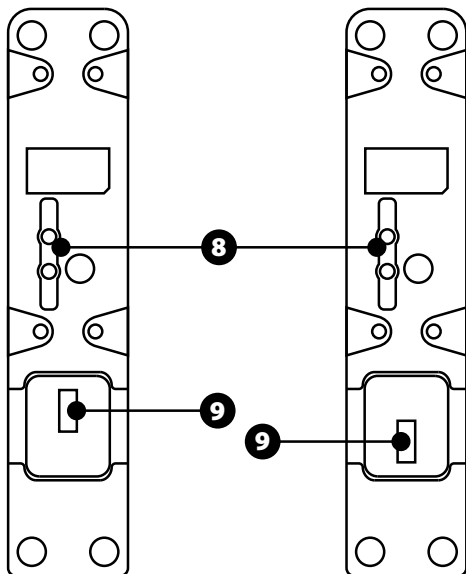


# TCA QUADRANT ADD-ON AIRBUS EDITION

## ユーザーズマニュアル

### 技術仕様

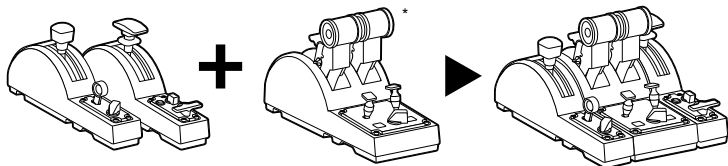




1. スピードブレーキ (エアブレーキ) 軸
2. 軸上ディテント 4 個 + 仮想ボタン 5 個
3. アクションボタン 6 個
4. フラップ軸
5. 軸上ディテント 4 個
6. アクションボタン 4 個
7. 各モジュール上の摩擦調整ねじ
8. 各軸のディテントを無効化/有効化するための機構
9. TCA Quadrant Airbus Edition 用 SATA コネクタ (別売)

## TCA QUADRANT ADD-ON AIRBUS EDITION モジュール を TCA QUADRANT AIRBUS EDITION\* に接続する

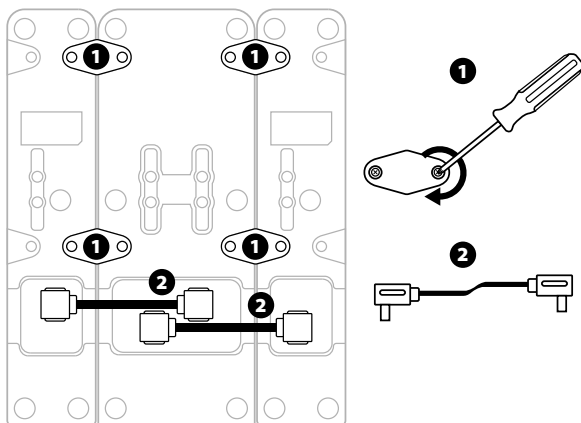
\*別売

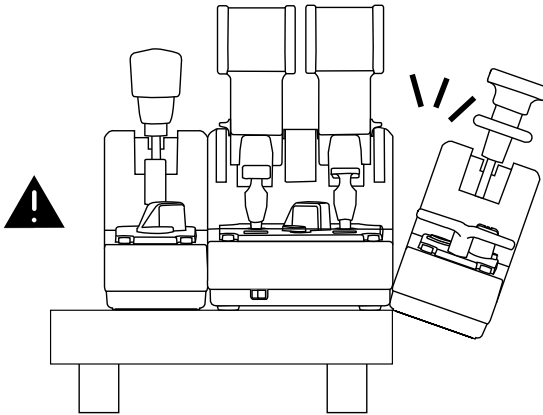
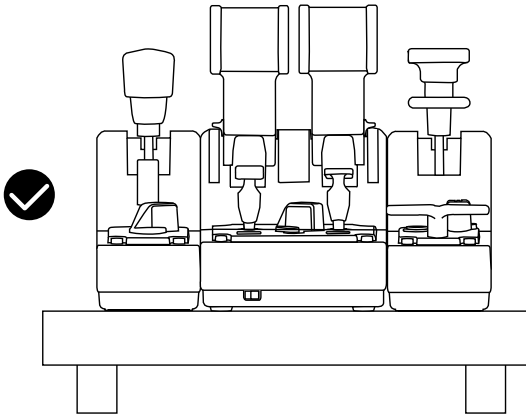


TCA Quadrant Add-On Airbus Edition モジュールを使用するには、TCA Quadrant Airbus Edition (別売) を所有している必要があります。TCA Quadrant Add-On Airbus Edition モジュールは、TCA Quadrant Airbus Edition スロットルクアドラントの拡張コンポーネントであり、TCA Quadrant Airbus Edition の両側に接続された場合にのみ動作します。

このモジュラーシステムにより、新たな軸とアクションボタンを追加し、TCA Quadrant Airbus Edition のキネマティクス (離陸、フライト、および着陸時) を拡張することができます。

1. すべてのデバイスを逆さまにし、対応するヘッド形状のドライバー (付属していません) で TCA Quadrant Airbus Edition 付属の 4 個のアタッチメントと TCA Quadrant Add-On Airbus Edition モジュールをねじ留めして組み立てます。
2. TCA Quadrant Add-On Airbus Edition 付属の SATA ケーブルを使って、TCA Quadrant Airbus Edition の左側にスピードブレーキモジュール、右側にフラップモジュールを接続します。





- 製品の破損を防ぐため、ねじの取り付け/取り外しには、対応したヘッド形状のドライバー（付属していません）を必ず使用してください。
- Thrustmaster が提供する公式ケーブルのみを使用してください: それにより、必要に応じて TCA Quadrant Airbus Edition のファームウェアをアップデートすることが可能になります。
- TCA Quadrant Airbus Edition を、絶対に TCA Quadrant Add-On Airbus Edition の各モジュールがテーブルや机の端にある状態や、端からぶら下がっている状態にしないでください。

## PC に取り付ける

1. <https://support.thrustmaster.com/> にアクセスします。[ジョイスティック] / [TCA Quadrant Airbus Edition] (または TCA Quadrant Add-On Airbus Edition) をクリックし、[ドライバ] を選択します。PC ドライバと Windows コントロール パネル用にカスタマイズされたインターフェースをダウンロードし、インストールしてください。
2. PC ドライバのインストールが完了したら、TCA Quadrant Airbus Edition 用の USB コネクタを、PC の USB ポートのいずれかに接続します。
3. コントロール パネルにアクセスするには、[スタート] / [アプリケーション] / [Thrustmaster] / [コントロール パネル] をクリックします (Windows® 10 / 8.1 / 8 の場合)。

**「ゲーム コントローラー」ダイアログボックスが表示されます。**

この製品は、画面上に **TCA Q-Eng 1&2** (または **TCA Q-Eng 3&4**、TCA Quadrant Airbus Edition エンジンのセレクトアスイッチ [5] のポジションによる) という名前で OK ステータスと共に表示されます。

4. 「ゲーム コントローラー」ダイアログボックスで「プロパティ」をクリックすると、TCA Quadrant Add-On Airbus Edition モジュールに関連するものを含む x、すべての機能をテストおよび表示できます。



Enable virtual buttons (仮想ボタンを有効にする): この機能により、スロットルアクロントの軸上で使用可能な仮想ボタンと、スピードブレーキモジュールを有効または無効にすることができます。使用したいモードを選択したら、Apply (適用) をクリックしてください。

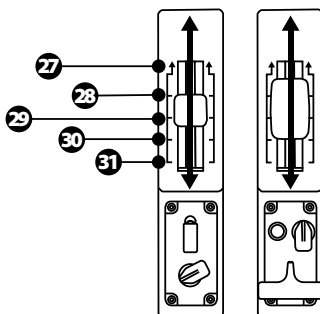
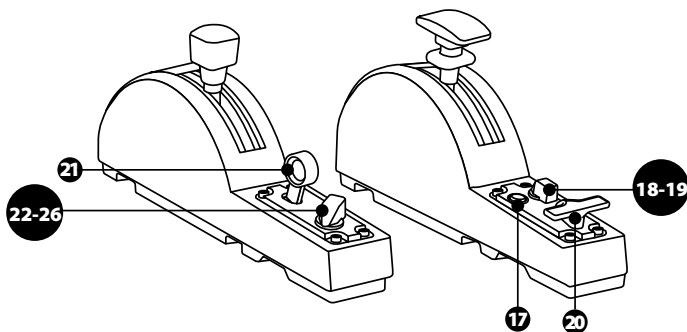
**これでプレイの準備ができました！**



- TCA Quadrant Add-On Airbus Edition モジュールを使用するには、TCA Quadrant Airbus Edition (別売) を所有している必要があります。
- [https://support.thrustmaster.com](https://support.thrustmaster.com/) にアクセスし、製品のファームウェアを更新できるドライバを含むパッケージをダウンロードすると、製品の機能をより詳細に制御することができます。



# TCA QUADRANT ADD-ON AIRBUS EDITION モジュール の 15 個のボタンと 2 つの軸のマッピング



0 up  
ZR  
65536 down

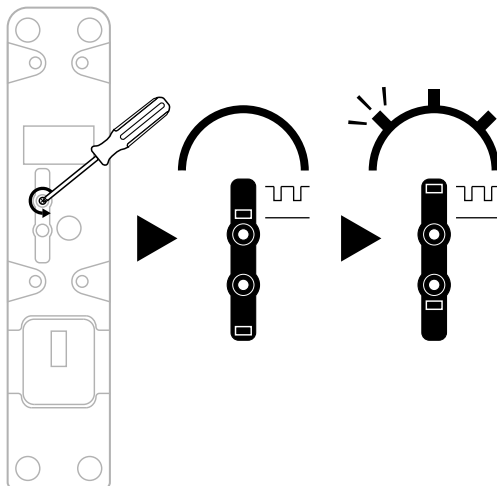
0 up  
Z  
65536 down

## TCA QUADRANT ADD-ON AIRBUS EDITION モジュールの軸の変更について

TCA Quadrant Add-On Airbus Edition モジュールは、各軸のディテント/ノッチを無効にできる機械的セクターを搭載しています。それにより、スピードブレーキモジュール上の仮想ボタン 27~31 を維持しながら、滑らかな軸を保つことができます。

このオプションでは、シミュレーションで使用する航空機（商用航空機や民間旅客機など）の種類に応じて操縦のフィーリングを変更することができます。

1. TCA Quadrant Add-On Airbus Edition モジュールを逆さにして、対応するヘッド形状のドライバー（付属していません）を使って各セクターのネジを 2 本ずつ外します。
2. インジケータを参考にしてセクターのポジションを切り替えます: これにより、TCA Quadrant Add-On Airbus Edition モジュールの各軸に対して、滑らかな軸、あるいはディテント/ノッチ付きの軸のいずれかを選択することができます。

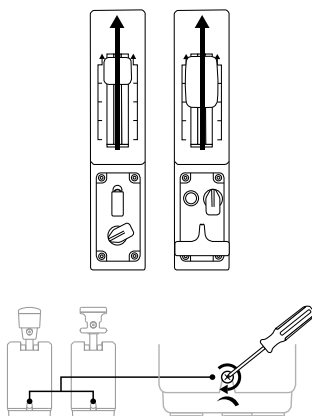


## 摩擦の調整

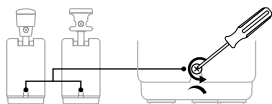
### 重要な注意:

- TCA Quadrant Add-On Airbus Edition モジュールの摩擦は、デフォルトで 50% に設定されています。
- 対応するヘッド形状のドライバー (付属していません)、または TCA Quadrant Airbus Edition に付属するクロスバーで摩擦調整ねじを回すことで、好みに合わせた細かい調整が行えます。

1. 両方の TCA Quadrant Add-On Airbus Edition モジュールレバーを最大値まで押し込み、次に各モジュールの背面にある摩擦調整ねじにアクセスします。
2. 摩擦を大きくするには、摩擦調整ねじを時計回りに回してください。



3. 摩擦を小さくするには、摩擦調整ねじを反時計回りに回してください。

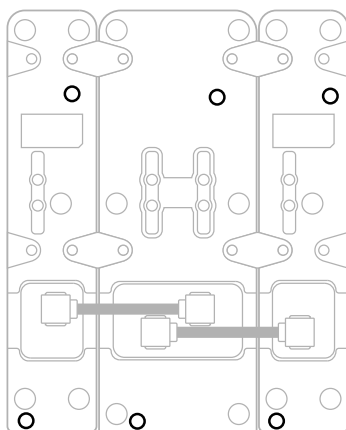


- 摩擦システムの破損を防ぐため、調整ねじの締めすぎに注意してください: 抵抗を感じたら、それ以上は締めないでください。
- TCA Quadrant Add-On Airbus Edition モジュールの内部にねじが落ちてしまうことを避けるため、調整ねじは絶対に完全には外さないでください。

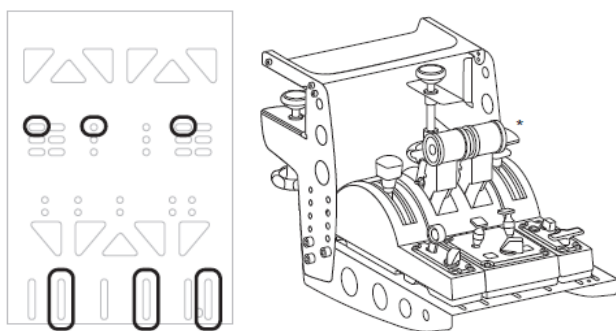
# TCA QUADRANT AIRBUS EDITION\* と TCA QUADRANT ADD-ON AIRBUS EDITION モジュールを TM FLYING CLAMP\*、コックピット\*、またはその他の固定面に取り付ける

\*別売

TCA Quadrant Airbus Edition の底面にある 6 つの穴は、TCA Quadrant Add-On Airbus Edition モジュールとの接続時に、M6 ねじ (付属していません) ですべてのデバイスを固定面に取り付けることができます。



TM Flying Clamp\* の取付図 (\*別売):



## T.A.R.G.E.T 高機能プログラミングソフトウェア

(Thrustmaster Advanced pRogramming Graphical EdiTor)

<https://support.thrustmaster.com> にアクセスします。[ジョイスティック] / [TCA Quadrant Airbus Edition] (または TCA Quadrant Add-On Airbus Edition) をクリックし、[ソフトウェア] を選択します。T.A.R.G.E.T 高機能プログラミングソフトウェアをダウンロードしてインストールしてください。

T.A.R.G.E.T の主な特長:

- 軸の多彩な設定が可能。
- 異なるプログラミングレベルを搭載: Basic、Advanced、Script。
- ドラッグアンドドロップで操作可能。
- TCA Quadrant Airbus Edition スロットルクアドラントを他の Thrustmaster ジョイスティック (T.A.R.G.E.T と互換性のある HOTAS Cougar、HOTAS Warthog、T.16000M、および MFD Cougar Pack) と組み合わせて、1 台の USB デバイスとして認識させることが可能。
- Thrustmaster コミュニティのメンバーらによって作成された高度なプロファイルへのアクセス。



## トラブルシューティング & 警告



<https://support.thrustmaster.com> にアクセスし、製品のファームウェアを更新できるドライバを含むパッケージをダウンロードすると、製品の機能をより詳細に制御することができます。

- **TCA Quadrant Add-On Airbus Edition モジュール が、TCA Quadrant Airbus Edition に接続しても正しく動作しないか、適切に調整されません。**
  - <https://support.thrustmaster.com> にアクセスして、最新のファームウェアバージョンが利用可能かどうかを確認してください。利用可能なバージョンがある場合は、ダウンロードしてインストールしてください。
  - PC の電源を切り、TCA Quadrant Airbus Edition スロットルクアドラント用の USB コネクターを外します。両方の SATA ケーブルがデバイスに正しく接続されていることを確認してください。
  - PC の電源を切り、TCA Quadrant Airbus Edition スロットルクアドラント用の USB コネクターを取り外してください。その後、USB コネクターをもう一度接続し、PC の電源を入れ直してゲームを再起動してください。
  - TCA Quadrant Airbus Edition スロットルクアドラント用の USB コネクターを接続するときは、TFRP ラダーシステム (別売) を使用する場合、必ずラダー軸を中央に置いてください。その際、絶対に TFRP ラダーシステムのペダルに足を置かないでください。
- **TCA Quadrant Add-On Airbus Edition モジュールを、TCA Quadrant Airbus Edition スロットルクアドラントで設定できません。**
  - ゲームのオプション/コントローラー/ゲームパッドまたはジョイスティック メニューで、適切な設定を選択するか、コントローラーのオプションを最初から設定し直してください。
  - <https://support.thrustmaster.com> にアクセスして、最新のファームウェアバージョンが利用可能かどうかを確認してください。利用可能なバージョンがある場合は、ダウンロードしてインストールしてください。
  - 詳しくは、ゲームのユーザーズマニュアルまたはオンラインヘルプを参照してください。
  - T.A.R.G.E.T (Thrustmaster Advanced pRogramming Graphical EdiTor) 高機能プログラミングソフトウェアを使用することもできます。
- **TCA Quadrant Add-On Airbus Edition モジュールの感度が高すぎるか、または低すぎます。**
  - TCA Quadrant Add-On Airbus Edition モジュールの軸は、数回動いて軸の物理的な停止位置に到達した後、自動的にキャリブレーションされます。
  - ゲームのオプション/コントローラー/ゲームパッド/ジョイスティック メニューで、コントローラーの感度およびデッドゾーンを調整してください (これらのオプションが利用可能な場合)。
  - T.A.R.G.E.T (Thrustmaster Advanced pRogramming Graphical EdiTor) 高機能プログラミングソフトウェアを使用することもできます。



これらのデバイスは、娯楽としてのゲーミングエンターテイメント目的での使用を前提としています。これらのデバイスをプロフェッショナルなトレーニングに使用することは固く禁止されています。

## 著作権

©2020 Guillemot Corporation S.A. All rights reserved. Thrustmaster® は、Guillemot Corporation S.A. の登録商標です。

AIRBUS、ロゴ、製品、およびサービスマークは Airbus の登録商標です。All rights reserved.

© Airbus 2020. All rights reserved. Airbus 公式ライセンス取得済み。

All rights reserved. その他、本書に記載の登録商標およびブランド名は、それぞれの所有者に帰属します。本書に含まれるイラストには法的拘束力はありません。本書に含まれる内容、設計および仕様は、事前の通告なしに変更される場合があります、また、各国で異なる場合があります。

## 環境保護推奨

国内の電気電子機器のリサイクル法を遵守してください。

リサイクルのための廃機器の収集地点や廃棄方法についての詳細は、お住まいの地域の自治体までお問い合わせください。

この情報は大切に保管してください。色や形状は実際の製品と異なる場合があります。

本製品をご使用になる前に、プラスチック留め具や粘着テープなどはすべて取り除いてください。

[www.thrustmaster.com](http://www.thrustmaster.com)

Made in China.

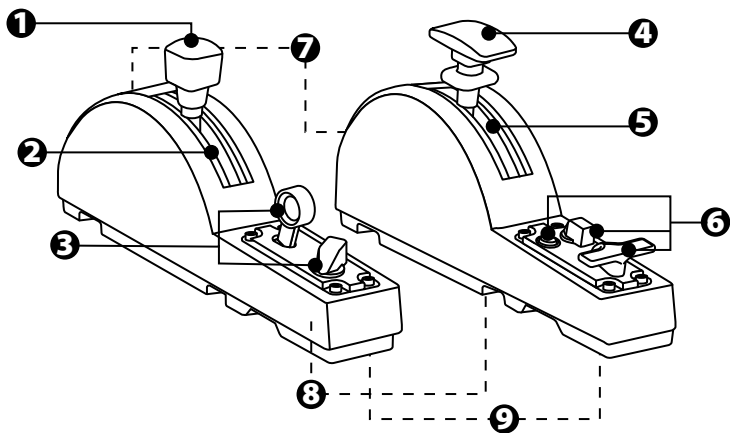


# TCA QUADRANT ADD-ON AIRBUS EDITION

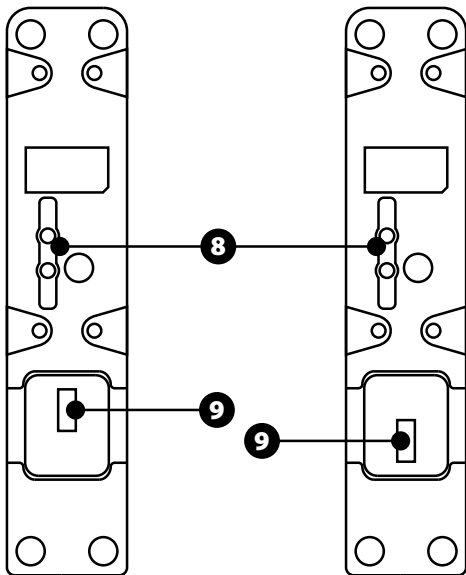
TCA 扰流板襟翼组合空客版

用户手册

技术特性



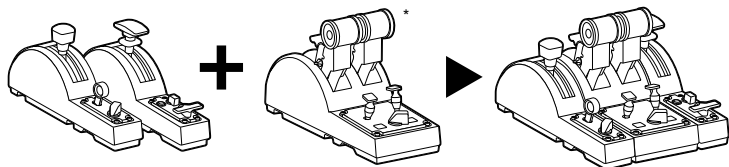




- |  |  |
|--|--|
| <ol style="list-style-type: none"> <li>1. 减速板（阻力板）轴</li> <li>2. 轴上的 4 个止动器 + 5 个虚拟按钮</li> <li>3. 6 个操作按钮</li> <li>4. 襟翼轴</li> <li>5. 轴上的 4 个止动器</li> </ol> | <ol style="list-style-type: none"> <li>6. 4 个操作按钮</li> <li>7. 每个模块上带有的摩擦力调节螺丝</li> <li>8. 用于启用/禁用各轴止动器的机械装置</li> <li>9. 用于连接 TCA Quadrant Airbus Edition（另售）的 SATA 接头</li> </ol> |
|--|--|

## 将 TCA QUADRANT ADD-ON AIRBUS EDITION 模块连接到 TCA QUADRANT AIRBUS EDITION\*

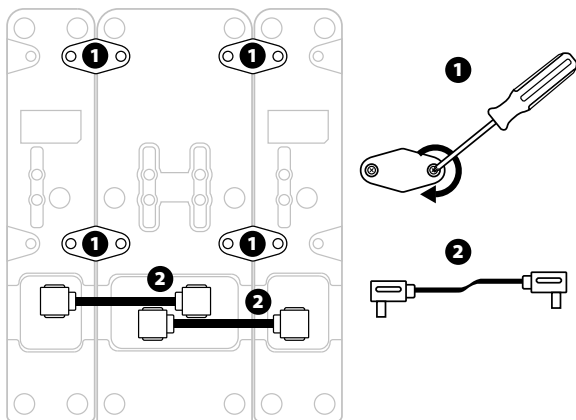
\* 另售

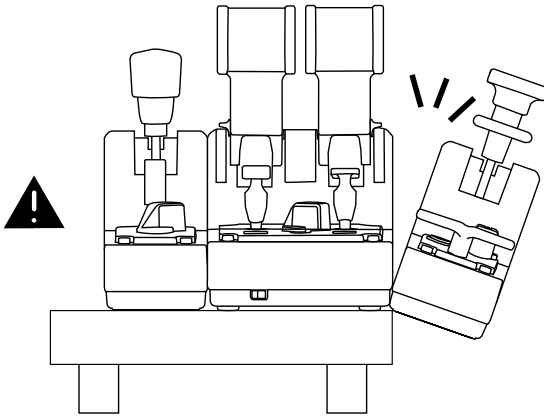
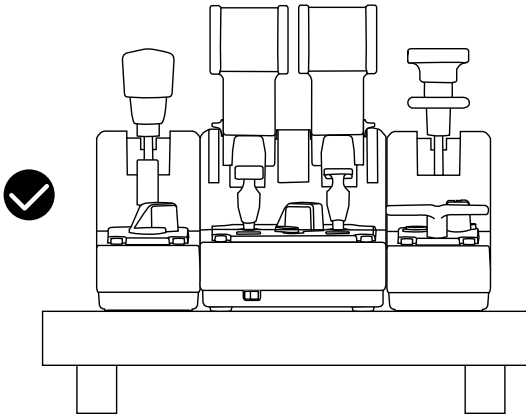


要使用 TCA Quadrant Add-On Airbus Edition 模块，您必须拥有 TCA Quadrant Airbus Edition（另售）。TCA Quadrant Add-On Airbus Edition 模块是 TCA Quadrant Airbus Edition 节流阀弧座的扩展模块，仅当连接到 TCA Quadrant Airbus Edition 的两端时才能工作。

这种模块化设计增加了新的轴和操作按钮，让您能够拓展 TCA Quadrant Airbus Edition 的运动特性（起飞、空中飞行和着陆）。

1. 翻转所有设备，使用带有相应螺丝头的螺丝刀（未含），拧上 TCA Quadrant Airbus Edition 和 TCA Quadrant Add-On Airbus Edition 模块随附的四个连接件，将各个设备连接到一起。
2. 使用 TCA Quadrant Add-On Airbus Edition 随附的 SATA 电缆将减速板模块连接到 TCA Quadrant Airbus Edition 的左侧，将襟翼模块连接到右侧。





- 为避免损坏产品，请使用带有相应螺丝头的螺丝刀（未含）来拧紧/拧松螺丝。
- 只使用 Thustmaster（图马思特）提供的官方电缆：这样，您可以在必要时更新 TCA Quadrant Airbus Edition 的固件。
- 摆放 TCA Quadrant Airbus Edition 时，切勿让 TCA Quadrant Add-On Airbus Edition 模块悬在台面或桌面边缘附近或边缘以外。

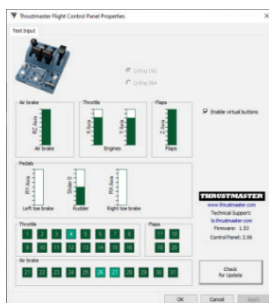
## 安装到 PC 上

1. 请访问 <http://support.thrustmaster.cn>。单击 Joysticks（摇杆）/TCA Quadrant Airbus Edition（或 TCA Quadrant Add-On Airbus Edition），然后选择 Drivers（驱动程序）。下载并安装 PC 驱动程序及其基于 Windows 控制面板的自定义界面。
2. 安装 PC 驱动程序之后，将 TCA Quadrant Airbus Edition 的 USB 接头连接到 PC 上的某个 USB 端口上。
3. 要访问控制面板，请单击**开始 / 应用 / Thrustmaster / 控制面板**（在 Windows® 10/8.1/8 中）。

此时将显示**游戏控制器**对话框。

屏幕上将以**TCA Q-Eng 1&2**的名称（或者**TCA Q-Eng 3&4**，取决于TCA Quadrant Airbus Edition 上引擎[5]的选择器开关所处的位置）列出该附件并且状态显示为**OK（正常）**。

4. 在**游戏控制器**对话框中，单击**属性**可测试和查看所有功能，包括与 TCA Quadrant Add-On Airbus Edition 模块相关的功能。



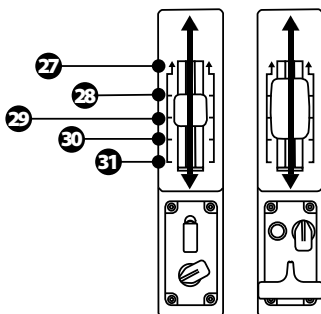
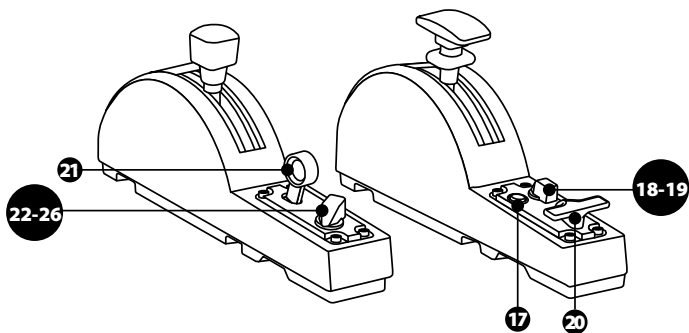
**Enable virtual buttons (启用虚拟按钮)**：此功能允许您为节流阀弧座和减速板模块启用或禁用各个轴上的虚拟按钮。在选择您要使用的模式之后，单击 **Apply (应用)**。

**现在即可开始玩游戏了！**



- 要使用 TCA Quadrant Add-On Airbus Edition 模块，您必须拥有 TCA Quadrant Airbus Edition（另售）。
- 访问 <http://support.thrustmaster.cn> 以下载驱动程序软件包，该软件包可让您更新产品的固件，让您能够更精细地控制产品的各项功能。

# TCA QUADRANT ADD-ON AIRBUS EDITION 15 个按钮和 2 个轴的映射



0 up  
ZR  
65536 down

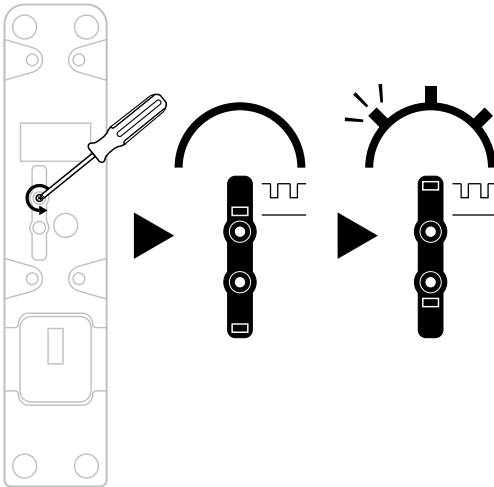
0 up  
Z  
65536 down

## 更改 TCA QUADRANT ADD-ON AIRBUS EDITION 模块各个轴的功能

TCA Quadrant Add-On Airbus Edition 模块配备机械选择器，让您能够禁用每个轴上的止动器/凹槽。这样，您可在保留减速板模块上的虚拟按钮 27 到 31 的同时，拥有平滑轴。

通过此选项，您可以根据飞行模拟中所使用的飞机类型（商用飞机或民航飞机）改变飞行操控感。

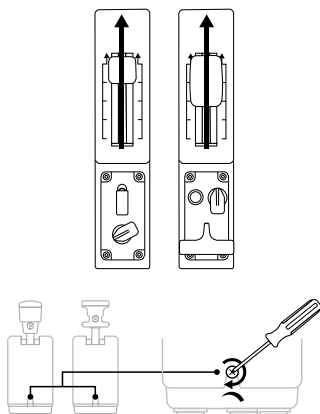
1. 翻转 TCA Quadrant Add-On Airbus Edition 模块，使用带有相应螺丝头的螺丝刀（未含）拧松**每个**选择器上的两个螺丝。
2. 按图示切换选择器的挡位：这样，您可以选择将 TCA Quadrant Add-On Airbus Edition 模块的**每个**轴配置为平滑轴或者带有止动器/凹槽的轴。



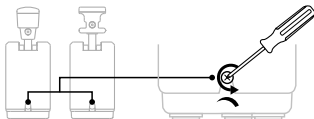
## 调节摩擦力

### 重要事项：

- TCA Quadrant Add-On Airbus Edition 模块上的摩擦力默认设置为50%。
  - 要根据您的偏好精确调节摩擦力，可使用带有相应螺丝头的螺丝刀（未含）或 TCA Quadrant Airbus Edition 随附的十字杆旋转摩擦力调节螺丝。
1. 将 TCA Quadrant Add-On Airbus Edition 模块的两个杠杆都向前推到最大值，然后接触每个模块背部的摩擦力调节螺丝。
  2. 要增大摩擦力，请按顺时针方向旋转摩擦力调节螺丝。



3. 要减小摩擦力，请按逆时针方向旋转摩擦力调节螺丝。

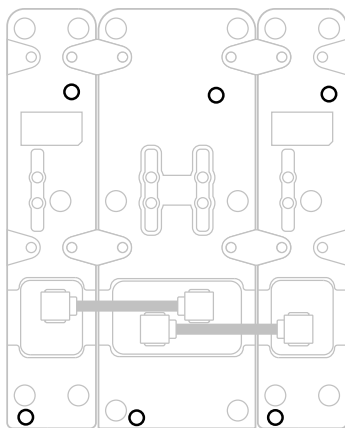


- 为避免损坏摩擦力系统，请小心操作，不要过度拧紧调节螺丝：当您感觉到阻力时，停止旋转螺丝。
- 切勿完全拧松调节螺丝，以免螺丝掉落到 TCA Quadrant Add-On Airbus Edition 模块的内部。

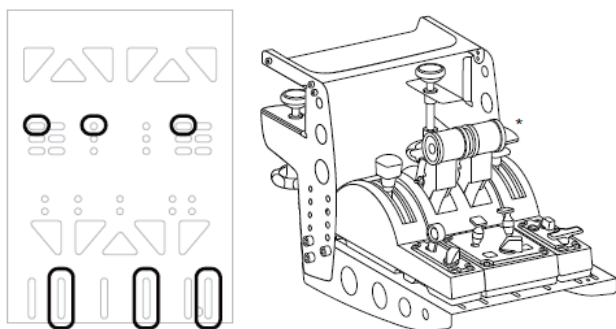
## 将 TCA QUADRANT AIRBUS EDITION\* 和 TCA QUADRANT ADD-ON AIRBUS EDITION 模块固定到 TM FLYING CLAMP\*、驾驶座\* 或其他固定表面上。

\* 另售

在连接 TCA Quadrant Add-On Airbus Edition 模块时，您可以使用 M6 螺丝（未含）通过 TCA Quadrant Airbus Edition 底部的 6 个穿孔将所有设备固定到固定表面上。



TM Flying Clamp\*（另售）的固定示意图：





## T.A.R.G.E.T 高级编程软件

(Thrustmaster Advanced pRogramming Graphical EdiTor)

请访问 <http://support.thrustmaster.cn>。单击 Joysticks (摇杆) / TCA Quadrant Airbus Edition (或 TCA Quadrant Add-On Airbus Edition)，然后选择 Software (软件)。下载并安装 T.A.R.G.E.T 高级编程软件。

T.A.R.G.E.T 的主要功能：

- 支持不同的轴配置。
- 支持不同级别的编程设置：Basic、Advanced 与 Script。
- 采用“拖放”原则。
- 可让 TCA Quadrant Airbus Edition 节流阀弧座与各种 Thrustmaster (图马思特) 摇杆 (HOTAS Cougar、HOTAS Warthog、T.16000M 和 MFD Cougar Pack, 这些设备也兼容 T.A.R.G.E.T) 结合在一起，从而被识别为单个 USB 设备。
- 可访问由 Thrustmaster (图马思特) 社区创建的高级配置文件。



## 故障检修和警告



-访问 <http://support.thrustmaster.cn> 以下载驱动程序软件包，该软件包可让您更新产品的固件，让您能够更精细地控制产品的各项功能。

- **我的 TCA Quadrant Add-On Airbus Edition 模块在连接到 TCA Quadrant Airbus Edition 时运行不正常，或者似乎校准不当。**
  - 请访问 <http://support.thrustmaster.cn> 以检查是否有更新版本的固件可用：若有，请按照说明下载并安装该固件。
  - 关闭 PC 并完全断开 TCA Quadrant Airbus Edition 节流阀弧座的 USB 接头。确保两根 SATA 电缆均正确连接到设备。
  - 关闭 PC 并完全断开 TCA Quadrant Airbus Edition 节流阀弧座的 USB 接头。然后重新连接 USB 连接器，再次打开 PC 并重新启动游戏。
  - 如果您使用的是 TFRP 方向舵系统（另售），则在连接 TCA Quadrant Airbus Edition 节流阀弧座的 USB 接头时，应使方向舵轴始终居中：在执行此操作时，切勿将脚搁在 TFRP 方向舵系统的踏板上。
- **我无法为我的 TCA Quadrant Airbus Edition 节流阀弧座配置 TCA Quadrant Add-On Airbus Edition 模块。**
  - 在游戏的“选项/控制器/游戏手柄或摇杆”菜单中，选择适当的配置，或重新配置控制器选项。
  - 请访问 <http://support.thrustmaster.cn> 以检查是否有更新版本的固件可用：若有，请按照说明下载并安装该固件。
  - 有关详细信息，请参阅游戏的用户手册或联机帮助。
  - 您也可以使用 T.A.R.G.E.T (Thrustmaster Advanced Programming Graphical Editor) 高级编程软件。
- **我的 TCA Quadrant Add-On Airbus Edition 模块过于灵敏或者不够灵敏。**
  - TCA Quadrant Add-On Airbus Edition 模块的各个轴在运动几次之后以及在达到各轴的物理限位之后会自动进行自校准。
  - 在游戏的“选项/控制器/游戏手柄或摇杆”菜单中：调整控制器的灵敏度和盲区（如果这些选项可用）。
  - 您也可以使用 T.A.R.G.E.T (Thrustmaster Advanced Programming Graphical Editor) 高级编程软件。



这些设备的设计用途仅限于游戏娱乐。严禁使用这些设备进行专业训练活动。

## 版权声明

© 2020 Guillemot Corporation S.A 保留所有权利。Thrustmaster®（图马思特）是 Guillemot Corporation S.A（基利摩股份有限公司）的注册商标。Windows® 是 Microsoft Corporation 在美国和/或其他国家/地区的注册商标。

AIRBUS 及其徽标和产品及服务标志是 Airbus 的注册商标。保留所有权利。

© Airbus 2020.保留所有权利。获得 Airbus 官方授权。

特此确认，所有其他商标和品牌名称均为其各自所有者的资产。插图不具约束力。内容、设计和规格可能因国家/地区而异，并可能随时出现更改，恕不另行通知。中国制造。

## 环保建议

请遵守当地电气电子设备的回收法律。

请保留此信息。颜色和装饰风格可能会有所不同。

在使用本产品之前，应先取下塑料紧固件并撕掉胶带。

本产品符合有关 14 岁及以上儿童适用产品的所有标准。本产品不适合未满 14 岁的儿童使用。

[www.thrustmaster.com](http://www.thrustmaster.com)



**THRUSTMASTER®**

技术支持

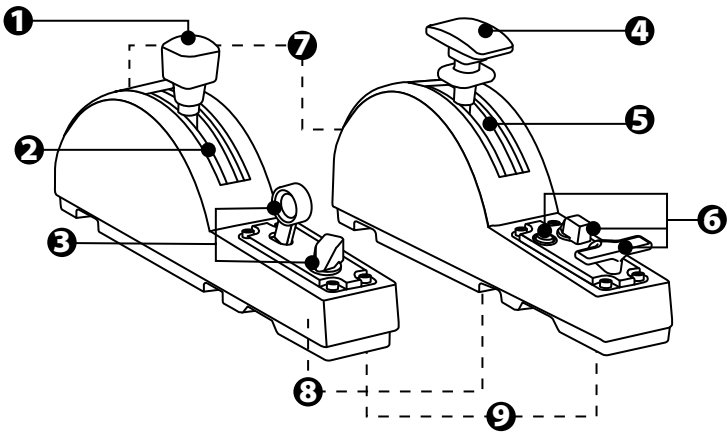
<http://support.thrustmaster.cn>

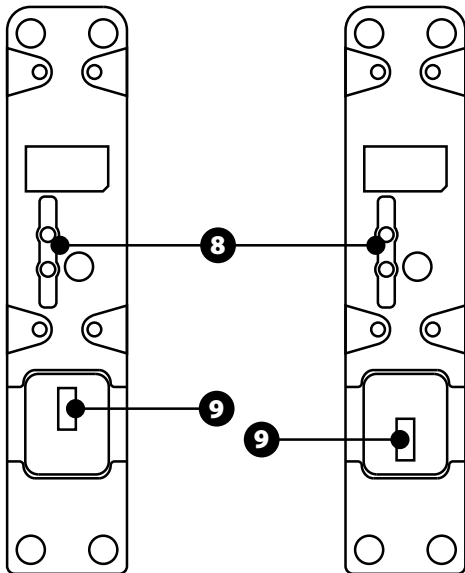


# TCA QUADRANT ADD-ON AIRBUS EDITION

使用者手冊

技術特性

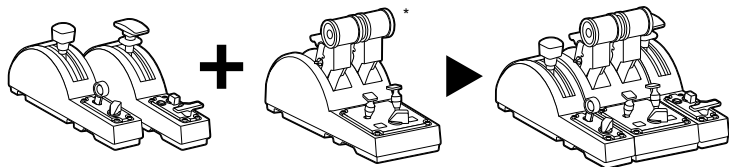




- |   |  |
|---|--|
| <ol style="list-style-type: none"> <li>1. 減速板（阻力板）軸</li> <li>2. 軸上的 4 個止動器 + 5 個<b>虛擬</b>按鈕</li> <li>3. 6 個操作按鈕</li> <li>4. 襟翼軸</li> <li>5. 軸上的 4 個止動器</li> </ol> | <ol style="list-style-type: none"> <li>6. 4 個操作按鈕</li> <li>7. <b>每個</b>模組上帶有的摩擦力調節螺絲</li> <li>8. 用於啟用/停用各軸止動器的機械裝置</li> <li>9. 用於<b>連接</b> TCA Quadrant Airbus Edition（另售）的 SATA 接頭</li> </ol> |
|---|--|

## 將 TCA QUADRANT ADD-ON AIRBUS EDITION 模組連接到 TCA QUADRANT AIRBUS EDITION\*

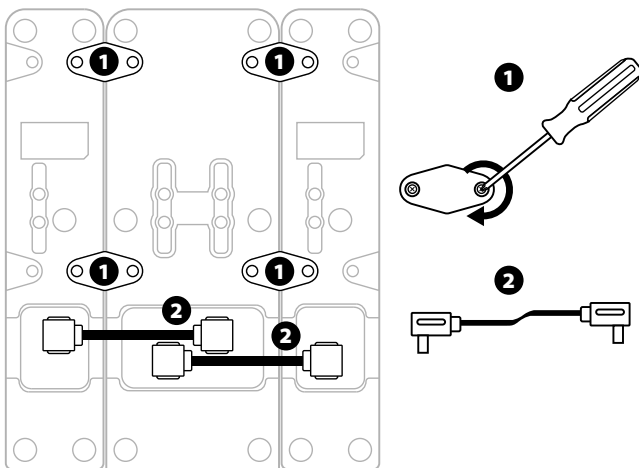
\* 另售

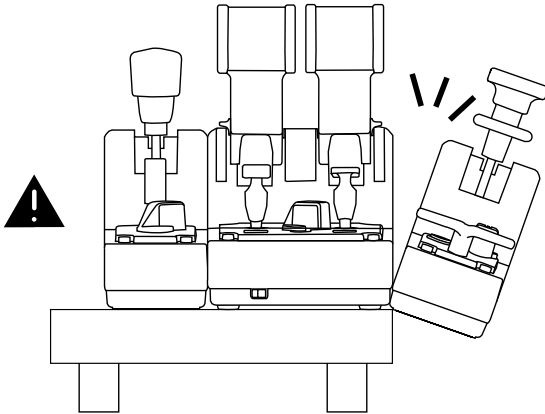
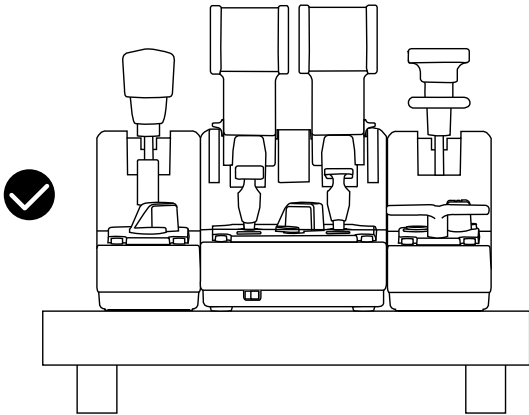


要使用 TCA Quadrant Add-On Airbus Edition 模組，您必須擁有 TCA Quadrant Airbus Edition（另售）。TCA Quadrant Add-On Airbus Edition 模組是 TCA Quadrant Airbus Edition 節流閥弧座的擴展模組，僅當連接到 TCA Quadrant Airbus Edition 的兩端時才能工作。

這種模組化設計增加了新的軸和操作按鈕，讓您能夠拓展 TCA Quadrant Airbus Edition 的運動特性（起飛、空中飛行和著陸）。

1. 翻轉所有裝置，使用帶有相應螺絲頭的螺絲刀（未含），擰上 TCA Quadrant Airbus Edition 和 TCA Quadrant Add-On Airbus Edition 模組隨附的四個連接件，將各個裝置連接到一起。
2. 使用 TCA Quadrant Add-On Airbus Edition 隨附的 SATA 連接線將減速板模組連接到 TCA Quadrant Airbus Edition 的左側，將襟翼模組連接到右側。





- 為避免損壞產品，請使用帶有相應螺絲頭的螺絲刀（未含）來擰緊/擰松螺絲。
- 只使用 Thrustmaster（圖馬思特）提供的官方連接線：這樣，您可以在必要時更新 TCA Quadrant Airbus Edition 的韌體。
- 擺放 TCA Quadrant Airbus Edition 時，切勿讓 TCA Quadrant Add-On Airbus Edition 模組懸在檯面或桌面邊緣附近或邊緣以外。

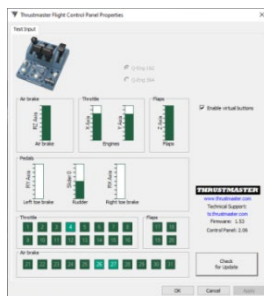
## 安裝到 PC 上

1. 請瀏覽 <https://support.thrustmaster.com>。按一下 **Joysticks (搖桿) / TCA Quadrant Airbus Edition** (或 **TCA Quadrant Add-On Airbus Edition**)，然後選取 **Drivers (驅動程式)**。下載並安裝 PC 驅動程式及其基於 Windows 控制台的自訂介面。
2. 安裝 PC 驅動程式之後，將 TCA Quadrant Airbus Edition 的 USB 接頭連接到 PC 上的某個 USB 埠上。
3. 要存取控制台，請按一下 **開始 / 應用 / Thrustmaster / 控制台** (在 Windows® 10 / 8.1 / 8 中)。

此時將顯示**遊戲控制器**對話方塊。

螢幕上將以 **TCA Q-Eng 1&2** 的名稱 (或者 **TCA Q-Eng 3&4**，取決於 TCA Quadrant Airbus Edition 上引擎 [5] 的選取器開關所處的位置) 列出該附件並且**狀態**顯示為 **OK (正常)**。

4. 在**遊戲控制器**對話方塊中，按一下 **內容**可測試和檢視所有功能，包括與 TCA Quadrant Add-On Airbus Edition 模組相關的功能。



**Enable virtual buttons (啟用虛擬按鈕)**：此功能允許您為節流閥弧座和減速板模組啟用或停用各個軸上的**虛擬按鈕**。在選取您要使用的模式之後，按一下 **Apply (應用)**。

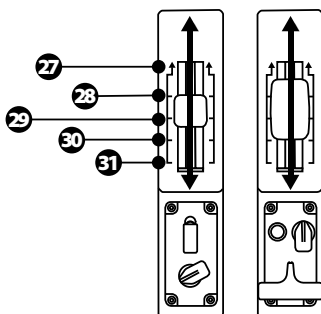
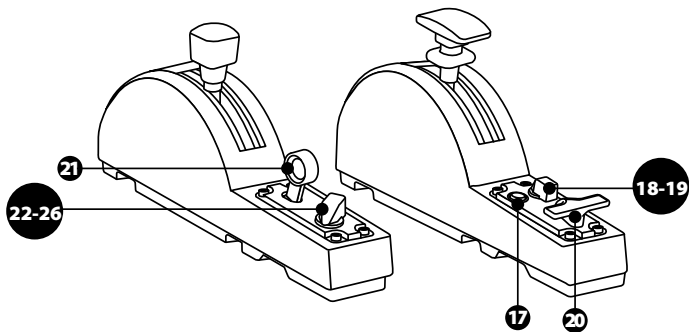
**現在即可開始玩遊戲了！**



- 要使用 TCA Quadrant Add-On Airbus Edition 模組，您必須擁有 TCA Quadrant Airbus Edition (另售)。
- 瀏覽 <https://support.thrustmaster.com> 以下載驅動程式套裝軟體，該套裝軟體可讓您更新產品的韌體，讓您能夠更精細地控制產品的各項功能。



# TCA QUADRANT ADD-ON AIRBUS EDITION 15 個按鈕和 2 個軸的對應



0 向上  
ZR  
65536 向下

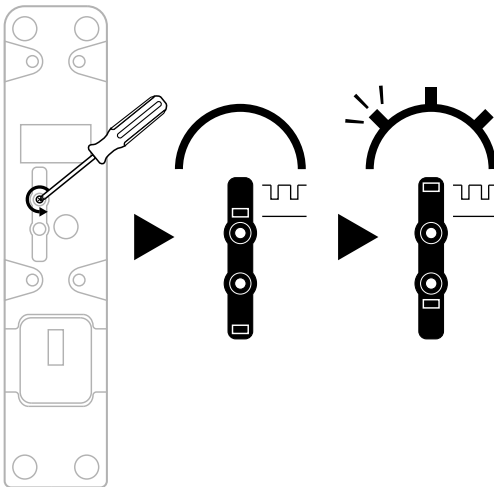
0 向上  
Z  
65536 向下

## 變更 TCA QUADRANT ADD-ON AIRBUS EDITION 模組各個軸的功能

TCA Quadrant Add-On Airbus Edition 模組配備機械選取器，讓您能夠停用**每個**軸上的止動器/凹槽。這樣，您可在保留減速板模組上的**虛擬按鈕 27 到 31**的同時，擁有平滑軸。

透過此選項，您可以根據飛行模擬中所使用的飛機類型（商用飛機或民航飛機）改變飛行操控感。

1. 翻轉 TCA Quadrant Add-On Airbus Edition 模組，使用帶有相應螺絲頭的螺絲刀（未含）擰松**每個**選取器上的兩個螺絲。
2. 按圖示切換選取器的擋位：這樣，您可以選取將 TCA Quadrant Add-On Airbus Edition 模組的**每個**軸配置為平滑軸或者帶有止動器/凹槽的軸。

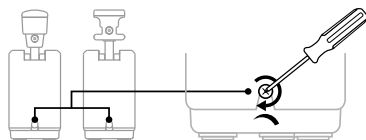
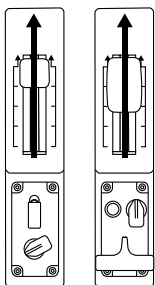


## 調節摩擦力

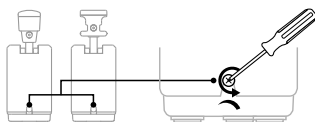
### 重要事項：

- TCA Quadrant Add-On Airbus Edition 模組上的摩擦力默認設定為 50%。
- 要根據您的偏好精確調節摩擦力，可使用帶有相應螺絲頭的螺絲刀（未含）或 TCA Quadrant Airbus Edition 隨附的十字桿旋轉摩擦力調節螺絲。

1. 將 TCA Quadrant Add-On Airbus Edition 模組的兩個杠桿都向前推到最大值，然後接觸每個模組背部的摩擦力調節螺絲。
2. 要增大摩擦力，請按順時針方向旋轉摩擦力調節螺絲。



3. 要減小摩擦力，請按逆時針方向旋轉摩擦力調節螺絲。

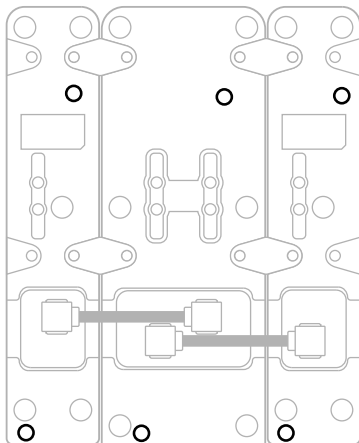


- 為避免損壞摩擦力系統，請小心操作，不要過度擰緊調節螺絲：當您感覺到阻力時，停止旋轉螺絲。
- 切勿完全擰松調節螺絲，以免螺絲掉落到 TCA Quadrant Add-On Airbus Edition 模組的內部。

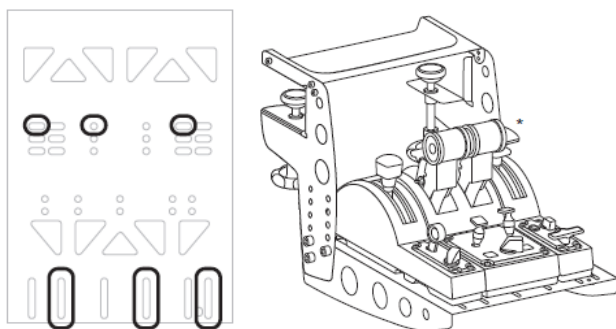
將 TCA QUADRANT AIRBUS EDITION\* 和 TCA QUADRANT ADD-ON AIRBUS EDITION 模組固定到 TM FLYING CLAMP\*、駕駛座\* 或其他固定表面上。

\* 另售

在連接 TCA Quadrant Add-On Airbus Edition 模組時，您可以使用 M6 螺絲（未含）透過 TCA Quadrant Airbus Edition 底部的 6 個穿孔將所有裝置固定到固定表面上。



TM Flying Clamp\*（另售）的固定示意圖：



## T.A.R.G.E.T 進階程式設計軟體

(Thrustmaster Advanced pRogramming Graphical EdiTor)

請瀏覽 <https://support.thrustmaster.com>。按一下 Joysticks (搖桿) / TCA Quadrant Airbus Edition (或 TCA Quadrant Add-On Airbus Edition)，然後選取 Software (軟體)。下載並安裝 T.A.R.G.E.T 進階程式設計軟體。

T.A.R.G.E.T 的主要功能：

- 支援不同的軸配置。
- 支援不同等級的編程設定：Basic、Advanced 與 Script。
- 採用「拖放」原則。
- 可讓 TCA Quadrant Airbus Edition 節流閥弧座與各種 Thrustmaster (圖馬思特) 搖桿 (HOTAS Cougar、HOTAS Warthog、T.16000M 和 MFD Cougar Pack, 這些裝置也相容於 T.A.R.G.E.T) 結合在一起，從而被識別為單個 USB 裝置。
- 可存取由 Thrustmaster (圖馬思特) 社群建立的進階設定檔。



## 故障檢修和警告



瀏覽 <https://support.thrustmaster.com> 以下載驅動程式套裝軟體，該套裝軟體可讓您更新產品的韌體，讓您能夠更精細地控制產品的各項功能。

### ● 我的 TCA Quadrant Add-On Airbus Edition 模組在連接到 TCA Quadrant Airbus Edition 時運作不正常，或者似乎校準不當。

- 請瀏覽 <https://support.thrustmaster.com> 以檢查是否有更新版本的韌體可用：若有，請按照說明下載並安裝該韌體。
- 關閉 PC 並完全斷開 TCA Quadrant Airbus Edition 節流閥弧座的 USB 接頭。確保兩根 SATA 連接線均正確連接到裝置。
- 關閉 PC 並完全斷開 TCA Quadrant Airbus Edition 節流閥弧座的 USB 接頭。然後重新連接 USB 連接器，再次開啟 PC 並重新啟動遊戲。
- 如果您使用的是 TFRP 方向舵系統（另售），則在連接 TCA Quadrant Airbus Edition 節流閥弧座的 USB 接頭時，應使方向舵軸始終居中：在執行此操作時，切勿將腳擱在 TFRP 方向舵系統的踏板上。

### ● 我無法為我的 TCA Quadrant Airbus Edition 節流閥弧座設定 TCA Quadrant Add-On Airbus Edition 模組。

- 在遊戲的「選項/控制器/遊戲手把或搖桿」功能表中，選取適當的設定，或重新設定控制器選項。
- 請瀏覽 <https://support.thrustmaster.com> 以檢查是否有更新版本的韌體可用：若有，請按照說明下載並安裝該韌體。
- 有關詳細資訊，請參閱遊戲的使用者手冊或線上說明。
- 您也可以使用 T.A.R.G.E.T (Thrustmaster Advanced pRogramming Graphical EdiTor) 進階程式設計軟體。

### ● 我的 TCA Quadrant Add-On Airbus Edition 模組過於敏感或者不夠敏感。

- TCA Quadrant Add-On Airbus Edition 模組的各個軸在運動幾次之後以及在達到各軸的物理限位之後會自動進行自校準。
- 在遊戲的「選項/控制器/遊戲手把或搖桿」功能表中：調整控制器的靈敏度和盲區（如果這些選項可用）。
- 您也可以使用 T.A.R.G.E.T (Thrustmaster Advanced pRogramming Graphical EdiTor) 進階程式設計軟體。



這些裝置的設計用途僅限於遊戲娛樂。嚴禁使用這些裝置進行專業訓練活動。

版權所有

© 2020 Guillemot Corporation S.A. 保留所有權利。圖馬思特® 為 Guillemot Corporation S.A 的註冊商標。

AIRBUS 及其徽標和產品及服務標章是 Airbus 的註冊商標。保留所有權利。

© Airbus 2020.保留所有權利。獲得 Airbus 官方授權。

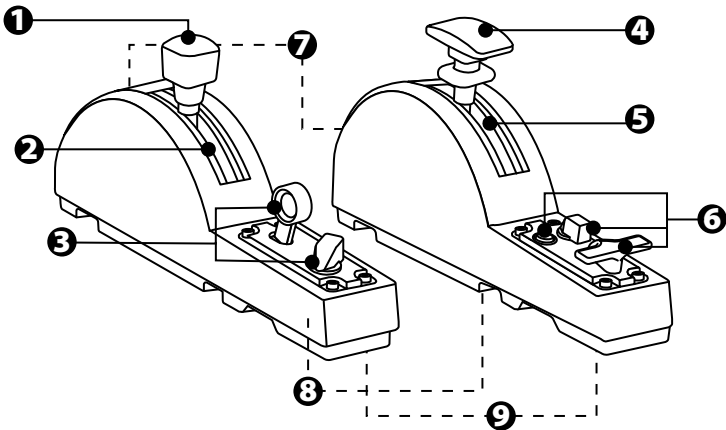
其他商標或註冊商標均為其個別擁有者的財產。圖片並不受約束。產品內容、設計和規格如有變更，恕不另行通知，並可能會視乎國家而不同。中國製造。



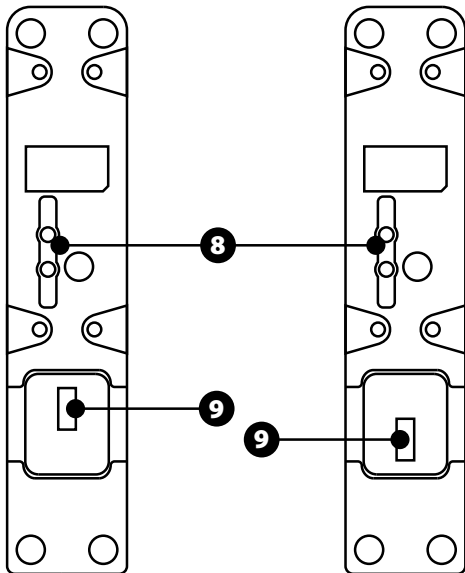
# TCA QUADRANT ADD-ON AIRBUS EDITION

사용설명서

## 기술적 특징



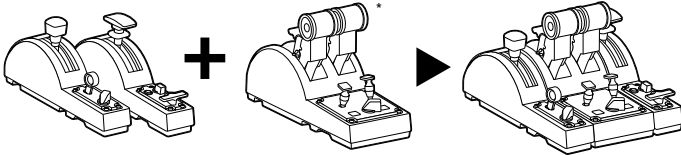




- |   |  |
|---|--|
| <ol style="list-style-type: none"> <li>1. 스피드 브레이크(에어 브레이크) 축</li> <li>2. 축에 있는 4 개의 디텐트 + 5 개의 가상 버튼</li> <li>3. 6 개의 동작 버튼</li> <li>4. 플랩 축</li> <li>5. 축에 있는 4 개의 디텐트</li> </ol> | <ol style="list-style-type: none"> <li>6. 4 동작 버튼</li> <li>7. 각 모듈에 있는 마찰 조절 나사</li> <li>8. 각 축의 디텐트를 활성화/비활성화하는 메커니즘</li> <li>9. TCA Quadrant Airbus Edition 용 SATA 커넥터(별도 판매)</li> </ol> |
|---|--|

# TCA QUADRANT ADD-ON AIRBUS EDITION 모듈을 TCA QUADRANT AIRBUS EDITION\*에 연결하기

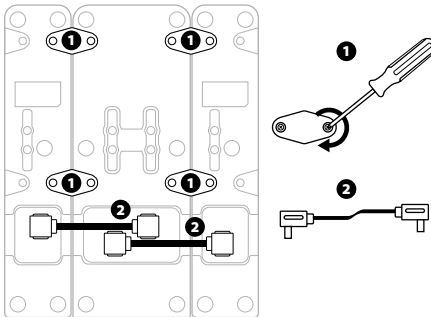
\*별도 판매

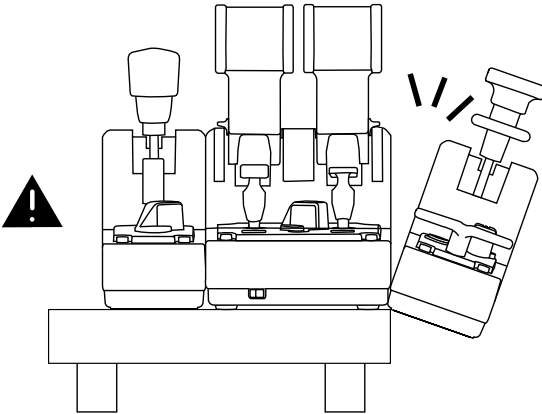
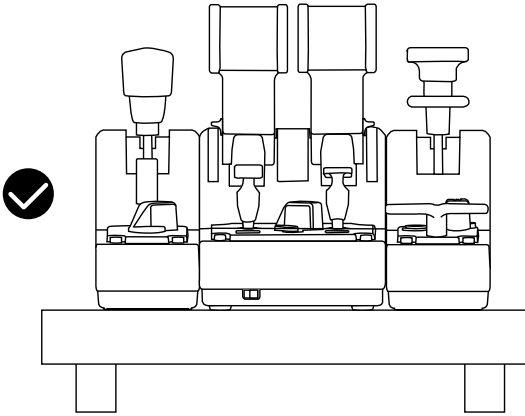


TCA Quadrant Add-On Airbus Edition 모듈을 사용하려면, TCA Quadrant Airbus Edition(별도 판매)을 소유해야 합니다. TCA Quadrant Add-On Airbus Edition 모듈은 TCA Quadrant Airbus Edition 스토틀 쿼드런트의 확장 모듈로, TCA Quadrant Airbus Edition의 양 측면에 연결되는 경우에만 작동합니다.

이러한 모듈 방식은 새로운 축과 동작 버튼을 추가해 TCA Quadrant Airbus Edition의 운동 역학(이륙, 비행 및 착륙)을 확장하도록 해줍니다.

- 모든 장치를 거꾸로 뒤집어 머리 모양이 알맞은 스크루드라이버를 사용해(미포함) TCA Quadrant Airbus Edition 및 TCA Quadrant Add-On Airbus Edition 모듈에 동봉된 4 개의 부착형 구성품을 나사로 조여 전체가 하나가 되게 연결합니다.
- TCA Quadrant Add-On Airbus Edition에 동봉된 SATA 케이블을 사용해 스피드 브레이크를 TCA Quadrant Airbus Edition의 왼쪽에, 플랩 모듈을 오른쪽에 연결합니다.





- 제품이 손상되지 않도록 머리 모양이 알맞은 스크루드라이버를 사용해(미포함) 나사를 조이고/푸십시오.
- Thrustmaster가 제공하는 공식 케이블만 사용하십시오. 이를 통해 필요 시 TCA Quadrant Airbus Edition의 펌웨어를 업데이트할 수 있습니다.
- TCA Quadrant Add-On Airbus Edition 모듈 가운데 하나를 테이블 또는 책상의 가장자리 주변 또는 끝 걸어 놓은 상태로 TCA Quadrant Airbus Edition을 배치하지 마십시오.

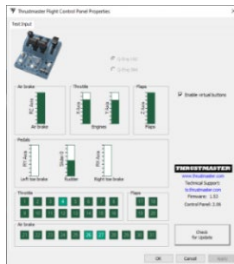
## PC 설치

1. <https://support.thrustmaster.com>을 방문해 주십시오. Joysticks(조이스틱) / TCA Quadrant Airbus Edition(또는 TCA Quadrant Add-On Airbus Edition)을 클릭한 후 Drivers(드라이버)를 선택합니다. PC 드라이버와 Windows 제어판용 맞춤형 인터페이스를 다운로드 및 설치합니다.
2. PC 드라이버가 설치되면 TCA Quadrant Airbus Edition의 USB 커넥터를 PC의 USB 포트에 연결합니다.
3. 제어판으로 이동해 Start(시작) / APP(앱) / Thrustmaster / 제어판(Windows® 10 / 8.1 / 8에서)을 클릭합니다.

**게임 컨트롤러** 대화상자가 표시됩니다.

액세서리 목록이 TCA Q-Eng 1&2(또는 TCA Q-Eng 3&4, TCA Quadrant Airbus Edition의 엔진 선택터 스위치의 위치에 따라 다름[5])이라는 이름 및 OK 상태와 함께 화면에 표시됩니다.

4. 게임 컨트롤러 대화상자에서 Properties(속성)를 클릭하여 TCA Quadrant Add-On Airbus Edition 모듈과 관련된 기능을 포함해 모든 기능을 테스트하고 확인합니다.



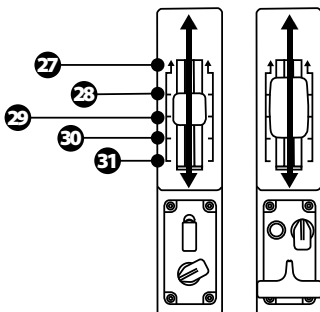
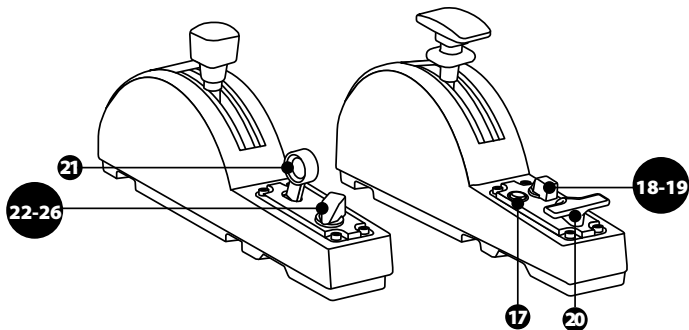
**Enable virtual buttons (가상 버튼 활성화):** 이 기능을 사용하면 스톱을 쿼드런트 및 스피드 브레이크 모듈용 축에서 사용할 수 있는 가상 버튼을 활성화 또는 비활성화할 수 있습니다. 사용하려는 모드를 선택한 후 Apply(적용)를 클릭합니다.

**이제 레이스링 준비가 되었습니다!**

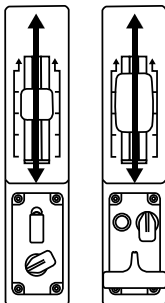


- TCA Quadrant Add-On Airbus Edition 모듈을 사용하려면, TCA Quadrant Airbus Edition(별도 판매)을 소유해야 합니다.
- <https://support.thrustmaster.com>을 방문해 드라이버가 포함된 패키지를 다운로드받아 제품의 펌웨어를 업데이트하고 제품 기능을 더욱 세밀하게 컨트롤하십시오.

# TCA QUADRANT ADD-ON AIRBUS EDITION 모듈의 15 개 버튼 및 2 개 축 매핑하기



0 up  
ZR  
65536 down



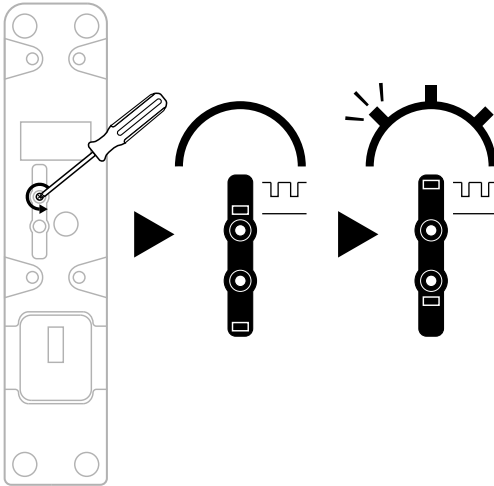
0 up  
Z  
65536 down

## TCA QUADRANT ADD-ON AIRBUS EDITION 모듈에서 축 변경하기

TCA Quadrant Add-On Airbus Edition 모듈에는 기계식 셀렉터가 탑재되어 각 축의 디텐트/노치를 비활성화할 수 있습니다. 이를 통해 축을 부드럽게 하는 한편 스피드 브레이크 모듈에서 가상 버튼 27~31 을 그대로 유지할 수 있습니다.

이 옵션을 사용하면 시뮬레이션에서 사용 중인 항공기 기종에 따라(상업용 항공기 또는 민간 항공기) 운항 감각을 변경할 수 있습니다.

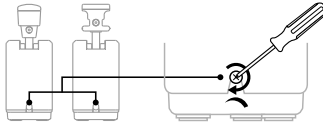
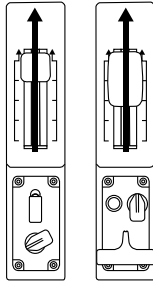
1. TCA Quadrant Add-On Airbus Edition 모듈을 거꾸로 뒤집어 머리 모양이 알맞은 스크루드라이버를 사용해(미포함) 각 셀렉터에 있는 2 개의 나사를 풀니다.
2. 아래 그림을 가이드 삼아 셀렉터의 위치를 변경합니다. 이를 통해 TCA Quadrant Add-On Airbus Edition 모듈에 있는 각 축을 부드러운 축 또는 디텐트/노치가 있는 축으로 선택할 수 있습니다.



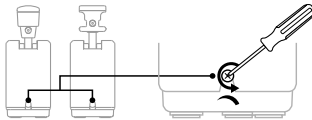
# 마찰 조절하기

## 중요 사항:

- TCA Quadrant Add-On Airbus Edition 모듈의 마찰은 50%로 기본 설정되어 있습니다.
  - 기호에 따라 정확하게 조정하려면, 머리 모양이 알맞은 스크루드라이버를 사용하거나(미포함) TCA Quadrant Airbus Edition 에 동봉된 크로스바를 사용해 마찰 조절 나사를 돌리십시오.
1. TCA Quadrant Add-On Airbus Edition 모듈 레버 두 개를 최대값까지 민 후 각 모듈 뒷면에 있는 마찰 조절 나사를 이용하십시오.
  2. 마찰을 높이려면 마찰 조절 나사를 시계 방향으로 돌립니다.



3. 마찰을 줄이려면 마찰 조절 나사를 시계 반대 방향으로 돌립니다.

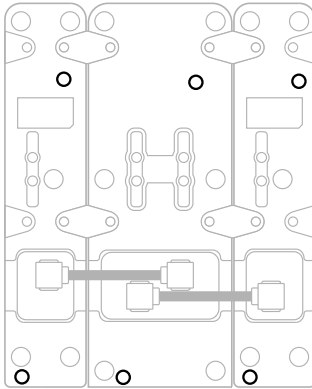


- 마찰 시스템이 손상되지 않도록 하려면 조절 나사를 너무 세게 조이지 말아야 합니다. 저항이 느껴지면 나사를 돌리는 일을 멈추십시오.
- 나사가 TCA Quadrant Add-On Airbus Edition 모듈의 본체 안으로 떨어지지 않도록 조절 나사를 완전히 풀지 마십시오.

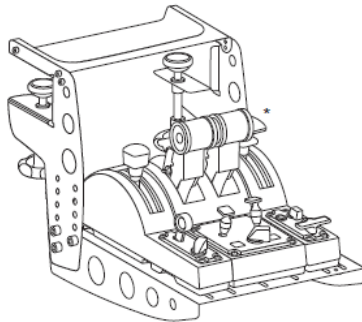
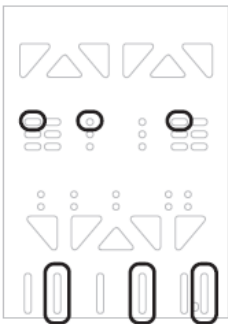
# TCA QUADRANT AIRBUS EDITION\* 및 TCA QUADRANT ADD-ON AIRBUS EDITION 모듈을 TM FLYING CLAMP\*, 조종석\* 또는 기타 고정된 표면에 부착하기

\*별도 판매

TCA Quadrant Add-On Airbus Edition 모듈을 연결한 경우 TCA Quadrant Airbus Edition 아랫면에 있는 6 개의 구멍을 활용해 M6 나사로(미포함) 모든 장치를 고정된 표면에 부착할 수 있습니다.



TM Flying Clamp\* 부착 다이어그램(\*별도 판매):





## T.A.R.G.E.T 고급 프로그래밍 소프트웨어

(Thrustmaster Advanced Programming Graphical Editor)

<https://support.thrustmaster.com> 을 방문해 주십시오.

Joysticks(조이스틱) / TCA Quadrant Airbus Edition(또는 TCA Quadrant Add-On Airbus Edition)을 클릭한 후 Software(소프트웨어)를 선택합니다. 고급 프로그래밍 소프트웨어인 T.A.R.G.E.T 을 다운로드 및 설치하십시오.

T.A.R.G.E.T의 주요 기능:

- 축을 각각 다르게 구성할 수 있습니다.
- 프로그래밍 수준 차별화 가능: Basic, Advanced 및 Script.
- 드래그 앤 드롭 원리 사용.
- TCA Quadrant Airbus Edition 스톱볼 쿼드런트와 다양한 Thrustmaster 조이스틱(HOTAS Cougar, HOTAS Warthog, T.16000M, MFD Cougar Pack, 및 T.A.R.G.E.T와 호환 가능한 모든 유형)을 결합해 단일 USB 장치로 인식되게 합니다.
- Thrustmaster 커뮤니티가 생성하는 고급 프로파일에 접근합니다.



## 문제 해결 및 경고



<https://support.thrustmaster.com>을 방문해 드라이버가 포함된 패키지를 다운로드받아 제품의 펌웨어를 업데이트하고 제품 기능을 더욱 세밀하게 컨트롤하십시오.

- **TCA Quadrant Airbus Edition 을 연결하면 TCA Quadrant Add-On Airbus Edition 모듈이 제대로 작동하지 않거나 부적절하게 보정된 것 같습니다.**
  - <https://support.thrustmaster.com> 을 방문해 사용할 수 있는 최신 버전의 펌웨어가 있는지 확인하십시오. 있는 경우 지침에 따라 다운로드하고 설치하십시오.
  - PC 전원을 끄고 TCA Quadrant Airbus Edition 스토를 쿼드런트용 USB 커넥터를 분리합니다. SATA 케이블이 장치에 올바르게 연결되어 있는지 확인하십시오.
  - PC 전원을 끄고 TCA Quadrant Airbus Edition 스토를 쿼드런트용 USB 커넥터를 분리합니다. 그런 다음 USB 커넥터를 다시 연결하고 PC 전원을 켜 다음 게임을 다시 시작하십시오.
  - TFRP 러더 시스템(별도 판매)을 사용하는 경우 TCA Quadrant Airbus Edition 스토를 쿼드런트용 USB 커넥터를 연결할 때는 항상 러더 축을 중앙에 두십시오. 연결하는 동안 TFRP 러더 시스템의 페달을 발로 밟지 마십시오.
- **TCA Quadrant Add-On Airbus Edition 모듈로 TCA Quadrant Airbus Edition 스토를 쿼드런트를 구성할 수 없습니다.**
  - 게임 옵션/컨트롤러/게임패드 또는 조이스틱 메뉴에서 적절한 환경 설정을 선택하거나 컨트롤러 옵션을 완전히 재구성하십시오.
  - <https://support.thrustmaster.com> 을 방문해 사용할 수 있는 최신 버전의 펌웨어가 있는지 확인하십시오. 있는 경우 지침에 따라 다운로드하고 설치하십시오.
  - 더 자세한 내용은 해당 게임의 사용설명서 또는 온라인 도움말을 참조하십시오.
  - T.A.R.G.E.T (Thrustmaster Advanced pRogramming Graphical EdiTor) 고급 프로그래밍 소프트웨어를 사용할 수도 있습니다.
- **TCA Quadrant Add-On Airbus Edition 모듈이 너무 민감하거나 충분히 민감하지 않습니다.**
  - TCA Quadrant Add-On Airbus Edition 모듈은 몇 번의 움직임 후 및 축이 물리적인 정지 지점에 도달한 후 자동으로 자체 보정됩니다.
  - 게임 옵션/컨트롤러/게임패드 또는 조이스틱 메뉴에서 민감도와 컨트롤러의 사각지대를 조정하십시오(해당 옵션을 이용할 수 있는 경우).
  - T.A.R.G.E.T (Thrustmaster Advanced pRogramming Graphical EdiTor) 고급 프로그래밍 소프트웨어를 사용할 수도 있습니다.



이 장치는 게이밍 엔터테인먼트 목적으로만 사용해야 합니다. 전문적인 교육 활동에 이 장치를 사용하는 것은 엄격히 금지됩니다.

## COPYRIGHT

© 2020 Guillemot Corporation S.A. 모든 권리 보유. Thrustmaster®는 Guillemot Corporation S.A. 의 등록상표입니다.

AIRBUS, 해당 회사의 로고와 제품 및 서비스 마크는 Airbus 의 등록 상표입니다. 모든 권리 보유.

© Airbus 2020. 모든 권리 보유. Airbus 의 공식 라이선스 획득.

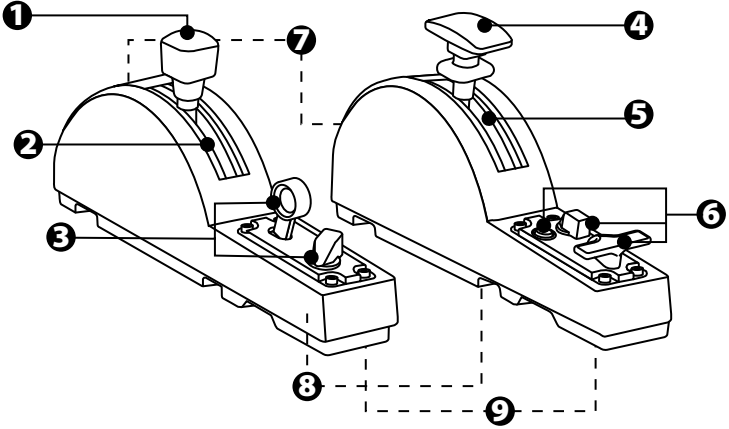
다른 모든 상표는 해당 소유자의 자산입니다. 도면은 법적 구속력이 없습니다. 설명서의 내용, 설계 및 사양은 예고 없이 변경될 수 있으며, 나라마다 서로 다를 수 있습니다. 제조국: 중국

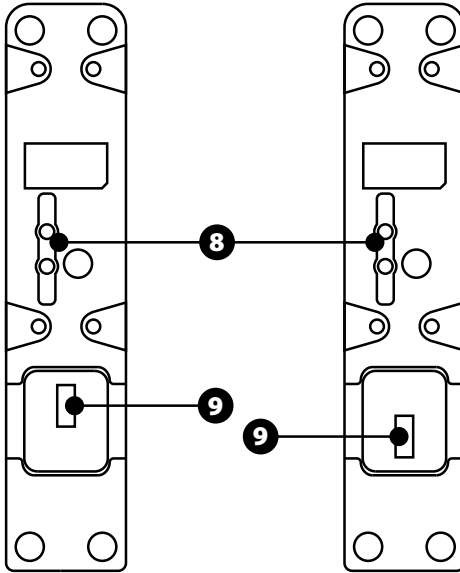


# TCA QUADRANT ADD-ON AIRBUS EDITION

دليل المستخدم

الميزات التقنية

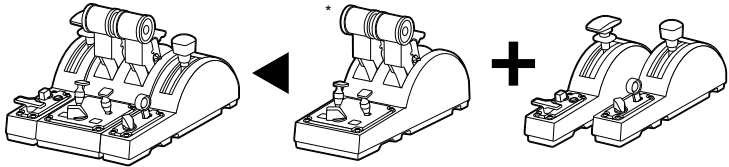




1. محور مكبح سرعة (مكبح هوائي)
2. 4 حابسات على المحور + 5 أزرار افتراضية
3. 6 أزرار مهام
4. محور قلابات
5. 4 حابسات على المحور
6. 4 أزرار مهام
7. برغي ضبط الاحتكاك على كل وحدة
8. آلية تمكين/تعطيل الحابسات على كل محور
9. موصلات SATA لربعية الخائق TCA

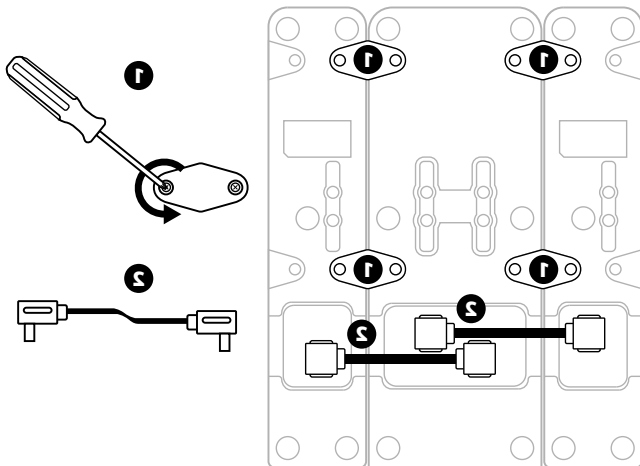
Quadrant Airbus Edition (ثباع منفصلة)

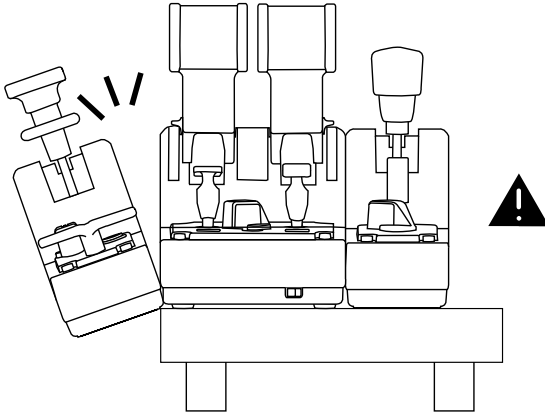
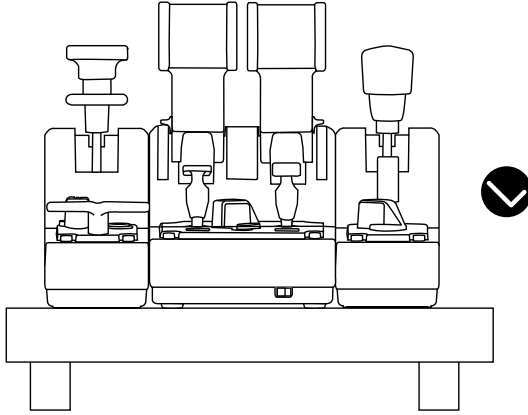
توصيل وحدات TCA QUADRANT ADD-ON AIRBUS EDITION بربرعية الخانق \*TCA QUADRANT AIRBUS EDITION  
\*تباع منفصلة



لاستخدام وحدات TCA Quadrant Add-On Airbus Edition، يجب أن تتوفر لديك بربرعية TCA Quadrant Airbus Edition (تُباع منفصلة). ووحدات TCA Quadrant Add-On Airbus Edition هي امتداد لبربرعية الخانق TCA Quadrant Airbus Edition، وتعمل فقط عند توصيلها بكلا جانبي بربرعية الخانق TCA Quadrant Airbus Edition. يضيف هذا التوصيل النمطي محاور وأزرار مهام جديدة ويتيح لك توسيع المواءمات الحركية (عند الإقلاع والهبوط وفي أثناء الطيران) لبربرعية الخانق TCA Quadrant Airbus Edition.

1. اقلب كل الأجهزة على وجهها، ثم باستخدام مفك براغي ملانم لشكل الرأس (غير مُضمّن) اربط قطع الربط الأربع المُضمّنة مع بربرعية الخانق TCA Quadrant Airbus Edition ووحدات TCA Quadrant Add-On Airbus Edition، وذلك لإحكام تثبيت كل شيء مع بعضه.
2. وصل وحدة مكبح السرعة على الجهة اليسرى لبربرعية الخانق TCA Quadrant Airbus Edition ووحدة القلابات على الجهة اليمنى باستخدام كابلي SATA المُضمّنين مع وحدتي TCA Quadrant Add-On Airbus Edition.





- لتجنّب تعرّض المنتجات للتلف، استخدم مفكًا ملائمًا لشكل الرأس (غير مُضمّن) لربط/فك البراغي.
- استخدم فقط الكابلات الرسمية المقدمة من Thrustmaster: سيبيح لك ذلك تحديث البرامج الثابتة لربعية الخائق TCA Quadrant Airbus Edition عند الضرورة.
- لا تضع ربعية الخائق TCA Quadrant Airbus Edition مع أي من وحدات TCA Quadrant Add-On Airbus Edition في وضع معلق بالقرب من أو قبالة حافة طاولة أو مكتب.

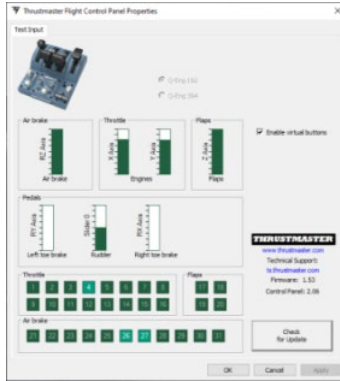
## التثبيت على أجهزة الكمبيوتر

1. يُرجى زيارة الموقع الإلكتروني <https://support.thrustmaster.com>. انقر فوق **Joysticks** (أذرع التحكم) / **TCA Quadrant Airbus Edition** (أو **TCA Quadrant Add-On Airbus Edition**)، ثم حدد **Drivers** (برامج التشغيل). وقم بتنزيل وتثبيت برنامج التشغيل الخاص بأجهزة الكمبيوتر وواجهته المخصصة للوحة التحكم في نظام التشغيل Windows.
2. بمجرد تثبيت برنامج التشغيل الخاص بأجهزة الكمبيوتر، قم بتوصيل موصل USB الخاص برابعة الخانق **TCA Quadrant Airbus Edition** في أحد منافذ USB الموجودة في جهاز الكمبيوتر.
3. للوصول إلى لوحة التحكم، انقر فوق بدء / التطبيقات / **Thrustmaster** / لوحة التحكم (في أنظمة التشغيل Windows® 10 / 8.1 / 8).

سيظهر مربع الحوار وحدات التحكم بالألعاب.

يظهر الملحق على الشاشة باسم **TCA Q-Eng 1&2** (أو **TCA Q-Eng 3&4**). حسب وضع مفتاح الاختيار الخاص بالمحركات [5] على رابعة الخانق (**TCA Quadrant Airbus Edition**)، وحالة الزر **OK** (موافق).

4. في مربع الحوار وحدات التحكم بالألعاب، انقر فوق الخصائص لعرض كل الميزات واختبارها، بما فيها تلك المتعلقة بوحدات **TCA Quadrant Add-On Airbus Edition**.



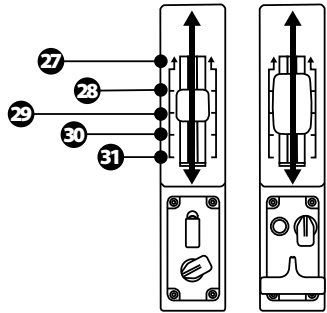
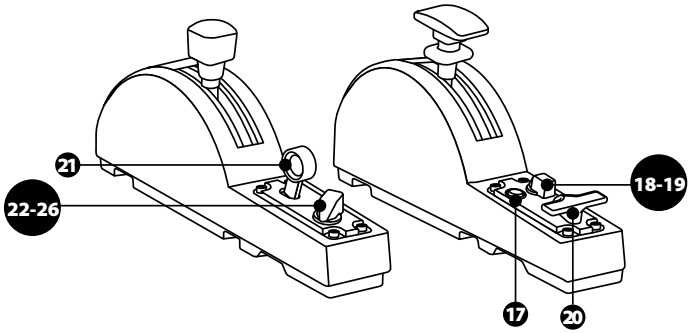
**Enable virtual buttons** (تمكين الأزرار الافتراضية): يتيح لك هذه الميزة تمكين أو تعطيل الأزرار الافتراضية الموجودة على المحاور لرابعة الخانق ووحدة مكبح السرعة. انقر فوق **Apply** (تطبيق) بعدما تحدد الوضع الذي ترغب في استخدامه.

أنت الآن جاهز للعب!

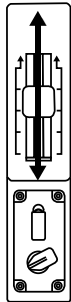
- لاستخدام وحدات **TCA Quadrant Add-On Airbus Edition**، يجب أن تتوفر لديك رابعة **TCA Quadrant Airbus Edition** (تباع منفصلة).
- قم بزيارة الموقع الإلكتروني <https://support.thrustmaster.com> لتنزيل الحزمة التي تحتوي على برامج التشغيل والتي تتيح لك تحديث البرامج الثابتة الخاصة بالمنتج، وتمنحك تحكماً أكثر تفصيلاً لميزات الوحدة.



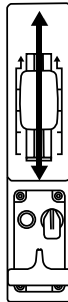
TCA QUADRANT ADD- تخطيط الأزرار الخمسة عشر والمحورين لوحات  
ON AIRBUS EDITION



0  
ZR  
65536



0  
Z  
65536

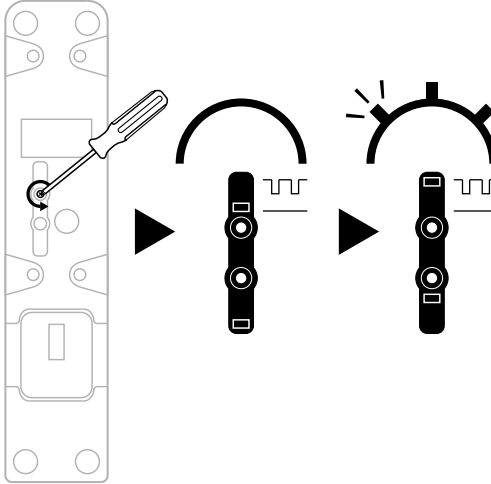


## TCA QUADRANT ADD-ON إجراء تعديلات على المحاور في وحدات AIRBUS EDITION

تمتاز وحدات TCA Quadrant Add-On Airbus Edition بمفاتيح اختيار ميكانيكية والتي تتيح لك تعطيل الحابسات/السنون على كل محور. ويتيح لك هذا الحصول على محاور سلسة مع استمرار استخدام الأزرار الافتراضية من 27 إلى 31 على وحدة مكبح السرعة.

يتيح لك هذا الخيار تغيير درجات حساسية التوجيه حسب نوع الطائرة المستخدمة في المحاكاة (سواء أكانت الطائرة تجارية أم مدنية).

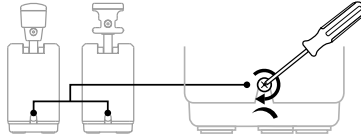
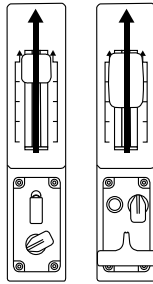
1. اقلب وحدات TCA Quadrant Add-On Airbus Edition على وجهها، وقم بفك البرغيين المقابلين لكل مفتاح اختيار وذلك باستخدام مفك ملائم لشكل الرأس (غير مُضمّن).
2. بذل وضع مفاتيح الاختيار مستخدماً المؤشرات كدليل: سيتيح لك هذا اختبار محورًا سلس الحركة أو محورًا محدّد الحركة بالحابسات/السنون لكل محور على وحدات TCA Quadrant Add-On Airbus Edition .



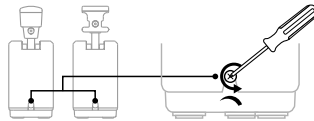
## ضبط الاحتكاك

### ملحوظات مهمة:

- الاحتكاك على وحدات TCA Quadrant Add-On Airbus Edition يكون مضبوطاً على 50% بشكل افتراضي.
  - للسماح بالضبط الدقيق حسب تفضيلاتك، يمكنك استخدام مفك ملائم لشكل الرأس (غير مُضمّن) — أو عارضة التوصيل المُضمّنة مع ربعية الخانق TCA Quadrant Airbus Edition — لتدوير برغي ضبط الاحتكاك.
1. ادفع كلا ذراعي وحدتي TCA Quadrant Add-On Airbus Edition إلى الأمام حتى قيمتهما القصوى، وبعد ذلك، ستمكن من الوصول إلى برغي ضبط الاحتكاك في الجانب الخلفي لكل وحدة.
  2. لزيادة الاحتكاك، أدر برغي ضبط الاحتكاك باتجاه حركة عقارب الساعة.



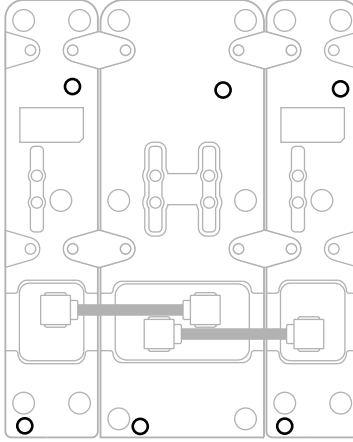
3. لتقليل الاحتكاك، أدر برغي ضبط الاحتكاك عكس اتجاه حركة عقارب الساعة.



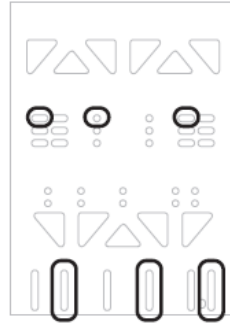
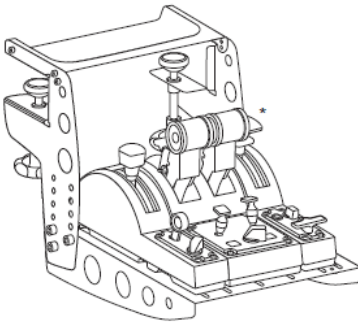
- لتجنّب تعرّض نظام الاحتكاك للتلف، احرص على عدم المبالغة في ربط برغي الضبط: توقف عن تدوير البرغيين عندما تشعر بوجود مقاومة.
- تجنّب نهائياً فك برغي الضبط بالكامل، وذلك لتجنّب سقوط البرغيين داخل هيكل أي من وحدتي TCA Quadrant Add-On Airbus Edition .

تركيب ربعية الخانق \*TCA QUADRANT AIRBUS EDITION و وحدات  
 TCA QUADRANT ADD-ON AIRBUS EDITION في مشبك TM  
 \*FLYING CLAMP أو قمرة قيادة\* أو على سطح ثابت آخر  
 \*شُباع منفصلة

يمكنك استخدام الثقوب الستة الموجودة بالجانب السفلي لربعية الخانق TCA Quadrant Airbus Edition، عند توصيلها بوحدات TCA Quadrant Add-On Airbus Edition، لتركيب كل الأجهزة على سطح ثابت، وذلك باستخدام براغي M6 (غير مُضمَّنة).



مخطط التركيب لمشبك TM Flying Clamp (\*شُباع منفصلاً):



## برنامج البرمجة المتقدمة T.A.R.G.E.T (Thrustmaster Advanced pROgramming Graphical EdiTor)

يُرجى زيارة الموقع الإلكتروني <https://support.thrustmaster.com> انقر فوق Joysticks (أذرع التحكم) / TCA Quadrant Airbus Edition (أو TCA Quadrant Add-On Airbus Edition)، ثم حدد Software (البرامج). وقم بتنزيل برنامج البرمجة المتقدمة T.A.R.G.E.T وتثبيته. الميزات الرئيسية لبرنامج البرمجة المتقدمة T.A.R.G.E.T:

- تكوينات ممكنة مختلفة للمحاور.
- مستويات برمجة ممكنة مختلفة: Basic (أساسي) وAdvanced (متقدم) وScript (نصي).
- استخدام مبدأ السحب والإفلات.
- إمكانية دمج ريعية الخانق TCA Quadrant Airbus Edition مع أذرع تحكم Thrustmaster متنوعة (HOTAS Cougar، HOTAS Warthog، وT.16000M، وMFD Cougar Pack، علماً بأنّ هذه الأذرع جميعها متوافقة أيضاً مع برنامج البرمجة المتقدمة T.A.R.G.E.T)، وهو ما يسمح بالتعرف عليها كجهاز USB واحد.
- الوصول إلى ملفات التعريف المتقدمة التي يتم إنشاؤها بواسطة مجتمع Thrustmaster.





قم بزيارة الموقع الإلكتروني <https://support.thrustmaster.com> لتنزيل الحزمة التي تحتوي على برامج التشغيل والتي تتيح لك تحديث البرامج الثابتة الخاصة بالمنتج، وتمنحك تحكمًا أكثر تفصيلاً لميزات الوحدة.

- وحدات TCA Quadrant Add-On Airbus Edition لا تعمل بشكل صحيح، أو يبدو أنها تمت معايرتها بطريقة غير صحيحة، عند توصيلها برابعة الخائق TCA Quadrant Airbus Edition.
  - قم بزيارة الموقع الإلكتروني <https://support.thrustmaster.com> للتحقق من توفر إصدار أحدث للبرامج الثابتة: في حالة توفر إصدار أحدث، اتبع الإرشادات لتنزيله وتثبيته.
  - أوقف تشغيل جهاز الكمبيوتر، وافصل موصل USB لرابعة الخائق TCA Quadrant Airbus Edition. تأكد من توصيل كلا كابلي SATA بالأجهزة بشكل صحيح.
  - أوقف تشغيل جهاز الكمبيوتر، وافصل موصل USB لرابعة الخائق TCA Quadrant Airbus Edition. وبعد ذلك، أعد توصيل موصل USB، وقم بتشغيل جهاز الكمبيوتر مرة أخرى، ثم أعد تشغيل اللعبة.
  - عند توصيل موصل USB لرابعة الخائق TCA Quadrant Airbus Edition، اترك محور الموجه في المنتصف دائماً إذا كنت تستخدم نظام التوجيه TFRP (يُباع منفصلاً): لا تضع قدميك نهائياً على دواسات نظام التوجيه TFRP عند التوصيل.
- لا أستطيع تكوين وحدات TCA Quadrant Add-On Airbus Edition مع رابعة الخائق TCA Quadrant Airbus Edition.
  - في القائمة Options (الخيارات) / Controller (وحدة التحكم) / Gamepad (لوحة الألعاب) أو Joystick (عصا التحكم) بلمبيتك، حدد التكوين المناسب، أو أعد تكوين خيارات وحدة التحكم بالكامل.
  - قم بزيارة الموقع الإلكتروني <https://support.thrustmaster.com> للتحقق من توفر إصدار أحدث للبرامج الثابتة: في حالة توفر إصدار أحدث، اتبع الإرشادات لتنزيله وتثبيته.
  - للحصول على مزيد من المعلومات، يُرجى الرجوع إلى دليل المستخدم أو قسم المساعدة عبر الإنترنت الخاص باللعبة.
  - يمكنك أيضاً استخدام برنامج البرمجة المتقدمة T.A.R.G.E.T (Thrustmaster Advanced pRogramming Graphical EdiTor).
- وحدات TCA Quadrant Add-On Airbus Edition حساسة أكثر مما ينبغي أو غير حساسة بشكل كافٍ.
  - تقوم محاور وحدات TCA Quadrant Add-On Airbus Edition بالمعايرة الذاتية تلقائياً بعد حركات قليلة، وبعد الوصول إلى نقاط التوقف الحقيقية للمحاور.
  - في القائمة Options (الخيارات) / Controller (وحدة التحكم) / Gamepad (لوحة الألعاب) أو Joystick (عصا التحكم) بلمبيتك: اضبط الحساسية والمناطق الهامدة لوحدة التحكم الخاصة بك (إذا كانت هذه الخيارات متاحة).
  - يمكنك أيضاً استخدام برنامج البرمجة المتقدمة T.A.R.G.E.T (Thrustmaster Advanced pRogramming Graphical EdiTor).



هذه الأجهزة مصممة للاستخدام في أغراض الألعاب الترفيهية فقط. ويُحظر تمامًا استخدام هذه الأجهزة لأغراض أنشطة التدريب المهني.

## ضمان المستهلك

تضمن شركة Guillemot Corporation S.A، العالمية (المشار إليها فيما بعد باسم "Guillemot") ومقرها الرئيسي في Place du Granier, B.P. 97143, 35571 Chantepie, France، للمستهلك أن يكون منتج Thrustmaster هذا خاليًا من عيوب المواد وعيوب التصنيع، طوال مدة فترة الضمان التي تتوافق مع الفترة المحددة التي يمكن خلالها المطالبة بالمطابقة لاسترداد قيمة هذا المنتج أو استبداله. في دول الاتحاد الأوروبي، يسري هذا لمدة (2) عامين من تاريخ استلام المنتج Thrustmaster. وفي دول أخرى، تتوافق فترة الضمان مع الفترة المحددة للمطالبة بمطابقة المنتج Thrustmaster وفقًا للوائح المعمول بها في الدولة التي كان يقطن بها المستهلك عند تاريخ شراء المنتج Thrustmaster (في حالة عدم المطالبة في الدولة المعنية، ستكون فترة الضمان عام (1) واحد من تاريخ الشراء الأصلي للمنتج Thrustmaster).

مع عدم الإخلال بما تقدم، يشمل الضمان البطاريات القابلة لإعادة الشحن لمدة ستة (6) أشهر من تاريخ البيع الأصلي. وإذا ظهر أن المنتج معييبًا خلال فترة الضمان، فاتصل على الفور بالدعم الفني الذي سيرشدك إلى الإجراءات التي يجب أن تتبناها. وإذا تم التأكد من وجود العيب، فيجب إعادة المنتج إلى مكان شراؤه (أو أي موقع آخر يشير إليه الدعم الفني). وفي سياق هذا الضمان، يجب استبدال المنتج المعيب الخاص بالمستهلك أو إصلاحه، وذلك حسب اختيار الدعم الفني. إذا خضع منتج Thrustmaster، في خلال فترة الضمان، لأي عملية إصلاح، فإن أي فترة يكون المنتج خلالها خارج الخدمة وبعدها أدنى سبعة (7) أيام سوف تضاف إلى فترة الضمان المتبقية (تبدأ هذه الفترة من تاريخ طلب العميل للتدخل أو من تاريخ تقديم المنتج المذكور للإصلاح، إذا كان تاريخ تقديم المنتج للإصلاح لاحقًا لتاريخ طلب التدخل). تقتصر المسؤولية الكاملة لشركة Guillemot وفروعها (بما في ذلك الأضرار التبعية) على إصلاح المنتج Thrustmaster أو استبداله، وذلك عندما يكون هذا جائزًا بموجب القانون الساري. تخلي شركة Guillemot مسؤوليتها عن أي ضمانات خاصة بالتجارة أو الملاءمة لغرض معين، وذلك عندما يكون هذا جائزًا بموجب القانون الساري.

لا يسري هذا الضمان: (1) إذا تم تعديل المنتج أو فتحه أو تغييره أو إذا تعرض للتلف نتيجة للاستخدام السببي أو غير الملائم أو الإهمال أو حادث أو الإهلاك نتيجة الاستعمال العادي، أو أي سبب آخر لا يرتبط بوجود عيب في المواد أو التصنيع (بما في ذلك، على سبيل المثال لا الحصر، تجميع منتج Thrustmaster بواسطة أي عنصر غير مناسب، بما في ذلك على وجه الخصوص وحدات الإمداد بالطاقة أو البطاريات القابلة لإعادة الشحن أو الشواحن أو أي عناصر أخرى لا يتم توريدها من خلال Guillemot لهذا المنتج)؛ (2) إذا استخدم المنتج لأي غرض آخر بخلاف الاستخدام المنزلي، بما في ذلك الأغراض المهنية أو التجارية (غرف الألعاب أو التدريب أو المسابقات على سبيل المثال)؛ (3) في حالة عدم الالتزام بالتعليمات المقدمة من قبل الدعم الفني؛ (4) على البرامج، حيث تخضع هذه البرامج لضمان محدد؛ (5) على العناصر الاستهلاكية (العناصر التي يتم استهلاكها خلال فترة عمر المنتج: كالبطاريات غير القابلة لإعادة الاستخدام أو سماعات الرأس أو وسادات الأذن الخاصة بسماعة الرأس)؛ (6) الملحقات (كالكابلات والعلب والحافظات والحقائب وأربطة المعصم)؛ (7) إذا تم بيع المنتج في مزاد علني.

هذا الضمان غير قابل للتحويل.

لا يؤثر هذا الضمان على الحقوق القانونية للمستهلك بمقتضى القوانين المطبقة على بيع السلع الاستهلاكية في بلده/بلدها.

## شروط الضمان الأخرى

خلال فترة الضمان، لن توفر Guillemot، من حيث المبدأ، أي قطع غيار، حيث أن الدعم الفني هو الطرف الوحيد المخول بفتح و/أو إصلاح أي منتج من Thrustmaster (باستثناء أي إجراءات إصلاح يطلب الدعم الفني إجراؤها بواسطة العميل، عن طريق تعليمات مكتوبة – على سبيل المثال، نظرًا لبساطة عملة الإصلاح وعدم سربيتها – وتزويد العميل بقطعة (قطع) الغيار المطلوبة، حيثما أمكن ذلك).

لمقتضى المجالات الإبداعية ولحماية أسرار المعرفة الفنية والأسرار التجارية، لن توفر Guillemot، من حيث المبدأ، أي إشعارات للإصلاح أو قطع غيار لأي منتج Thrustmaster انتهت فترة الضمان الخاصة به.

في الولايات المتحدة الأمريكية وكندا، يقتصر هذا الضمان على الآلية الداخلية للمنتج والغطاء الخارجي له. لا تتحمل شركة Guillemot أو شركاتها التابعة بأي حال من الأحوال مسؤولية أي جهة أخرى عن أي أضرار تبعية أو عرضية ناتجة عن خرق للضمانات الصريحة أو الضمنية. لا تسمح بعض الولايات/المقاطعات بتحديد مدة الضمان الضمني أو الاستثناء أو تحديد المسؤولية عن الأضرار التبعية أو العرضية، ولذلك فقد لا تسري عليك الحدود أو الاستثناءات الواردة أعلاه. يمنحك هذا الضمان حقوقًا قانونية معينة، وقد تتمتع أيضًا بحقوق أخرى تختلف من ولاية لأخرى أو من مقاطعة لأخرى.

## المسؤولية

تخلي شركة Guillemot Corporation S.A. (المشار إليها فيما بعد باسم "Guillemot") وفروعها ومسؤوليتها كاملة عن أي أضرار تنتج عن حالة أو أكثر من الحالات التالية، إذا كان هذا جائزًا بموجب القانون الساري: (1) تعديل المنتج أو فتحه أو تغييره؛ (2) عدم الالتزام بتعليمات المجموعة؛ (3) الاستخدام السيئ أو غير الملائم أو الإهمال أو التعرض لحادث (تصادم، على سبيل المثال)؛ (4) الإهلاك الناتج عن الاستعمال العادي؛ (5) إذا استخدم المنتج لأي غرض آخر بخلاف الاستخدام المنزلي، بما في ذلك الأغراض المهنية أو التجارية (غرف الألعاب أو التدريب أو المسابقات على سبيل المثال). تخلي شركة Guillemot وفروعها كافة مسؤوليتها عن أي أضرار لا ترتبط بعبء في المواد أو التصنيع يتعلق بالمنتج (متضمنًا، على سبيل المثال لا الحصر، أي أضرار تحدث بشكل مباشر أو غير مباشر بسبب أي برنامج أو عن طريق دمج منتج Thrustmaster مع أي عنصر غير مناسب، بما في ذلك على وجه الخصوص وحدات الإمداد بالطاقة أو البطاريات القابلة لإعادة الشحن أو الشواحن أو أي عناصر أخرى لا يتم توريدها من خلال Guillemot لهذا المنتج)، إذا كان هذا جائزًا بموجب القانون الساري.

# THRUSTMASTER®

## الدعم الفني

<https://support.thrustmaster.com>





## حقوق النشر

تجارية مسجلة لشركة Guillemot Corporation S.A. © جميع الحقوق محفوظة. Thrustmaster® هي علامة Airbus وشعارها ومنتجها وعلامات خدماتها هي علامات تجارية مسجلة باسم شركة Airbus. جميع الحقوق محفوظة. حقوق التأليف والنشر © لعام 2020 مملوكة لشركة Airbus. جميع الحقوق محفوظة. منتج مرخص رسمياً من شركة Airbus. كافة العلامات التجارية الأخرى مملوكة لأصحابها المعنيين. الرسوم التوضيحية غير ملزمة. وتخضع المحتويات والتصميمات والمواصفات للتغيير دون إشعار وقد تختلف من بلد إلى آخر. صنع في الصين.

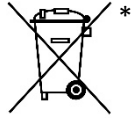
## توصيات الحماية البيئية

في الاتحاد الأوروبي: عند انتهاء صلاحية المنتج، يجب عدم التخلص منه مع النفايات المنزلية العادية، لكن يوضع في نقطة تجميع خاصة بالتخلص من نفايات المعدات الكهربائية والإلكترونية (WEEE).

ويؤكد ذلك الرمز الموجود على المنتج أو دليل المستخدم أو الغلاف. يمكن إعادة تدوير المواد، على حسب خصائصها. من خلال إعادة التدوير والأشكال الأخرى لمعالجة نفايات المعدات الكهربائية والإلكترونية، يمكنك المشاركة بفعالية في المساعدة على حماية البيئة.

يرجى الاتصال بالسلطات المحلية لديك للحصول على معلومات حول نقطة التجميع الأقرب إليك.

بالنسبة لكافة البلدان الأخرى: يرجى الالتزام بقوانين إعادة التدوير المحلية الخاصة بالمعدات الكهربائية والإلكترونية.



احتفظ بهذه المعلومات. قد تختلف الألوان والزخارف.

يجب إزالة المواد المثبتة واللاصقة من المنتج قبل استخدامه.

هذا المنتج متوافق مع كافة المعايير المتعلقة بالأطفال من سن 14 عامًا وأكثر. هذا المنتج غير مناسب للاستخدام بواسطة الأطفال أقل من 14 سنة.

[www.thrustmaster.com](http://www.thrustmaster.com)

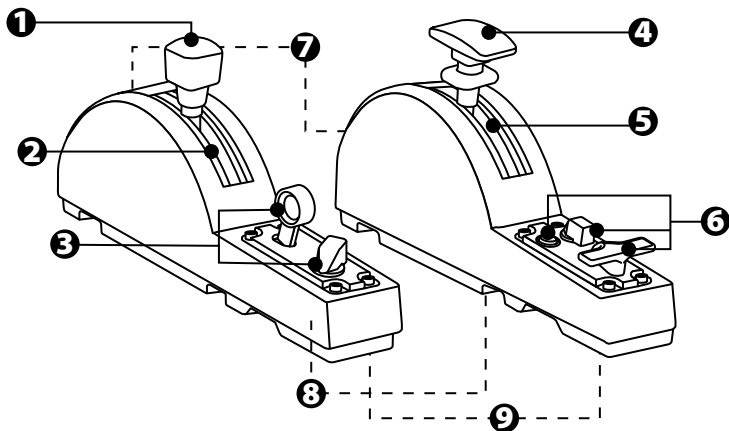
\*ينطبق على الاتحاد الأوروبي وتركيا فقط

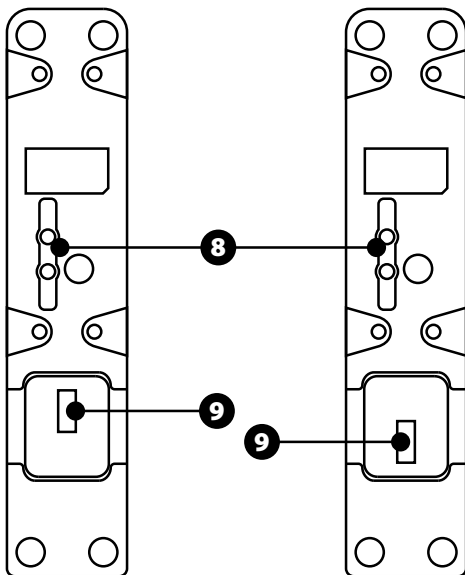


# TCA QUADRANT ADD-ON AIRBUS EDITION

Bruksanvisning

## TEKNISKA DELAR

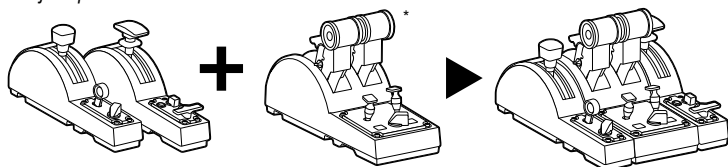




- |  |  |
|--|--|
| 1. Luftbromsaxel                                 | 6. Fyra actionknappar  |
| 2. Fyra spärrar på axeln + fem virtuella knappar | 7. Friktionsskruv på varje modul                                   |
| 3. Sex actionknappar                             | 8. Mekanism för inaktivering/aktivering av spärrarna på varje axel |
| 4. Vingklaffsaxel                                | 9. SATA-kontakter för TCA Quadrant Airbus Edition (säljs separat)  |
| 5. Fyra spärrar på axeln                         |  |

## ANSLUTA TCA QUADRANT ADD-ON AIRBUS EDITION-MODULERNA TILL TCA QUADRANT AIRBUS EDITION\*

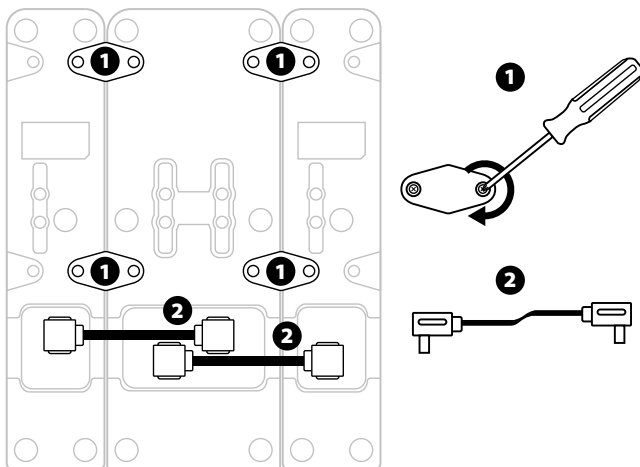
\*Säljs separat

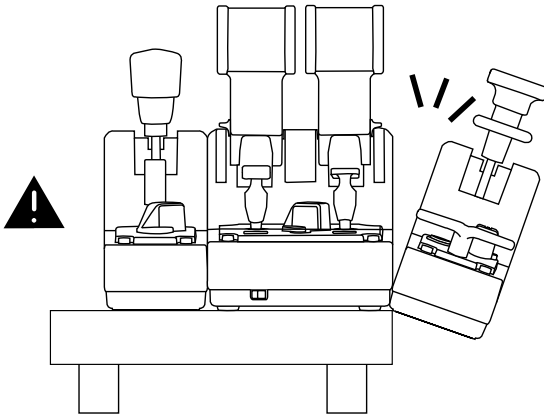
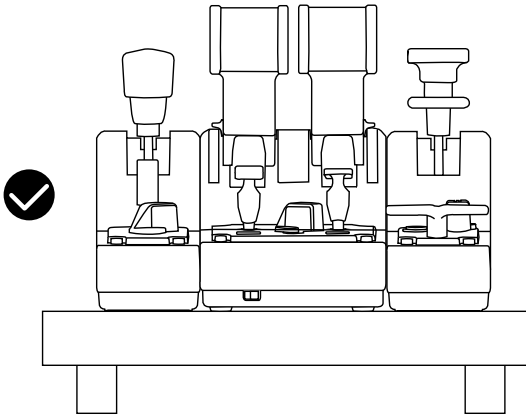


För att använda TCA Quadrant Add-On Airbus Edition-modulerna måste du ha en TCA Quadrant Airbus Edition (säljs separat). TCA Quadrant Add-On Airbus Edition-modulerna är en förlängning av gasreglagekvadranten TCA Quadrant Airbus Edition och fungerar endast när de är anslutna till båda sidorna av TCA Quadrant Airbus Edition.

Denna modularitet lägger till nya axlar och actionknappar och gör att du kan utvidga kinematiken (lyfta, flyga och landa) för TCA Quadrant Airbus Edition.

1. Vänd upp och ner på alla enheter och använd en skruvmejsel med rätt huvudform (ingår ej) för att sammankoppla dem genom att skruva på de fyra länkkontakterna som medföljer TCA Quadrant Airbus Edition och TCA Quadrant Add-On Airbus Edition-modulerna.
2. Använd SATA-kablarna som medföljer TCA Quadrant Add-On Airbus Edition för att ansluta luftbromsmodulen till vänster om TCA Quadrant Airbus Edition och vingklaffsmodulen till höger.





- För att undvika att skada produkterna ska en skruvmejsel med rätt huvudform (ingår ej) användas när du skruvar i eller skruvar loss skruvarna.
- Använd endast de officiella kablar du fått av Thrustmaster: det gör att du kan uppdatera firmwaren för TCA Quadrant Airbus Edition vid behov.
- Ställ aldrig TCA Quadrant Airbus Edition i en position där någon av TCA Quadrant Add-On Airbus Edition-modulerna hänger nära eller utanför kanten av ett bord eller skrivbord.

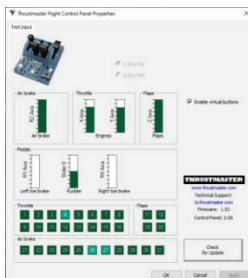
# INSTALLATION PÅ PC

1. Gå till <https://support.thrustmaster.com>. Klicka på **Joystickar / TCA Quadrant Airbus Edition** (eller **TCA Quadrant Add-On Airbus Edition**), och välj **Drivrutiner**. Ladda ner och installera PC-drivrutinen och dess anpassade gränssnitt för Kontrollpanelen i Windows.
2. När PC-drivrutinen har installerats ansluter du TCA Quadrant Airbus Editions USB-kontakt till någon av USB-portarna på din PC.
3. Öppna Kontrollpanelen genom att klicka på **Start / Appar / Thrustmaster / Kontrollpanelen** (i Windows® 10 / 8.1 / 8).

Dialogrutan **Spelkontroller** visas.

Tillbehöret visas på skärmen under namnet **TCA Q-Eng 1&2** (eller **TCA Q-Eng 3&4**, beroende på motorväxlingsknappens position [5] på TCA Quadrant Airbus Edition), tillsammans med statusen **OK**.

4. Klicka på **Egenskaper** i dialogrutan **Spelkontroller** för att testa och visa alla funktioner, inklusive funktioner relaterade till TCA Quadrant Add-On Airbus Edition-modulerna.



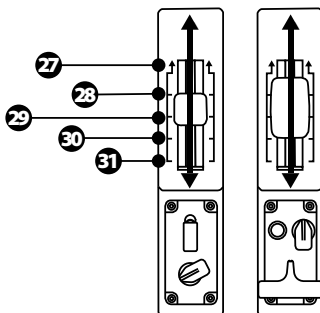
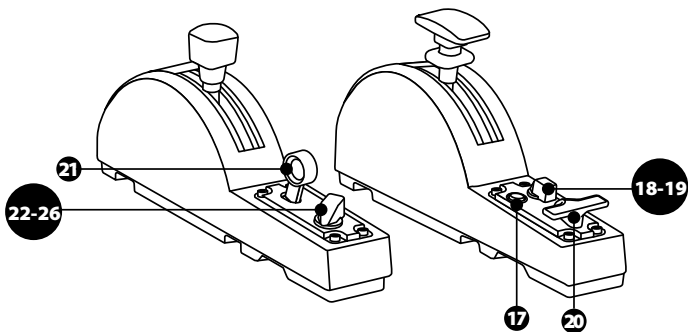
**Enable virtual buttons (Aktivera virtuella knappar):** Med denna funktion kan du aktivera och inaktivera de virtuella knapparna på gasreglagekvadrantens och luftbromsmodulens axlar. Klicka på **Apply (Verkställ)** när du har valt vilket läge du vill använda.

**Nu är du redo att spela!**

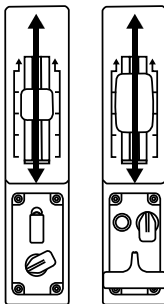


- För att använda TCA Quadrant Add-On Airbus Edition-modulerna måste du ha en TCA Quadrant Airbus Edition (sågs separat).
- Gå till <https://support.thrustmaster.com> för att ladda ner paketet med drivrutiner som gör att du kan uppdatera produktens firmware och ger dig mer kontroll över produktens funktioner.

# MAPPNING AV TCA QUADRANT ADD-ON AIRBUS EDITION- MODULERNAS 15 KNAPPAR OCH TVÅ AXLAR



0 up  
ZR  
65536 down



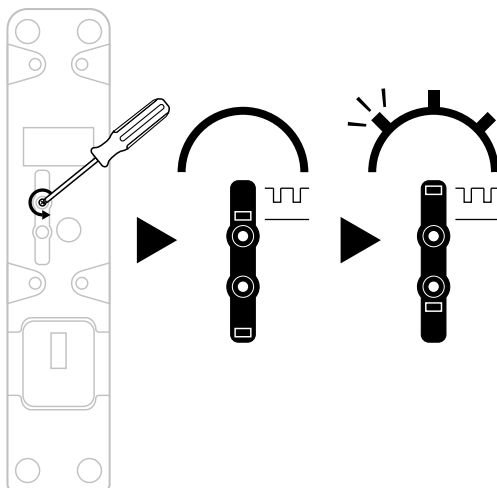
0 up  
Z  
65536 down

## ÄNDRA PÅ TCA QUADRANT ADD-ON AIRBUS EDITION-MODULERNAS AXLAR

TCA Quadrant Add-On Airbus Edition-modulerna är utrustade med mekaniska växlingsknappar som gör att du kan inaktivera spärrarna/stegen på varje axel. Gör du det får du mjuka axlar samtidigt som du har tillgång till de virtuella knapparna 27 till 31 på luftbromsmodulen.

Med detta alternativ kan du ändra känslan av att styra flygplanet beroende på vilket flygplan som används i simulationen (kommersiella eller civila flygplan).

1. Vänd upp och ner på TCA Quadrant Add-On Airbus Edition-modulerna och använd en skruvmejsel med rätt huvudform (ingår ej) för att skruva loss de två skruvarna för var och en av växlingsknapparna.
2. Använd indikatorerna som guide och byt position på växlingsknapparna: nu kan du välja att ha antingen en mjuk axel eller en axel med spärrar/steg för varje axel på TCA Quadrant Add-On Airbus Edition-modulerna.



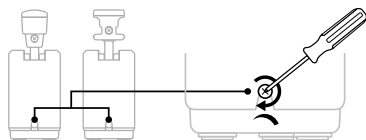
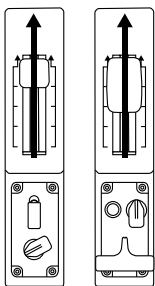


# JUSTERA FRIKTIONEN

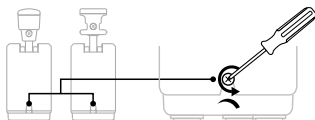
## VIKTIG INFORMATION:

- Friktionen på TCA Quadrant Add-On Airbus Edition-modulerna är satt till 50 % som standard.
- För att justera friktionen så den passar dig kan du använda en skruvmejsel med rätt huvudform (ingår ej) — eller anslutningsstängens som medföljer TCA Quadrant Airbus Edition — för att vrida på friktionsskruvarna.

1. Tryck fram båda TCA Quadrant Add-On Airbus Edition-modulernas spakarså långt det går och leta upp friktionsskruven på baksidan av varje modul.
2. Vrid friktionsskruven medsols för att öka friktionen.



3. Vrid friktionsskruven motsols för att minska friktionen.

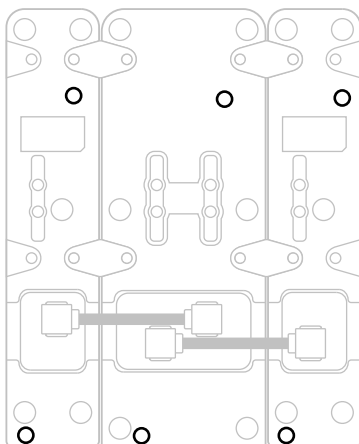


- Var försiktig så du inte drar åt friktionsskruvarna för mycket. Sluta skruva när du känner av motstånd, annars kan friktionssystemet skadas.
- Skruva aldrig loss friktionsskruvarna helt och hållet då de kan falla ner i någon av TCA Quadrant Add-On Airbus Edition-modulerna.

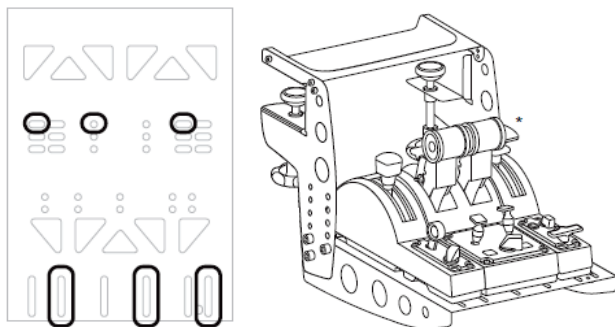
# MONTERA TCA QUADRANT AIRBUS EDITION\* OCH TCA QUADRANT ADD-ON AIRBUS EDITION-MODULERNA TILL TM FLYING CLAMP\*, EN COCKPIT\* ELLER NÅGON ANNAN FAST YTA

\*Säljs separat

När den är ansluten till TCA Quadrant Add-On Airbus Edition-modulerna kan du använda de sex hålen på undersidan av TCA Quadrant Airbus Edition för att montera alla enheterna på en fast yta med hjälp av M6-skrivar (ingårej).



Monteringsdiagram för TM Flying Clamp\* (\*säljs separat):



# AVANCERADE PROGRAMMERINGSPROGRAMMET

## T.A.R.G.E.T

(Thrustmaster Advanced pRogramming Graphical EdiTor)

Gå till <https://support.thrustmaster.com>. Klicka på **Joysticks / TCA Quadrant Airbus Edition** (eller **TCA Quadrant Add-On Airbus Edition**), och välj **Programvara**. Ladda ner och installera det avancerade programmeringsprogrammet T.A.R.G.E.T.

T.A.R.G.E.T - Huvudfunktioner:

- Olika möjliga konfigurationer för axlarna.
- Olika möjliga programmeringsnivåer: Basic, Advanced och Script.
- Använder sig av dra och släpp-principen.
- Möjligt att kombinera gasreglagekvadranten TCA Quadrant Airbus Edition med olika joystickar från Thrustmaster (HOTAS Cougar, HOTAS Warthog, T.16000M, MFD Cougar Pack - alla dessa är även kompatibla med T.A.R.G.E.T) så att de kan kännas igen som en enda USB-enhet.
- Tillgång till avancerade profiler som skapats av Thrustmasters community.



## FELSÖKNING OCH VARNINGAR



Gå till <https://support.thrustmaster.com> för att ladda ner paketet med drivrutiner som gör att du kan uppdatera produktens firmware och ger dig mer kontroll över produktens funktioner.

- **Mina TCA Quadrant Add-On Airbus Edition-moduler fungerar inte som de ska eller verkar vara felkalibrerade när de är anslutna till TCA Quadrant Airbus Edition.**
  - Gå till <https://support.thrustmaster.com> och kolla om det finns någon nyare firmwareversion: följ i så fall instruktionerna för att ladda ner och installera den.
  - Stäng av datorn och dra ut gasreglagekvadranten TCA Quadrant Airbus Editions USB-kontakt. Kontrollera att båda SATA-kablarna är rätt anslutna till enheterna.
  - Stäng av datorn och dra ut gasreglagekvadranten TCA Quadrant Airbus Editions USB-kontakt. Anslut sedan USB-kontakten igen, slå på datorn, och starta om spelet.
  - När du ansluter gasreglagekvadranten TCA Quadrant Airbus Editions USB-kontakt ska roderaxeln alltid vara centrerad om du använder rodersystemet TFRP (säljs separat): ha aldrig fötterna på rodersystemet TFRP:s pedaler när du gör detta.
- **Jag kan inte konfigurera mina TCA Quadrant Add-On Airbus Edition-moduler med min TCA Quadrant Airbus Edition-gasreglagekvadrant**
  - Gå till Options / Controller / Gamepad eller Joystick-meny i ditt spel och välj lämplig konfiguration eller konfigurera om kontrollerns alternativ helt och hållet.
  - Gå till <https://support.thrustmaster.com> och kolla om det finns någon nyare firmwareversion: följ i så fall instruktionerna för att ladda ner och installera den.
  - Se spelets bruksanvisning eller onlinehjälp för mer information.
  - Du kan även använda det avancerade programmeringsprogrammet T.A.R.G.E.T (Thrustmaster Advanced pRogramming Graphical Editör).
- **Mina TCA Quadrant Add-On Airbus Edition-moduler är för känsliga eller inte tillräckligt känsliga.**
  - TCA Quadrant Add-On Airbus Edition-modulernas axlar kalibrerar sig automatiskt efter några rörelser och efter att ha nått de fysiska stoppen för axlarna.
  - Gå till Options / Controller / Gamepad eller Joystick-meny i ditt spel och justera känsligheten och dödzonerna för din kontroll (om dessa alternativ finns).
  - Du kan även använda det avancerade programmeringsprogrammet T.A.R.G.E.T (Thrustmaster Advanced pRogramming Graphical Editör).



Dessa enheter är endast avsedda att användas för underhållning i spel. Det är strängt förbjudet att använda enheterna som professionella träningsredskap.

## **GARANTIINFORMATION**

Guillemot Corporation S.A., med säte i Place du Granier, B.P. 97143, 35571 Chantepie, Frankrike (hädanefter "Guillemot") garanterar globalt för konsumenten att denna Thrustmaster-produkt ska vara fri från defekter i material och utförande, under en garantiperiod som motsvarar tidsgränsen för att vidta åtgärder mot Guillemot om konsumenten anser att produkten inte är fri från defekter i material och utförande. I länderna i Europeiska unionen motsvarar detta en period på två (2) år från leveransen av Thrustmaster-produkten. I andra länder motsvarar garantiperioden tidsgränsen för att vidta åtgärder mot Guillemot om konsumenten anser att Thrustmaster-produkten inte är fri från defekter i material och utförande enligt de lagar som gäller i landet där konsumenten var bosatt vid inköpsdatumet för Thrustmaster-produkten (om ingen sådan åtgärd existerar i det motsvarande landet ska garantiperioden vara ett (1) år från ursprungligt inköpsdatum av Thrustmaster-produkten).

Trots ovanstående omfattas laddningsbara batterier av en garantiperiod på sex (6) månader från ursprungligt inköpsdatum.

Om produkten skulle visa sig vara defekt under garantiperioden ska du genast kontakta tekniska supporten som då informerar om hur du går vidare. Om defekten bekräftas måste produkten returneras till inköpsstället (eller annat ställe angivet av tekniska supporten).

Inom ramen för denna garanti ska konsumentens defekta produkt, efter tekniska supportens gottfinnande, antingen ersättas eller repareras så att den fungerar. Om Thrustmaster-produkten under garantiperioden är föremål för sådan renovering, ska alla perioder på minst sju (7) dagar under vilka produkten inte kan användas läggas till återstående garantiperiod (denna period löper från det datum då konsumenten bad om service eller från det datum då produkten ifråga gjorts tillgänglig för reparation, om datumet då produkten gjorts tillgänglig för reparation ligger efter datumet då konsumenten bad om service). Om det är tillåtet enligt gällande lag är Guillemot och dess dotterbolags fulla ansvar (inklusive följdskador) begränsat till att reparera eller ersätta Thrustmaster-produkten. Om det är tillåtet enligt gällande lag fransäger sig Guillemot alla garantier för säljbarhet eller lämplighet för ett visst syfte.

Garantin gäller inte: (1) om produkten har modifierats, öppnats, ändrats eller skadats till följd av olämplig användning eller missbruk, försumlighet, olycka, normalt slitage eller annan orsak som inte är relaterad till material- eller tillverkningsfel (inklusive, men inte begränsat till, att kombinera Thrustmaster-produkten med någon olämplig del, i synnerhet nätaggregat, laddningsbara batterier, laddare, eller andra delar som Guillemot inte tillhandahåller för denna produkt); (2) om produkten har använts för annan användning än hemanvändning, inklusive för professionella eller kommersiella ändamål (t.ex. spelrum, träning, tävlingar); (3) om instruktionerna från teknisk support inte följs; (4) programvara, då programvaran har en egen garanti; (5) förbrukningsvaror (delar som byts ut under produktens livslängd: t.ex. engångsbatterier eller öronkuddar till headset eller hörlurar); (6) tillbehör (t.ex. kablar, fodral, påsar, väskor, handledsremmar); (7) om produkten såldes på e offentlig auktion.

Denna garanti är inte överlåtbar.

Konsumentens juridiska rättigheter med avseende på lagar som gäller för försäljning av konsumentvaror i hans land påverkas inte av denna garanti.

### Ytterligare garantibestämmelser

Under garantiperioden ska Guillemot i princip inte tillhandahålla några reservdelar eftersom teknisk support är den enda part med behörighet att öppna och/eller renovera Thrustmasters produkter (med undantag för renoveringar som teknisk support ber konsumenten att utföra med hjälp av skriftliga instruktioner – till exempel om renoveringen är enkel och ej konfidentiell – och genom att i gällande fall förse konsumenten med de reservdelar som behövs).

Med tanke på dess innovationscykler och för att skydda dess kunskaper och affärshemligheter, ska Guillemot i princip inte tillhandahålla några renoveringsinstruktioner eller reservdelar för någon Thrustmaster-produkt vars garantiperiod har löpt ut.

I USA och Kanada är denna garanti begränsad till produktens interna mekanism och externa hölje. Guillemot eller dess dotterbolag ska under inga omständigheter hållas ansvariga av tredje part vad gäller eventuella följskador eller oförutsedda skador som uppstår till följd av brott mot uttryckliga eller underförstådda garantier. Vissa delstater/provinsar tillåter inte att man begränsar hur länge en underförstådd garanti varar eller att man utesluter eller ansvarsbegränsar följskador eller oförutsedda skador, så ovanstående begränsningar eller utslutningar kanske inte gäller dig. Denna garanti ger dig specifika juridiska rättigheter, och du kan också ha andra rättigheter som varierar från delstat till delstat eller provins till provins.

### Ansvar

Om det är tillåtet enligt gällande lag fransäger sig Guillemot Corporation S.A. (hädanefter "Guillemot") och dess dotterbolag allt ansvar för eventuella skador orsakade av följande: (1) produkten har modifierats, öppnats eller ändrats; (2) underlåtenhet att följa monteringsanvisningarna; (3) olämplig användning eller missbruk, försumlighet, en olycka (t.ex. att produkten tappas); (4) normalt slitage; (5) produkten har använts för annan användning än hemanvändning, inklusive för professionella eller kommersiella ändamål (t.ex. spelrum, träning, tävlingar). Om det är tillåtet enligt gällande lag fransäger sig Guillemot och dess dotterbolag allt ansvar för eventuella skador som inte är relaterade till material- eller tillverkningsfel när det gäller produkten (inklusive, men inte begränsat till, skador som direkt eller indirekt orsakats av någon programvara eller genom att kombinera Thrustmaster-produkten med någon olämplig del, i synnerhet nättaggregat, laddningsbara batterier, laddare, eller andra delar som Guillemot inte tillhandahåller för denna produkt).

**THRUSTMASTER®**

**TEKNISK SUPPORT**

<https://support.thrustmaster.com>



## UPPHOVSRÄTTSSKYDD

© 2020 Guillemot Corporation S.A. Med ensamrätt. Thrustmaster® är ett registrerat varumärke som tillhör Guillemot Corporation S.A. Windows® är ett registrerat varumärke som tillhör Microsoft Corporation i USA och/eller andra länder.

AIRBUS, dess logotyp och produkt- och servicemärken är registrerade varumärken som tillhör Airbus. Med ensamrätt.

© Airbus 2020. Med ensamrätt. Officiellt licensierad av Airbus.

Alla andra varumärken tillhör sina respektive ägare. Illustrationer är inte bindande. Innehåll, konstruktion och specifikationer kan ändras utan föregående meddelande och kan variera från land till land. Tillverkad i Kina. Officiellt licensierad produkt av Department of the Air Force. Vi varken avser eller antyder att amerikanska flygvapnet stödjer produkten.

## MILJÖSKYDD



\* I Europeiska unionen: När produkten har slutat fungera ska den inte slängas i vanligt hushållsavfall, utan kasseras vid en uppsamlingsplats för bortskaffandet av elektriskt och elektroniskt avfall (WEEE) för återvinning.

Detta bekräftas av symbolen på produkten, bruksanvisningen eller förpackningen.

Beroende på dess egenskaper kan materialet kanske återvinnas. Genom återvinning och andra sätt att hantera elektriskt och elektroniskt avfall kan du göra ett viktigt bidrag till att hjälpa till att skydda miljön.

Kontakta dina lokala myndigheter för information om uppsamlingsplatsen som är närmast dig.

För alla andra länder: Följ lokala återvinningslagar för elektriskt och elektroniskt avfall.

Behåll denna information. Färger och dekorationer kan variera.

Plastfästen och lim/klister/tejp bör avlägsnas från produkten innan den används.

Denna produkt överensstämmer med alla normer gällande barn som är 14 år och äldre. Denna produkt är inte lämplig att användas av barn under 14 år.

[www.thrustmaster.com](http://www.thrustmaster.com)

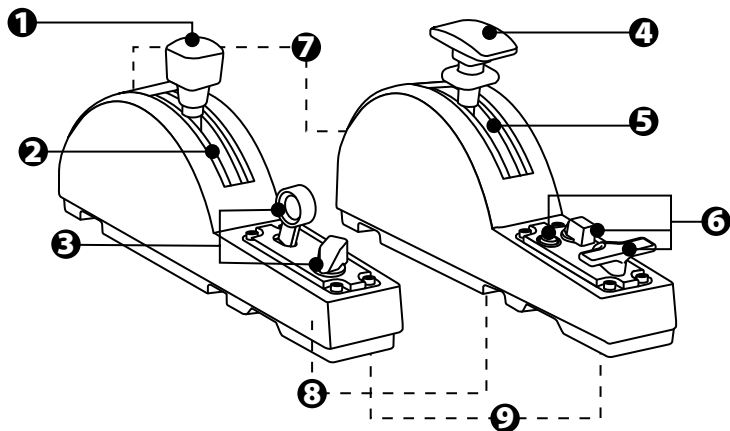
*\*Gäller endast EU och Turkiet*



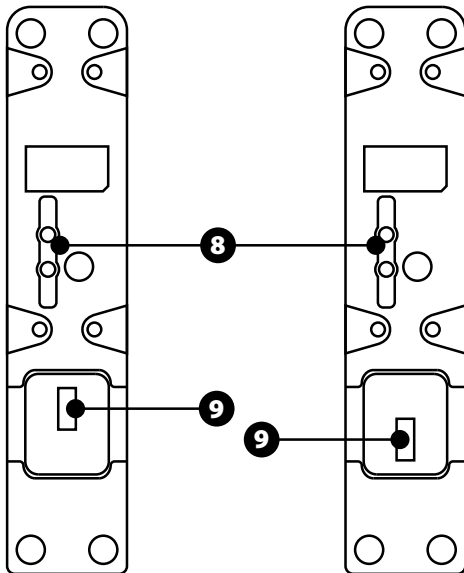
# TCA QUADRANT ADD-ON AIRBUS EDITION

Käyttöohje

## TEKNISET OMINAISUUDET



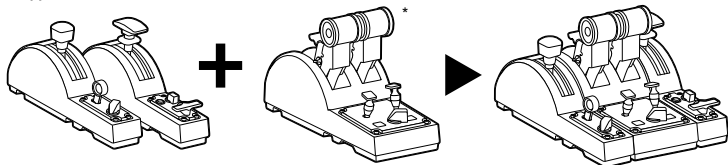




1. Lentojarrun (ilmajarru) akseli
2. 4 pykälää akselilla + 5 virtuaalipainiketta
3. 6 toimintopainiketta
4. Siivekkeiden akseli
5. 4 pykälää akselilla
6. 4 toimintopainiketta
7. Vastuksensäätöruuvi jokaisessa moduulissa
8. Mekanismi akselipykälien käyttöönotolle ja poistamiselle
9. SATA-liittimet TCA Quadrant Airbus Editionille (myydään erikseen)

# TCA QUADRANT ADD-ON AIRBUS EDITION -MODUULIEN YHDISTÄMINEN TCA QUADRANT AIRBUS EDITIONIIN\*

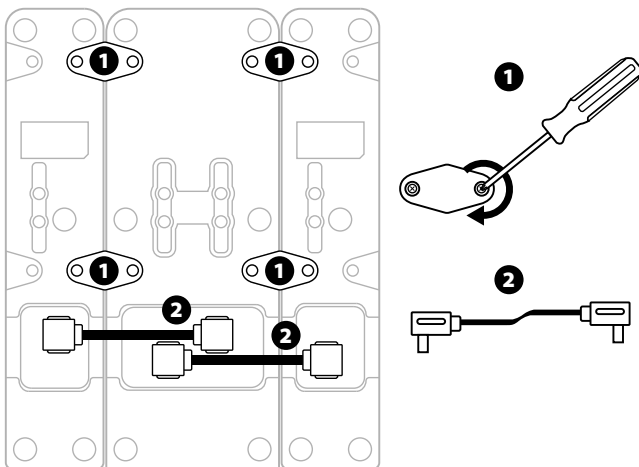
\* Myydään erikseen

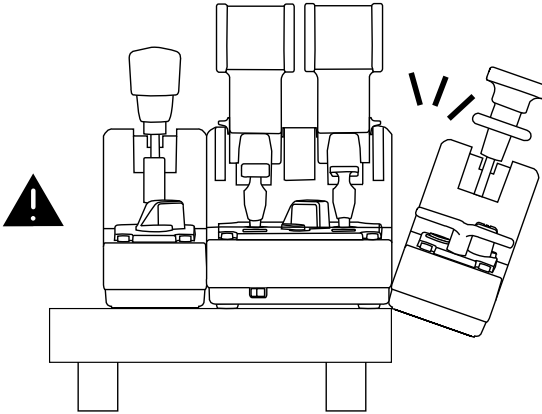
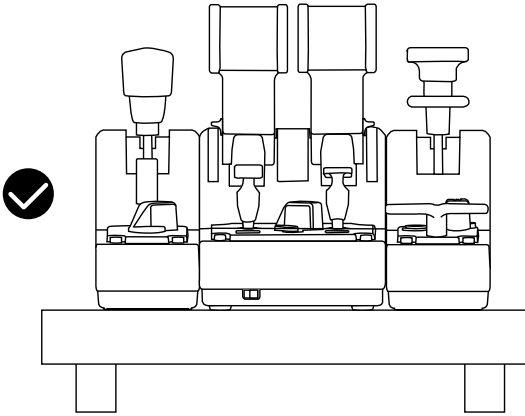


Jotta TCA Quadrant Add-On Airbus Edition -moduuleja voidaan käyttää, sinulla on oltava TCA Quadrant Airbus Edition (myydään erikseen). TCA Quadrant Add-On Airbus Edition -moduulit laajentavat TCA Quadrant Airbus Edition -tehovipuysikköä ja toimivat vain TCA Quadrant Airbus Editionin molemmille puolille yhdistettynä.

Tämä modulaarisuus lisää uusia akseleita ja toimintapainikkeita ja sallii TCA Quadrant Airbus Editionin lentotunteen (nousu, lento ja laskeutuminen) laajentamisen.

1. Käännä kaikki laitteet ylösalaisin ja ruuvaa sopivalla päällä varustettua ruuvimeisseliä (ei mukana) käyttämällä neljä TCA Quadrant Airbus Editionin ja TCA Quadrant Add-On Airbus Edition -moduulien mukana tullutta liitinpalaa kiinnittäaksesi kaikki yhteen.
2. Liitä lentojarrumoduuli TCA Quadrant Airbus Editionin vasemmalle puolelle ja siivekemoduuli oikealle puolelle TCA Quadrant Add-On Airbus Editionin mukana tulleita SATA-kaapeleita käyttämällä.





- Välttääksesi tuotteiden vahingoittamista kiristä/avaa ruuvit niitä vastaavalla päällä varustettua ruuvimeisseliä (ei mukana) käyttämällä.
- Käytä ainoastaan Thrustmasterin virallisia kaapeleita: TCA Quadrant Airbus Editionin laiteohjelmisto voidaan silloin päivittää tarvittaessa.
- Älä ikinä aseta TCA Quadrant Airbus Editionia siten, että kumpikaan TCA Quadrant Add-On Airbus Edition -moduuleista on aivan pöydän reunalla tai roikkuu reunan yli.

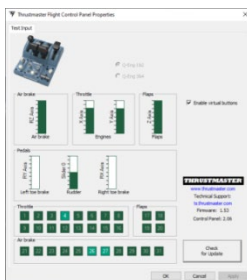
# ASENNUS TIETOKONEELLE

1. Käy osoitteessa <https://support.thrustmaster.com>. Napsauta **Joysticks / TCA Quadrant Airbus Edition** (tai **TCA Quadrant Add-On Airbus Edition**) ja valitse **Drivers**. Lataa ja asenna tietokoneen ajurit sekä sen erillinen käyttöliittymä Windowsin ohjauspaneelia varten.
2. Kun PC-ajuri on asennettu, yhdistä TCA Quadrant Airbus Editionin USB-liitin yhteen tietokoneen USB-porteista.
3. Avaa ohjauspaneeli napsauttamalla **Aloita / Sovellukset / Thrustmaster / Control Panel** (Windows® 10 / 8.1 / 8).

**Peliohjaimet**-laatikko ilmestyy ruudulle.

Lisälaite näkyy ruudulla nimellä **TCA Q-Eng 1&2** (tai **TCA Q-Eng 3&4**, riippuen moottorien valintakytkimen [5] asennosta TCA Quadrant Airbus Editionissa), sen tila on myös **OK**.

4. Napsauta **Peliohjaimet**-laatikossa **Ominaisuudet** testataksesi ja nähdäksesi kaikki toiminnot, mukaan lukien TCA Quadrant Add-On Airbus Edition -moduuleihin liittyvät toiminnot.



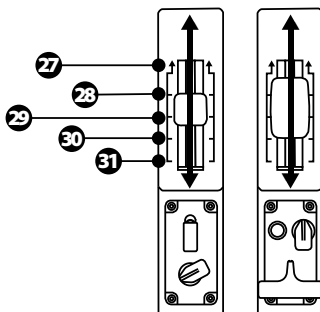
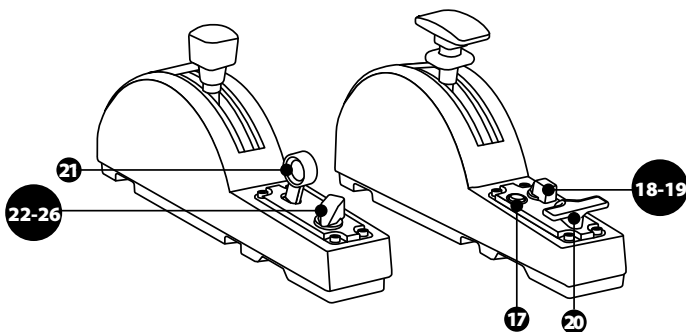
**Enable virtual buttons (Ota virtuaalipainikkeet käyttöön):** Voit tämän ominaisuuden avulla ottaa käyttöön ja poistaa käytöstä tehovipuyksikön ja lentojarrumoduulin akselleille saatavilla olevat virtuaalipainikkeet. Napsauta **Apply (Käytä)**, kun olet valinnut käytettävän tilan.

**Olet nyt pelivalmis!**

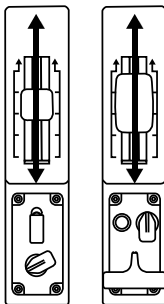


- TCA Quadrant Add-On Airbus Edition -moduulien käyttö vaatii TCA Quadrant Airbus Editionin (myydään erikseen).
- Käy osoitteessa <https://support.thrustmaster.com> ladataksesi paketin, joka sisältää tuotteen laiteohjelmiston päivittämisen sallivat ajurit. Voit sen avulla hallita tuotteen ominaisuuksia tarkemmin.

# TCA QUADRANT ADD-ON AIRBUS EDITION -MODUULIEN 15 PAINIKKEEN JA KAHDEN AKSELIN MÄÄRITTÄMINEN



0 up  
ZR  
65536 down



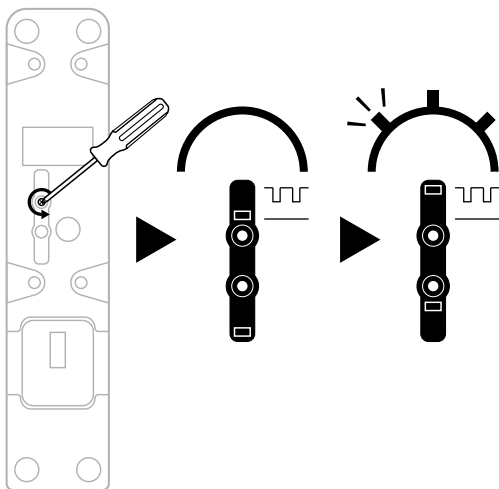
0 up  
Z  
65536 down

## MUUTOSTEN TEKEMINEN TCA QUADRANT ADD-ON AIRBUS EDITION -MODUULIEN AKSELEIHIN

TCA Quadrant Add-On Airbus Edition -moduulit sisältävät mekaanisia kytkimiä, joiden avulla voit poistaa jokaisen akselin pykälät/kolot käytöstä. Se mahdollistaa akselien sulavan liikkeen samalla, kun virtuaalipainikkeet 27–31 pysyvät käytössä lentojarrumoduulissa.

Voit asetuksen avulla muuttaa lentokokemusta simulaatiossa lennettävän lentokonetyyppin mukaan (matkustajakone vai siviililentokone).

1. Käännä TCA Quadrant Add-On Airbus Edition -moduulit ylösalaisin ja avaa sopivalla päällä varustettua ruuvimeisseliä (ei mukana) käyttämällä jokaisen kytkimen kaksi ruuvia.
2. Vaihda kytkinten asentoa merkkejä noudattamalla: voit valita jokaiselle TCA Quadrant Add-On Airbus Edition -moduulien akselille joko sulavan liikkeen tai pykälät/kolot.

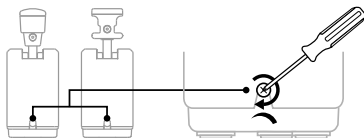
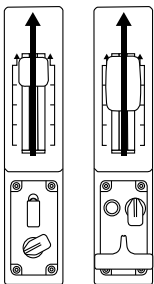


# VASTUKSEN SÄÄTÄMINEN

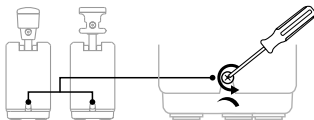
## TÄRKEÄT HUOMAUTUKSET:

- TCA Quadrant Add-On Airbus Edition -moduulien vastus on oletusarvoisesti 50 %.
- Jotta voit tehdä tarkkoja säätöjä mieltymystesi mukaan, käytä sopivalla päällä varustettua ruuvimeisseliä (ei mukana) – tai TCA Quadrant Airbus Editionin mukana tullutta ristitankoa – vastuksensäätöruuveja kääntäaksesi.

1. Työnnä molemmat TCA Quadrant Add-On Airbus Edition -moduulin vivut maksimiasentoon ja käytä sitten jokaisen moduulin takaa löytyviä vastuksensäätöruuveja.
2. Lisää vastusta kääntämällä vastuksensäätöruuvia myötäpäivään.



3. Vähennä vastusta kääntämällä vastuksensäätöruuvia vastapäivään.

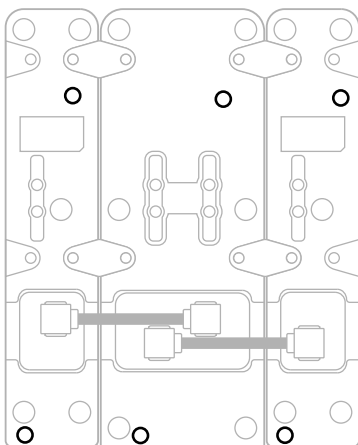


- Ole vastusjärjestelmän vahingoittamista välttääksesi varovainen, ettet kiristä vastuksensäätöruuveja liikaa: lopeta ruuvien kääntäminen, kun tunnet vastustusta.
- Älä ikinä avaa vastuksensäätöruuveja täysin estääksesi ruuveja putoamasta kummakaan TCA Quadrant Add-On Airbus Edition -moduulin sisälle.

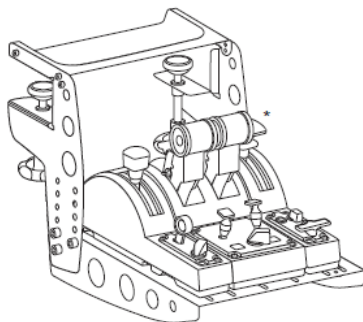
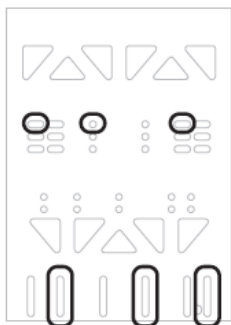
# TCA QUADRANT AIRBUS EDITIONIN\* JA TCA QUADRANT ADD-ON AIRBUS EDITION -MODUULIEN KIINNITTÄMINEN TM FLYING CLAMP\* -KIINNITTIMEEN, OHJAAMOON\* TAI MUUHUN KIINTEÄÄN PINTAAN

*\* Myydään erikseen*

Voit käyttää kuutta TCA Quadrant Airbus Editionin alapuolelta löytyvää reikää, kun se on yhdistetty TCA Quadrant Add-On Airbus Edition -moduuleihin, kiinnittääksesi kaikki laitteet kiinteään pintaan M6-ruuveja (ei mukana) käyttämällä.



Kiinnitysdiagrammi TM Flying Clamp\* -kiinnittimelle (\*myydään erikseen):





# EDISTYNYT T.A.R.G.E.T.-OHJELMOINTISOVELLUS

## (Thrustmaster Advanced pRogramming Graphical EdiTor)

Käy osoitteessa <https://support.thrustmaster.com>. Napsauta **Joysticks / TCA Quadrant Airbus Edition** (tai **TCA Quadrant Add-On Airbus Edition**) ja valitse sitten **Software**. Lataa ja asenna edistynyt T.A.R.G.E.T-ohjelmointisovellus.

T.A.R.G.E.T – pääominaisuudet:

- Eri määrittämiä akselleille.
- Eri ohjelmointitasoja: Basic, Advanced ja Script.
- Käyttää Drag & Drop -periaatetta.
- Kyky yhdistää TCA Quadrant Airbus Edition -tehovipuyksikkö eri Thrustmaster-ohjaimiin (HOTAS Cougar, HOTAS Warthog, T.16000M, MFD Cougar Pack, joista kaikki ovat myös T.A.R.G.E.T.-yhteensopivia), mikä sallii niiden tunnistamisen yhtenä USB-laitteena.
- Pääsy Thrustmaster-yhteisön luomiin edistyneisiin profileihin.



## ONGELMANRATKAISU JA VAROITUKSET



Käy osoitteessa <https://support.thrustmaster.com> lataaksesi paketin, joka sisältää tuotteen laiteohjelmiston päivittämisen sallivat ajurit. Voit sen avulla hallita tuotteen ominaisuuksia tarkemmin.

- **TCA Quadrant Add-On Airbus Edition -moduulini eivät toimi oikein tai vaikuttavat virheellisesti kalibroiduilta, kun ne on yhdistetty TCA Quadrant Airbus Editioniin.**
  - Käy osoitteessa <https://support.thrustmaster.com> tarkistamassa, mikäli uudempi laiteohjelmiston versio on saatavilla: mikäli sellainen on, seuraa ohjeita lataaksesi ja asentaaksesi sen.
  - Sammuta tietokoneesi virta ja irrota TCA Quadrant Airbus Edition -tehovipuysikön USB-liitin. Varmista, että molemmat SATA-kaapelit on kiinnitetty kunnolla laitteisiin.
  - Sammuta tietokoneesi virta ja irrota TCA Quadrant Airbus Edition -tehovipuysikön USB-liitin. Yhdistä sitten USB-liitin uudelleen, käynnistä tietokone ja sitten peli.
  - Kun yhdistät TCA Quadrant Airbus Edition -tehovipuysikön USB-liitintä, jätä aina sivuperäsin keskelle, mikäli käytät TFRP-sivuperäsinjärjestelmää (myydään erikseen): älä ikinä aseta jalkojasi TFRP-sivuperäsinjärjestelmän polkimille sitä tehdessäsi.
- **En saa määritettyä TCA Quadrant Add-On Airbus Edition -moduuleita TCA Quadrant Airbus Edition -tehovipuysikön kanssa.**
  - Mene pelissä valikkoon Options / Controller / Gamepad tai Joystick, valitse sopiva asetus tai määritä ohjaimen asetukset täysin uusiksi.
  - Käy osoitteessa <https://support.thrustmaster.com> tarkistamassa, mikäli uudempi laiteohjelmiston versio on saatavilla: mikäli sellainen on, seuraa ohjeita lataaksesi ja asentaaksesi sen.
  - Lisää tietoa löytää pelin käyttöohjeesta tai verkon apusivustolta.
  - Voit käyttää myös edistynyttä T.A.R.G.E.T (Thrustmaster Advanced pRogramming Graphical EdiTor) -ohjelmointisovellusta.
- **TCA Quadrant Add-On Airbus Edition -moduulini ovat liian herkkiä tai eivät ole tarpeeksi herkkiä.**
  - TCA Quadrant Add-On Airbus Edition -moduulien akselit kalibroivat itsensä automaattisesti hetken jälkeen, ja kun akselit ovat saavuttaneet fyysiset ääripäänsä.
  - Mene pelissä valikkoon Options / Controller / Gamepad tai Joystick ja säädä ohjaimen herkkyyttä ja kuolleita alueita (jos nämä asetukset ovat saatavilla).
  - Voit käyttää myös edistynyttä T.A.R.G.E.T (Thrustmaster Advanced pRogramming Graphical EdiTor) -ohjelmointisovellusta.



Nämä laitteet on tarkoitettu vain peliviihdekäytössä käytettäväksi. Näitä laitteita ei missään tapauksessa saa käyttää ammattimaisessa koulutusikäikäytössä.

## KULUTTAJAN TAKUUTIEDOT

Maailmanlaajuinen, Guillemot Corporation S.A., jonka rekisteröity toimisto sijaitsee osoitteessa Place du Granier, B.P. 97143, 35571 Chantepie, France (tästä eteenpäin "Guillemot"), takaa asiakkaalle, että tämä Thrustmaster-tuote on materiaaleista ja työn laadusta johtuvista vioista vapaa takuuajan verran. Kaikki toimet sen noudattamiseksi on nostettava tämän aikarajan sisällä. Euroopan Union jäsenvaltioissa se vastaa kahta (2) vuotta Thrustmaster-tuotteen toimituksesta. Muissa maissa takuu aika vastaa Thrustmaster-tuotteen noudattamisvaatimusten aikarajaa sen maan asiaankuuluvien lakien mukaisesti, jonka asukas kuluttaja oli Thrustmaster-tuotteen ostopäivänä (mikäli kyseisessä maassa ei ole tällaisia vaatimuksia, takuuajan kesto on yksi (1) vuosi Thrustmaster-tuotteen ostopäivästä).

Yllä olevasta huolimatta ladattavilla akuilla on kuuden (6) kuukauden takuu ostopäivästä lähtien.

Mikäli tuote vaikuttaa takuuajan aikana violliselta, ota välittömästi yhteyttä tekniseen tukeen, joka kertoo noudettavista toimenpiteistä. Jos vika vahvistetaan, tuote täytyy palauttaa sen ostopaikkaan (tai muuhun teknisen tuen osoittamaan paikkaan).

Tämän takuun puitteissa kuluttajan viallinen tuote joko korvataan uudella tai palautetaan toimintakuntoon teknisen tuen valinnan mukaan. Jos takuuajan aikana Thrustmaster-tuotteelle tehdään korjaustoimia, mikä tahansa vähintään seitsemän (7) päivää kestänyt jakso, jolloin tuote ei ole käytettävissä, lisätään jäljellä olevaan takuu aikaan (jakso alkaa siitä päivästä, kun asiakas pyytää tukitoimia tai kun kyseessä oleva tuote luovutetaan korjattavaksi, mikäli korjaukseen luovuttamisen päivämäärä on myöhäisempi kuin tukitoimipyynnön). Mikäli asiaankuuluva laki sen sallii, Guillemotin ja sen tytäryhtiöiden täysi vastuuvollisuus (mukaan lukien välilliset vahingot) rajoittuvat Thrustmaster-tuotteen toiminnan palauttamiseen tai sen korvaamiseen uudella. Mikäli asiaankuuluva laki sen sallii, Guillemot kiistää kaikki takuut tuotteen myytävyydestä tai sopivuudesta tiettyyn tarkoitukseen.

Tämä takuu ei ole voimassa: (1) mikäli tuotetta on muokattu, avattu, muunneltu tai se on kärsinyt vahinkoa epäasiallisen tai huonon käytön, huolimattomuuden, onnettomuuden, tavallisen kulumisen tai minkä tahansa muun syyn johdosta, joka ei liity materiaali- tai valmistusvirheisiin (mukaan lukien, mutta rajoittumatta, Thrustmaster-tuotteen yhdistäminen epäsovivan osan kanssa, erityisesti virtalähteet, ladattavat akut, laturit tai muut tuotteet, joita Guillemot ei ole toimittanut tälle tuotteelle); (2) mikäli tuotetta on käytetty missä tahansa muussa kuin kotikäytössä, mukaan lukien ammattimaisessa tai kaupallisessa käytössä (esim. pelihuoneet, koulutus ja kilpailut); (3) mikäli vian ilmetessä teknisen tuen ohjeita ei ole noudatettu; (4) ohjelmistojen kohdalla, kyseisellä ohjelmistolla on erillinen takuu; (5) käyttöesineiden kohdalla (tuotteen eliniän aikana vaihdettavat osat: esim. kertakäyttöiset paristot, kuulokkeet tai kuuloketyyny); (6) lisälaiteiden kohdalla (esim. kaapelit, kotelo, pussit, laukut ja rannekkeet); (7) mikäli tuote myytiin julkisessa huutokaupassa.

Tätä takuuta ei voi siirtää.

Tämä takuu ei vaikuta kuluttajan laillisiin oikeuksiin hänen maassaan, mitä tulee kuluttajatuotteiden myyntiin.

## **Ylimääräiset takuehdot**

Takuuajan aikana Guillemot ei lähtökohtaisesti tarjoa varaosia, sillä tekninen tuki on ainoa osapuoli, joka on valtuutettu avaamaan ja/tai korjaamaan Thrustmaster-tuotteita (pois lukien sellaiset korjaustoimet, joita tekninen tuki saattaa pyytää kuluttajaa tekemään kirjallisten ohjeiden kautta – esimerkiksi korjaustoimen yksinkertaisuuden ja salassapitotarpeiden puuttumisen vuoksi – ja toimittamalla kuluttajalla vaadittavat varaosat, jos ne ovat tarpeellisia).

Innovaatiosykleistä johtuen ja suojellakseen tietotaitoaan sekä liikesalaisuuksiaan Guillemot ei lähtökohtaisesti tarjoa mitään tai varaosia Thrustmaster-tuotteille, joiden takuu aika on umpeutunut.

Yhdysvalloissa ja Kanadassa tämä takuu rajoittuu tuotteen sisäisiin mekanismeihin ja ulkoisiin koteloihin. Guillemotia ja sen osakkuusyhtiöitä ei missään tilanteessa saa pitää vastuuvollisena kolmannelle osapuolelle välillisistä tai satunnaisista vahingoista, jotka ovat johtuneet nimenomaisten tai epäsuorien takuiden rikkomuksesta. Jotkin osavaltiot/provinsit eivät salli rajoituksia epäsuorien takuiden kestoon tai korvausvelvollisuuden rajauksia tai rajoituksia välillisissä tai satunnaisissa vahingoissa, joten yllä olevat rajoitukset ja rajaukset ei välttämättä päde kohdallasi. Tämä takuu antaa sinulle tiettyjä laillisia oikeuksia, ja sinulla saattaa olla muita osavaltiosta (tai maasta tai provinssista) riippuvia oikeuksia.

## **Vastuuvollisuus**

Mikäli asiaankuuluva laki sen sallii, Guillemot Corporation S.A. (tästä eteenpäin "Guillemot") ja sen tytäryhtiöt kiistävät vastuunsa kaikista vahingoista, jotka johtuvat yhdestä tai useammasta seuraavasta: (1) tuotetta on muokattu, avattu tai muunneltu; (2) kokoamisohjeita ei ole noudatettu; (3) epäasiallisen tai huonon käytön, huolimattomuuden tai onnettomuuden (esim. isku) johdosta; (4) tavallisen kulumisen johdosta; (5) tuotetta on käytetty missä tahansa muussa kuin kotikäytössä, mukaan lukien ammattimaisessa tai kaupallisessa käytössä (esim. pelihuoneet, koulutus ja kilpailut). Mikäli asiaankuuluva laki sen sallii, Guillemot ja sen tytäryhtiöt kiistävät vastuunsa kaikista vahingoista, jotka eivät liity tuotteen materiaali- tai valmistusvirheisiin (mukaan lukien, mutta rajoittumatta, ohjelmiston suoraan tai epäsuoraan aiheuttamat vahingot, tai yhdistämällä Thrustmaster-tuote minkä tahansa epäsojivan osan kanssa, mukaan lukien tietyt virtalähteet, ladattavat akut, laturit tai muut osat, joita Guillemot ei ole toimittanut tälle tuotteelle).

**THRUSTMASTER®**

**TEKNINEN TUKI**

<https://support.thrustmaster.com>



## TEKIJÄNOIKEUS

© 2020 Guillemot Corporation S.A. Kaikki oikeudet pidätetään. Thrustmaster® on Guillemot Corporation S.A.:n rekisteröity tavaramerkki. Windows® on Microsoft Corporationin rekisteröity tavaramerkki Yhdysvalloissa ja/tai muissa maissa.

AIRBUS, sen logo sekä tuote- että palvelumerkit ovat Airbusin rekisteröityjä tavaramerkkejä. Kaikki oikeudet pidätetään.

© Airbus 2020. Kaikki oikeudet pidätetään. Airbusin virallisesti lisensoima.

Kaikki muut tavaramerkit ovat haltijoidensa omaisuutta. Kuvitukset eivät ole sitovia. Sisältö, mallit ja tavaraselosteet voivat muuttua ilman erillistä ilmoitusta ja vaihdella maasta toiseen. Valmistettu Kiinassa.

Department of the Air Forcen virallisesti lisensoima tuote. Tämä ei tarkoita Yhdysvaltojen ilmavoimien nimenomaista tai implisiittistä suositusta.

## YMPÄRISTÖNSUOJELUSUOSITUS



\* Euroopan unionissa: Käyttökänsä päätyttyä tätä tuotetta ei pidä laittaa kodin sekajätteeseen, vaan se tulee viedä sähkö- ja elektroniikkalaiteromun (SER/WEEE) keräyspisteeseen kierrätettäväksi.

Tämä vahvistetaan tuotteesta, käyttöohjeesta sekä pakkauksesta löytyvällä symbolilla.

■ Ominaisuuksistaan riippuen materiaalit voidaan kierrättää. Voit kierrätyksen ja muun sähkö- ja elektroniikkaromun käsittelyn avulla auttaa merkittävästi ympäristön suojelussa.

Ota yhteyttä paikallisiin viranomaisiin saadaksesi tietoa lähimmästä keräyspisteestä.

Muissa maissa: Noudata paikallisia sähkö- ja elektroniikkaromun kierrätyslakeja.

Pidä nämä tiedot tallessa. Värit ja koristeet voivat vaihdella.

Muoviset kiinnittimet ja tarrat tulee poistaa ennen tuotteen käyttöä.

Tämä tuote vastaa kaikkia standardeja vähintään 14-vuotiaiden lasten käytölle. Tämä tuote ei sovellu alle 14-vuotiaiden lasten käyttöön.

[www.thrustmaster.com](http://www.thrustmaster.com)

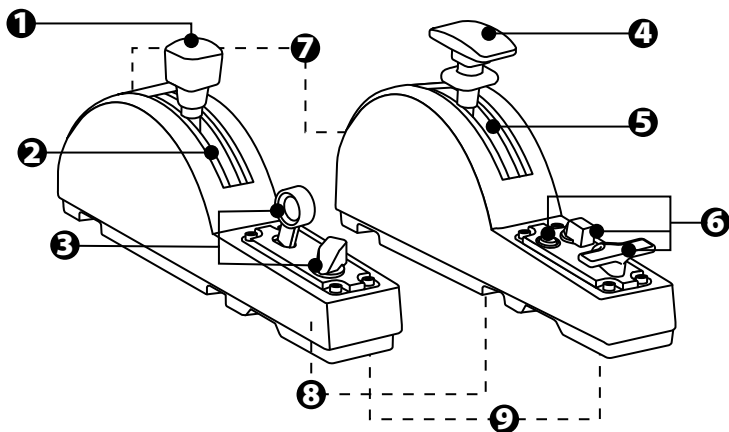
\* Voimassa vain EU:ssa ja Turkissa

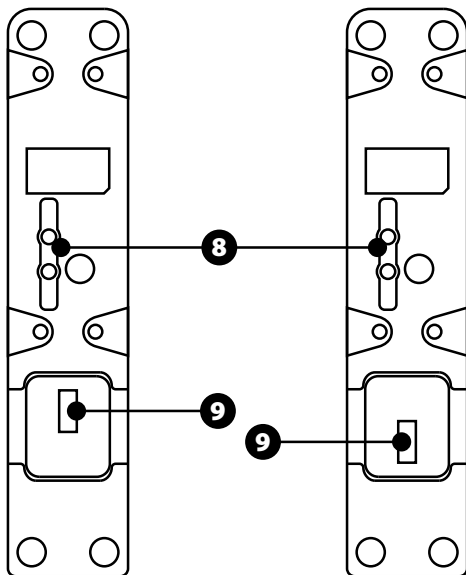


# TCA QUADRANT ADD-ON AIRBUS EDITION

Návod na použitie

## TECHNICKÉ VLASTNOSTI

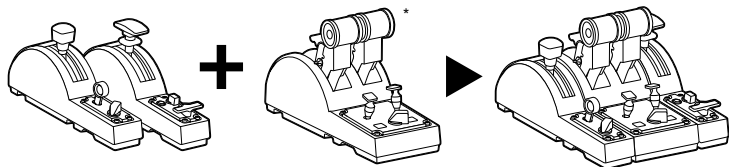




- |   |  |
|---|--|
| 1. Os aerodynamickej brzdy (vzduchovej brzdy) | 6. 4 akčné tlačidlá  |
| 2. 4 zarážky na osi + 5 virtuálnych tlačidiel | 7. Skrutka na nastavenie odporu na každom module                     |
| 3. 6 akčných tlačidiel                        | 8. Mechanizmus na aktiváciu / deaktiváciu zarážok na každej osi      |
| 4. Os vzlakových klapiek                      | 9. SATA konektory TCA Quadrant Airbus Edition (predávané samostatne) |
| 5. 4 zarážky na osi                           |  |

# PRIPOJENIE MODULOV TCA QUADRANT ADD-ON AIRBUS EDITION K TCA QUADRANT AIRBUS EDITION\*

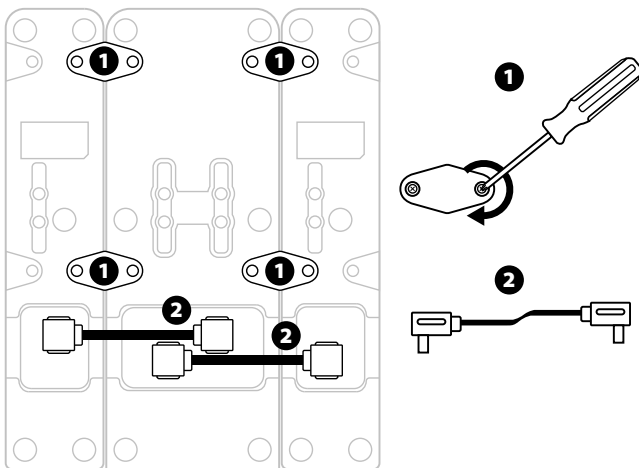
\*Predávané samostatne



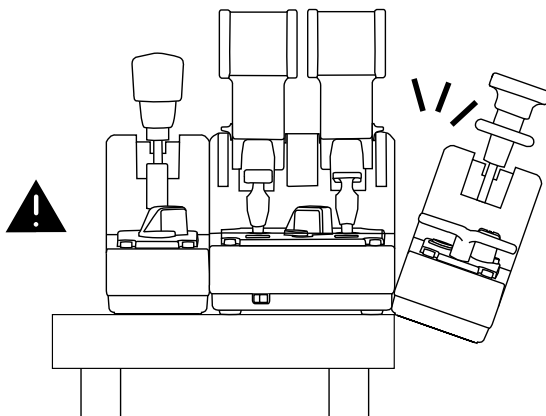
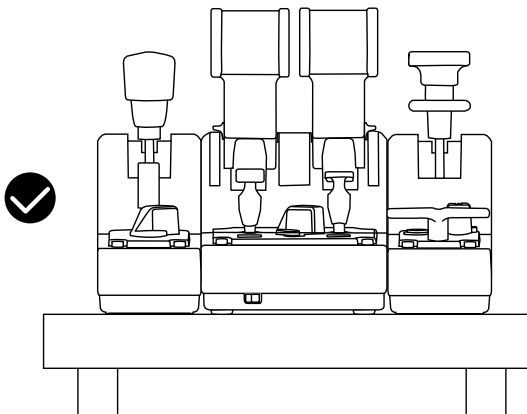
Pre použitie modulov TCA Quadrant Add-On Airbus Edition musíte vlastniť TCA Quadrant Airbus Edition (predávaný samostatne). Moduly TCA Quadrant Add-On Airbus Edition sú rozšírením panelu ovládania tahu motorov TCA Quadrant Airbus Edition, a fungujú len ak sú pripojené k obojstranným stranám TCA Quadrant Airbus Edition.

Táto modularita pridáva nové osi a akčné tlačidlá a umožňuje Vám tak rozšíriť kinematiku (vzlet, let a pristátie) TCA Quadrant Airbus Edition.

1. Otočte všetky zariadenia hore nohami a pomocou skrutkovača s príslušným tvarom hlavy (nie je súčasťou balenia) naskrutkujte štyri upevňovacie skrutky, dodávané s modulmi TCA Quadrant Airbus Edition a TCA Quadrant Add-On Airbus Edition, a spojte všetky dokopy.
2. Pripojte modul aerodynamickej brzdy naľavo od TCA Quadrant Airbus Edition a modul vztlakových klapiek doprava pomocou káblov SATA, ktoré sú súčasťou balenia TCA Quadrant Add-On Airbus Edition.







- Na utiahnutie/odtiahnutie skrutiek použite skrutkovač so zodpovedajúcim tvarom hlavy (nie je v balení), aby ste zabránili poškodeniu výrobkov.
- Používajte iba oficiálne káble poskytnuté spoločnosťou Thrustmaster: toto Vám umožní v prípade potreby aktualizovať firmvér pre TCA Quadrant Airbus Edition.
- Nikdy neumiestňujte TCA Quadrant Airbus Edition tak, aby niektorý z doplnkových modulov TCA Quadrant Add-On Airbus Edition visel blízko alebo z okraja stola alebo povrchu.

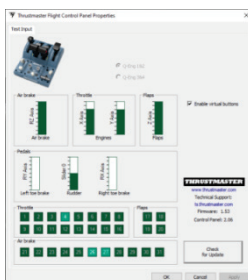
# INŠTALÁCIA NA PC

1. Navštívte stránku <https://support.thrustmaster.com>. Kliknite na **Joysticks / TCA Quadrant Airbus Edition** (alebo **TCA Quadrant Add-On Airbus Edition**), a vyberte **Drivers**. Stiahnite a nainštalujte ovládač pre PC a jeho prispôbené rozhranie pre Ovládací Panel Windows.
2. Po nainštalovaní ovládača pre PC pripojte konektor USB TCA Quadrant Airbus Edition zariadenia k jednému z USB portov na počítači.
3. Pre prístup do Ovládacieho panelu, kliknite **Štart / Aplikácie / Thrustmaster / Ovládací panel** (vo Windows® 10 / 8.1 / 8).

Zobrazí sa dialógové okno **Ovládače hier**.

Príslušenstvo je uvedené na obrazovke s názvom **TCA Q-Eng 1&2** (alebo **TCA Q-Eng 3&4**, v závislosti od polohy prepínača pre motory [5] na TCA Quadrant Airbus Edition), spolu so stavom **OK**.

4. V dialógovom okne **Ovládače hier** kliknite na **Vlastnosti**, aby ste otestovali a zobrazili všetky funkcie, vrátane tých, ktoré súvisia s modulmi TCA Quadrant Add-On Airbus Edition.



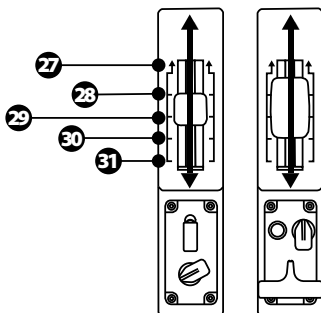
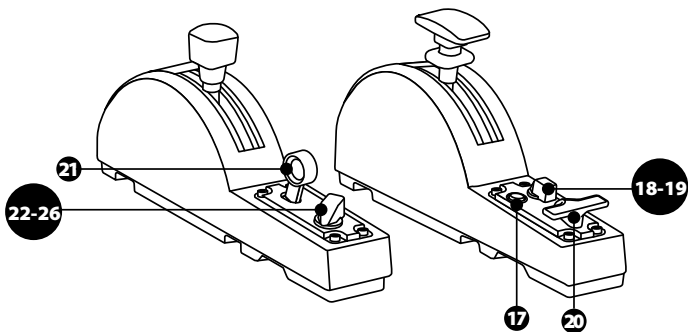
**Enable virtual buttons (Povolit virtuálne tlačidlá):** Táto funkcia Vám umožňuje povoliť alebo zakázať virtuálne tlačidlá dostupné na osiach pre panel ovládania ľahu motorov a modul aerodynamickej brzdy. Po výbere režimu, ktorý chcete použiť, kliknite na tlačidlo **Apply (Použiť)**.

**Teraz môžete hrať!**

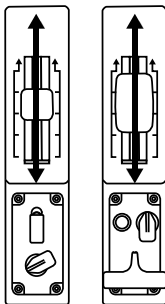


- Ak chcete používať moduly TCA Quadrant Add-On Airbus, musíte vlastniť TCA Quadrant Airbus Edition (predávané samostatne).
- Navštívte <https://support.thrustmaster.com> a stiahnite balík obsahujúci ovládače, ktoré Vám umožnia aktualizovať firmvér produktu, čím získate podrobnejšiu kontrolu nad funkciami produktu.

# MAPOVANIE 15 TLAČIDIEL MODULOV A2 OSÍ TCA QUADRANT ADD-ON AIRBUS EDITION



0 up  
 ZR  
 65536 down



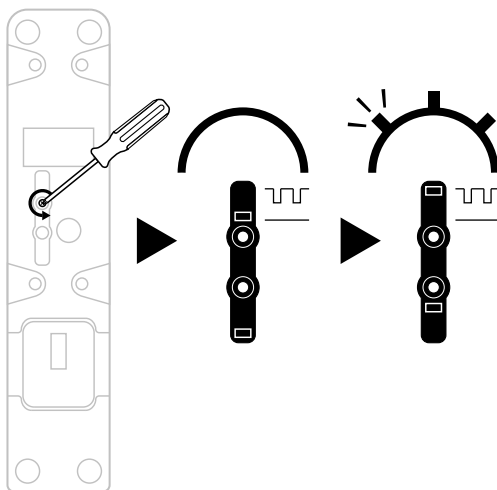
0 up  
 Z  
 65536 down

## ZMENY OSÍ NA MODULOCH TCA QUADRANT ADD-ON AIRBUS EDITION

Moduly TCA Quadrant Add-On Airbus Edition majú mechanické selektory, ktoré umožňujú deaktivovať zarážky/zárezy na každej osi. To Vám umožní mať plynulé osi, pri zachovaní virtuálnych tlačidiel 27 až 31 na module aerodynamickej brzdy.

Táto možnosť Vám umožňuje zmeniť pocity pri pilotovaní podľa typu lietadla použitého vo Vašej simulácii (komerčné lietadlo alebo civilné lietadlo).

1. Otočte moduly TCA Quadrant Add-On Airbus Edition hore nohami a pomocou skrutkovača s príslušným tvarom hlavy (nie je súčasťou balenia) odskrutkujte dve skrutky pre každý zo selektorov.
2. Prepnite polohu selektorov použitím indikátorov ako pomôcky: umožní Vám to zdvih' buď plynulú os, alebo os so zarážkami/zárezní pre každú os modulov TCA Quadrant Add-On Airbus Edition.

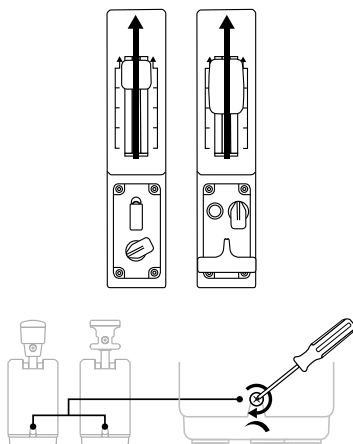


## NASTAVENIE ODPORU

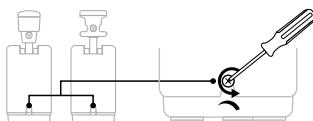
### DÔLEŽITÉ POZNÁMKY:

- Odpor modulov TCA Quadrant Add-On Airbus Edition je prednastavený na 50%.
- Aby ste umožnili presné nastavenie podľa Vašich preferencií, môžete na otáčanie skrutiek pre nastavenie odporu použiť skrutkovač s príslušným tvarom hlavy (nie je súčasťou balenia) - alebo prepojovaciu tyč, ktorá je súčasťou TCA Quadrant Airbus Edition.

1. Zatláčte obidve páčky modulu TCA Quadrant Add-On Airbus Edition dopredu na ich maximálne hodnoty a potom sťlačte skrutku pre nastavenie odporu na zadnej strane každého modulu.
2. Ak chcete zvýšiť odpor, otočte skrutku nastavenia odporu v smere hodinových ručičiek.



3. Ak chcete znížiť odpor, otočte skrutku nastavenia odporu proti smeru hodinových ručičiek.

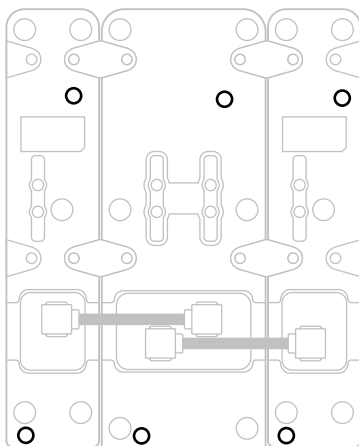


- Aby ste predišli poškodeniu systému odporu, buďte opatrní, aby ste príliš neutiahli nastavovacie skrutky: ak pocítite odpor, prestaňte nimi otáčať.
- Nikdy úplne neodskrutkujte nastavovacie skrutky, aby ste zabránili padnutiu skrutiek dovnútra modulov TCA Quadrant Add-On Airbus Edition.

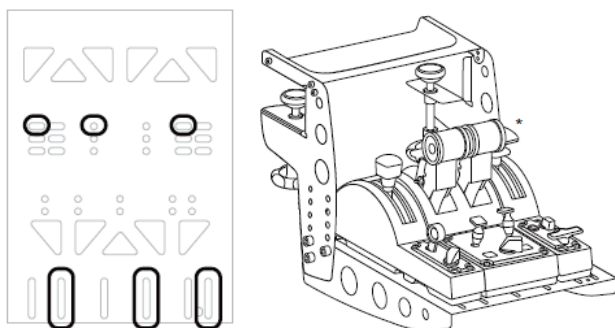
# PRIPÁJANIE MODULOV TCA QUADRANT AIRBUS EDITION\* A TCA QUADRANT ADD-ON AIRBUS EDITION K TM FLYING CLAMP\*, KOKPITU\* ALEBO INÉMU PEVNÉMU POVRCHU

*\*Predávané samostatne*

Pomocou 6 otvorov umiestnených na spodnej strane TCA Quadrant Airbus Edition, keď sú pripojené moduly TCA Quadrant Add-On Airbus Edition, môžete pomocou skrutiek M6 (nie sú súčasťou balenia) pripevniť všetky zariadenia k pevnému povrchu.



Nákres pripojenia k TM Flying Clamp\* (\*predávané samostatne):



# POKROČILÝ PROGRAMOVACÍ SOFTVÉR T.A.R.G.E.T (Thrustmaster Advanced pRogramming Graphical EdiT or)

Navštívte stránku <https://support.thrustmaster.com>. Kliknite na **Joysticks / TCA Quadrant Airbus Edition** (alebo **TCA Quadrant Add-On Airbus Edition**), potom vyberte **Software**. Stiahnite a nainštalujte pokročilý programovací softvér T.A.R.G.E.T.

Hlavné funkcie T.A.R.G.E.T:

- Rôzne možné konfigurácie pre osi.
- Rôzne možné úrovne programovania: Basic, Advanced a Script.
- Použitie princípu Drag and Drop.
  - Schopnosť kombinovať panel ovládania ťahu motorov TCA Quadrant Airbus Edition s rôznymi joystickmi Thrustmaster (HOTAS Cougar, HOTAS Warthog, T.16000M, MFD Cougar Pack, z ktorých všetky sú kompatibilné aj s T.A.R.G.E.T), čo umožňuje ich rozpoznanie ako jedného USB zariadenia.
- Prístup k pokročilým profilom vytvorených komunitou Thrustmaster.



## ODSTRAŇOVANIE ZÁVAD A VAROVANIE



Navštívte stránku <https://support.thrustmaster.com> a stiahnite balík obsahujúci ovládače umožňujúce aktualizáciu firmvéru produktu, ktorý Vám poskytne podrobnejšiu kontrolu nad funkciami produktu.

- **Moje moduly TCA Quadrant Add-On Airbus Edition nefungujú správne alebo sa zdajú byť nesprávne kalibrované, keď sú pripojené k TCA Quadrant Airbus Edition.**
  - Navštívte stránku <https://support.thrustmaster.com> pre kontrolu, či je k dispozícii novšia verzia firmvéru: ak je to tak, postupujte podľa pokynov na jej stiahnutie a inštaláciu.
  - Vypnite počítač a odpojte USB konektor pre panel ovládania ťahu motorov TCA Quadrant Airbus Edition. Skontrolujte, či sú obidva káble SATA správne pripojené k zariadeniam.
  - Vypnite počítač a odpojte USB konektor pre panel ovládania ťahu motorov TCA Quadrant Airbus Edition. Potom znova pripojte USB konektor, znovu zapnite počítač a reštartujte hru.
  - Pri pripájaní USB konektora pre panel ovládania ťahu motorov TCA Quadrant Airbus Edition nechajte os kormidla vždy vycentrovanú, ak používate systém kormidla TFRP (predáva sa samostatne): nikdy si pri tom nedávajte nohy na pedále kormidla TFRP.
- **Nemôžem nakonfigurovať svoje moduly TCA Quadrant Add-On Airbus Edition so svojim panelom ovládania ťahu motorov TCA Quadrant Airbus Edition.**
  - V ponuke hry choďte do Možnosti / Ovládač / Gamepad alebo Joystick menu a vyberte príslušnú konfiguráciu alebo úplne prekonfigurujte možnosti ovládača.
  - Navštívte stránku <https://support.thrustmaster.com> pre kontrolu, či je k dispozícii novšia verzia firmvéru: ak je to tak, postupujte podľa pokynov na jej stiahnutie a inštaláciu.
  - Ďalšie informácie nájdete v používateľskej príručke k hre alebo v online pomoci.
  - Tiež môžete použiť pokročilý programovací softvér T.A.R.G.E.T (Thrustmaster Advanced pRogramming Graphical EdiTα).
- **Moje moduly TCA Quadrant Add-On Airbus Edition sú príliš citlivé alebo nedostatočne citlivé.**
  - Osi pre moduly TCA Quadrant Add-On Airbus Edition sa automaticky kalibrujú po niekoľkých pohyboch a po dosiahnutí fyzického konca pre osi.
  - V ponuke hry choďte do Možnosti / Ovládač / Gamepad alebo Joystick menu a upravte citlivosť a mŕtve zóny svojho ovládača (ak sú tieto možnosti k dispozícii).
  - Tiež môžete použiť pokročilý programovací softvér T.A.R.G.E.T (Thrustmaster Advanced pRogramming Graphical EdiTα).



Tieto zariadenia sú určené iba pre účely hernej zábavy. Je prísne zakázané používať tieto zariadenia na profesionálne tréningové aktivity.



## INFORMÁCIE O ZÁRUKĚ

Celosvetovo, spoločnosť Guillemot Corporation S.A., ktorej sídlo sa nachádza na adrese Place du Granier, B.P. 97143, 35571 Chantepie, Francúzsko (ďalej len "Guillemot") zaručuje spotrebiteľovi, že počas záručnej doby, ktorá je zhodná s časovým limitom na podanie reklamácie na tento produkt, tento Thrustmaster produkt nemá materiálne chyby ani výrobné chyby.

V krajinách Európskej únie záručná doba zodpovedá obdobiu dvoch (2) rokov od dodania produktu Thrustmaster. V iných krajinách zodpovedá záručná doba lehote pre podanie reklamácie na produkt Thrustmaster podľa platných zákonov krajiny, v ktorej mal spotrebiteľ bydlisko k dátumu kúpy produktu Thrustmaster (ak takýto zákon v príslušnej krajine neexistuje, potom je záručná doba jeden (1) rok od pôvodného dátumu zakúpenia produktu Thrustmaster). Bez ohľadu na vyššie uvedené, sa na nabíjateľné batérie vzťahuje záručná doba šiestich (6) mesiacov od dátumu nákupu.

Ak počas záručnej doby dôjde na produkte ku chybe, okamžite kontaktujte Technickú podporu, ktorá Vám oznámi ďalší postup. Ak je chyba potvrdená, produkt musí byť vrátený v mieste jeho nákupu (alebo na inom mieste uvedenom Technickou podporou).

V kontexte tejto záruky má Technická podpora možnosť rozhodnúť, či bude chybný produkt spotrebiteľa buď vymenený alebo opravený do funkčného stavu. Ak v priebehu záručnej doby podlieha produkt Thrustmaster takejto oprave, každá doba najmenej siedmich (7) dní, počas ktorých je výrobok nepoužiteľný, bude doplnená do zostávajúcej záručnej doby (toto obdobie začína plynúť od dátumu žiadosti spotrebiteľa alebo dátumom, kedy je daný výrobok dodaný na opravu, ak je dátum, kedy je výrobok dodaný na opravu po dátume podania žiadosti). Ak to umožňujú platné právne predpisy, plná zodpovednosť spoločnosti Guillemot a jej dcérskych spoločností (vrátane následných škôd) je obmedzená na návrat produktu do funkčného stavu alebo na výmenu produktu Thrustmaster. Ak to dovoľuje platné právo, spoločnosť Guillemot neposkytuje záruku obchodovateľnosti a spôsobilosti pre určité použitie.

Táto záruka sa nevzťahuje na: 1. ak bol výrobok upravený, otvorený, pozmenený alebo poškodený v dôsledku nevhodného alebo hrubého používania, nedbanlivosti, nehody, bežného opotrebenia, alebo akejkoľvek inej príčiny nesúvisiacej s materiálnoú alebo výrobnou chybou (vrátane, nie však výlučne, kombinácie výrobku Thrustmaster s akýmkoľvek nevhodným prvkom, vrátane napájacích zdrojov, nabíjateľných batérií, nabíjačiek, alebo iných prvkov, ktoré Guillemot nedodáva pre tento výrobok); 2) ak bol výrobok použitý na akékoľvek iné použitie ako na domáce použitie, a to aj na profesionálne, alebo komerčné účely (napríklad herne, školenia, súťaže); 3) v prípade nedodržania pokynov poskytnutých Technickou podporou; 4) softvér, pričom uvedený softvér podlieha osobitnej záruke; 5) spotrebné materiály (prvky, ktoré sa majú vymeniť počas životnosti výrobku: napríklad jednorazové batérie, zvukové súpravy alebo slúchadlá); 6) na príslušenstvo (napríklad káble, puzdrá, vrecká, tašky, popruhy na zápästie); 7) ak bol výrobok predaný vo verejnej dražbe.

Táto záruka nie je prenosná.

Zákonné práva spotrebiteľa, pokiaľ ide o zákony platné pre predaj spotrebného tovaru v jeho alebo jej krajine, nie sú touto zárukou ovplyvnené.

## Ďalšie záručné ustanovenia

Počas záručnej lehoty, Guillemot neposkytuje žiadne náhradné diely, vzhľadom na skutočnosť, že Technická podpora je jediná strana oprávnená otvoriť a/alebo opraviť akýkoľvek Thrustmaster produkt (Výnimkou je prípadné požiadanie Technickej podpory o nasledovanie písomných pokynov na opravu, ktoré má vykonať užívateľ - napríklad pre ich jednoduchosť a dostupné opravné postupy – a v prípade potreby dodanie náhradných dielov užívateľovi).

Kvôli inovačným cyklom a vzhľadom na ochranu know-how a obchodného tajomstva spoločnosti, Guillemot neposkytuje opravné postupy alebo náhradné diely na Thrustmaster produkty po uplynutí ich záručnej lehoty.

V Spojených štátoch amerických a v Kanade je táto záruka obmedzená na vnútorný mechanizmus výrobku a vonkajší kryt produktu. Guillemot ari jeho pridružené spoločnosti v žiadnom prípade nenesú zodpovednosť voči akékoľvek tretej strane za priame či nepriame vady plynúce z porušenia podmienok záruky. V niektorých krajinách, kde nie je prípustné obmedzenie alebo vylúčenie nepriamych škôd, či obmedzenie trvania záruk a podmienok, vyššie uvedené vylúčenie neplatí. Touto zárukou sú užívateľovi poskytnuté špecifické práva spolu s právami plynúcimi z právnej úpravy jednotlivých krajín.

## Zodpovednosť

Ak to dovoľujú platné zákony, spoločnosť Guillemot Corporation S.A. (ďalej len "Guillemot") a jej dcérske spoločnosti nenesú žiadnu zodpovednosť za akékoľvek škody spôsobené jedným alebo viacerými z nasledujúcich prípadov: (1) výrobok bol upravený, otvorený alebo pozmenený; (2) nedodržali sa montážne inštrukcie; (3) nevhodné alebo hrubé používanie, nedbalosť, nehoda (napríklad náraz); (4) bežné opotrebenie; (5) používanie výrobku na akékoľvek iné použitie ako na domáce použitie, a to aj na profesionálne, alebo komerčné účely (napríklad herne, školenia, súťaže). Ak to dovoľujú platné zákony, spoločnosť Guillemot a jej dcérske spoločnosti nenesú žiadnu zodpovednosť za akékoľvek škody, ktoré nesúvisia s materiálnoú alebo výrobnou vadou vo vzťahu k výrobku (vrátane, nie však výlučne, za akékoľvek škody spôsobené priamo alebo nepriamo akýmkoľvek softvérom, alebo kombinácie výrobku Thrustmaster s akýmkoľvek nevhodným prvkom, vrátane napájacích zdrojov, nabíjateľných batérií, nabíjačiek alebo iných prvkov, ktoré Guillemot nedodáva pre tento výrobok).

**THRUSTMASTER®**

**TECHNICKÁ PODPORA**

<https://support.thrustmaster.com>



## COPYRIGHT

© 2020 Guillemot Corporation S.A. Všetky práva vyhradené. Thrustmaster® je registrovanou ochrannou známkou spoločnosti Guillemot Corporation S.A. Windows® je registrovaná ochranná známka spoločnosti Microsoft Corporation v USA a/alebo v iných krajinách.

AIRBUS, jeho logo, produktové a servisné značky sú registrované ochranné známky spoločnosti Airbus. Všetky práva vyhradené.

© Airbus 2020. Všetky práva vyhradené. Oficiálne licencované spoločnosťou Airbus.

Každé ďalšie ochranné známky sú majetkom ich príslušných vlastníkov. Ilustrácie nie sú záväzné. Obsah, dizajn a špecifikácie sa môžu zmeniť bez predchádzajúceho upozornenia a môžu sa v jednotlivých krajinách líšiť. Vyrobené v Číne.

Oficiálne licencovaný produkt Úradom vojenského letectva. Schválenie Vzdušnými silami Spojených štátov nie je ani zamýšľané, ani naznačené.

## ODPORÚČANIE PRE OCHRANU ŽIVOTNÉHO PROSTREDIA



\* V Európskej únii: Na konci svojej životnosti by sa nemal tento produkt vyhodiť s bežným domovým odpadom, ale mal by byť odovzdaný na recykláciu v zbernom mieste na likvidáciu odpadu z elektrických a elektronických zariadení. Potvrdzujúci symbol o recyklácii nájdete na produkte, na návode na použitie alebo na obale. V závislosti od ich vlastností, môžu byť materiály recyklované. Prostredníctvom recyklácie a iných foriem spracovania odpadu z elektrických a elektronických zariadení môžete významne prispieť k ochrane životného prostredia. Pre získanie informácie o pre vás najbližšom možnom mieste odovzdania, kontaktujte miestne orgány.

Pre všetky ostatné krajiny: Dodržujte miestne zákony o recyklácii elektrických a elektronických zariadení.

Ponechajte si tieto informácie. Farby a ozdobnosť sa môžu líšiť.

Plastové spony a lepiace pásky by sa mali z výrobku pred jeho použitím odstrániť.

Tento produkt vyhovuje všetkým normám týkajúcich sa detí vo veku 14 rokov a starších. Tento výrobok nie je vhodný pre deti mladšie ako 14 rokov.

[www.thrustmaster.com](http://www.thrustmaster.com)

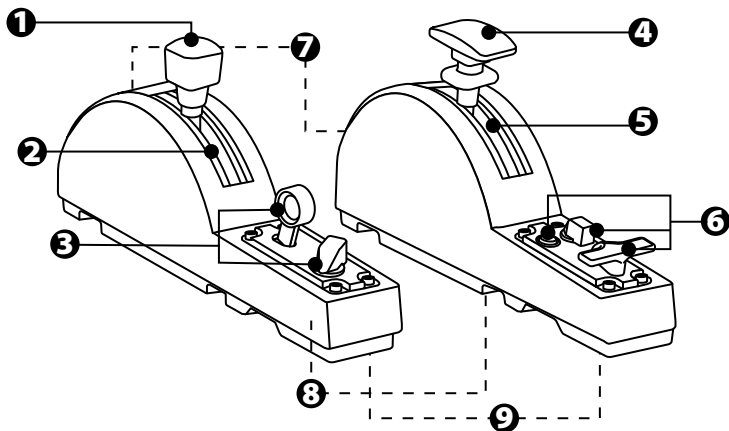
\*Použiteľné len pre EÚ a Turecko

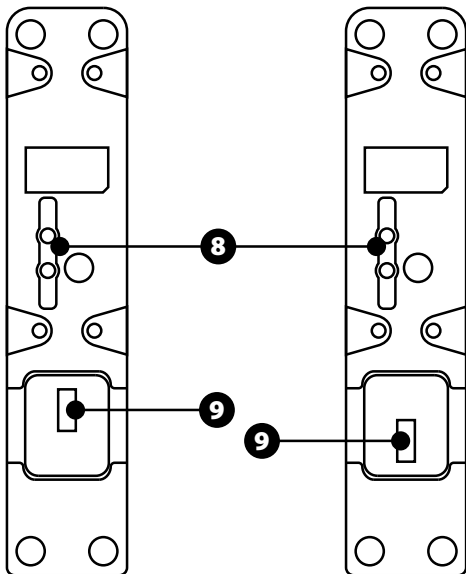


# TCA QUADRANT ADD-ON AIRBUS EDITION

Használati útmutató

## MŰSZAKILEÍRÁS

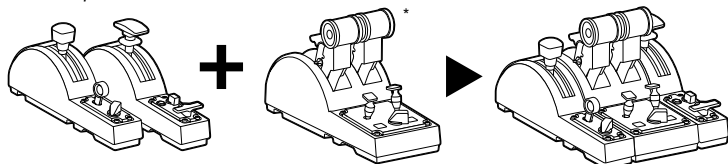




- |   |  |
|---|--|
| 1. Szárnyfék tengely                                  | 6. 4 akciógomb   |
| 2. 4 detent (módváltó) a tengelyen + 5 virtuális gomb | 7. Sűrűdást állító csavar modulonként                              |
| 3. 6 akciógomb  | 8. A módváltó ki/bekapcsolása tengelyenként                        |
| 4. Féklap tengely                                     | 9. SATA csatlakozó TCA Quadrant Airbus Edition-höz (külön kapható) |
| 5. 4 detent (módváltó) a tengelyen                    |  |

## A TCA QUADRANT ADD-ON AIRBUS EDITION MODUL CSATLAKOZTATÁSA A TCA QUADRANT AIRBUS EDITION\*-HÖZ

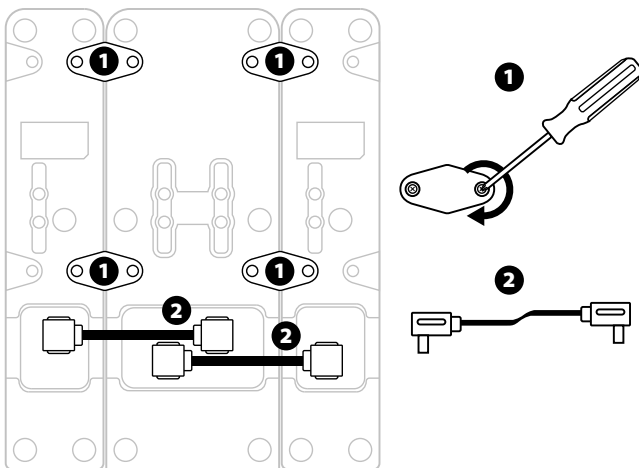
\*Külön kapható

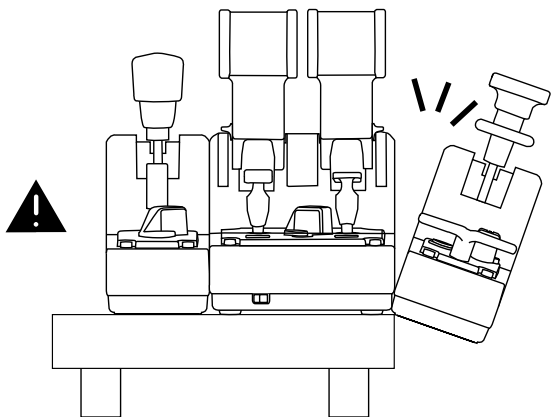
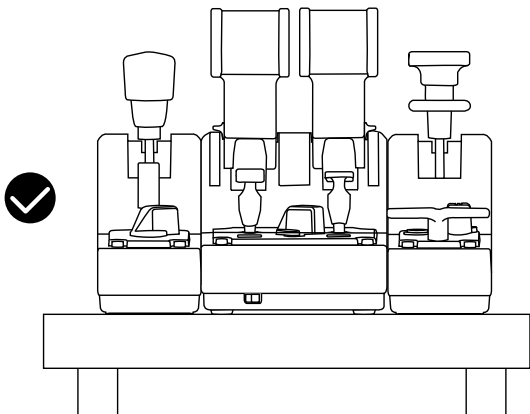


A TCA Quadrant Add-On Airbus Edition modul, csak abban az esetben tudja használni, ha rendelkezik egy TCA Quadrant Airbus Edition termékkel (külön kapható). A TCA Quadrant Add-On Airbus Edition modul a TCA Quadrant Airbus Edition quadrant gázkar kiegészítője és csak akkor működik, ha a TCA Quadrant Airbus Edition mindkét oldalához csatlakoztatva van.

Ez a több modulós megoldás új tengelyek és akciógombok használatát teszi lehetővé és a TCA Quadrant Airbus Edition kinematikáját javítja (felszállás, repülés és leszállás).

1. Minden eszközt fordítson fejjel lefelé és a csavartípus fejének megfelelő csavarhúzóval (nem tartalmazza) csavarja a TCA Quadrant Airbus Edition és a TCA Quadrant Add-On Airbus Edition modulokhoz tartozó 4 rögzítőt, a modulok összekapcsolásához.
2. TCA Quadrant Add-On Airbus Edition-höz tartozó SATA kábellel csatlakoztassa a szárnyfék modul a TCA Quadrant Airbus Edition bal, míg a féklapokat a jobb oldalához.





- Mindig a csavarfejjel megegyező csavarhúzózt (nem tartalmazza) használja a ki/bezsavaráshoz, hogy elkerülje a termék sérülését.
- Csak a Thrustmaster által küldött hivatalos kábeleket használja: a segítségükkel szükség esetén frissítheti TCA Quadrant Airbus Edition firmware-jét.
- Soha ne helyezze a TCA Quadrant Airbus Edition mellé a TCA Quadrant Add-On Airbus Edition modulokat úgy, hogy azok az asztallap szélén legyenek.

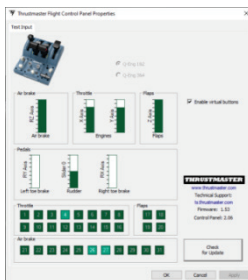
## TELEPÍTÉS PC-RE

1. Látogasson el a <https://support.thrustmaster.com/> weboldalra. Kattintson a **Joysticks / TCA Quadrant Airbus Edition-re** (vagy a **TCA Quadrant Add-On Airbus Edition-re**), majd válassza ki a **Drivers-t**. Töltse le és telepítse a PC illesztőprogramot és az egyedi felhasználói felületet a Windows Vezérlőpultra.
2. Miután a PC illesztőprogram telepítése megtörtént, csatlakoztassa a TCA Quadrant Airbus Edition USB csatlakozóját a PC egyik USB portjához.
3. A Vezérlőpult eléréséhez kattintson a **Start / Alkalmazások / Thrustmaster / Vezérlőpultra** (Windows® 10 / 8.1 / 8-ban).

Megjelenik a **Játékvezérlő** párbeszédpanel.

A kiegészítő megjelenik a képernyőn **TCA Q-Eng 1&2** névvel (vagy **TCA Q-Eng 3&4** névvel, a TCA Quadrant Airbus Edition motor kiválasztó kapcsoló állásának függvényében [5]), **OK** státusszal.

4. A **Játékvezérlő** párbeszédpanelben kattintson a **Tulajdonságokra**, hogy megnézhesse és tesztelhesse a TCA Quadrant Add-On Airbus Edition modulokhoz tartozó funkciókat.



**Enable virtual buttons (A virtuális gombok engedélyezése):** Ez a funkció lehetővé teszi a quadrant gázkaron és a szárnyfék modul tengelyen található virtuális gombok ki/bekapcsolását. Kattintson az **Apply-ra** (Alkalmaz) miután kiválasztotta a használni kívánt módot.

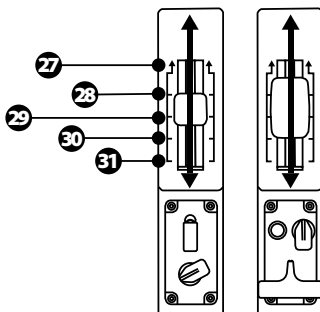
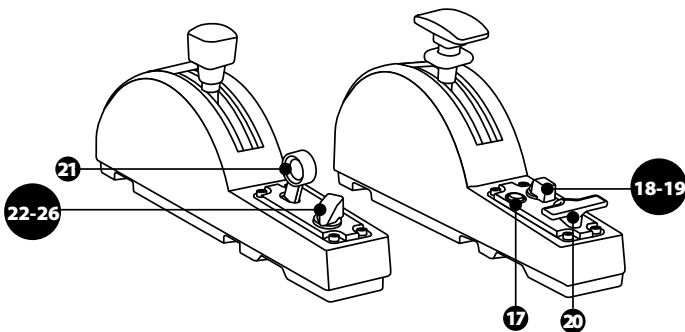
**Már játszhat is!**



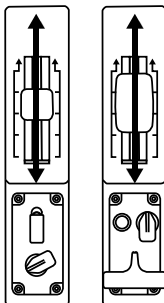
- A TCA Quadrant Add-On Airbus Edition modult, csak abban az esetben tudja használni, ha rendelkezik egy TCA Quadrant Airbus Edition termékkel (külön kapható).
- Látogasson el a <https://support.thrustmaster.com> weboldalra és töltsse le az illesztőprogramot tartalmazó csomagot, ami lehetővé teszi a termék firmware-jének frissítését és így a termék funkcióit még jobban ki tudja használni.



# A TCA QUADRANT ADD-ON AIRBUS EDITION MODULOK 15 GOMBJÁNAK ÉS 2 TENGELYÉNEK GOMBKIOSZTÁSA



0 up  
ZR  
65536 down



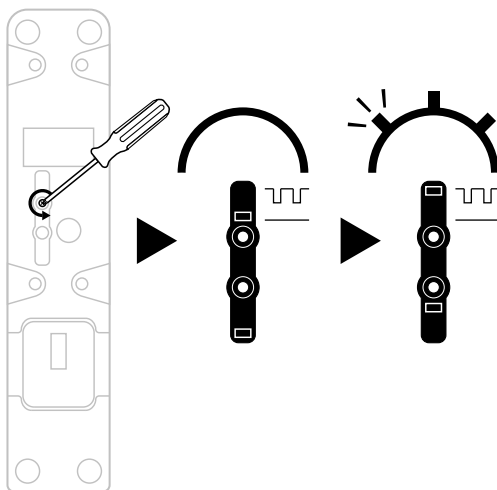
0 up  
Z  
65536 down

## VÁLTOZTATÁSOK A TCA QUADRANT ADD-ON AIRBUS EDITION MODULOK TENGYELÉN

A TCA Quadrant Add-On Airbus Edition quadrant gázkar mechanikus kiválasztója lehet őv é teszi a módváltó/fogazat kikapcsolását tengelyenként. Ennek köszönhetően a tengelyek simák lesznek, miközben a 27-31-es virtuális gombok megmaradnak a sebességfék modulon.

Ez az opció lehetővé teszi, hogy megváltoztassa a vezetés élményét attól függően, hogy milyen típusú repülőgéppel repül a szimulációban (kereskedelmi vagy polgári repülőgép).

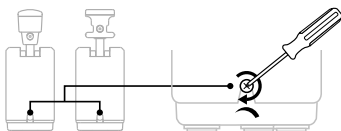
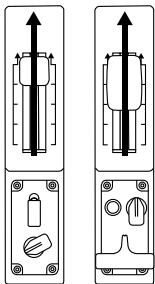
1. Fordítsa a TCA Quadrant Add-On Airbus Edition-t fejjel lefelés és egy megegyező fejű csavarhúzóval használva (nem tartalmazza) csavarja ki a kiválasztóhoz tartozó csavart.
2. Cserélje meg a kiválasztók helyzetét az irányjelző alapján: ez lehetővé teszi a sima tengely vagy a módváltókkal/fogazattal ellátott tengely kiválasztását a TCA Quadrant Add-On Airbus Edition modulok tengelyein.



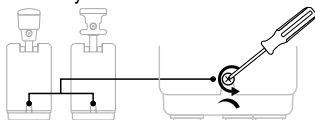
# A SÚRLÓDÁS BEÁLLÍTÁSA

## FONTOS MEGJEGYZÉSEK:

- A TCA Quadrant Add-On Airbus Edition modulok sűrűdása alapértelmezettként 50%-ra van állítva.
  - Annak érdekében, hogy az igénye szerint pontosan be tudja állítani a sűrűdást a sűrűdást állító csavar segítségével, használjon egy a csavarral megegyező fejű csavarhúzó (nem tartalmazza), vagy a TCA Quadrant Airbus Edition-höz tartozó rögzítő kulcsot.
1. Nyomja mindkét TCA Quadrant Add-On Airbus Edition modul tolóerő szabályozóját a maximális értékre, így hozzáférhet a modulok hátulján található sűrűdást állító csavarhoz.
  2. A sűrűdás mértékének a növeléséhez, fordítsa a sűrűdást állító csavart az óra mutató járásával megegyező irányba.



3. A sűrűdás mértékének a csökkentéséhez, fordítsa a sűrűdást állító csavart az óra mutató járásával ellenkező irányba.

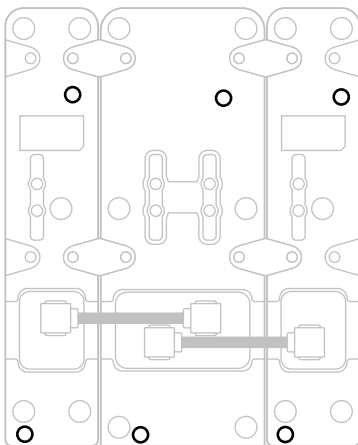


- A sűrűdást szabályzó rendszer könnyen megsérülhet, ha túlhúzza a sűrűdást állító csavart: hagyja abba a csavarást, amint ellenállást érzel.
- Soha ne csavarja ki teljesen az állító csavart, nehogy beleessen bármelyik TCA Quadrant Add-On Airbus Edition modulba.

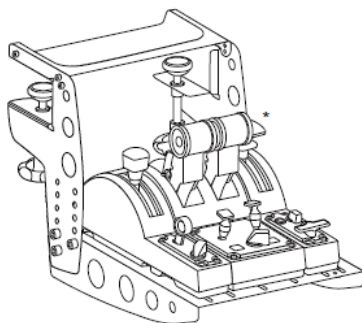
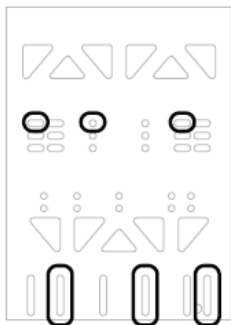
# A TCA QUADRANT AIRBUS EDITION\* ÉS A TCA QUADRANT ADD-ON AIRBUS EDITION MODULOK RÖGZÍTÉSE A TM FLYING CLAMP\*-HEZ, PILÓTAFÜLKÉBE\* VAGY EGYÉB ASZTALFELÜLETRE

\*Külön kapható

A TCA Quadrant Add-On Airbus Edition modulokhoz rögzítve, használja a TCA Quadrant Airbus Edition alján található 6 lyukat az eszközök egyéb asztalfelületre való rögzítéséhez M6-os csavart használva (nem tartalmazza).



TM Flying Clamp\* (\*külön kapható) csatlakoztatási ábra:



# T.A.R.G.E.T KORSZERŰ PROGRAMOZÓ SZOFTVER

## (Thrustmaster Advanced pROgramming Graphical EdiTOR)

Látogasson el a <https://support.thrustmaster.com> weboldalra. Kattintson a **Joysticks / TCA Quadrant Airbus Edition-re** (vagy a **TCA Quadrant Add-On Airbus Edition-re**), majd válassza ki a **Software-t**. Töltsse le és telepítse a T.A.R.G.E.T korszerű programozó szoftverjét.

A T.A.R.G.E.T legfontosabb jellemzői:

- A tengelyek különböző konfigurációs lehetőségei.
- Különböző programozási szintek: Basic, Advanced és Script.
- A „Drag and Drop” (Húzás) alapvető alkalmazása.
- Lehetővé teszi a TCA Quadrant Airbus Edition quadrant gázkar használatát más Thrustmaster joystickokkal (HOTAS Cougar, HOTAS Warthog, T.16000M, MFD Cougar Pack, mindegyik kompatibilis a T.A.R.G.E.T-el), melyeket egyszerű USB eszközként ismer fel.
- Hozzáférést biztosít a Thrustmaster közösség által létrehozott haladó profilokhoz.



## HIBAEHÁRÍTÁS ÉS FIGYELMEZTETÉS



Látogasson el a <https://support.thrustmaster.com> weboldalra és töltsse le az illesztőprogramot tartalmazó csomagot, ami lehetővé teszi a termék firmware-jének frissítését és így a termék funkcióit még jobban ki tudja használni.

- **A TCA Quadrant Add-On Airbus Edition modulok nem működnek rendesen vagy nincsenek megfelelően kalibrálva, a TCA Quadrant Airbus Edition-höz csatlakoztatva.**
  - A <https://support.thrustmaster.com> weboldalon ellenőrizze, hogy van-e új firmware frissítés: ha igen, akkor kövesse a telepítésre és letöltésre vonatkozó utasításokat.
  - Kapcsolja ki a PC-t és húzza ki a TCA Quadrant Airbus Edition quadrant gázkar USB csatlakozóját. Ellenőrizze, hogy mindkét SATA kábel megfelelően van az eszközökhöz csatlakoztatva.
  - Kapcsolja ki a PC-t és húzza ki a TCA Quadrant Airbus Edition quadrant gázkar USB csatlakozóját. Majd csatlakoztassa újra az USB csatlakozót, kapcsolja be a PC-t és indítsa újra a játékot.
  - Amikor a TCA Quadrant Airbus Edition quadrant gázkar USB-jét csatlakoztatja, mindig hagyja az oldalkormány tengelyt középállásban, amennyiben, a TFRP oldalkormány rendszert használja (külön kapható): soha ne tegye a lábát a TFRP oldalkormány rendszer pedáljaira a csatlakoztatás során.
- **Nem tudom a TCA Quadrant Add-On Airbus Edition modulokat a TCA Quadrant Airbus Edition quadrant gázkarral konfigurálni.**
  - A játék Options / Controller / Gamepad vagy Joystick menüjében, válassza ki a megfelelő beállítást vagy teljesen konfigurálja újra a kontrollert.
  - A <https://support.thrustmaster.com> weboldalon ellenőrizze, hogy van-e új firmware frissítés: ha igen, akkor kövesse a telepítésre és letöltésre vonatkozó utasításokat
  - További információért olvassa el a játék használati útmutatóját vagy használja az online segítséget.
  - Használja a T.A.R.G.E.T (Thrustmaster Advanced Programming Graphical Editor) korszerű programozó szoftvert.
- **A TCA Quadrant Add-On Airbus Edition modulok túl érzékenyen, vagy nem elég érzékenyen reagálnak.**
  - A TCA Quadrant Add-On Airbus Edition modulok automatikusan bekalibrálják magukat pár mozdulat után és miután a tengelyek elérték a fizikai határaikat.
  - A játék Options / Controller / Gamepad vagy Joystick menüjében, állítsa be a controller érzékenységet és a holtjátékot (ha van ilyen lehetőség).
  - Használja a T.A.R.G.E.T (Thrustmaster Advanced Programming Graphical Editor) korszerű programozó szoftvert.



Az eszközök kizárólag szórakoztató játék célra lettek tervezve. Az eszközöket szigorúan tilos szakmai tréning céljára használni.

## TERMÉKSZAVATOSSÁGI TÁJÉKOZTATÓ

A franciaországi központú Guillemot Coporation S.A. (továbbiakban "Guillemot") (székhelyének címe: Place du Granier, B.P. 97143, 35571 Chantepie, Franciaország) világszerte garanciát vállalja a vásárlóinak, hogy a Thrustmaster által forgalmazott termék anyag és gyártási hibáktól mentes és a meghatározott szavatossági időn belül a termékkel szemben a cég eljár, ha szükséges. Az Európai Unió országain belül ez a szavatossági idő a Thrustmaster termék kiszállításától számított két (2) év. Más országokban, a Thrustmaster termékekre vonatkozó szavatossági időre azon helyi jogszabályok alkalmazandók, ahol a vásárló a vásárlás ideje alatt állandó jelleggel tartózkodott (ha a szóban forgó országnak nincsen ilyen jellegű törvénykezése, abban az esetben a Thrustmaster termék eredeti idejének vásárlásától számítva a szavatossági idő egy (1) év).

A fent meghatározottak ellenére, az akkumulátorok szavatossági ideje a vásárlástól számított hat (6) hónapon belül lejár.

Amennyiben a szavatossági idő alatt a termékben meghibásodást észlel, úgy azonnal lépjen kapcsolatba a Vevőszolgálattal és ők megmondják mit kell tennie. Ha a meghibásodást jóváhagyják, a terméket vissza kell vinnie a vásárlás helyszínére (vagy a Vevőszolgálat által kijelölt helyre).

A jótállás keretein belül, a vásárló hibás termékét a Vevőszolgálat vagy kicseréli, vagy megjavítja. Ha a szavatossági időn belül a Thrustmaster termék javítás alatt áll legalább (7) hét napig, abban az esetben, a kiesett napok számával a szavatossági idő meghosszabbítható (ezt az időszakot az alábbiak szerint kell számolni: vagy attól a dátumtól kezdve amikor a vásárló panaszt tett vagy attól a dátumtól kezdve, amikor a termék javításra átadásra került, amennyiben ez a dátum nem esik egybe a panasztétel időpontjával). Ha az alkalmazandó jogszabályok megengedik, a Guillemot és a leányvállalatai (közvetett károkat is beleértve) egyaránt a Thrustmaster termék helyreállítására vagy annak a kicserélésére kell, hogy törekedjen. Ha az alkalmazandó jogszabályok megengedik, Guillemot a termék felhasználhatóságával és rendeltetésével kapcsolatban nem vállal garanciát.

A termékszavatosság nem érvényes: (1) ha a terméket bármilyen formában módosították, felnyitották, nem rendeltetészerűen használták, egyéb külső sérüléseknek tették ki, gondatlansággal kezelték vagy normális mértékben elhasználódott és az ebből fakadó károk nem vezethetőek vissza a termék gyári meghibásodásra (beleértve, de nem kizárólagosan azt az esetet, amikor a Thrustmaster terméket valamilyen nem a Guillemot által forgalmazott tápegységgel, akkumulátorral, töltővel vagy egyéb eszközzel használták); (2) ha a terméket nem csak saját használatra, hanem szakmai vagy kereskedelmi célokra is felhasználták (pl.: játékszoba, tréning, versenyek); (3) ha a vásárló nem követte a Vevőszolgálat utasításait (4) szoftver hiba esetén. Arra más módon meghatározott jótállás érvényes; (5) fogyóeszközökre (olyan eszközök, amelyeket a termék élettartama alatt kell cserélni. Pl.: eldobható elemek, fejhallgató vagy headset fülpáma); (6) kiegészítőkre (pl.: kábelek, tokok, tasakok, táskák, csukló rögzítők); (7) ha a terméket aukció során vásárolták meg.

A jótállás nem átruházható.

A vásárló törvényes jogaira nincs hatással a termékszavatosság, akármilyen törvények is vonatkoznak a saját országában megvásárolt termékekre.

## **További termékszavatossággal kapcsolatos rendelkezések**

A szavatossági idő alatt, Guillemot semmiféle alkatrészt nem bocsájthat a vásárló részére, mivel csak a Vevőszolgáltatásnak van kizárólagos joga ahhoz, hogy felnyisson és/vagy megszereljen akármilyen Thrustmaster terméket (kivéve a képez az az eset, amikor a Vevőszolgáltatás külön írásos instrukciókkal látja el a vásárlót a szerelést illetően és az ehhez szükséges alkatrészeket is a rendelkezésére bocsájta pl.: ha nagyon egyszerű és titoktartást nem igénylő szerelési folyamatról van szó.)

Az innovációs ciklusra való tekintettel és a termék szabadalmának, illetve az üzleti titkának védelme érdekében, Guillemot nem tesz ígéretet olyan Thrustmaster termék javítására és nem szolgáltat hozzá alkatrészt, amelynek a termékszavatossága már lejárt.

Az Amerikai Egyesült Államokban és Kanadában a termékszavatosság csak a termék belső szerkezetére és a készülékházra terjed ki. Sem Guillemot, sem a partnerei nem vonhatóak felelőségre egy harmadik fél által, a közvetlen vagy közvetett garancia megszegése miatt fellépő esetleges károk miatt. Némely Államokban/Tartományokban nincs szabályozva, hogy mikor jár le a közvetett termékszavatosság vagy nincs meghatározva a felelőség mértéke vagy annak teljes kizárása közvetett vagy véletlenszerű károk okozása esetén. Ebben az esetben a fentebb említett szabályozások és kizárások nem vonatkoznak Önre. A termékszavatosság különleges törvényi jogokkal ruházza Önt fel, illetve más jogok is megilletik, amelyek államonként és tartományonként eltérhetnek.

## **Felelősségvállalás**

Ha az alkalmazandó jogszabályok megengedik, a Guillemot Corporation S.A. (továbbiakban "Guillemot") és leányvállalatai nem vállalnak semmiféle felelőséget, ha a károk az alábbiak szerint keletkeztek: (1) a terméket bármilyen formában módosították vagy felnyitották; (2) nem tartották be az összeszerelési utasítást; (3) a terméket nem rendeltetésszerűen használták, egyéb külső sérüléseknek tették ki (pl.: nyomásnak), gondatlanul kezelték; (4) a termék normális mértékben használdott el; (5) a terméket nem csak saját használatra, hanem szakmai vagy kereskedelmi célokra is felhasználták (pl.: játékszoba, tréning, versenyek). Amennyiben az alkalmazandó jogszabályok lehetővé teszik, úgy Guillemot és a leányvállalatai nem vállalnak felelőséget azon károkért, amelyek nem a termék minőségi vagy gyártási problémájából fakadnak. (beleértve, de nem kizárólagosan azt az esetet, amikor a károkat direkt vagy indirekt módon egy szoftver okozza vagy a Thrustmaster terméket valamilyen nem a Guillemot által forgalmazott tápegységgel, akkumulátorral, töltővel vagy egyéb eszközzel használták.)

**THRUSTMASTER®**

**VEVŐSZOLGÁLAT**

<https://support.thrustmaster.com>





## SZERZŐI JOG

© 2020 Guillemot Corporation S.A. Minden jog fenntartva. Thrustmaster® a Guillemot Corporation S.A. bejegyzett védjegye. Windows® a Microsoft Corporation által jegyzett védjegy az egész USA-ban és más országokban is.

Az AIRBUS logó és termék és szolgáltatási védjegy az Airbus regisztrált védjegyei. Minden jog fenntartva.

© Airbus 2020. Minden jog fenntartva. Az Airbus hivatalos licence.

Minden más védjegy a tulajdonos tulajdonában áll. Az illusztrációk nem kötelező érvényűek. A tartalom, design és specifikáció bármikor módosíthatók további értesítés nélkül és országonként eltérhetnek. Kínában készült.

A légielő által hivatalosan engedélyezett termék. Az amerikai légielő beleegyezése nem szükséges.

## KÖRNYEZETVÉDELMI AJÁNLÁS



\* Az Európai Unión belül: ha a termék élettartama lejárt, ne dobja ki a háztartási szeméttel együtt, hanem adja le egy az elektromos és elektronikus berendezések hulladékának újrafelhasználásáért felelős gyűjtőponton. (WEEE) Ezt az alábbi ikon is jelöli, amit a terméken, használati útmutatón és csomagoláson is megtalál.

Az anyag sajátosságaitól függően, újrafelhasználásra lehet alkalmas. Az újrafelhasználással és azzal, hogy az elektromos és elektronikus berendezések hulladék megsemmisítésének a módját követi, jelentősen hozzájárul a környezete védelméhez. Lépjen kapcsolatba a helyi önkormányzattal, hogy hol található az Önhöz legközelebbi gyűjtőpont.

Nem Európai Unió országokban: Vegye figyelembe a helyi elektromos és elektronikus hulladék újrafelhasználásra vonatkozó törvényt.

Őrizze meg a tájékoztatót. A színek és díszítés eltérhetnek.

Távolítsa el a műanyag rögzítőket és ragasztószalagokat a használatba vétel előtt.

A termék minden tekintetben megfelel a 14 éves vagy annál idősebb gyerekeknek. A termék 14 alatti gyerekek használatára nem ajánlott.

**[www.thrustmaster.com](http://www.thrustmaster.com)**

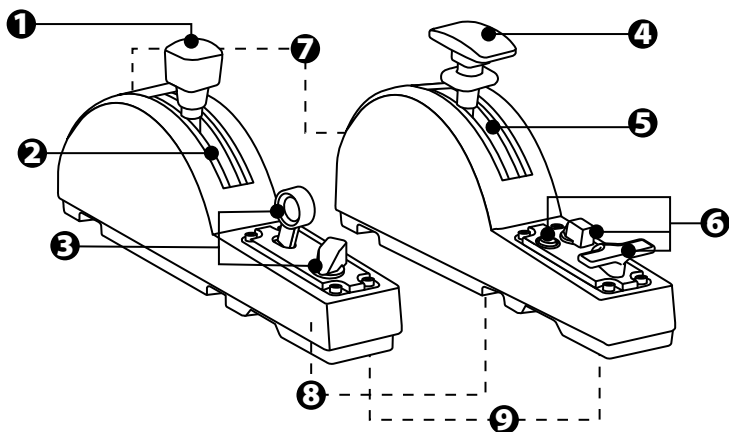
*\*EU-ban és Törökországban alkalmazható*

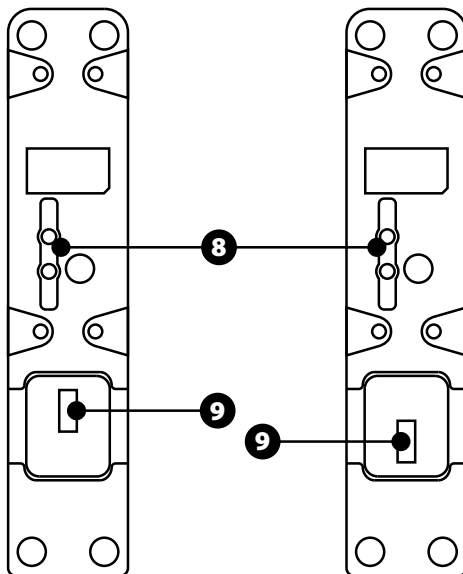


# TCA QUADRANT ADD-ON AIRBUS EDITION

מדריך למשתמש

מאפיינים טכניים

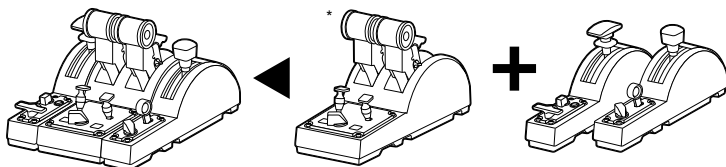




- |   |   |
|---|---|
| 6. 4 לחצני פעולות   | 1. ציר בלם מהירות (מעצור אוויר)         |
| 7. בורג להתאמת החיכוך בכל מודול                             | 2. 4 מעצורים בציר + 5 לחצנים וירטואליים |
| 8. מנגנון להשבתה/הפעלה של המעצורים בכל ציר                  | 3. 6 לחצני פעולות                       |
| 9. מחברי SATA עבור TCA Quadrant Airbus Edition (נמכר בנפרד) | 4. ציר מדפים                            |
|   | 5. 4 מעצורים בציר                       |

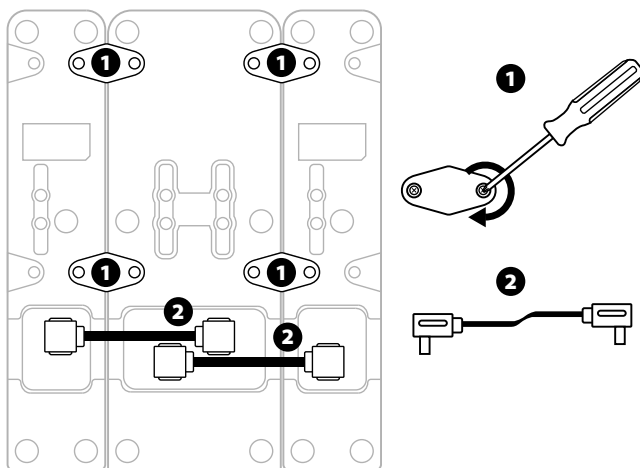
## חיבור מודולי TCA QUADRANT ADD-ON AIRBUS EDITION ל- \*TCA QUADRANT AIRBUS EDITION

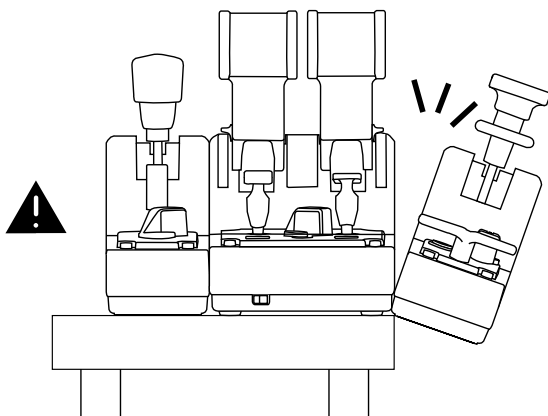
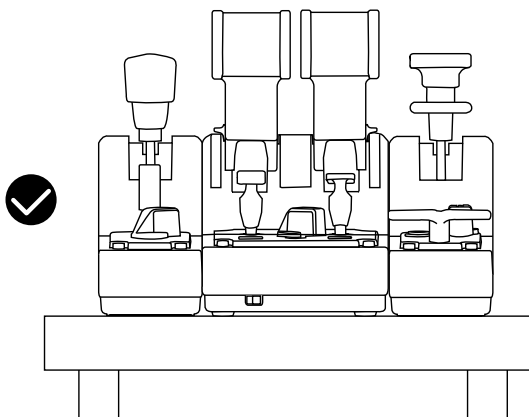
\*נמכר בנפרד



על מנת להשתמש במודולי TCA Quadrant Add-On Airbus Edition, עליך להחזיק ב-TCA Quadrant Airbus Edition (נמכר בנפרד). מודולי TCA Quadrant Add-On Airbus Edition מהווים הרחבה למצערת TCA Quadrant Airbus Edition, ופועלים רק כאשר הם מחוברים לשני צדי ה-TCA Quadrant Airbus Edition. מודולריות זו מוסיפה צירים ולחצני פעולות חדשים, ומאפשרת להרחיב את יכולות התנועה (המראה, טיסה ונחיתה) של ה-TCA Quadrant Airbus Edition.

1. הופכים את כל ההתקנים, ובאמצעות מברג עם צורת ראש מתאימה (לא מצורף), מבריגים את ארבעת חלקי החיבור המצורפים למודולי TCA Quadrant Airbus Edition ו-TCA Quadrant Add-On Airbus Edition, על מנת לחבר הכול יחדיו.
2. מחברים את מודול בלם המהירות לצד השמאלי של ה-TCA Quadrant Airbus Edition ואת מודול המדפים לצד הימני, באמצעות כבלי ה-SATA המצורפים ל-TCA Quadrant Add-On Airbus Edition.





- כדי למנוע נזק למוצרים, יש להשתמש במברג עם צורת ראש מתאימה (לא כלול) לצורך הידוק/פתיחה של הברגים.
- יש להשתמש אך ורק בכבלים רשמיים המסופקים על ידי Thrustmaster: כך תהיה לך אפשרות לעדכן את הקושחה של ה-TCA Quadrant Airbus Edition בעת הצורך.
- אסור למקם את ה-TCA Quadrant Airbus Edition כאשר אחד ממודולי TCA Quadrant Add-On Airbus Edition קרוב לקצה השולחן או תלוי מעבר לו.

## התקנה במחשב אישי (PC)

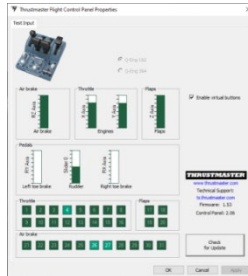
1. נכנסים לאתר <https://support.thrustmaster.com>. לוחצים על Joysticks / TCA Quadrant Airbus Edition (או על TCA Quadrant Add-On Airbus Edition), ובוחרים Drivers (מנהלי התקנים). מורידים ומתקינים את מנהל ההתקן ל-PC ואת הממשק המותאם ללוח הבקרה של Windows.

2. לאחר התקנת מנהל ההתקן ל-PC, מחברים את מחבר ה-USB של ה-TCA Quadrant Airbus Edition לאחת מיציאות ה-USB של המחשב.

3. על מנת לגשת ללוח הבקרה, לוחצים על התחל / אפליקציות / Thrustmaster / לוח הבקרה (ב-Windows® 10/8.1/8).

תיבת הדו-שיח בקרי משחק תופיע.  
האביזר מופיע במסך תחת השם TCA Q-Eng 1&2 (או TCA Q-Eng 3&4), בהתאם למיקום המתג הבורר למנועים [5] ב-TCA Quadrant Airbus Edition), יחד עם סטטוס OK (תקין).

4. בתיבת הדו-שיח בקרי משחק, לוחצים על מאפיינים כדי לבדוק ולהציג את כל התכונות, כולל אלה הקשורות למודולי TCA Quadrant Add-On Airbus Edition.

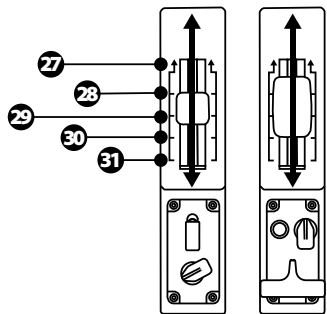
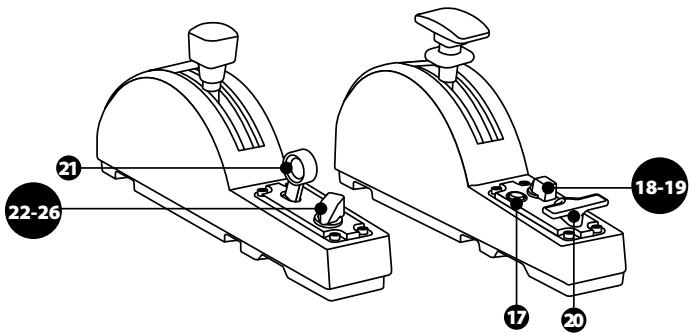


**Enable virtual buttons (אפשר להצנים וירטואליים):** תכונה זו מאפשרת להפעיל או להשבית את להצנים הווירטואליים הזמינים על הצירים של המצערת ושל מודול בלם המהירות. לאחר בחירת המצב הרצוי לשימוש, יש לחלוץ על **Apply (החל)**.  
**עכשיו הכול מוכן למשחק!**

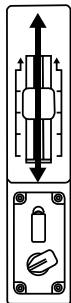


- על מנת להשתמש במודולי TCA Quadrant Add-On Airbus Edition, עליך להחזיק ב-TCA Quadrant Airbus Edition (נמכר בנפרד).  
- ניתן לבקר באתר <https://support.thrustmaster.com> כדי להוריד את החבילה שמכילה את מנהלי ההתקנים המאפשרים לעדכן את קושחת המוצר, וכך לקבל שליטה מפורטת יותר בתכונות המוצר.

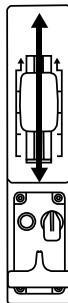
TCA QUADRANT מיפוי 15 הלחצנים ו-2 הצירים של מודולי  
 ADD-ON AIRBUS EDITION



0 סלפאל  
 ZR  
 65536 סט אלל



0 סלפאל  
 Z  
 65536 סט אלל

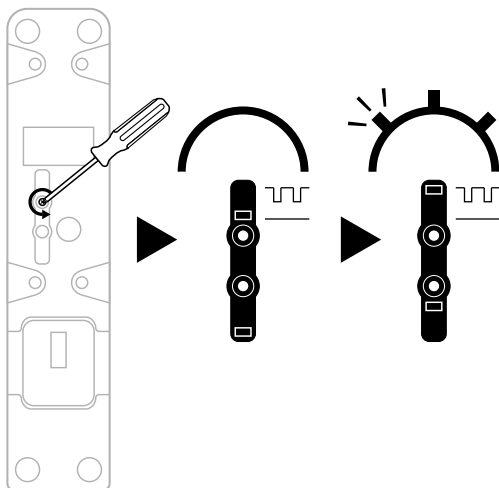


## ביצוע שינויים בצירים של מודולי TCA QUADRANT AIRBUS EDITION

מודולי TCA Quadrant Airbus Edition כוללים בוררים מכניים המאפשרים להשבית את המעצורים/זיזים של כל ציר. הדבר מאפשר תנועה חלקה של הצירים, תוך שמירה על הלחצנים הווירטואליים 27 עד 31 במודול בלם המהירות.

אפשרות זו מאפשרת לשנות את חוויית הטיסה בהתאם לכלי הטיס המשמש אותך בסימולציה (מטוס מסחרי או מטוס אזרחי).

1. הופכים את מודולי TCA Quadrant Add-On Airbus Edition, ומשחררים את שני הברגים של כל אחד מהבוררים באמצעות מברג עם ראש תואם (לא כלול).
2. מחליפים את מיקום הבוררים, בעזרת סימוני ההכוונה: כך ניתן לבחור בין ציר חלק לבין ציר עם מעצורים/זיזים, לכל ציר של מודולי TCA Quadrant Add-On Airbus Edition.



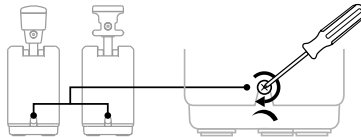
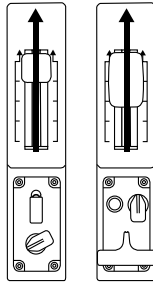


## התאמת החיכוך

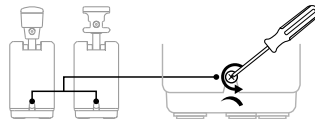
### הערות חשובות:

- החיכוך במודולי TCA Quadrant Add-On Airbus Edition מוגדר ל-50% כברירת מחדל.
- על מנת לאפשר כוונון מדויק בהתאם להעדפותיך, ניתן להשתמש במברג עם ראש מתאים (לא כלול) – או בבריה האופקי המצורף ל-TCA Quadrant Airbus Edition – כדי לסובב את ברגי התאמת החיכוך.

1. דוחפים את שתי ידיות מודול TCA Quadrant Add-On Airbus Edition לפנים עד לערך המקסימלי שלהן, ואז ניגשים לבורג התאמת החיכוך שבגב כל מודול.
2. כדי להגביר את החיכוך, מסובבים את בורג התאמת החיכוך עם כיוון השעון.



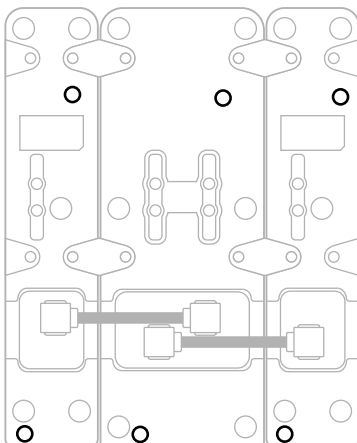
3. כדי להפחית את החיכוך, מסובבים את בורג התאמת החיכוך כנגד כיוון השעון.



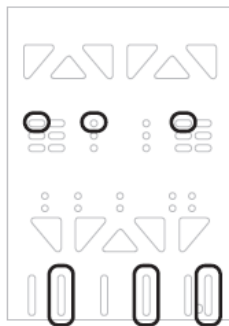
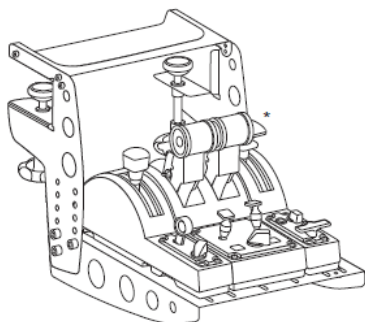
- על מנת למנוע נזק למערכת, יש להיזהר שלא להדק יתר על המידה את ברגי ההתאמה: יש להפסיק לסובב את הברגים כאשר חשים התנגדות.
- אסור לשחרר לחלוטין את בורגי ההתאמה, על מנת למנוע נפילה של הברגים לתוך גוף מודולי TCA Quadrant Add-On Airbus Edition.

**TCA - תא טייס \*TCA QUADRANT AIRBUS EDITION**  
**TM FLYING - תא טייס \*CLAMP**  
 \*נמכר בנפרד

אפשר להשתמש ב-6 החריצים שנמצאים בחלק התחתון של TCA Quadrant Airbus Edition, כשהוא מחובר למודולי TCA Quadrant Add-On Airbus Edition, על מנת לחבר את כל ההתקנים למשטח קבוע, באמצעות ברגי M6 (לא כלול).



תרשים חיבור עבור TM Flying Clamp \* (נמכר בנפרד):



## תוכנת T.A.R.G.E.T לתכנות מתקדם (Thrustmaster Advanced pRogramming Graphical EdiTor)

נכנסים לאתר <https://support.thrustmaster.com> לוחצים על Joysticks / TCA / Quadrant Airbus Edition (או TCA Quadrant Add-On Airbus Edition), ולאחר מכן בוחרים Software (תוכנה). מורידים ומתקינים את תוכנת T.A.R.G.E.T לתכנות מתקדם.

תכנות עיקריות של T.A.R.G.E.T:

- הגדרות תצורה שונות של הצירים.
- אפשרות לרמות תכנות שונות: Basic (בסיסי), Advanced (מתקדם) ו-Script (סקריפט).
- שימוש בשיטת "גרור ושחרר".
- אפשרות לשלב את מצערת TCA Quadrant Airbus Edition עם ג'ויסטיקים שונים מבית Thrustmaster (HOTAS Warthog, HOTAS Cougar, T.16000M, MFD Cougar Pack, שגם הם כולם תואמים ל-T.A.R.G.E.T), מה שמאפשר זיהוי שלהם כמכשיר USB אחד.
- גישה לפרופילים מתקדמים שנוצרו על ידי קהילת Thrustmaster.





ניתן לבקר באתר <https://support.thrustmaster.com> כדי להוריד את החבילה שמכילה את מנהלי ההתקנים המאפשרים לעדכן את קושחת המוצר, וכך לקבל שליטה מפורטת יותר בתכונות המוצר.

• **מודולי TCA Quadrant Add-On Airbus Edition שלי אינם פועלים כהלכה, או נראה שאינם מכילים כראוי, כאשר הם מחוברים ל-TCA Quadrant Airbus Edition.**

- ניתן לבקר באתר <https://support.thrustmaster.com> כדי לבדוק אם זמינה גרסת קושחה עדכנית יותר: אם כן, יש לפעול לפי ההוראות להורדה ולהתקנה שלה.
- מכבים את המחשב ומנתקים את מחבר ה-USB של מצערת TCA Quadrant Airbus Edition. מוודאים ששני כבלי ה-SATA מחוברים כהלכה להתקנים.
- מכבים את המחשב ומנתקים את מחבר ה-USB של מצערת TCA Quadrant Airbus Edition. לאחר מכן, מחברים מחדש את מחבר ה-USB, מפעילים שוב את המחשב, ומפעילים מחדש את המשחק.
- בעת חיבור מחבר ה-USB של מצערת TCA Quadrant Airbus Edition, יש להשאיר את ציר הייצוב ממורכז תמיד, במקרה של שימוש במערכת הייצוב TFRP (למכירה בנפרד): אסור להניח את רגליך על דוושות מערכת הייצוב TFRP בעת ביצוע החיבור.

• **אין באפשרותי להגדיר את תצורת מודולי TCA Quadrant Add-On Airbus Edition שלי באמצעות מצערת TCA Quadrant Airbus Edition.**

- בתפריט Options (אפשרויות) / Controller (בקר משחק) / Gamepad (שלט משחק) או Joystick (מוט היגוי) של המשחק שלך, בחר את התצורה המתאימה או הגדר מחדש את אפשרויות הבקר.
- ניתן לבקר באתר <https://support.thrustmaster.com> כדי לבדוק אם זמינה גרסת קושחה עדכנית יותר: אם כן, יש לפעול לפי ההוראות להורדה ולהתקנה שלה.
- למידע נוסף, ניתן לעיין במדריך למשתמש או בעזרה המקוונת של המשחק שלך.
- ניתן גם להשתמש בתוכנת T.A.R.G.E.T (Thrustmaster Advanced pRogramming) Graphical EdiTor לתכנות מתקדם.

• **מודולי TCA Quadrant Add-On Airbus Edition שלי רגישים מדי, או לא רגישים מספיק.**

- הצירים של מודולי TCA Quadrant Add-On Airbus Edition מבצעים לעצמם כיוול אוטומטי לאחר מספר תנועות, ולאחר שהגיעו למעצורים הפיזיים של הצירים.
- בתפריט Options (אפשרויות) / Controller (בקר משחק) / Gamepad (שלט משחק) או Joystick (מוט היגוי) של המשחק שלך, ניתן להתאים את הרגישות ואת השטחים המתים של הבקר (אם אפשרויות אלה זמינות).
- ניתן גם להשתמש בתוכנת T.A.R.G.E.T (Thrustmaster Advanced pRogramming) Graphical EdiTor לתכנות מתקדם.



התקנים אלו נועדו למטרות משחק ושעשוע בלבד. חל איסור מוחלט להשתמש בהתקנים אלו לפעילויות הכשרה מקצועית.

## פרטי אחריות

Guillemot Corporation S.A., 35571, Chantepie, France (להלן "Guillemot"): מתחייבת לצרכן ברחבי העולם כי מוצר Place du Granier, B.P. 97143 -Thrustmaster יהיה נקי מפגמים בחומרים ובעבודה למשך תקופת האחריות התואמת את פרק הזמן להגשת תביעת תאימות ביחס למוצר זה. במדינות האיחוד האירופי, פרק הזמן האמור הוא שנתיים (2) ממועד אספקת מוצר Thrustmaster. במדינות אחרות, תקופת האחריות תואמת את פרק הזמן להגשת תביעת תאימות ביחס למוצר ה-Thrustmaster על פי החוקים החלים במדינה בה התגורר הצרכן בעת רכישת מוצר ה-Thrustmaster בהיעדר הגדרה כאמור במדינה הרלוונטית, תקופת האחריות תהיה לשנה אחת (1) מתאריך הרכישה המקורי של מוצר ה-Thrustmaster).

על אף האמור לעיל, סוללות נטענות מכוסות בתקופת אחריות בת שישה (6) חודשים מתאריך הרכישה המקורי.

במקרה והמוצר נראה פגום במהלך תקופת האחריות, פנו מייד למחלקת התמיכה הטכנית, אשר תספק לכם הוראות להמשך הטיפול. אם הפגם מאומת, יש להחזיר את המוצר לנקודת הרכישה (או לכל מקום אחר שייקבע על ידי מחלקת התמיכה הטכנית).

במסגרת אחריות זו, המוצר הפגום של הצרכן יוחלף או יתוקן על פי בחירת מחלקת התמיכה הטכנית. אם, במהלך תקופת האחריות, מוצר ה-Thrustmaster נמצא בתיקון, כל תקופה עד שבעה (7) ימים בהם המוצר אינו בשימוש, תוסף ליתרת תקופת האחריות (התקופה מתחילה עם בקשת הצרכן להתערבות או מהתאריך בו המוצר נמסר לתיקון, אם התאריך בו המוצר נמסר לתיקון הוא אחרי תאריך בקשת ההתערבות). במידה והדבר מותר על פי החוק החל, מלוא החבות של Guillemot וחברות הבת שלה (לרבות נזקים תוצאתיים) מוגבלת להחזרת מוצר ה-Thrustmaster לפעולה או החלפתו. במידה והדבר מותר על פי החוק החל Guillemot, מסירה כל אחריות לסחירות או התאמה למטרה מסוימת.

האחריות לא תחול: (1) אם המוצר שונה, נפתח, עודכן או ניזוק כתוצאה משימוש בלתי הולם, רשלנות, תאונה, בלאי סביר או כל גורם אחר שאינו קשור בפגם בחומרים או בייצור) לרבות, אך ללא הגבלה, שילוב מוצר Thrustmaster עם כל מרכיב בלתי הולם, לרבות בעיקר ספקי כוח, סוללות נטענות, מטענים או כל רכיב אחר שאינו מסופק למוצר זה על ידי (2) Guillemot; אם המוצר שימש לכל מטרה שהיא מעבר לשימוש ביתי, לרבות למטרות מקצועיות או מסחריות (למשל, חדרי משחקים, הדרכה, תחרויות); (3) במקרה של אי עמידה בהוראות ממחלקת התמיכה הטכנית; (4) על תוכנה, כאשר התוכנה כפופה לאחריות ספציפית; (5) לרכיבים מתכלים (רכיבים שיוחלפו לאורך חיי המוצר: כגון סוללות חד פעמיות, אוזניות או רפידות לאוזניות); (6) על אביזרים (כגון כבלים, מארזים, תיקים, רצועות); (7) אם המוצר נמכר במכירה פומבית.

האחריות אינה ניתנת להעברה.

אחריות זו לא תשפיע על הזכויות החוקיות של הצרכנים ביחס לחוקים החלים על מכירת מוצרי צריכה בארץ שלהם.

## הוראות אחריות נוספות

בתקופת האחריות Guillemot, לא תספק חלקי חילוף באופן עקרוני שכן מחלקת התמיכה הטכנית היא הגוף היחיד המוסמך לפתוח ו/או לתקן כל מוצר Thrustmaster שהוא (לא כולל נהלי טיפול שעשויה מחלקת התמיכה הטכנית לבקש מהצרכנים בהוראות בכתב - למשל, בשל פשטות התיקון והיעדר הסודיות בתהליך התיקון - ותוך אספקת חלקי) החילוף לצרכנים כנדרש, בהתאם לעניין).

בהתחשב במחזורי החדשנות שלה ובמטרה להגן על הידע והסודות המסחריים שלה, Guillemot לא תספק, באופן עקרוני, כל הודעת תיקון או חלקי חילוף למוצר Thrustmaster שתקופת האחריות לגביו פקעה.

בארה"ב ובקנדה, אחריות זו מוגבלת למנגנון הפנימי ולזיווד החיצוני של המוצר Guillemot. והחברות השותפות לה לא תהיינה אחראיות כלפי צד שלישי בגין נזקים תוצאתיים או נלווים הנובעים מתוך ההפרה של כל התחייבות מפורשת או מרומזת. ישנן מדינות/מחוזות שאינן מאשרות הגבלה על תקופת אחריות מרומזת או החרטה או הגבלת חבות בגין נזקים תוצאתיים או נלווים, לכן ייתכן כי ההגבלות או ההחרגות לעיל אינן חלות עליכם. האחריות מקנה לכם זכויות חוקיות ספציפיות וייתכן שעומדות לרשותכם זכויות נוספות המשתנות ממדינה למדינה או ממחוז למחוז.

## חבות

במידה והדבר מותר על פי חוק) Guillemot Corporation S.A., להלן ("Guillemot"): וחברות הבת שלה מסירות כל חבות בגין נזקים שנגרמו על ידי אחד או יותר מהבאים: (1) המוצר שונה, נפתח או עודכן; (2) אי עמידה בהוראות ההרכבה; (3) שימוש בלתי הולם או בלתי ראוי, רשלנות, תאונה (כגון התנגשות); (4) בלאי סביר; (5) שימוש לכל מטרה שהיא מעבר לשימוש ביתי, לרבות למטרות מקצועיות או מסחריות (למשל, חדרי משחקים, הדרכה, תחרויות). במידה והדבר מותר על פי חוק Guillemot, וחברות הבת שלה מסירות על חבות בגין נזקים שאינם קשורים בפגם בחומרים או בייצור (לרבות, אך ללא הגבלה, נזקים שנגרמו על ידי תוכנה כלשהי באופן ישיר או עקיף, או משילוב מוצר Thrustmaster עם כל מרכיב בלתי הולם, לרבות בעיקר ספקי כוח, סוללות נטענות, מטענים או כל רכיב אחר שאינו מסופק למוצר זה על ידי Guillemot.

**THRUSTMASTER®**

תמיכה טכנית

<https://support.thrustmaster.com>



## זכויות יוצרים

© 2020 Guillemot Corporation S.A. כל הזכויות שמורות Thrustmaster®. הוא סמל מסחרי רשום של Guillemot Corporation S.A. AIRBUS הלוגו וסימני המוצר והשירות הם סימנים מסחריים רשומים של Airbus. כל הזכויות שמורות.

Airbus 2020 © כל הזכויות שמורות. ברישיון רשמי של Airbus. Windows® הוא סמל מסחרי רשום של Microsoft Corporation בארה"ב ו/או במדינות אחרות. כל יתר הסימנים המסחריים ושמות המותגים מוכרים ומהווים את הרכוש של בעליהם בהתאמה. האירים אינם מחייבים. תוכן, עיצובים ומפרטים נתונים לשינוי ללא הודעה ועשויים להשתנות ממדינה למדינה. תוצרת סין.

## המלצת איכות הסביבה

\* באיחוד האירופי: עם סיום חיי המוצר, אין להשליך אותו ביחד עם פסולת ביתית, אלא למסור אותו לתחנת איסוף השלכת פסולת חשמלית או אלקטרונית (WEEE) לצורך מחזור. הוראה זו מצוינת באמצעות הסימן המופיע על המוצר, מדריך השימוש או האריזה.



בהתאם לתכונותיהם, ניתן למחזר את החומרים. באמצעות מחזור ועיבוד פסולת חשמלית או אלקטרונית, תוכלו לתרום באופן משמעותי להגנה על הסביבה. פנו לרשויות המקומיות למידע בנושא נקודת האיסוף הקרובה אליכם. בכל שאר המדינות: יש לפעול על פי חוקי המחזור המקומיים ביחס לציוד חשמלי ואלקטרוני.

יש לשמור מידע זה. הצבעים והעטורים עשויים להשתנות. יש להסיר מחברי פלסטיק ודבקים מהמוצר לפני השימוש. מוצר זה עומד בכל התקנים ביחס לילידים מגיל 14 ומעלה. מוצר זה אינו מתאים לשימוש על ידי ילדים מתחת לגיל 14.

[www.thrustmaster.com](http://www.thrustmaster.com)

\*רלוונטי רק לאיחוד האירופי ולטורקיה

