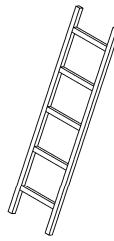
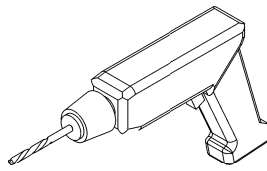
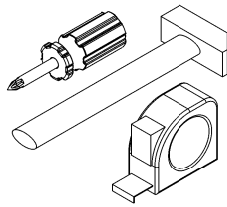
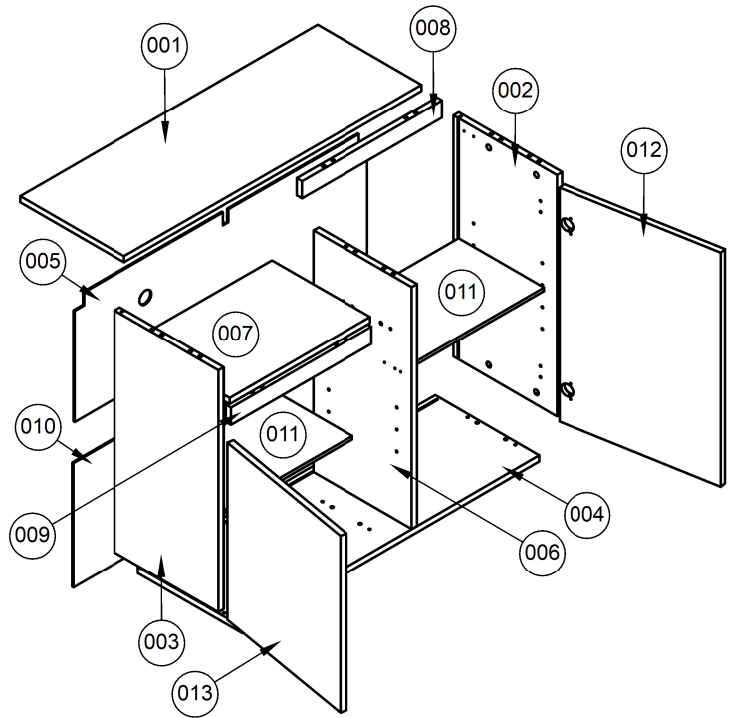


- 90 min.

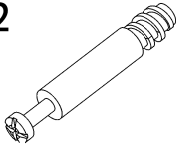
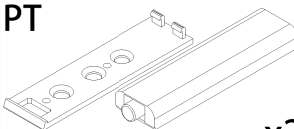
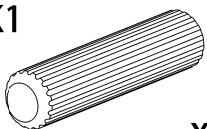
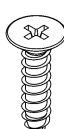
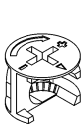


K100-701

Number	Qty	Size A	Size B
001	1	1000	350
002	1	704	349
003	1	704	349
004	1	1000	350
005	1	362	984
006	1	704	331
007	1	472	330
012	1	682	468
013	1	516	468
008	1	50	472
009	1	50	472
010	1	362	984
011	2	472	288

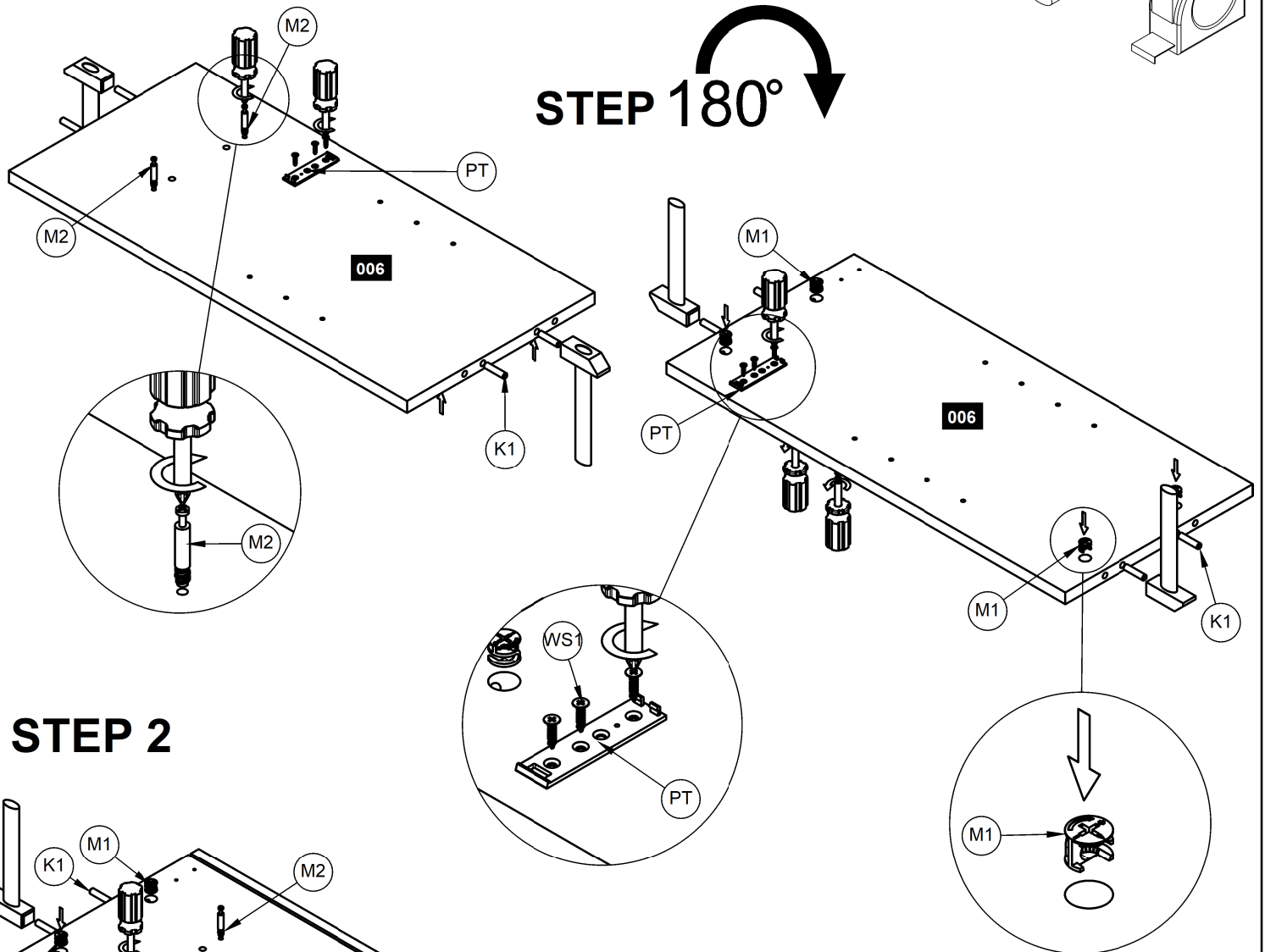
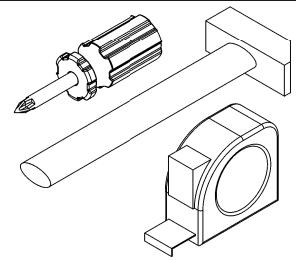


KL x1	P5 x8	KM x1		
MF x16	N15 x4	WS3 4x30 x12	WS4 4x35 x4	ZR1 x3
K1 x20	M1 x20	M2 x20	ZW x3	WS1 3,5x16 x24
HL x1	ZW3 x4	M3 x20	ST1 x16	D1 x2
PT x2	W01 x8	S6 x5	M6 x16	

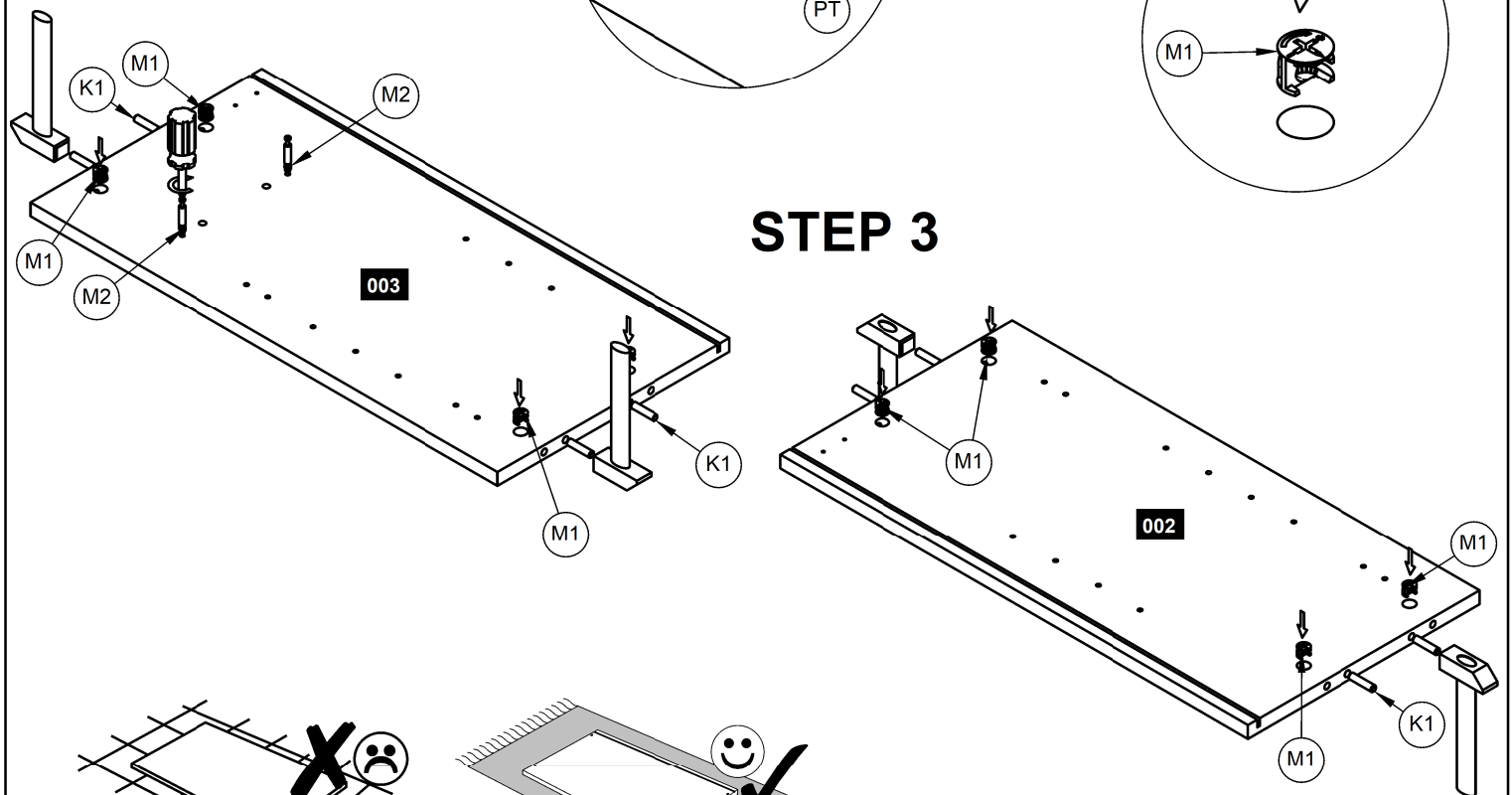
M2  x20	PT  x2	K1  x20	WS1  3,5x16 x20	M1  x20
--	--	---	---	---

STEP 1

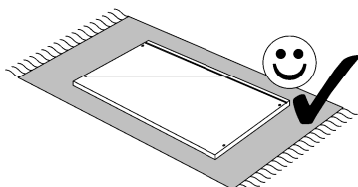
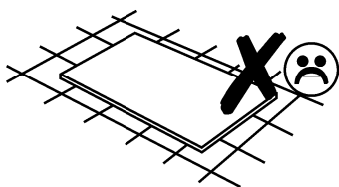
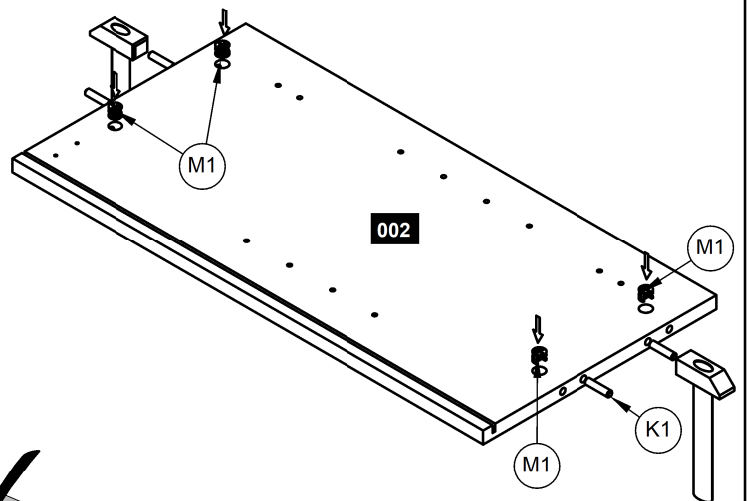
STEP 180°

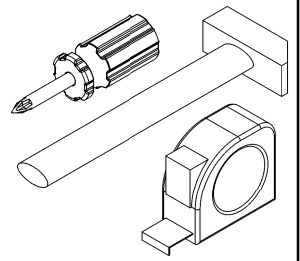
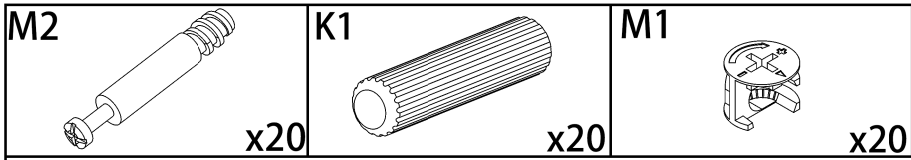


STEP 2

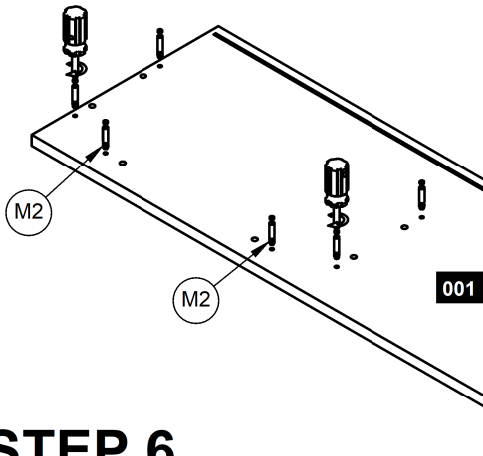


STEP 3

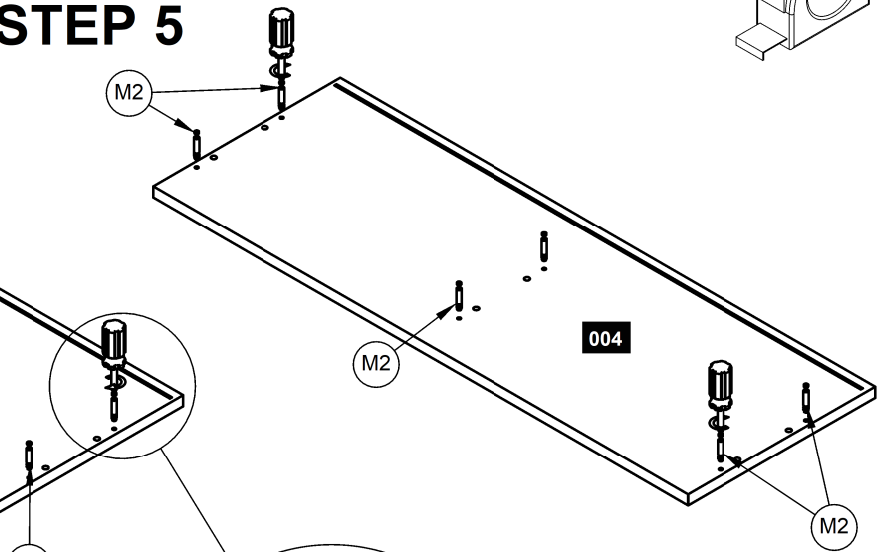




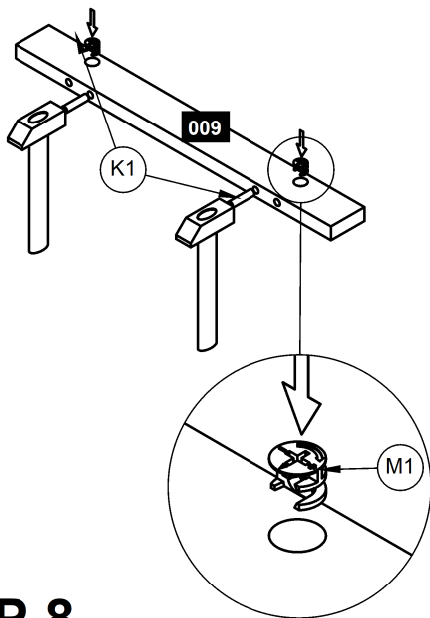
STEP 4



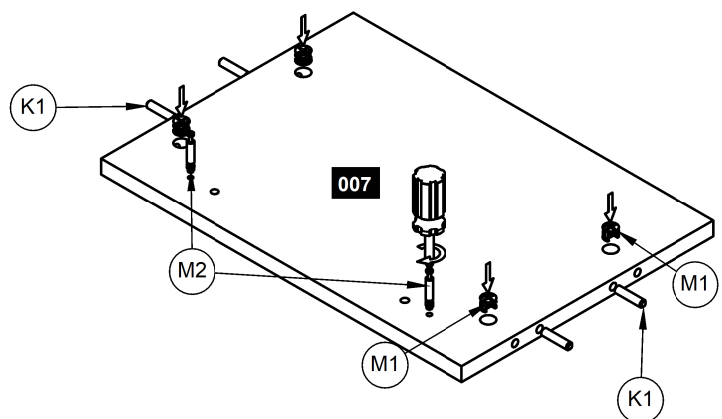
STEP 5



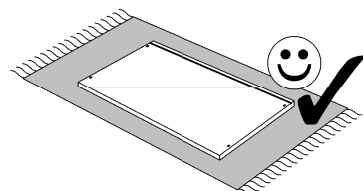
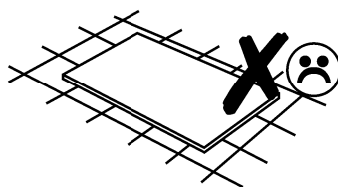
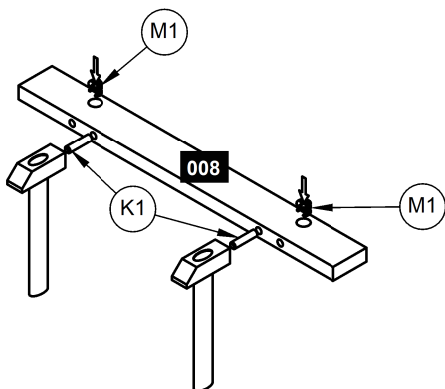
STEP 6

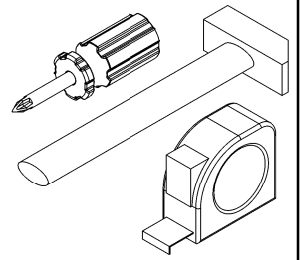
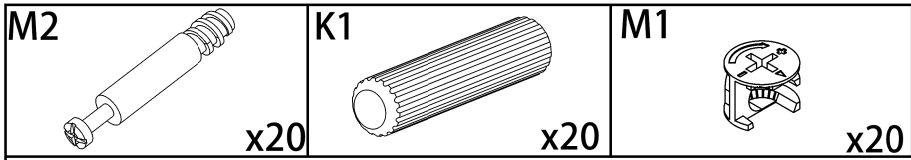


STEP 7

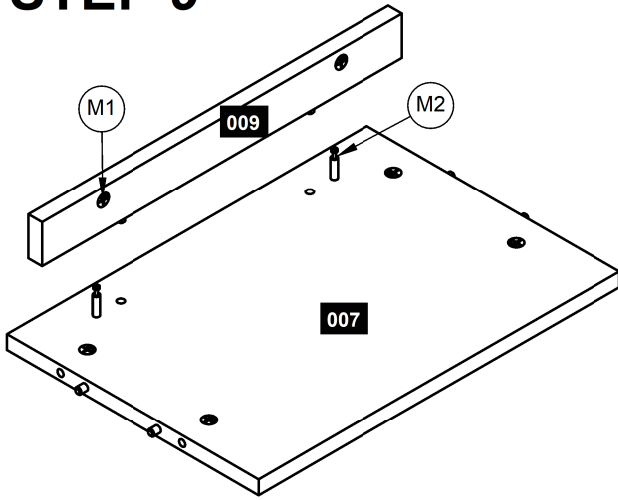


STEP 8

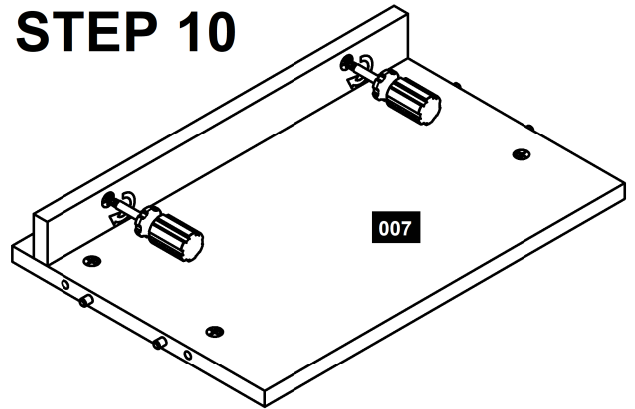




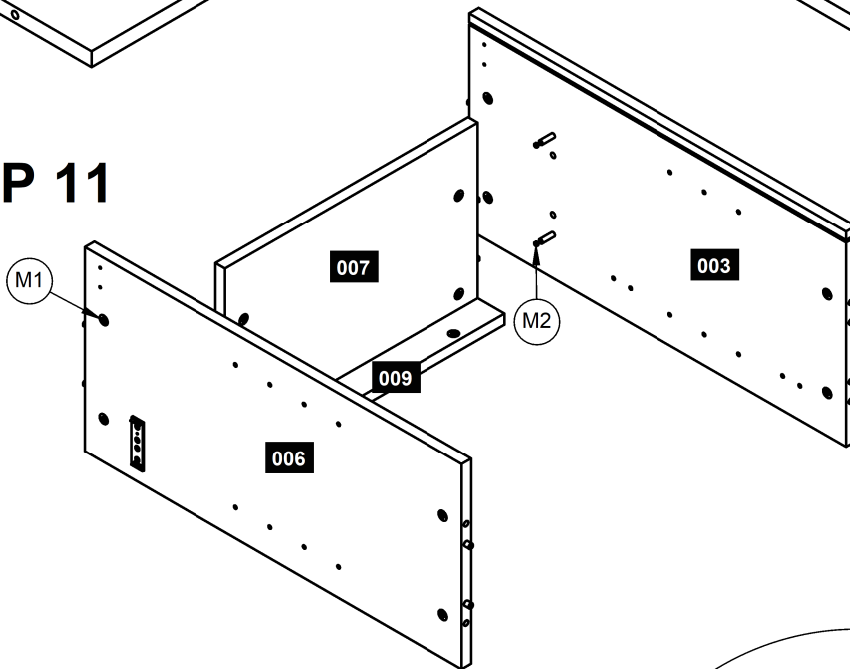
STEP 9



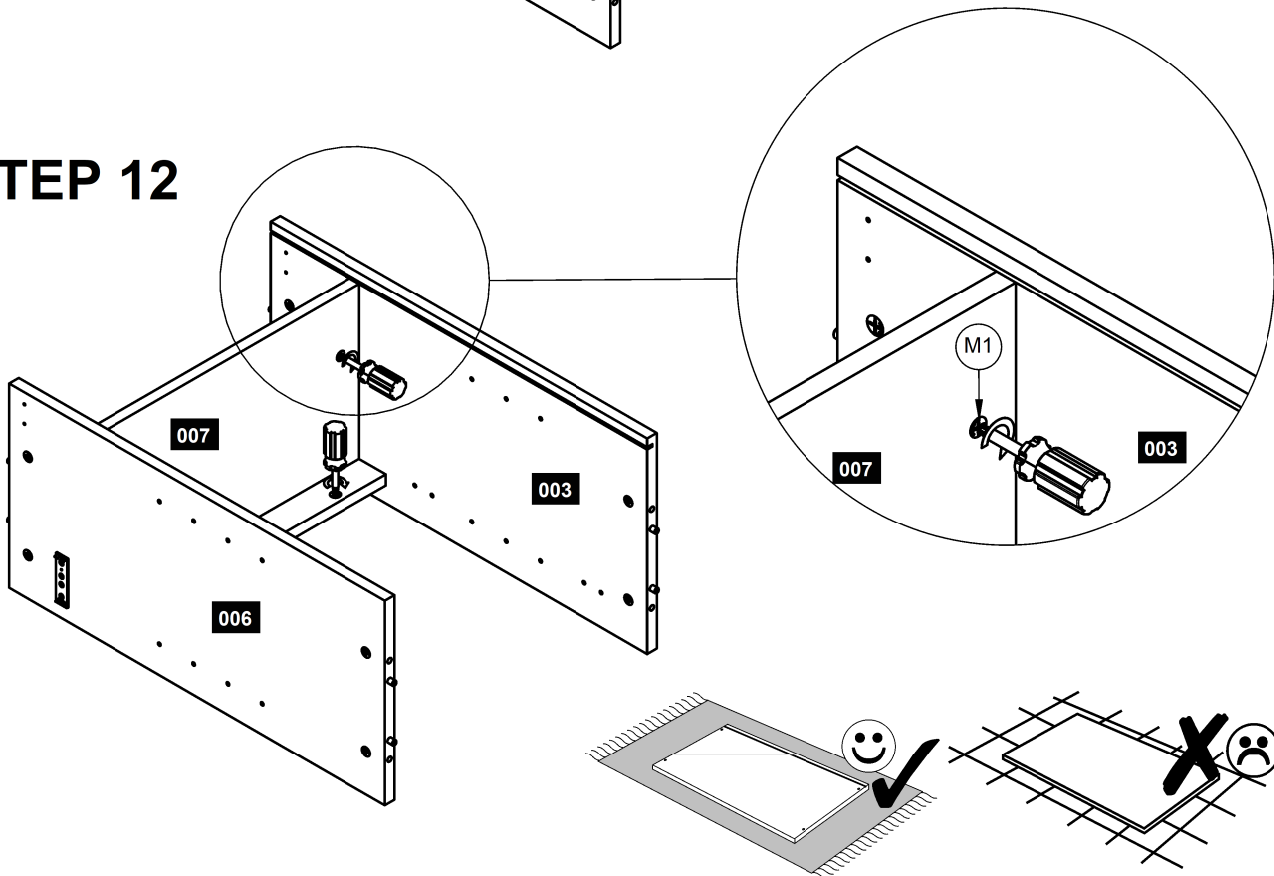
STEP 10



STEP 11



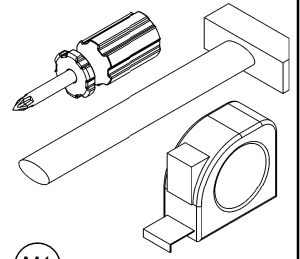
STEP 12



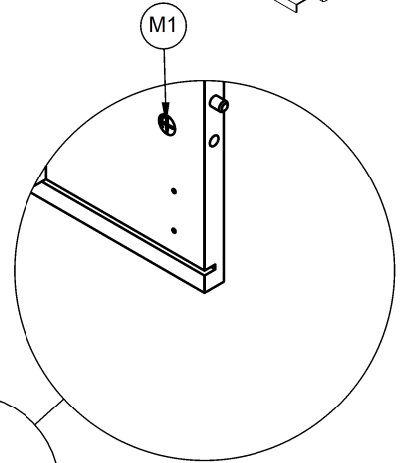
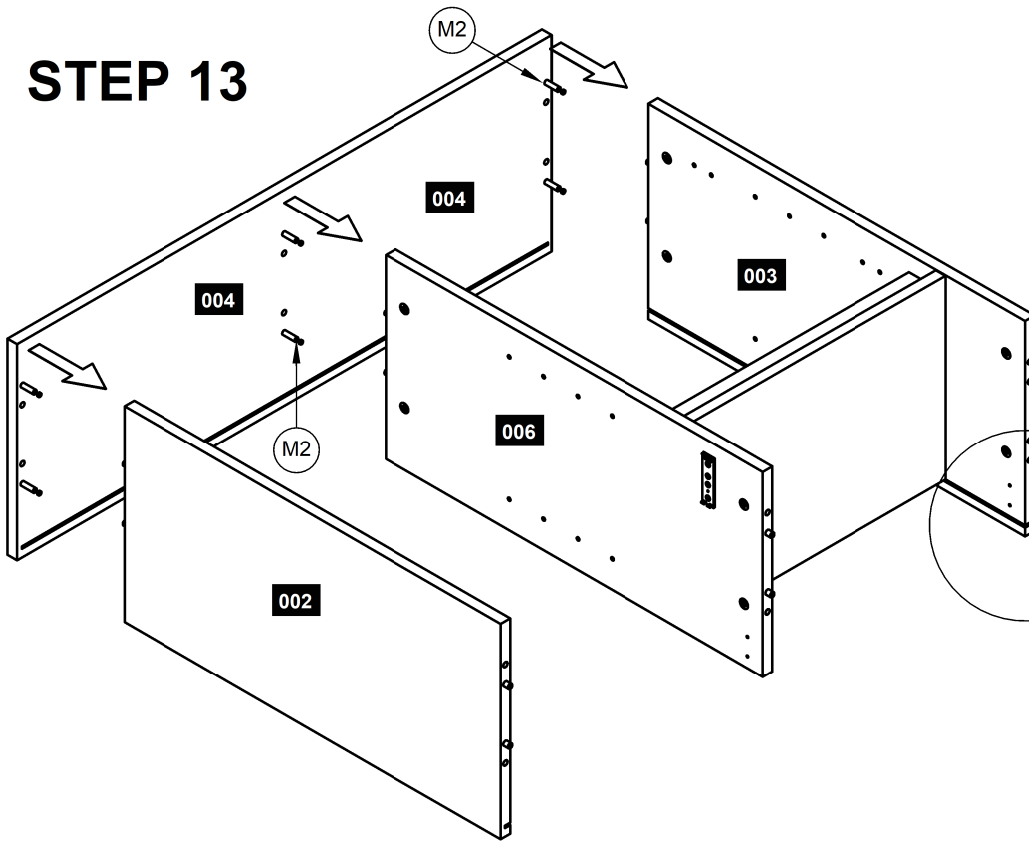
M1



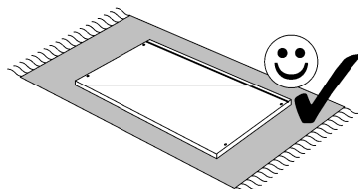
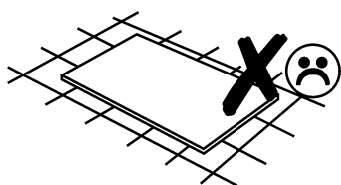
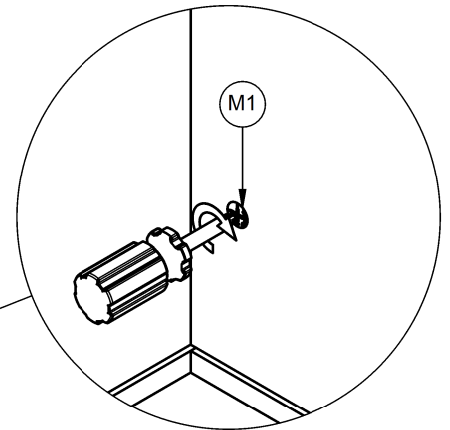
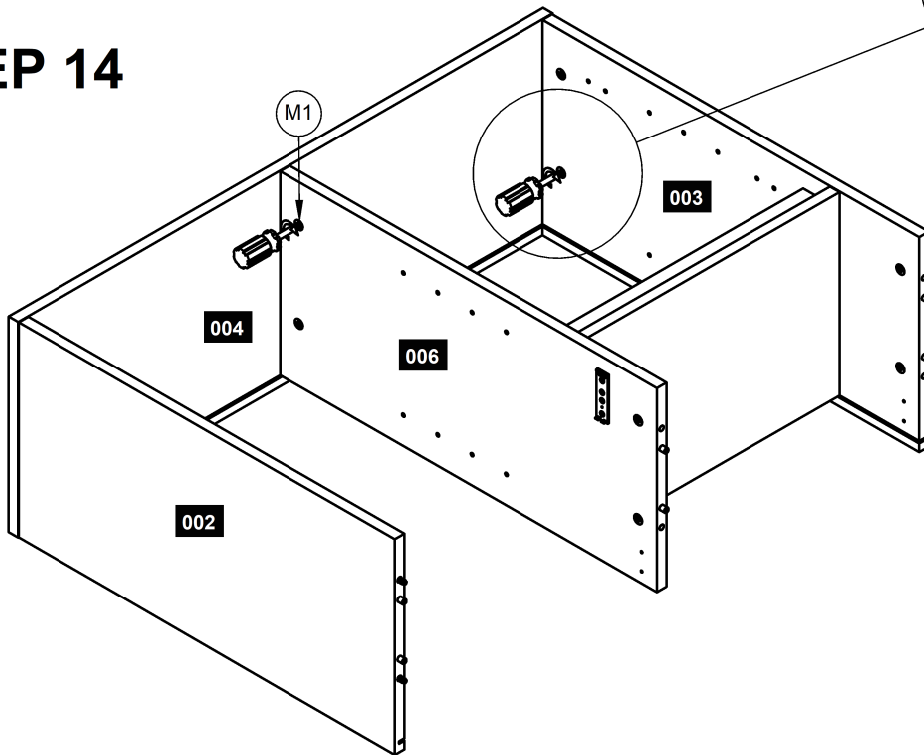
x20

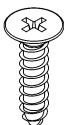


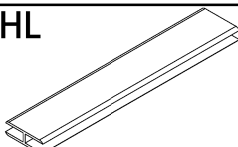
STEP 13

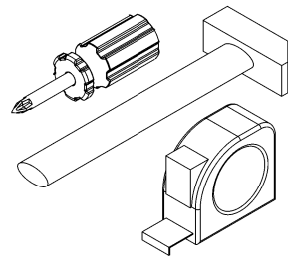


STEP 14

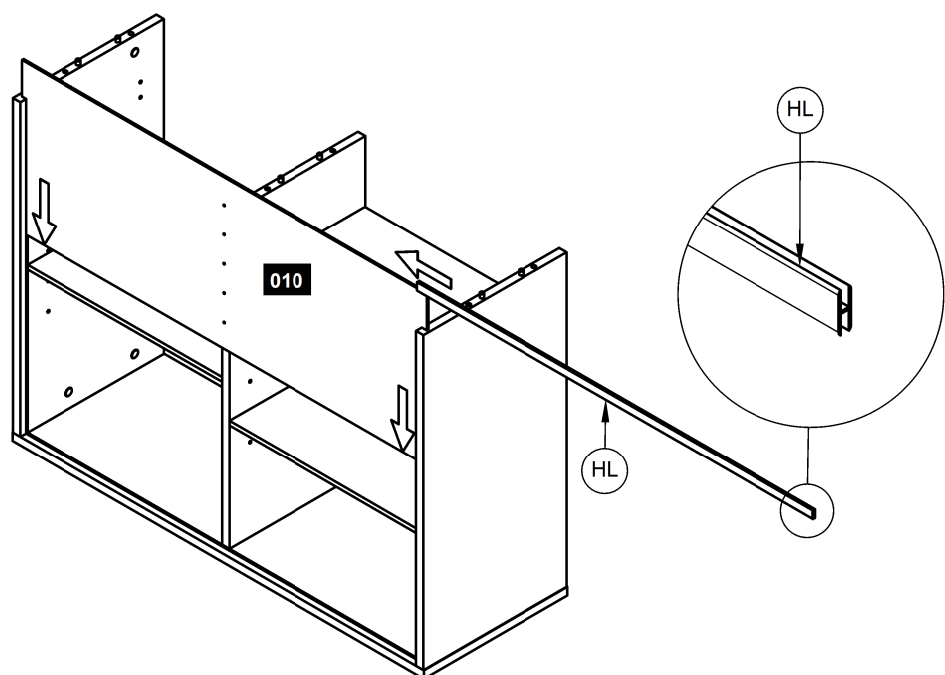


WS1  x16
 3,5x16

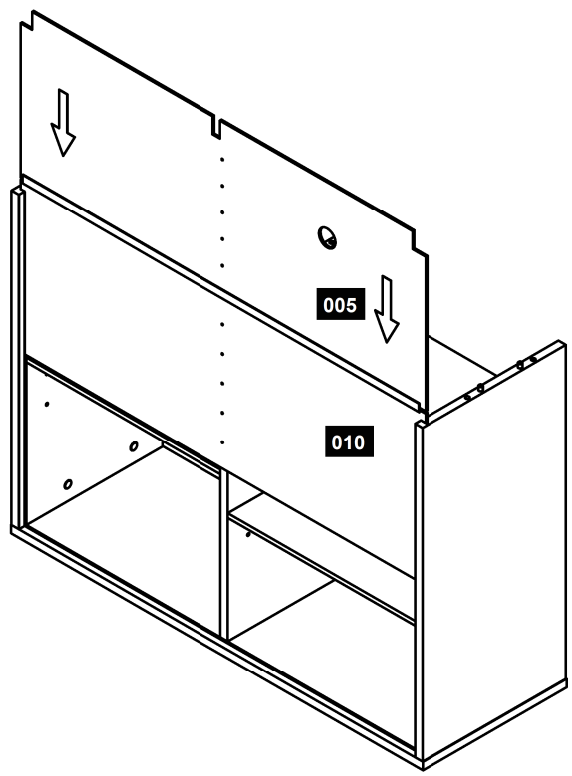
HL  x2



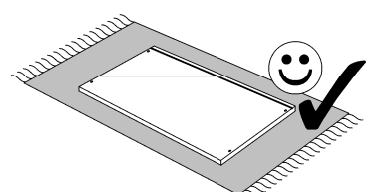
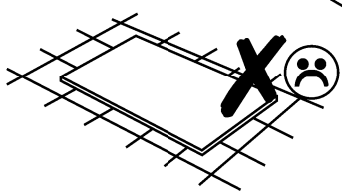
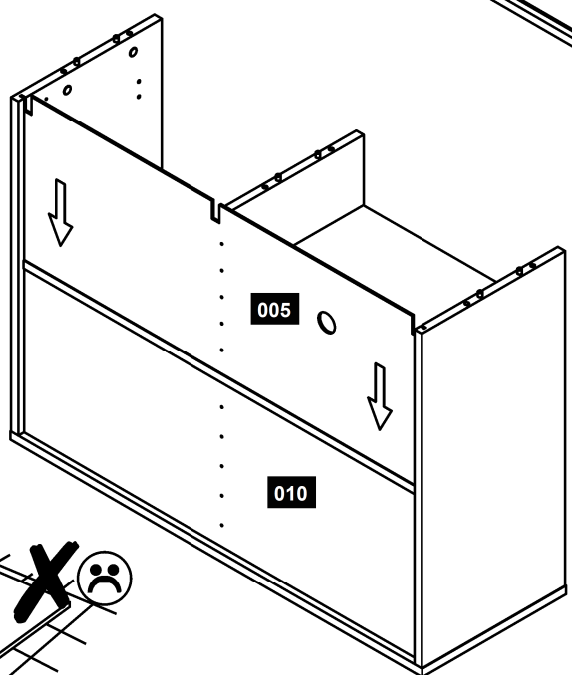
STEP 15

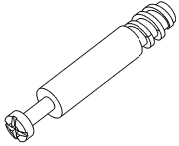
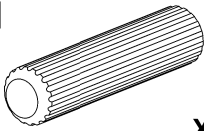

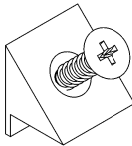
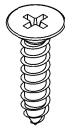


STEP 16

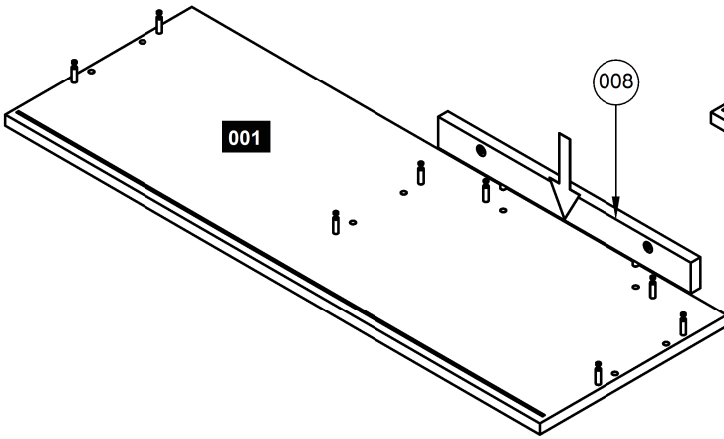


STEP 17

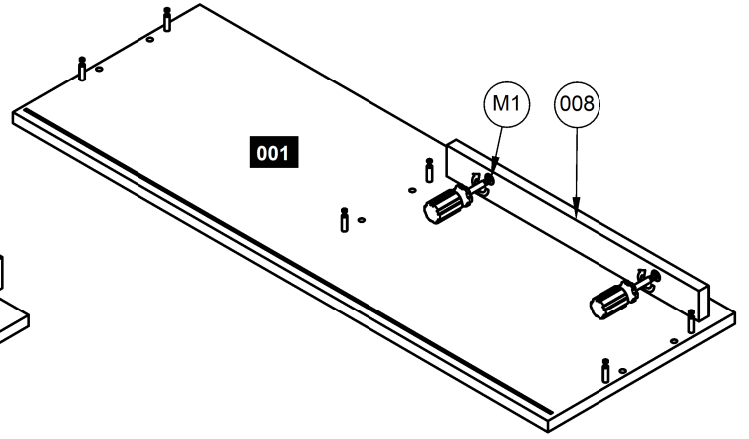


M2  x20	K1  x20	M1  x20	ST1  x16	WS1  3,5x16 x24
---	--	--	---	--

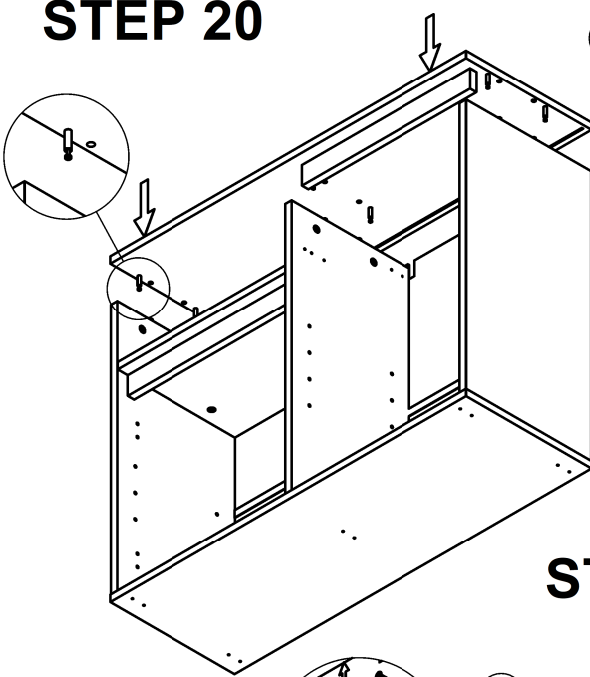
STEP 18



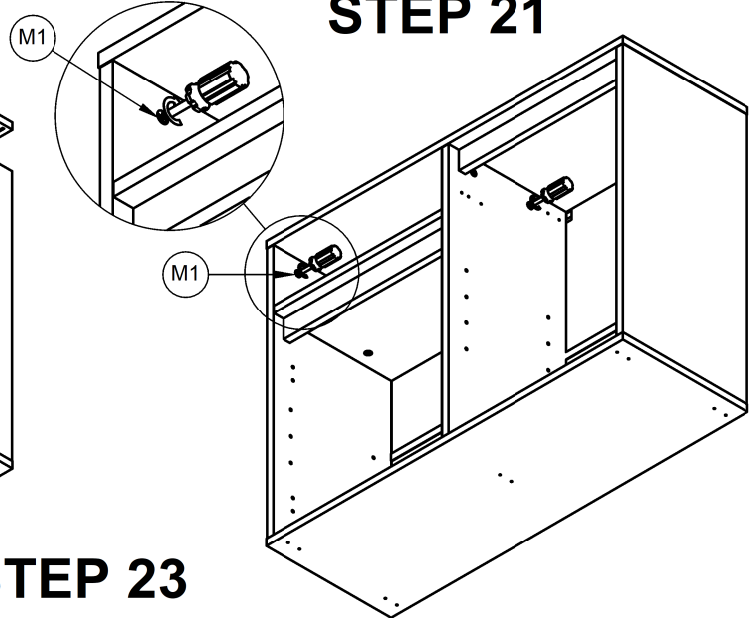
STEP 19



STEP 20

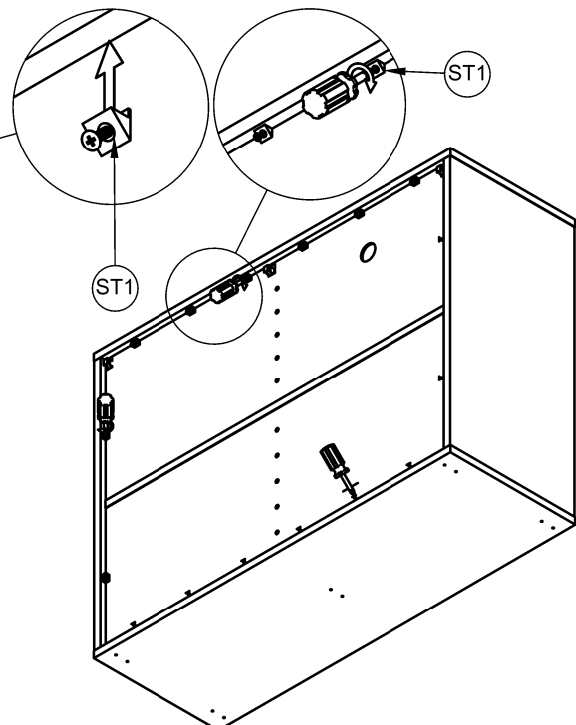
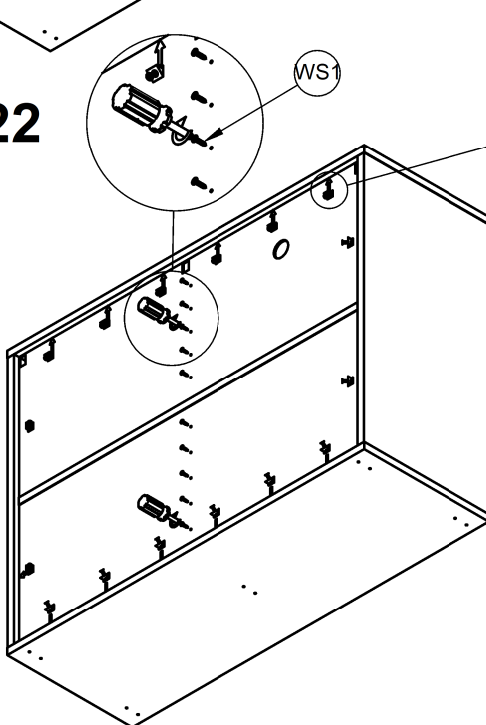


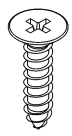
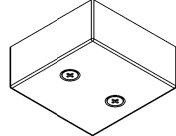
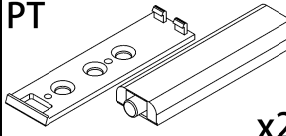

STEP 21

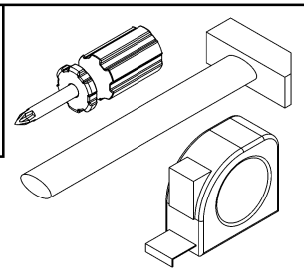


STEP 23

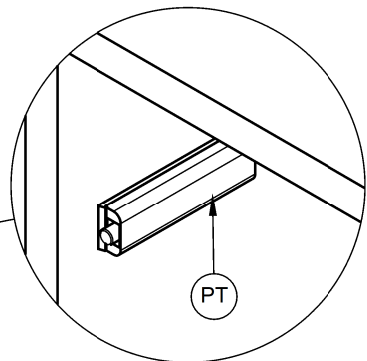
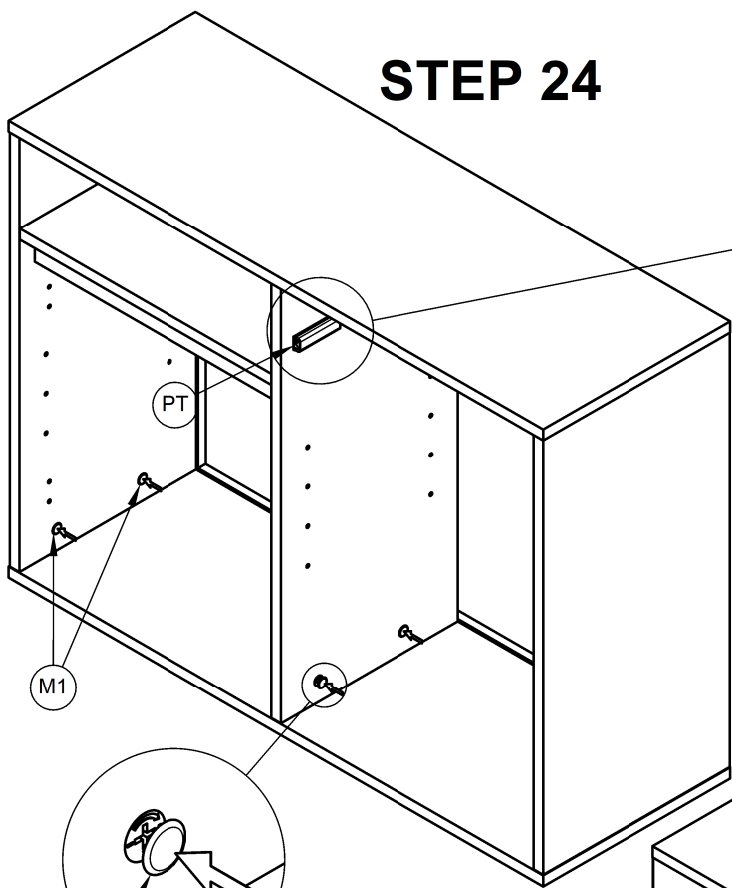
STEP 22



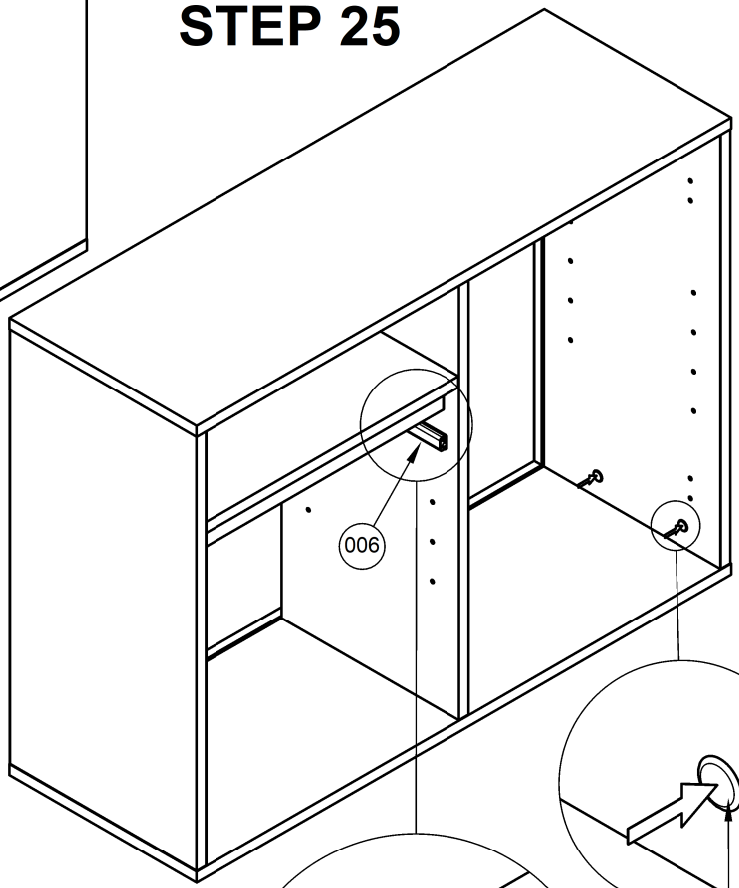
WS1  3,5x16 x24	S6  x5	PT  x2	M3  x20
--	---	---	--



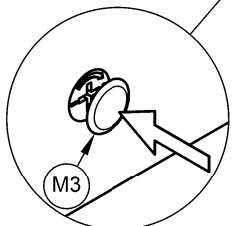
STEP 24



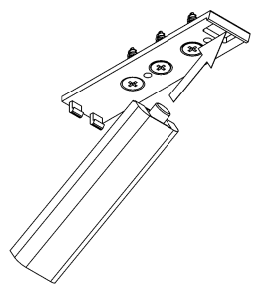
STEP 25



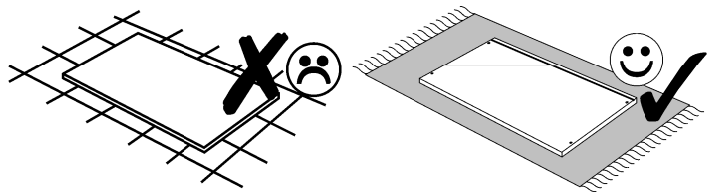
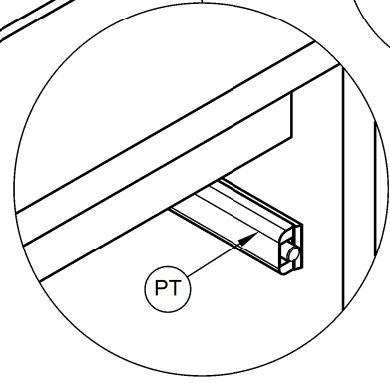
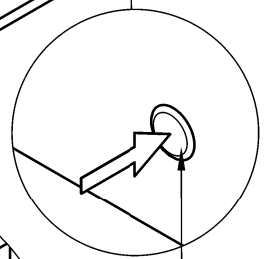
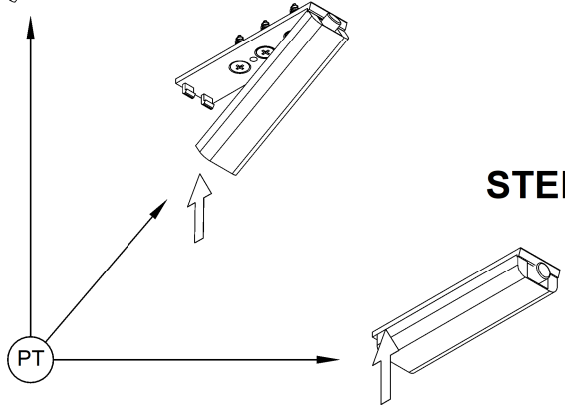
STEP 16a



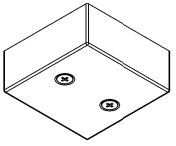
STEP 16b



STEP 16c

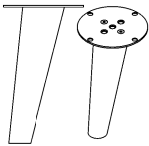


S6



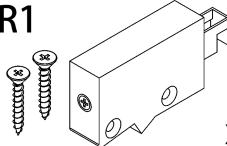
x5

N15



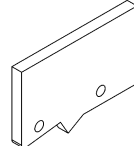
x4

ZR1

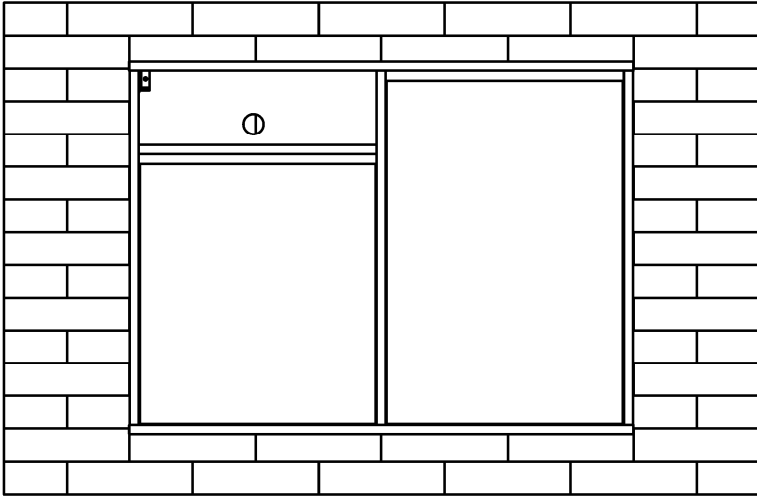
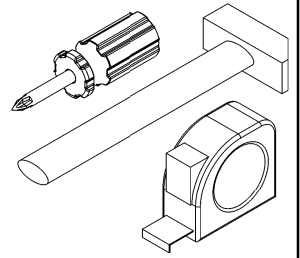


x3

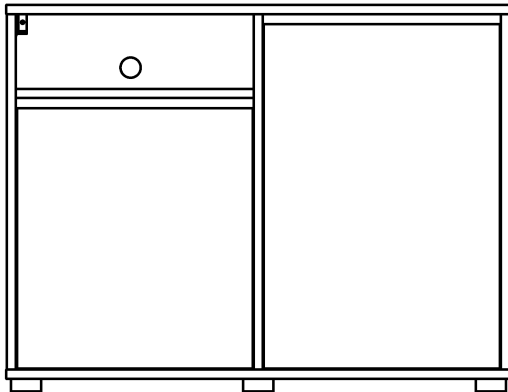
D1



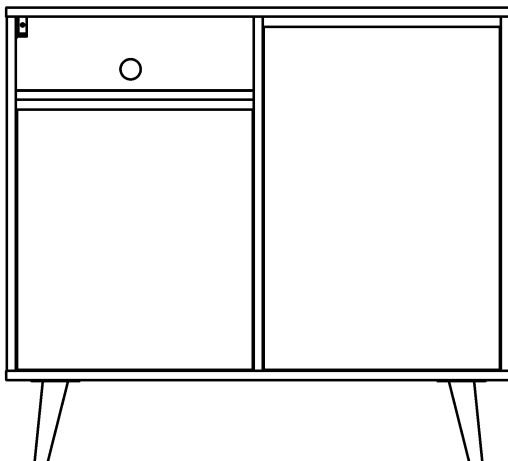
x2



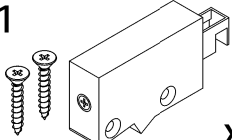
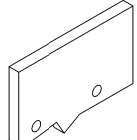
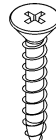
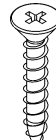

➔ **STEP 26**

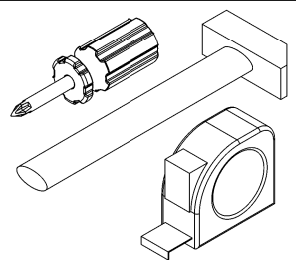


➔ **STEP 36**

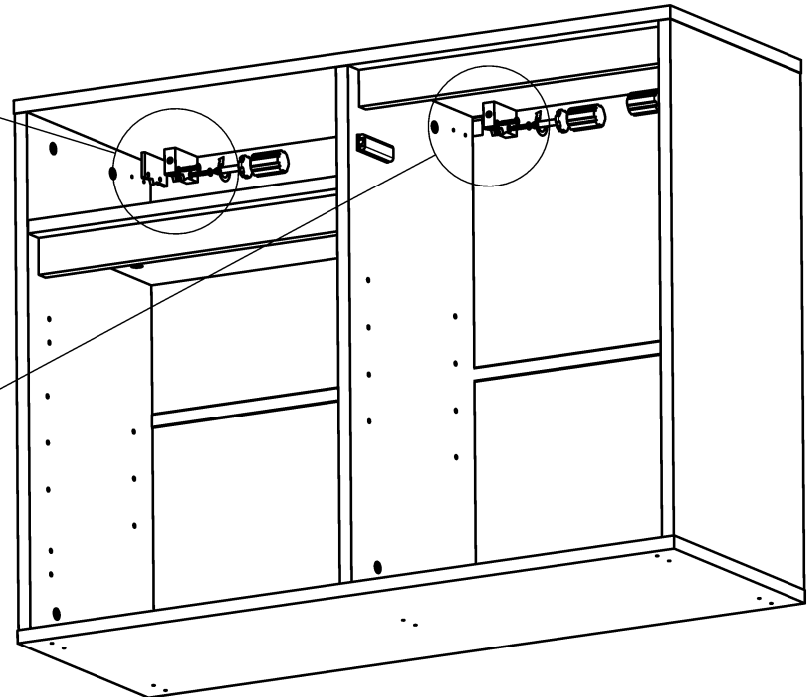
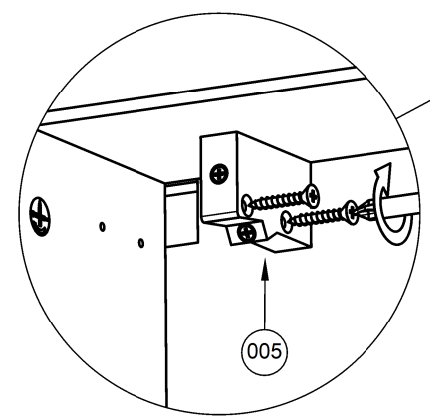
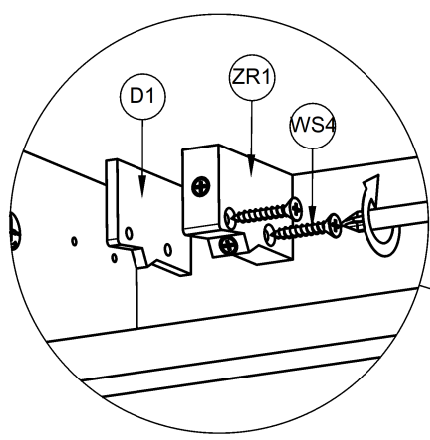


➔ **STEP 33**

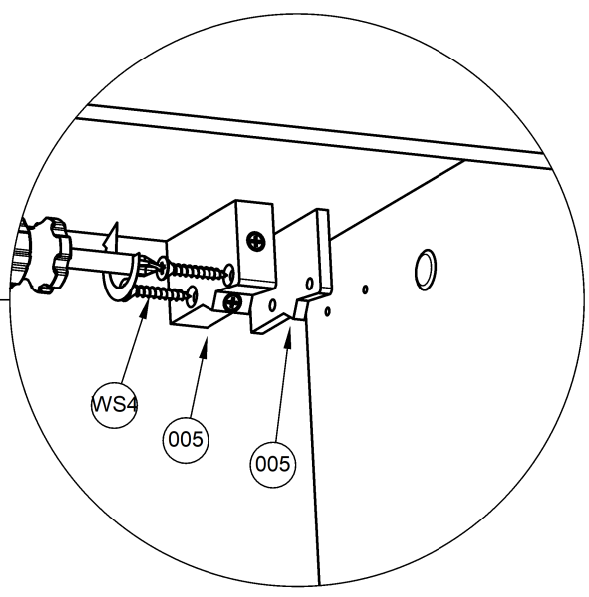
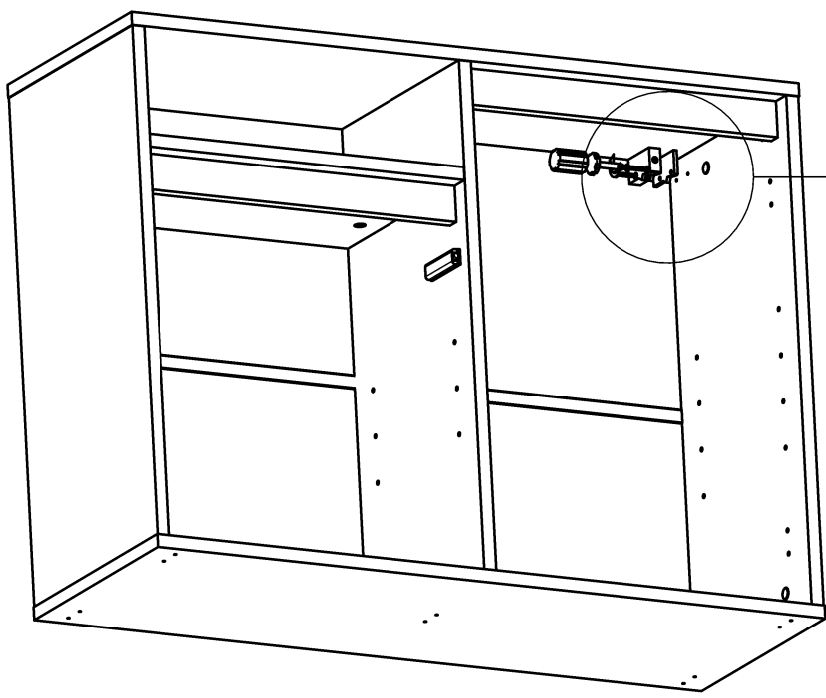
K1  x3	D1  x2	WS4  4x35 x4	WS3  4x30 x12	M3  x20
---	--	--	---	---

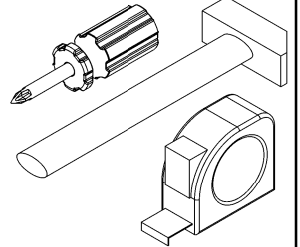
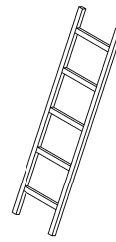
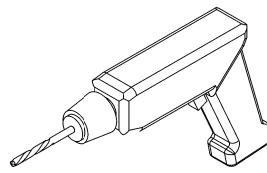
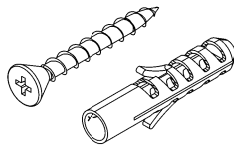
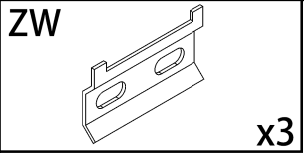


STEP 26

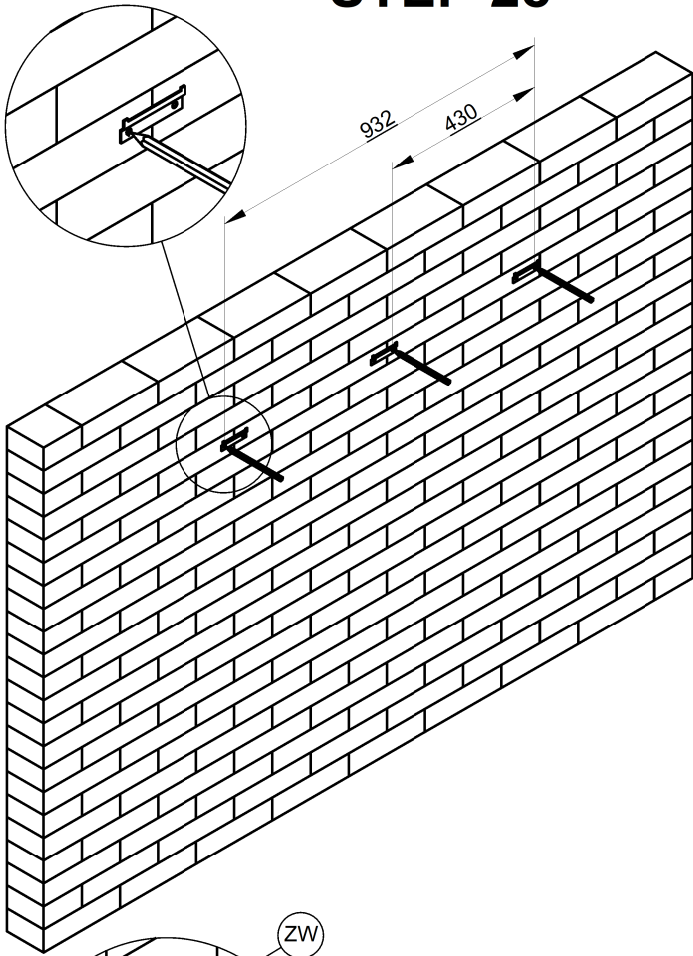


STEP 27

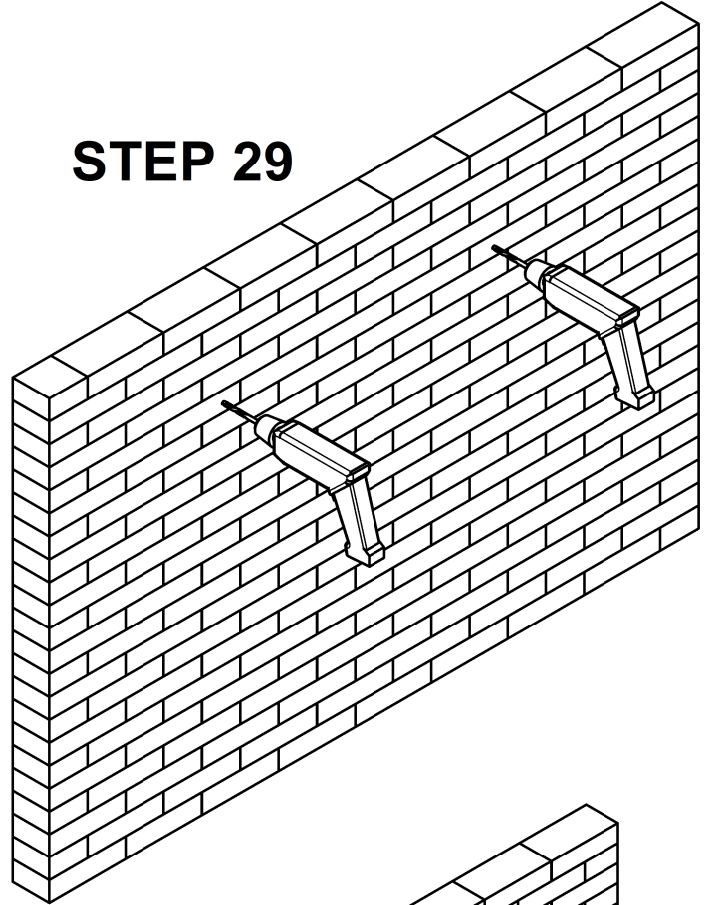




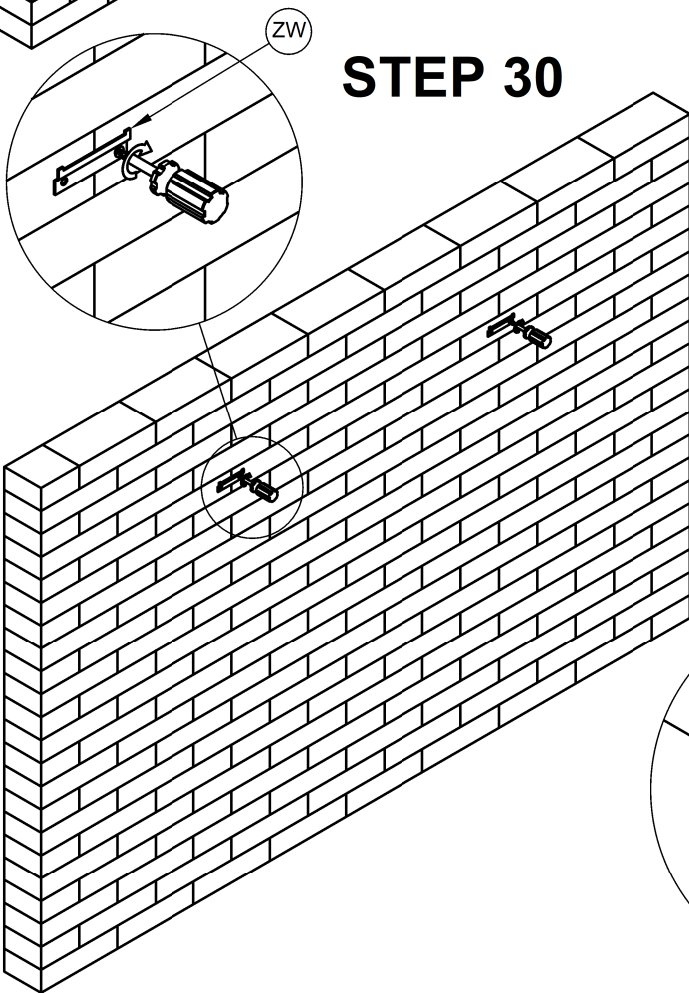
STEP 28



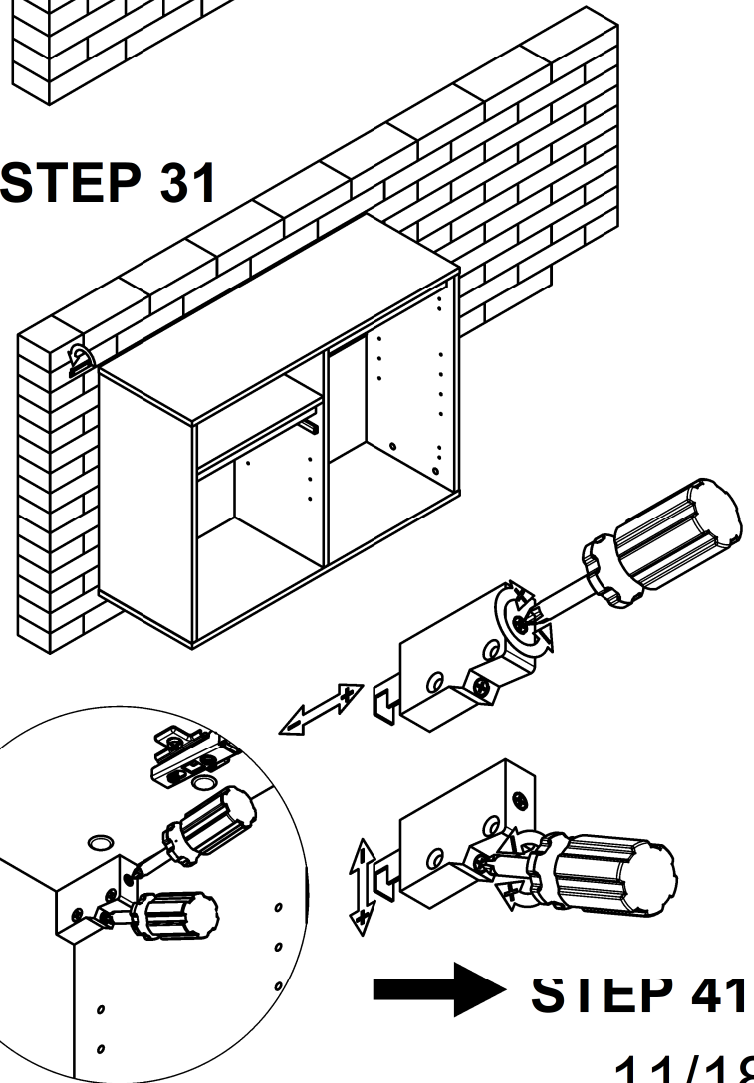
STEP 29



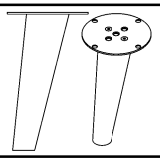
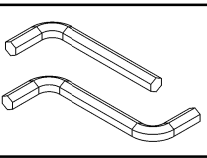
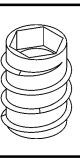
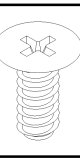
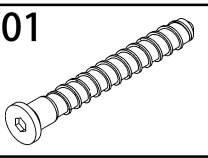
STEP 30



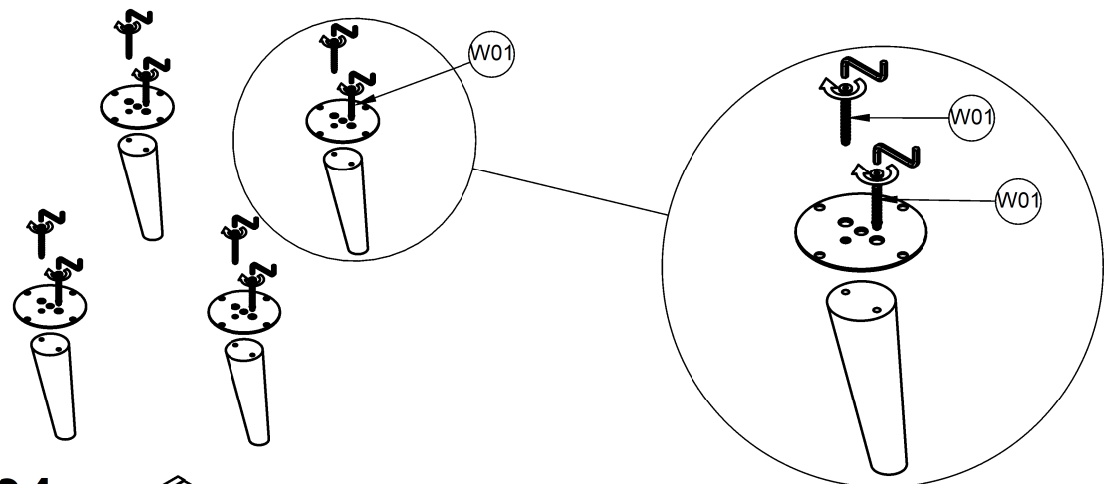
STEP 31



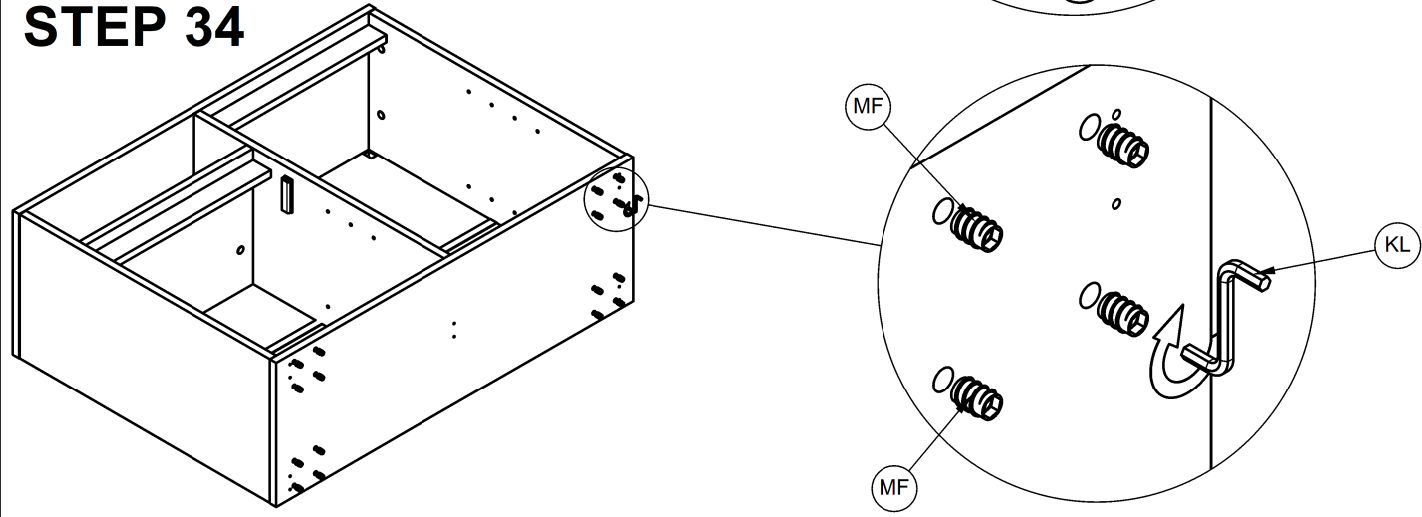
STEP 41

N15  x4	KL  x1	MF  x16	M6  x16	W01  x8
---	--	---	---	---

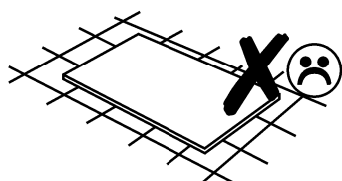
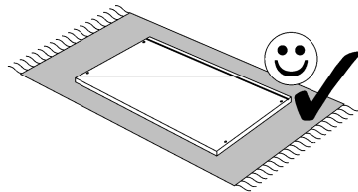
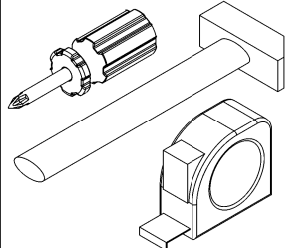
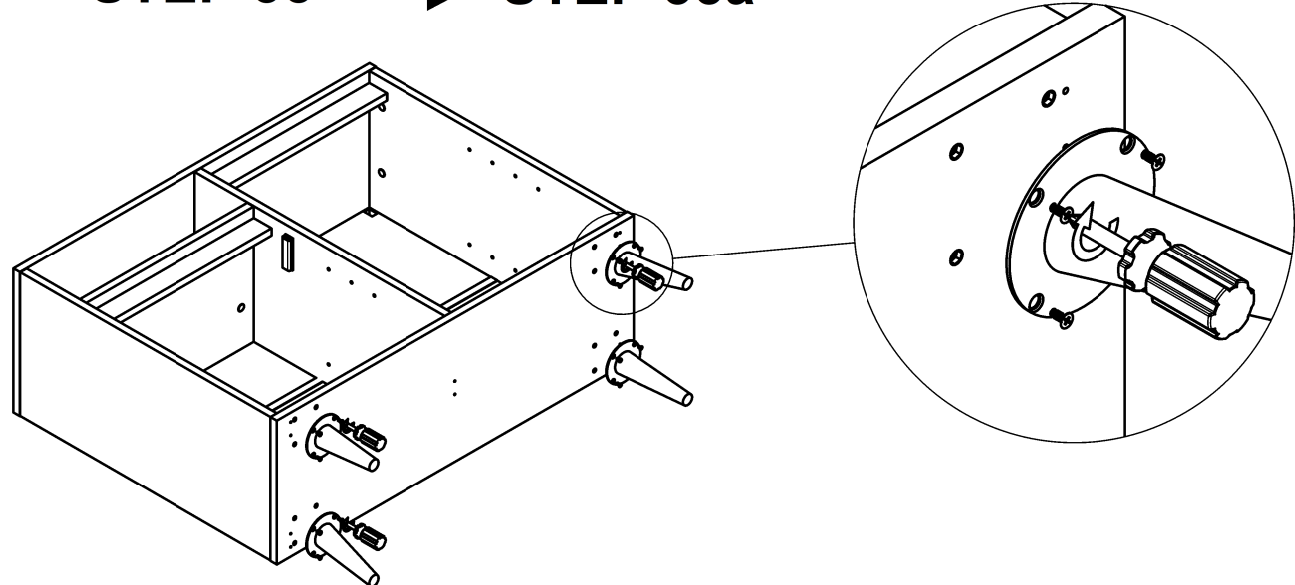
STEP 33

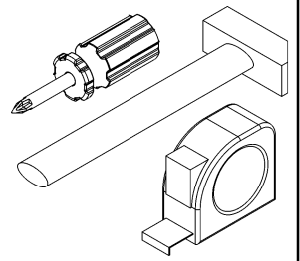
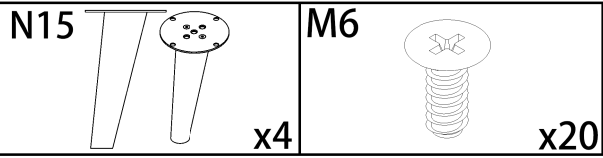


STEP 34

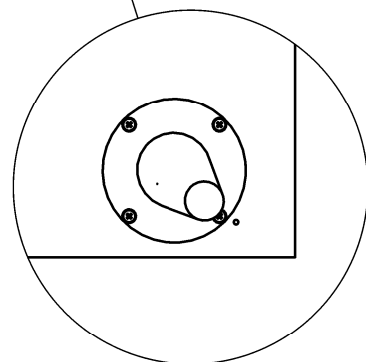
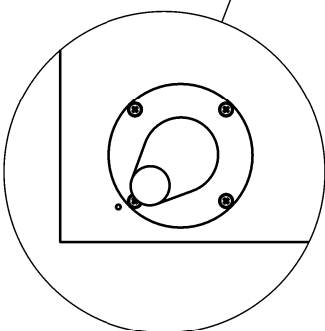
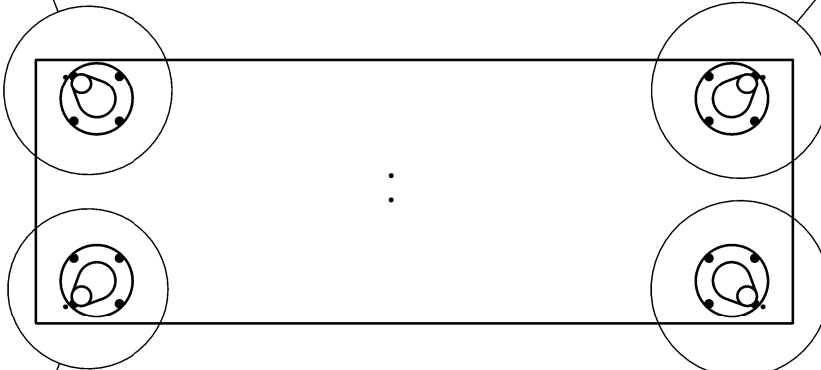
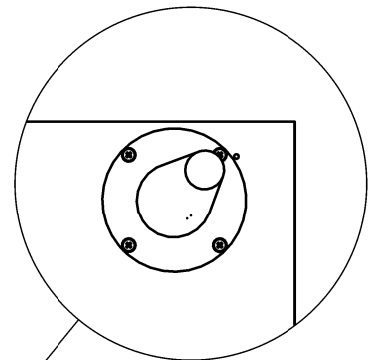
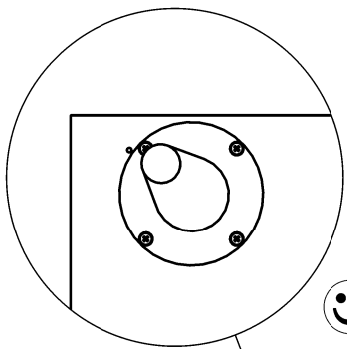
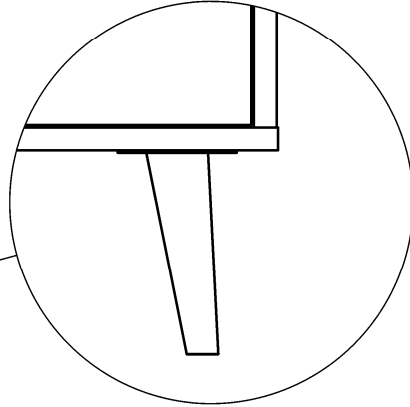
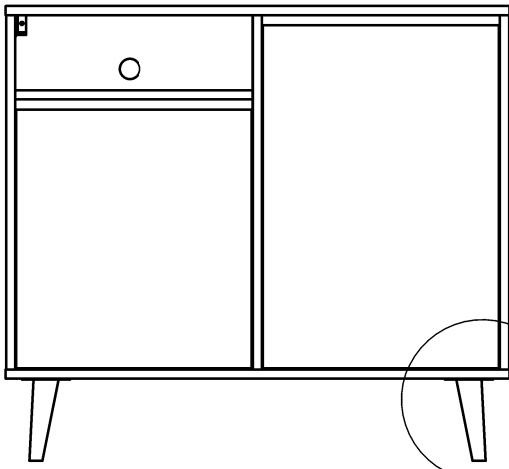


STEP 35 → STEP 35a



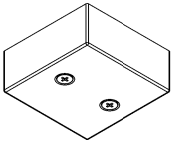


STEP 35a



➔ STEP 37

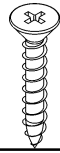
S6



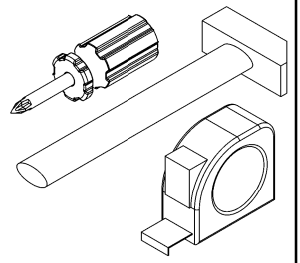
x5

WS3

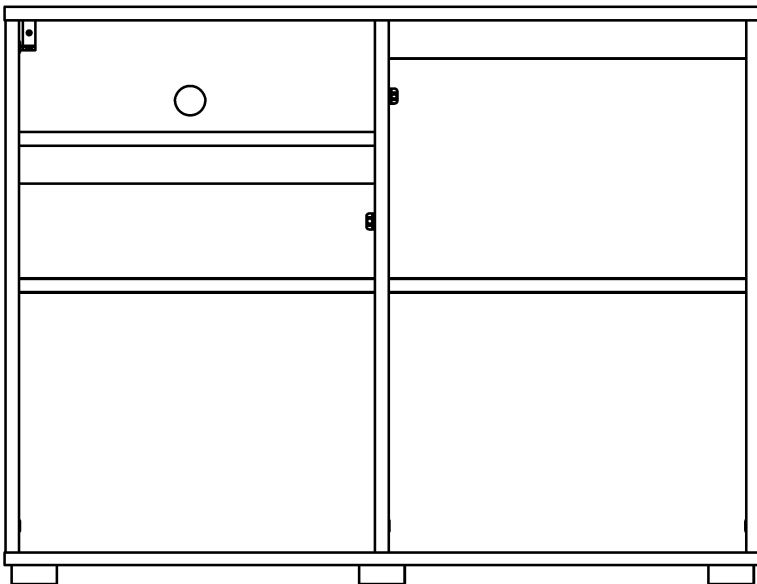
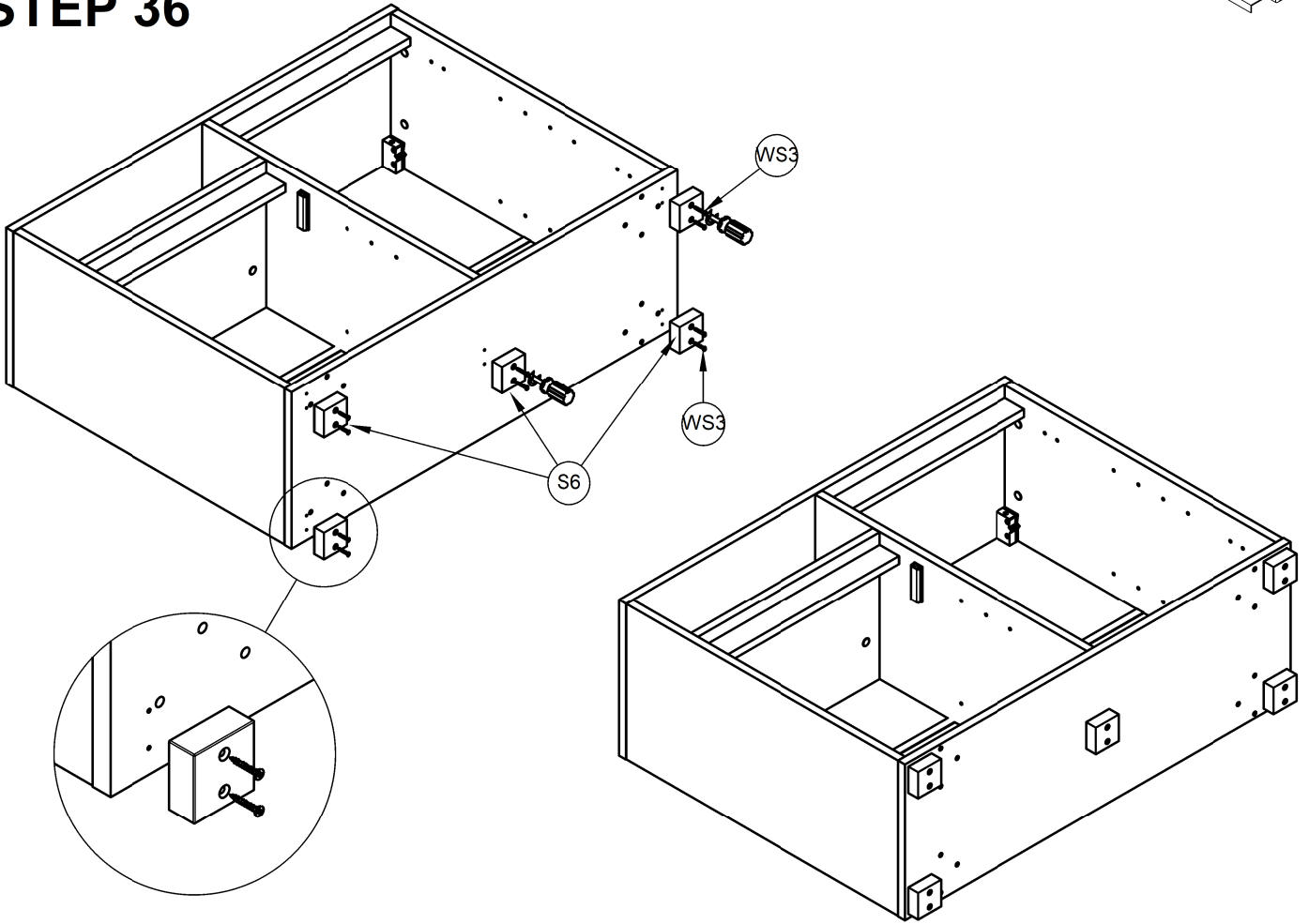
4x35



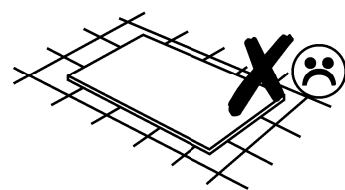
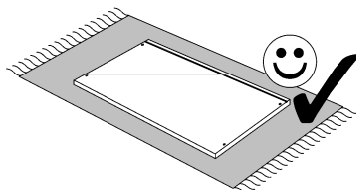
x12

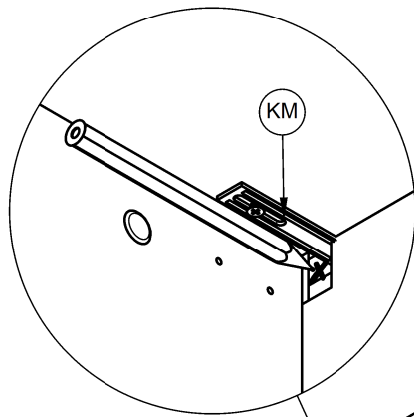
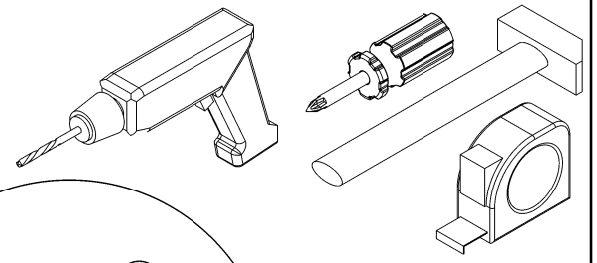
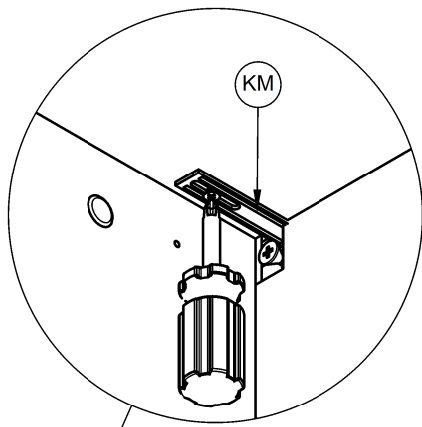
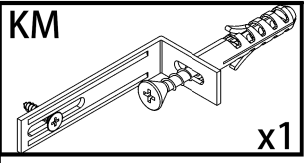


STEP 36

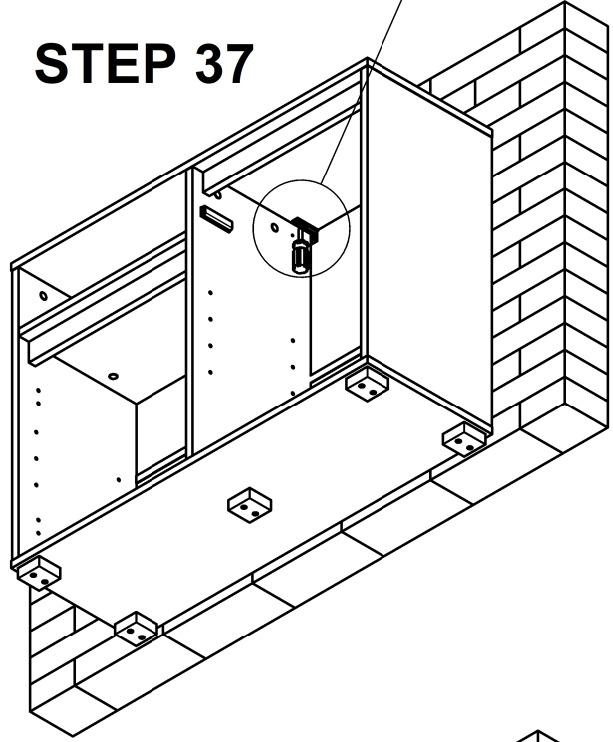


➔ **STEP 37**

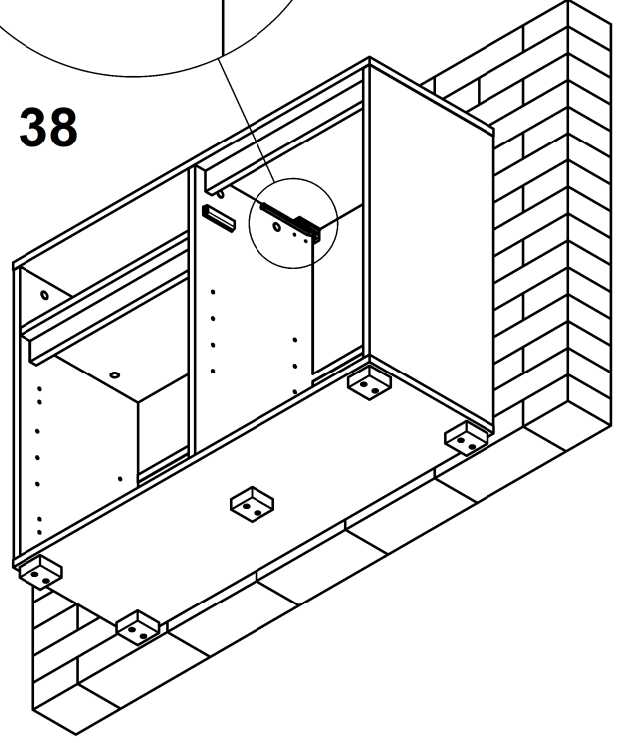




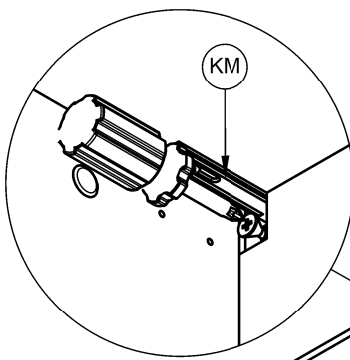
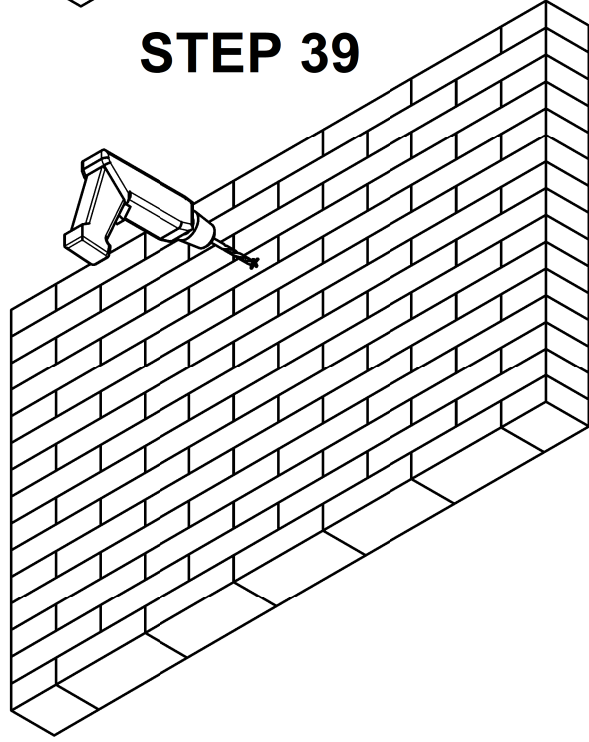
STEP 37



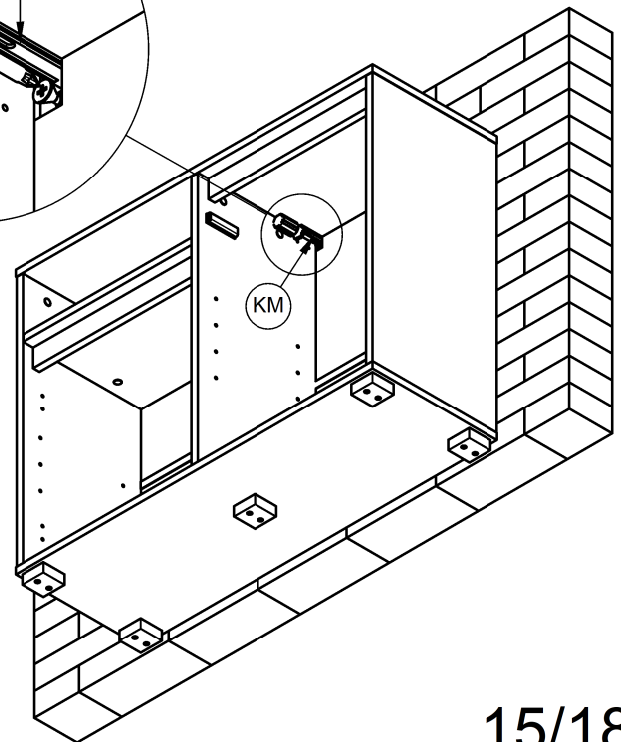
STEP 38

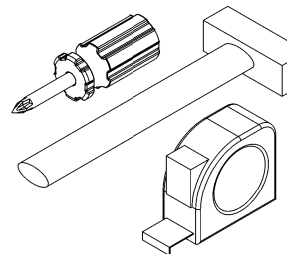
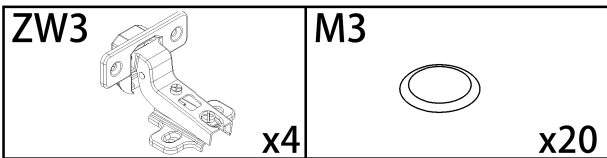


STEP 39

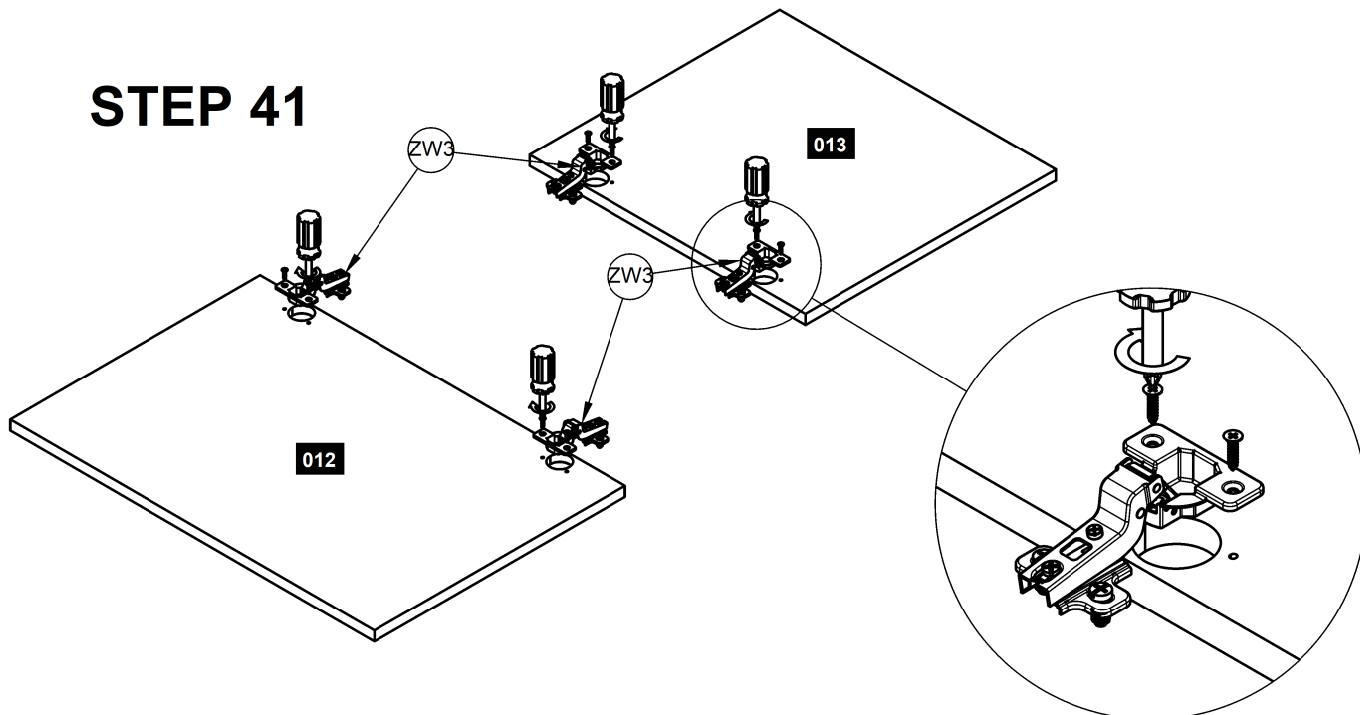


STEP 40

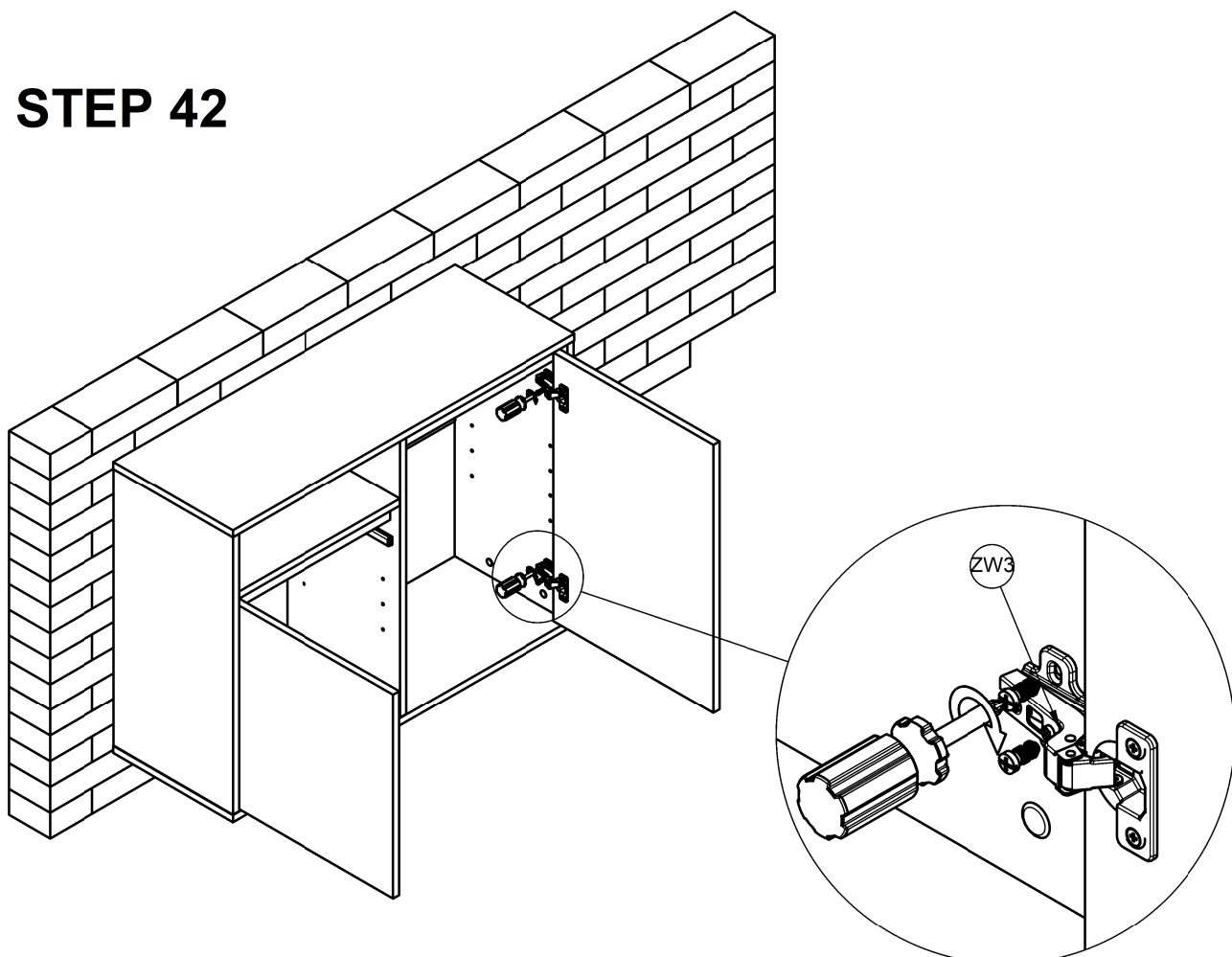




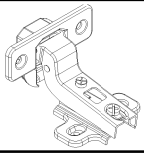
STEP 41



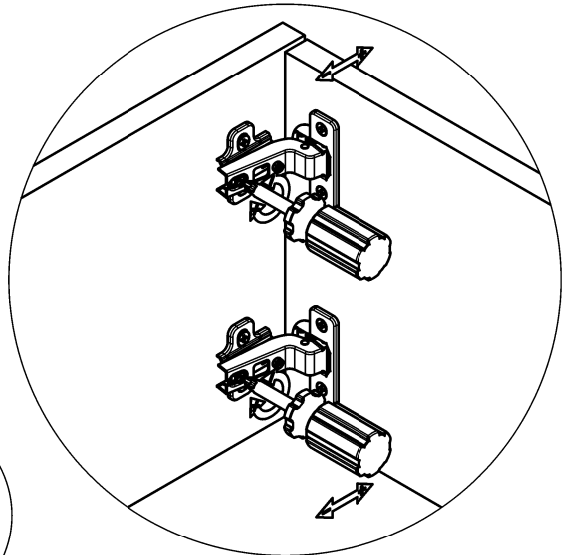
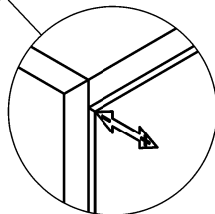
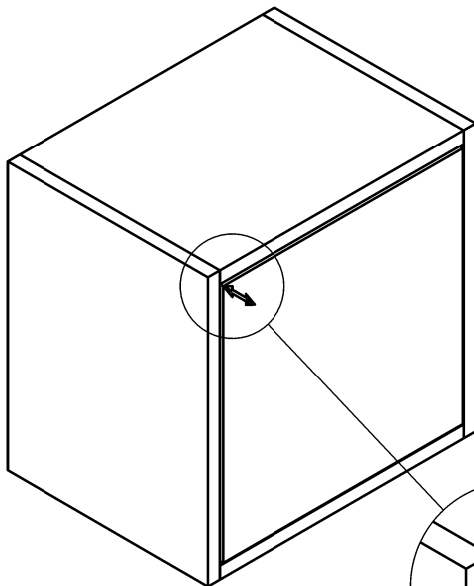
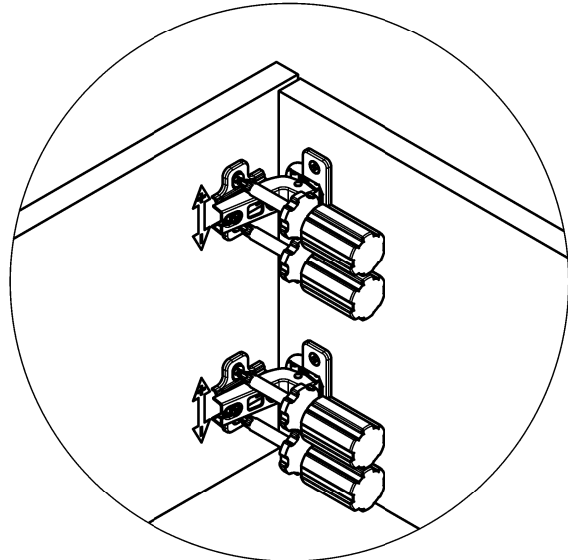
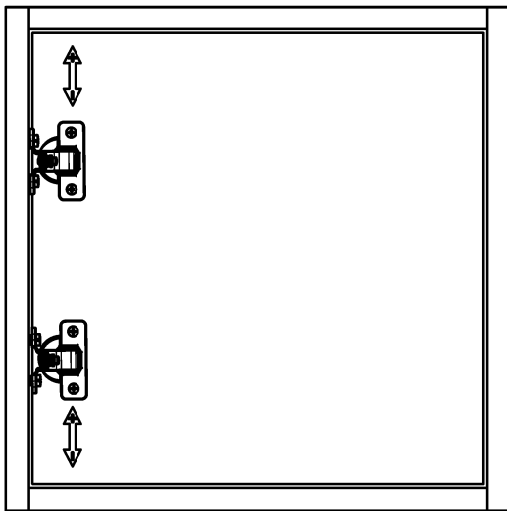
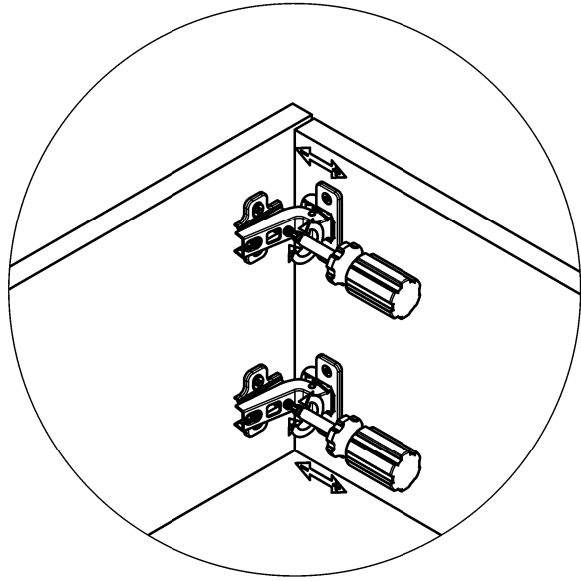
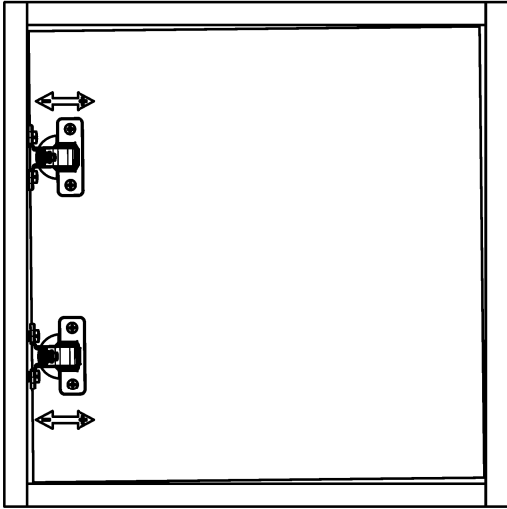
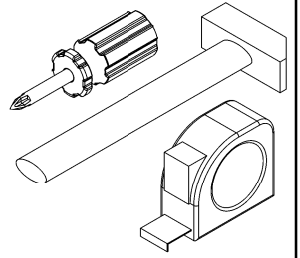
STEP 42



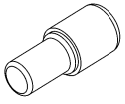
ZW3



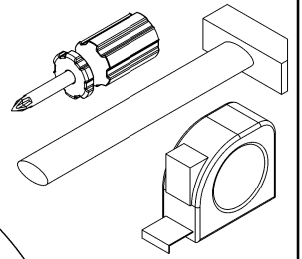
x4



P5



x8



STEP 43

