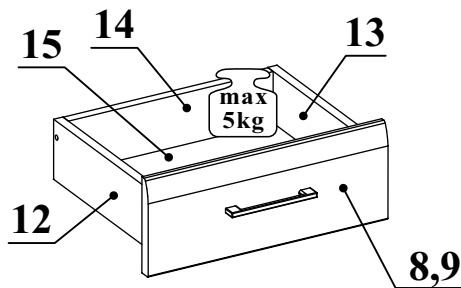
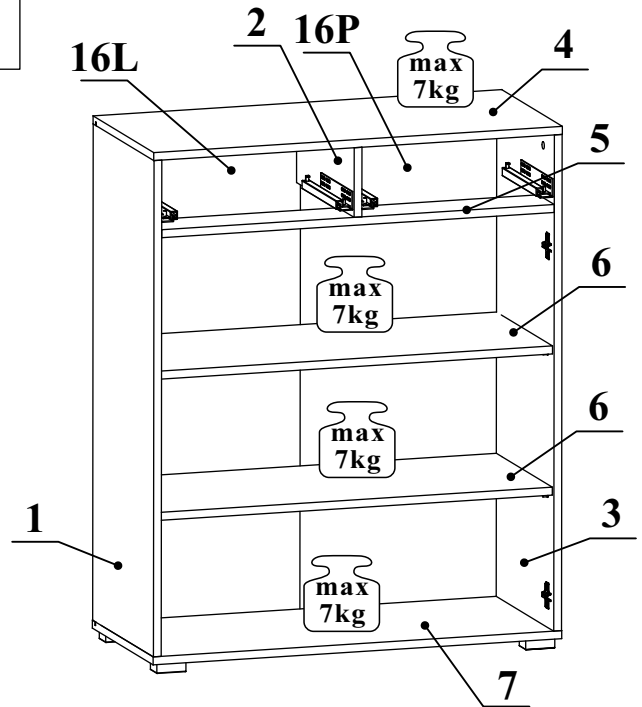
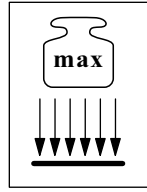
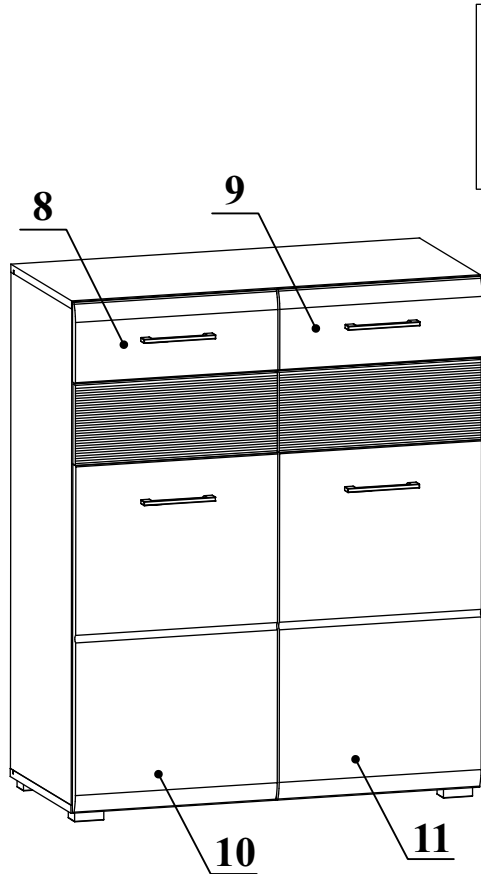
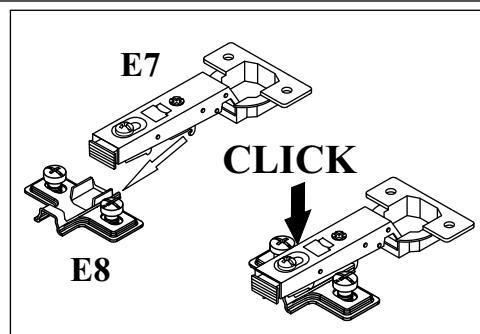
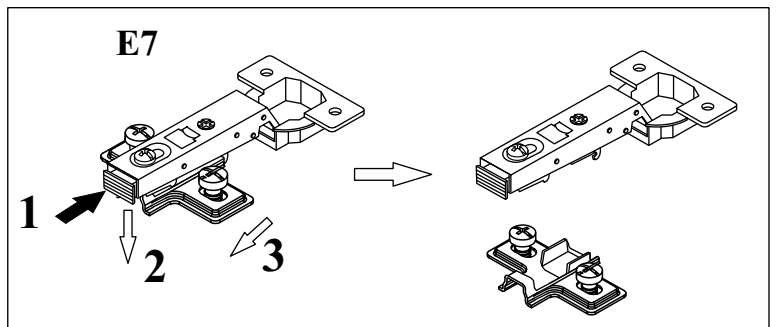


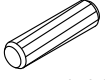
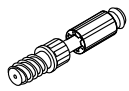

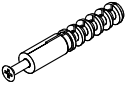


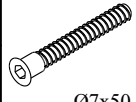

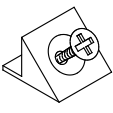

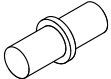
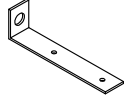
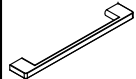
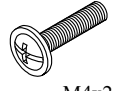
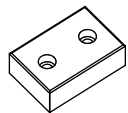


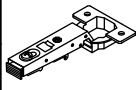
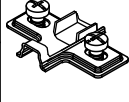
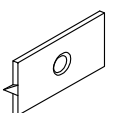
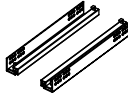
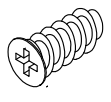
FUNNY TYP 11 3K16_11

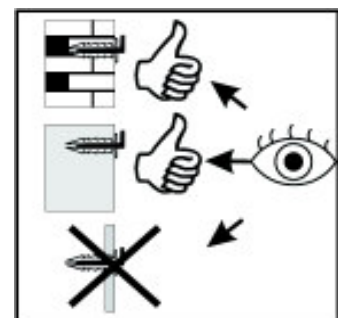
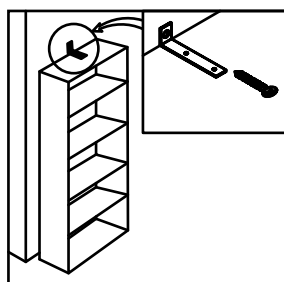
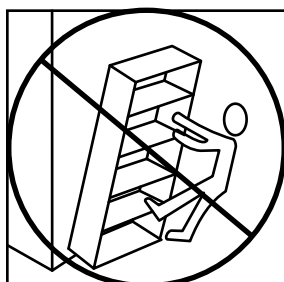
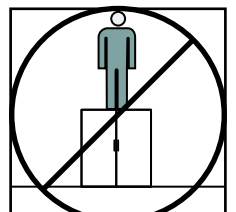
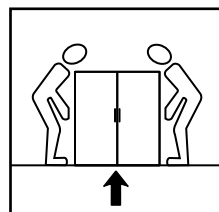
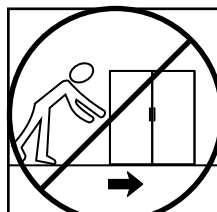
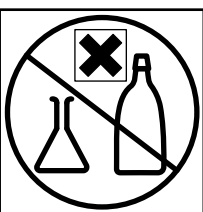
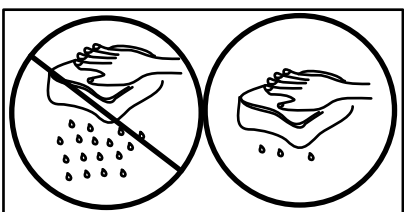
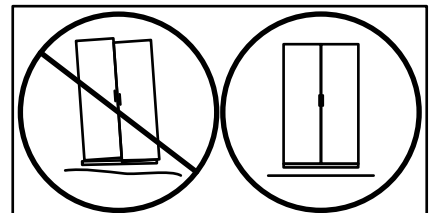
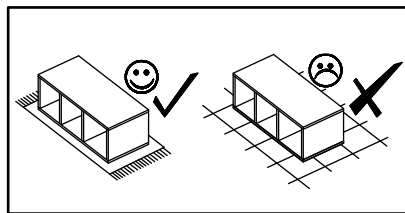
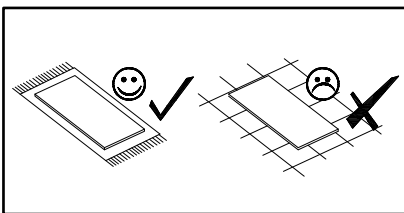
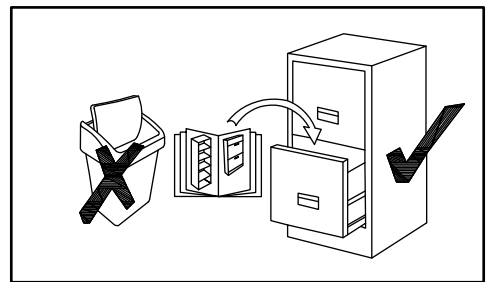
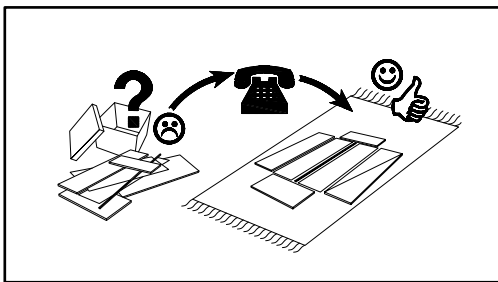
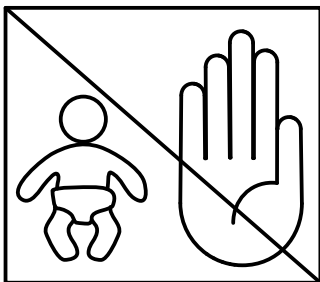
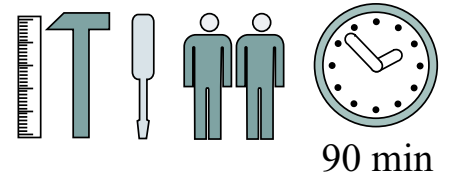
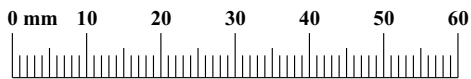


NO	Dim.		Col.-No	Qty
1	991	380	1	1
3	991	380	1	1
2	139	360	1	1
7	842	380	1	1
4	842	380	1	1
5	809	100	1	1
6	809	350	1	2
10	417	856	2	1
11	417	856	2	1
8	417	160	1	1
9	417	160	1	1
12	300	100	1	2
13	300	100	1	2
14	356	86	1	2
16L	1002	410	2	1
16P	1002	410	2	1
15	367	305	1	2

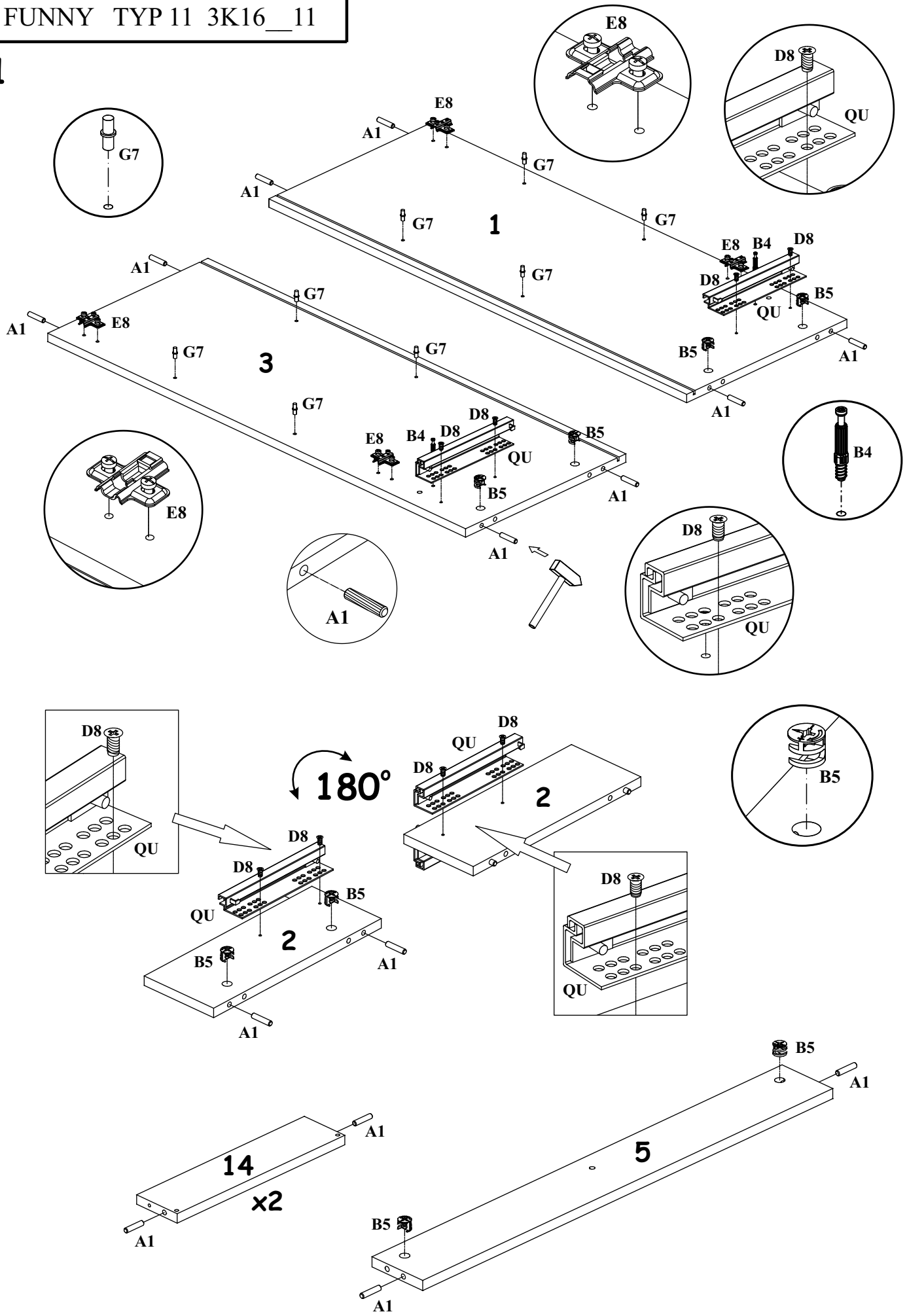


FUNNY TYP 11 3K16__11

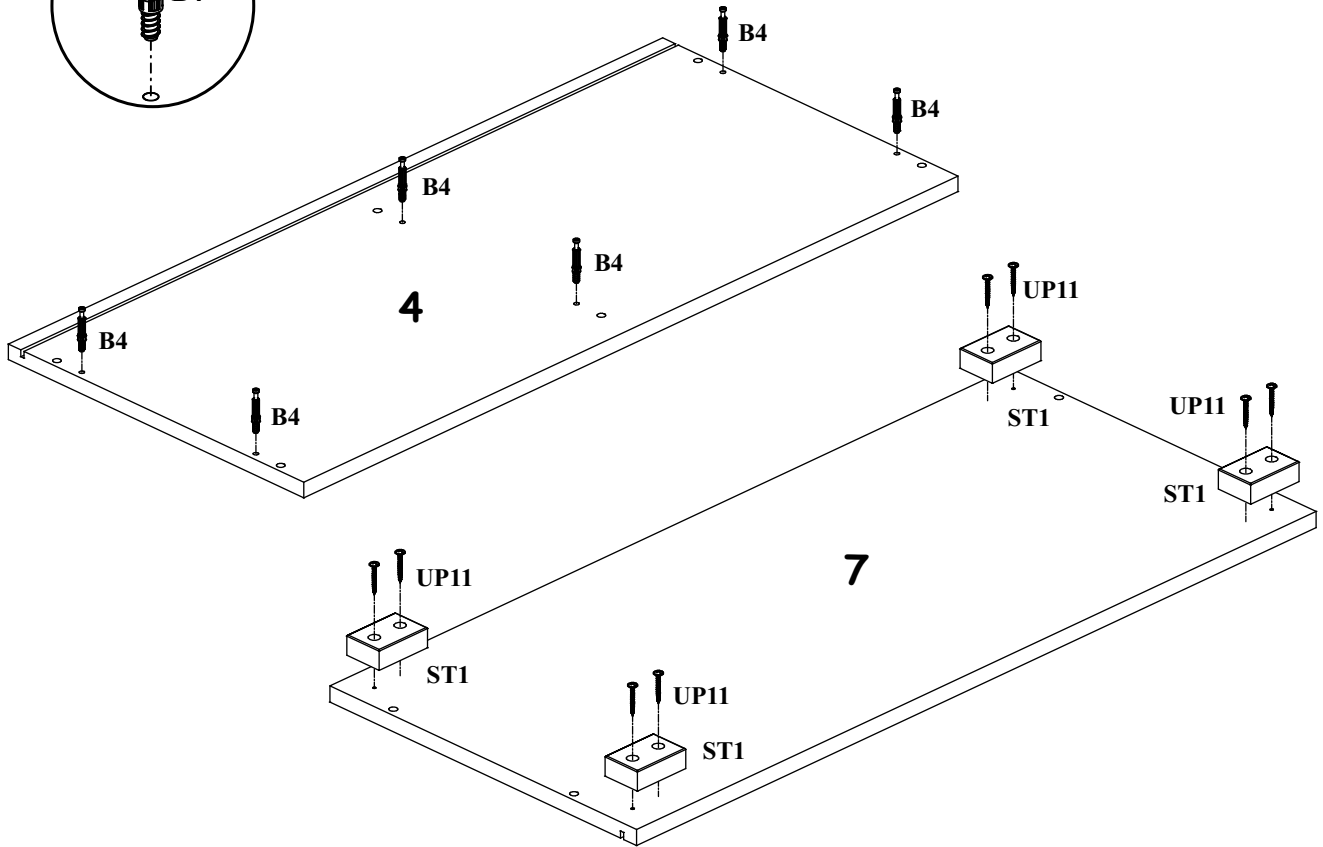
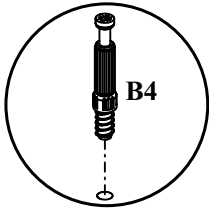
A1 X21  ø8x36	B4 X12 	B5 X12  ø15x12	KR1 X1 	G5 X12 	G2 X1 
B11 X9  Ø7x50	G4 X9 	S1 X18 	D10 X10  USØ3,5x13	G7 X8 	L1 X1 
U11 X4 	D5 X8  M4x25	ST1 X4 	UP13 X9  UPØ3x16	UP11 X8  UPØ4x20	
E7 X4 	E8 X4 	G16 X1 	QU X2  L-300mm	D8 X8  ESØ5x13	



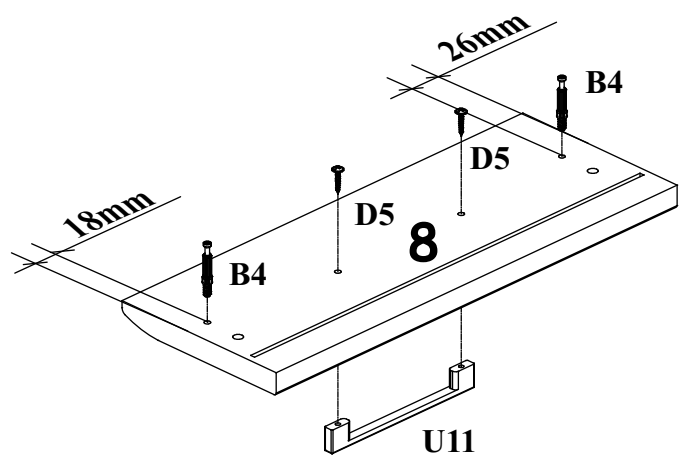
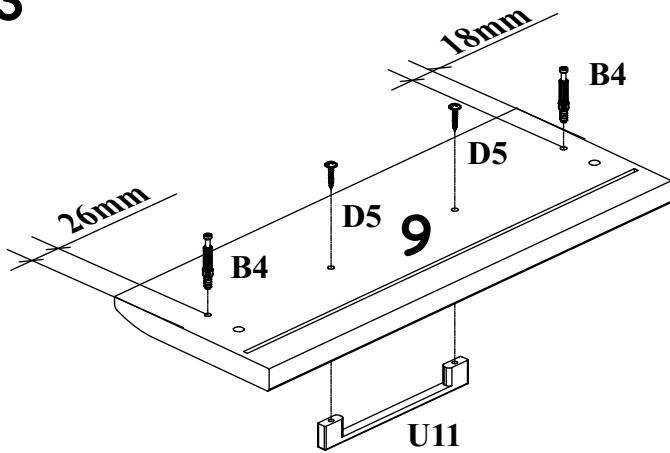
1



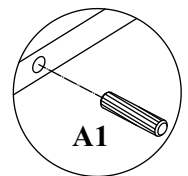
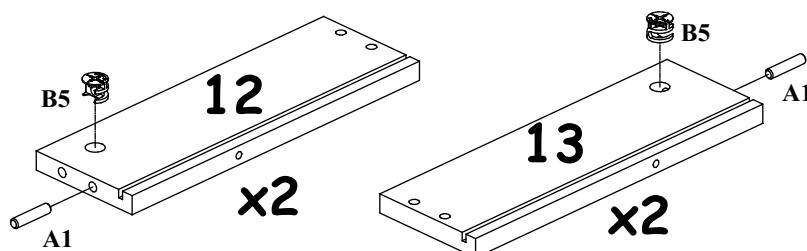
2



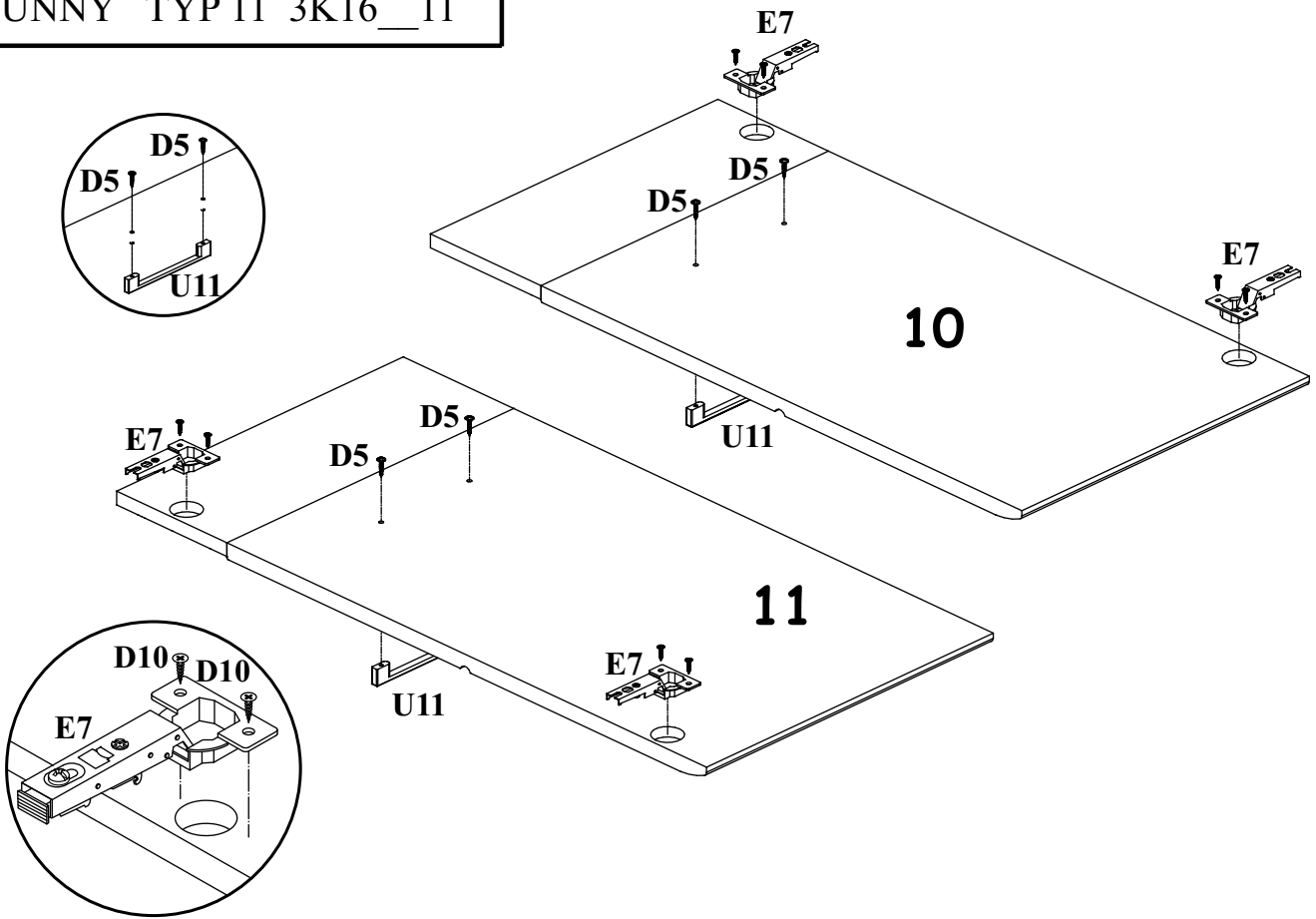
3



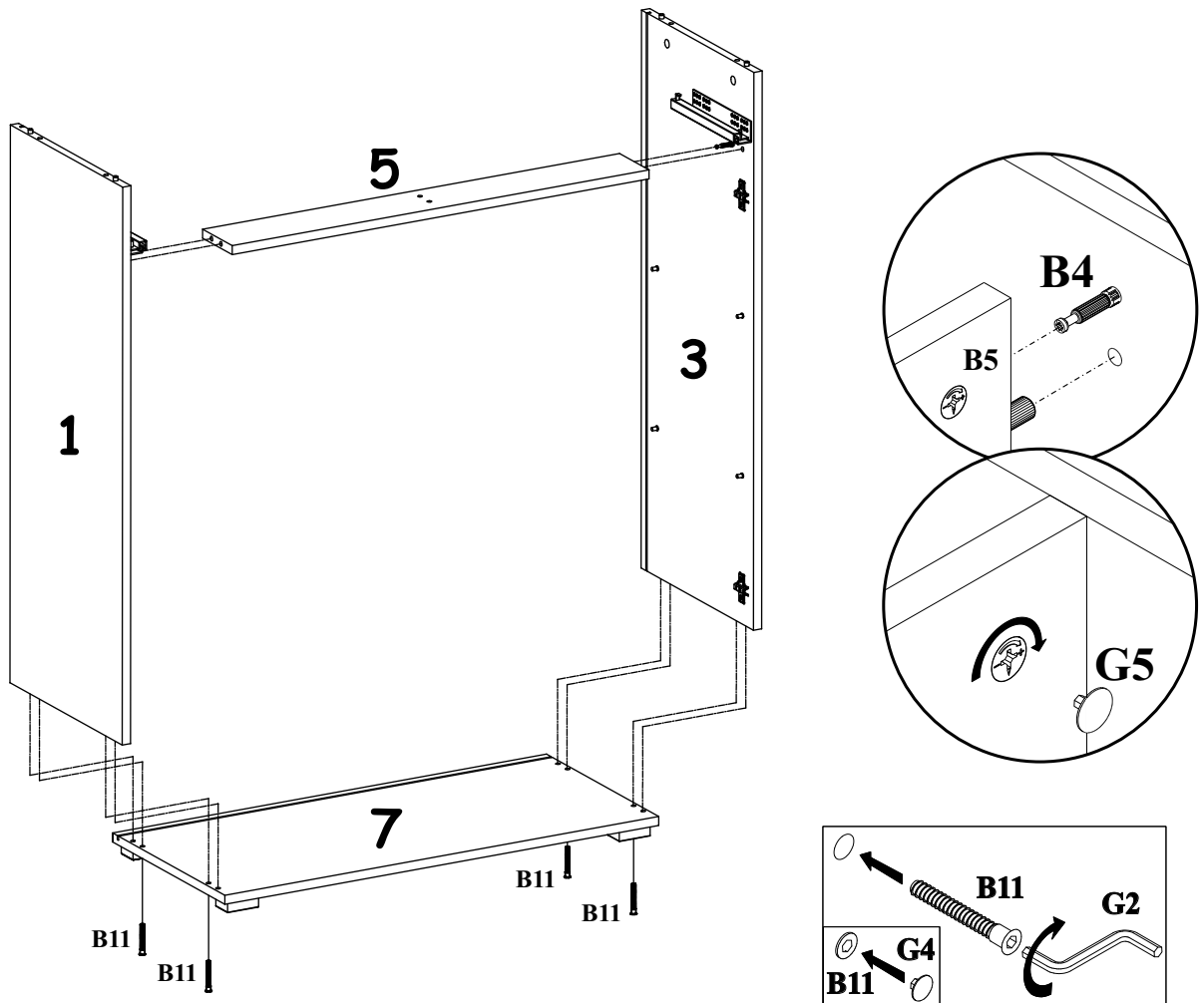
4



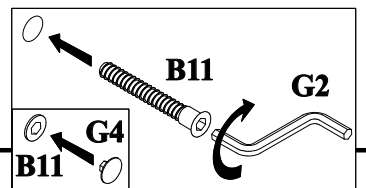
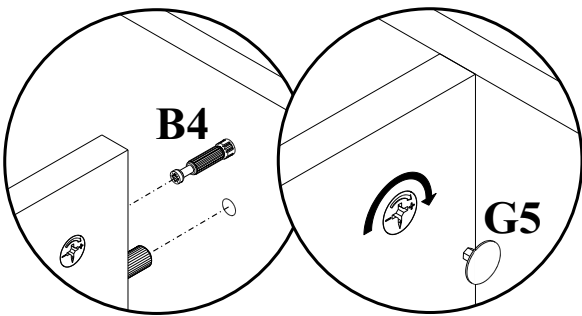
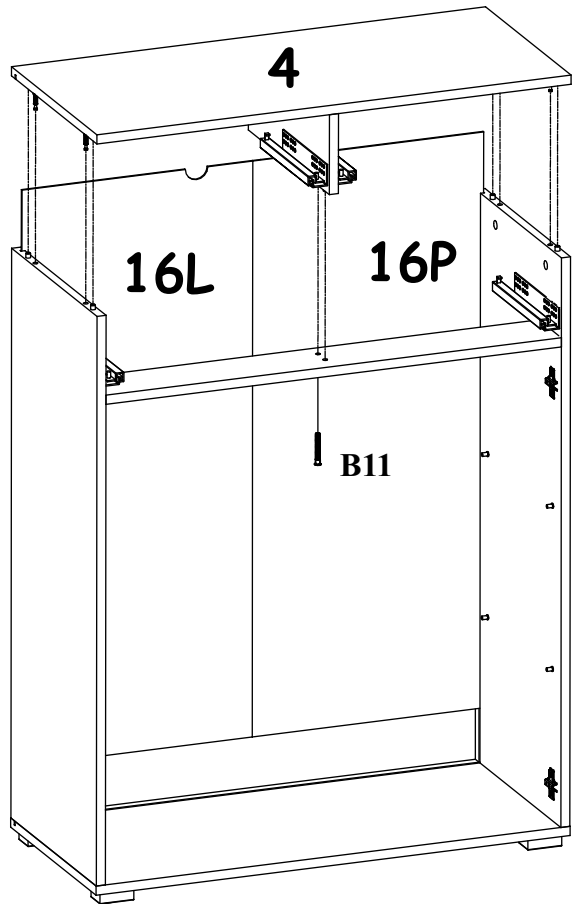
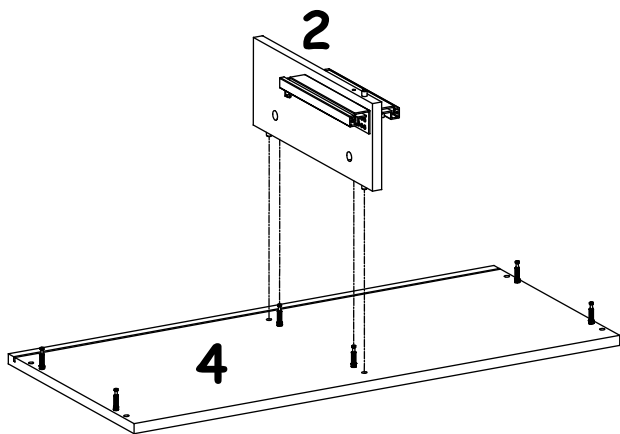
5



6

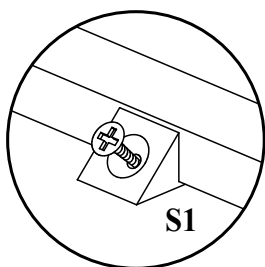
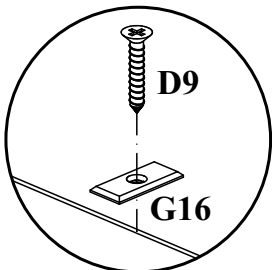
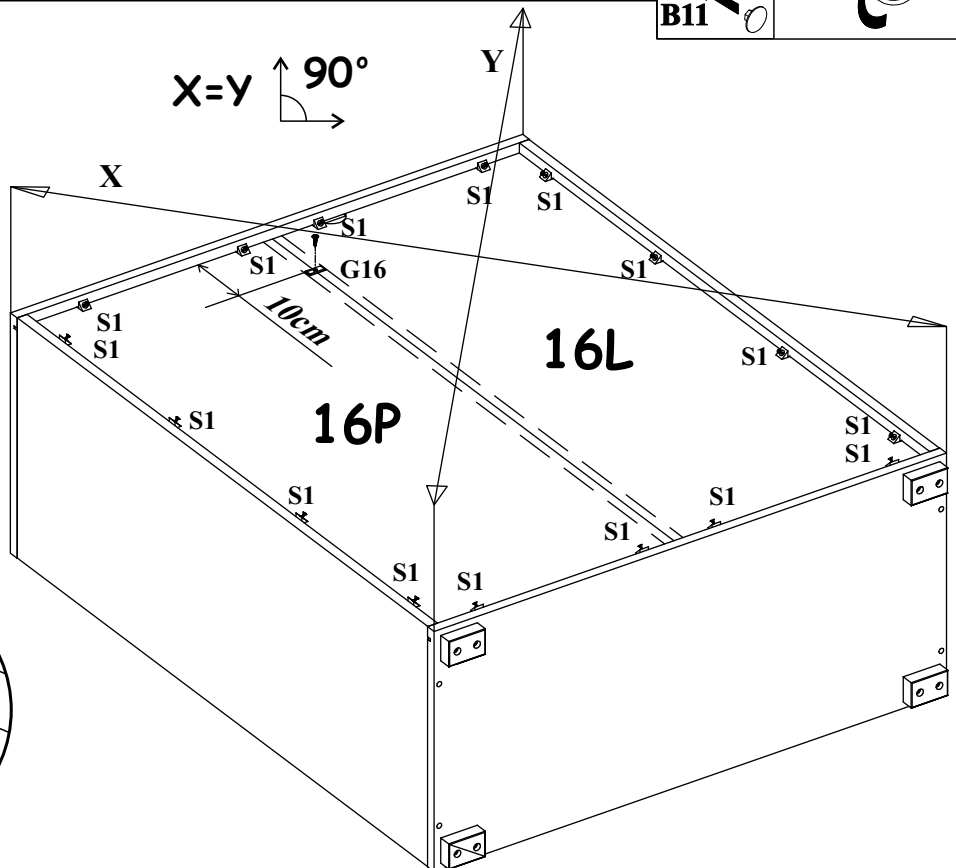


7

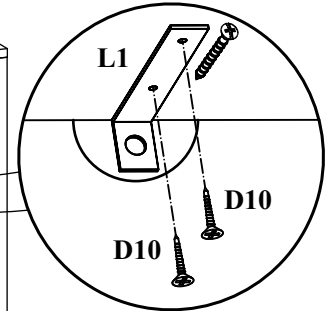
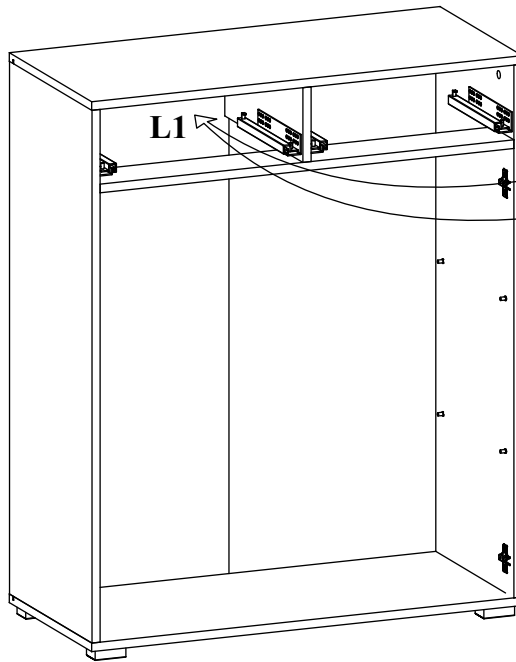
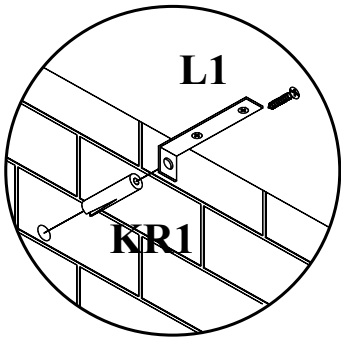
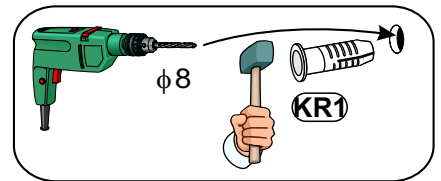


8

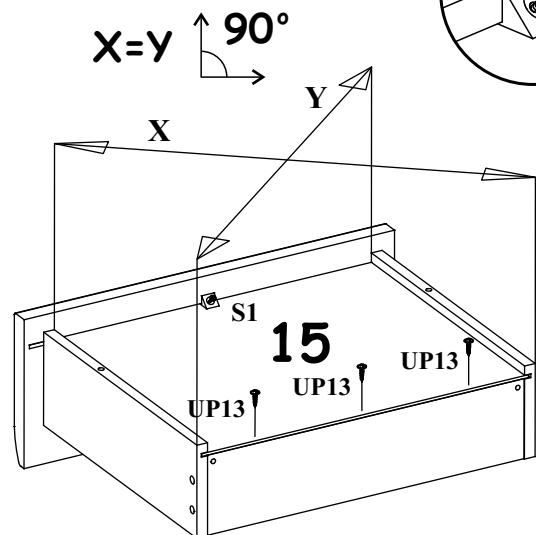
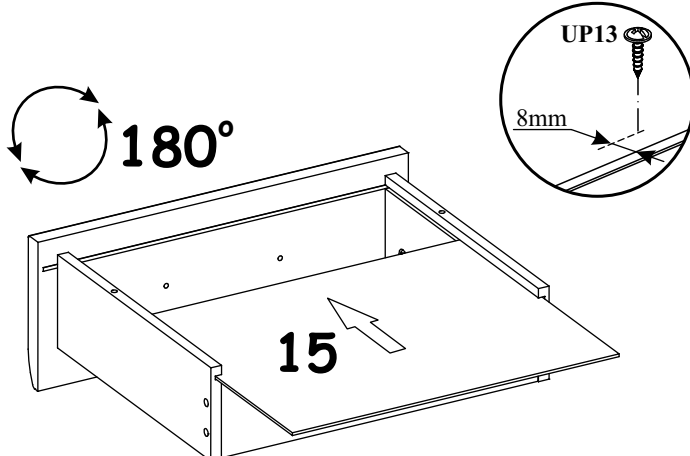
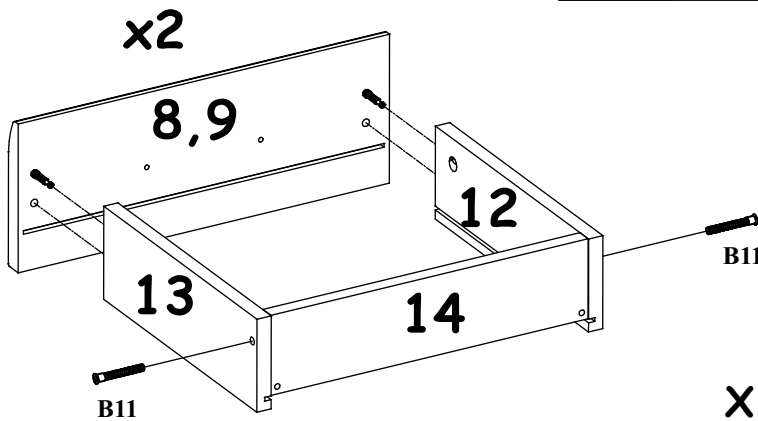
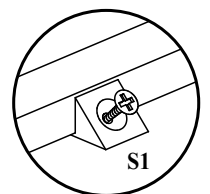
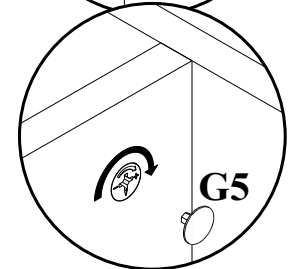
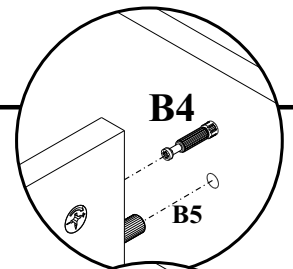
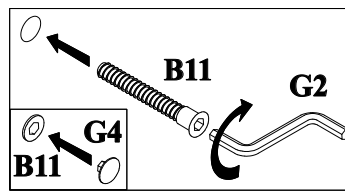
$X=Y$ 90°



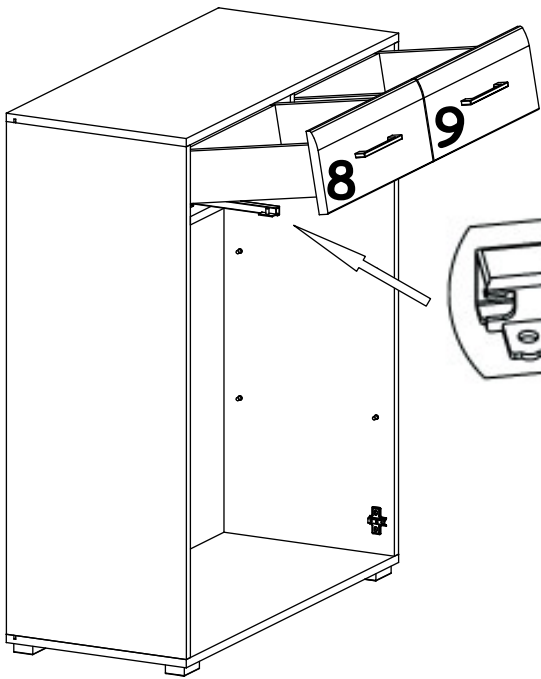
9



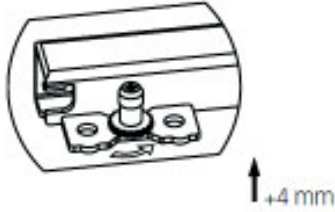
10



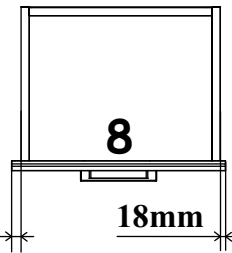
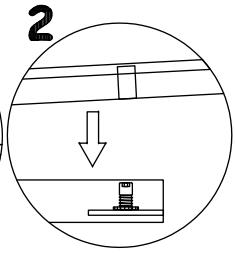
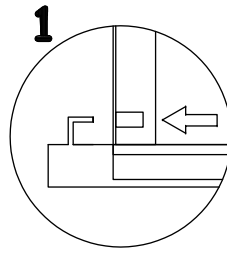
11



1 ↓ 2
←



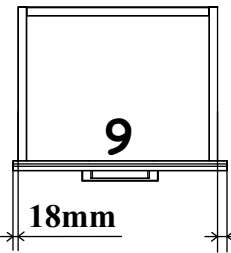
↑+4mm



26mm

8

18mm

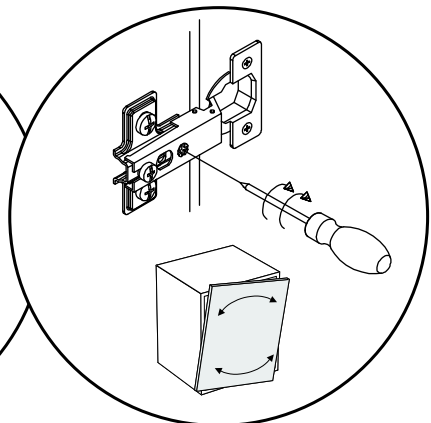
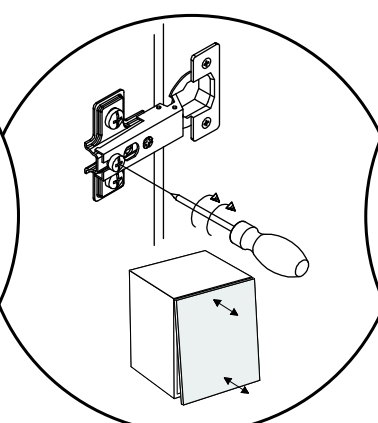
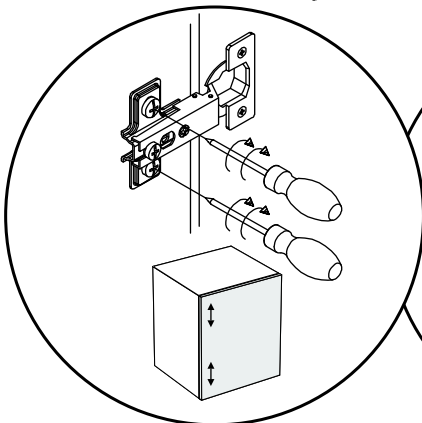
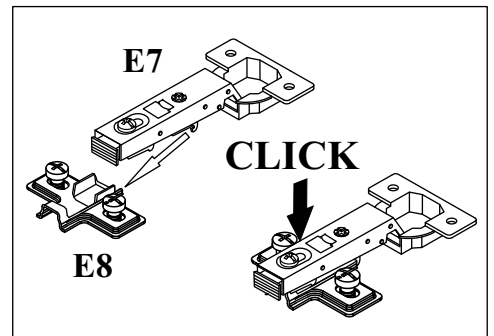
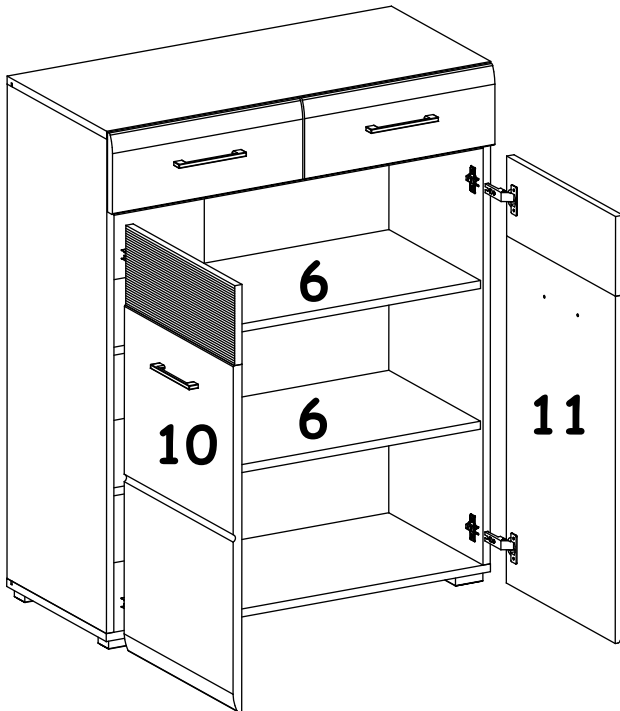


9

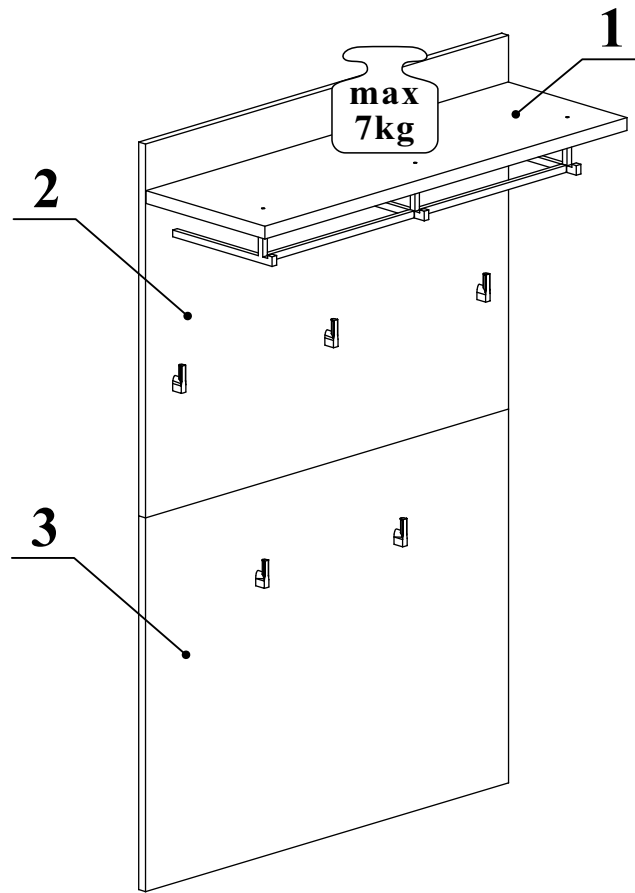
18mm

26mm

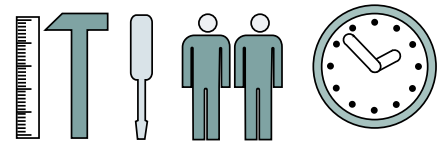
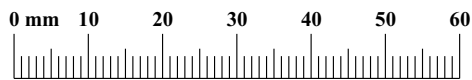
12



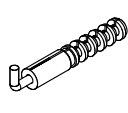


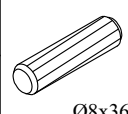
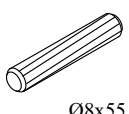


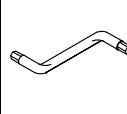
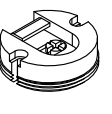

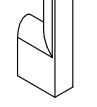
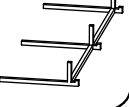

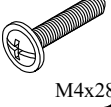

FUNNY TYP 41 3K16_41

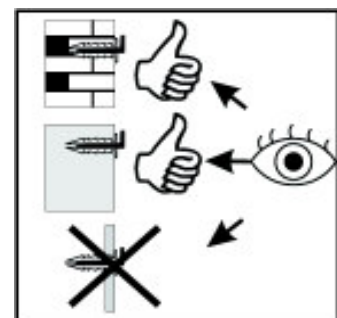
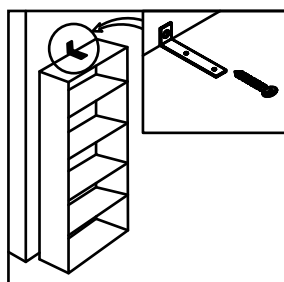
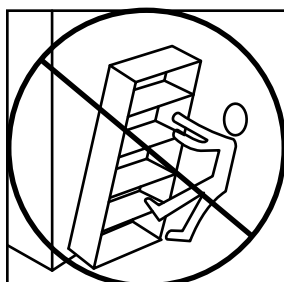
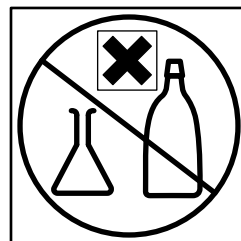
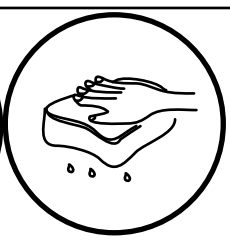
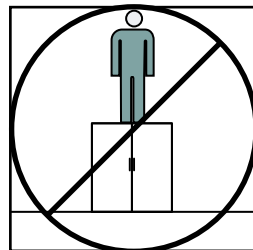
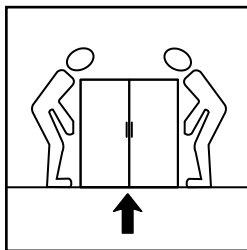
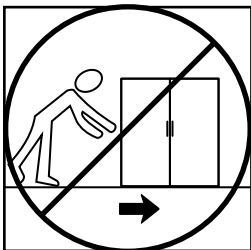
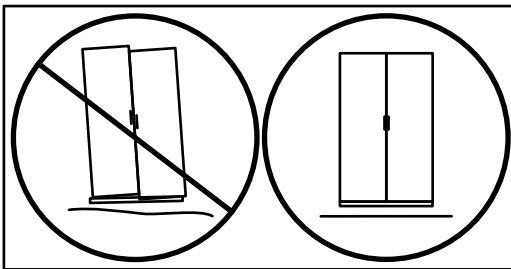
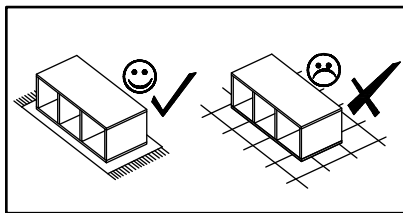
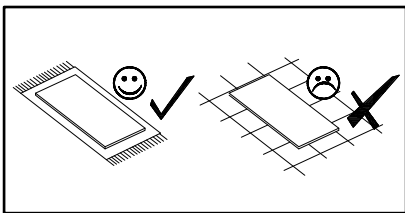
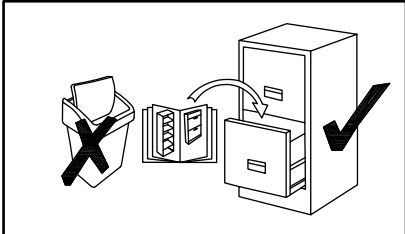
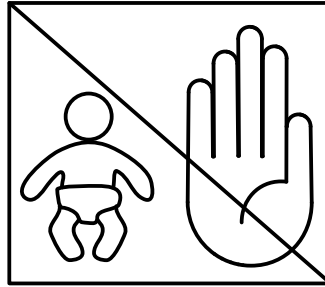
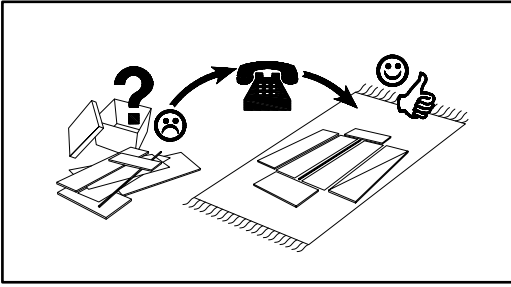


NO	Dim.		Col.-No	Qty
2	840	641	1	1
3	840	641	1	1
1	838	275	1	1

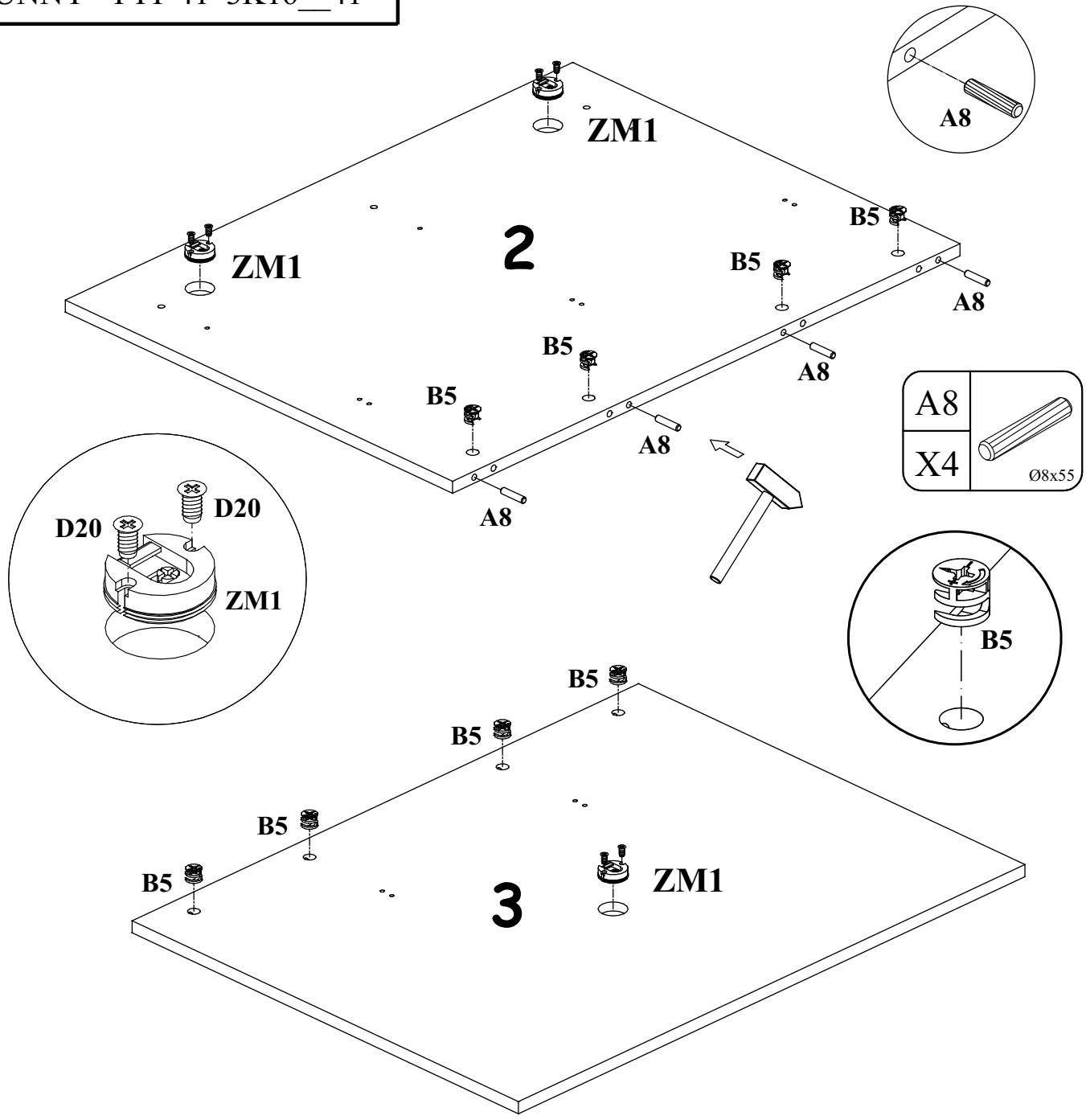


60 min

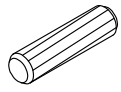
KR2 X3 	B5 X8  ø15x12	G5 X8 				
A1 X4  Ø8x36	A8 X4  Ø8x55	B11 X3  Ø7x50	G4 X3 	G2 X1 	ZM1 X3 	
B2 X4  Ø7x60	WS2 X5 	C9 X1 	D26 X13  M4x22	D28 X3  M4x28	D20 X6  ESØ6x9,5	

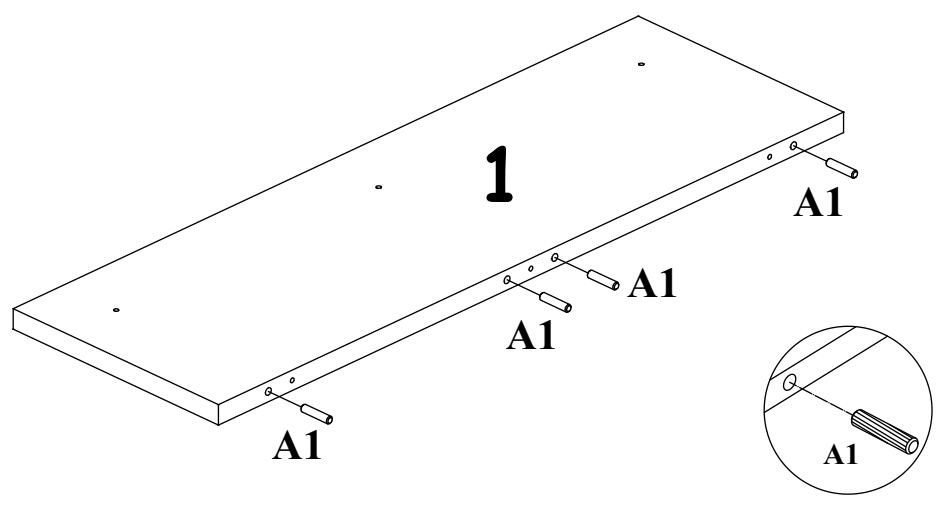


1

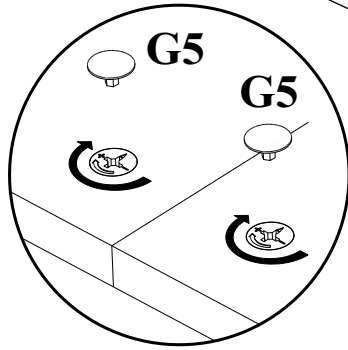
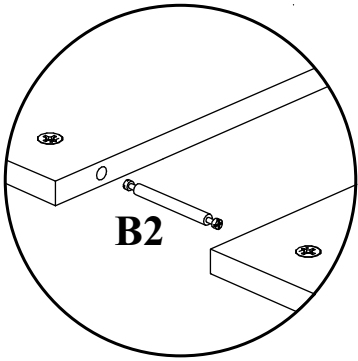
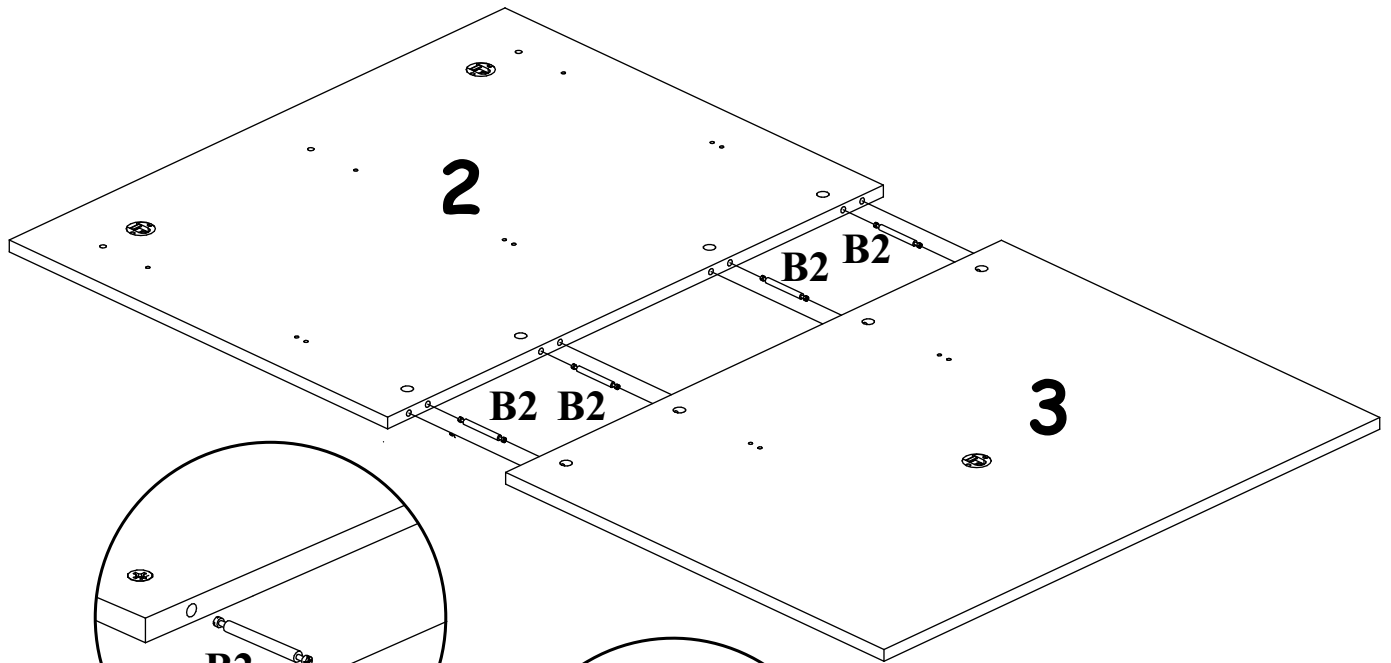


2

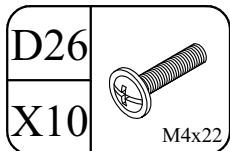
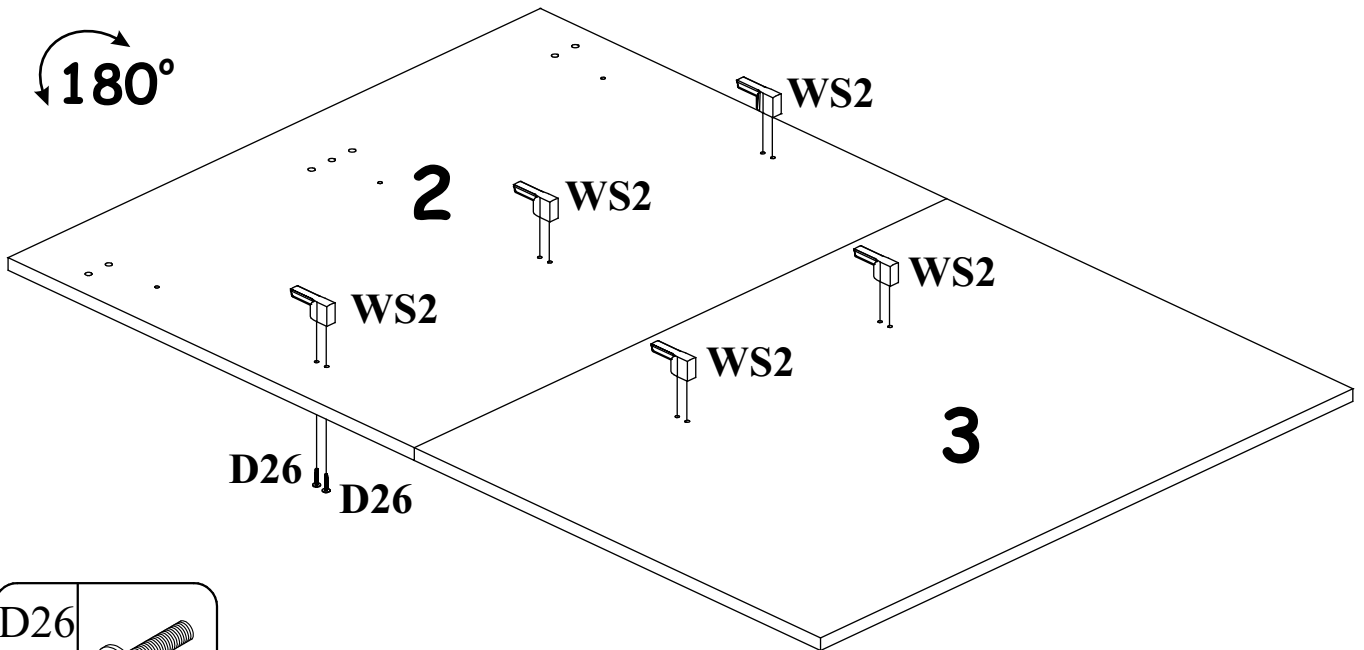
- | | |
|----|---|
| A1 |  |
| X4 | Ø8x36 |



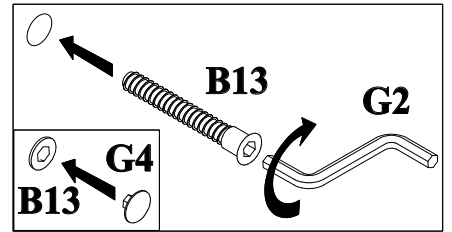
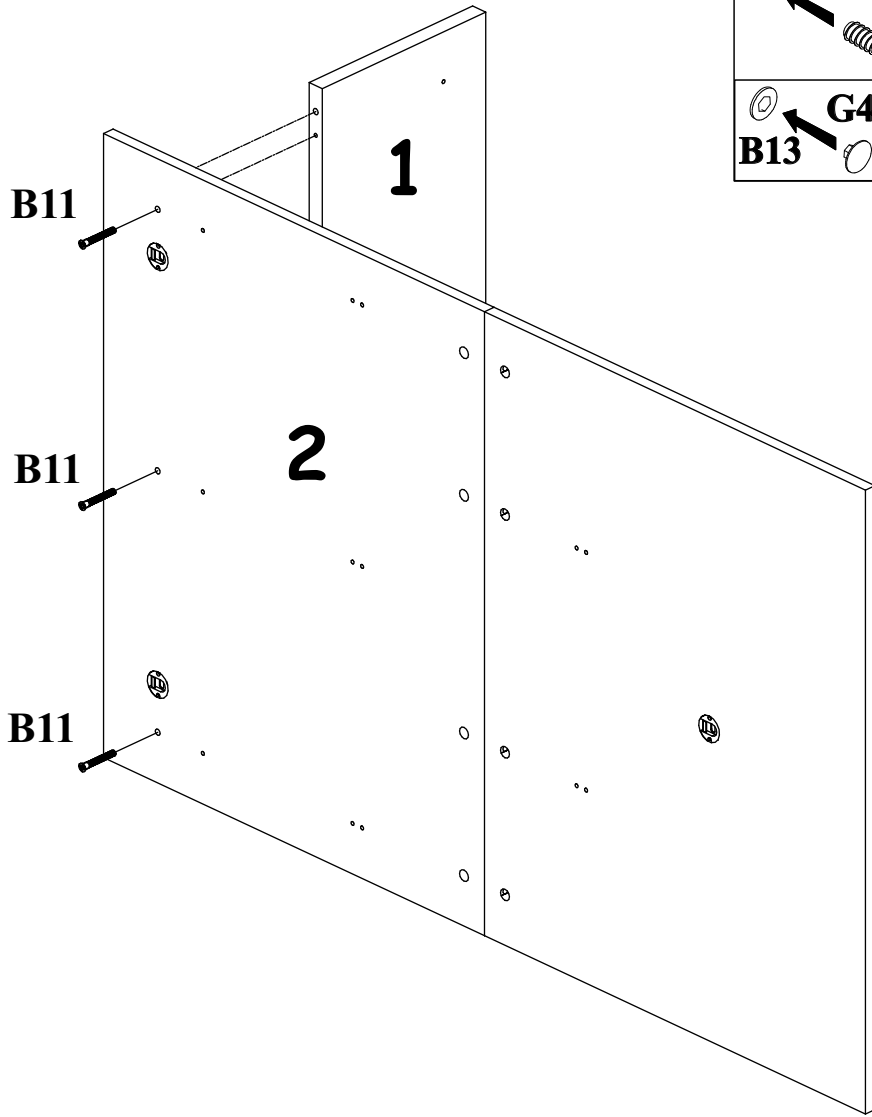
3



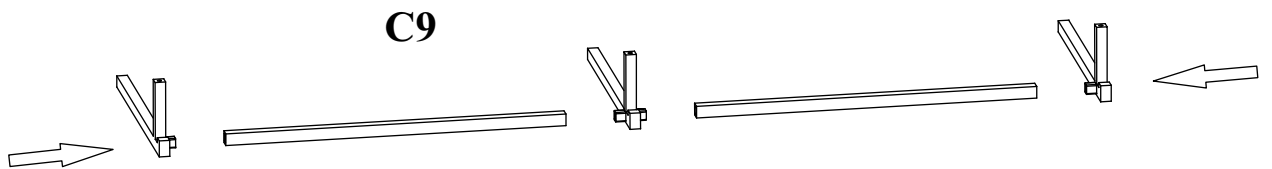
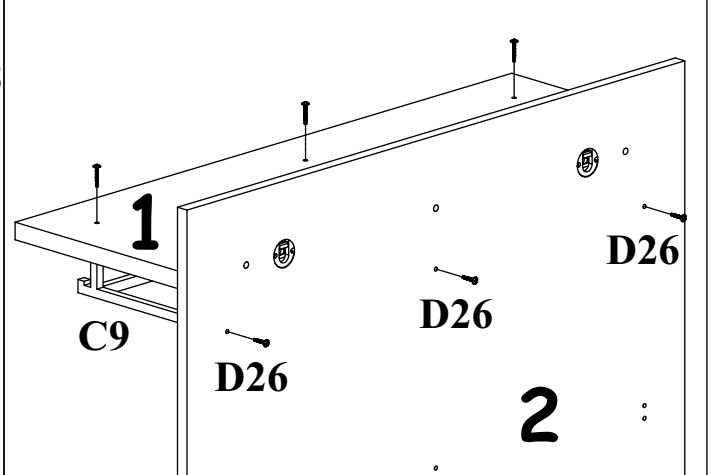
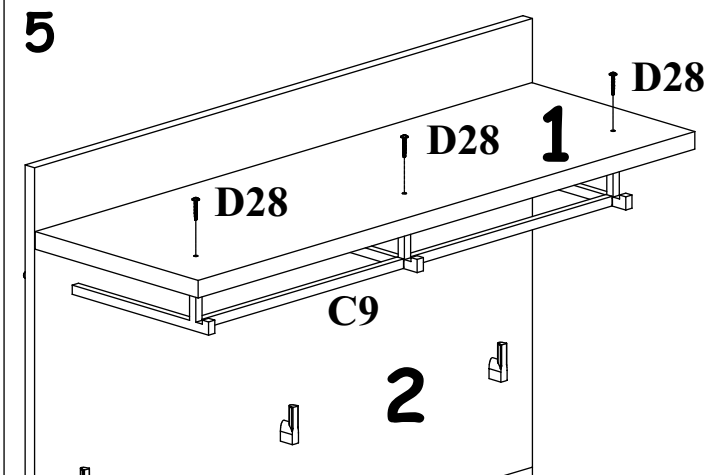
180°



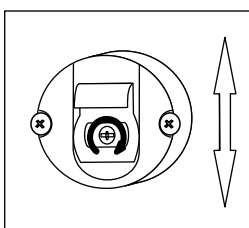
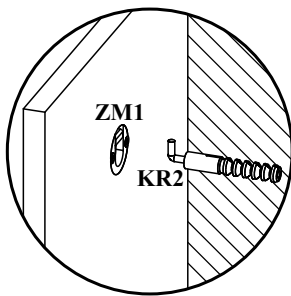
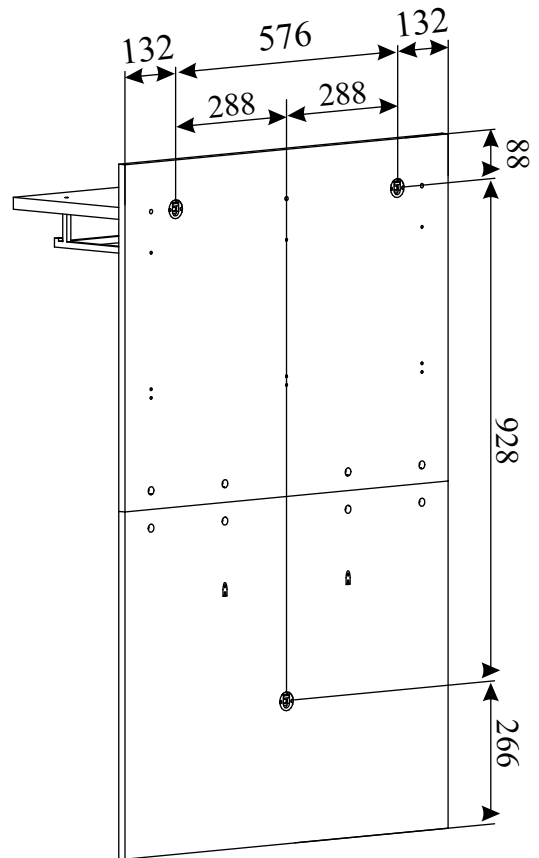
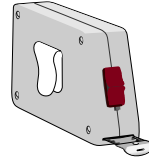
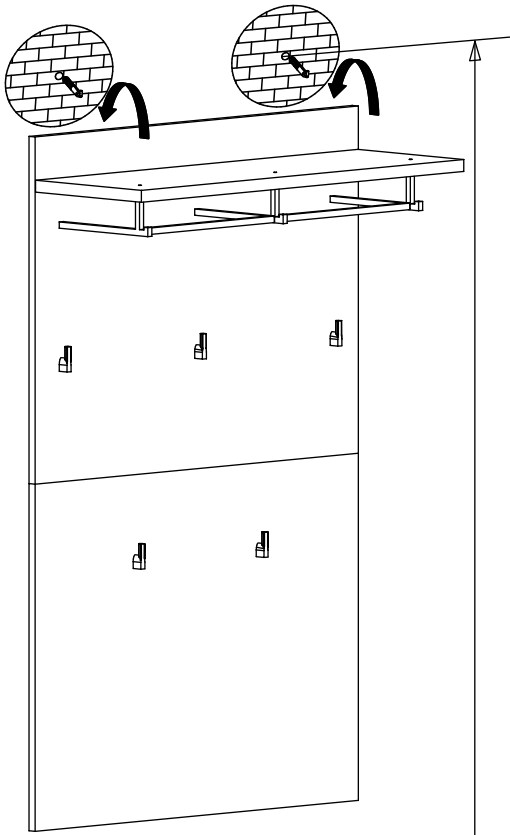
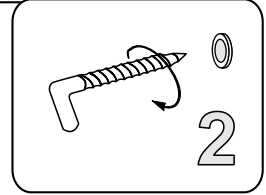
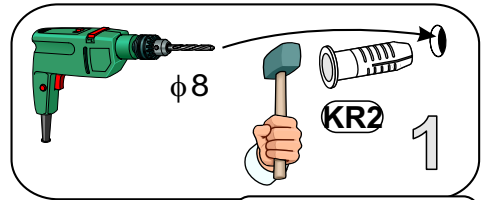
4



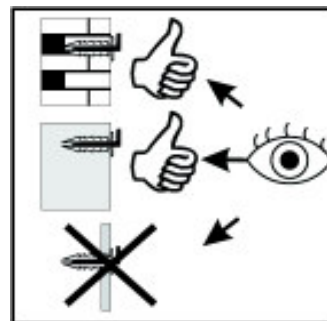
5



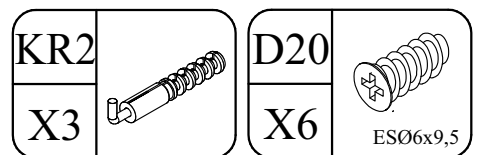
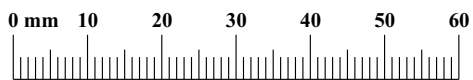
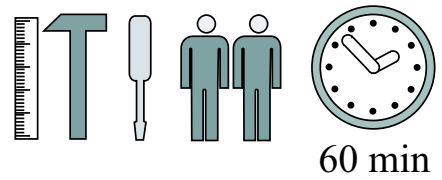
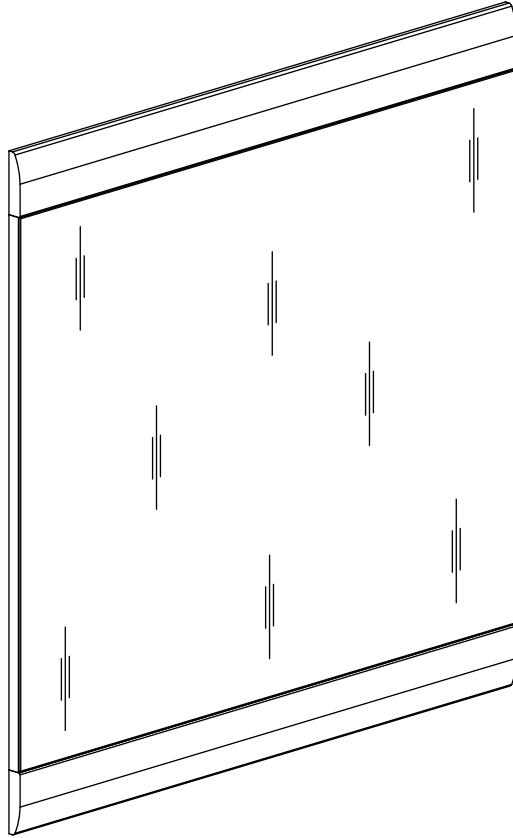
6

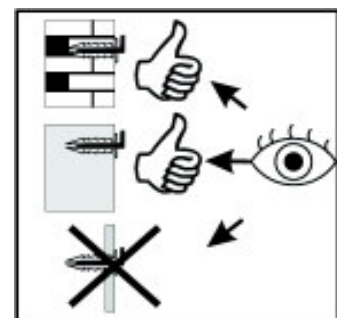
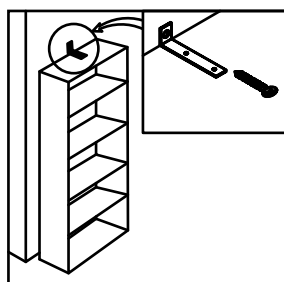
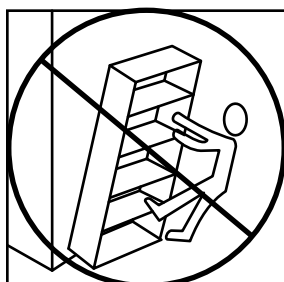
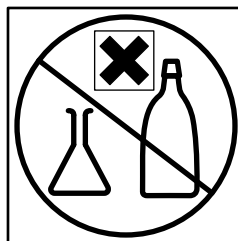
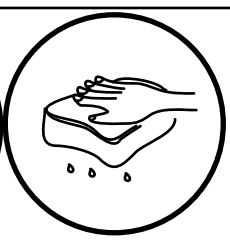
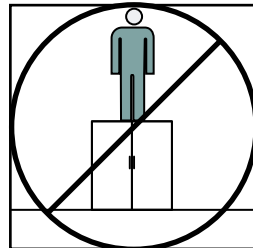
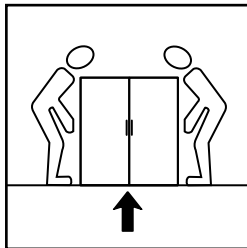
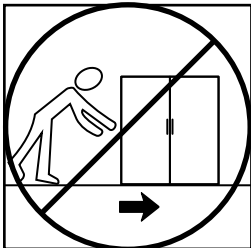
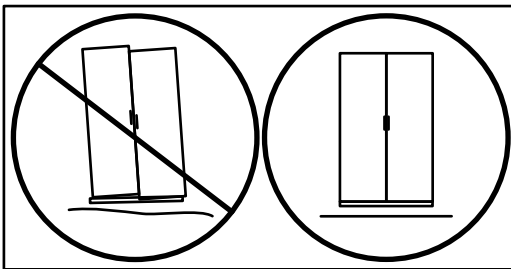
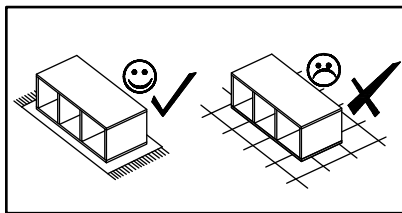
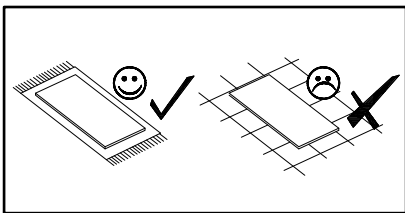
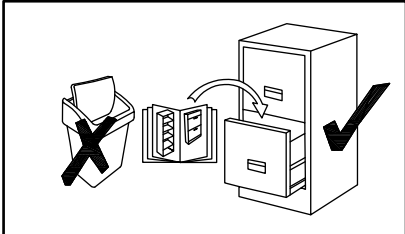
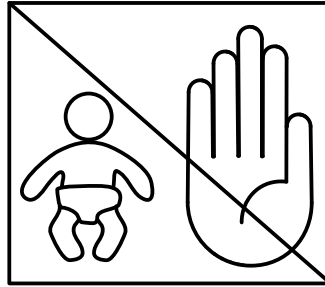
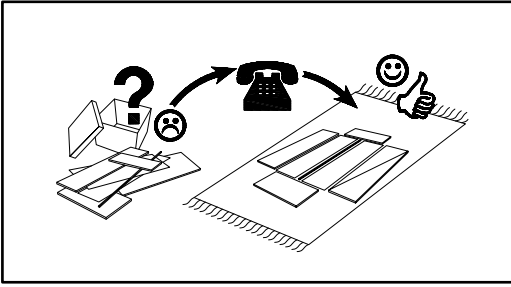


ZM1

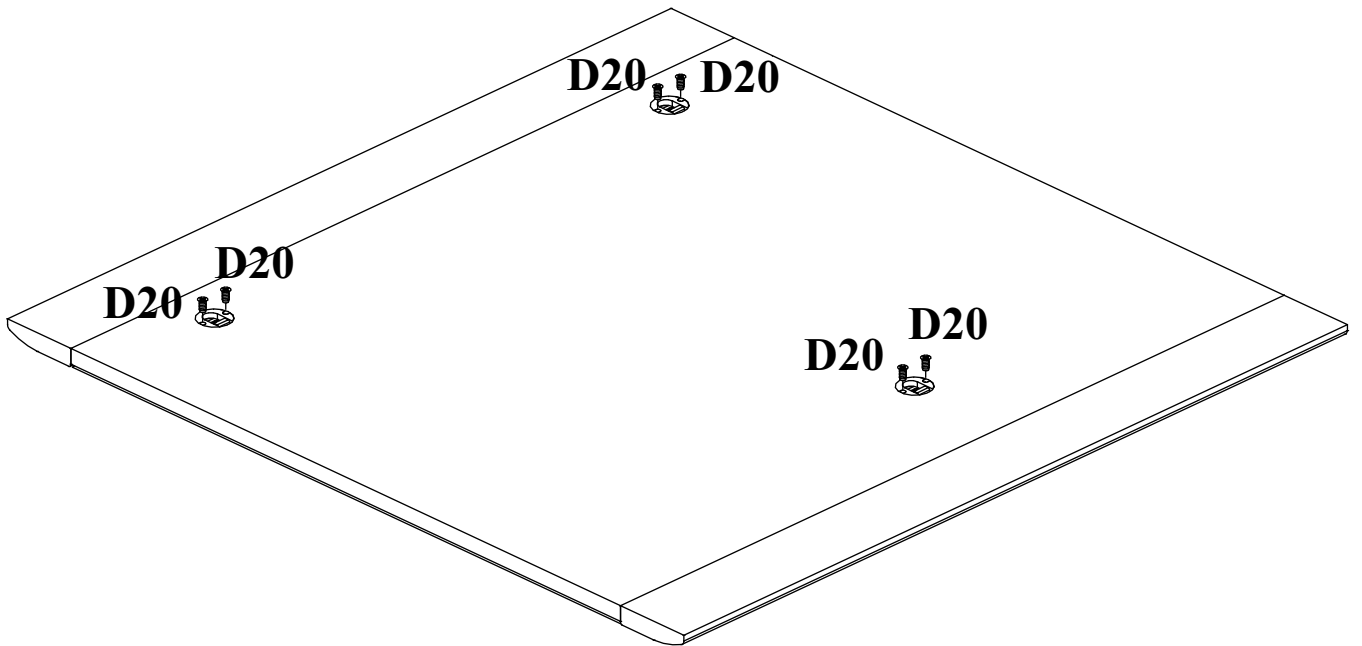
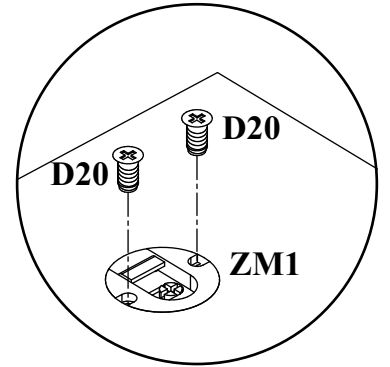
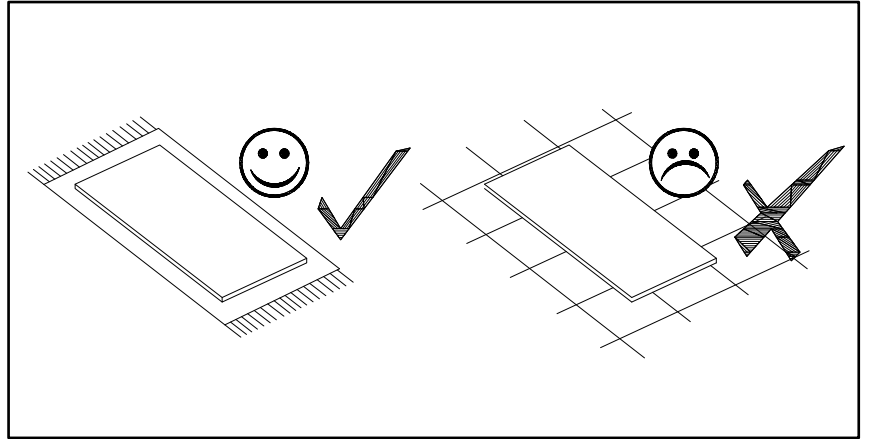


FUNNY TYP 50 3K16_50

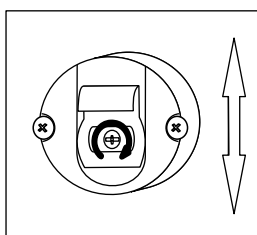
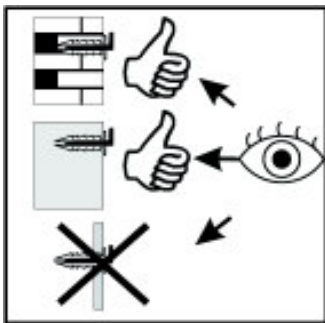
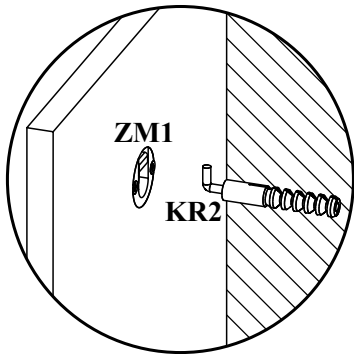
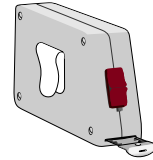
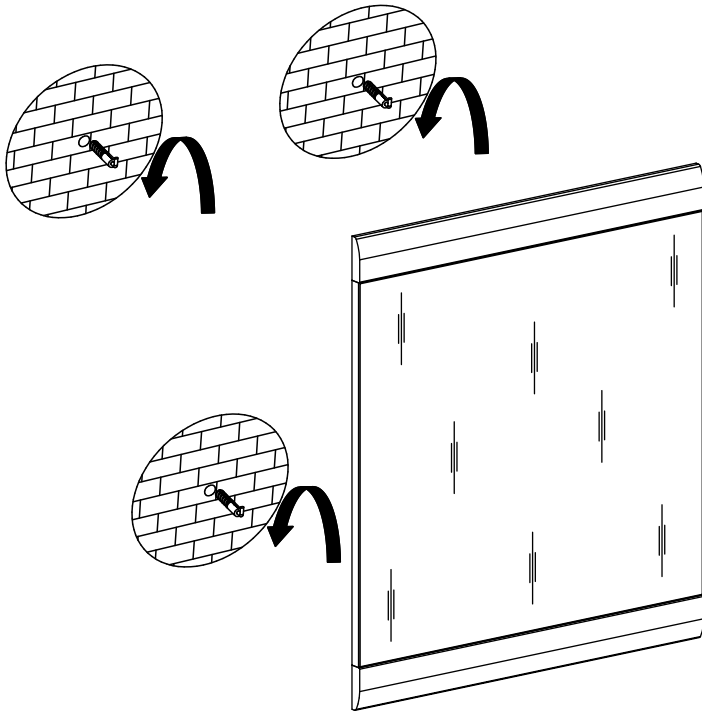
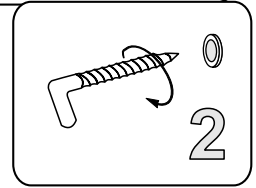
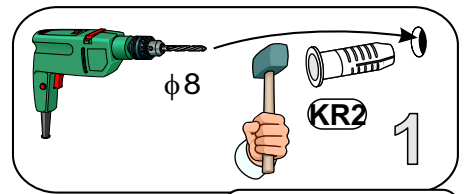




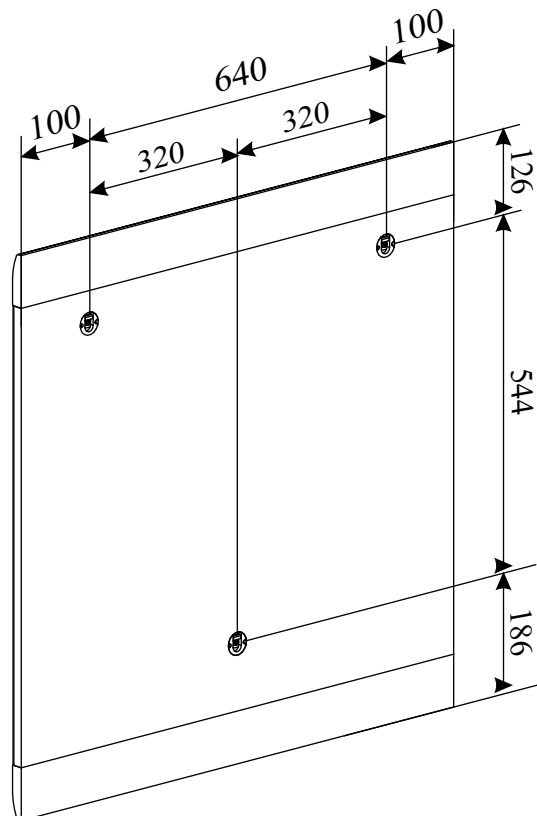
1



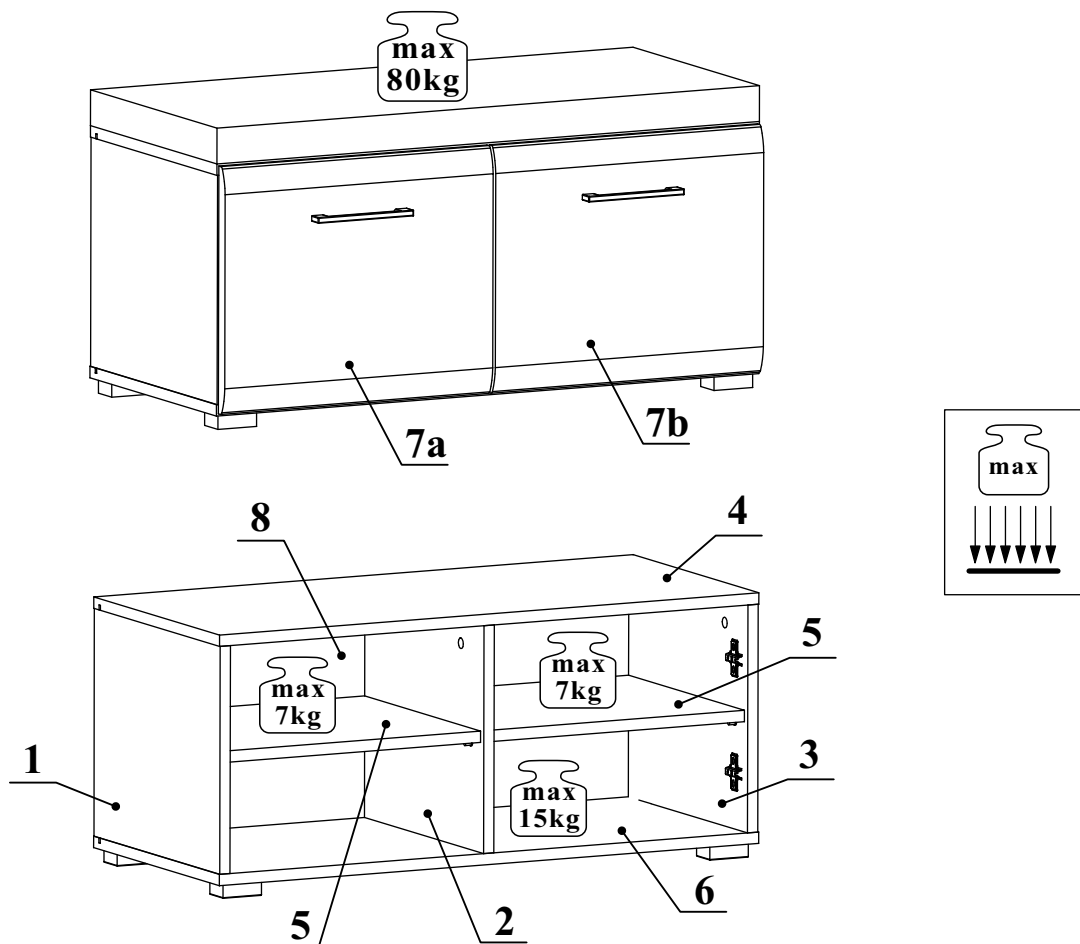
2



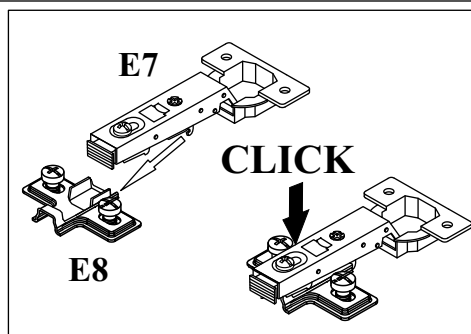
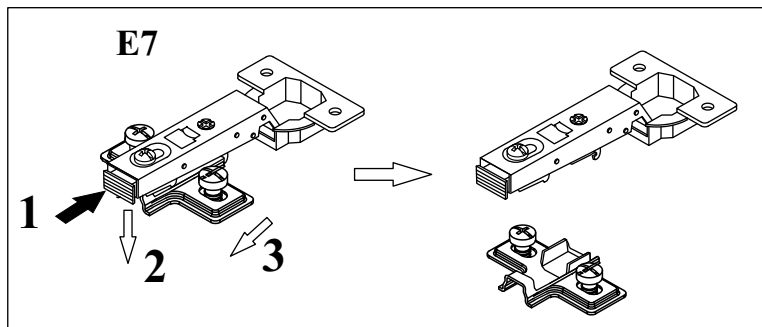
ZM1



FUNNY TYP 60 3K16_60

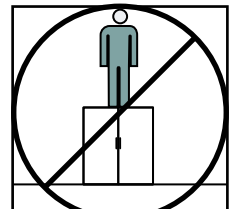
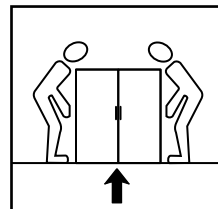
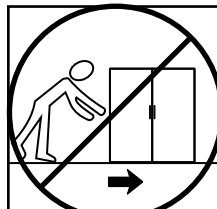
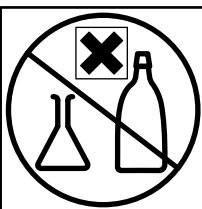
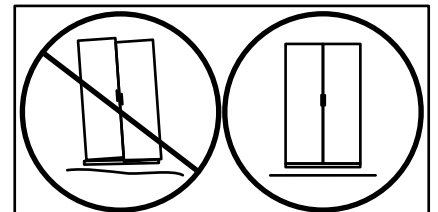
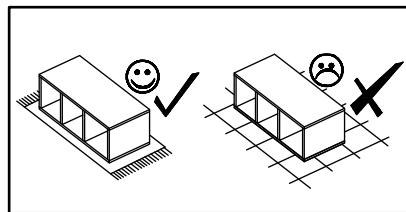
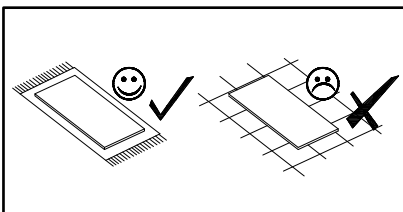
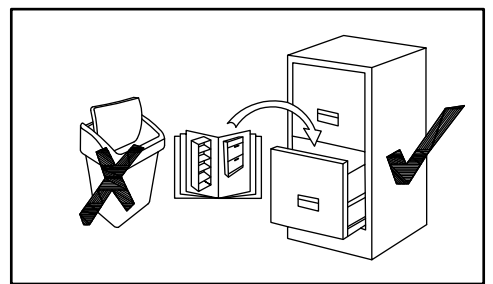
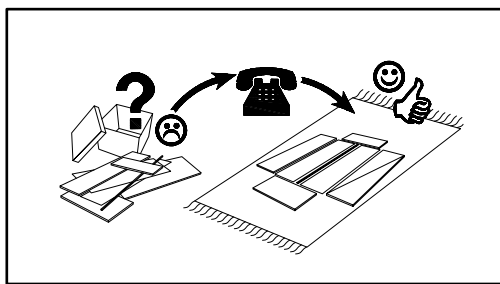
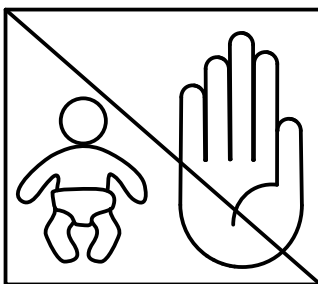
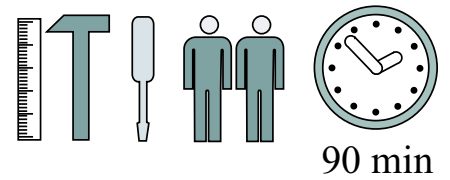
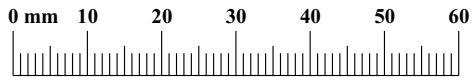


NO	Dim.		Col.-No	Qty
1	320	380	1	1
3	320	380	1	1
2	320	360	1	1
5	396	350	1	2
6	842	380	1	1
4	842	380	1	1
7	417	348	1	2
8	820	332	1	1

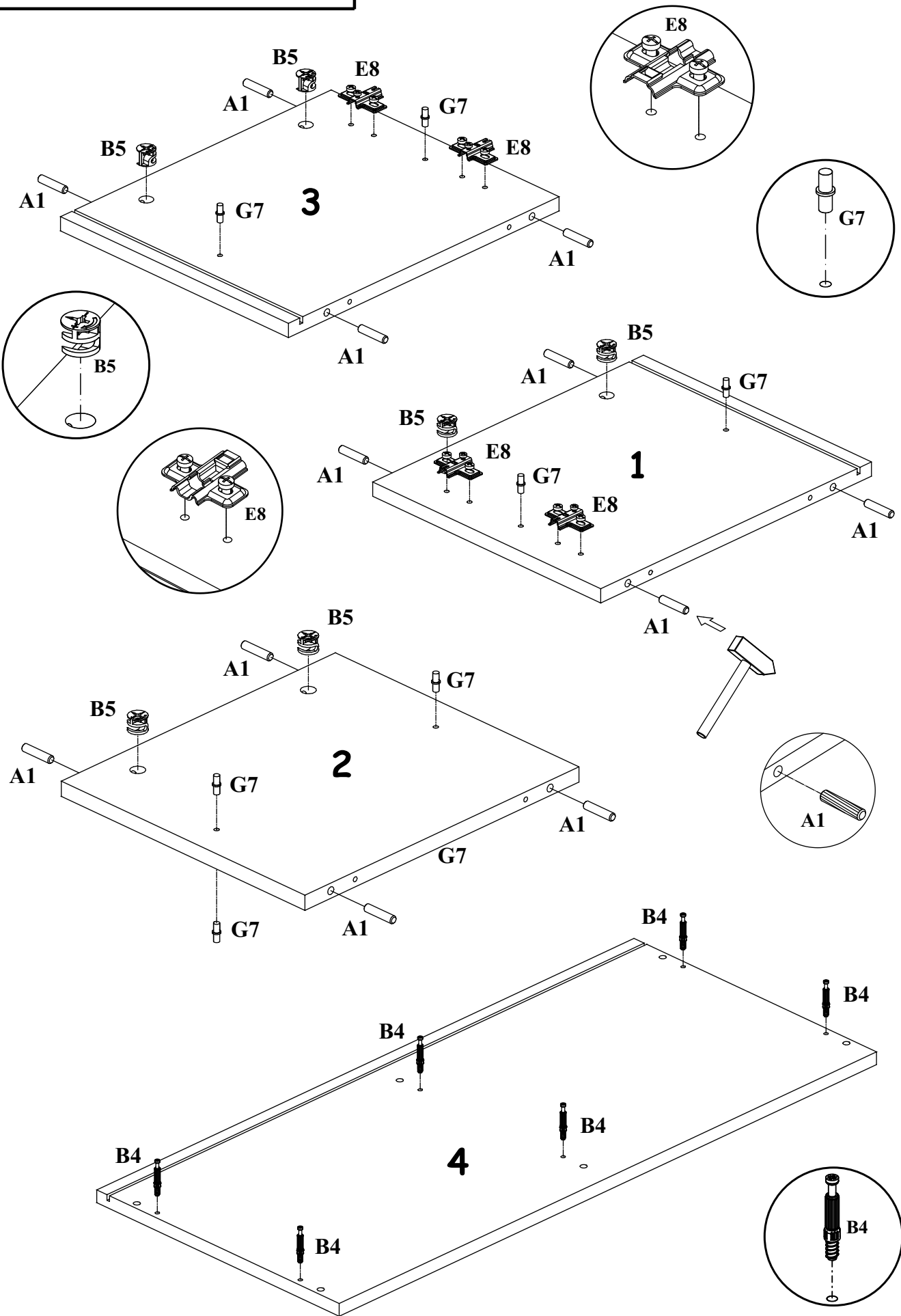


FUNNY TYP 60 3K16__60

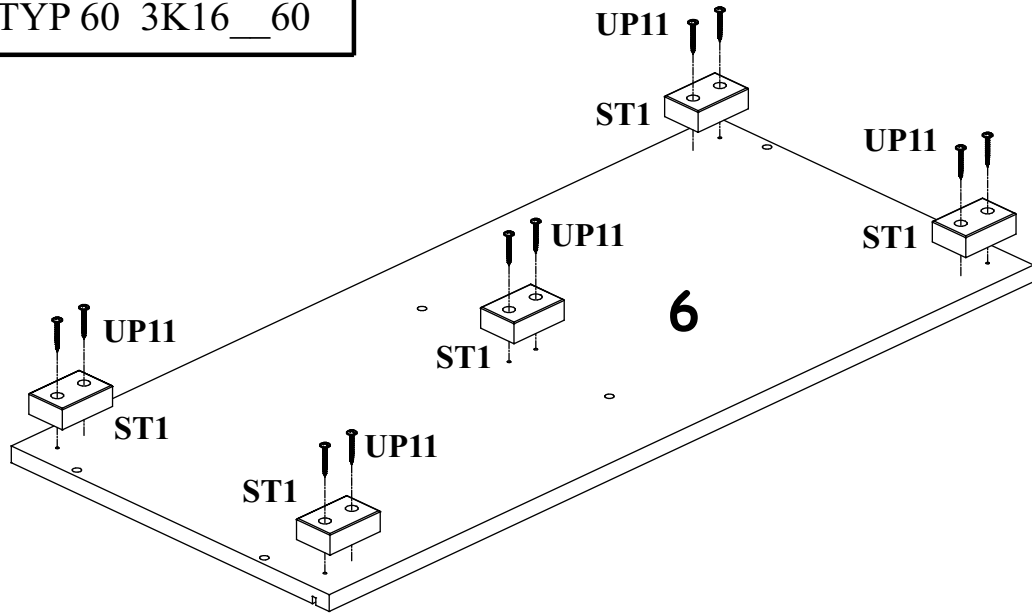
A1 X12 ø8x36	B4 X6	B5 X6 ø15x12	Z2 X4 Ø5	G5 X6	G2 X1
B11 X6 Ø7x50	G4 X6	S1 X8	D10 X8 USØ3,5x13	G7 X8	UP11 X10 UPØ4x20
E7 X4	E8 X4	U11 X2	D5 X4 M4x25	ST1 X5	
PS X1					



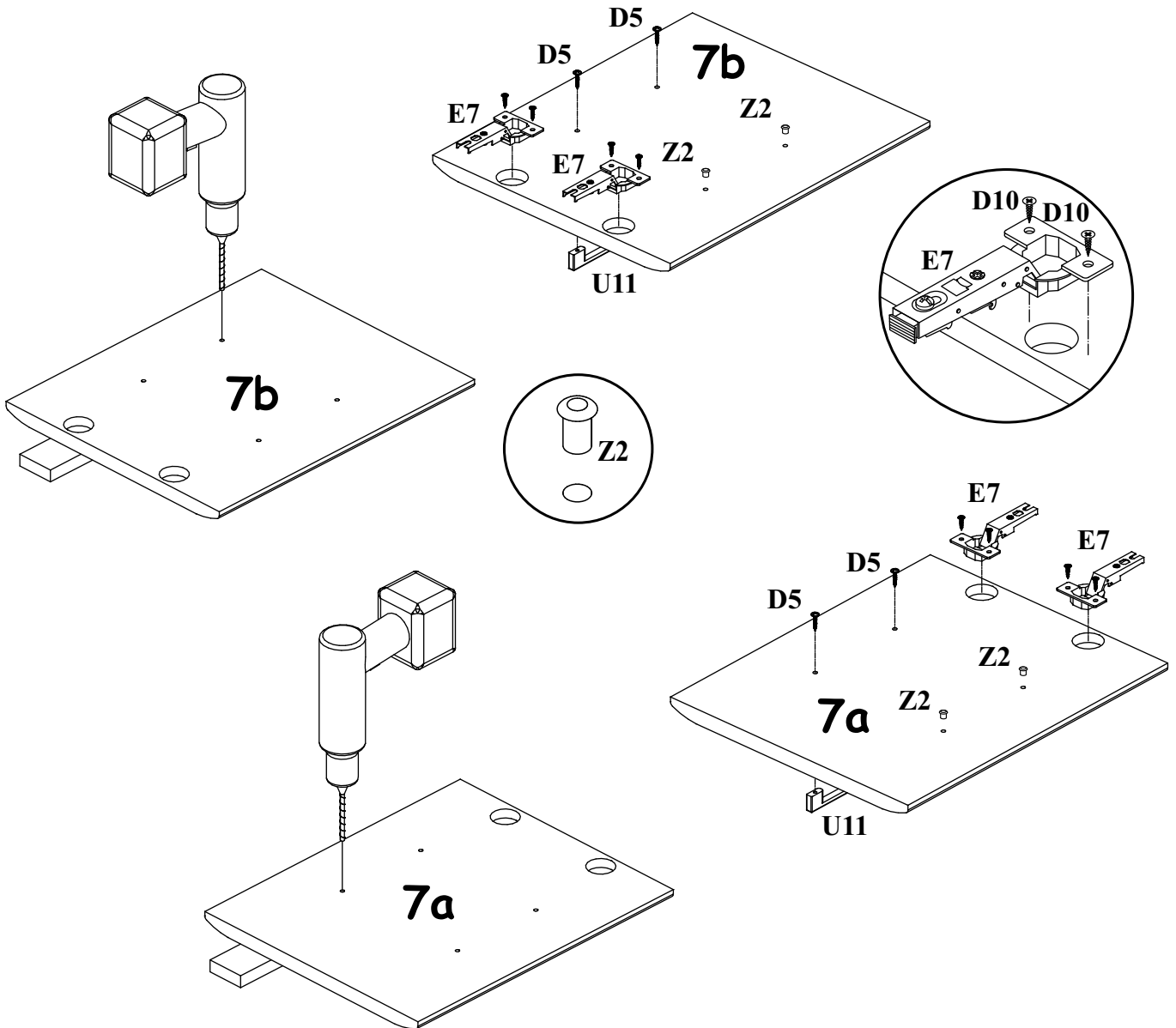
1



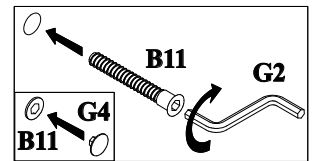
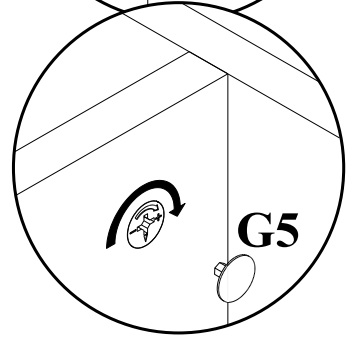
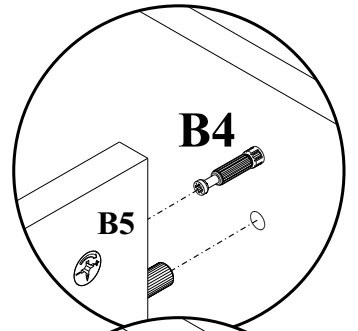
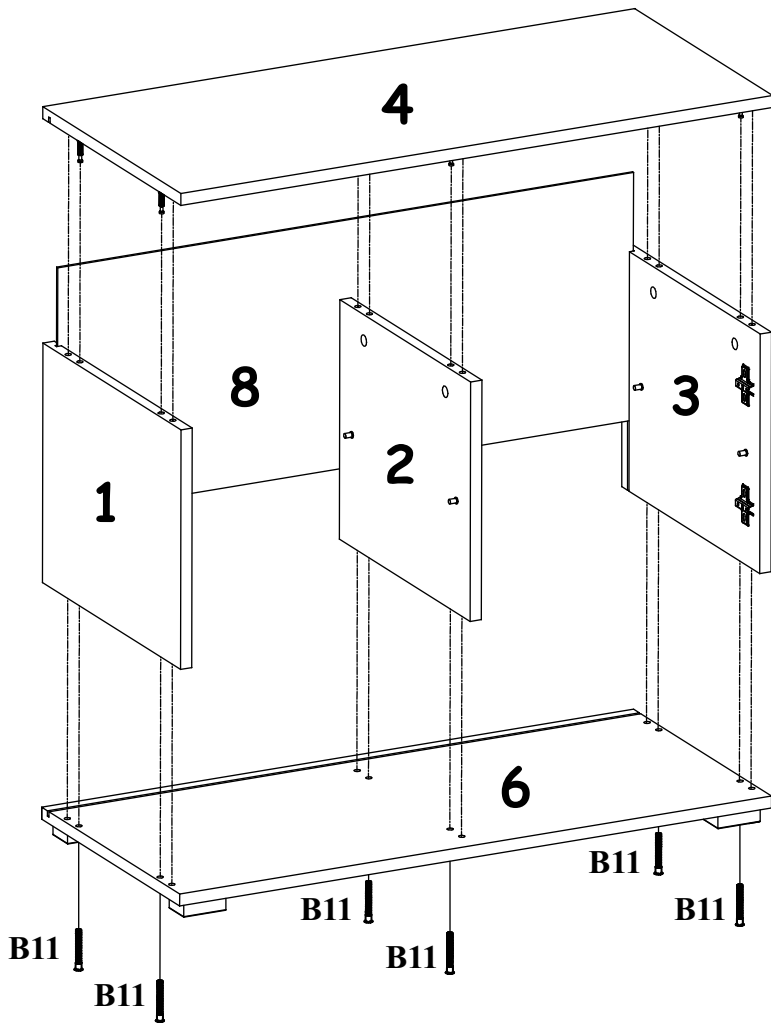
2



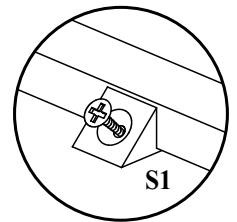
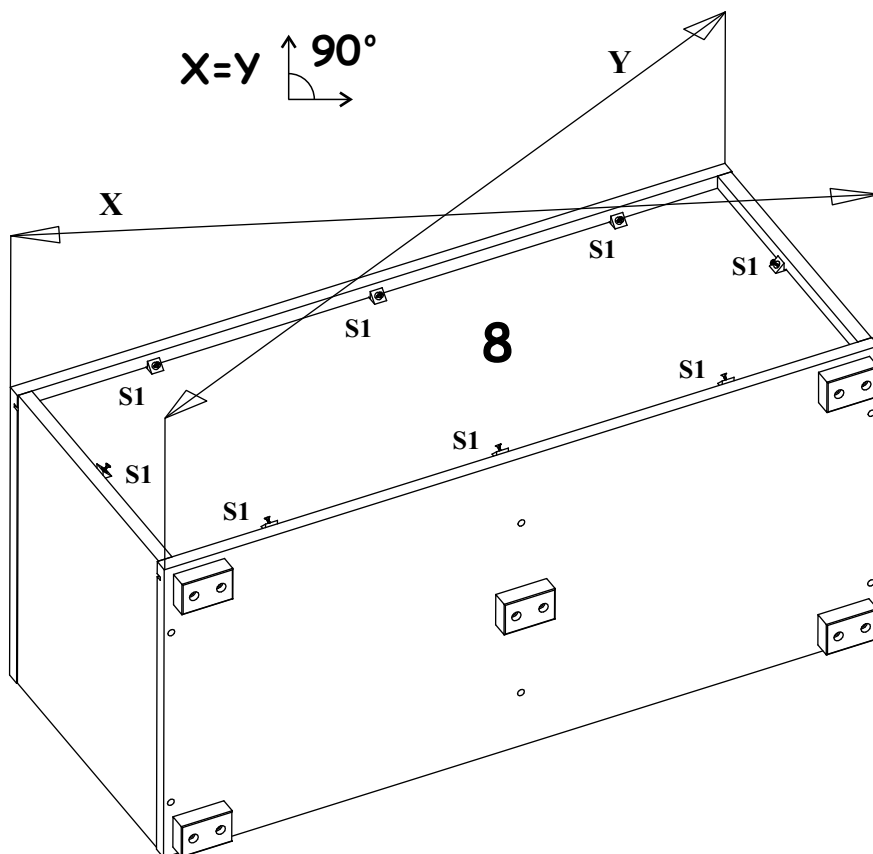
3



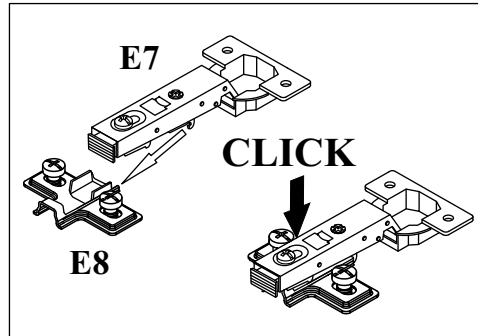
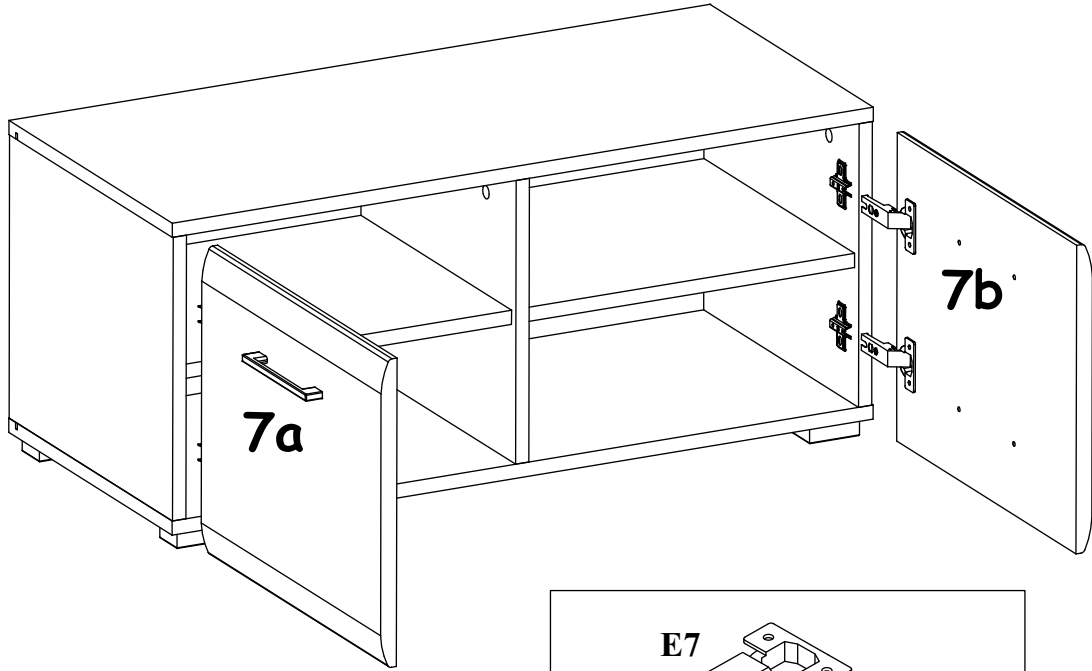
4



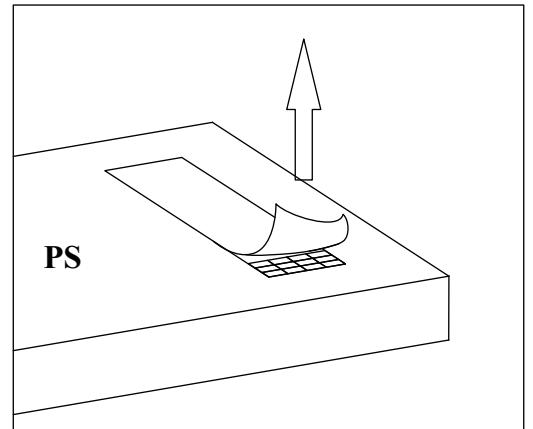
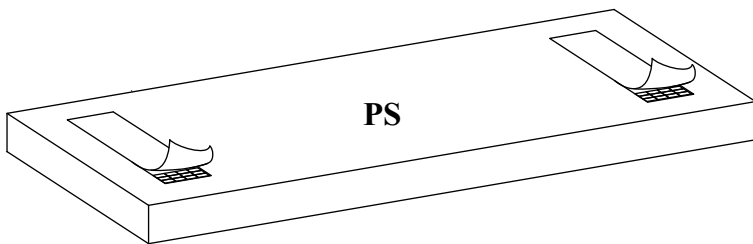
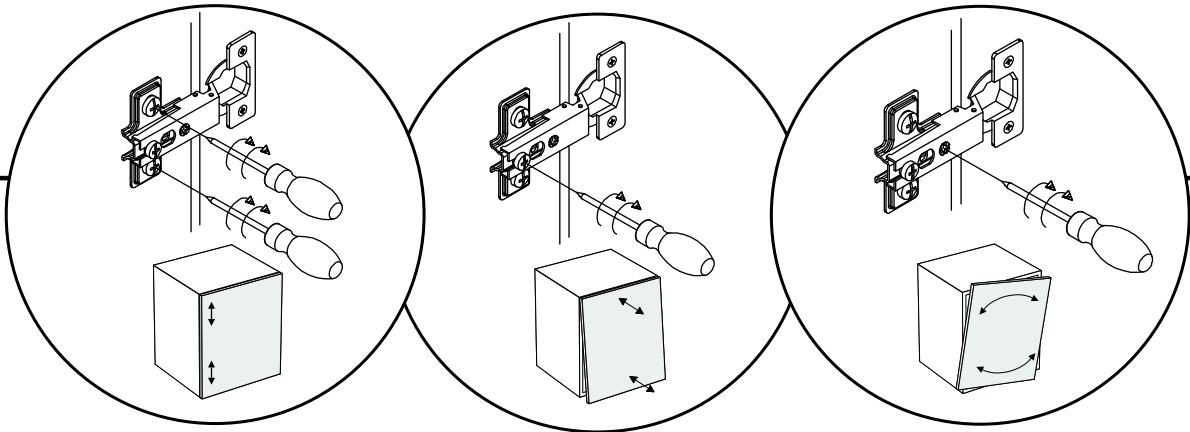
5



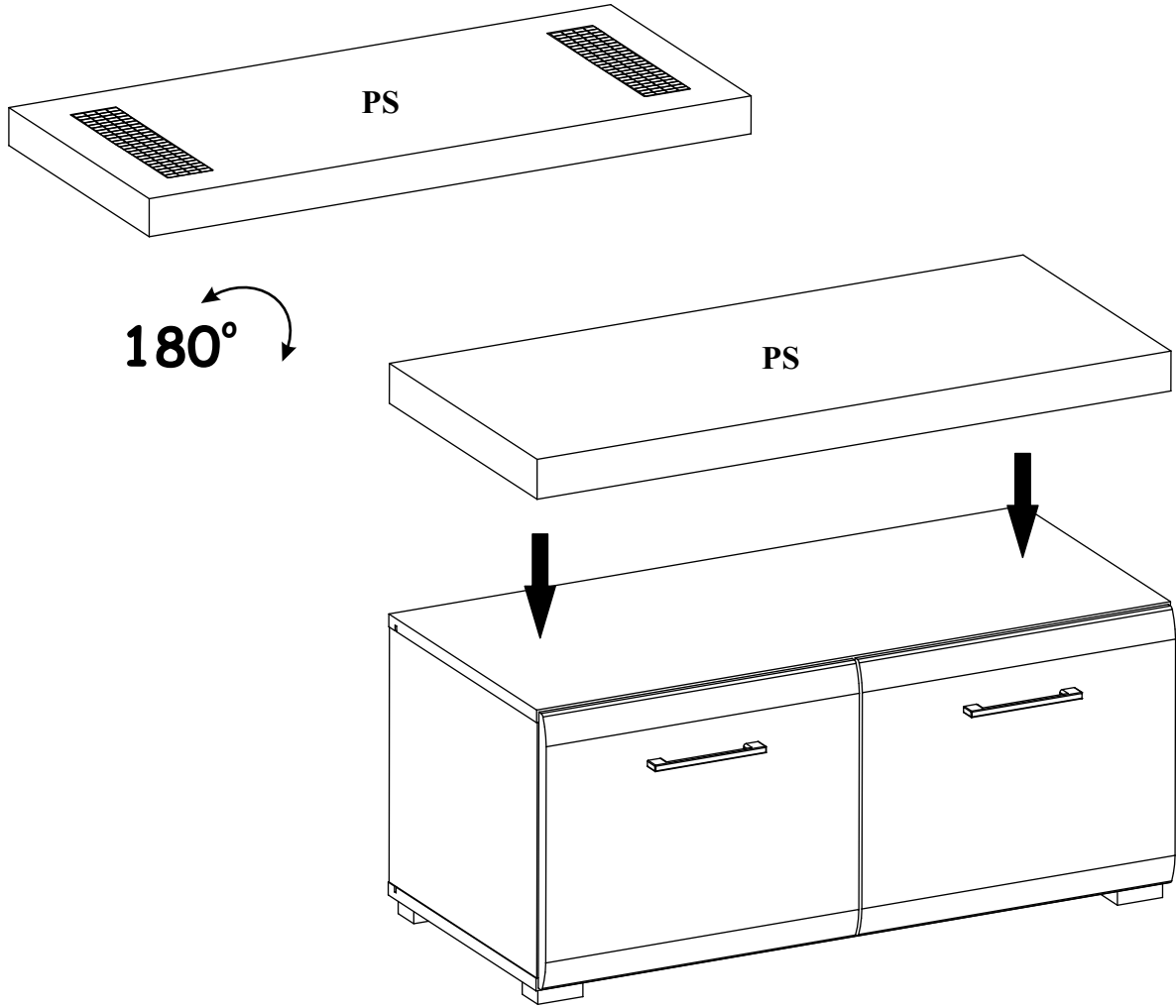
6



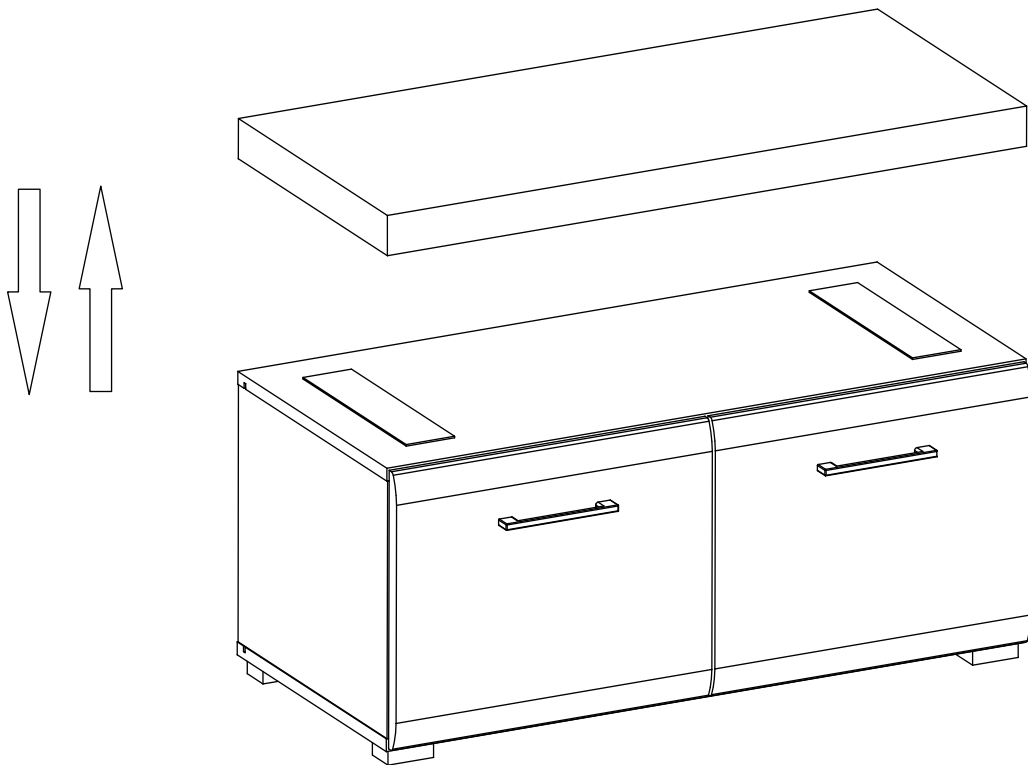
7



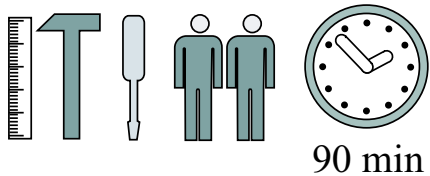
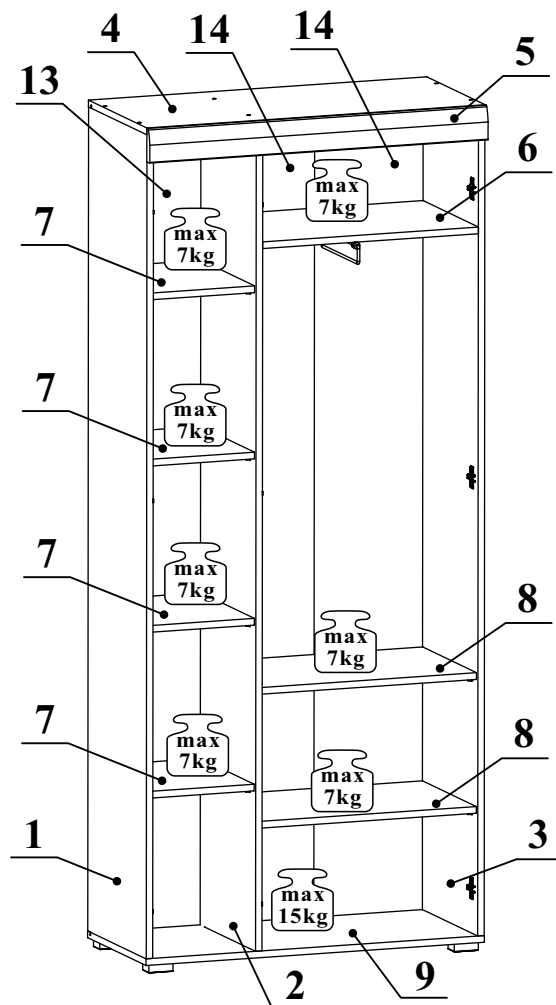
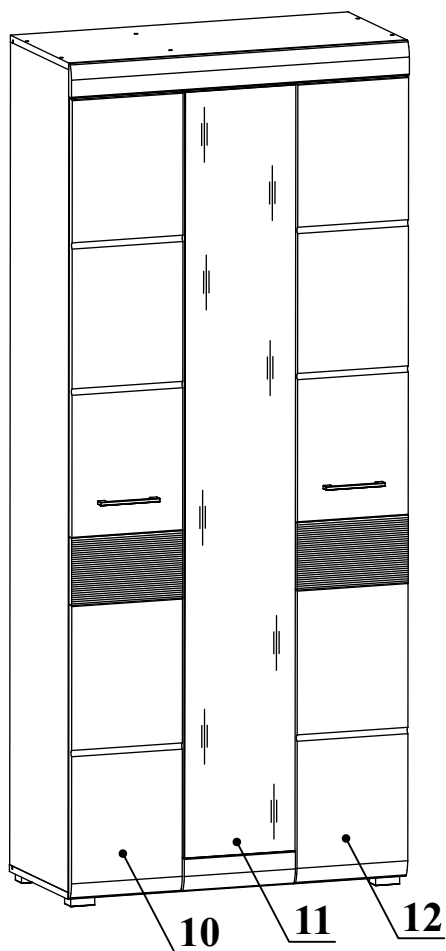
8



9

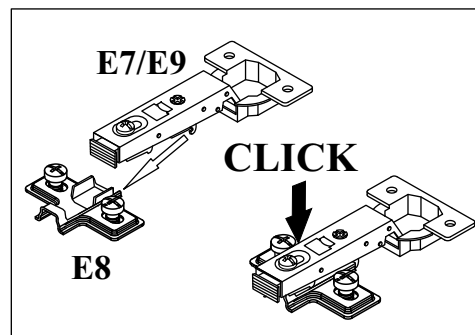
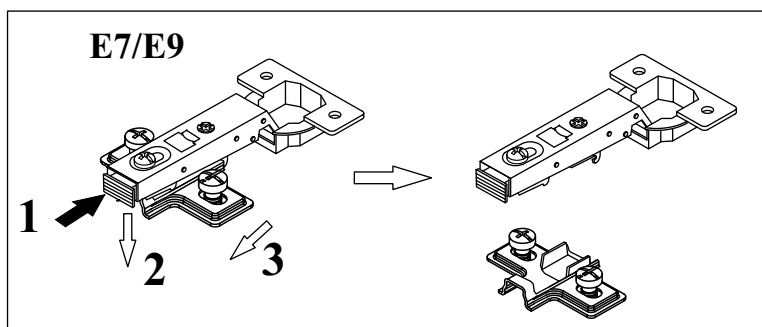


FUNNY TYP 01 3K16_01

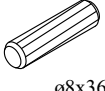
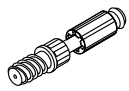




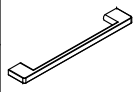
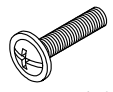
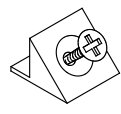

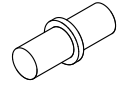
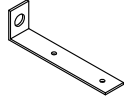
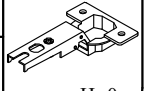
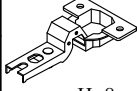
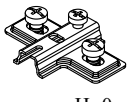
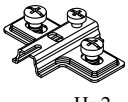
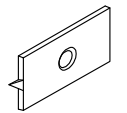
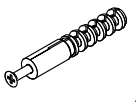
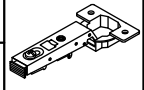
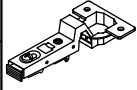
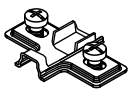
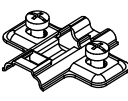
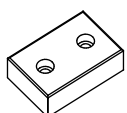

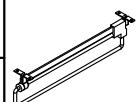

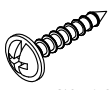
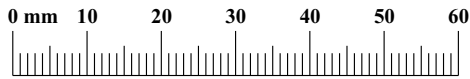


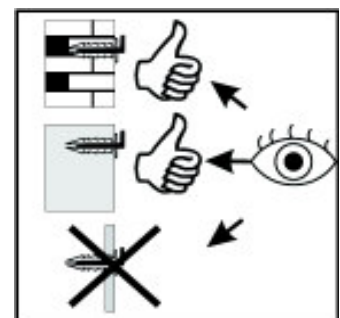
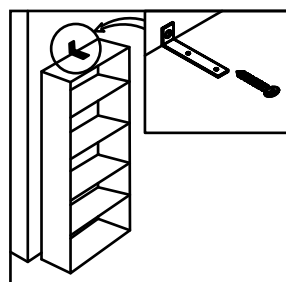
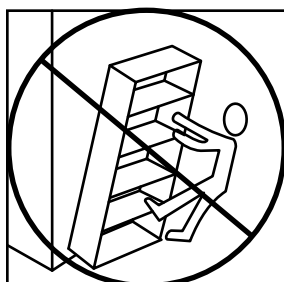
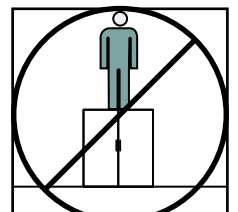
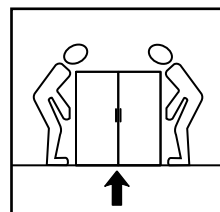
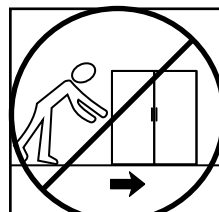
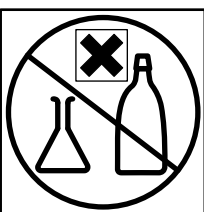
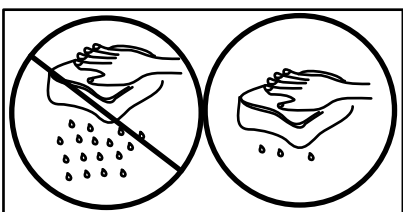
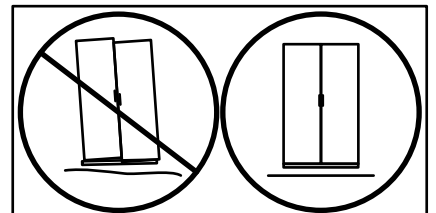
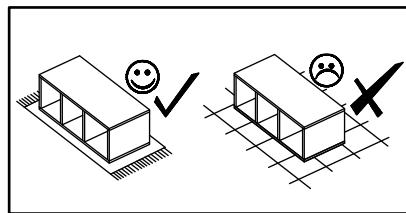
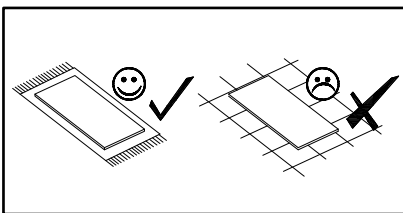
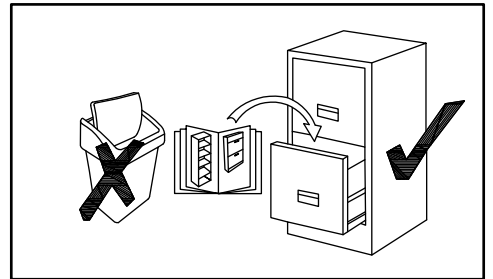
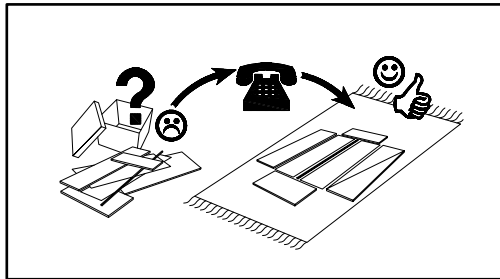
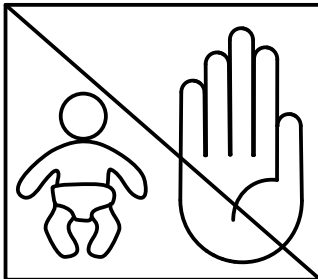
90 min

NO	Dim.		Col.-No	Qty
1	1948	380	1	1
3	1948	380	1	1
2	1948	360	2	1
9	842	380	1	1
4	842	380	1	1
6	537	360	1	1
8	537	350	1	2
7	256	350	1	4
10	277	1895	2	1
12	277	1895	2	1
11	277	1895	2	1
5	842	80	1	1
13	1960	270	2	1
14	1960	275	2	2

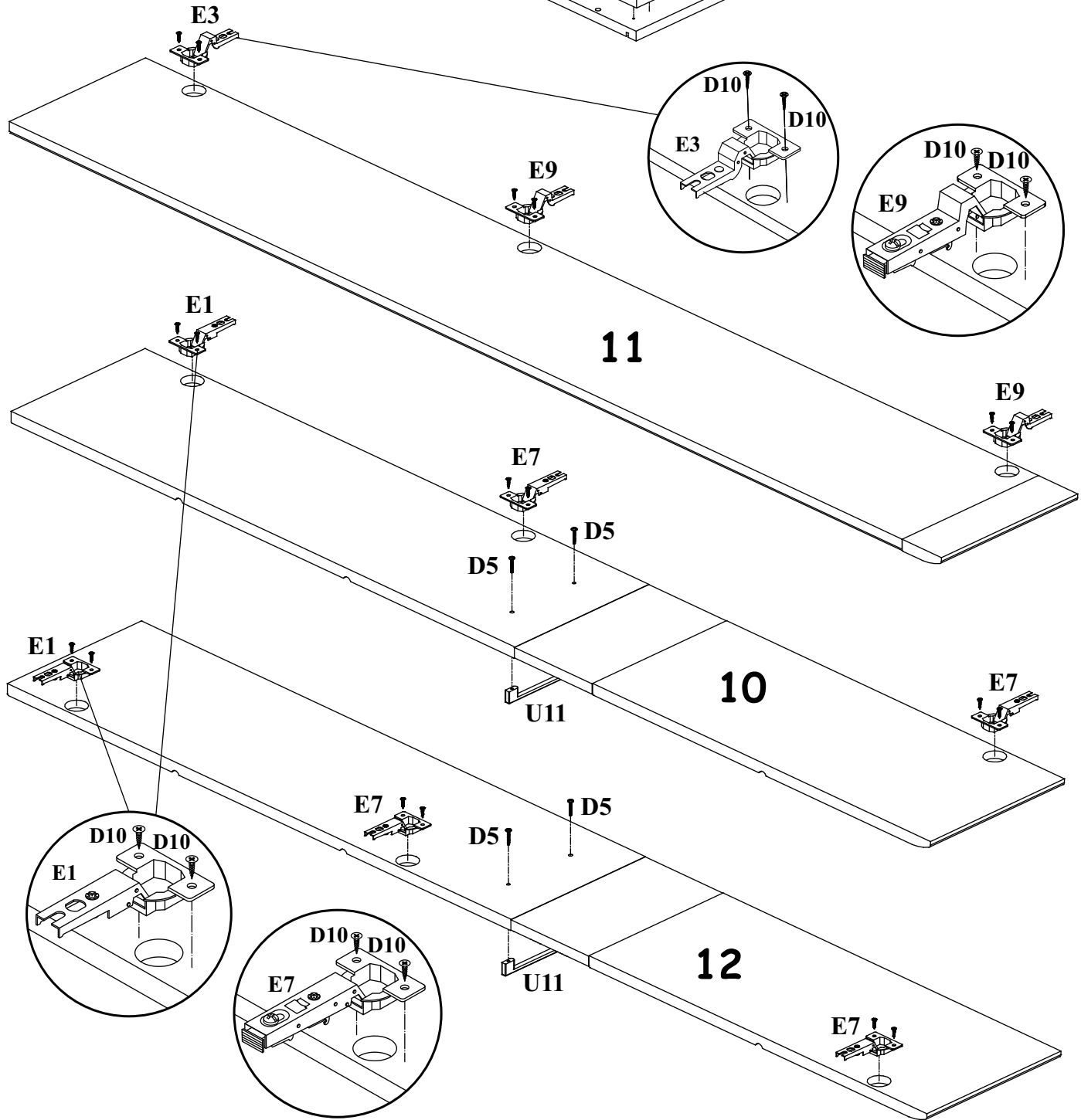
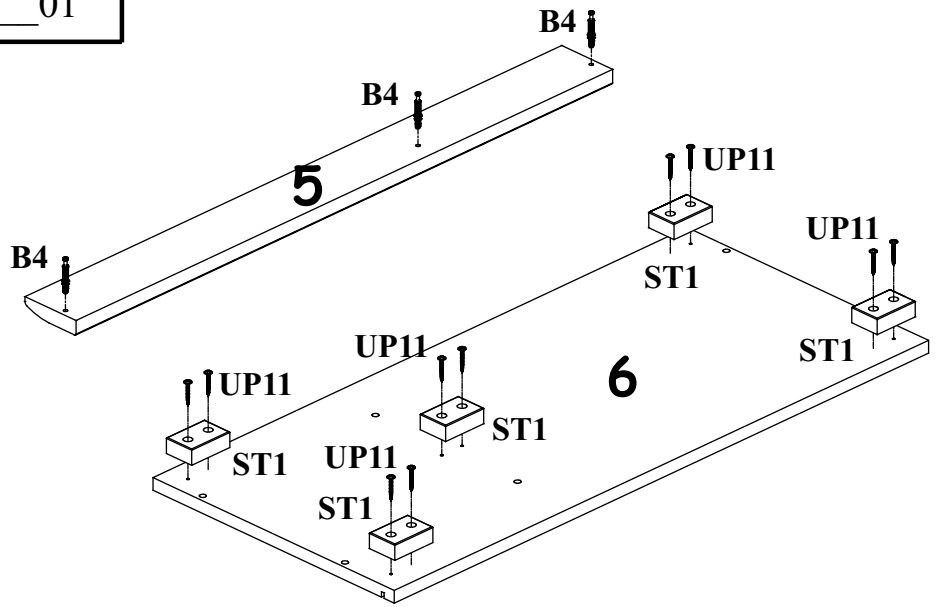
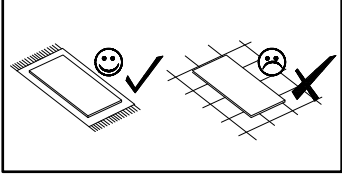
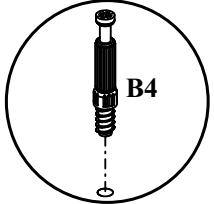


FUNNY TYP 01 3K16__01

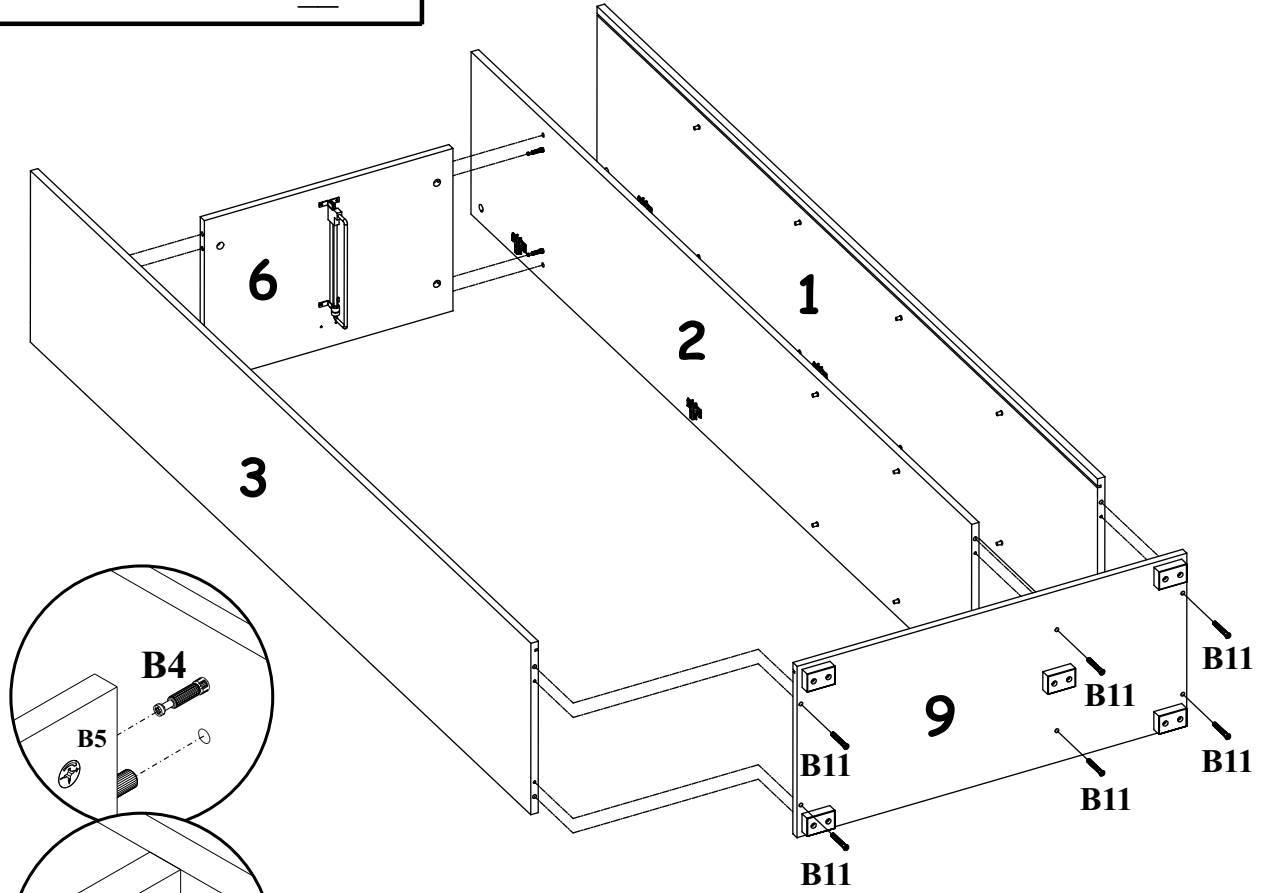
A1 X16  ø8x36	B4 X7 	B5 X7  ø15x12	G5 X7 	B11 X12  Ø7x50	G4 X12 
U11 X2 	D5 X4  M4x25	S1 X18 	D10 X22  USØ3,5x13	G7 X24 	L1 X2 
E1 X2  H=0	E3 X1  H=8	E2 X2  H=0	E4 X1  H=2	G16 X12 	KR1 X2 
E7 X4 	E9 X2 	E8 X4 	E13 X2 	ST1 X5 	UP11 X10  UPØ4x20
C6 X1 	G2 X1 	UP13 X20  UPØ3x16			



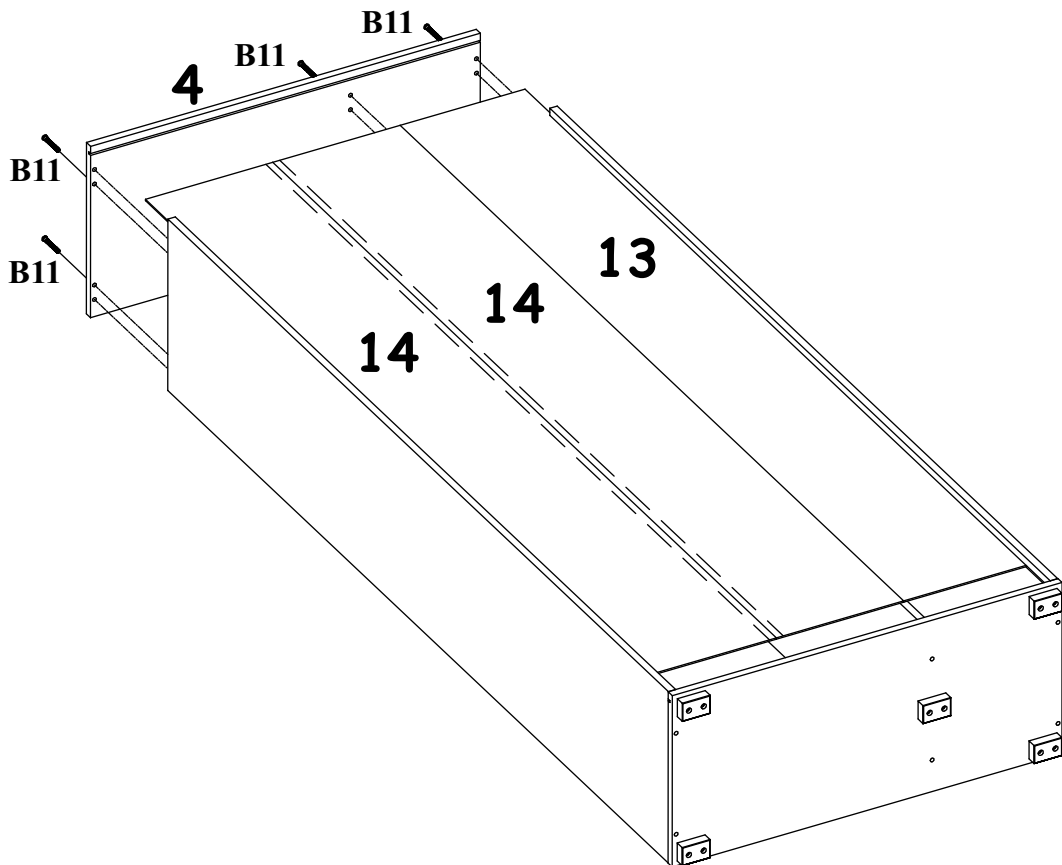
2



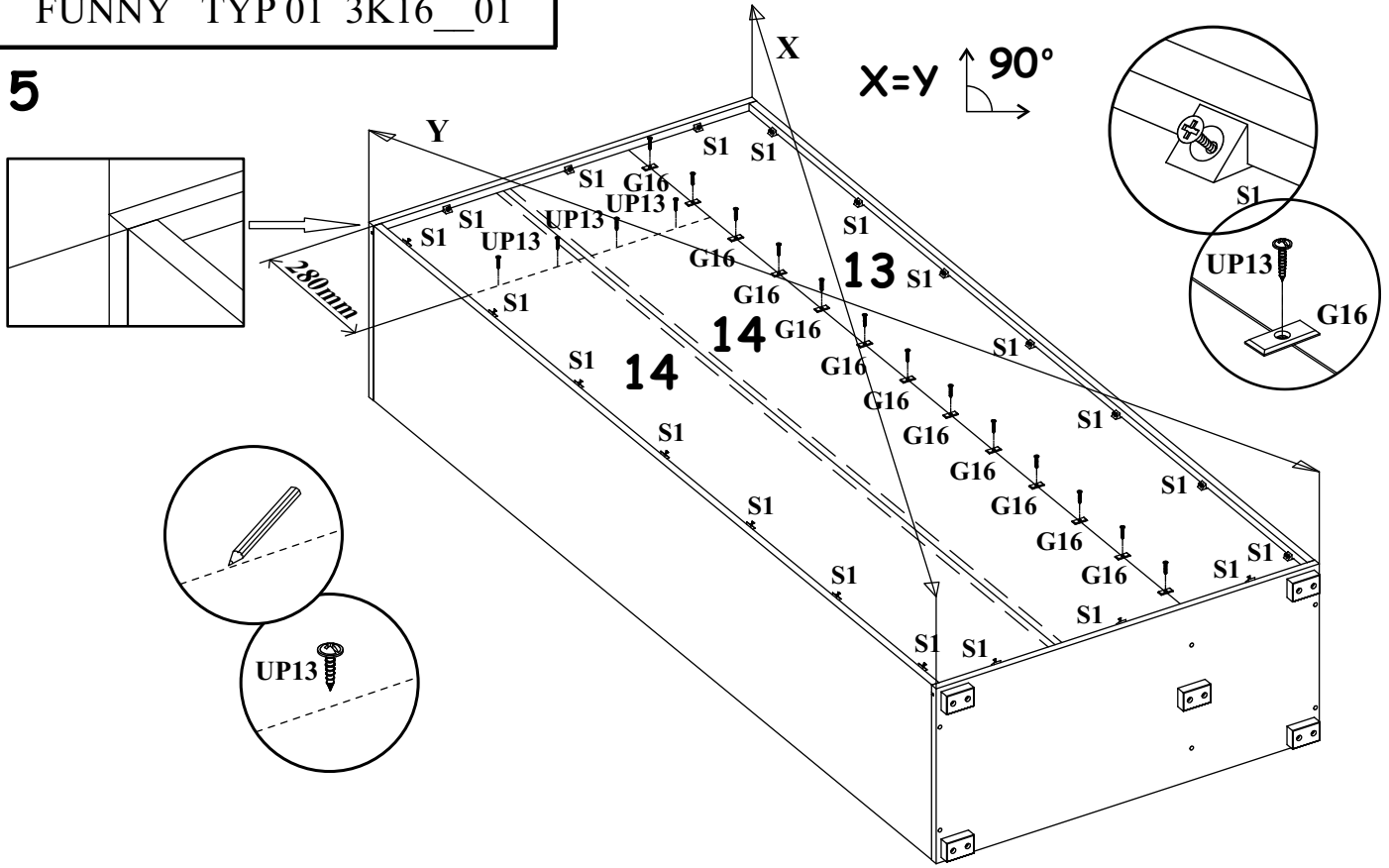
3



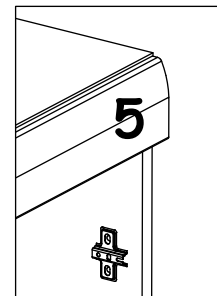
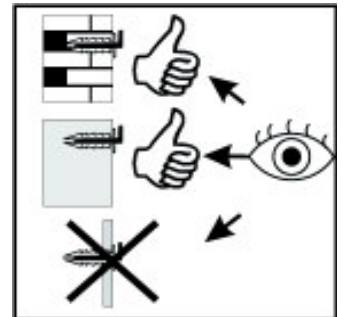
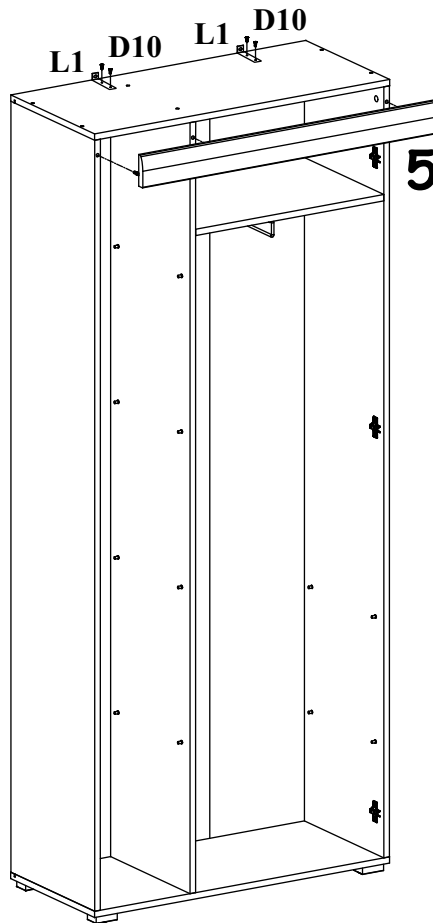
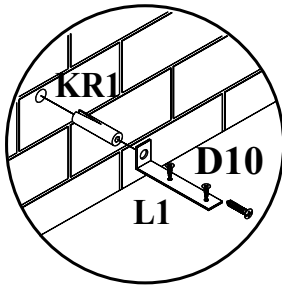
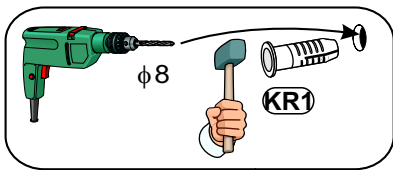
4



5



6



7

