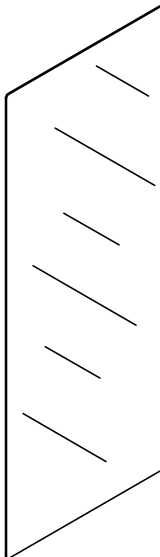


Ax1



Bx1



Cx1



Dx3



Ex4



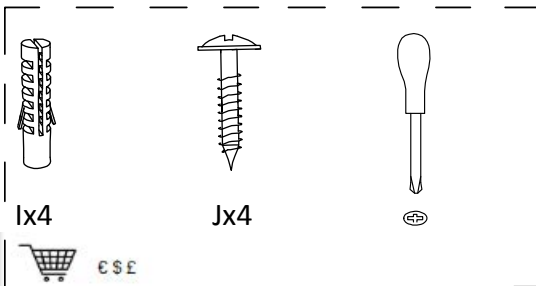
Fx4



Gx8



Hx4



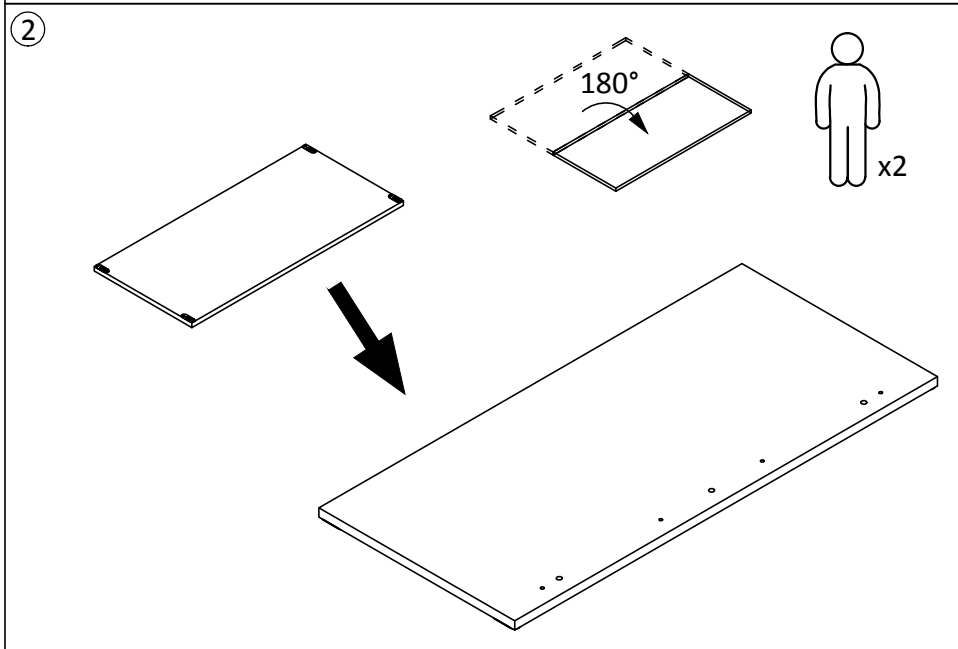
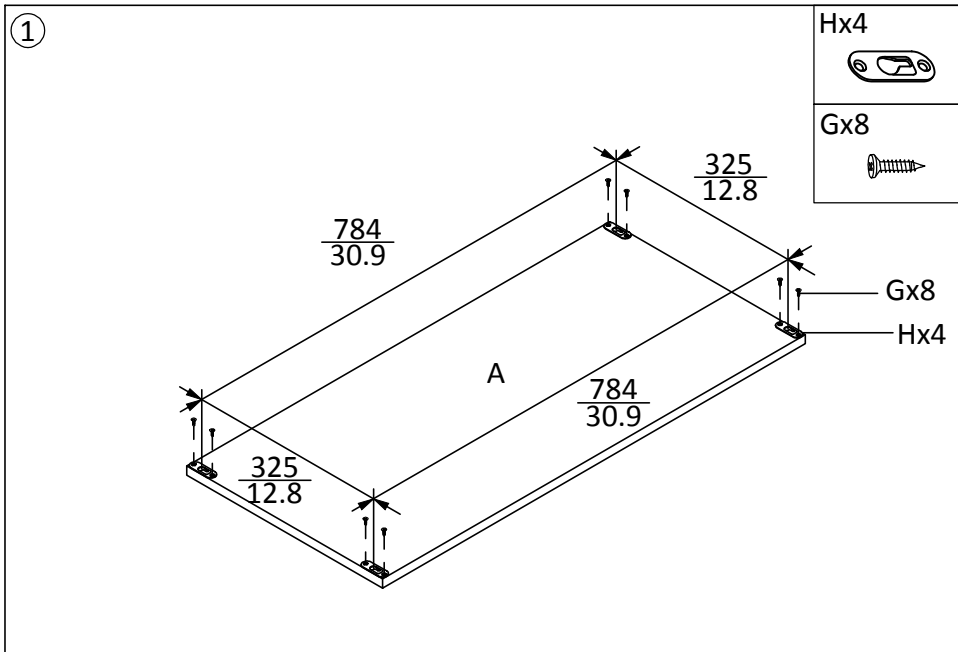
Ix4

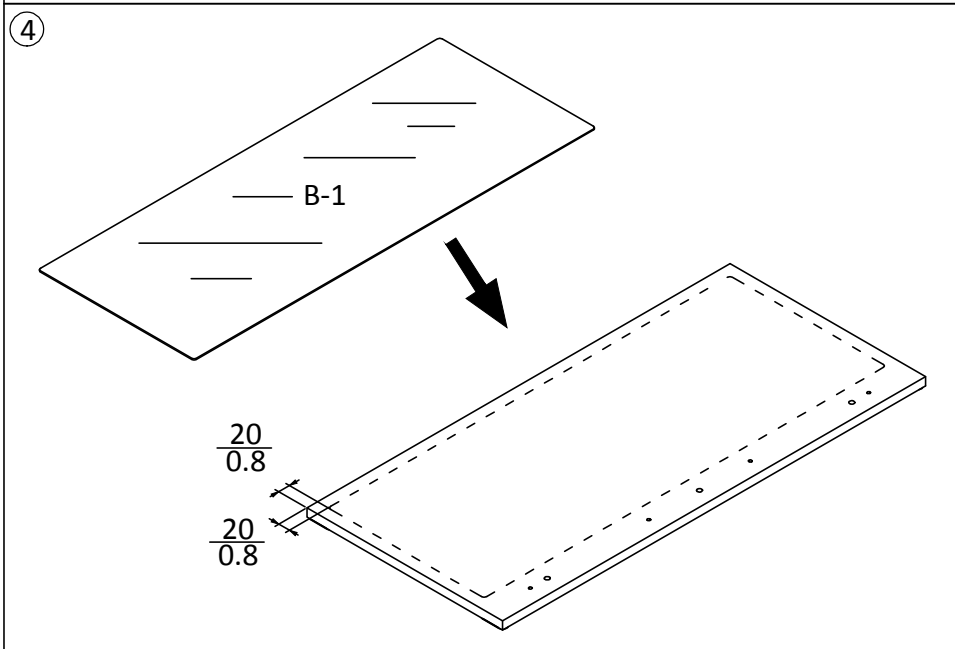
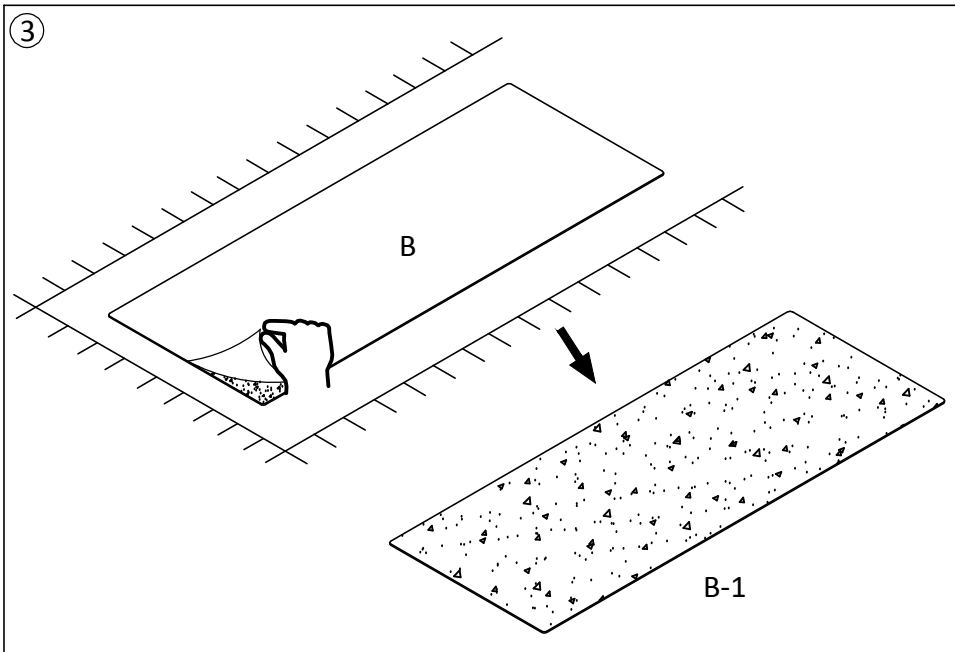
Jx4



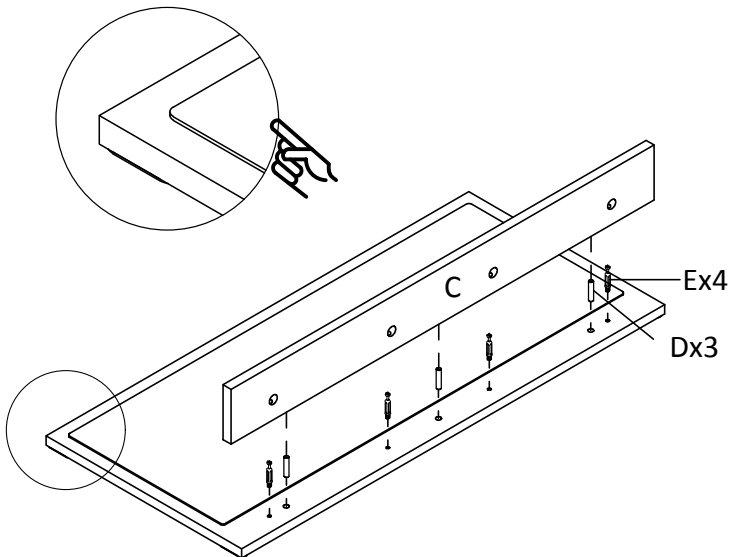
mm
inch

x2





5



Ex4

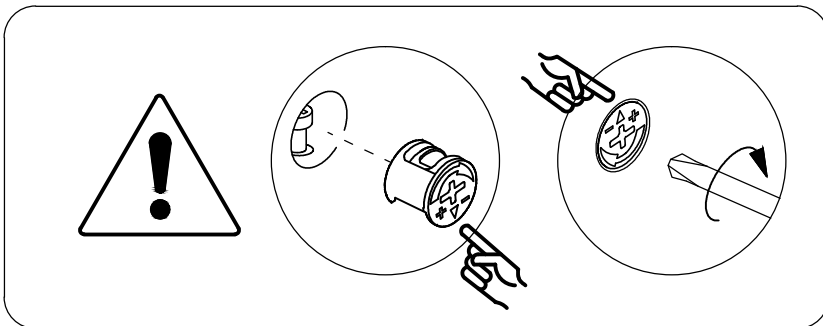


Dx3



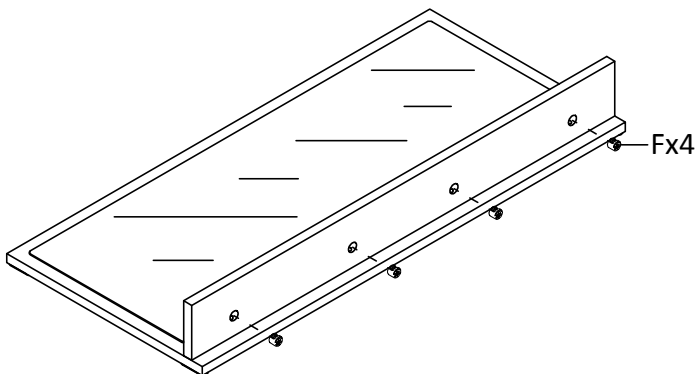
Ex4

Dx3

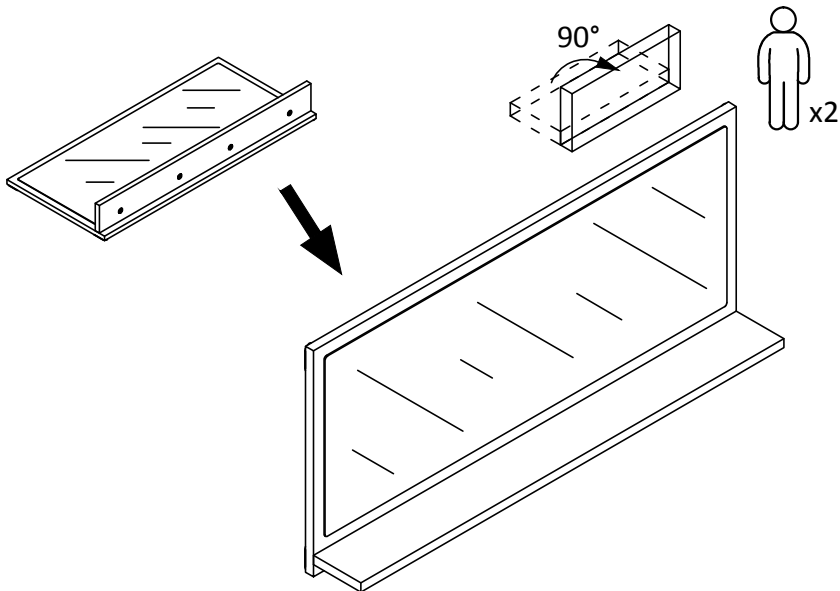


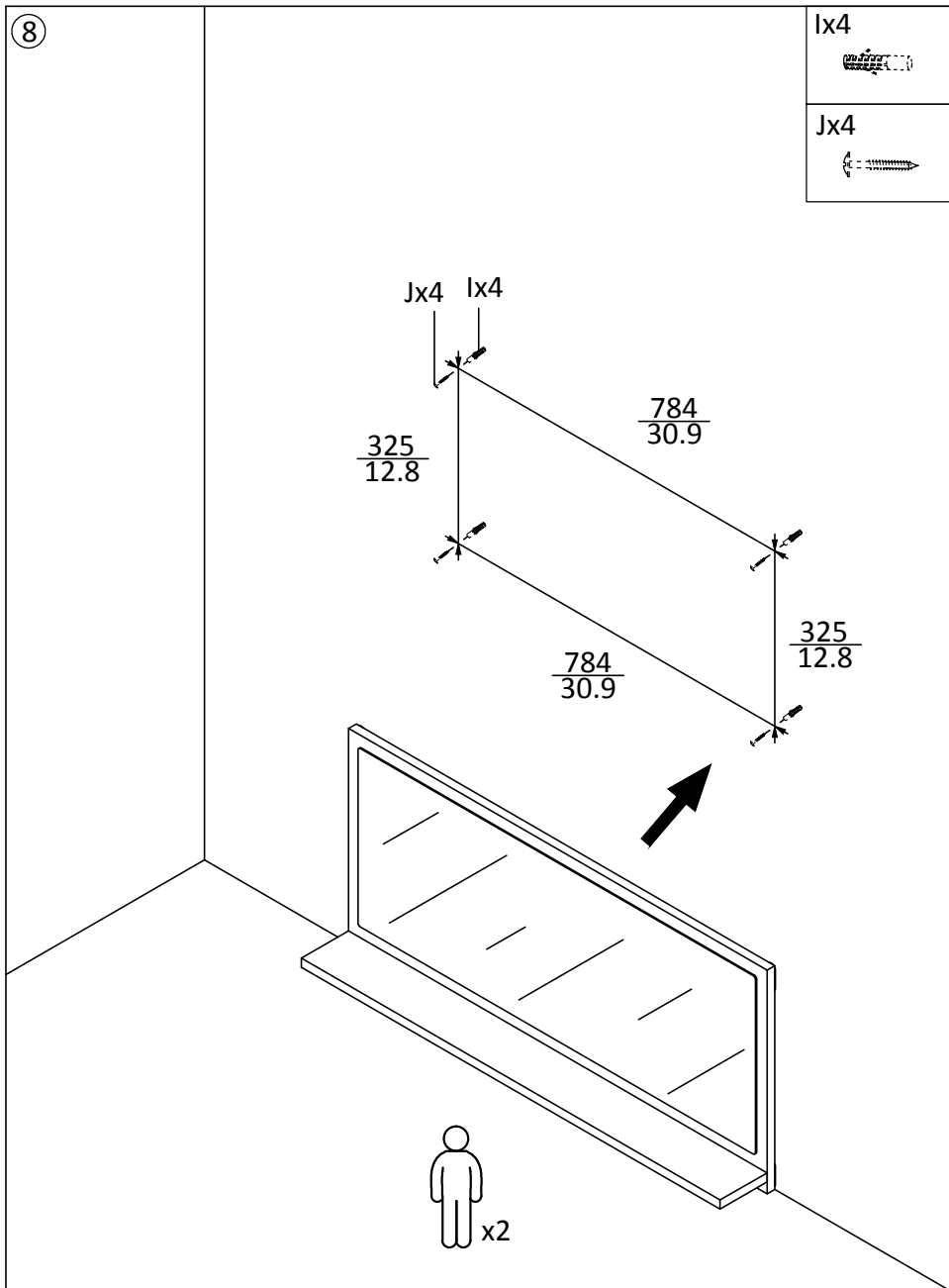
6

Fx4



7





9

