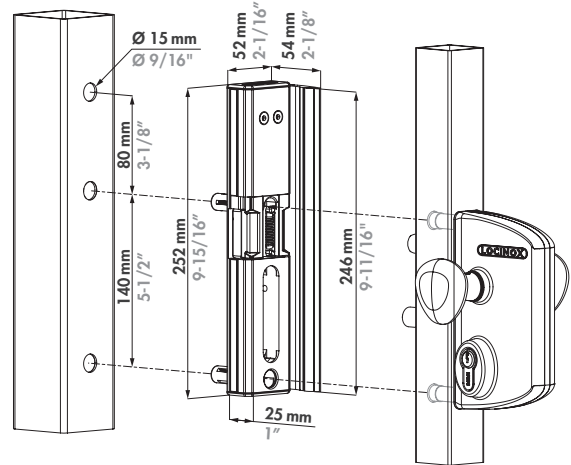
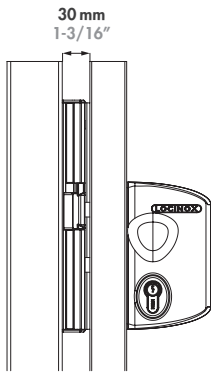
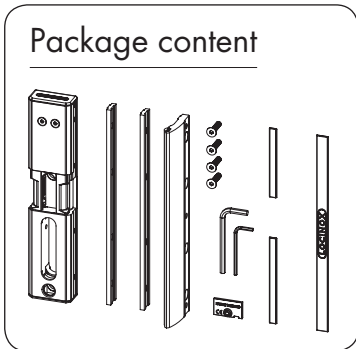


LOCINOX[®]

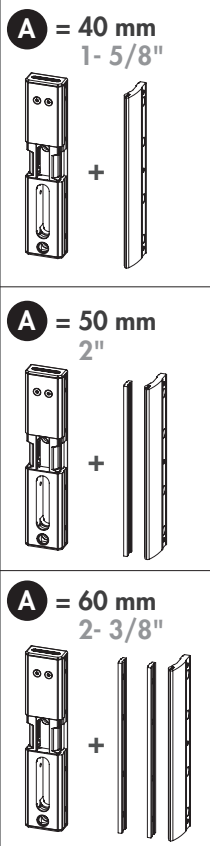
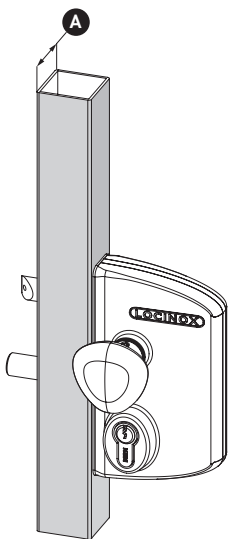
Let's make better fences together

MODULEC-SA

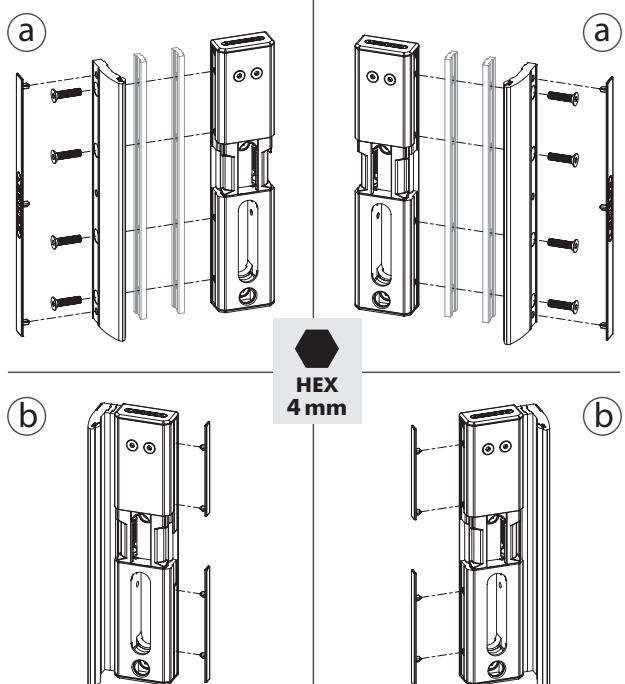
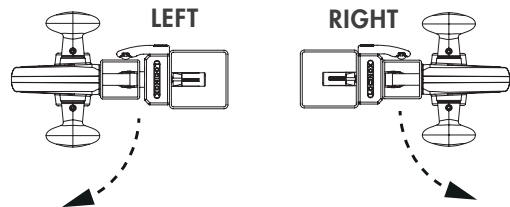
① Exploded view & dimensions



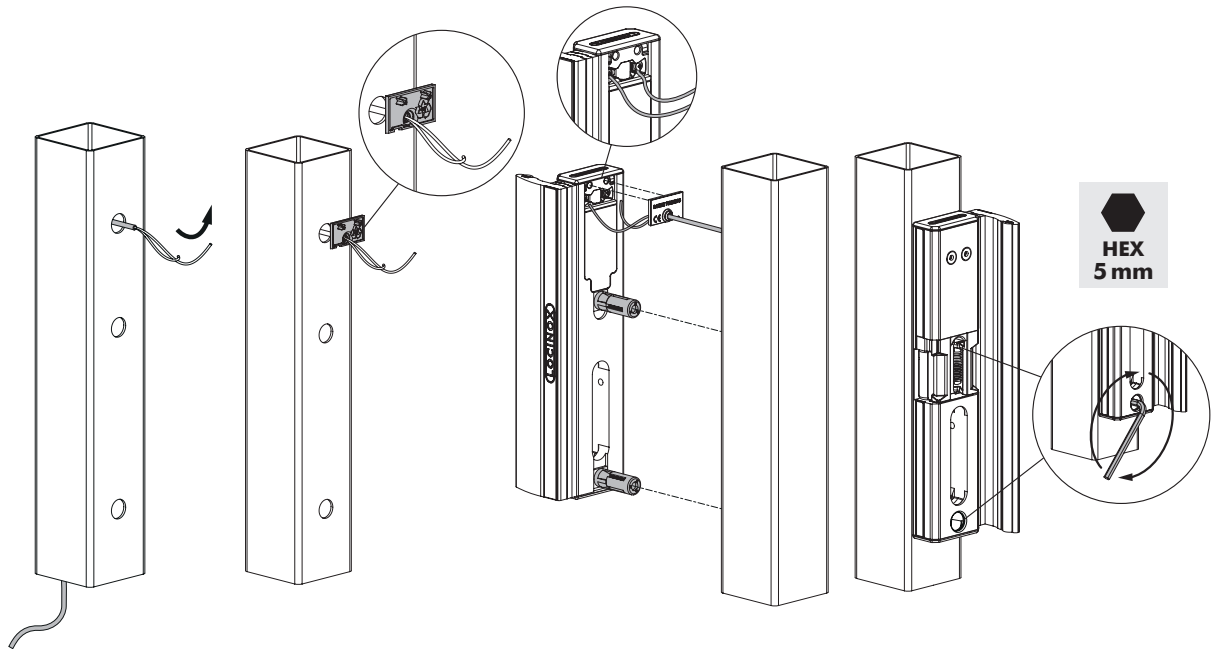
② Gate profile dimensions



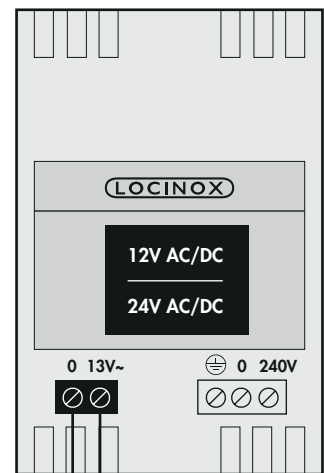
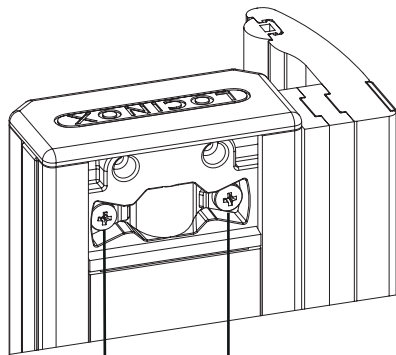
③ Left or right mounting



④ Mounting



⑥ Connecting



U: 12 V AC/DC
24 V AC/DC
P: 15 W

LOCINOX[®]
WWW.LOCINOX.COM

Doc. Nr.: MANU-000239

Locinox nv • Mannebeekstraat 21 • B-8790 Waregem • Belgium
Tel. +32 (0)56 77 27 66 • Fax. +32 (0)56 77 69 26 • E-mail: locinox@locinox.com



* M A N U - 0 0 0 2 3 9 *