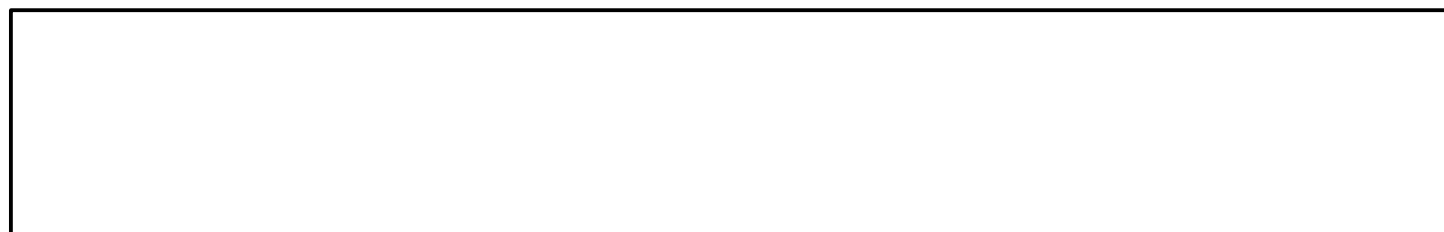
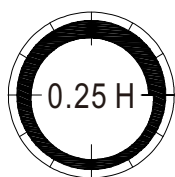
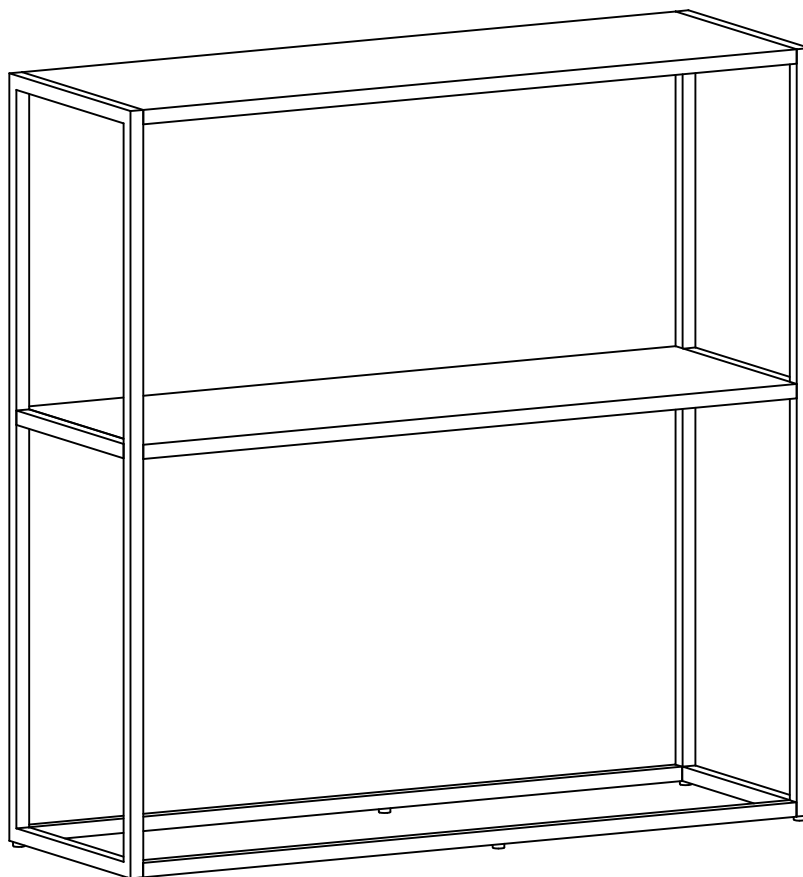
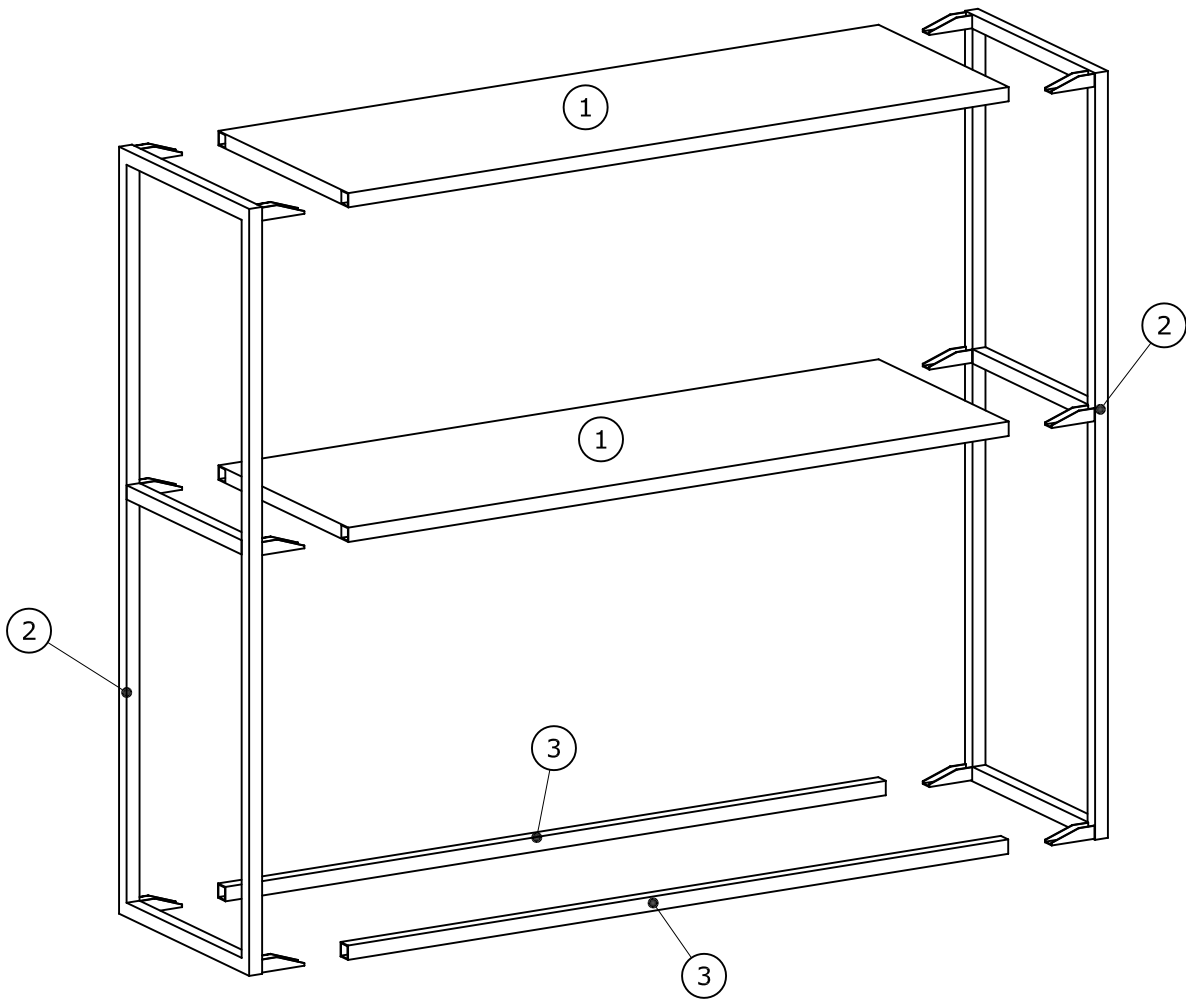


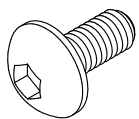
# NEWTON-SHELF UNIT



|   |   |                |   |
|---|---|----------------|---|
|   |   |                | ✓ |
| ① | 2 | 765 x 260 x 15 |   |
| ② | 2 | 800 x 260 x 60 |   |
| ③ | 2 | 765 x 15 x 15  |   |

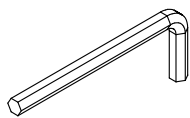


A x 12



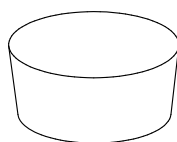
M6x12 mm

B x 1



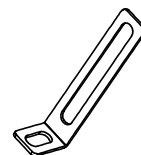
4 mm

C x 6



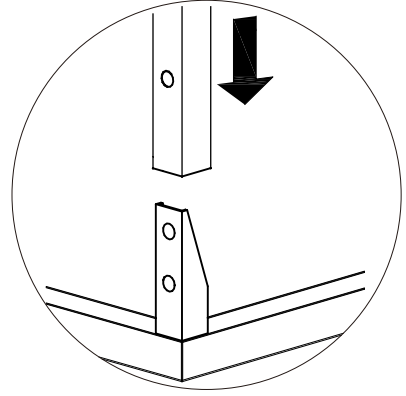
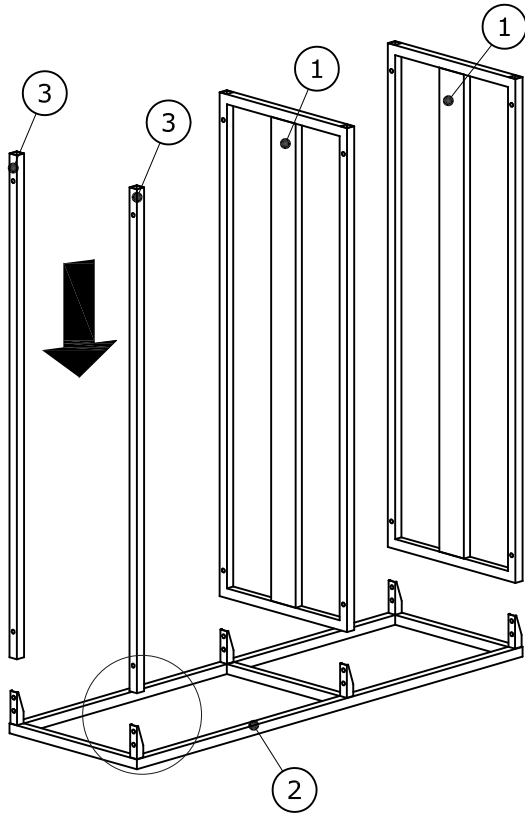
Ø12x5 mm

D x 2

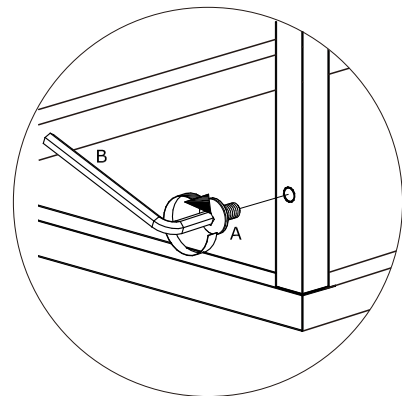
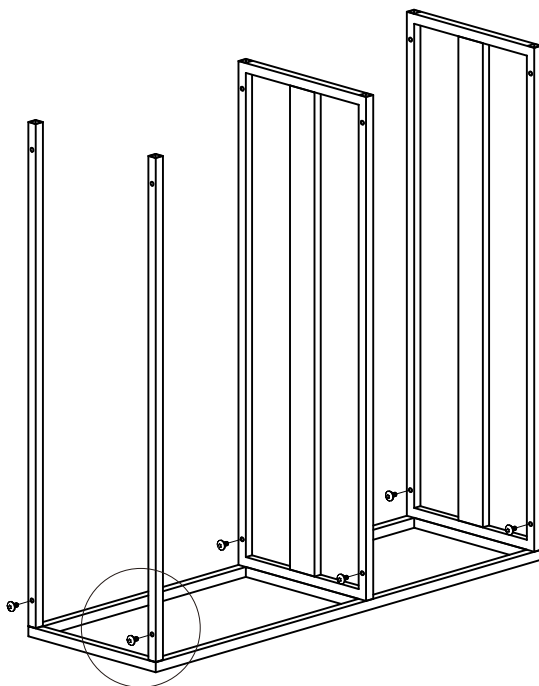
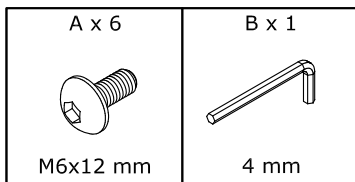


75x25x15mm

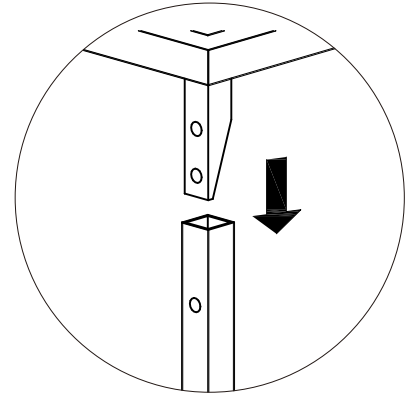
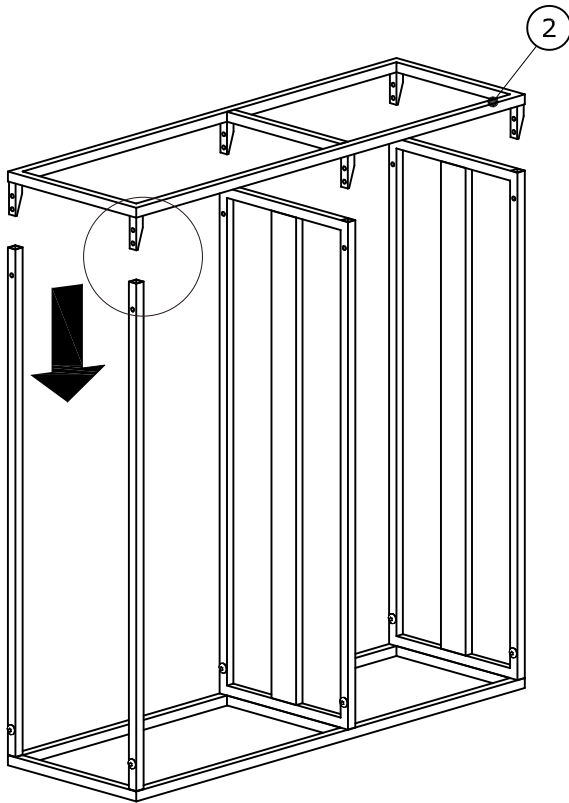
# 1



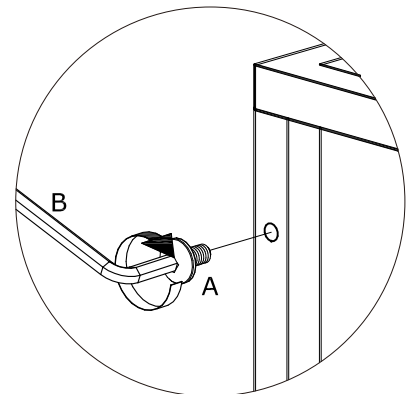
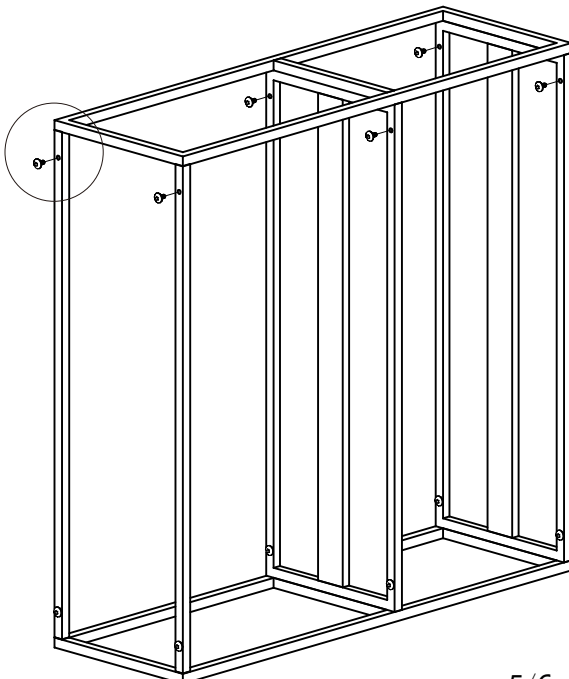
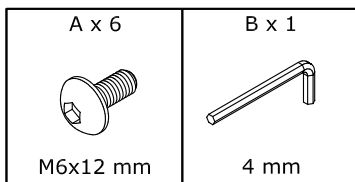
# 2



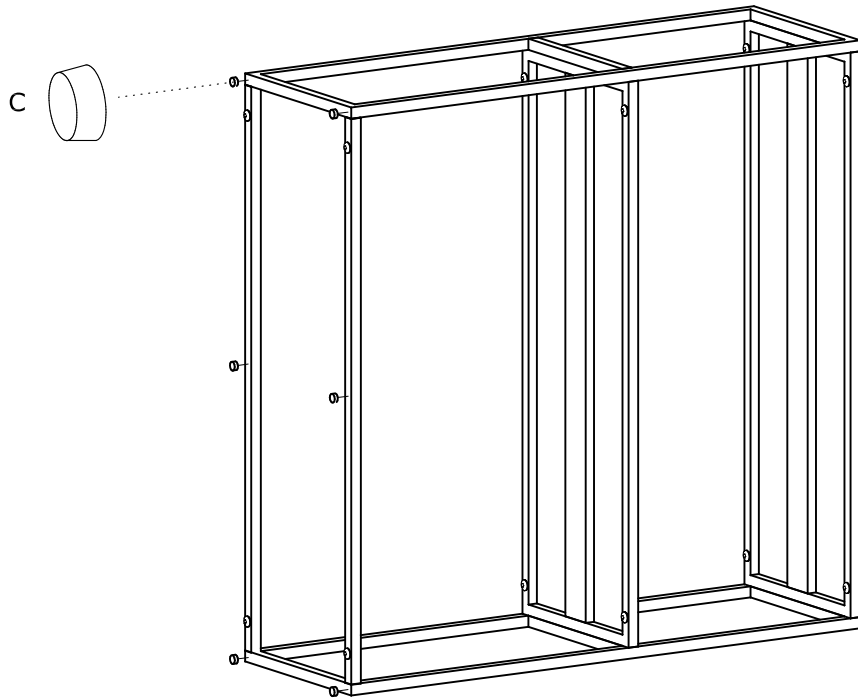
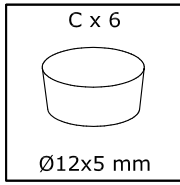
# 3



# 4



# 5



# 6

