

ASSEMBLY INSTRUCTIONS

DESCRIPTION:- STACY SIDEBORD

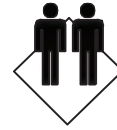
Article NO. - 64002

0.25 HOURS

APPROXIMATE ASSEMBLY TIME

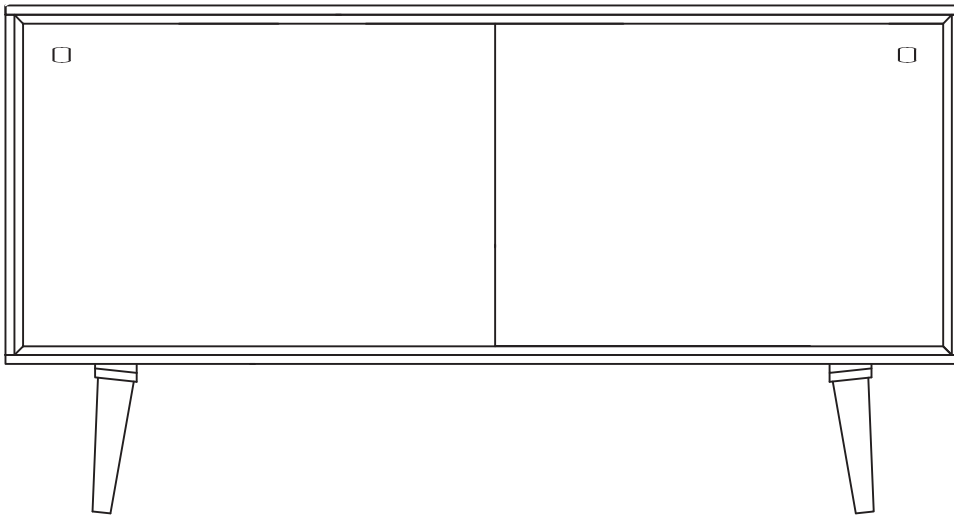


2 PERSON ASSEMBLY



CEILING HEIGHT
3 M

REQUIRED ASSEMBLY SPACE



HARDWARE



6 Pieces

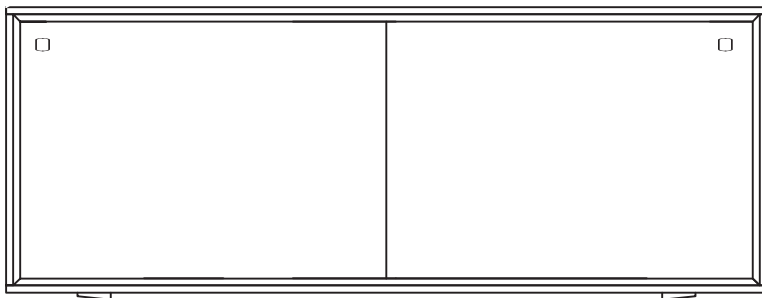


6 Pieces

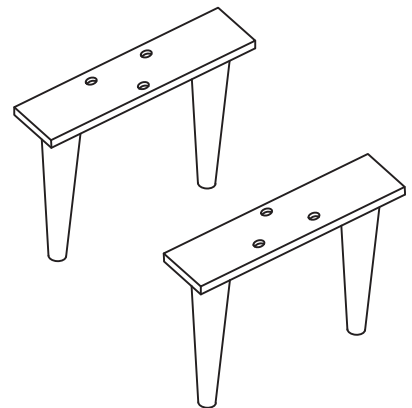
REQUIRED ASSEMBLY TOOLS



1 Pieces



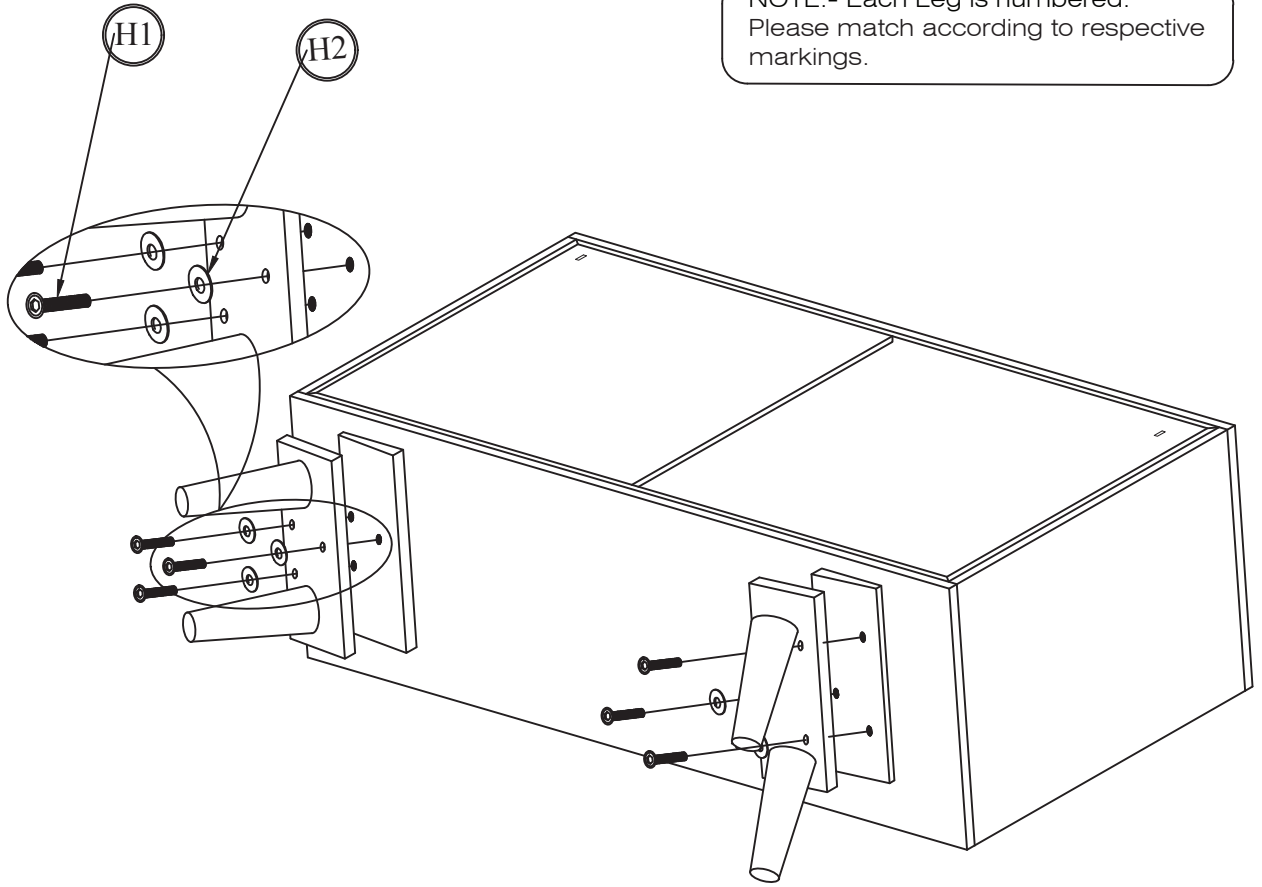
Carcase :- 1 Pieces



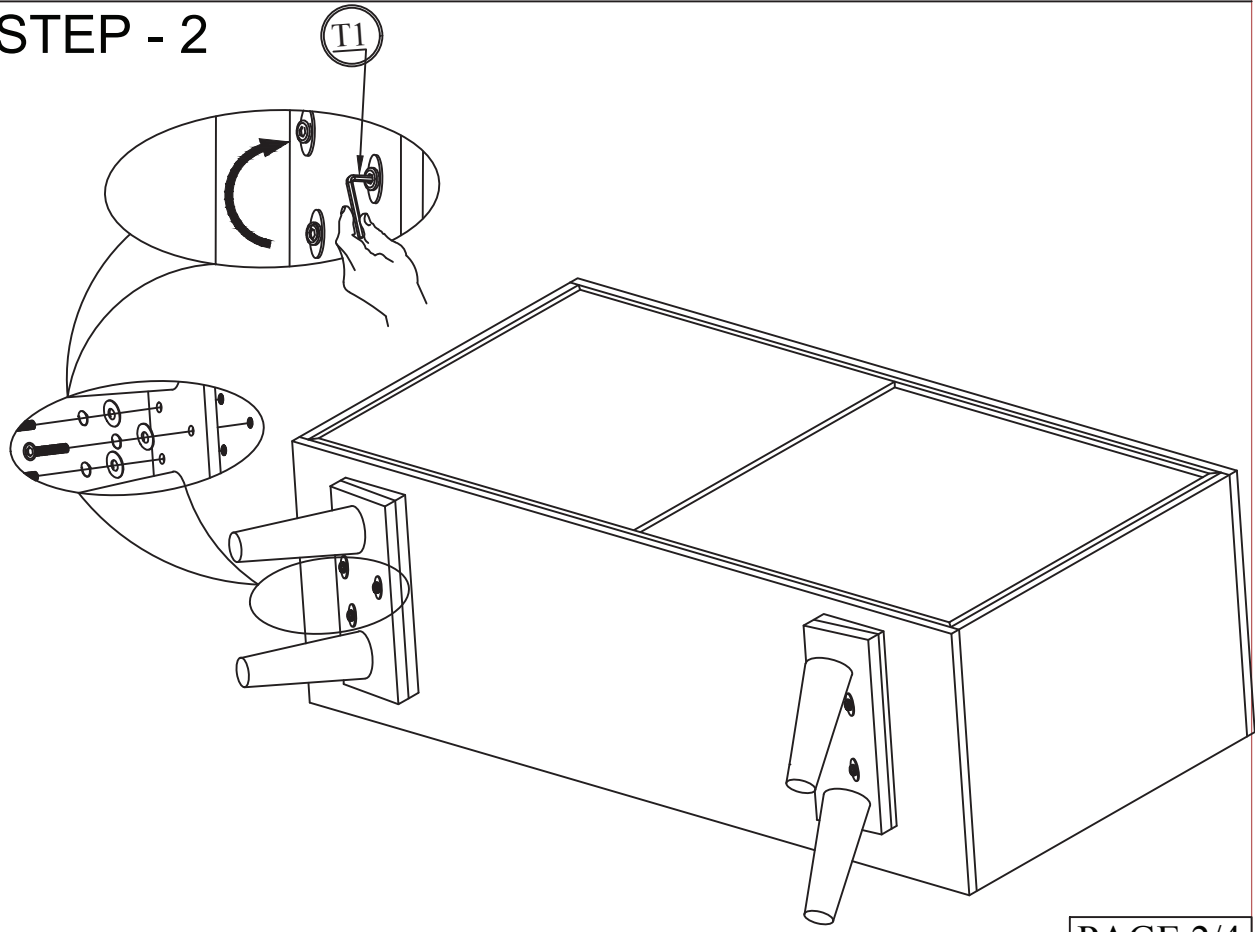
LEGS :- 2 Pieces

STEP - 1

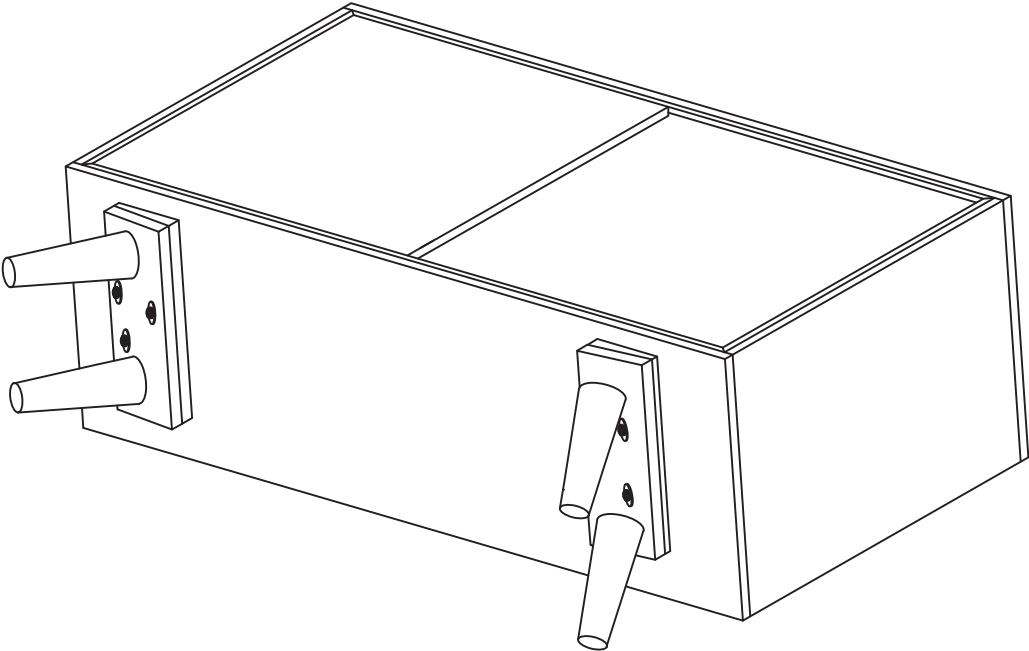
NOTE:- Each Leg is numbered.
Please match according to respective markings.



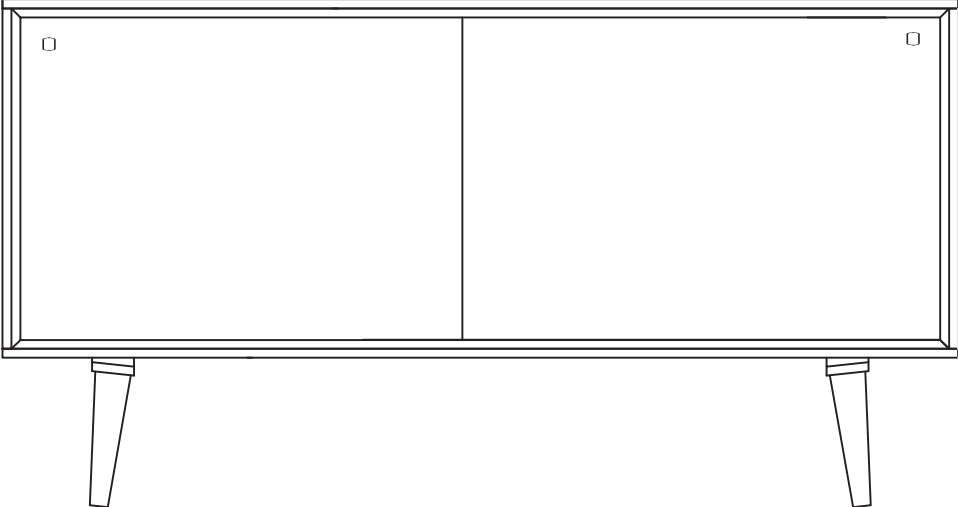
STEP - 2



















STEP - 3



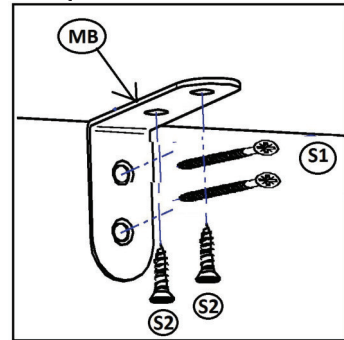
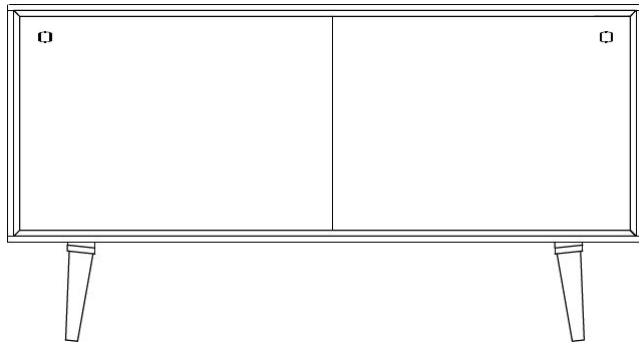
FINAL PRODUCT



Care & Maintenance

-   ● Do not put hot items directly on furniture surface.
-   ● Do not clean furniture with harsh cleansers or polish.
-   ● Do not place furniture in direct sunlight.
-   ● Do not place furniture near heating or cooling vents.
-   ● Do not write on furniture without a padded barrier to protect the surface.
-   ● Do not place furniture outside. For indoor use only.
-   ● Dust and pick-up spills using a clean, non-colored, lint-free cloth.
-   ● Stains may be removed with mild soap solution and damp cloth.

TIP METAL BRACKET FITTING INSTRUCTIONS



STEP 1: Using short screws, attach one of the brackets on each end of the furniture's back, on the top surface, or inside .

STEP 2: Move furniture into its final position to measure and mark locations of the bracket. Move the furniture out of the way for assembly.

STEP 3: Move the furniture into final position and tighten screws carefully. Please use dowels for dry walls anchor.

NOTE: Wall Fixing are not supplied with this product as different wall materials require different types of fixing device (such as Rawl plugs on brick wall). You must use fixing device suitable for the type of wall you intend to mount this product to. Please ensure that the board of any screw used has a diameter greater than the diameter of the mounting hole on the product and that the fixing is safe and secure before use.

The Metal Bracket and screw which is to be used on furniture are provided only.

HARDWARE LIST



2 X
Small Screw



2 X
Large Screw



2 X
Metal
Bracket



2 X
Anchor

⚠ WARNING

Young children can be killed when furniture tips over.
Place TVs on lower furniture, as far back as possible.
Use angle-braces or anchors to secure furniture to wall.