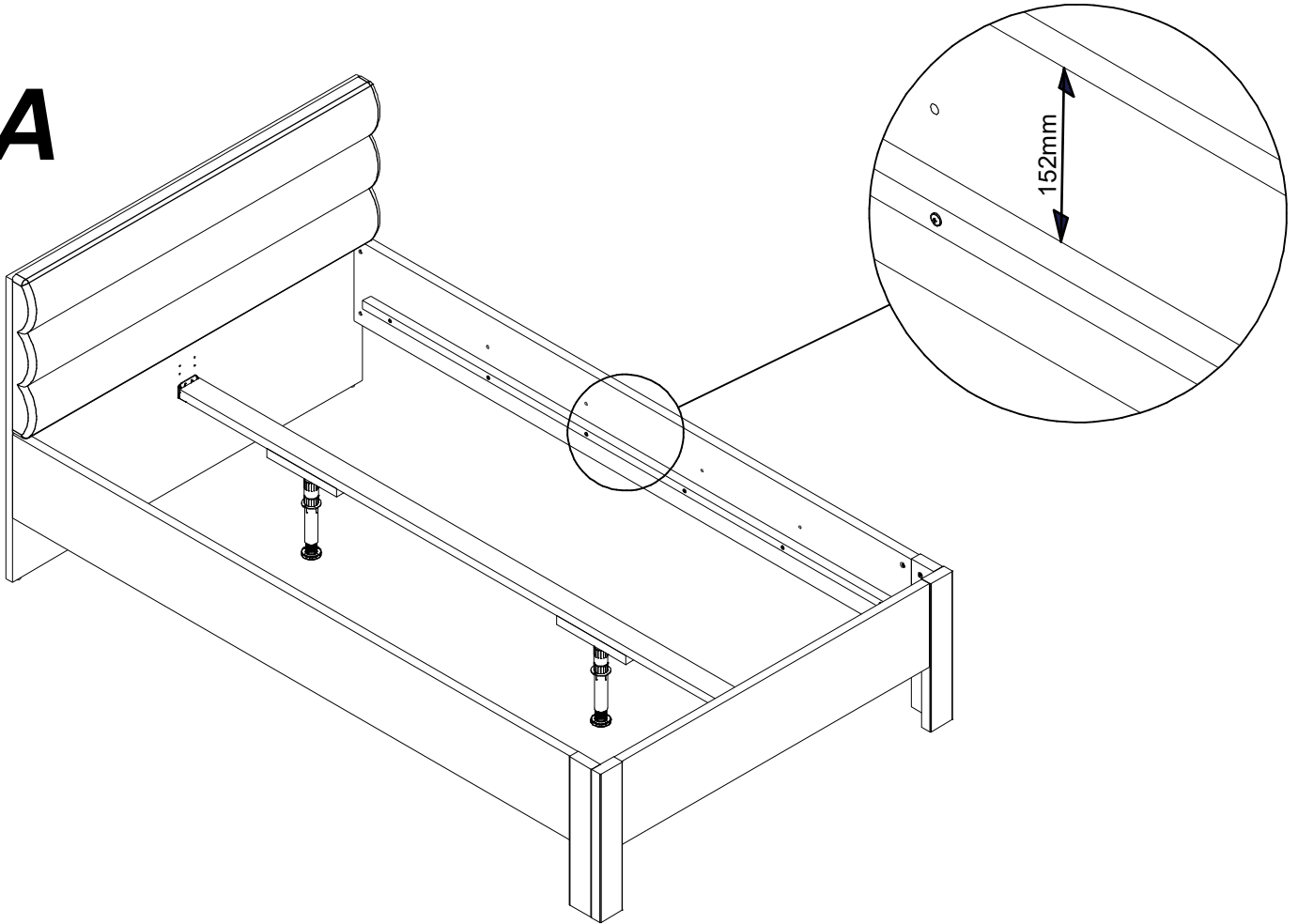
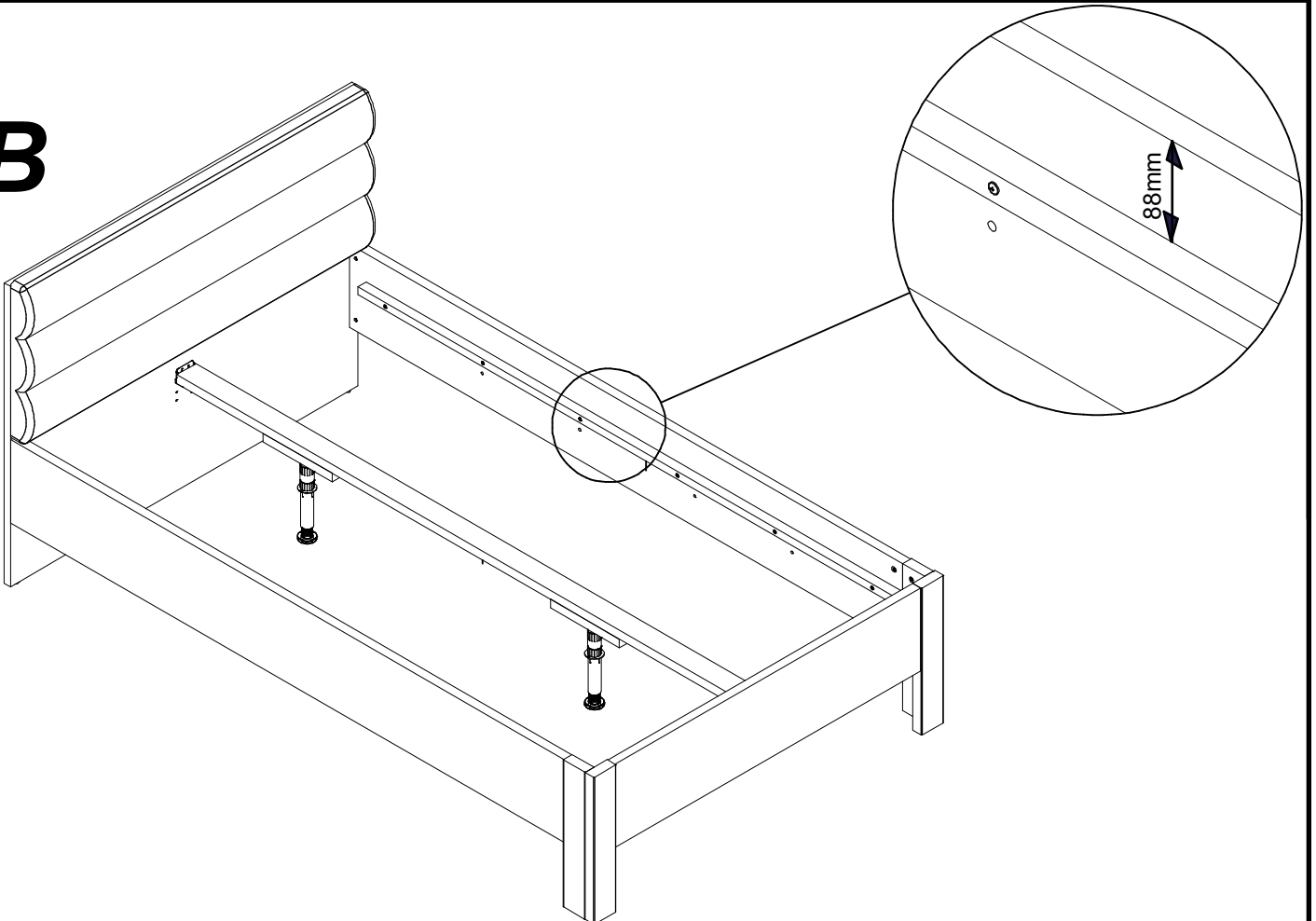
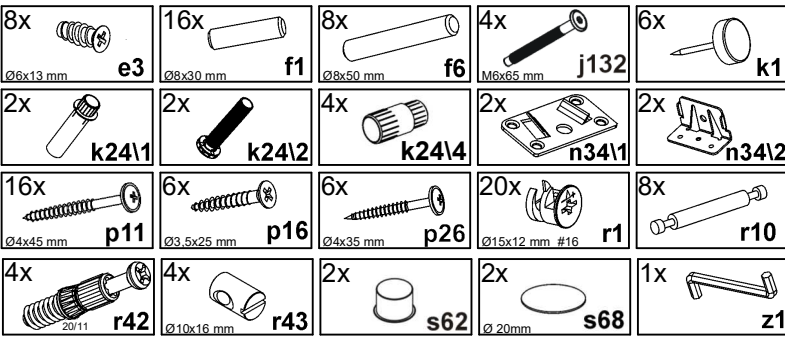


A

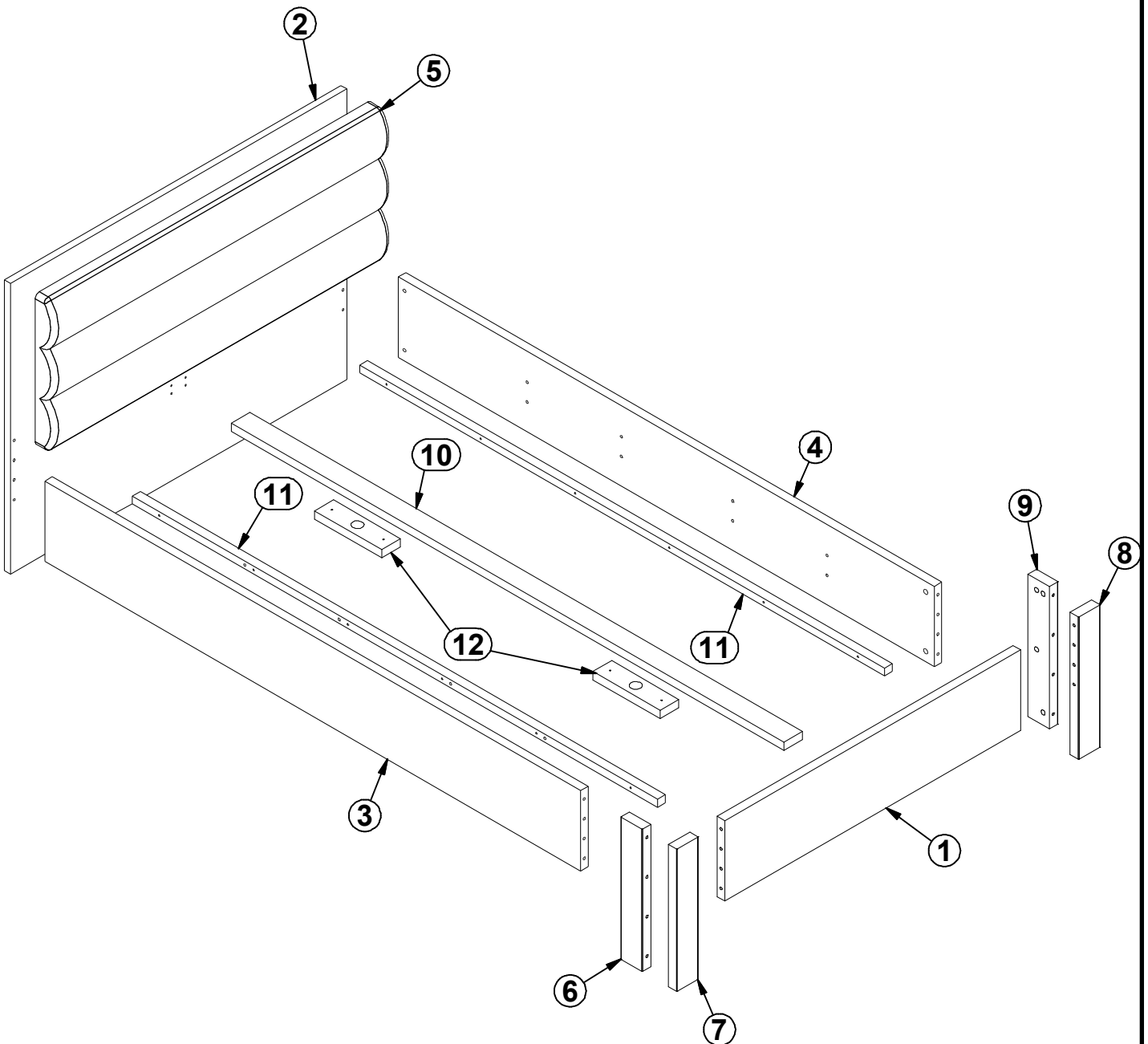


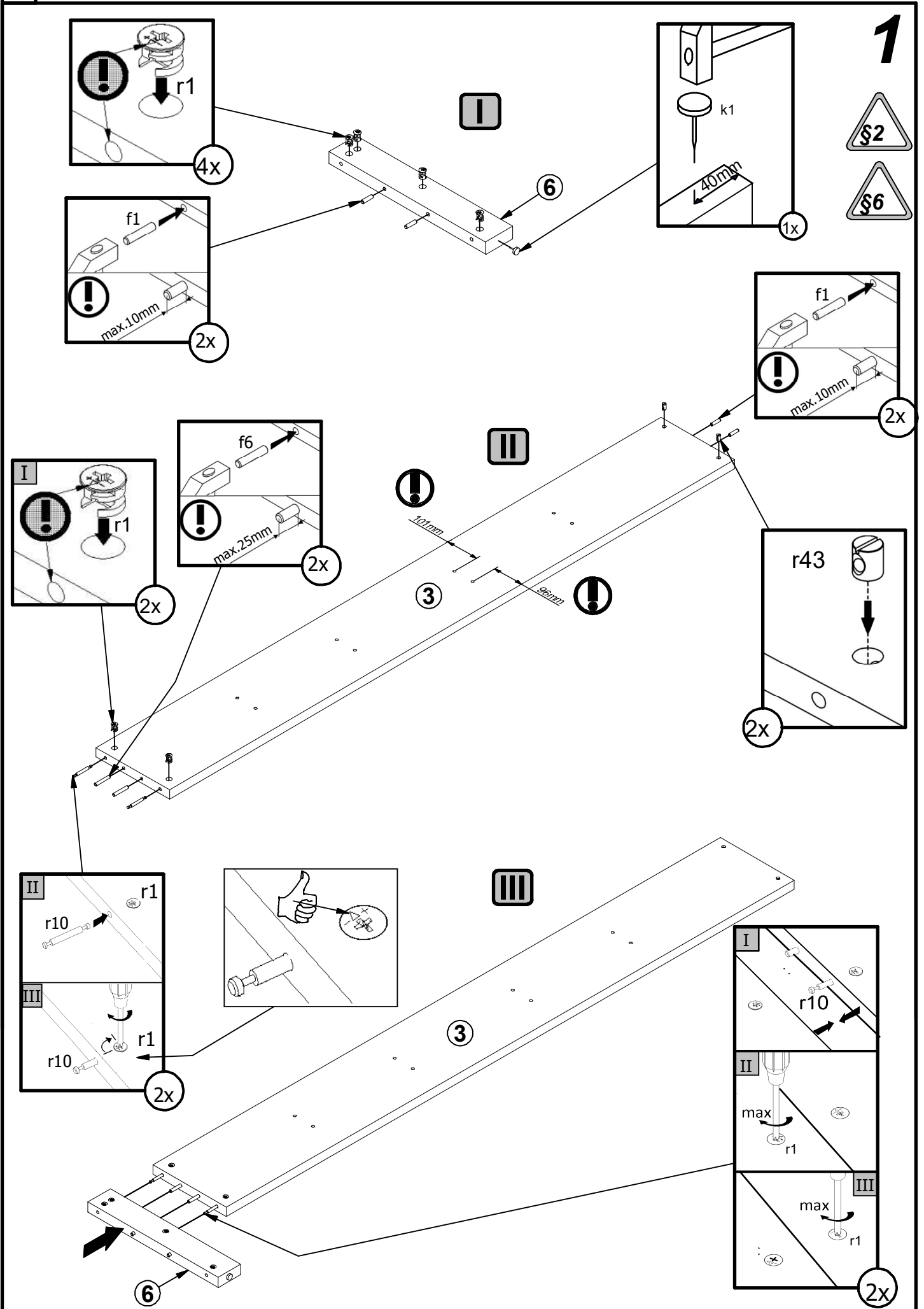
B

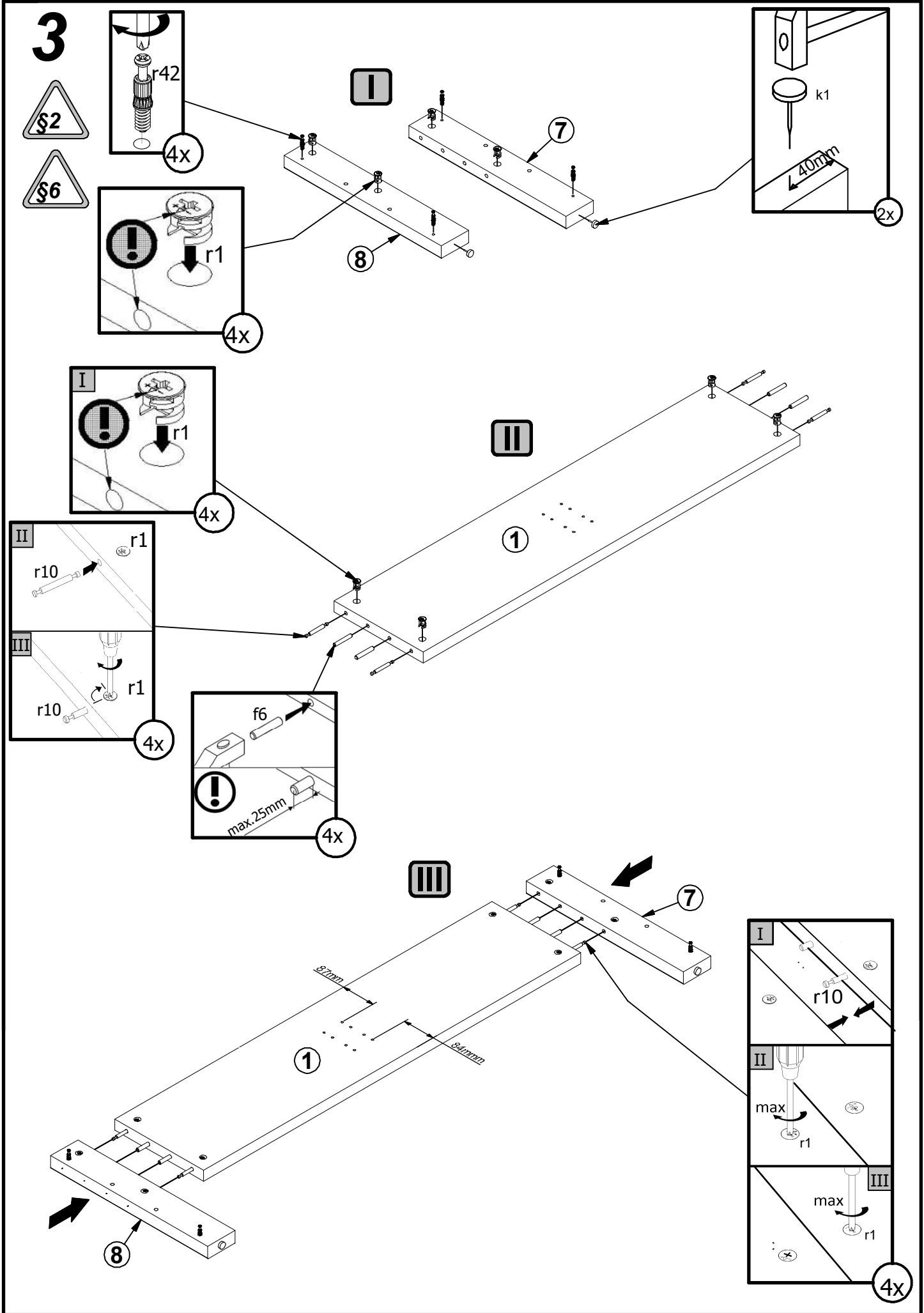




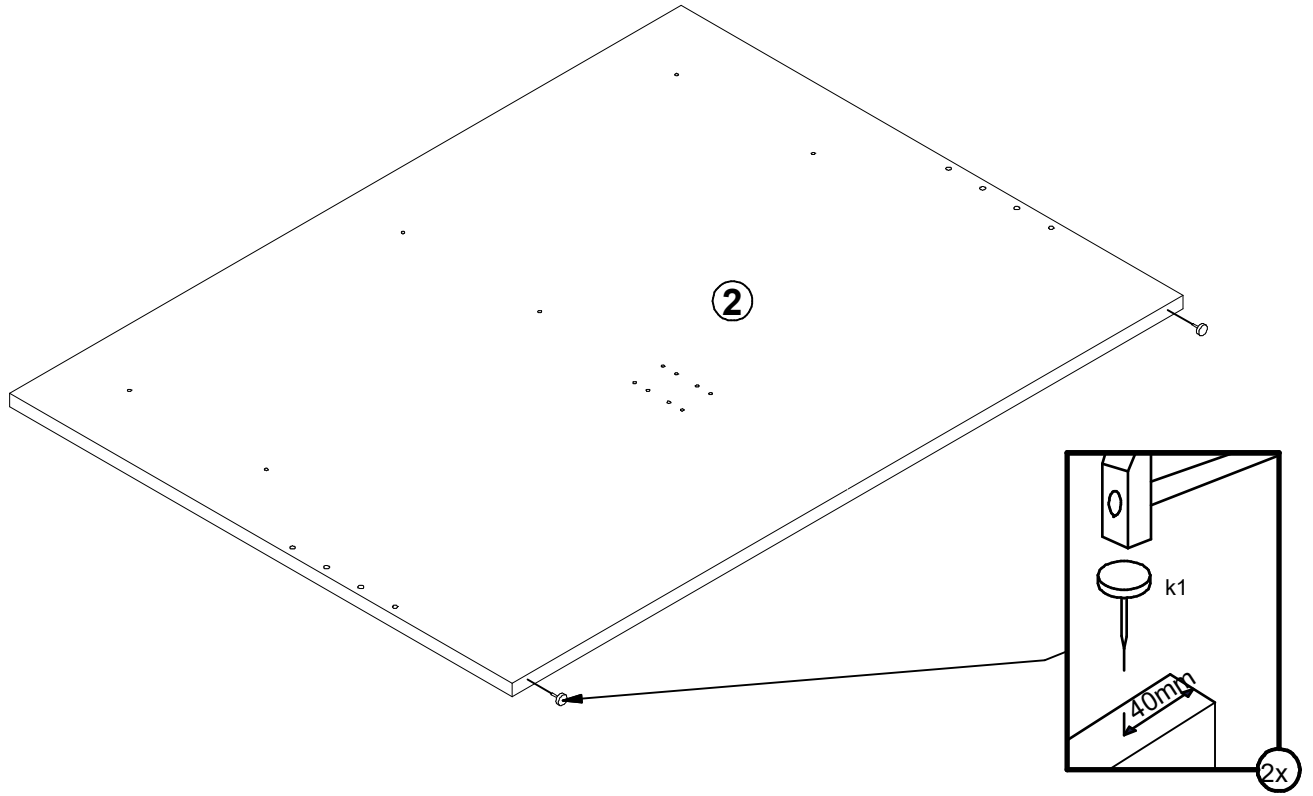
A	B	C1	C2	C3	D
1	S559-0009	1104	260	28	1/3
2	S559-0010	1256	940	22	1/3
3	S559-1013	2000	260	28	2/3
4	S559-1014	2000	260	28	2/3
5	S559-5302	1256	492	72	3/3
6	S559-5705	460	80	32	2/3
7	S559-5706	460	80	32	2/3
8	S559-5707	460	80	32	2/3
9	S559-5708	460	80	32	2/3
10	ZZ1-7001	2063	70	27	2/3
11	ZZ1-7002	1960	25	30	2/3
12	ZZ1-759-01	250	70	27	2/3



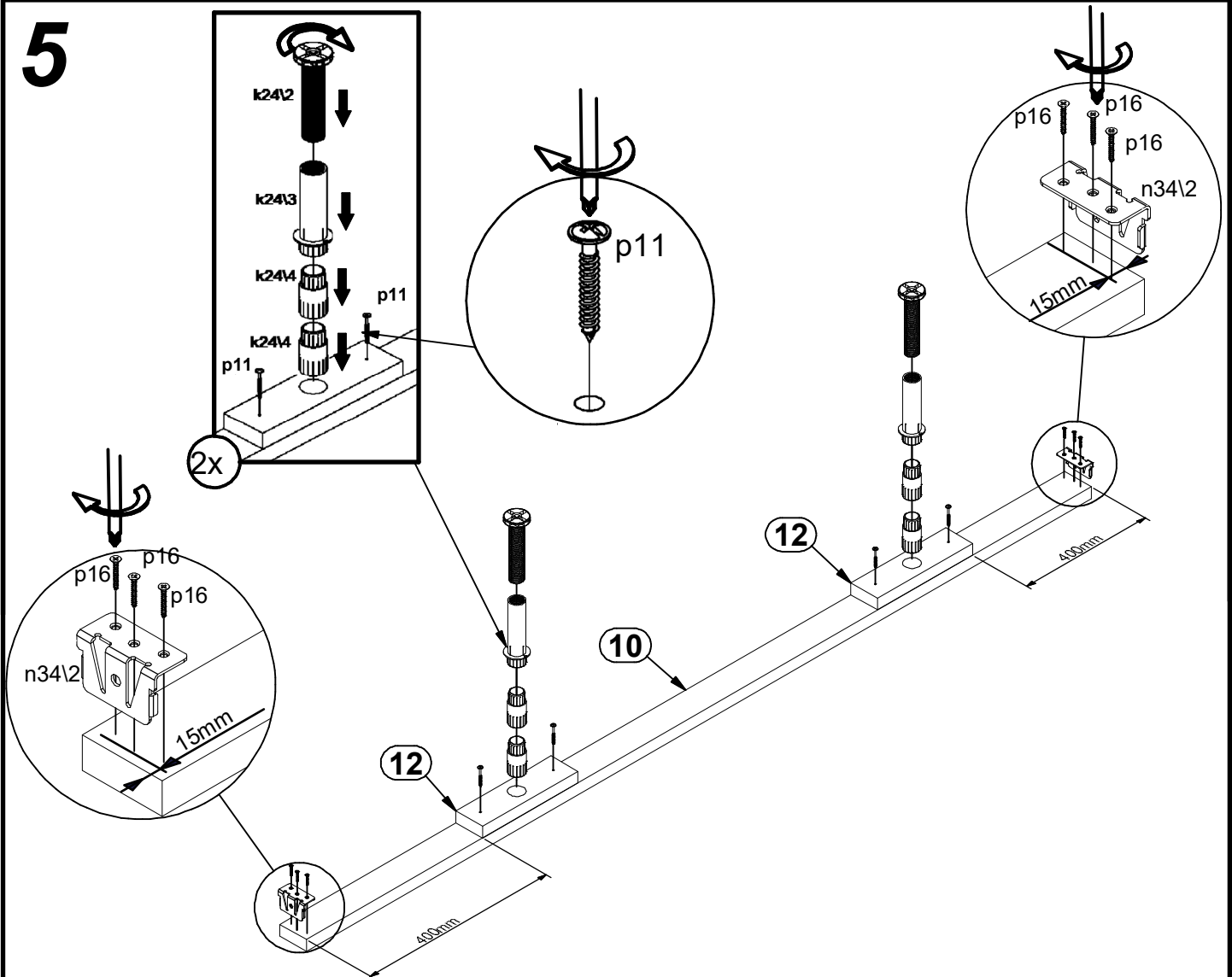




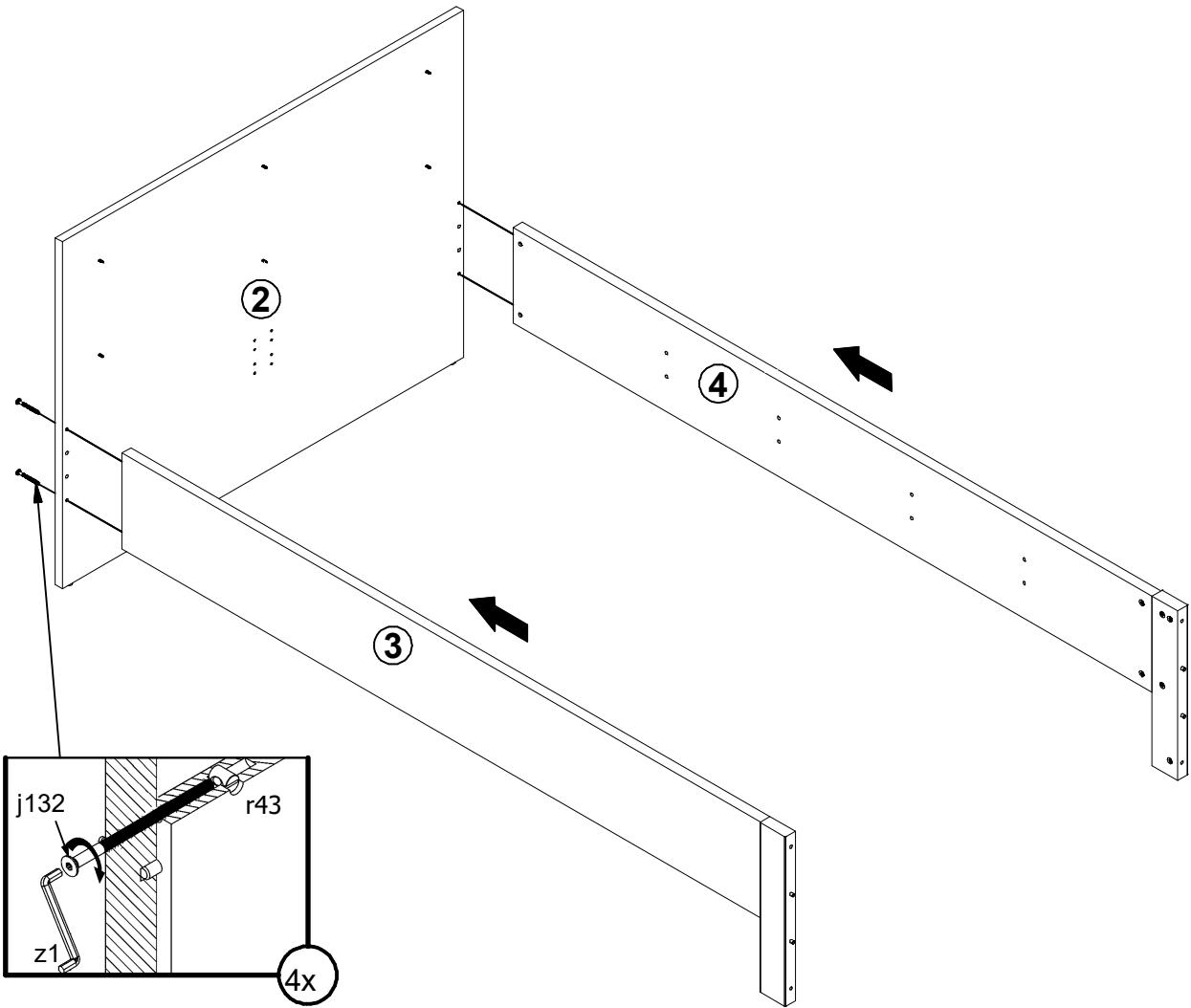
4



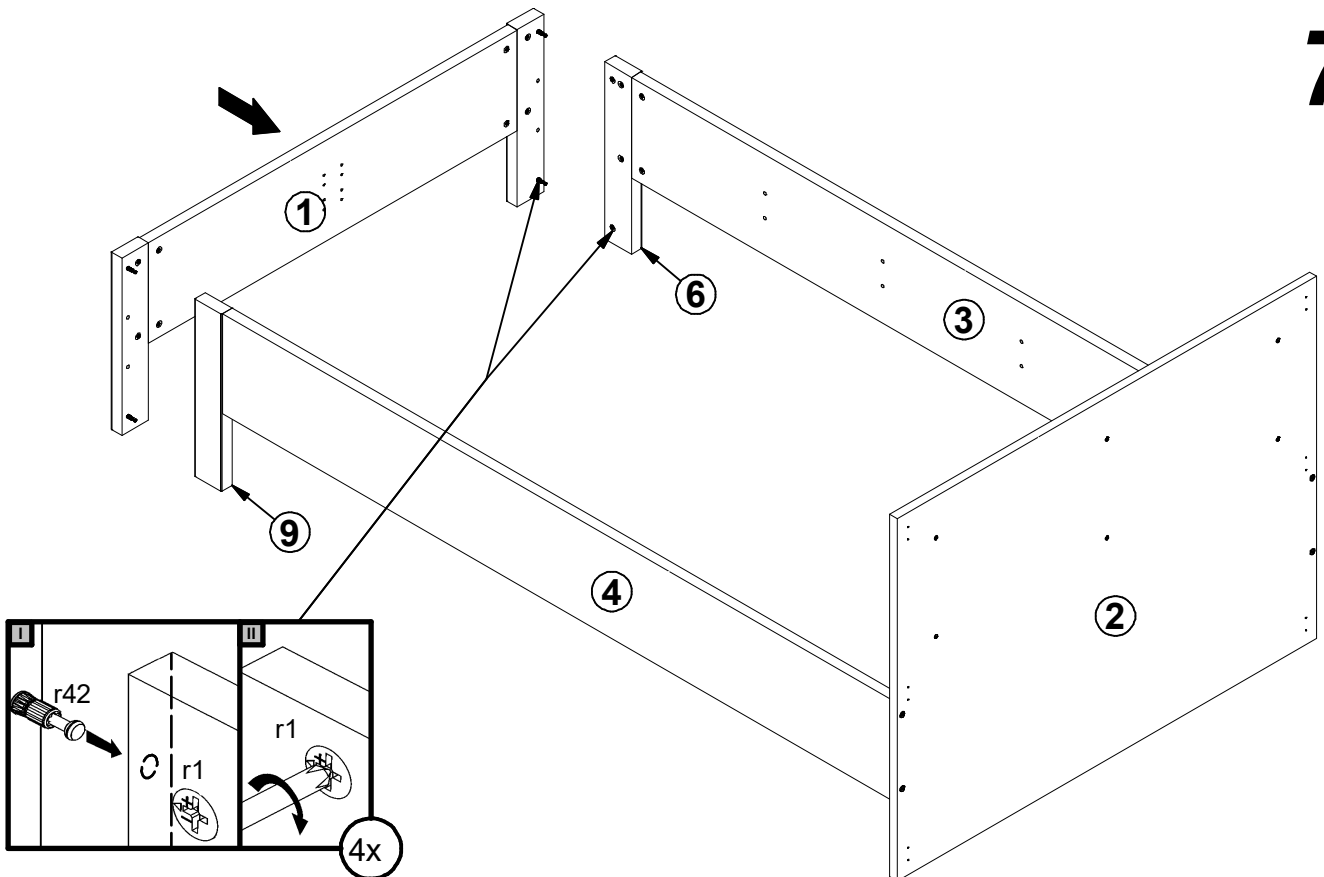
5

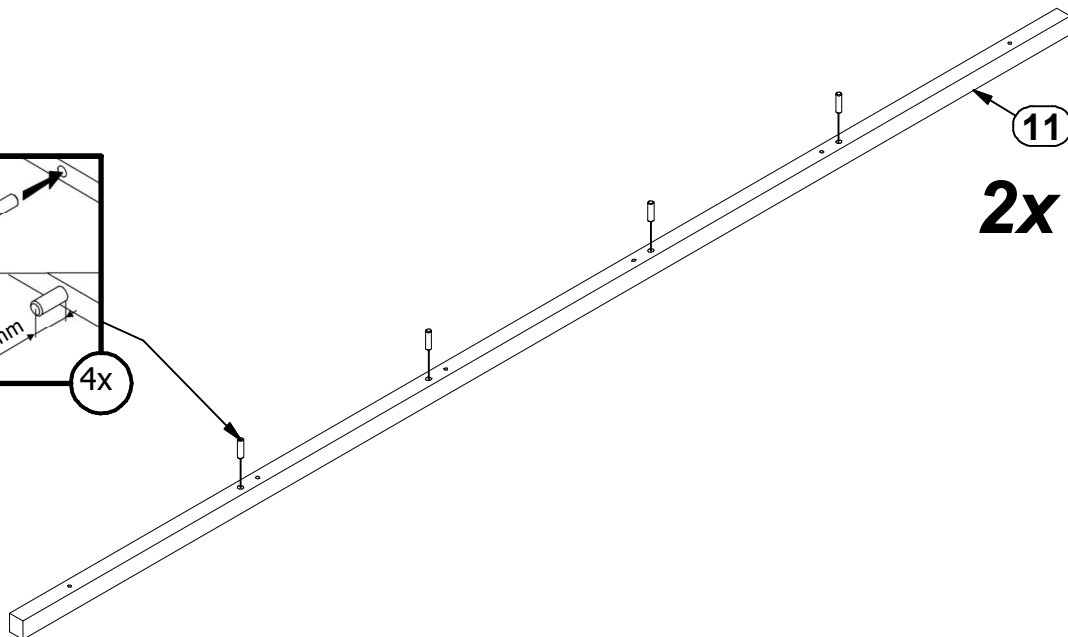
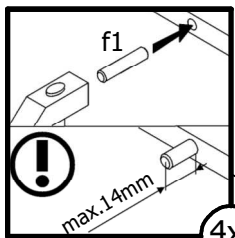
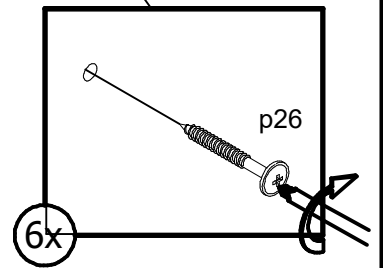
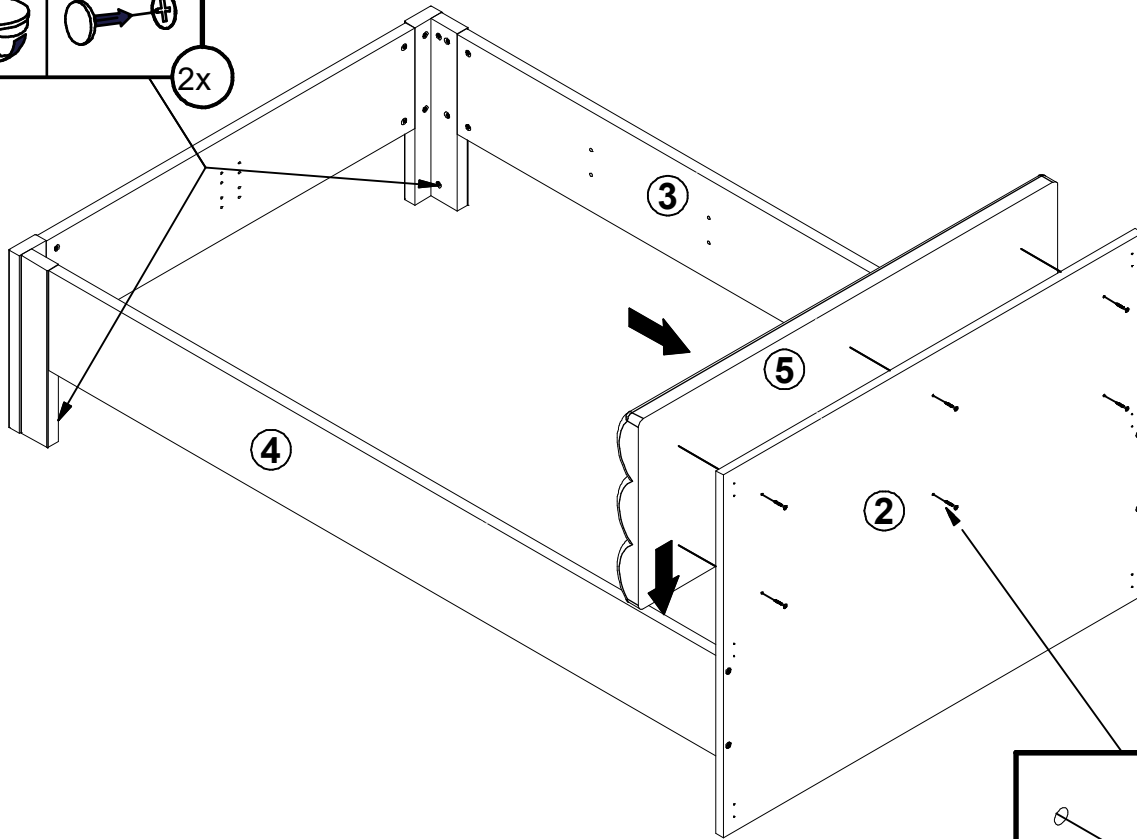
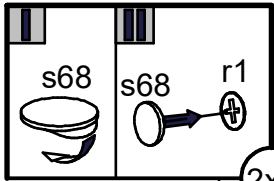


6

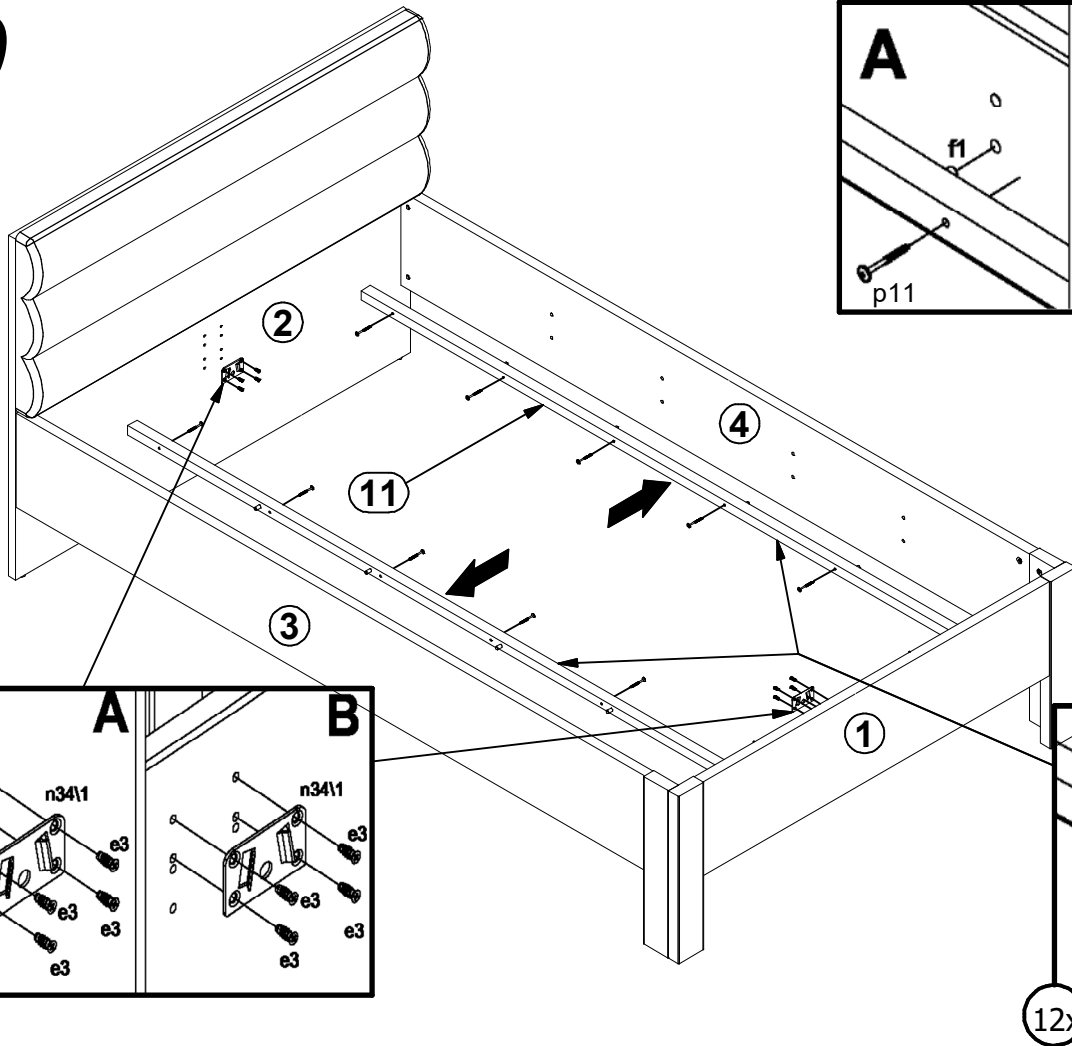
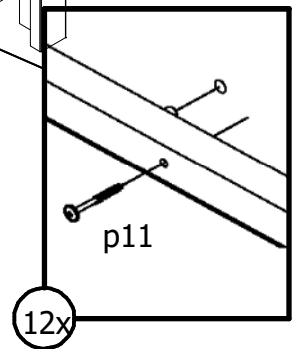
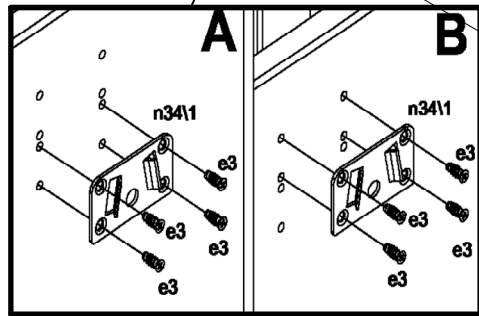
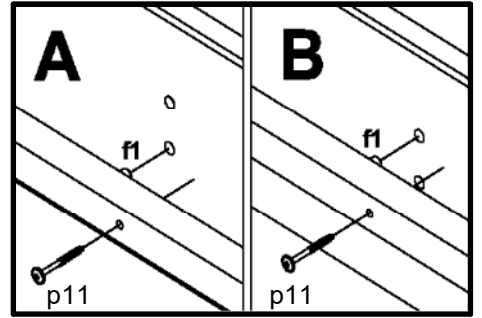


7





10



11

