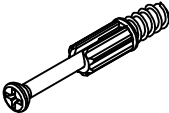


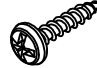

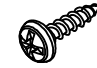
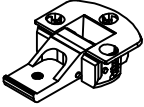

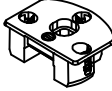


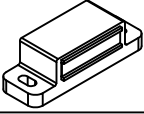

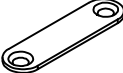
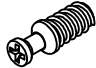

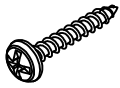
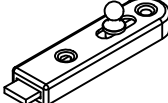

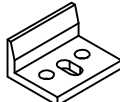
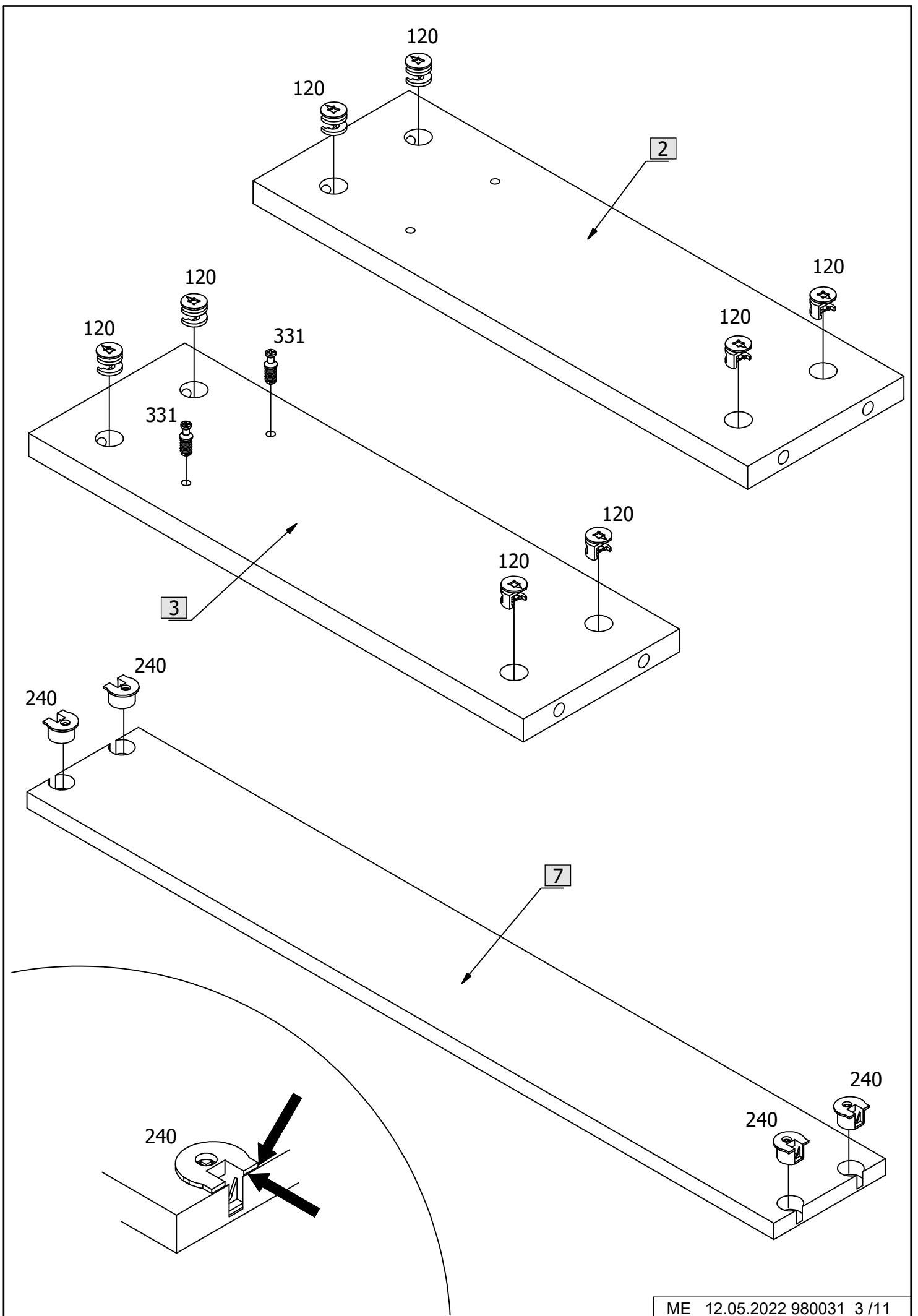
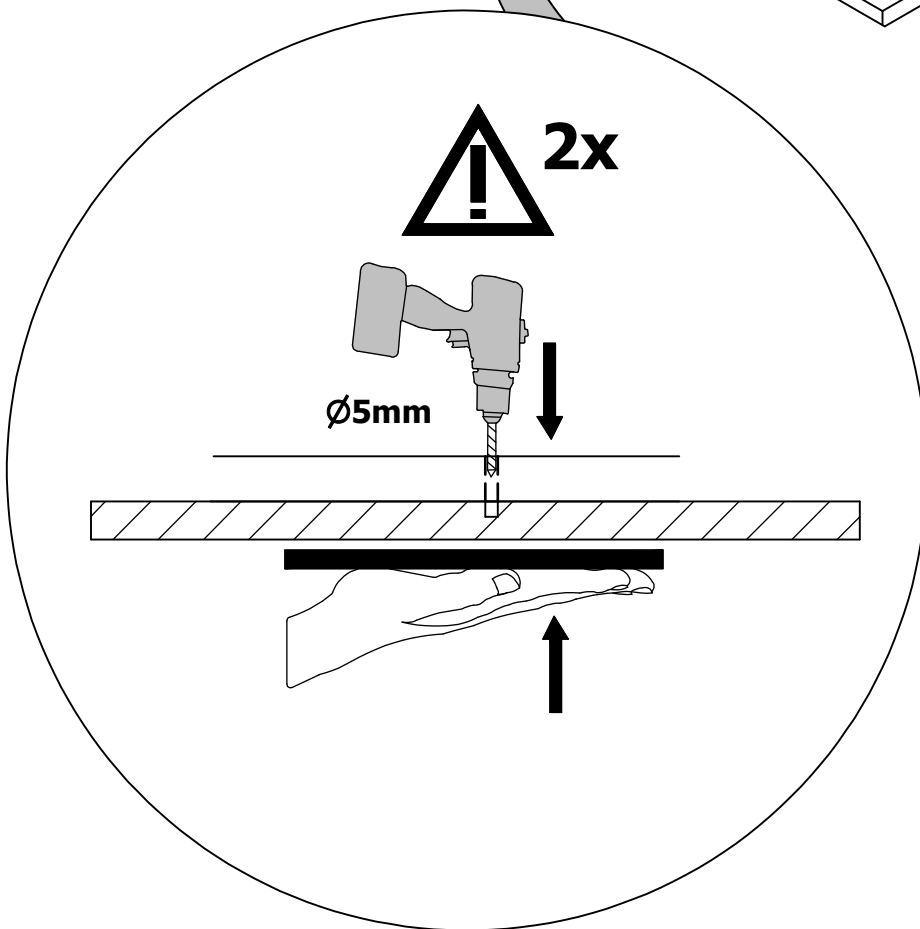
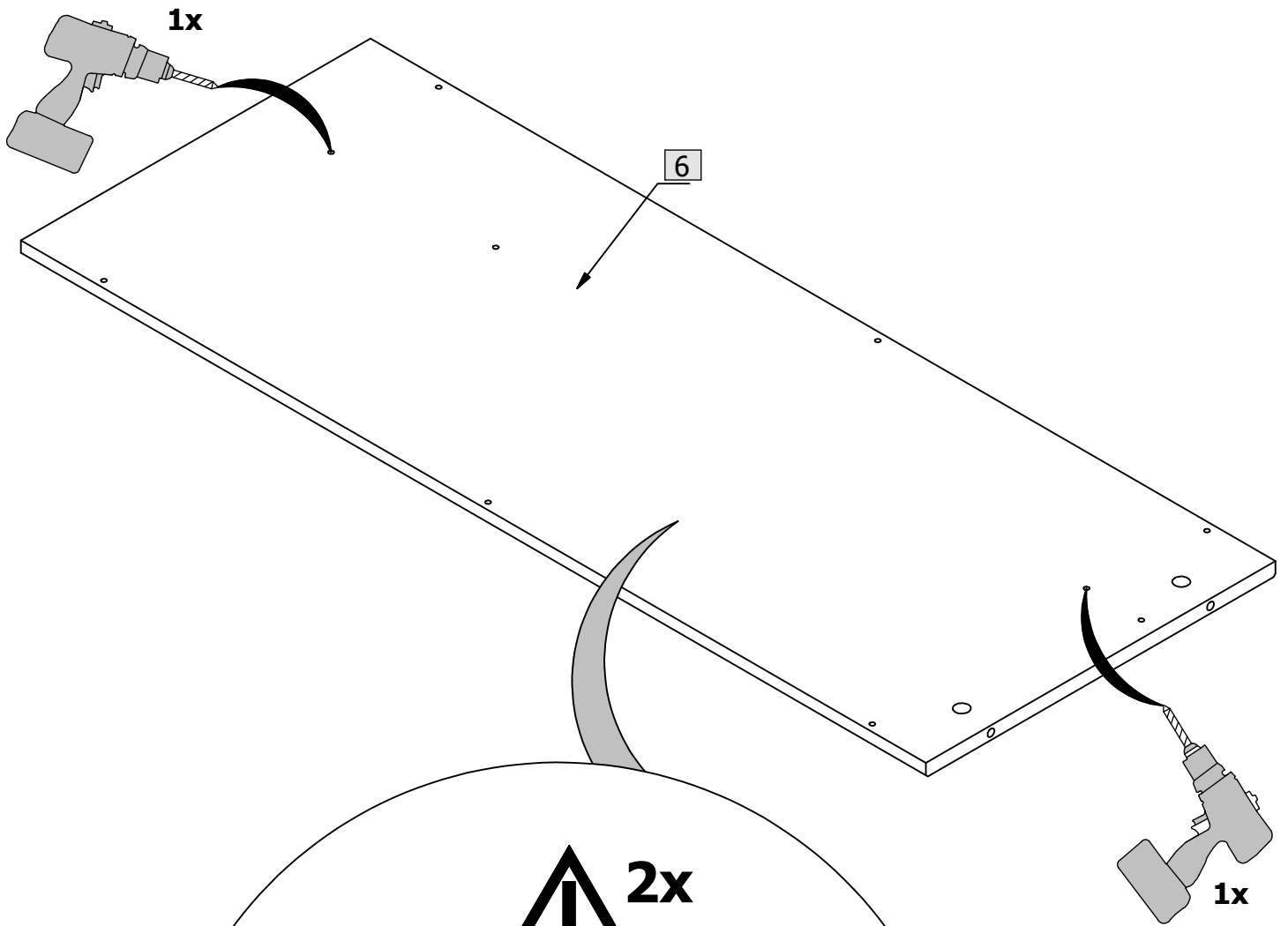
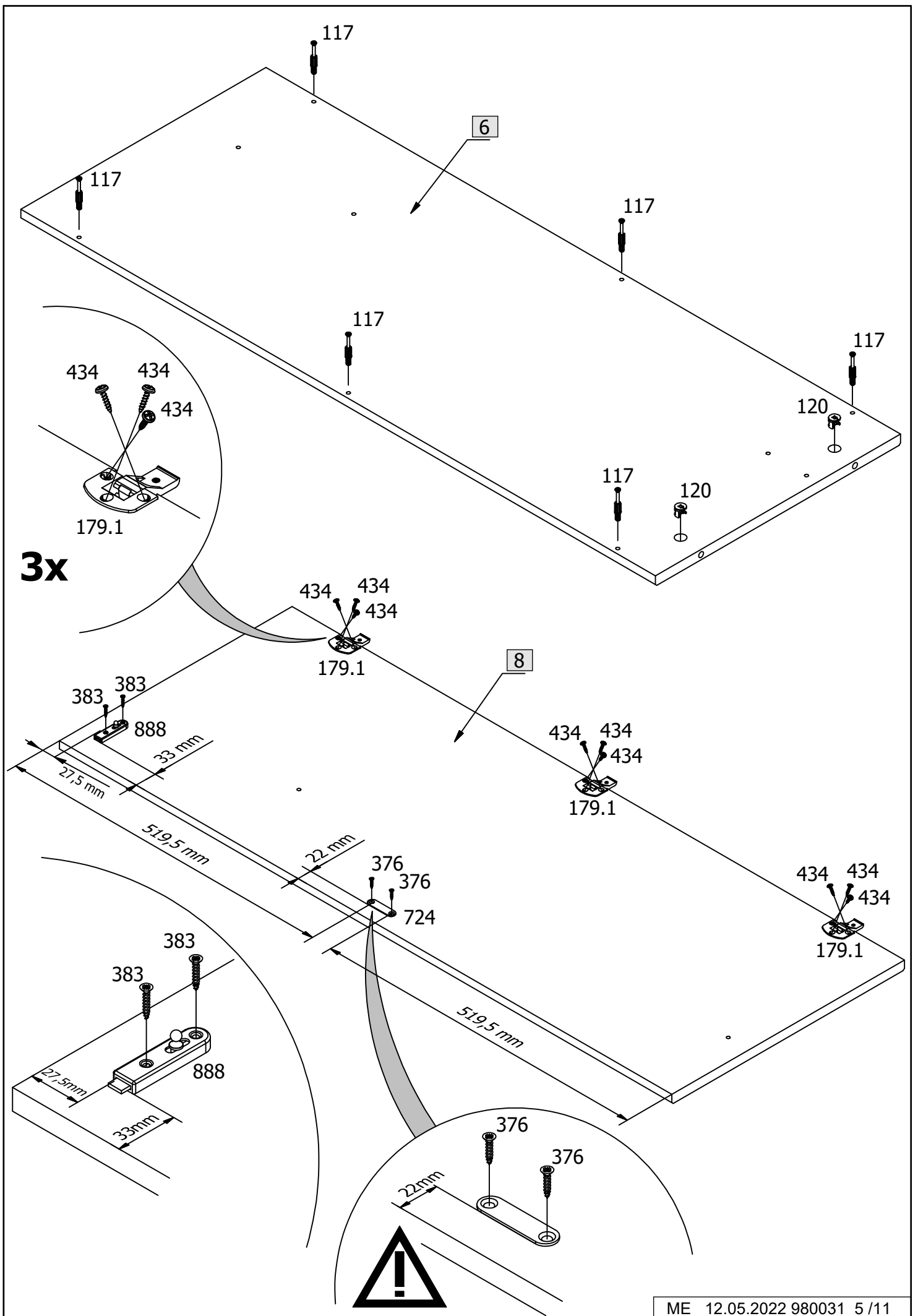
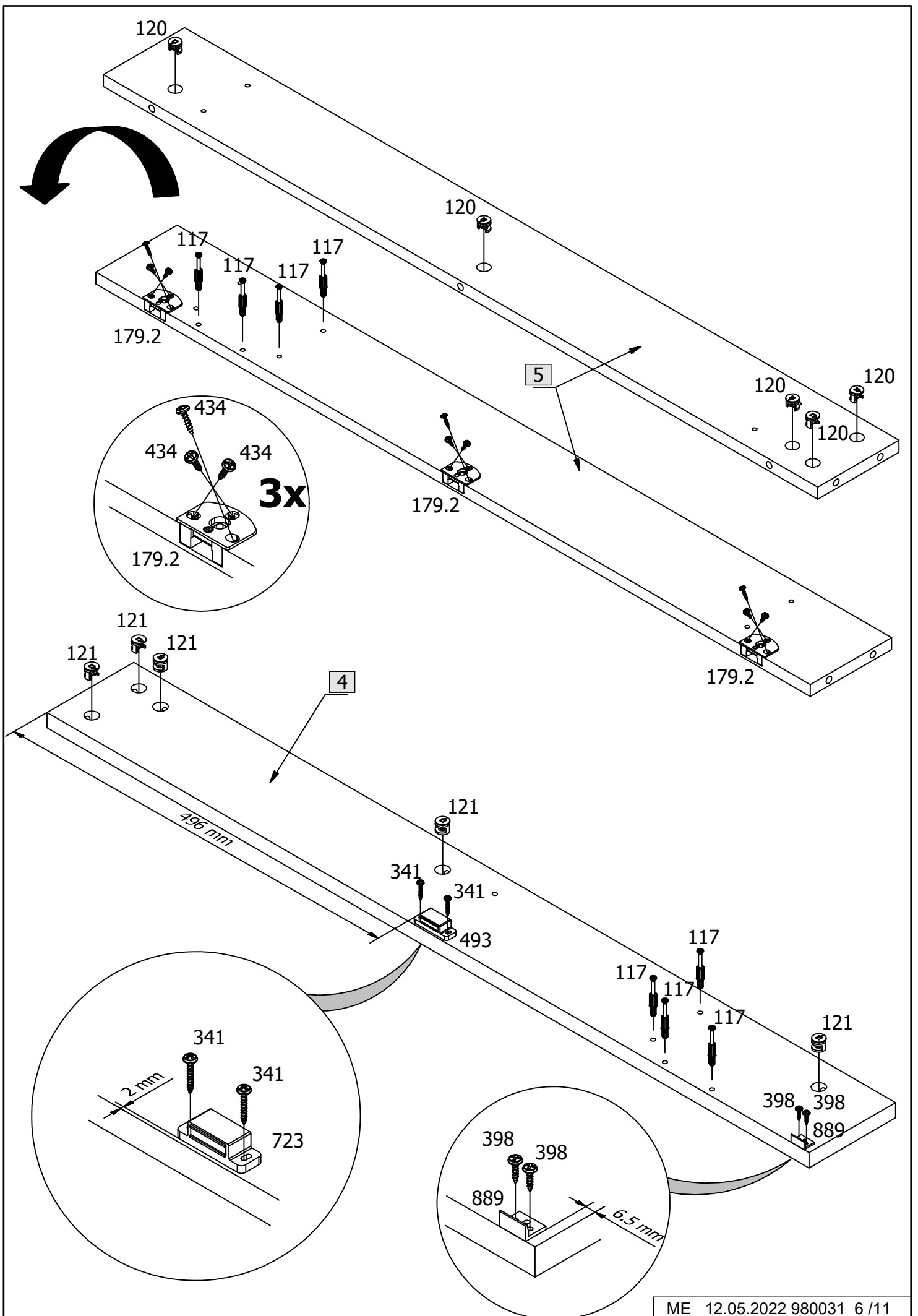


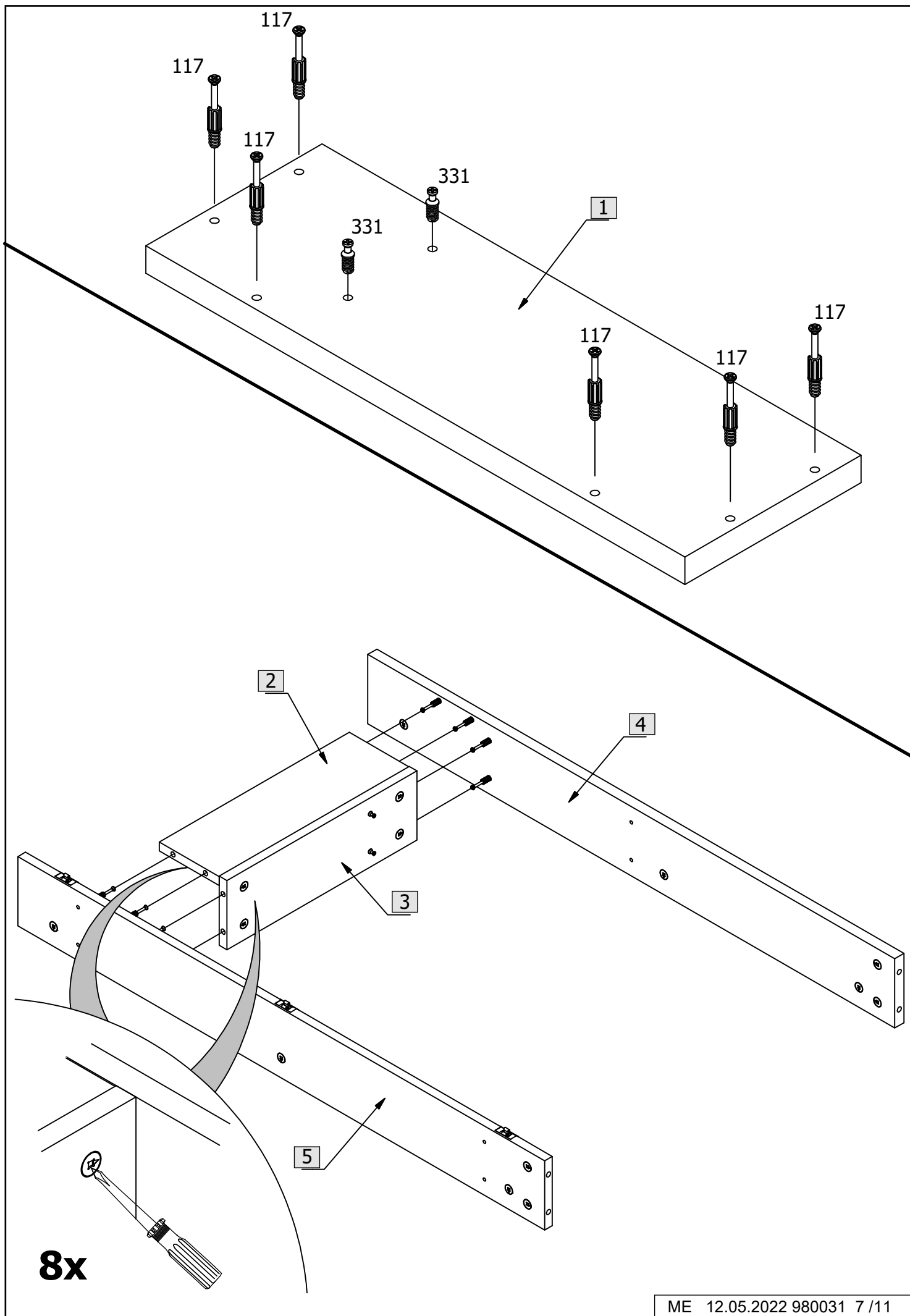
117	20			383	2		3 x 17 mm
120	15		H=12 mm	398	2		3 x 15 mm
121	5		H=15 mm	434	18		3 x 13 mm
179.1	3			435	4		M4 x 20 mm
179.2	3			493	4		
179.3	3		M4 x 9 mm	723	1		
240	4			724	1		
331	4			884	2		
341	2		3 x 20 mm	888	1		
376	2		3 x 15 mm	889	1		



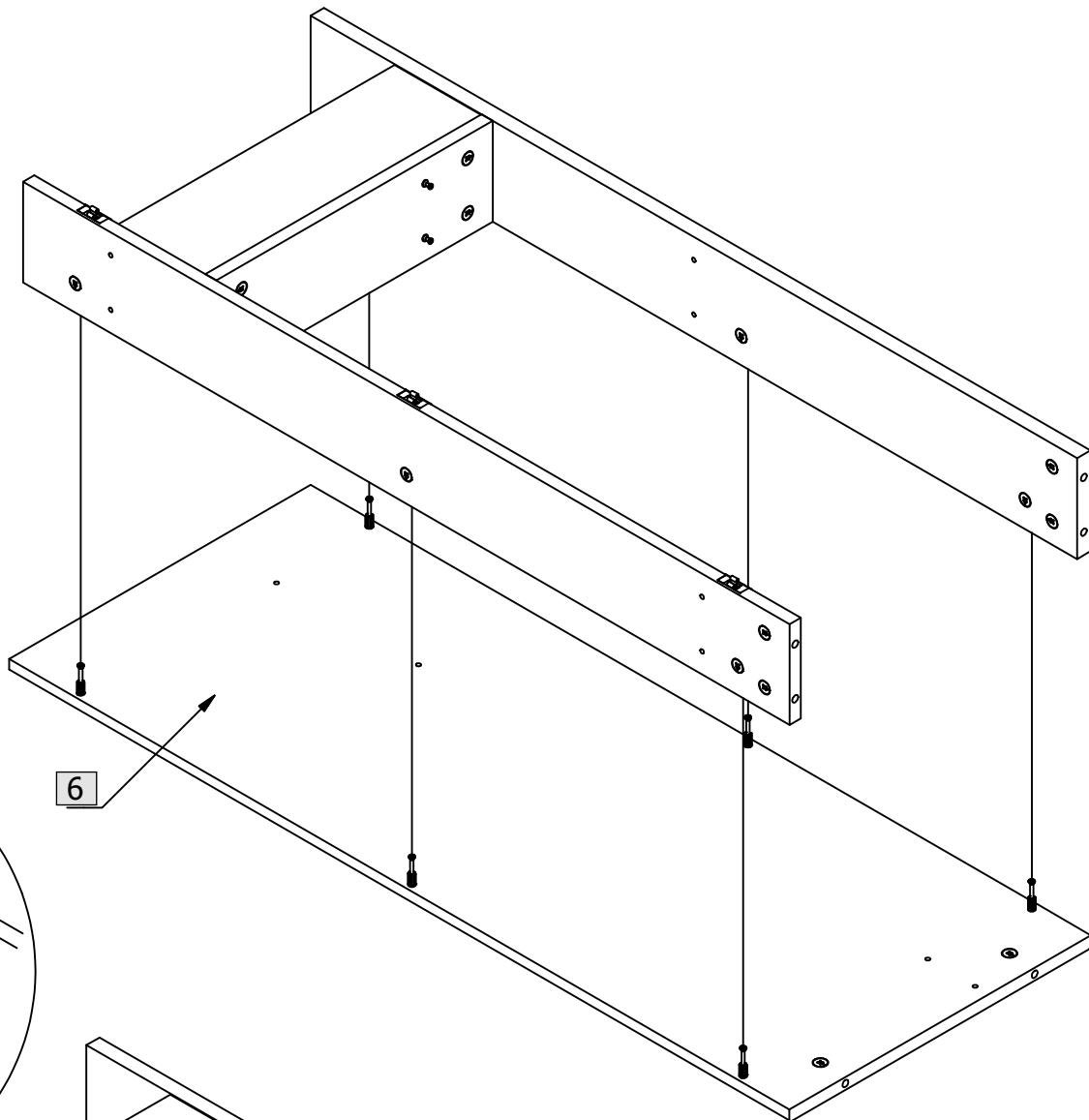
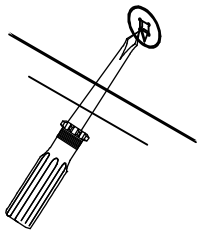




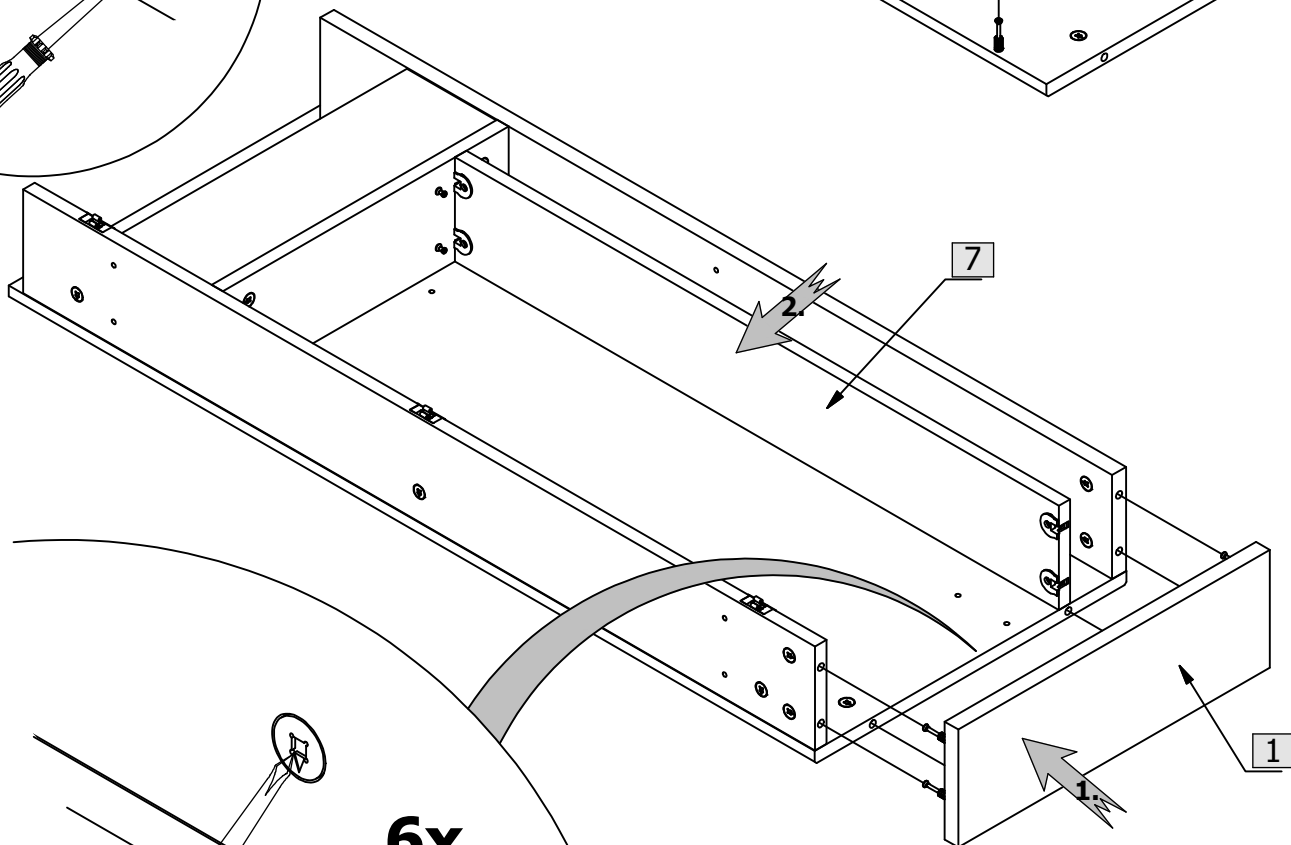
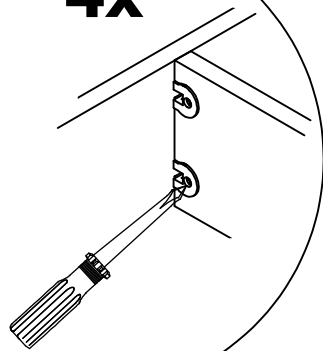




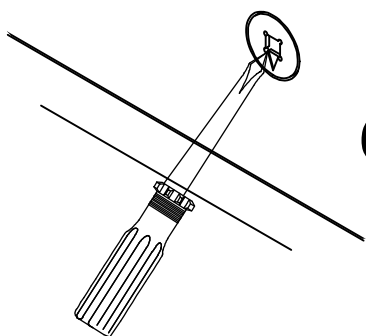
6x

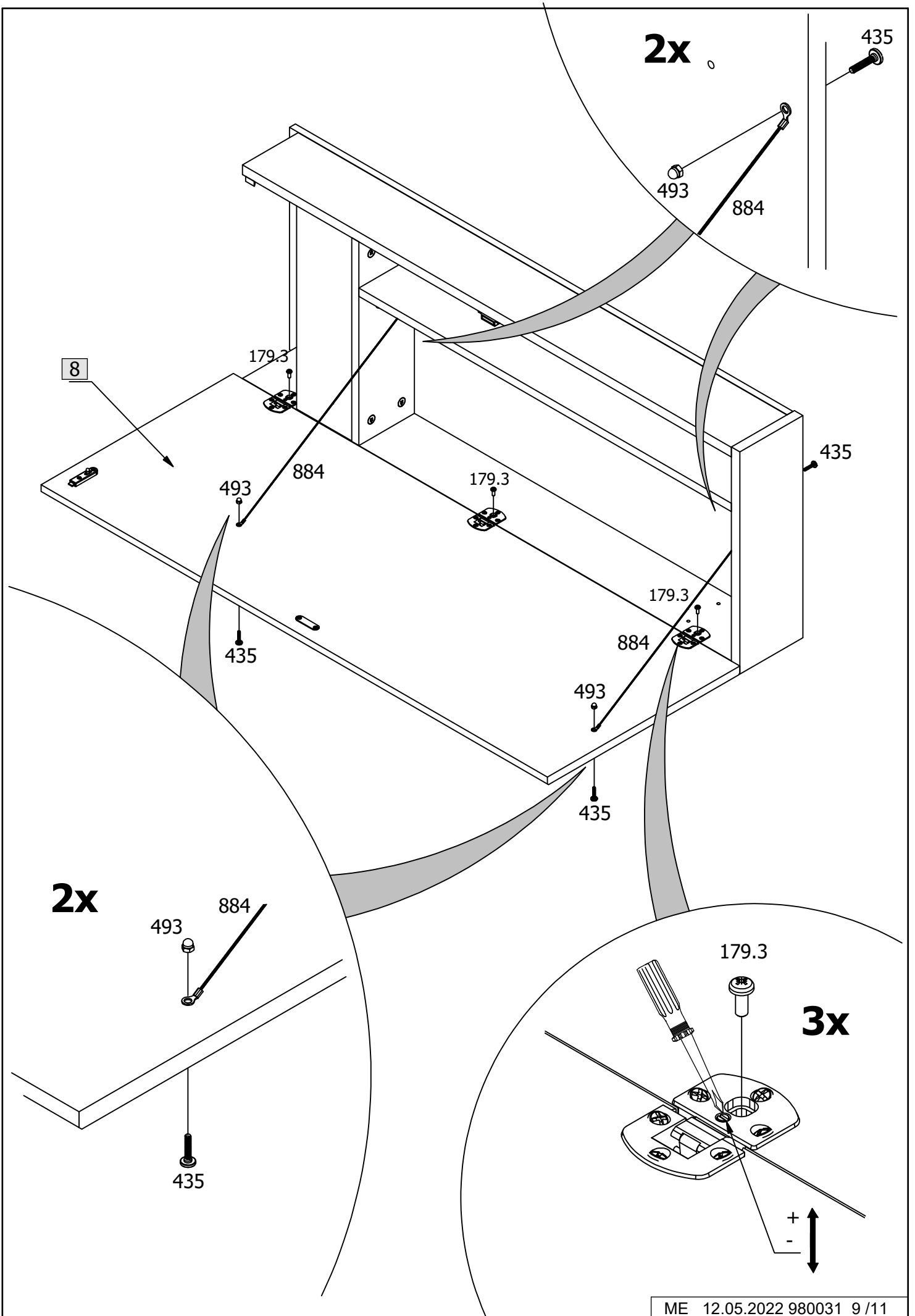


4x



6x





2x

435

493

884

8

179.3

435

493

884

179.3

179.3

435

884

493

435

2x

493

884

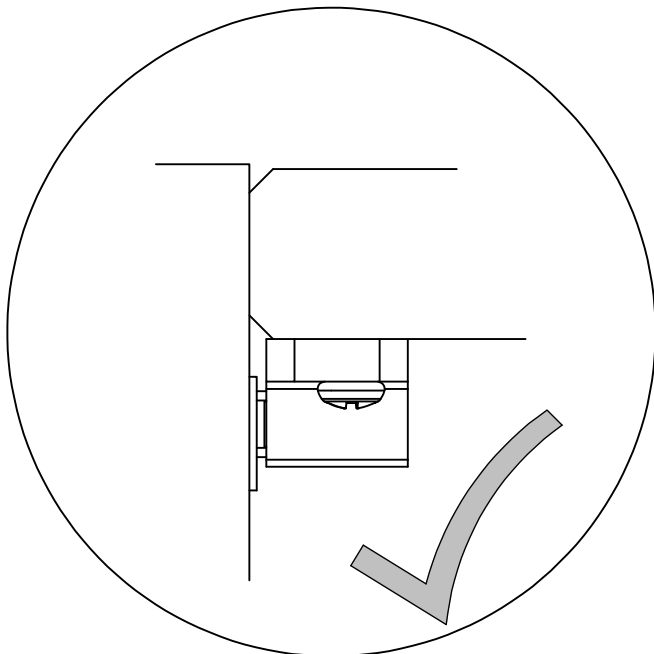
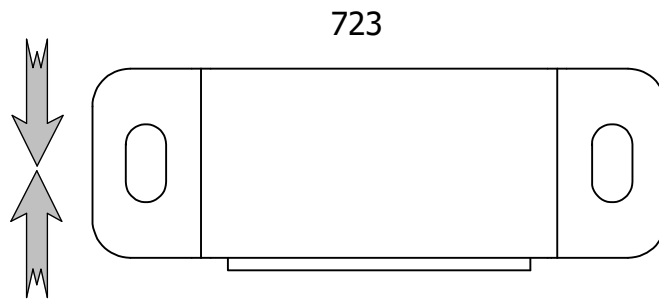
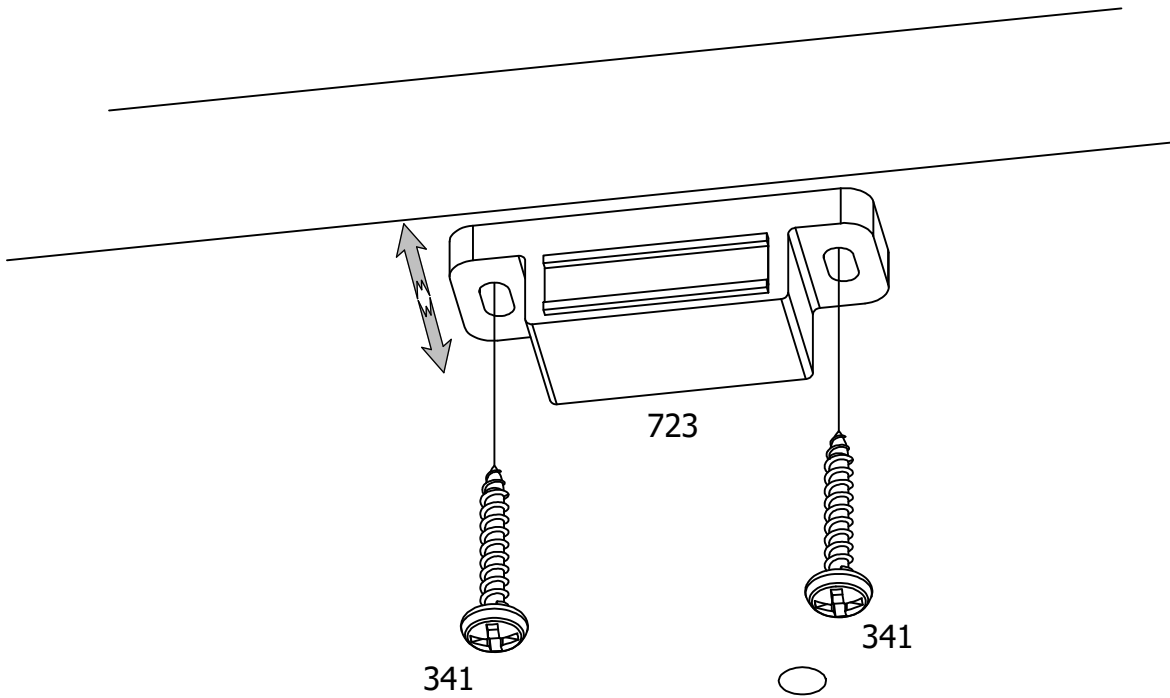
435

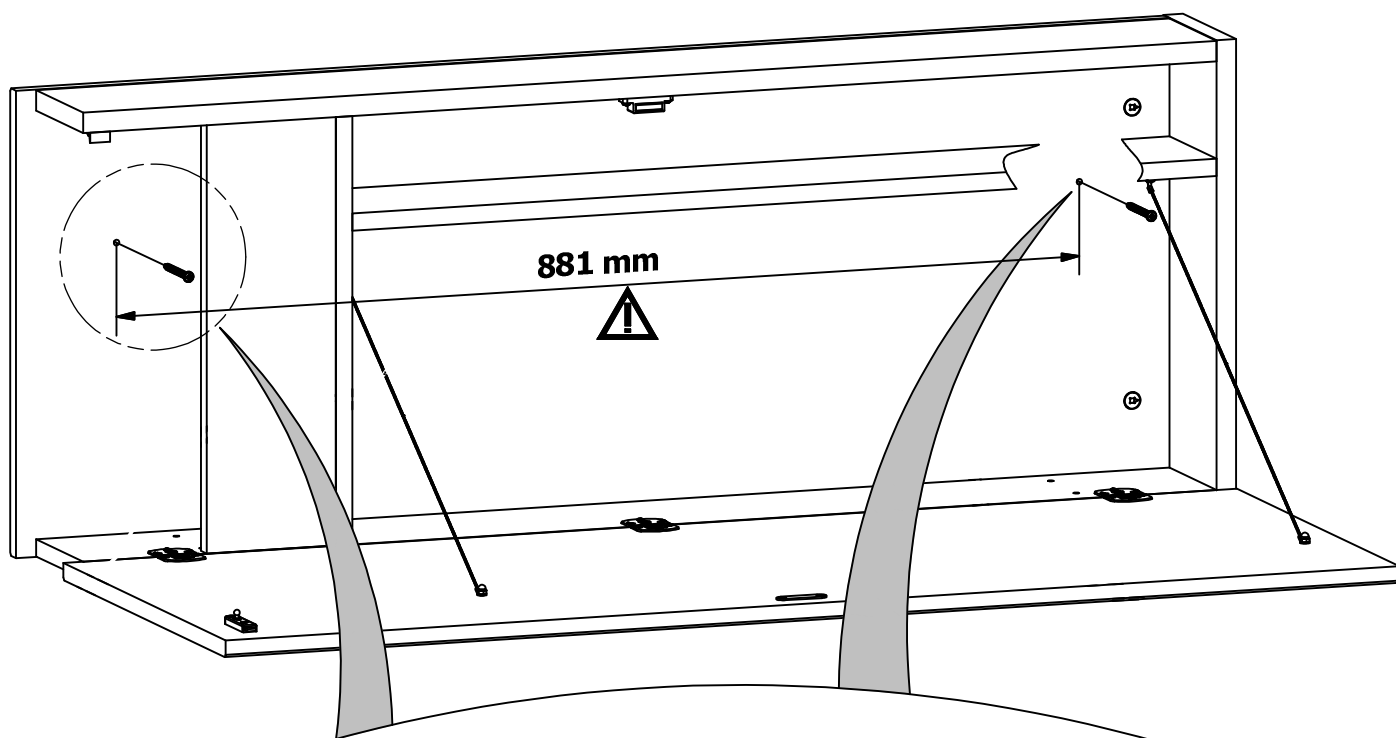
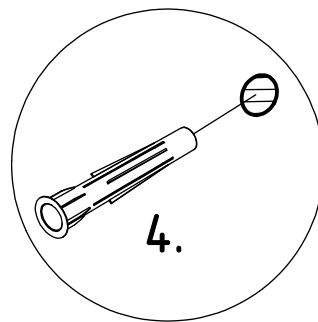
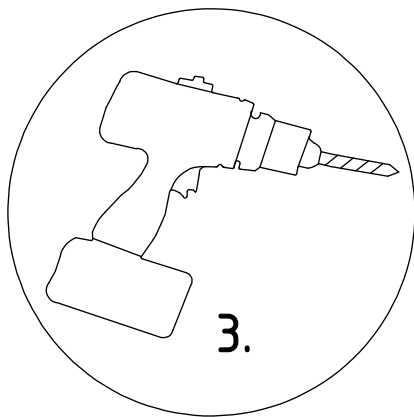
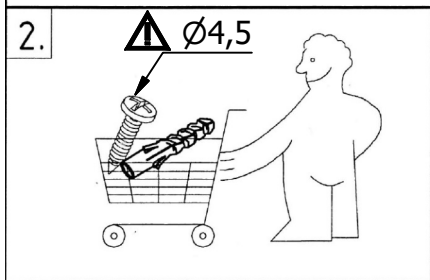
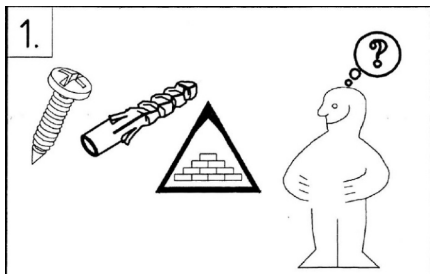
179.3

3x

+

-





2x

5.

