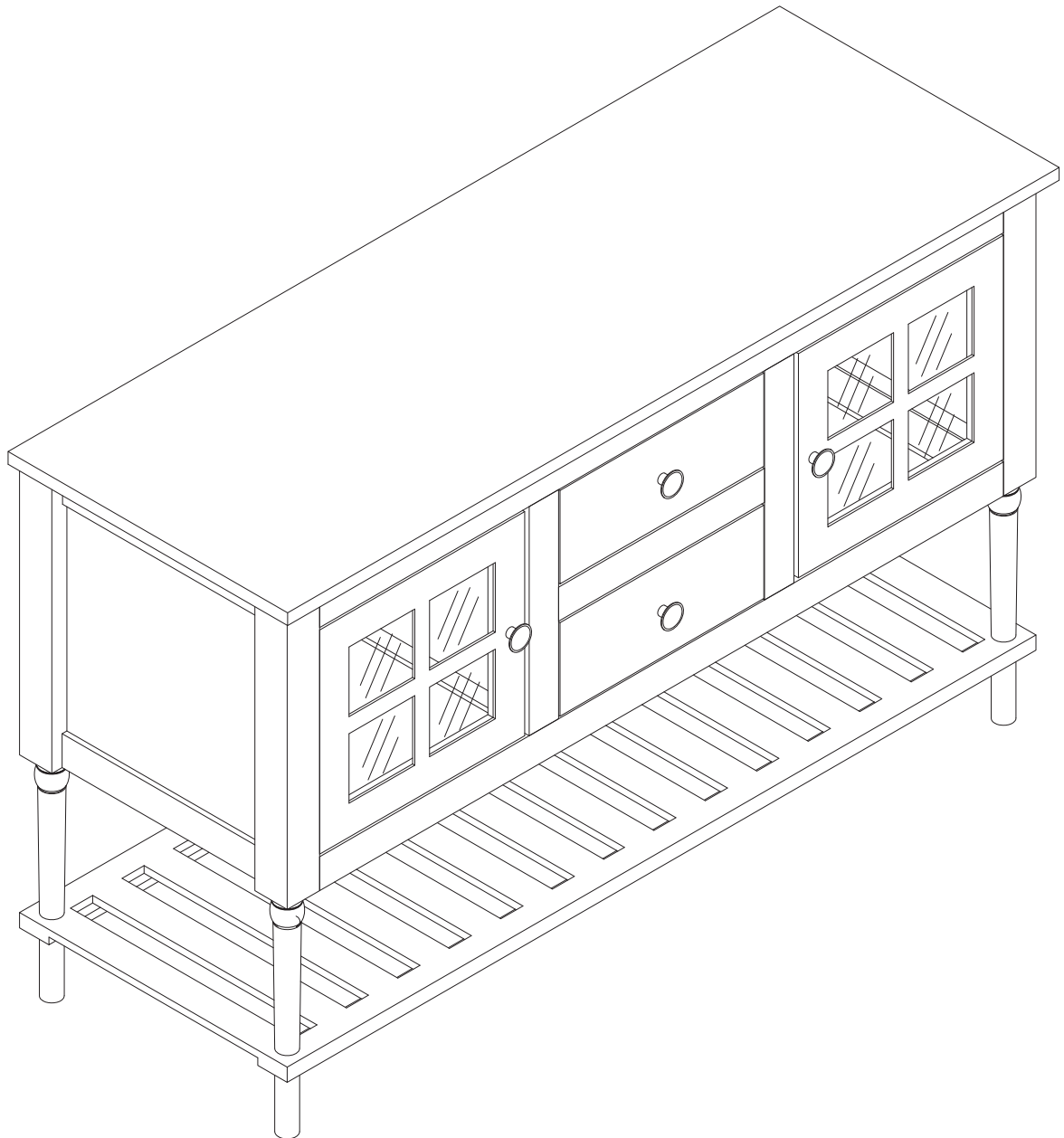
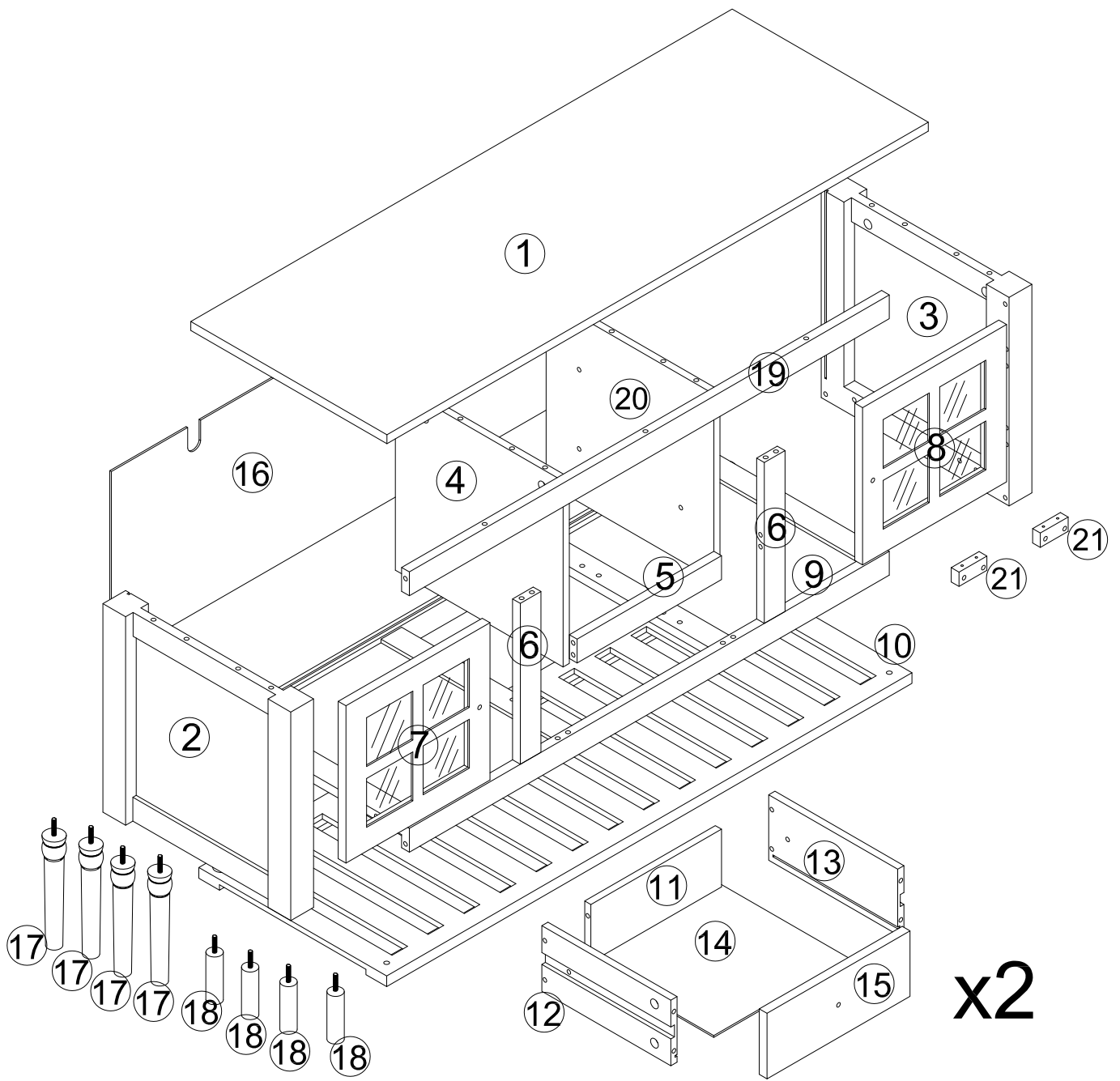
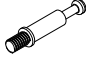

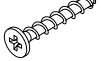





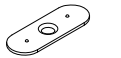








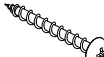





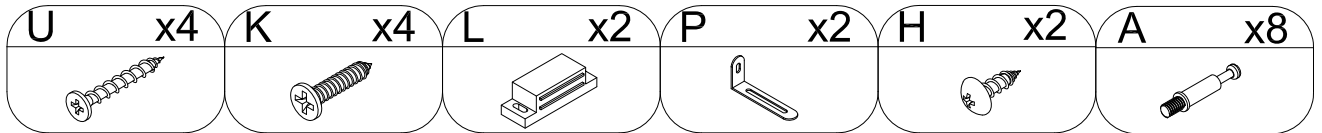
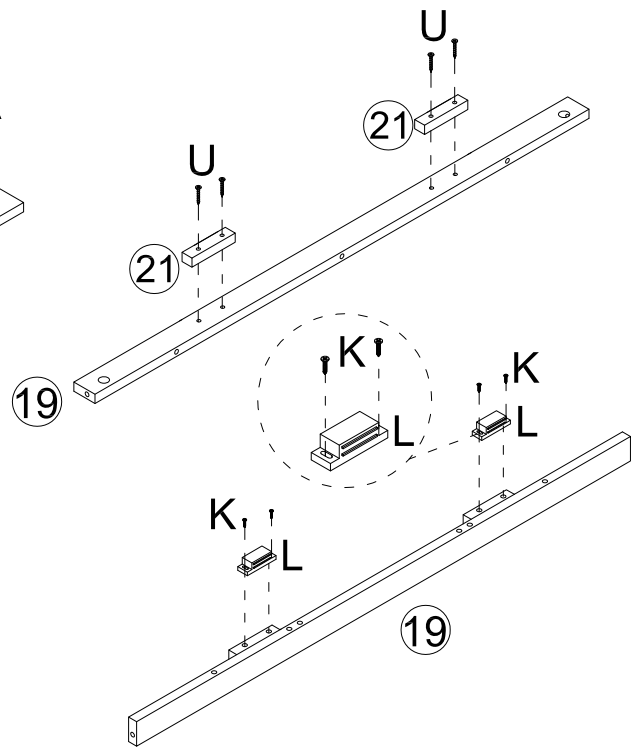
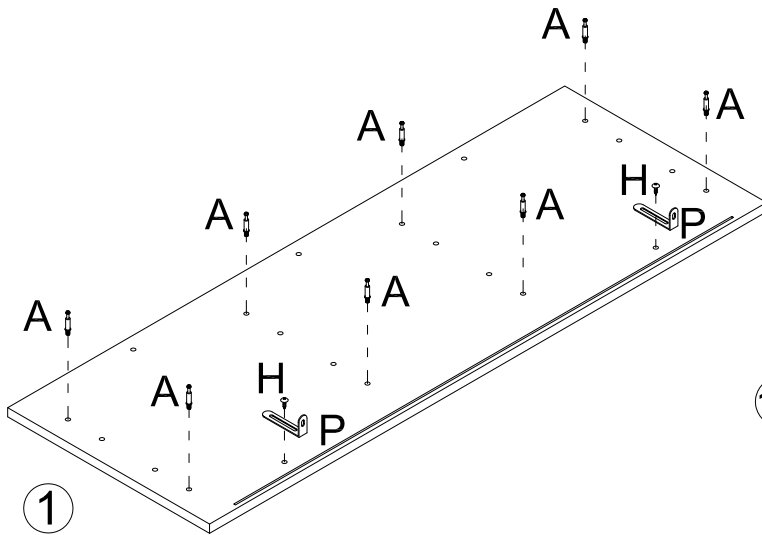
WF285457



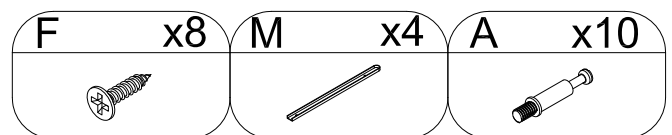
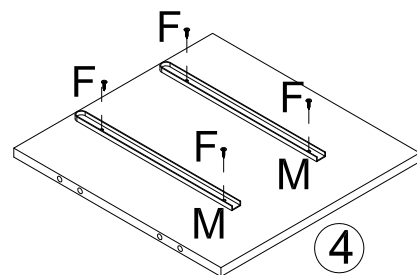
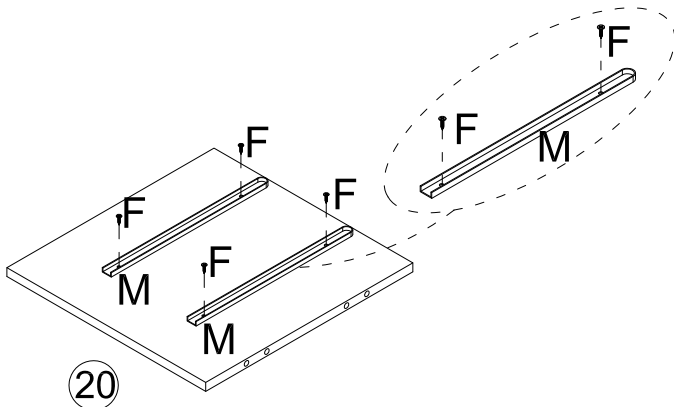
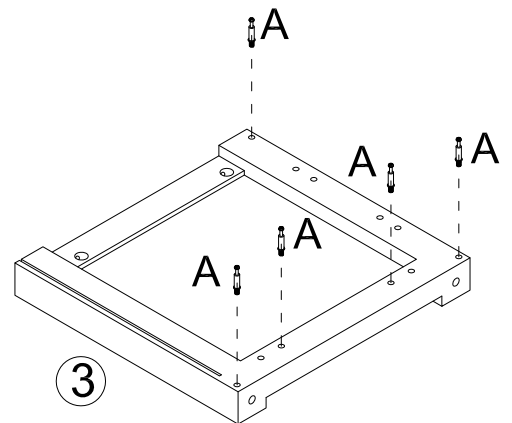
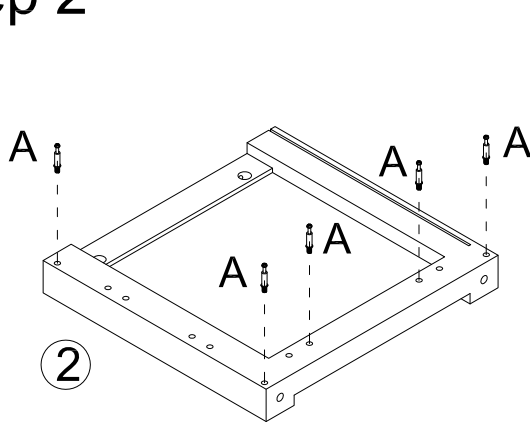


A x26 	B x26 	C x8 	D x29 	E x4 	F x26 
G x4 	H x2 	I x2 	J x10 	K x14 	L x2 
M x4 	N x4 	O x4 	P x2 	Q x2 	R x4 
S x4 	T x4 	U x4 			

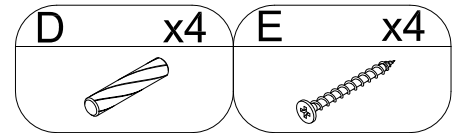
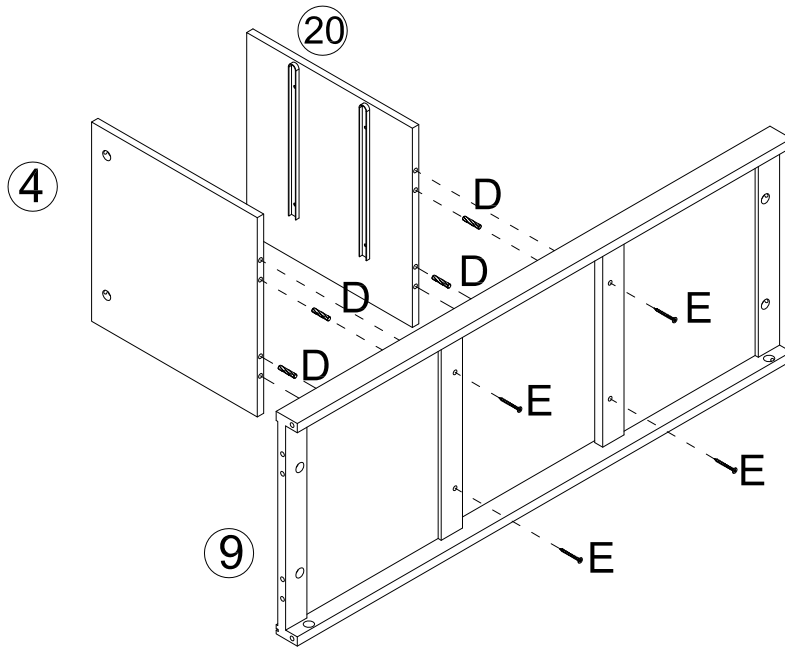
Step 1



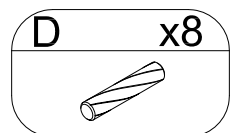
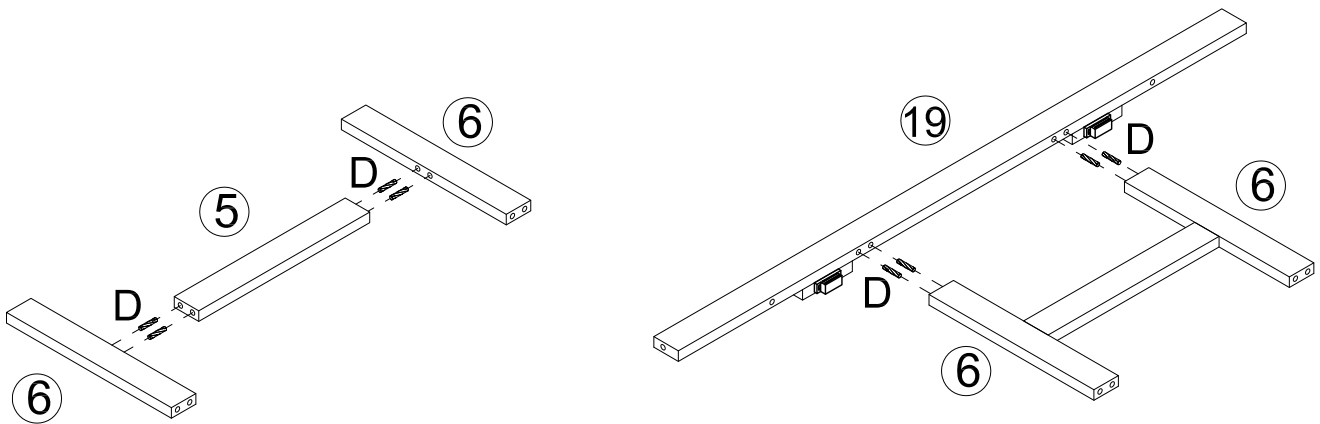
Step 2



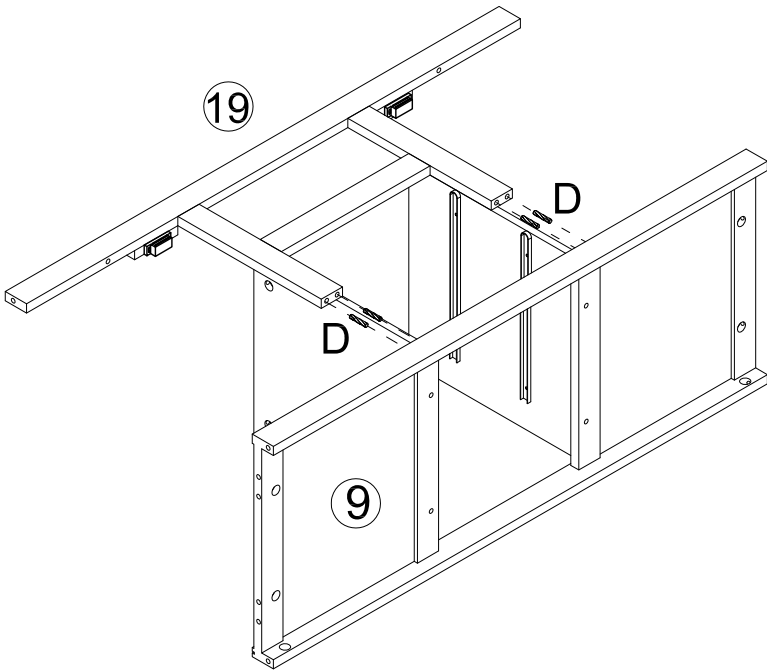
Step 3



Step 4

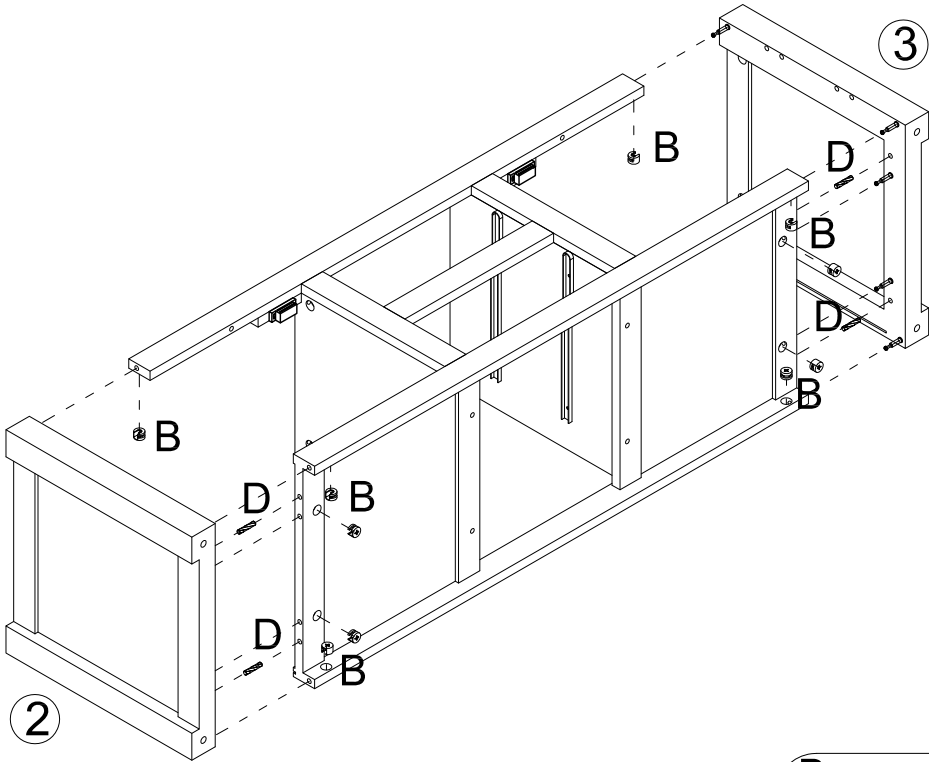


Step 5



D x4

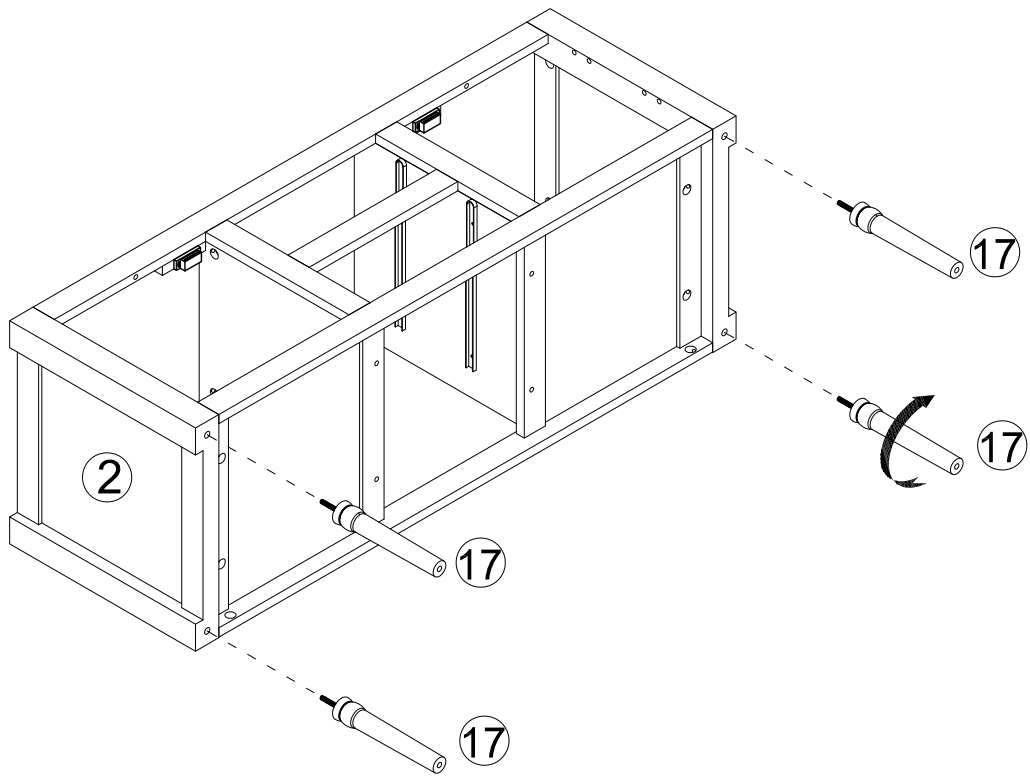
Step 6



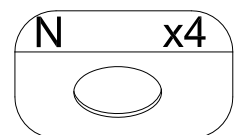
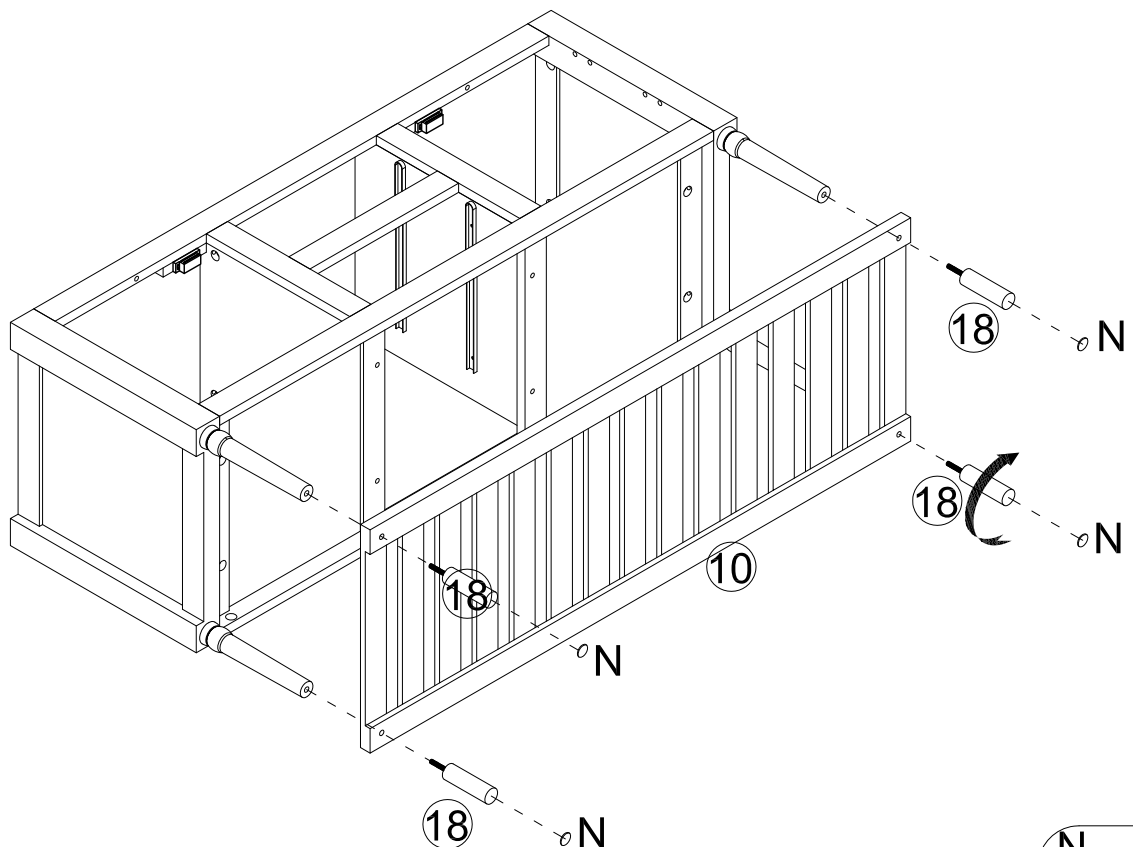
B x10

D x4

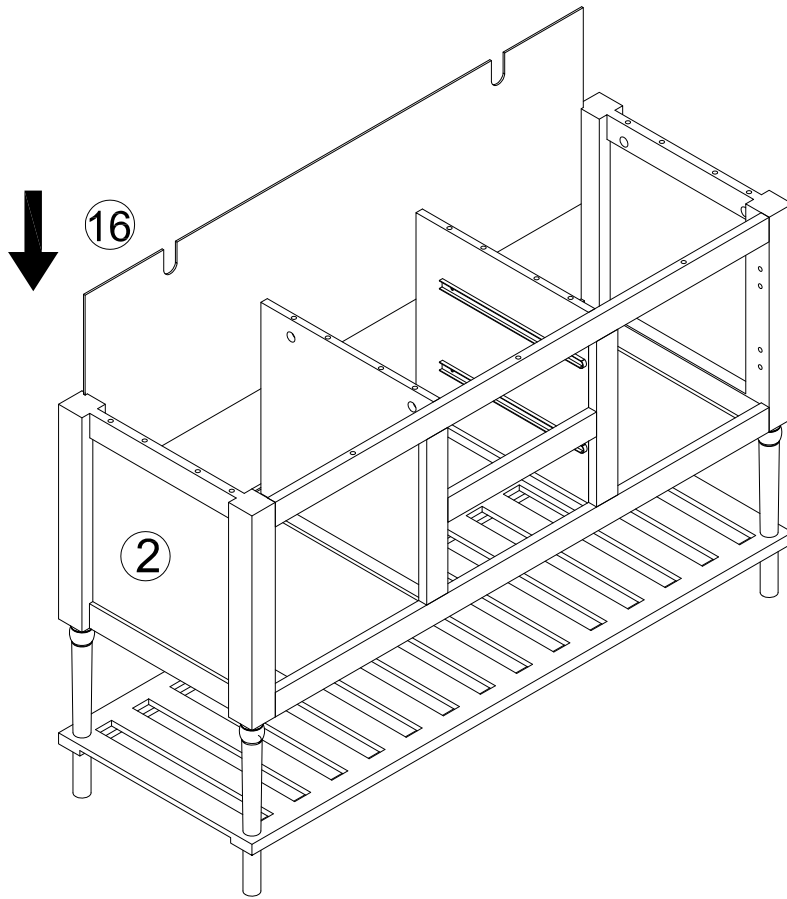
Step 7



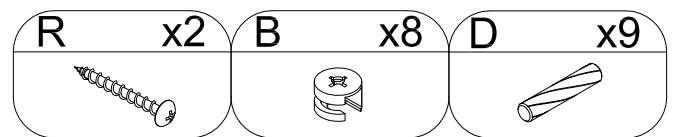
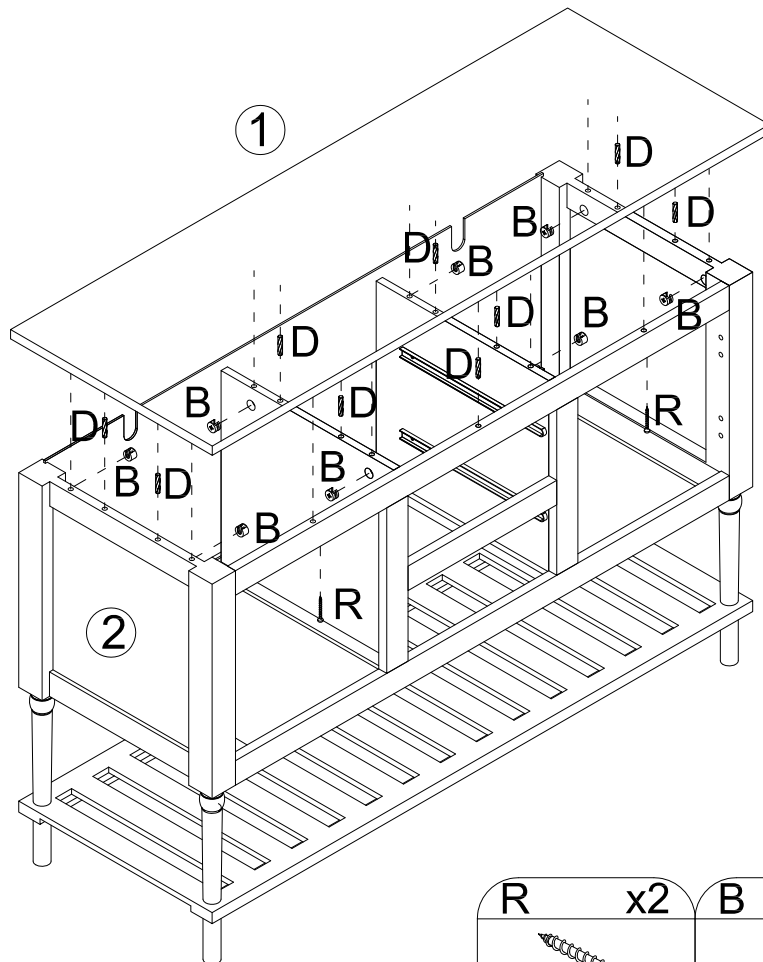
Step 8



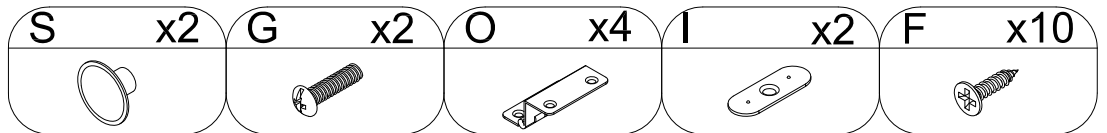
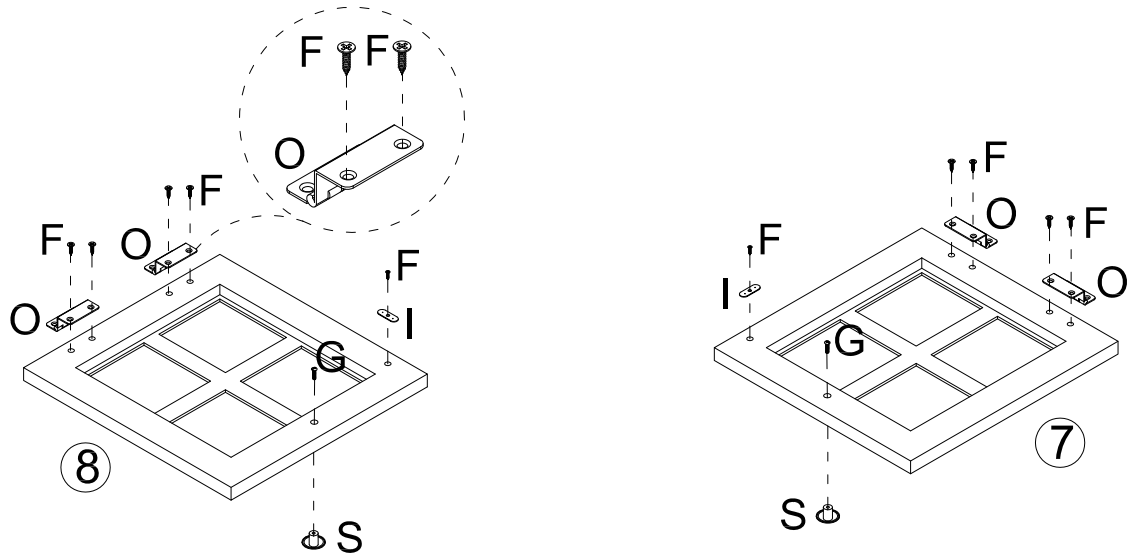
Step 9



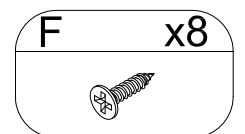
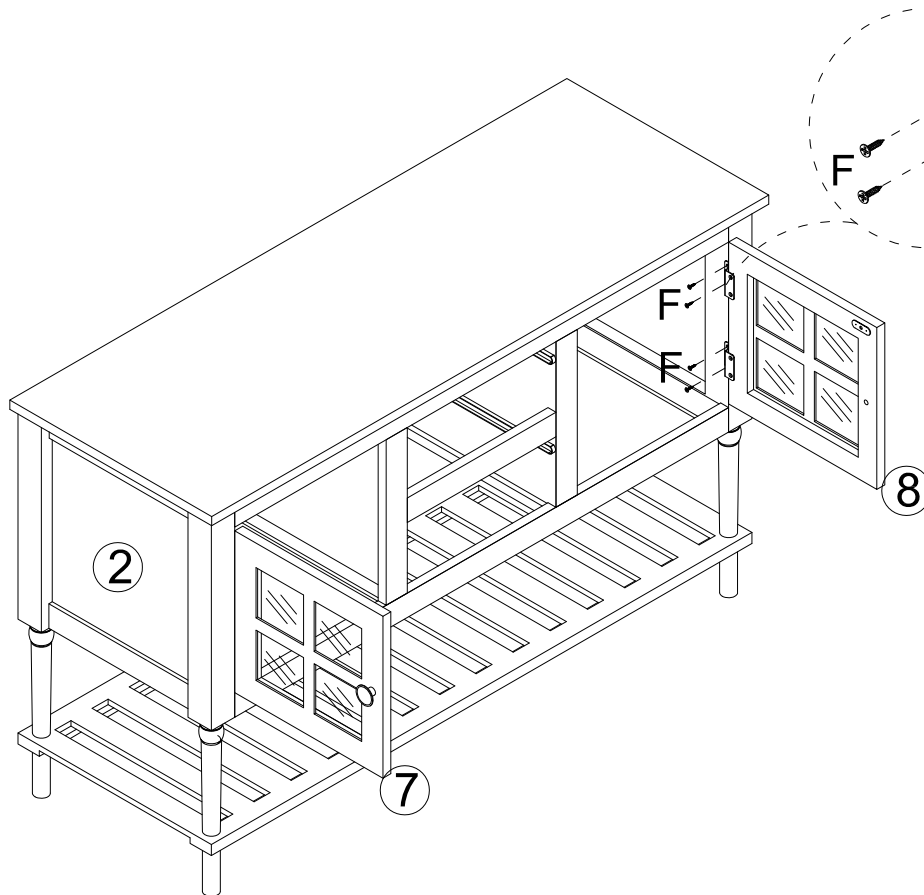
Step 10



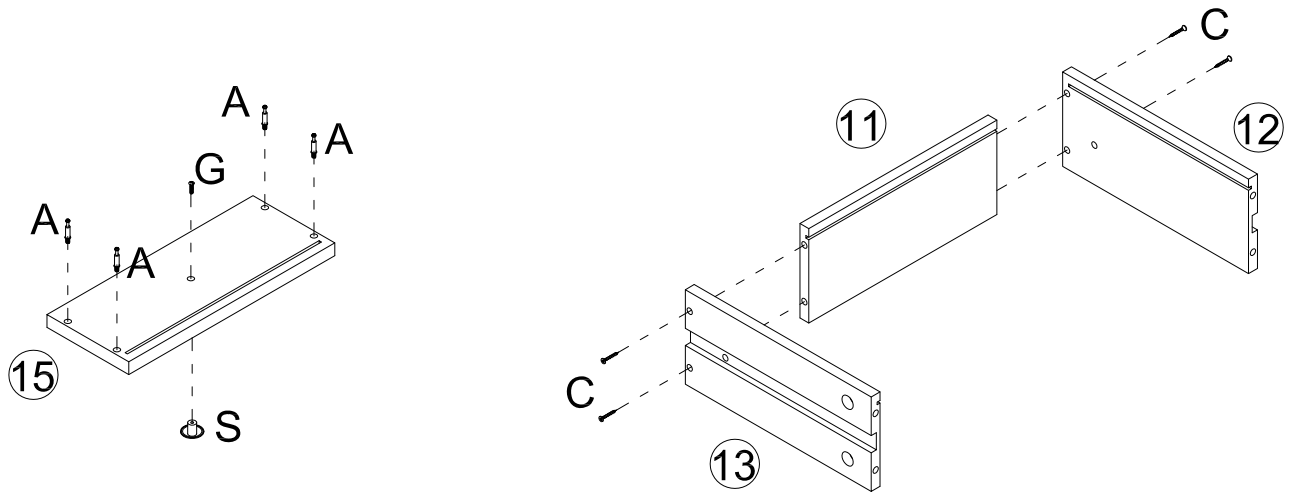
Step 11



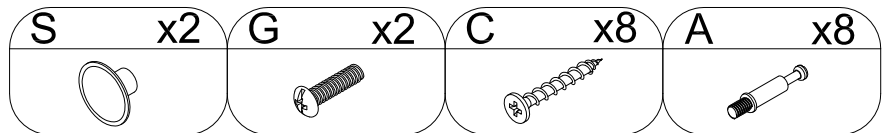
Step 12



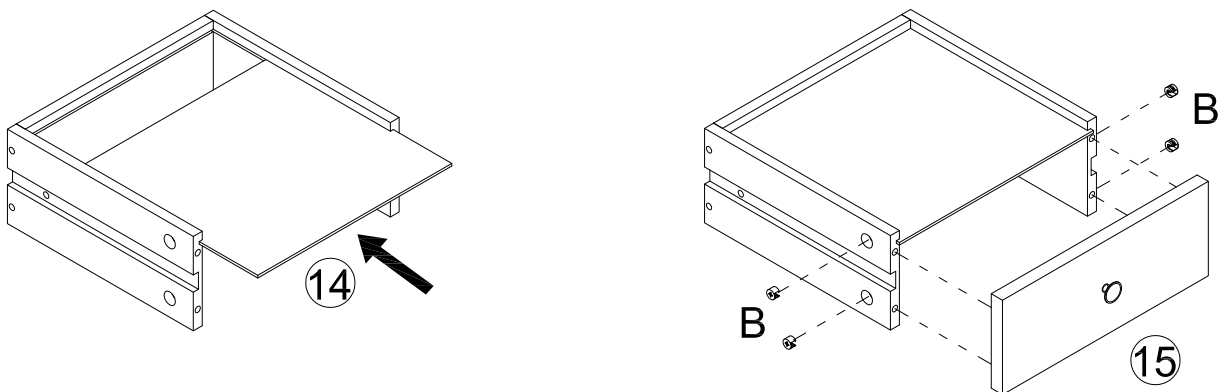
Step 13



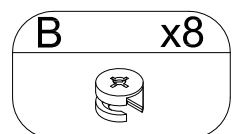
x2



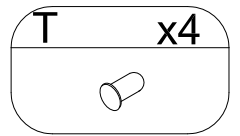
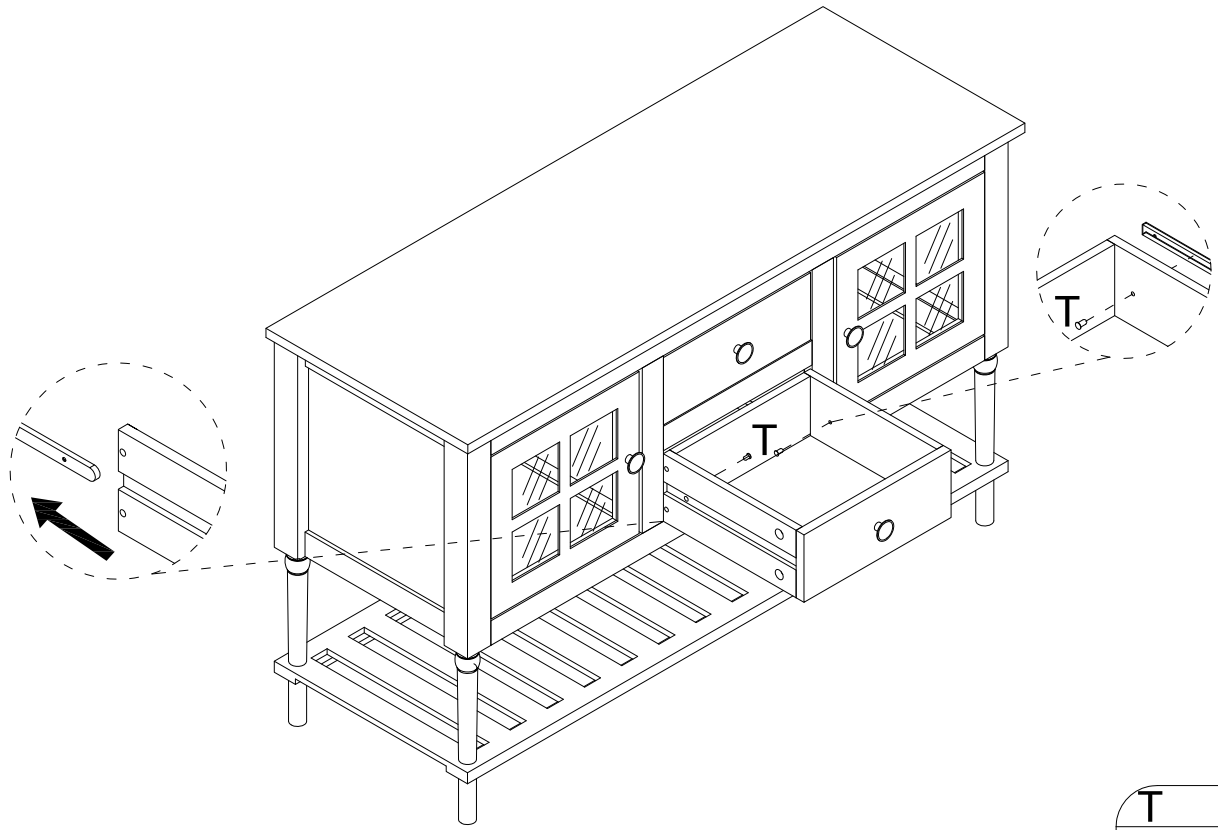
Step 14



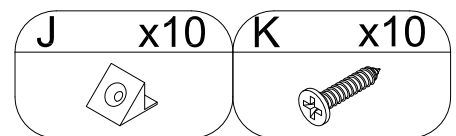
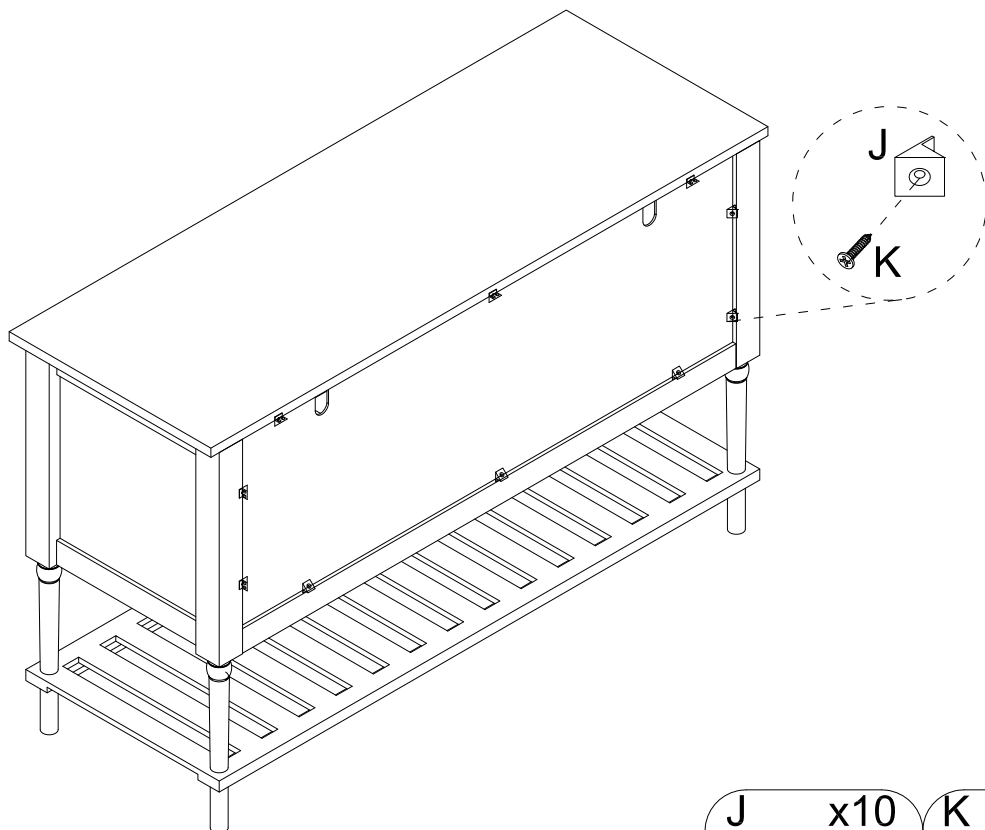
x2



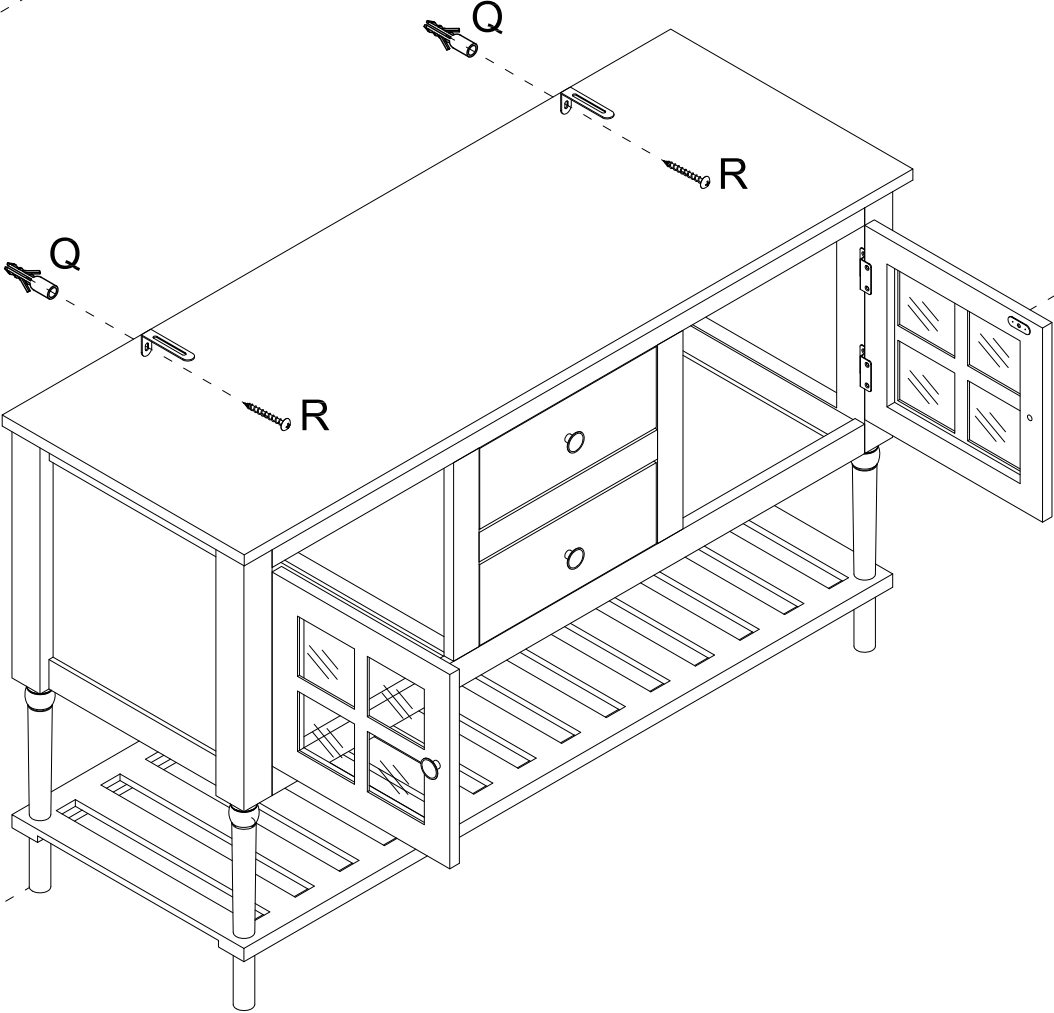
Step 15



Step 16



Step 17



Q	x2	R	x2
