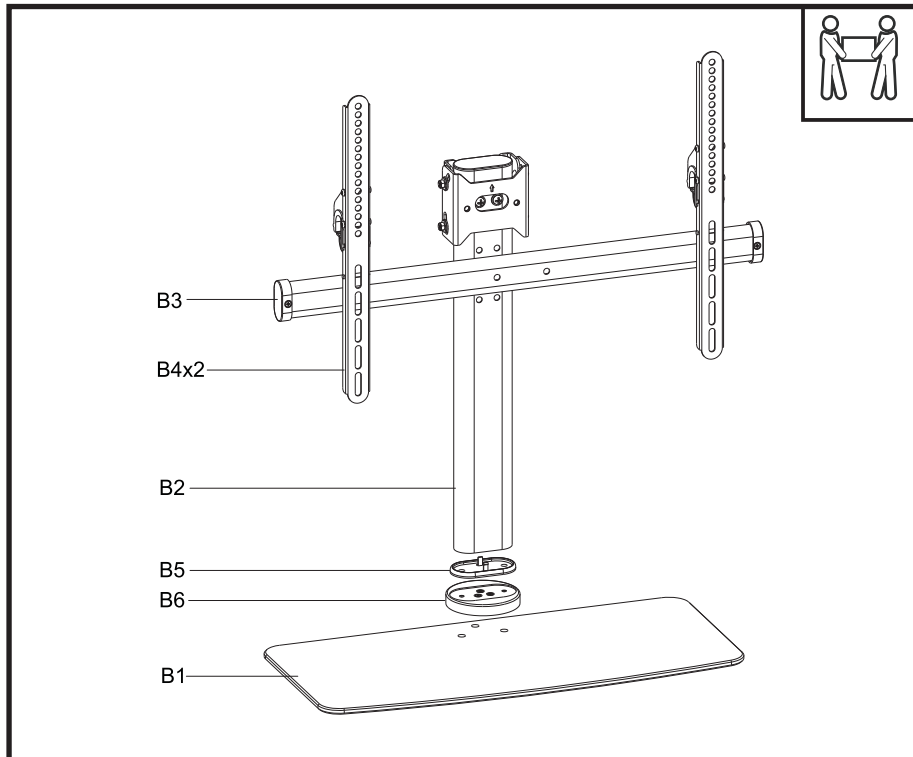


40kg  
(88lbs)  
RATED

# TV STANDS

ASSEMBLY INSTRUCTIONS



A1x4 	A2x3 	A3x3 	A4x2 
A5x3 	A6x4 	A7x2 	A8x2 
A9x2 	A10x1 	A11x1 	A12x2 
M5x14 (x4) M-A 	M6x14 (x4) M-B 	M6x30 (x4) M-C 	M8x30 (x4) M-D 
M8x50 (x4) M-E 	(x4) M-F 	(x8) M-G 	(x8) M-H 

