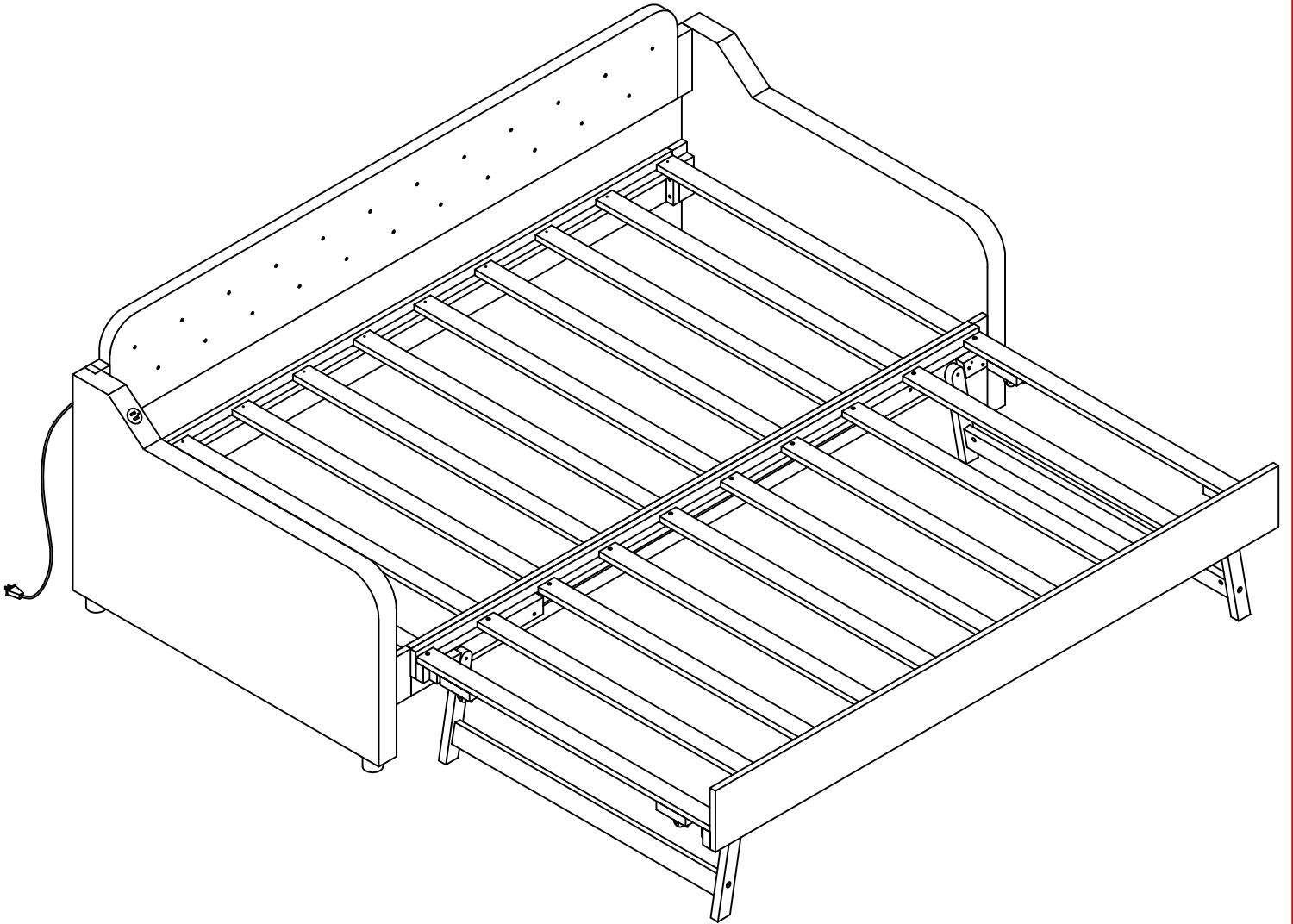
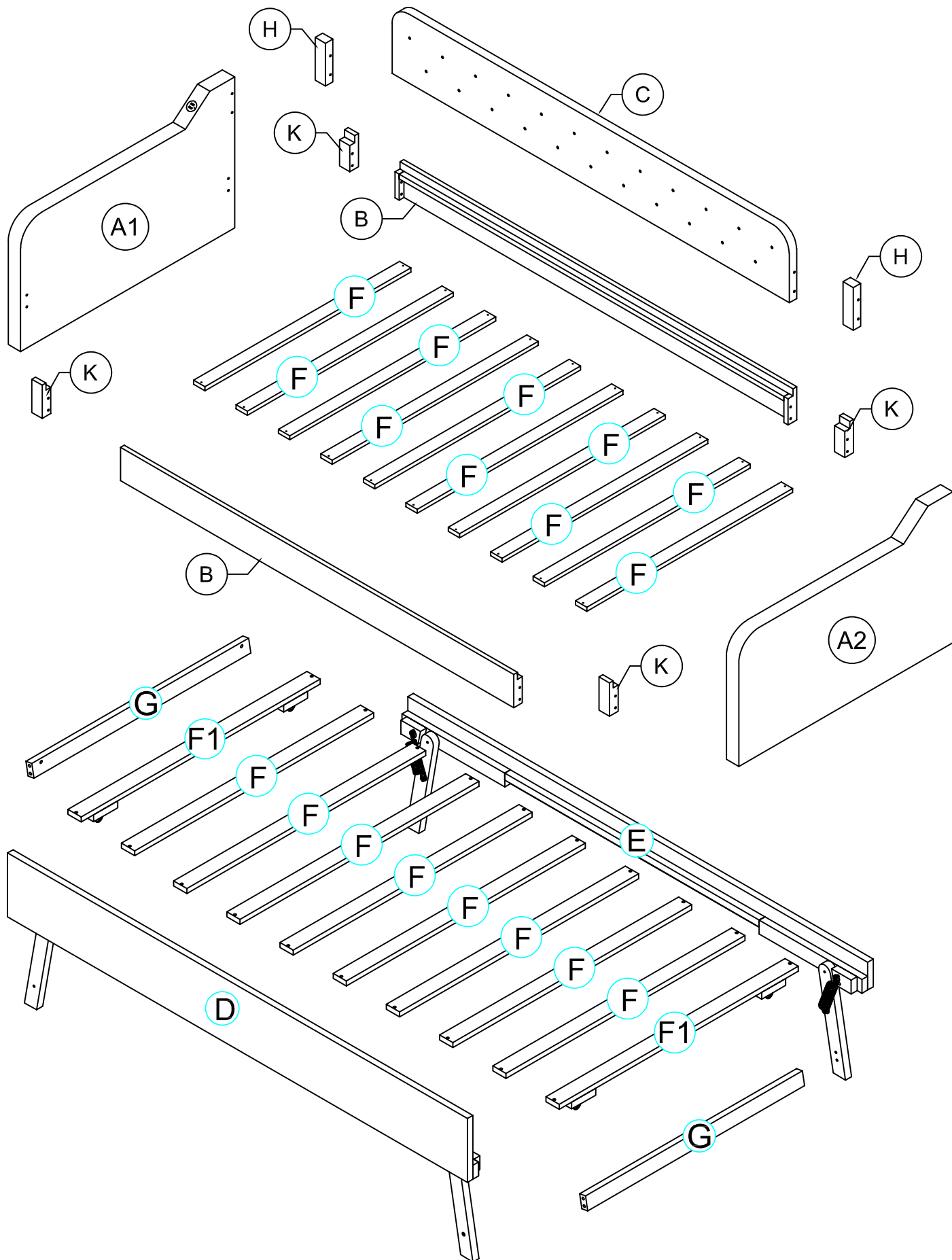


ASSEMBLY INSTRUCTION

SKU CODE: (WF325878/WF325879)

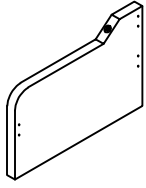


ASSEMBLY INSTRUCTION



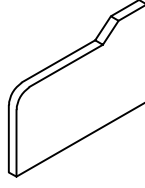
Part List (WF325878)

A1



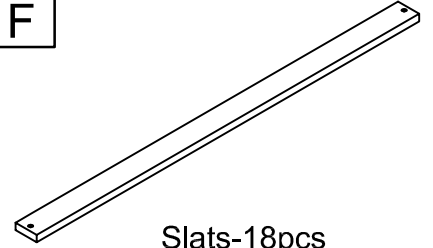
HeadBoard-1pcs

A2



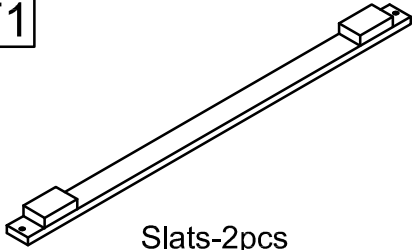
FootBoard-1pcs

F



Slats-18pcs

F1



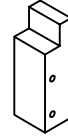
Slats-2pcs

H



Support bars - 2pcs

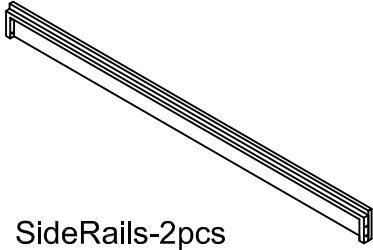
K



Support sides - 4pcs

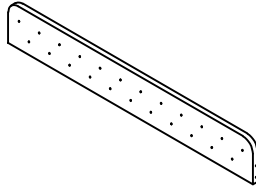
Part List (WF325879)

B



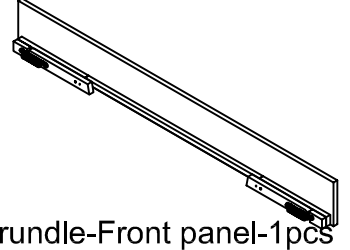
Side Rails-2pcs

C



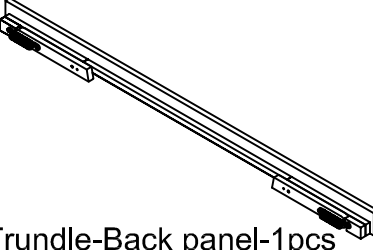
Back panel-1pcs

D



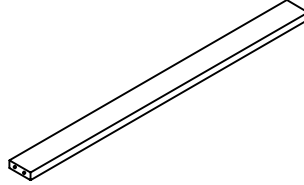
Trundle-Front panel-1pcs

E

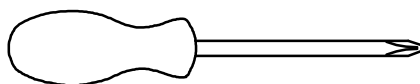


Trundle-Back panel-1pcs

G



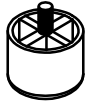
Bars - 2pcs



Assembly Tools Required (Not Included)

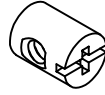
Hardware (WF325878)

1



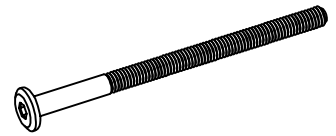
Plastic Feet(Ø50x40)
4pcs

2



Ø11.5 x 15 mm
Horizontal-Hole bolts 4pcs

3



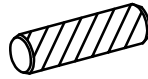
Ø1/4" x 100mm
Hex-Head bolts 12pcs

4



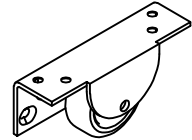
M4 x 30 mm
Wood Screws 48pcs

5



Ø10 x 30 mm
Wood dowel 4pcs

6



Wheels 4pcs

7



Allen Key 1pcs

8



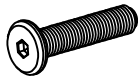
Steel Bracket
3pcs

9



M4 x 15 mm
Wood Screws 16pcs

10



Ø1/4" x 60mm
Hex-Head bolts 4pcs

11



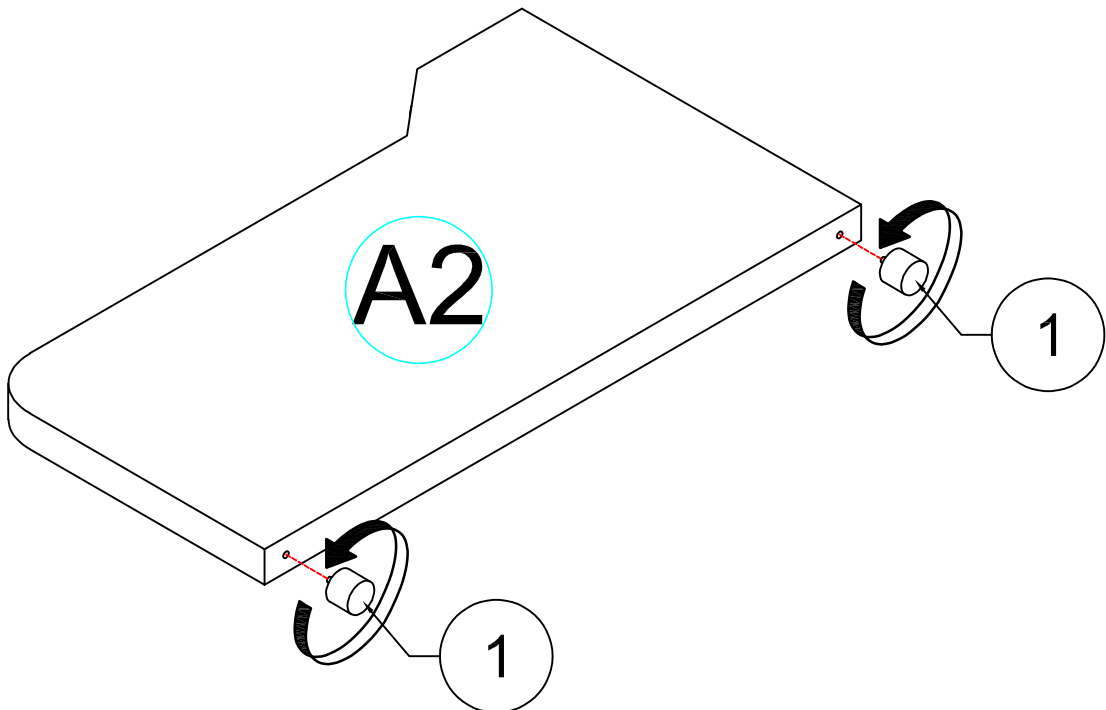
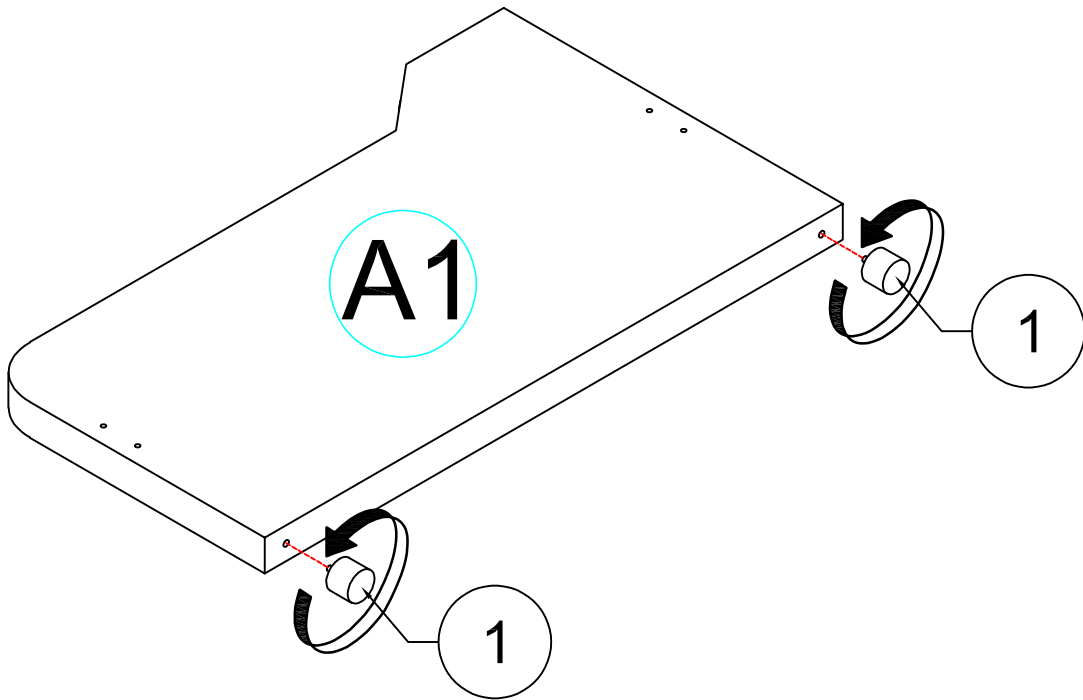
Plastic Drawer Stopper
4 pcs

STEP 1: Following below illustration.




1

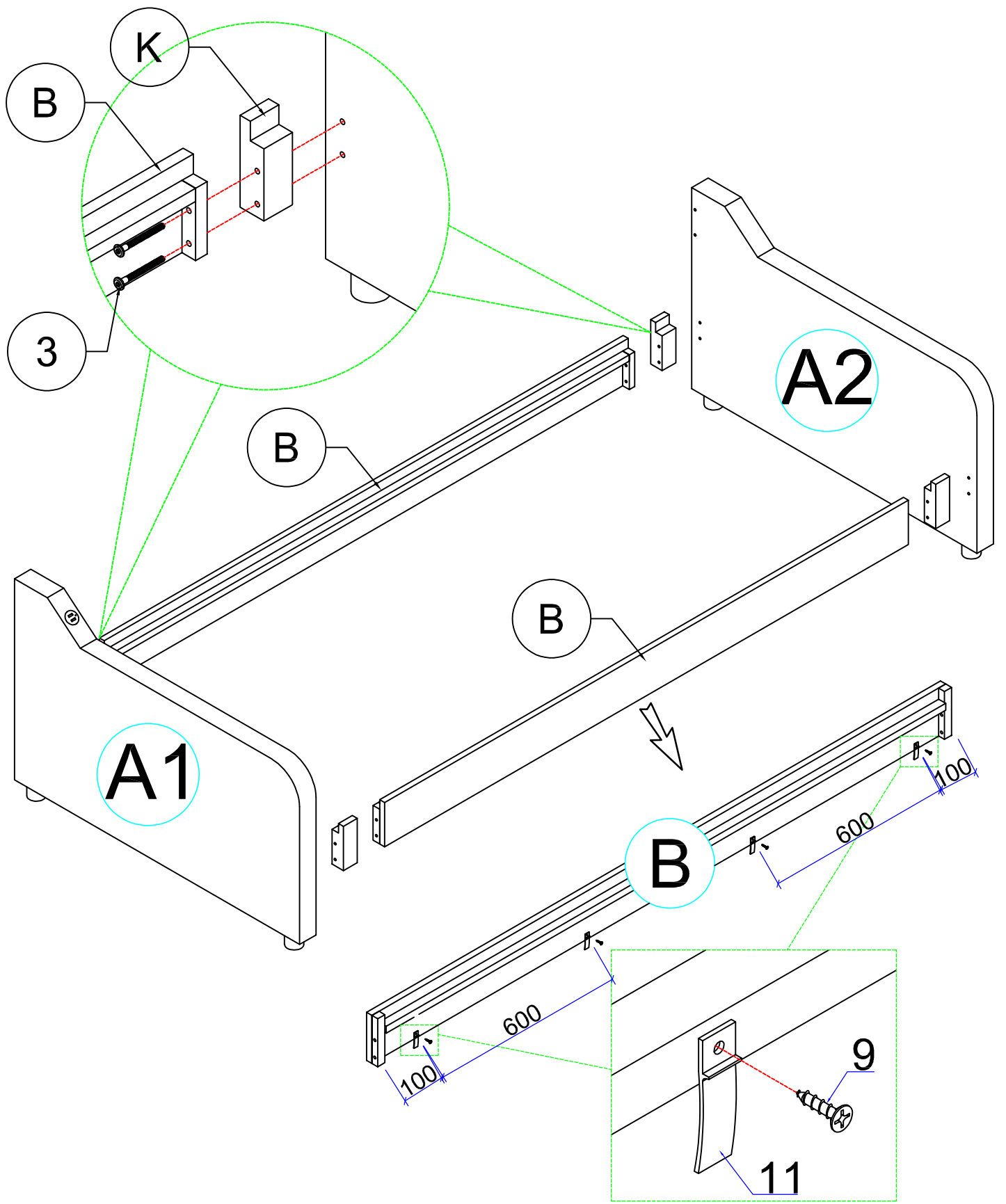


4pcs



STEP 2: Following below illustration.

3	9	11
		
8pcs	4pcs	4pcs

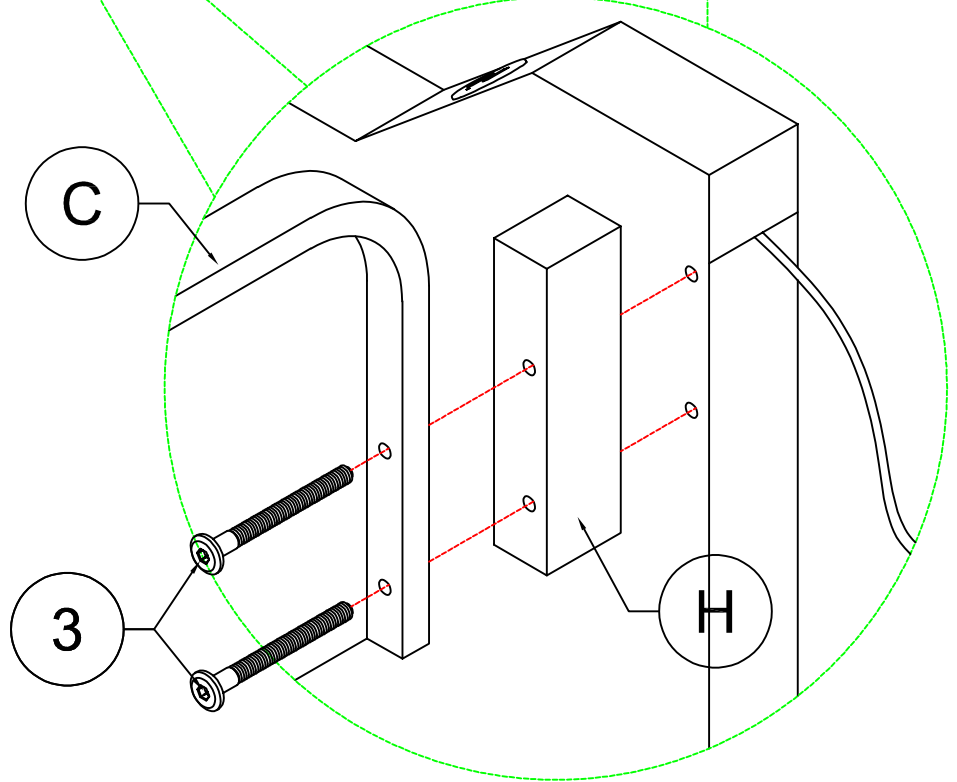
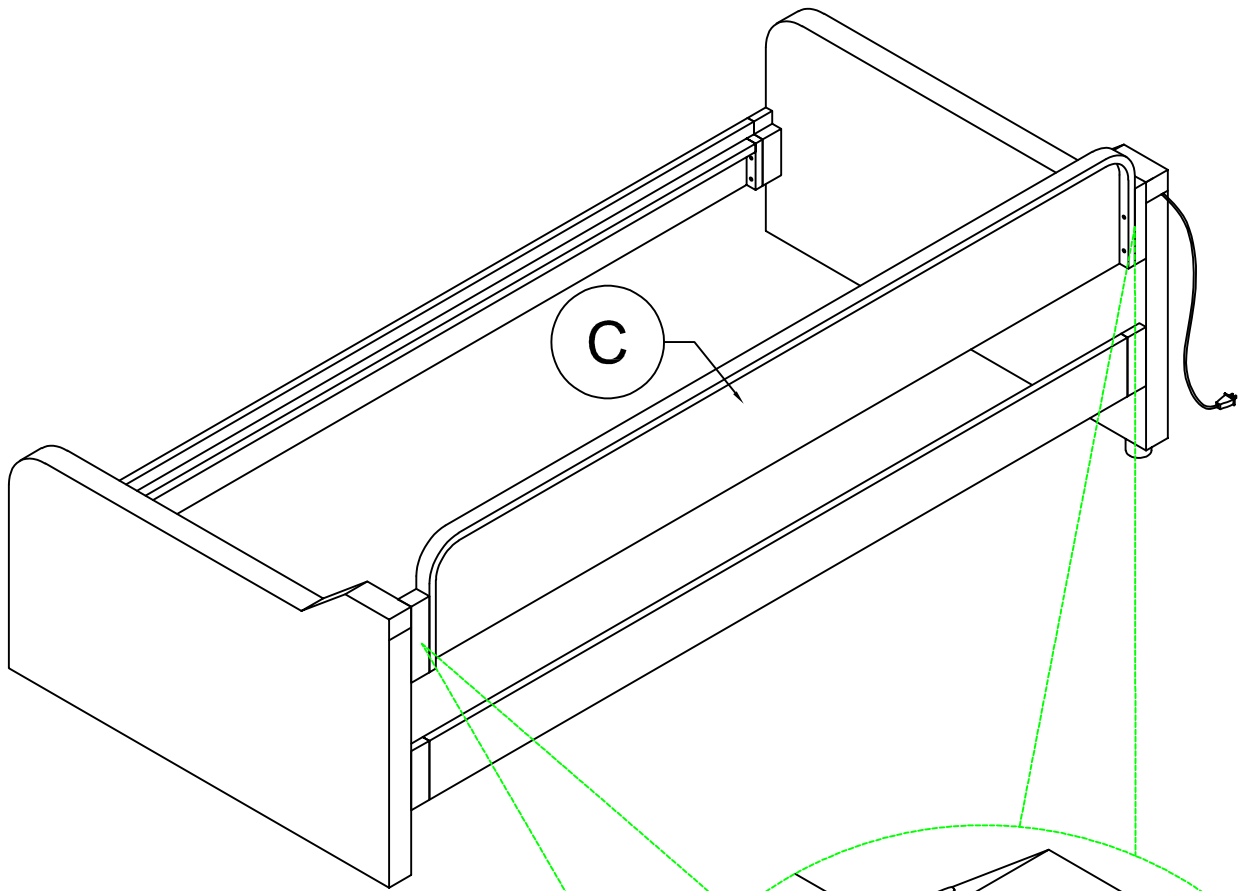


STEP 3: Following below illustration.

3



4pcs

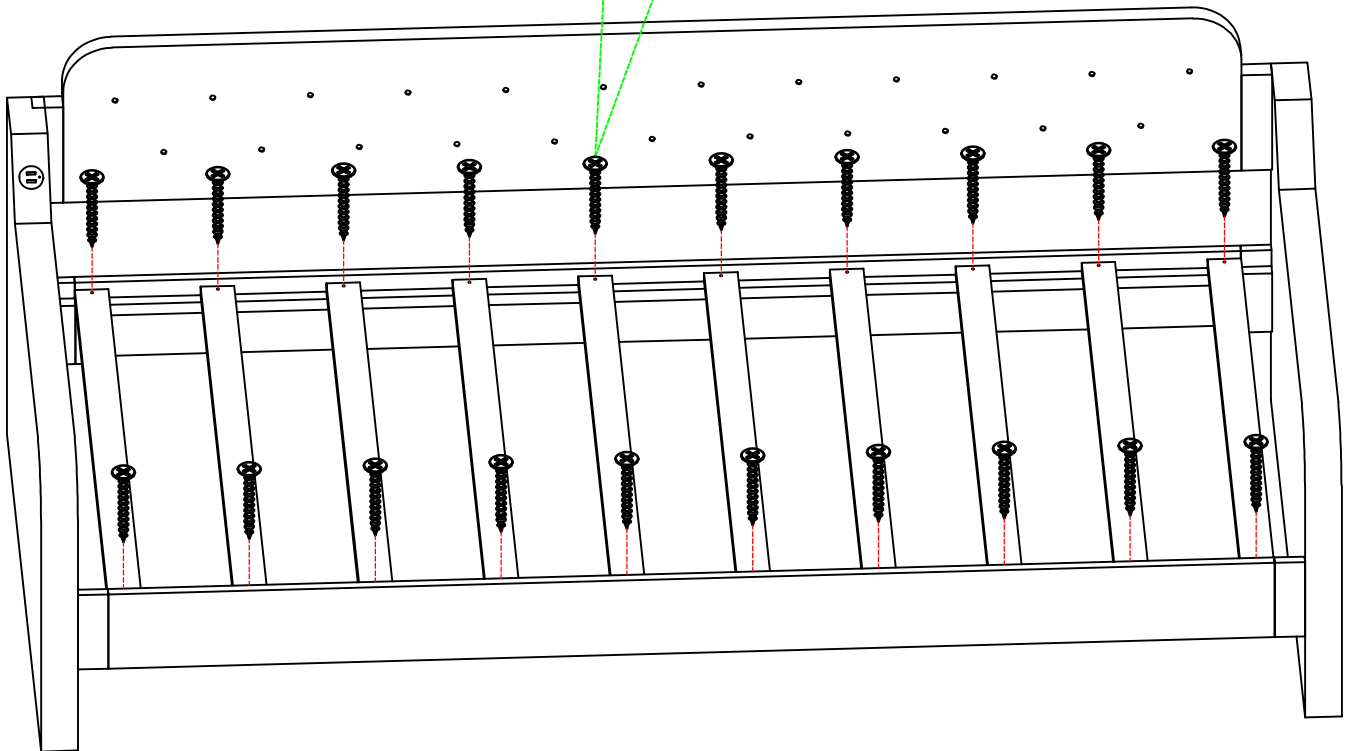
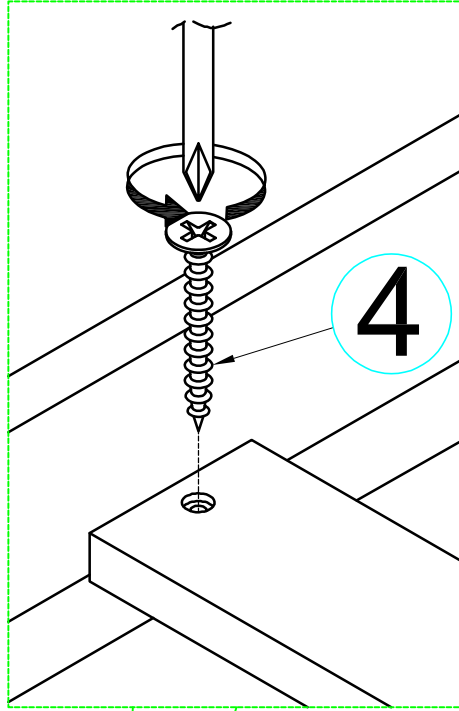


STEP 4: Following below illustration.

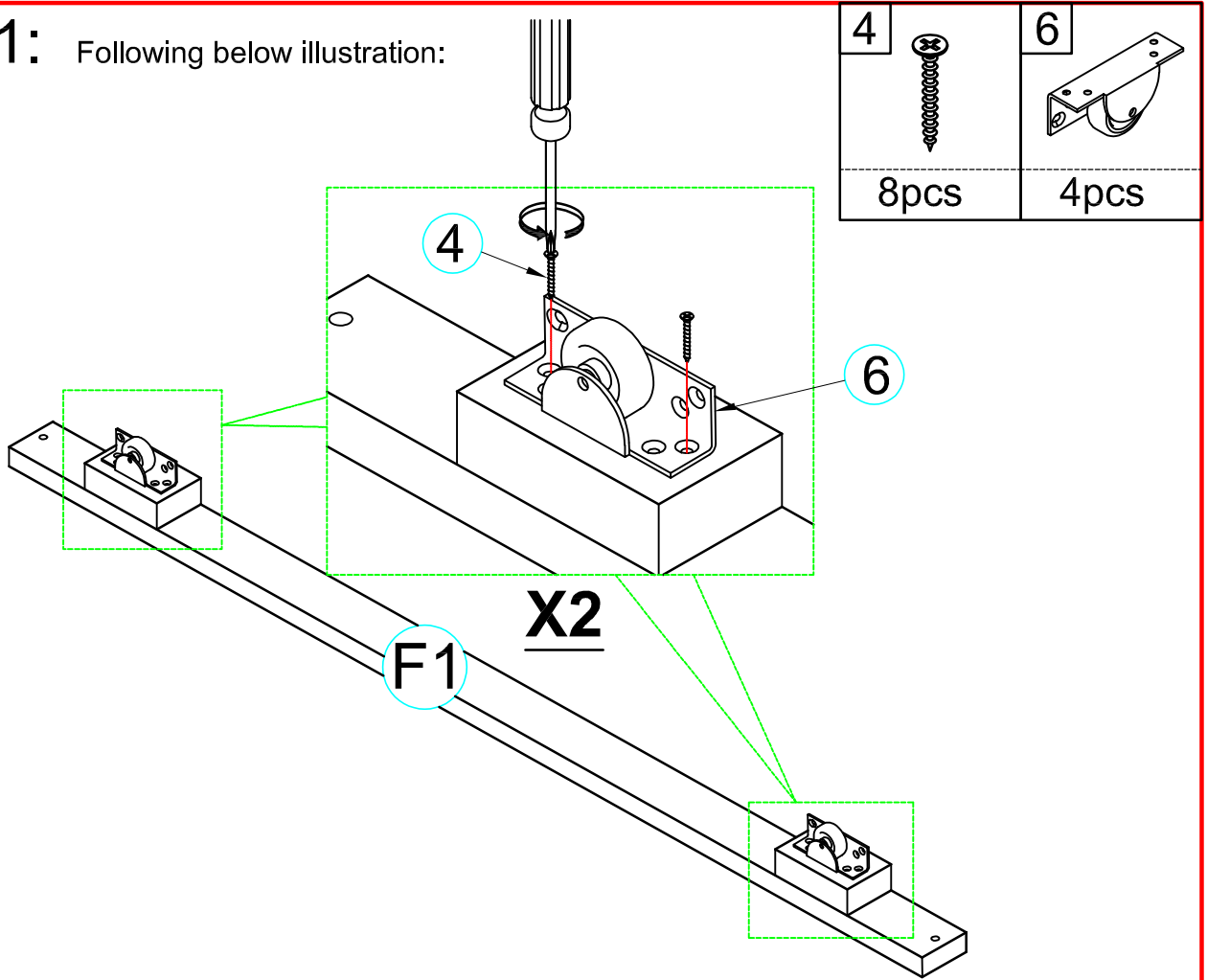
4



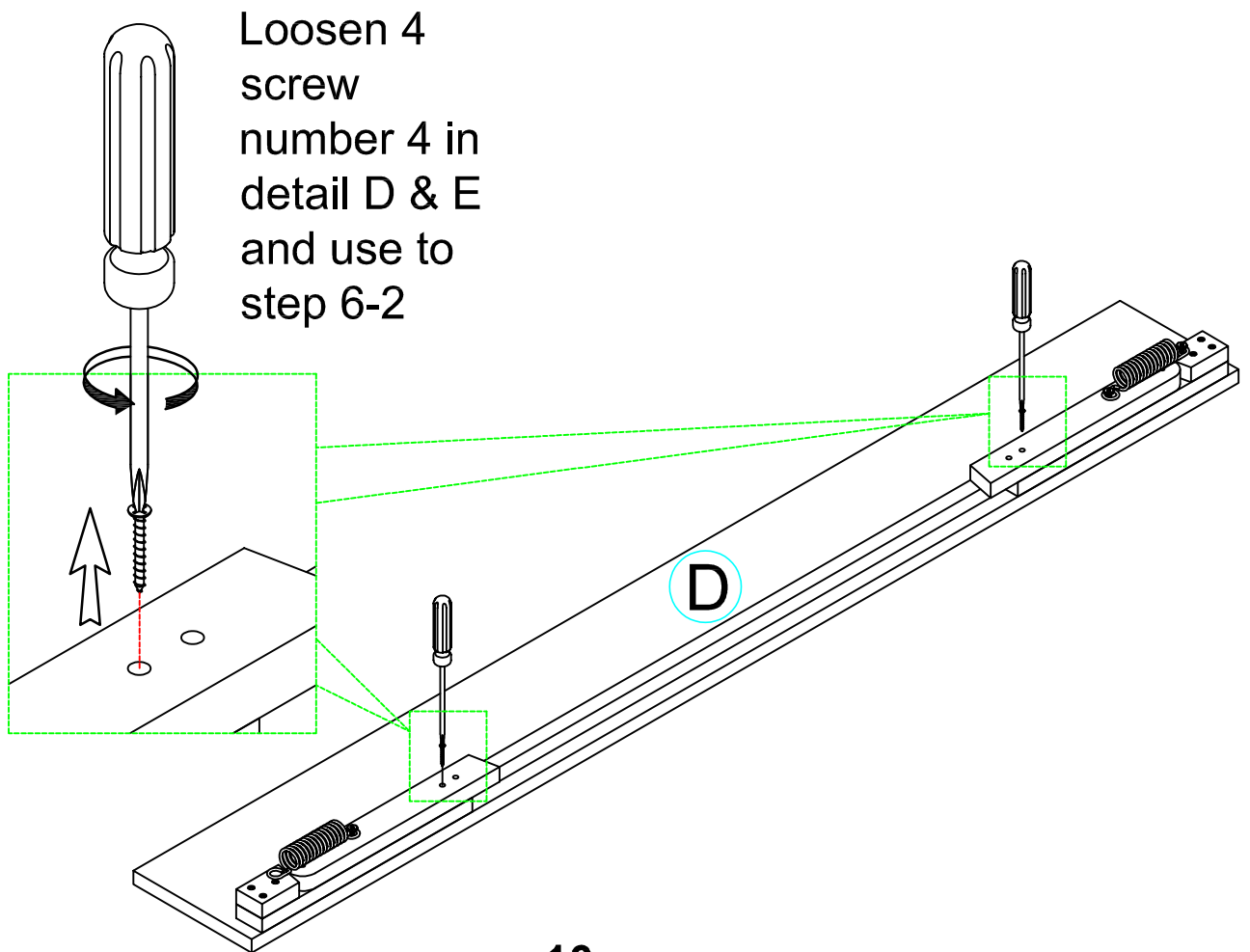
20pcs






STEP 5-1: Following below illustration:

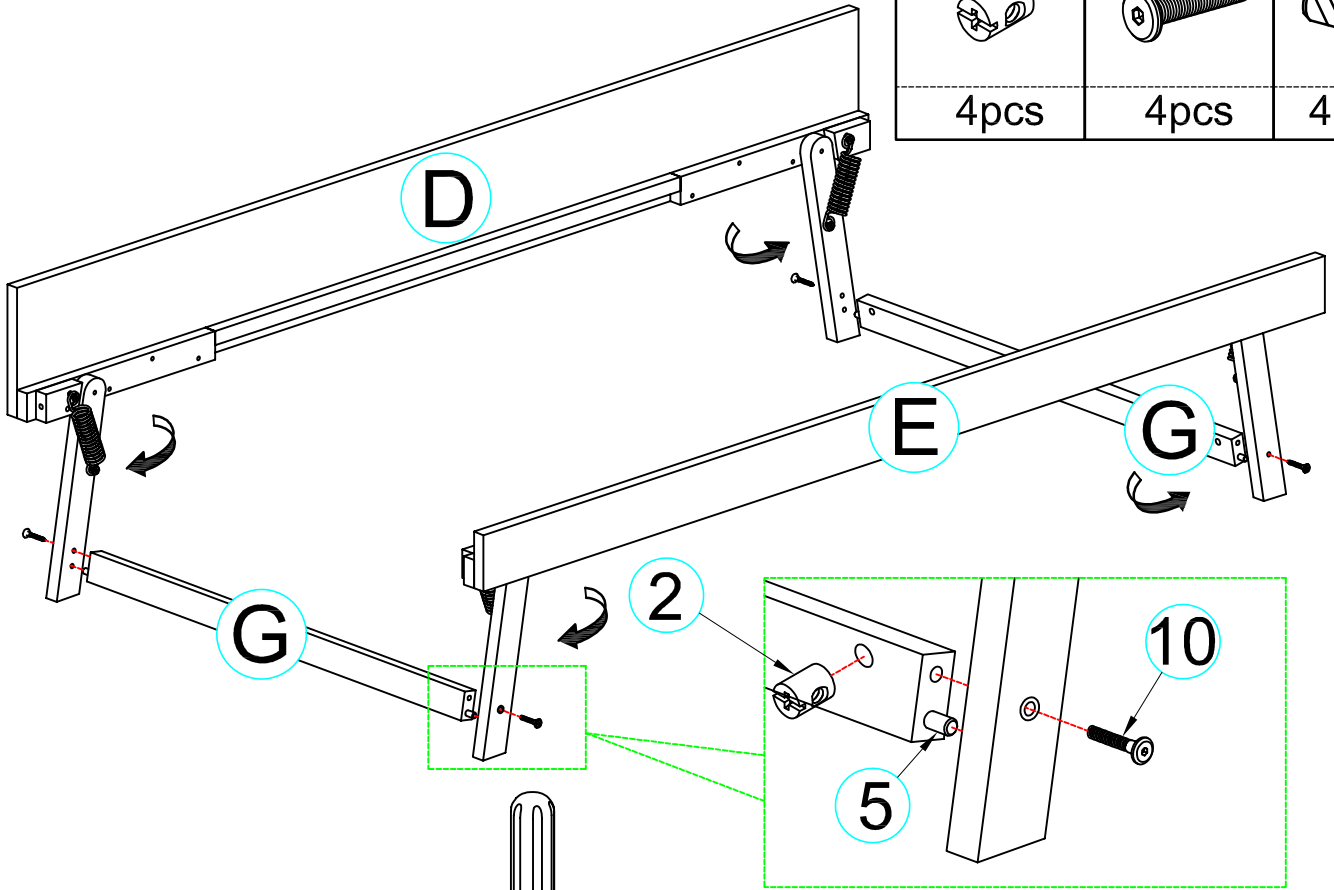


STEP 5-2: Loosen a screw number 4 and keep for step 6



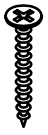
STEP 6-1: Following below illustration:

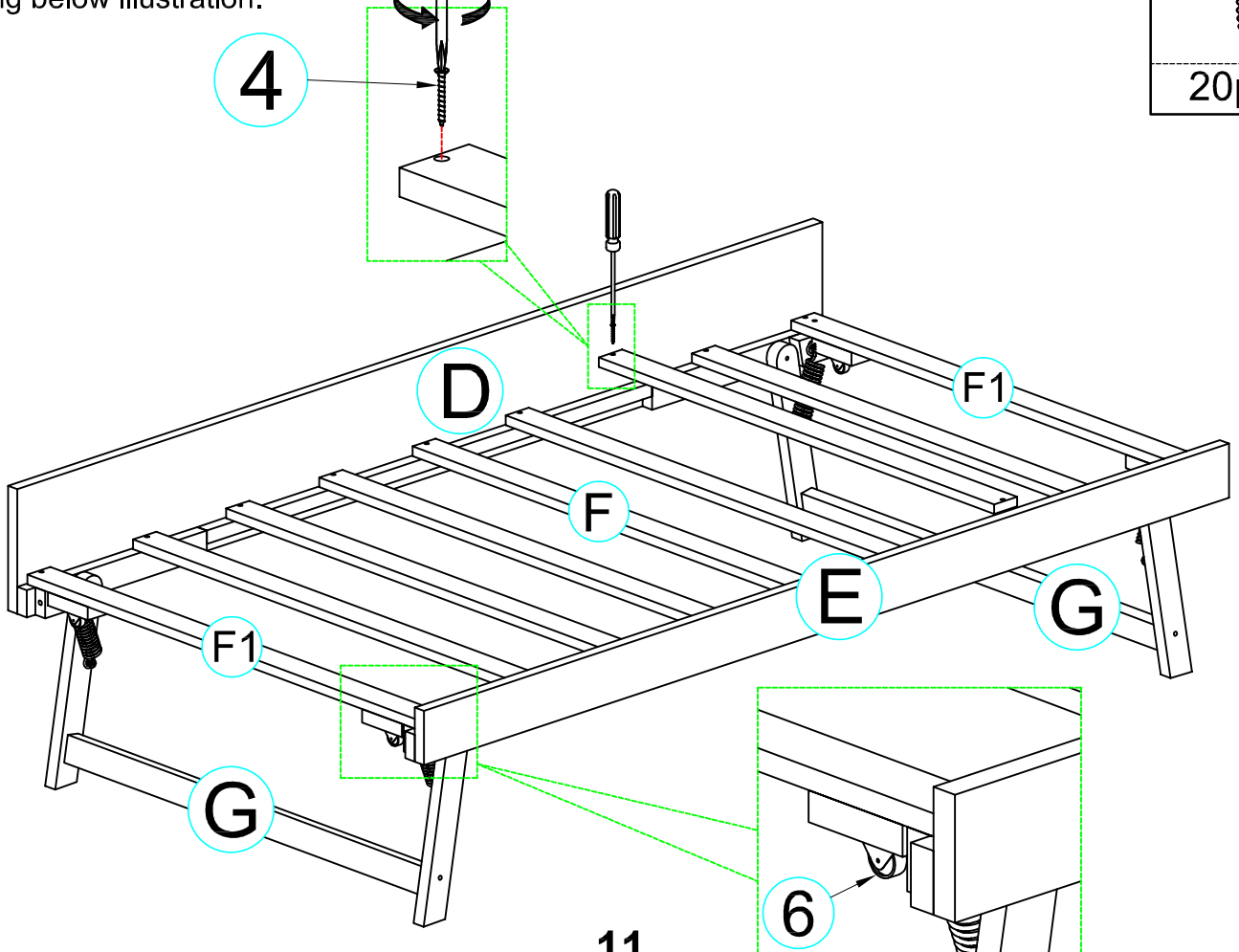
2	10	5
		
4pcs	4pcs	4pcs





STEP 6-2:

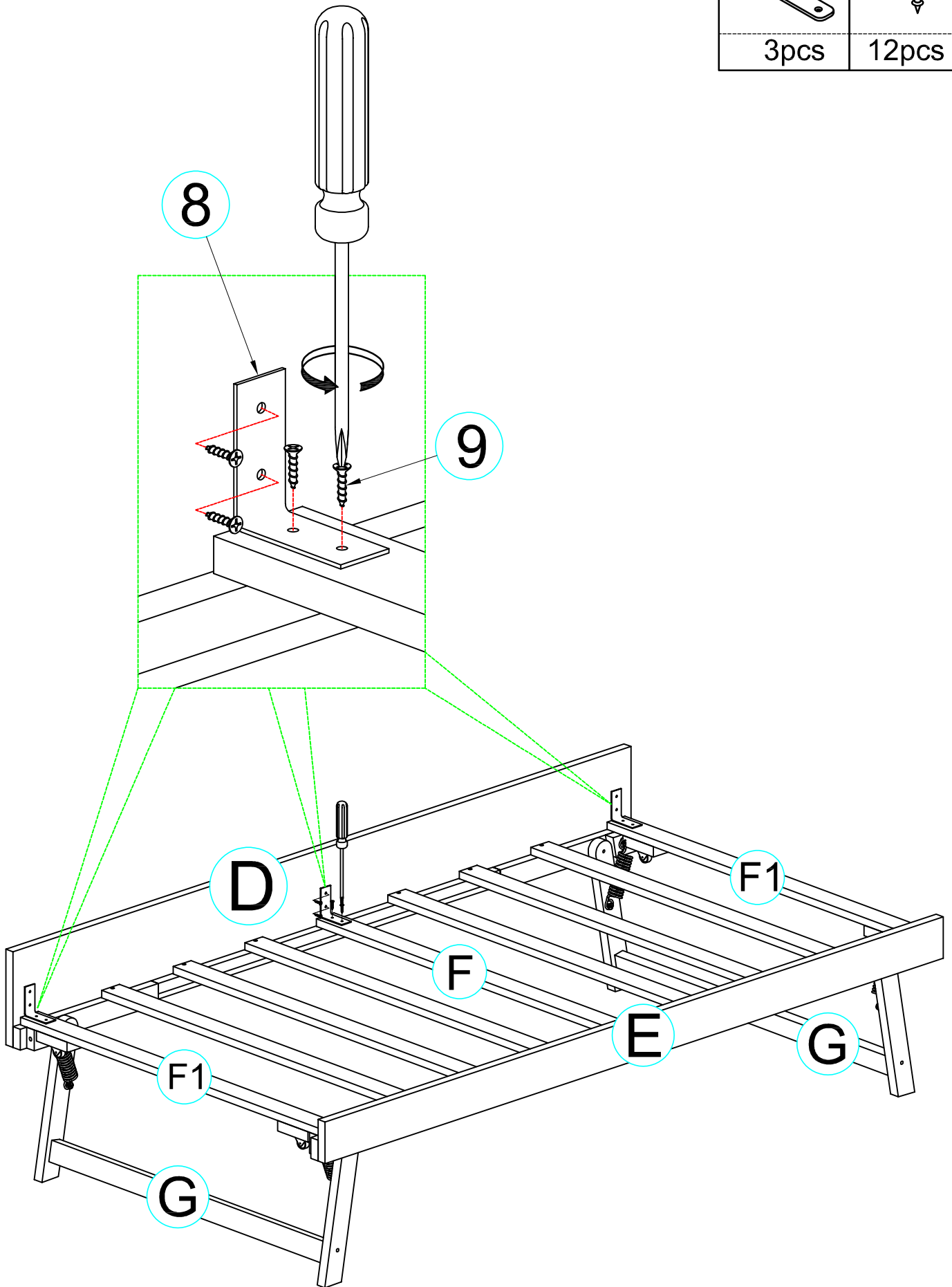
Following below illustration:

4	
20pcs	



STEP 7: Following below illustration:

8		9	
	3pcs		12pcs



FINISH

