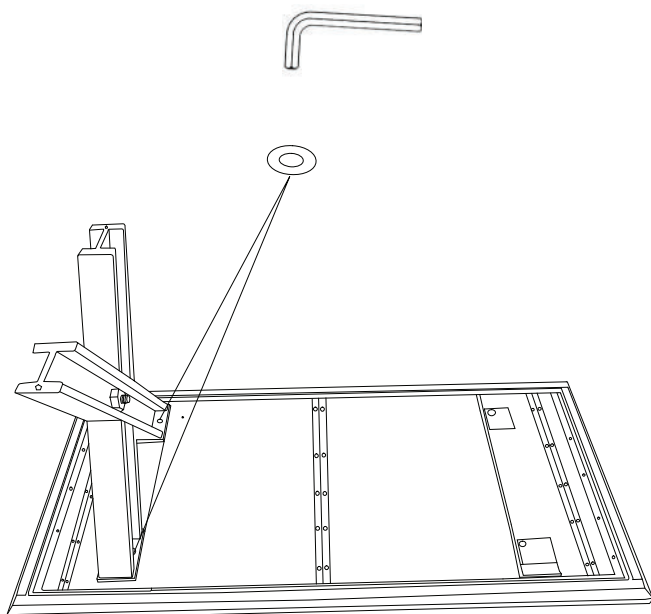
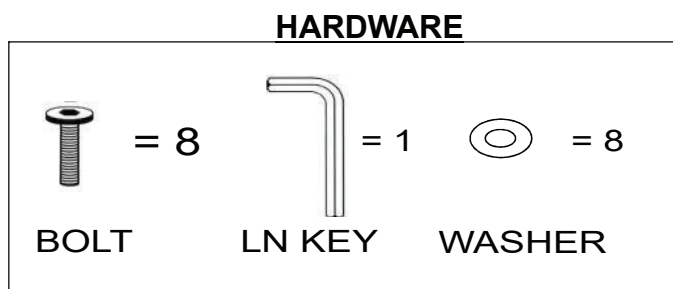
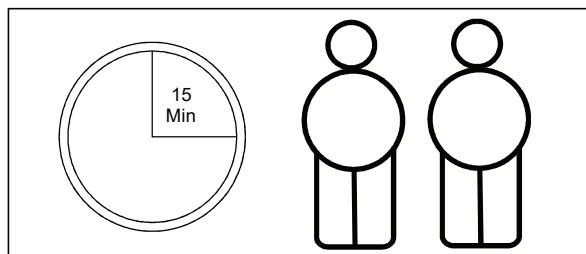
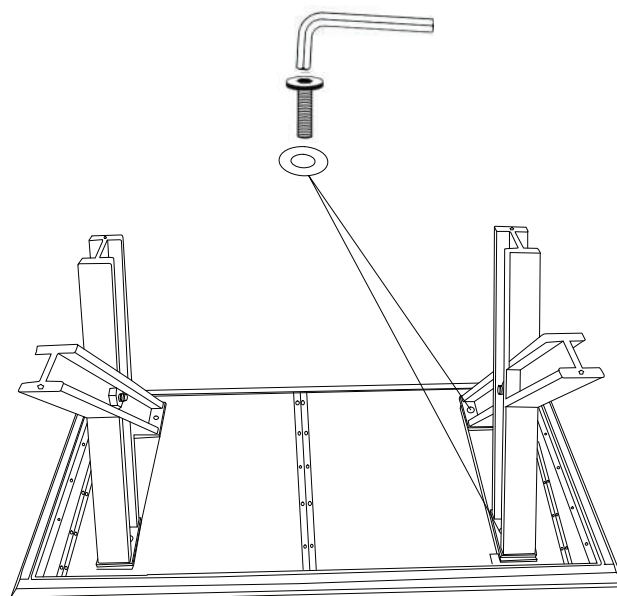


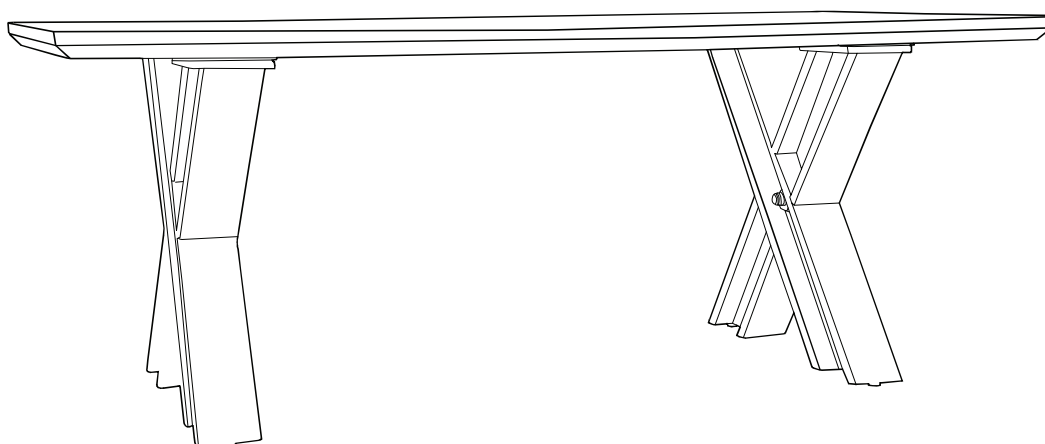
Art. Nr. 65052-180



STEP 1



STEP 2



ASSEMBLED PRODUCT