

# Assembly Instruction

SKU:WF314683

SKU:WF314684

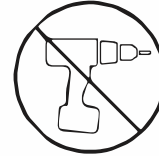


# Safety and Care Advice

---

## **IMPORTANT, RETAIN FOR FUTURE REFERENCE: READ CAREFULLY.**

- Keep children and animals away from the work area, small parts could choke if swallowed.
- Make sure you have enough space to layout the parts before starting.
- This product has been constructed to be used in the domestic environment only and not for commercial purposes.
- Assemble the item as close to its final position (in the same room) as possible.
- Assemble on a soft level surface to avoid damaging the unit or your floor.



- We do not recommend the use of power drill/drivers for inserting screws as this could damage the unit. Only use hand screwdrivers.
- Parts of the assembly will be easier with 2 people.
- Dispose of all packaging carefully and responsibly.

## **Care and maintenance**

---

- Only clean using a damp cloth and mild detergent. Do not use abrasive cleaners.
- Use a dry cloth to clean the product, furniture polish is not recommended.
- From time to time check that there are no loose screws, nuts or bolts. If there are please re-tighten.
- This product should not be discarded with household waste. Take to your local authority waste disposal centre.

## **Additional Guidance**

---

- Assemble all parts and bolts loosely during assembly, only once the product is complete should you fully tighten the bolts.
- Regularly check and ensure that all bolts and fittings are tightened properly.
- **WARNING** This high bed is not suitable for children under six years, due to the risk of injury from falls.
- **WARNING** "Bunk beds and high beds can present a serious risk of injury from strangulation if not used correctly. Never attach or hang items to any part of the bunk bed that are not designed to be used with the bed, for example, but not limited to ropes, strings, cords, hooks, belts and bags"
- **WARNING** "Children can become trapped between the bed and the wall, a roof pitch, the ceiling, adjoining pieces of furniture (e.g. cupboards) and the like. To avoid risk of serious injury the distance between the top safety barrier and the adjoining structure shall not exceed 75 mm or shall be more than 230 mm";
- **WARNING** Do not use the bunk bed/high bed if any structural part is broken or missing;
- The recommended size of the mattress to be used with the upper bed is 2000mm x 900mm, Maximum mattress thickness:100mm;
- Mattresses must be aired to maintain a low humidity and to stop moisture building up in the bed and its surroundings;
- The fastenings put in place on assembly should all be properly tightened and regularly checked. Re-tighten the fastenings as necessary;
- This complies with the requirements of the European Safety Standard EN 747-1 & -2: 2012 +A1 :2015.



# Safety and Care Advice

## Additional Guidance

- Do not allow more than 1 person on the upper bunk at one time.
- Do not use substitute parts. Contact your retailer for replacement parts.
- Assembly to be carried out by a competent adult only.
- During assembly children should be kept away from the product due to possible risk of injury.
- Do not use this item if any components are missing or damaged.
- This product is suitable for children in the age range of children for which the product is 7 – 12 years.
- The maximum child weight or load for this the product is 200 Lbs / 91 Kgs.
- Bed must be aired to maintain a low humidity and to stop moisture in its surroundings.
- No bolts used in this bed
- Regularly check all fastenings to ensure that they properly tightened.
- Always follow the manufacturer' s instructions

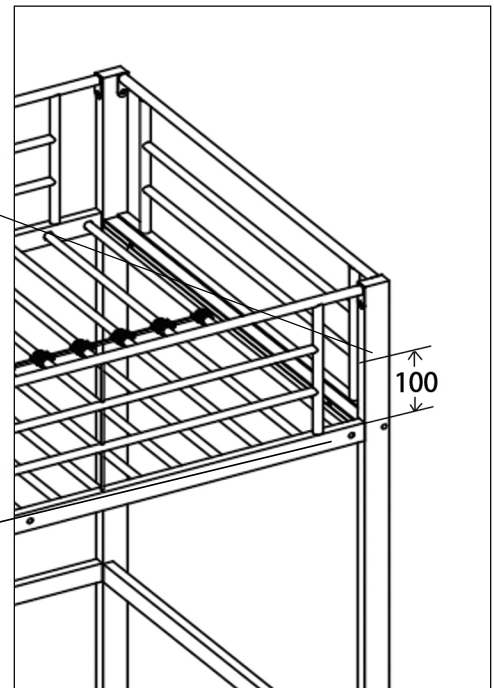


Important: Please note the maximum mattress height is indicated on the vertical bar on the left hand side of the bedposts

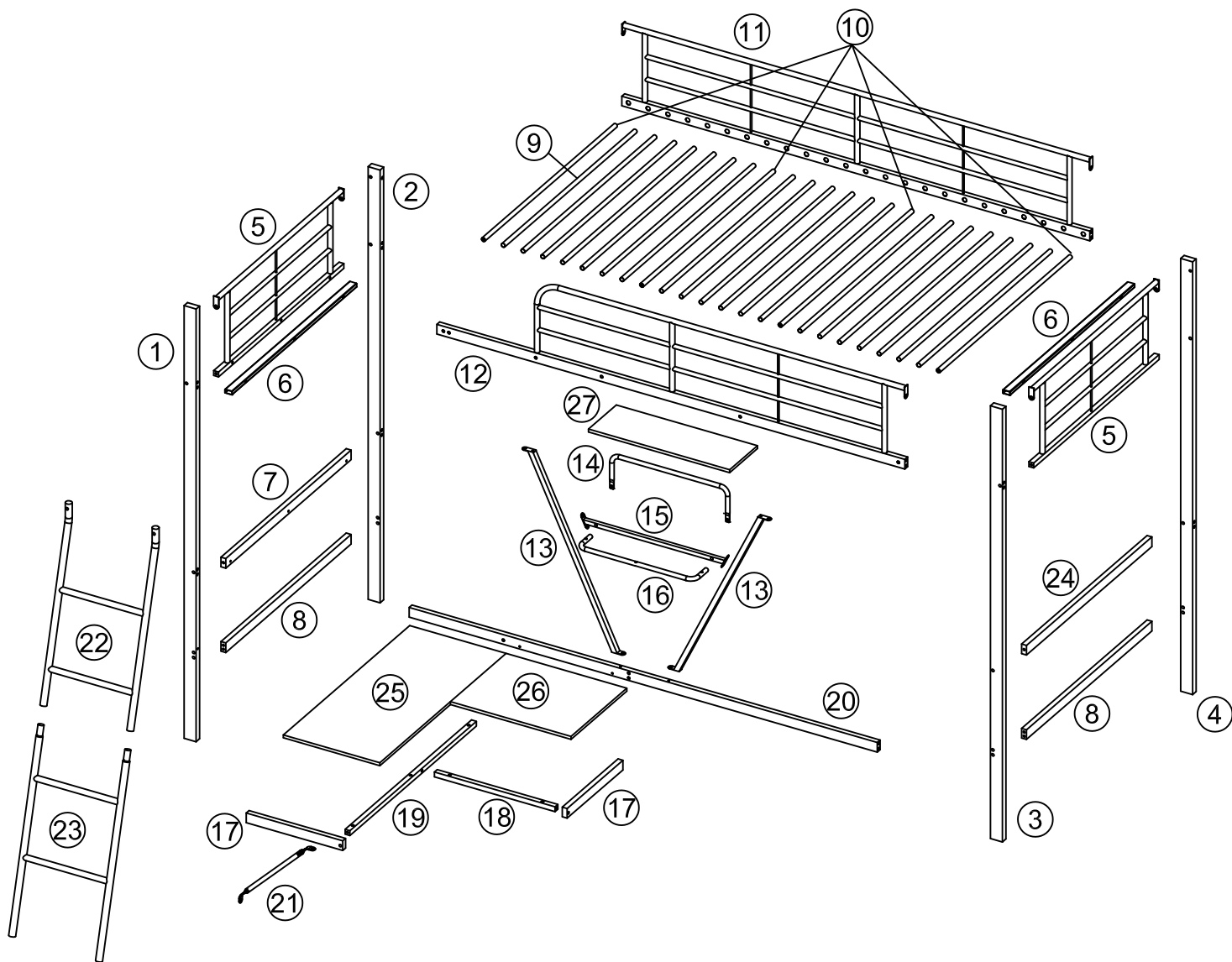
This is legal requirement and it is vital that the mattress do not exceed this mark.

Note: The maximum thickness of the mattress is 100 mm.

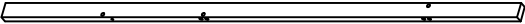

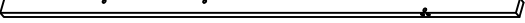

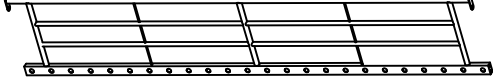
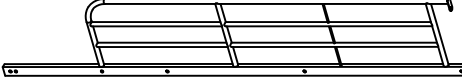
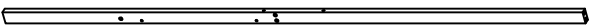
This bunk bed conforms to EN 747-1 & -2: 2012 +A1:2015



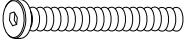
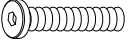
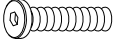







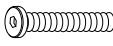


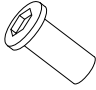


DO NOT REMOVE THE LABEL FROM THE BED



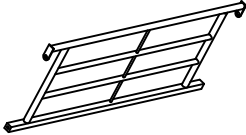

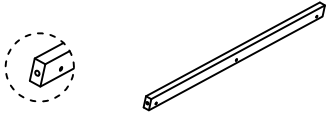
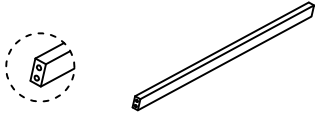
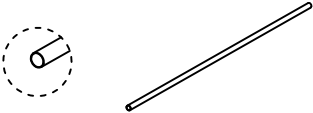
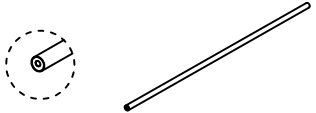

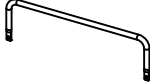
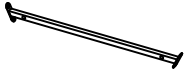
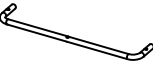
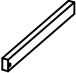
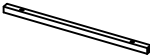
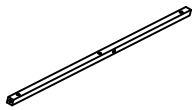

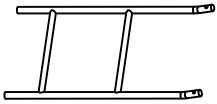
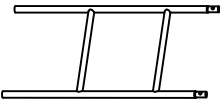
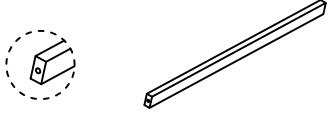
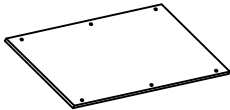
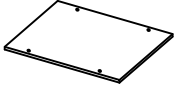

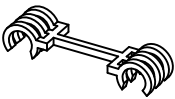
# Parts List For WF314683

<p>①</p>  <p>1pc</p>	<p>②</p>  <p>1pc</p>
<p>③</p>  <p>1pc</p>	<p>④</p>  <p>1pc</p>
<p>⑪</p>  <p>1pc</p>	<p>⑫</p>  <p>1pc</p>
<p>⑳</p>  <p>1pc</p>	

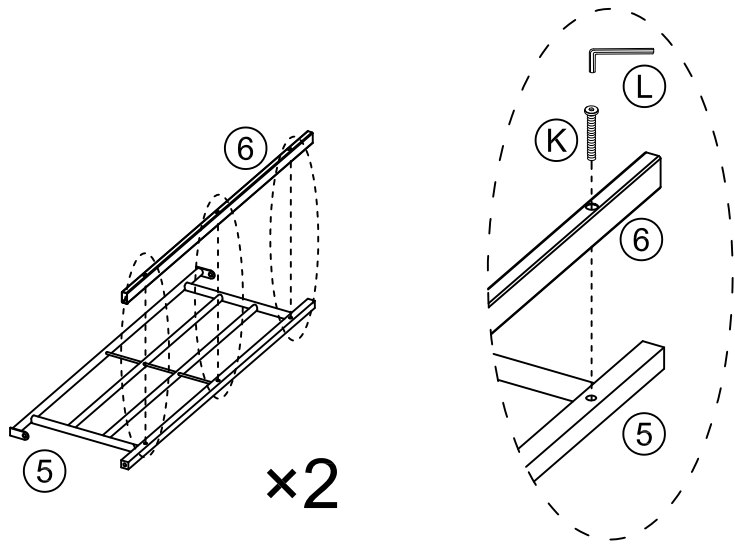
## Hardware



<p>Ⓐ</p>  <p>M8×70mm</p> <p>14pcs</p>	<p>Ⓑ</p>  <p>M8×45mm</p> <p>12pcs</p>	<p>Ⓒ</p>  <p>M8×40mm</p> <p>10pcs</p>	<p>Ⓓ</p>  <p>M8×20mm</p> <p>11pcs</p>
<p>Ⓔ</p>  <p>M6×12mm</p> <p>18pcs</p>	<p>Ⓕ</p>  <p>M6×15mm</p> <p>8pcs</p>	<p>Ⓖ</p>  <p>M6×30mm</p> <p>5pcs</p>	<p>Ⓗ</p>  <p>2pcs</p>
<p>Ⓘ</p>  <p>2pcs</p>	<p>Ⓙ</p>  <p>M4×35mm</p> <p>2pcs</p>	<p>Ⓚ</p>  <p>M6×40mm</p> <p>10pcs</p>	<p>Ⓛ</p>  <p>M4</p> <p>2pcs</p>
<p>Ⓜ</p>  <p>M5</p> <p>1pc</p>	<p>Ⓝ</p>  <p>2pcs</p>	<p>Ⓞ</p>  <p>M6×25mm</p> <p>3pcs</p>	<p>Ⓟ</p>  <p>5pcs</p>

# Parts List For WF314684

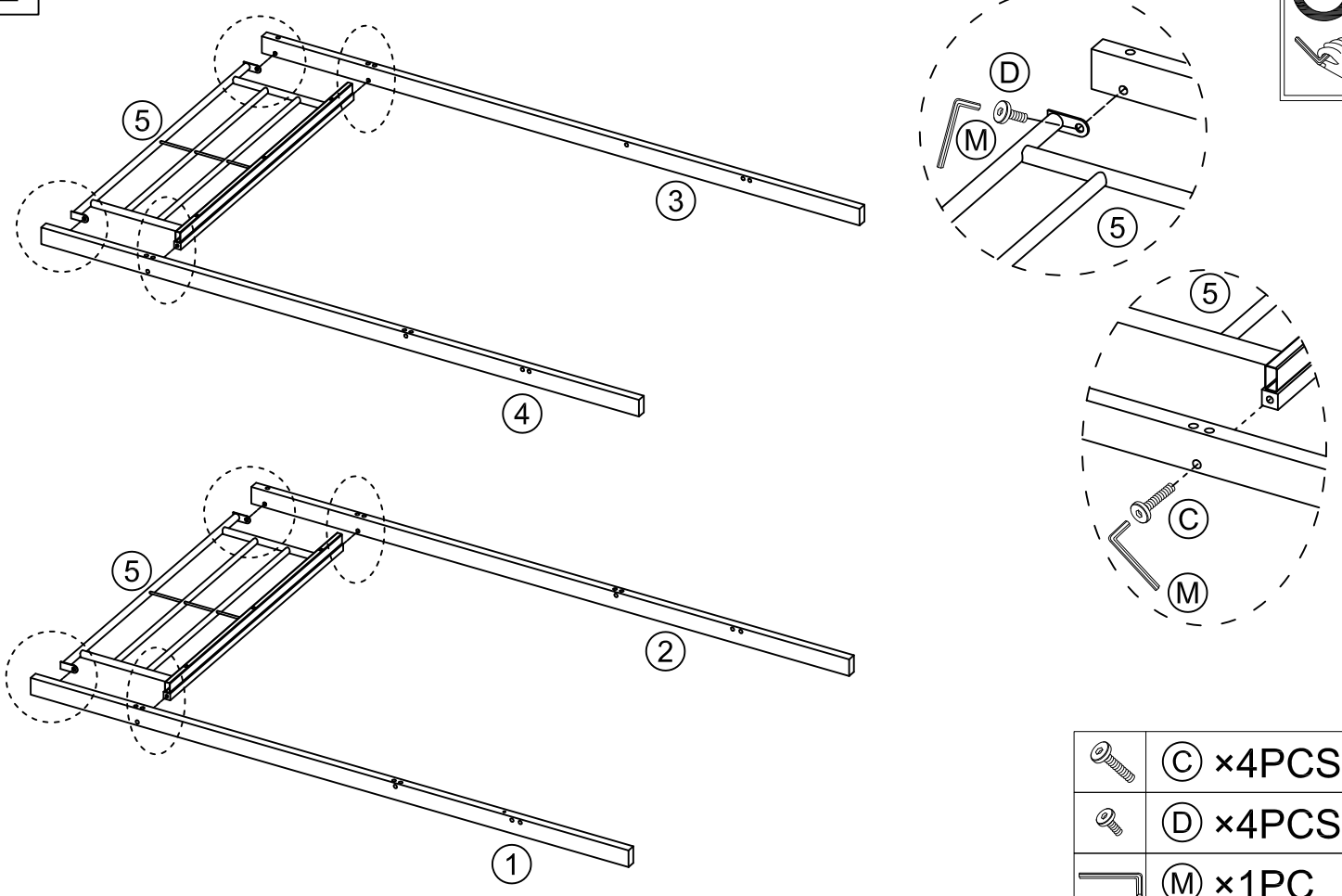
<p>⑤</p>  <p>2pcs</p>	<p>⑥</p>  <p>2pcs</p>		
<p>⑦</p>  <p>1pc</p>	<p>⑧</p>  <p>2pcs</p>		
<p>⑨</p>  <p>20pcs</p>	<p>⑩</p>  <p>4pcs</p>		
<p>⑬</p>  <p>2pcs</p>	<p>⑭</p>  <p>1pc</p>		
<p>⑮</p>  <p>1pc</p>	<p>⑯</p>  <p>1pc</p>		
<p>⑰</p>  <p>2pcs</p>	<p>⑱</p>  <p>1pc</p>		
<p>⑲</p>  <p>1pc</p>	<p>⑳</p>  <p>1pc</p>		
<p>㉒</p>  <p>1pc</p>	<p>㉓</p>  <p>1pc</p>		
<p>㉔</p>  <p>1pc</p>	<p>㉕</p>  <p>1pc</p>		
<p>㉖</p>  <p>1pc</p>	<p>㉗</p>  <p>1pc</p>		
<p>Ⓙ</p>  <p>23pcs</p>			




1



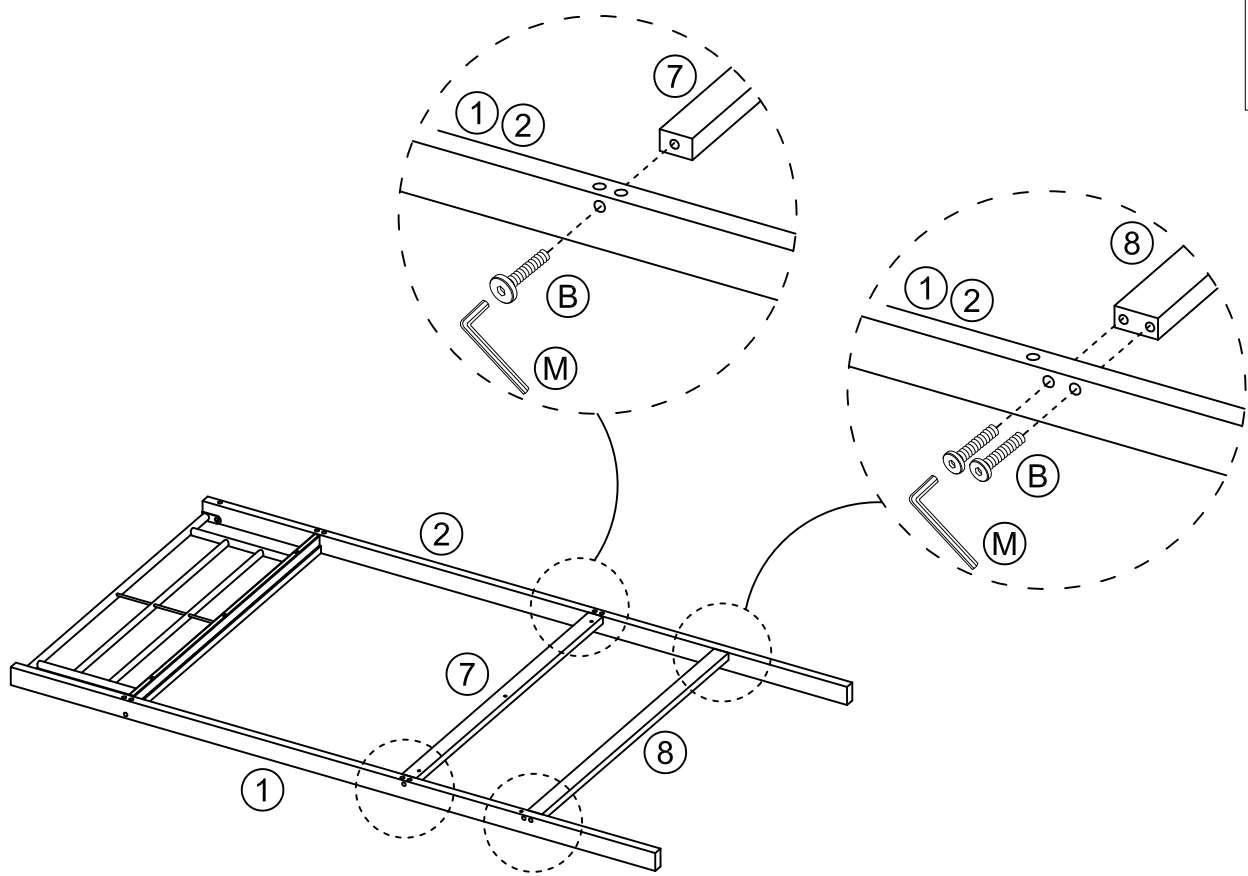
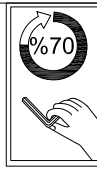
	(K) x6PCS
	(L) x1PC

2



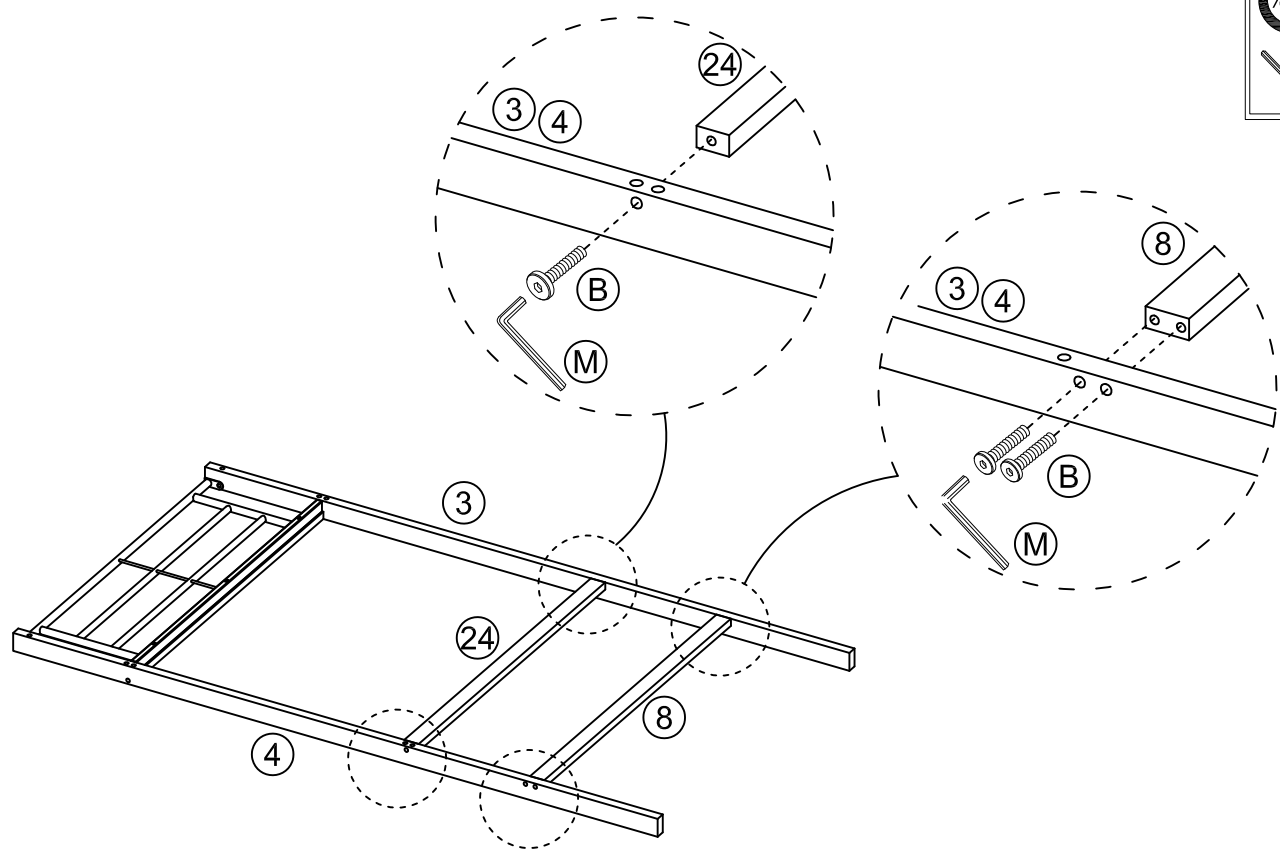
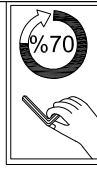
	(C) x4PCS
	(D) x4PCS
	(M) x1PC

3



	(B) ×6PCS
	(M) ×1PC

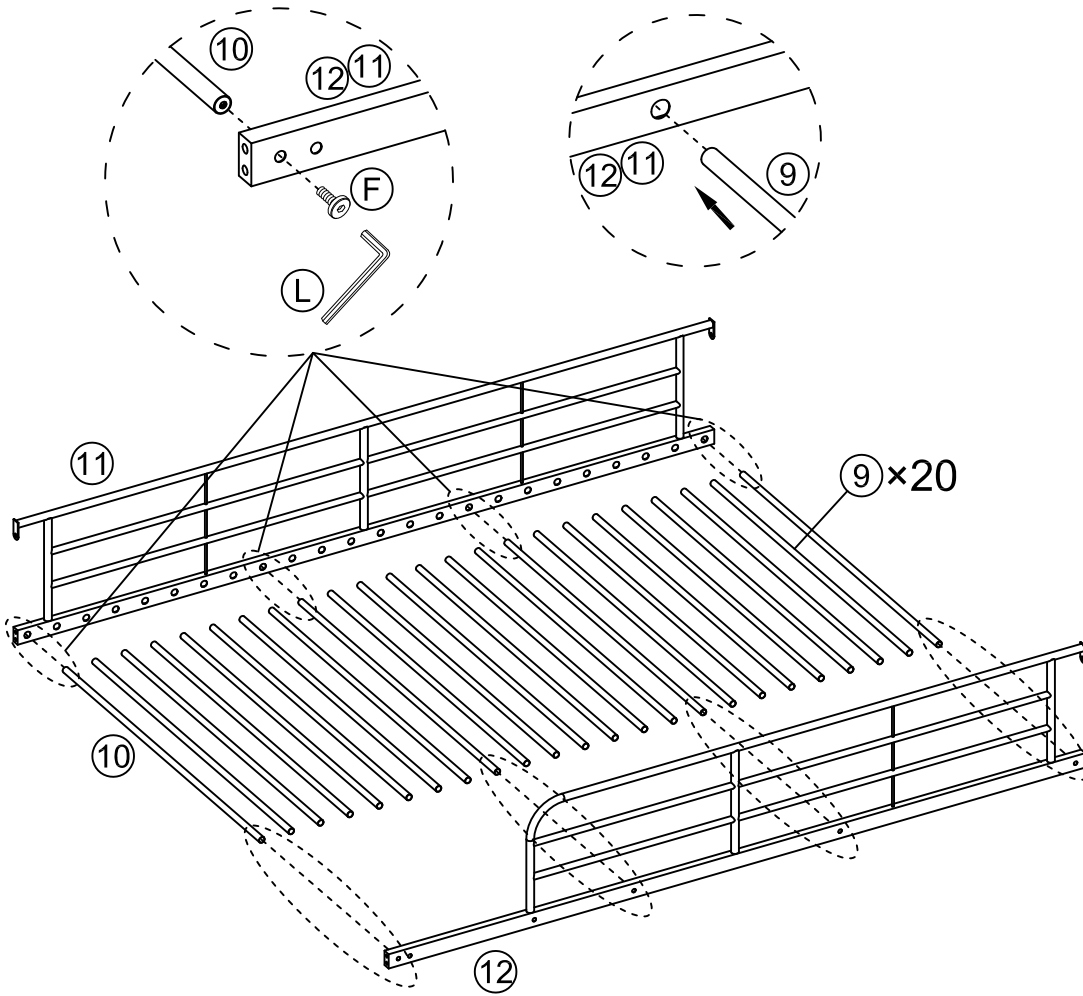
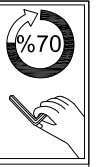
4



	(B) ×6PCS
	(M) ×1PC

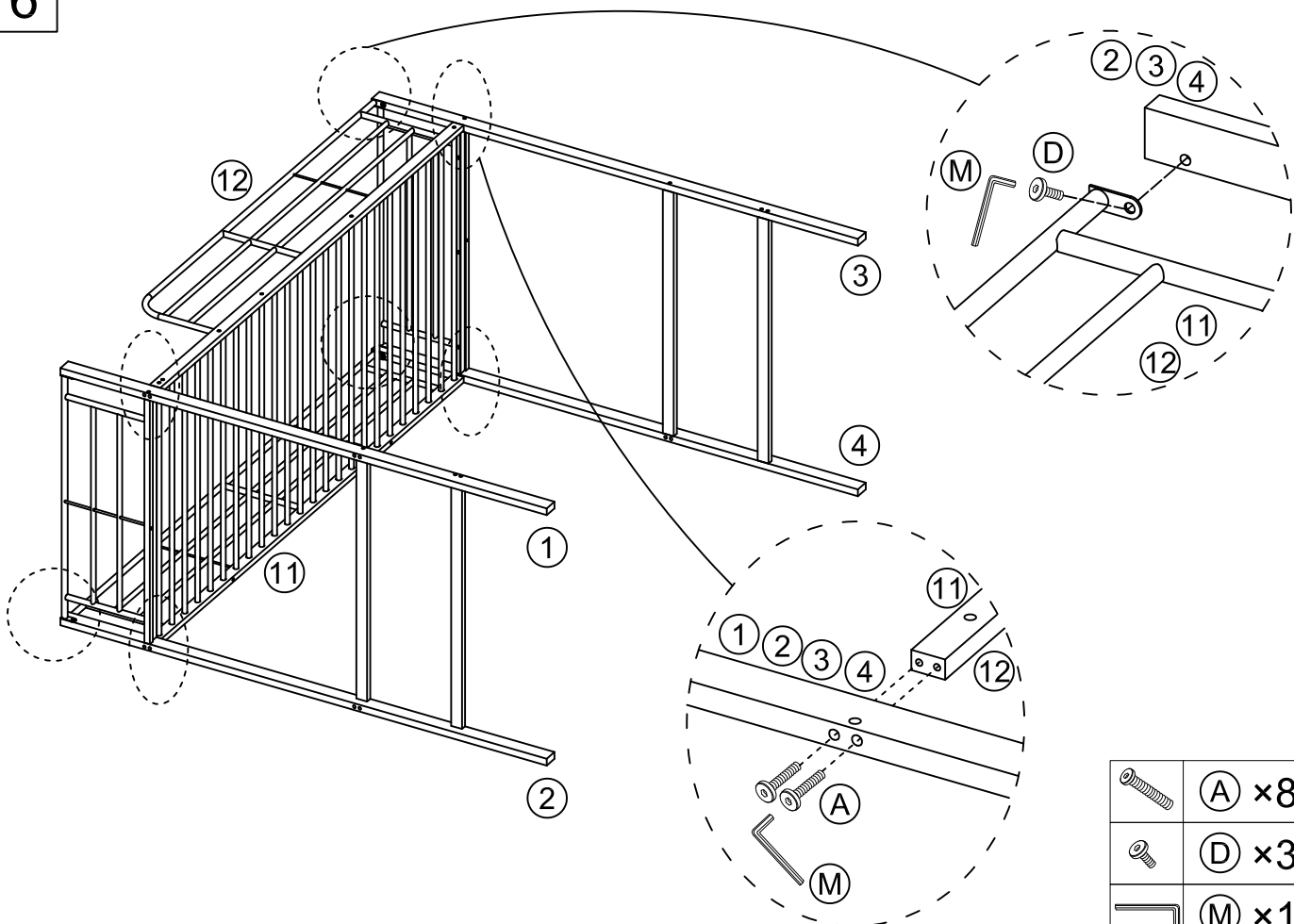
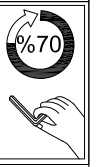


5



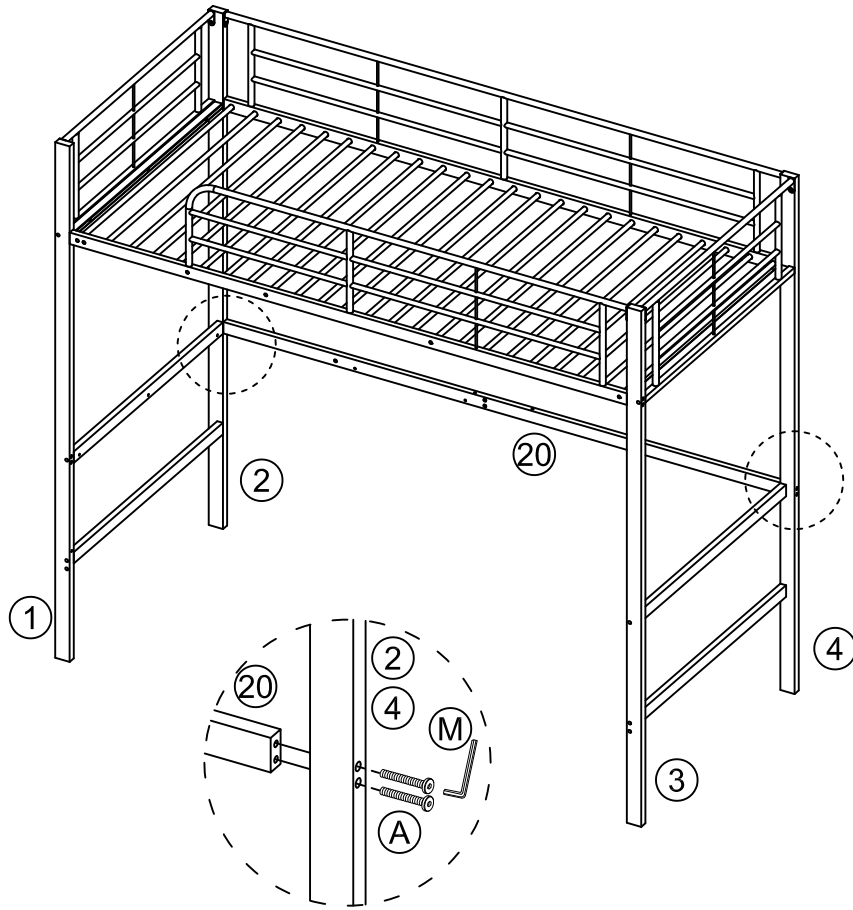
	F × 8PCS
	L × 1PC



6



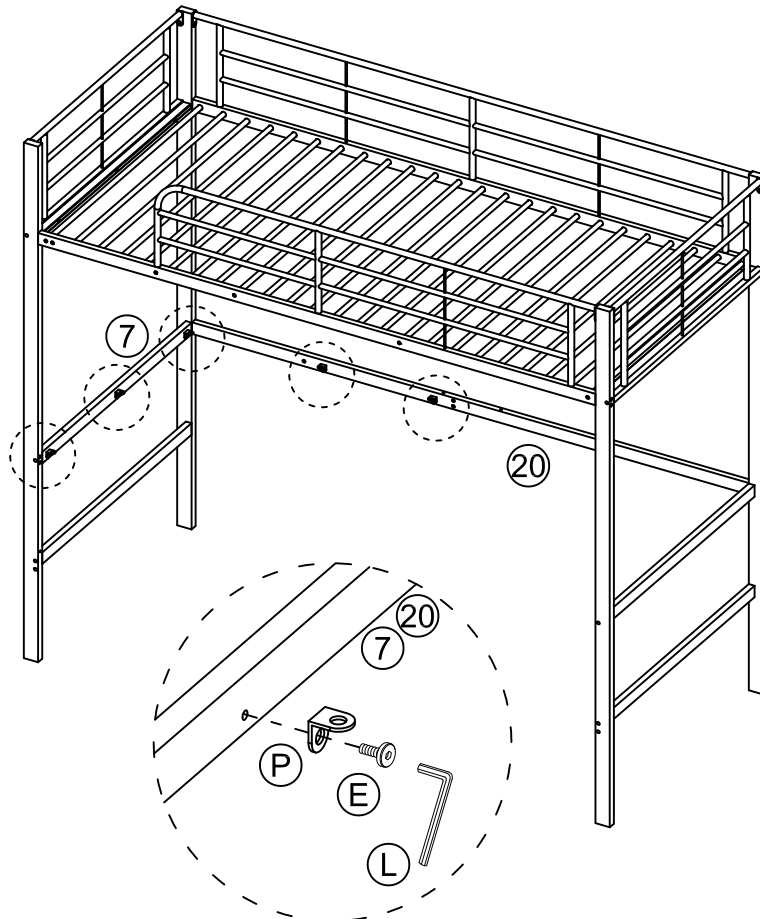
	A × 8PCS
	D × 3PCS
	M × 1PC




7



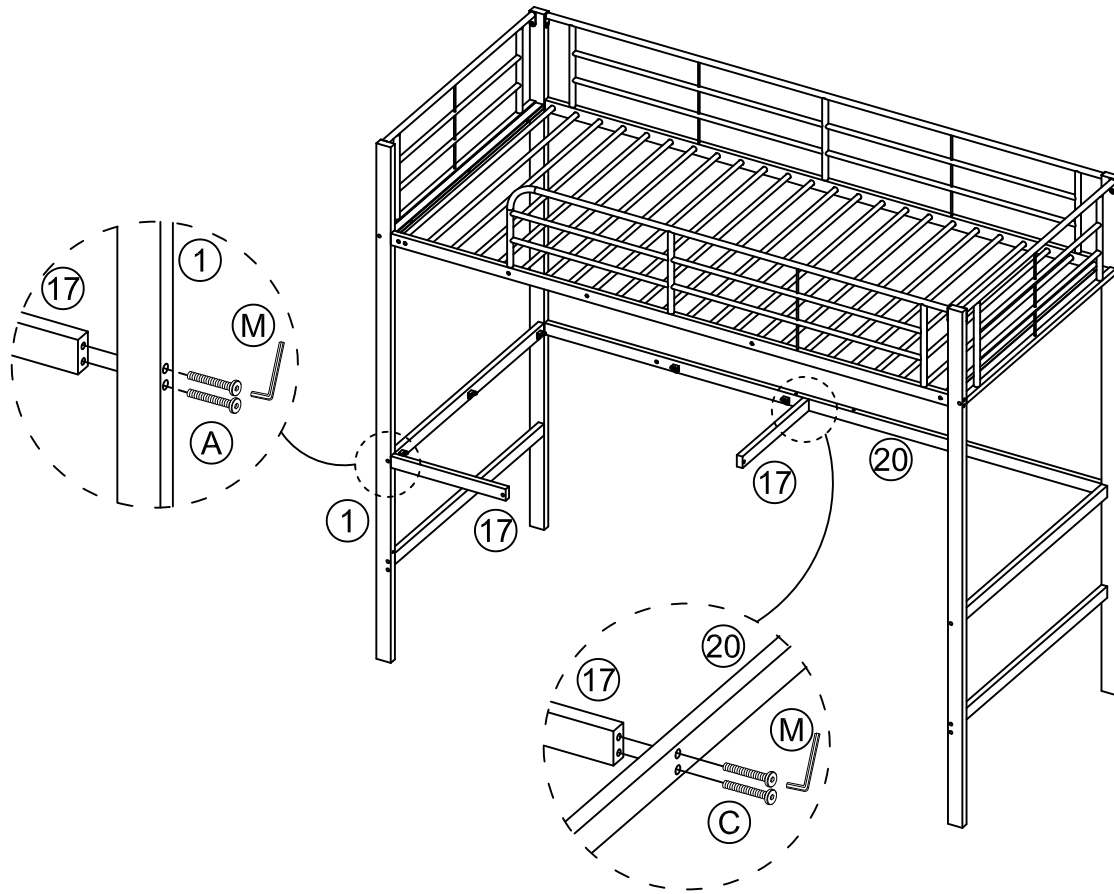
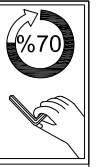
	(A) x4PCS
	(M) x1PC

8



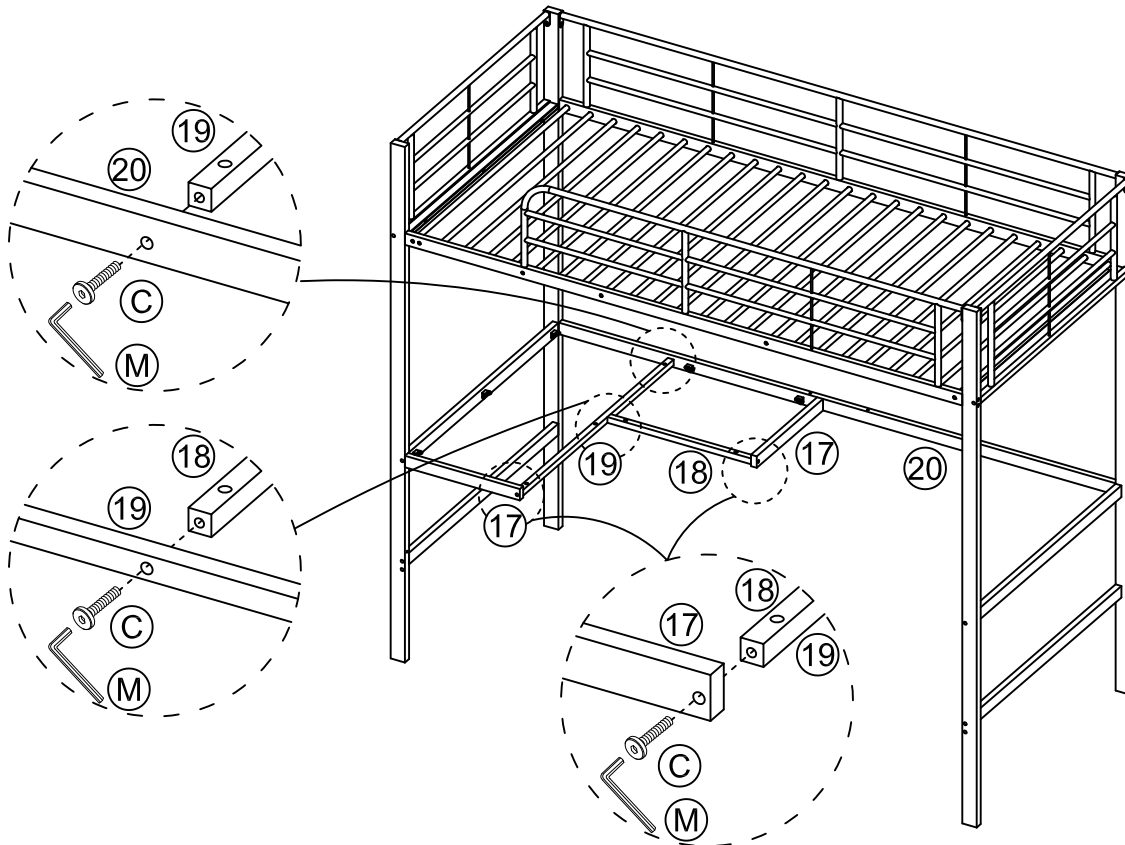
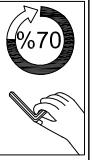
	(E) x5PCS
	(P) x5PCS
	(L) x1PC

9



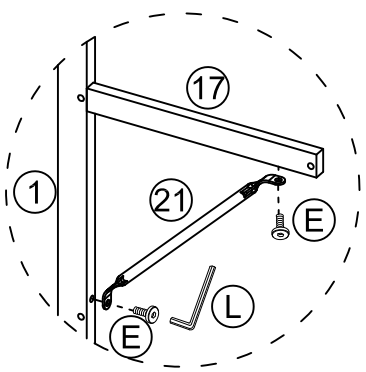
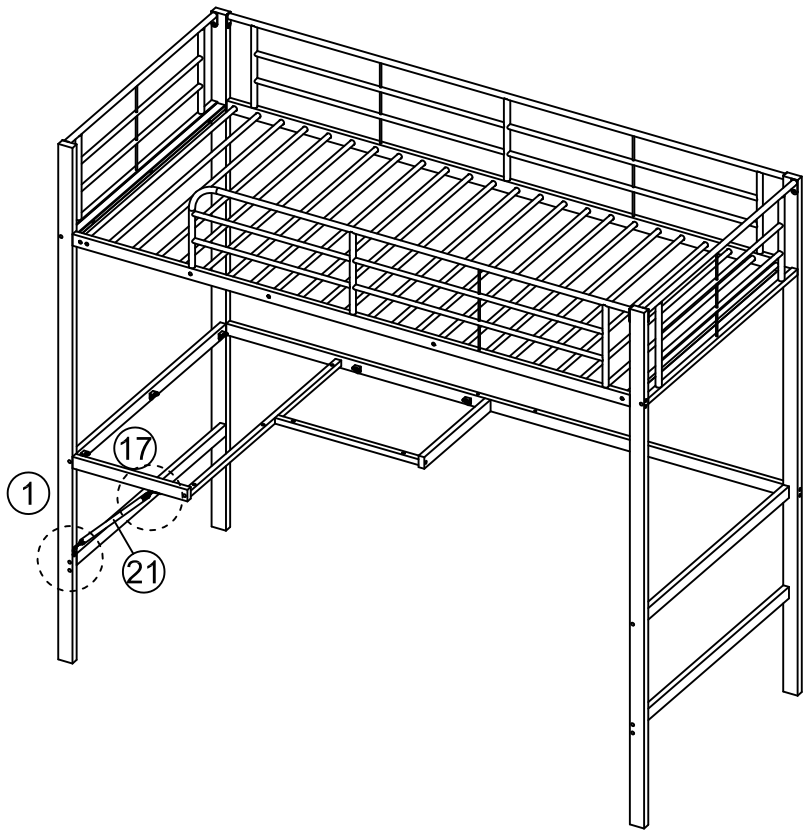
	(A) ×2PCS
	(C) ×2PCS
	(M) ×1PC



10



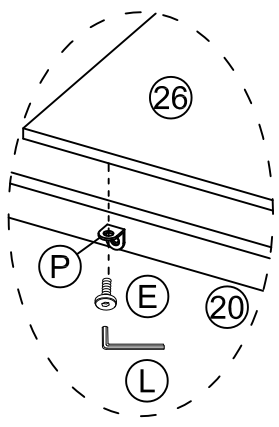
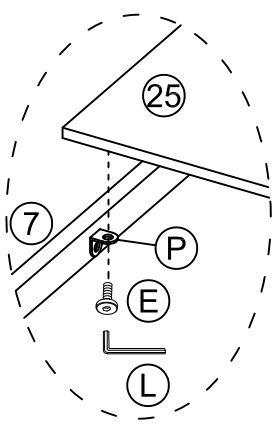
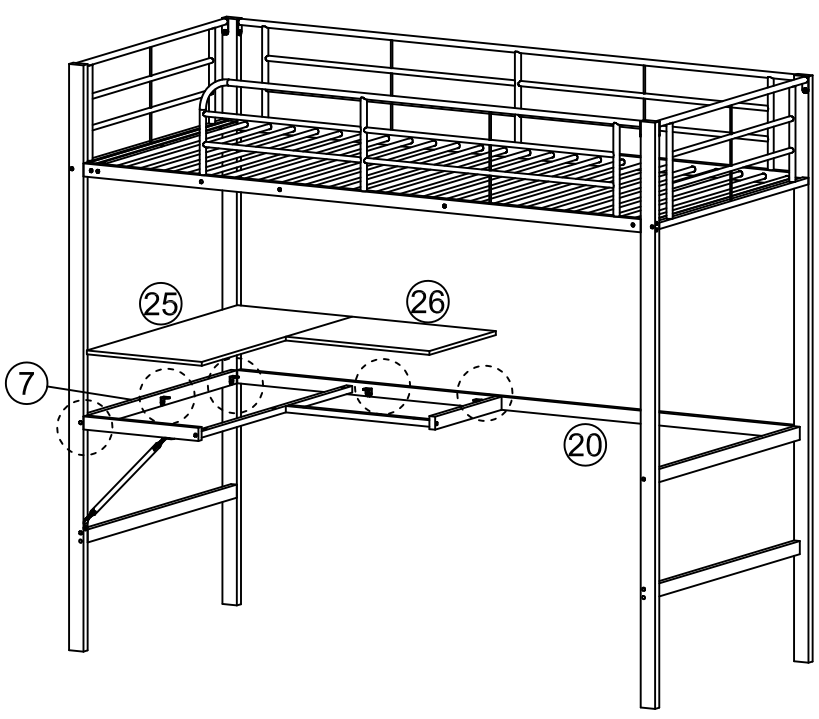
	(C) ×4PCS
	(M) ×1PC



11



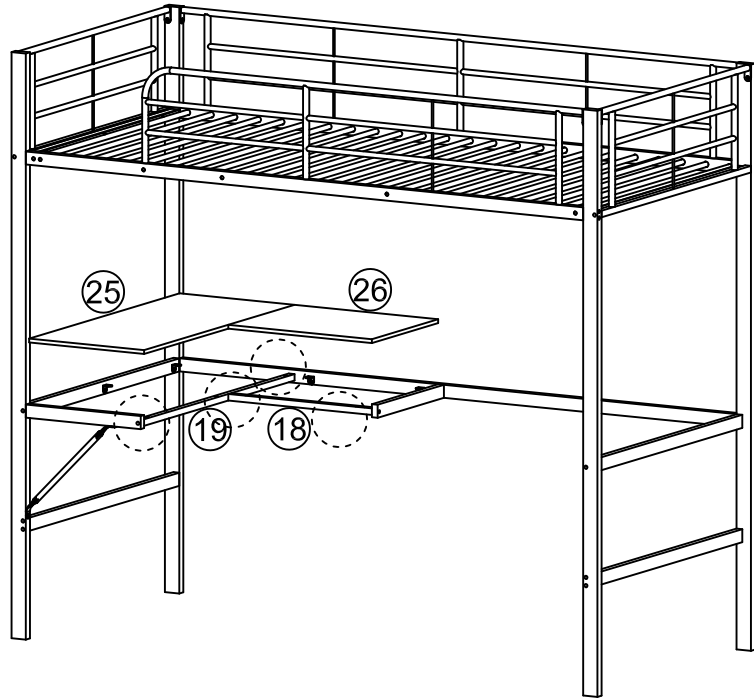
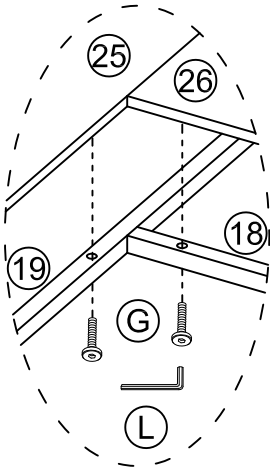
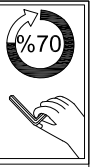
	(E) x2PCS
	(L) x1PC

12



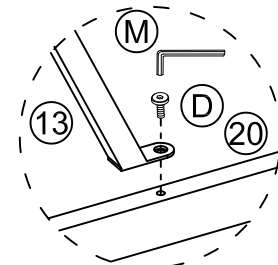
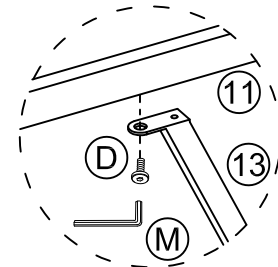
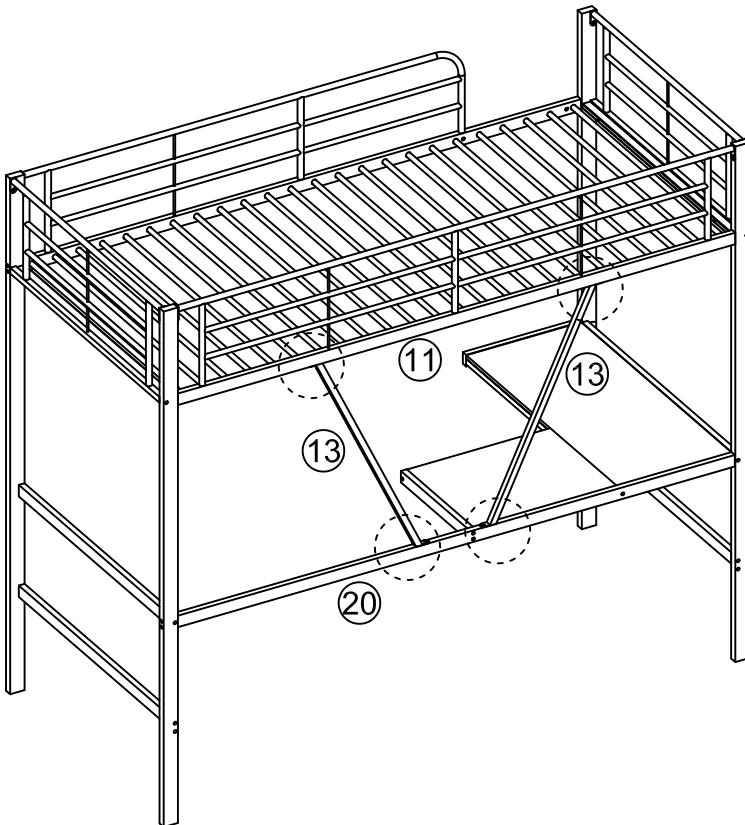
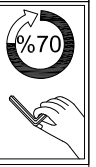
	(E) x5PCS
	(L) x1PC

13



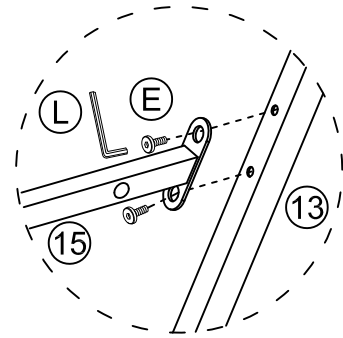
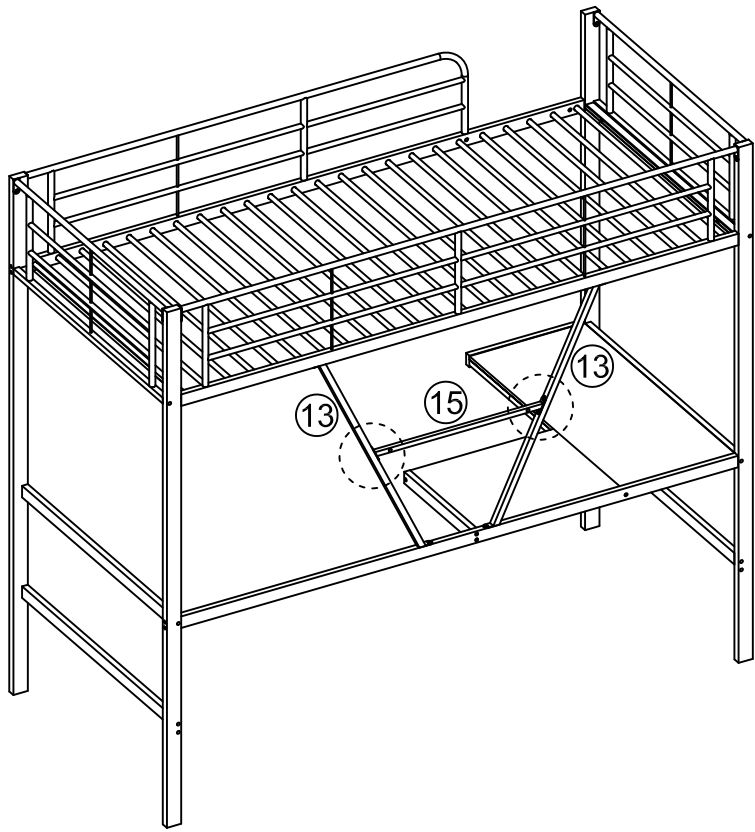
	G × 5PCS
	L × 1PC



14



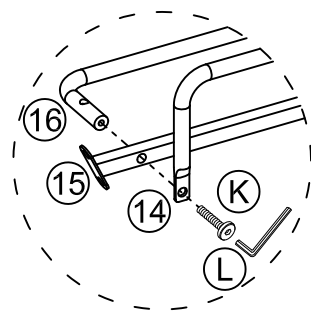
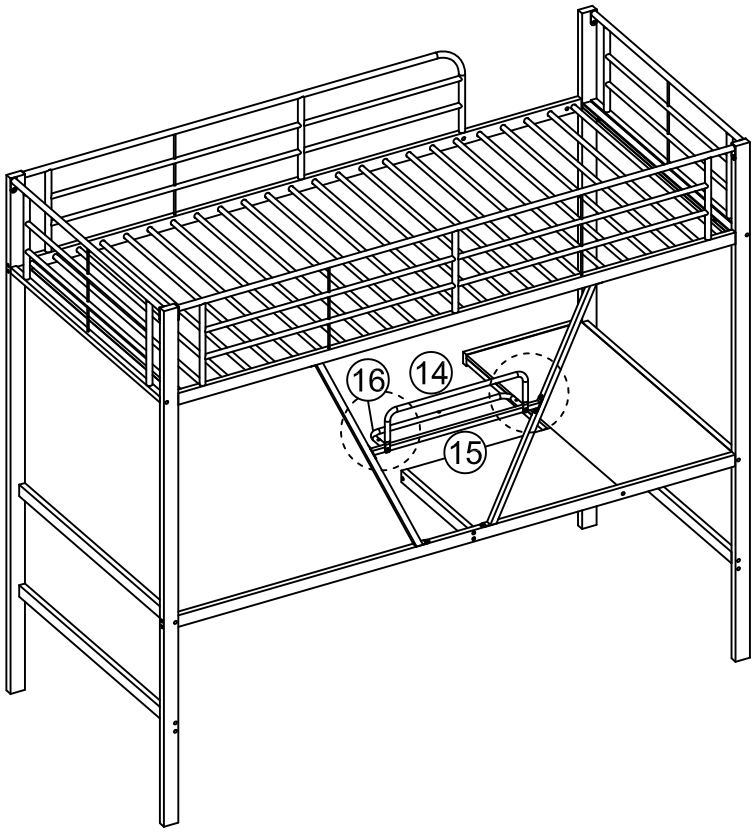
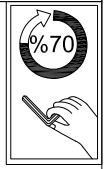
	D × 4PCS
	M × 1PC



15



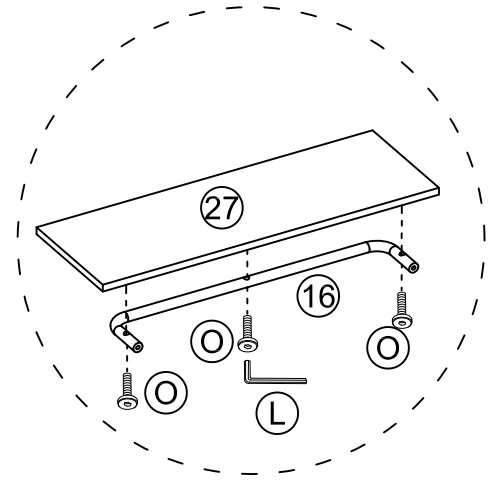
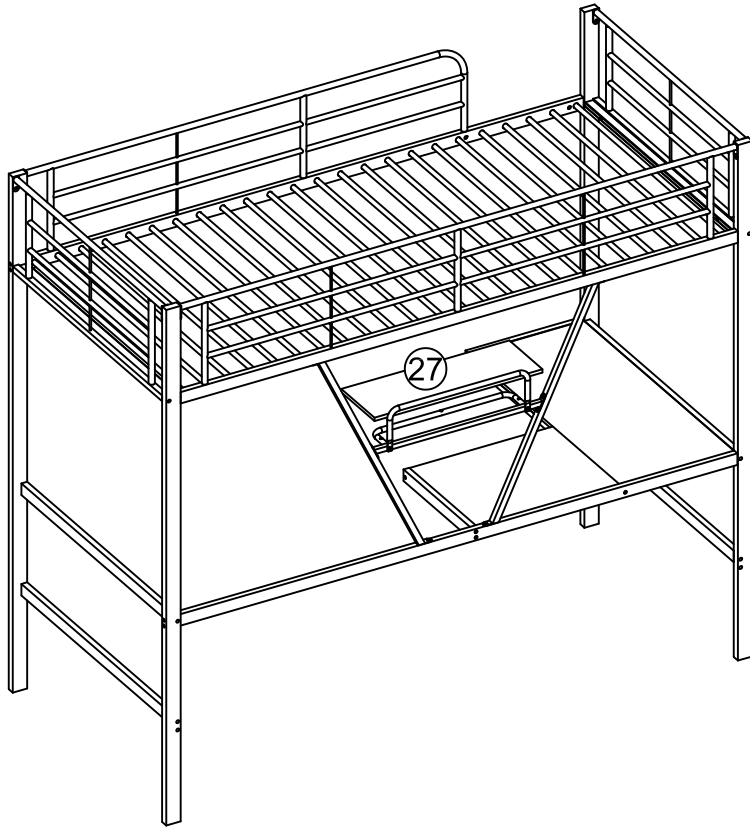
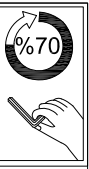
	<b>E</b> ×4PCS
	<b>L</b> ×1PC

16



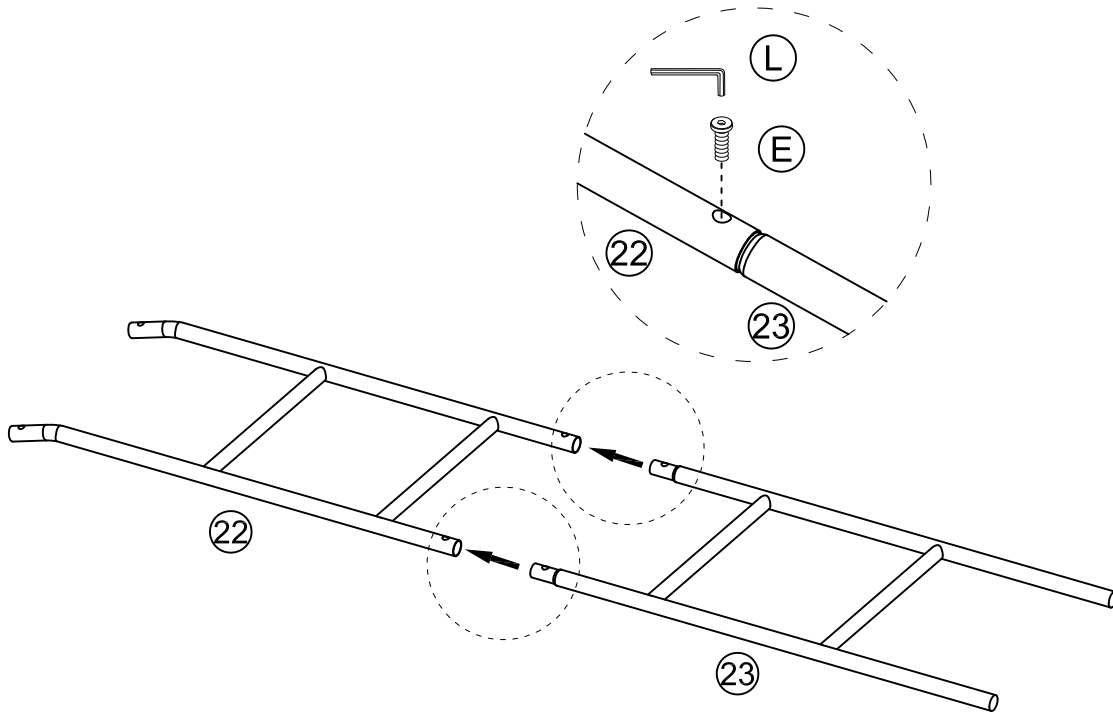
	<b>K</b> ×2PCS
	<b>L</b> ×1PC

17



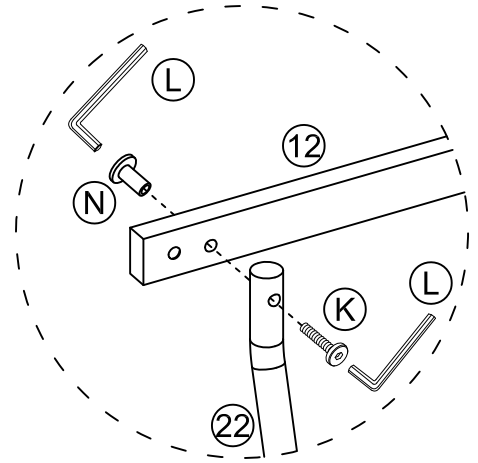
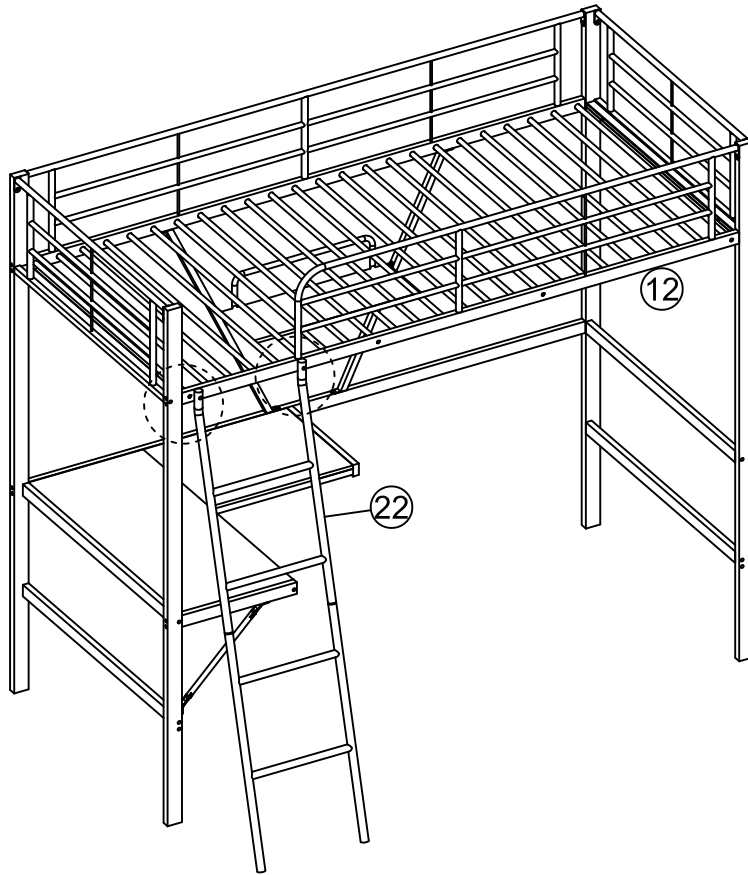
	⊙ ×3PCS
	Ⓛ ×1PC

18



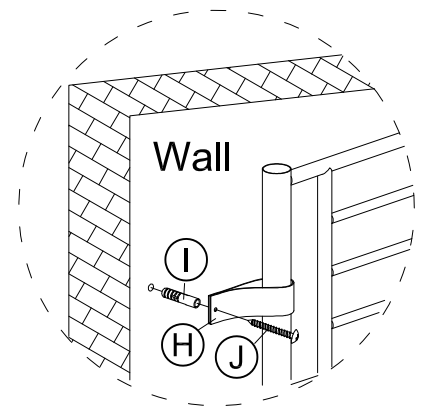
	⊙ ×2PCS
	Ⓛ ×2PCS

19



	(K) × 2PCS
	(N) × 2PCS
	(L) × 2PCS

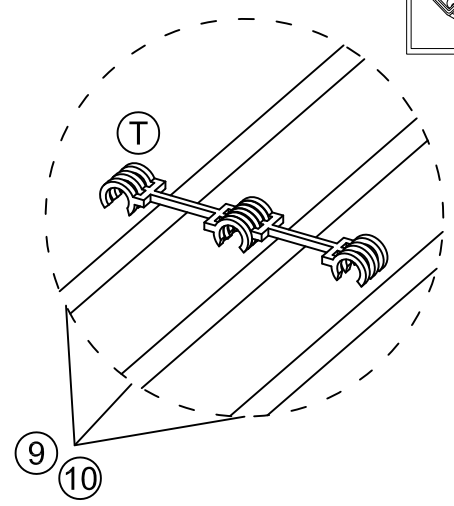
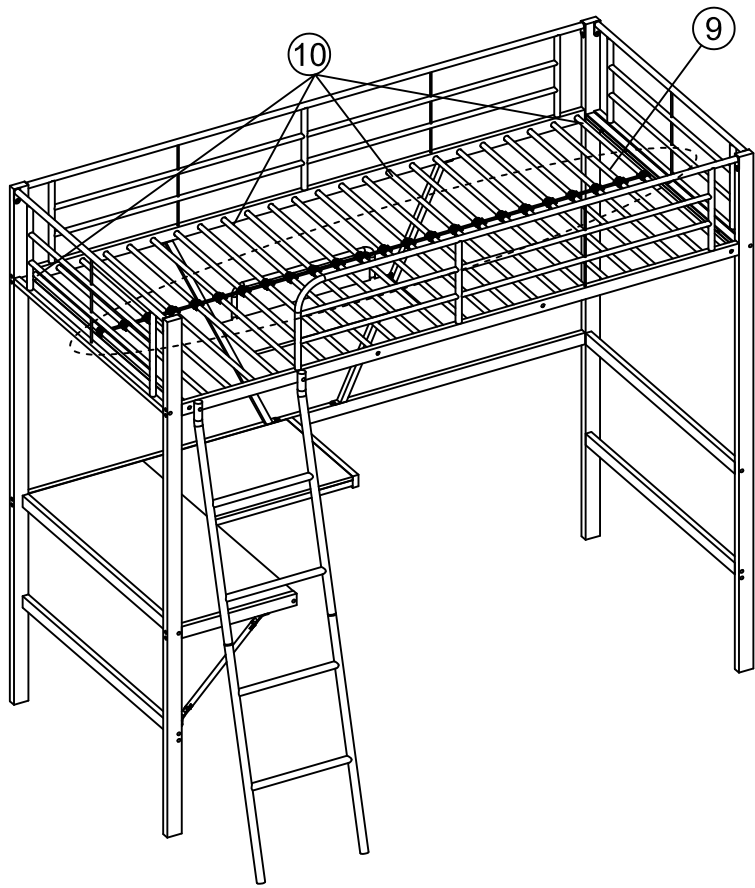
20




	(H) × 2PCS
	(I) × 2PCS
	(J) × 2PCS



21



  $\text{T} \times 23\text{PCS}$

22

