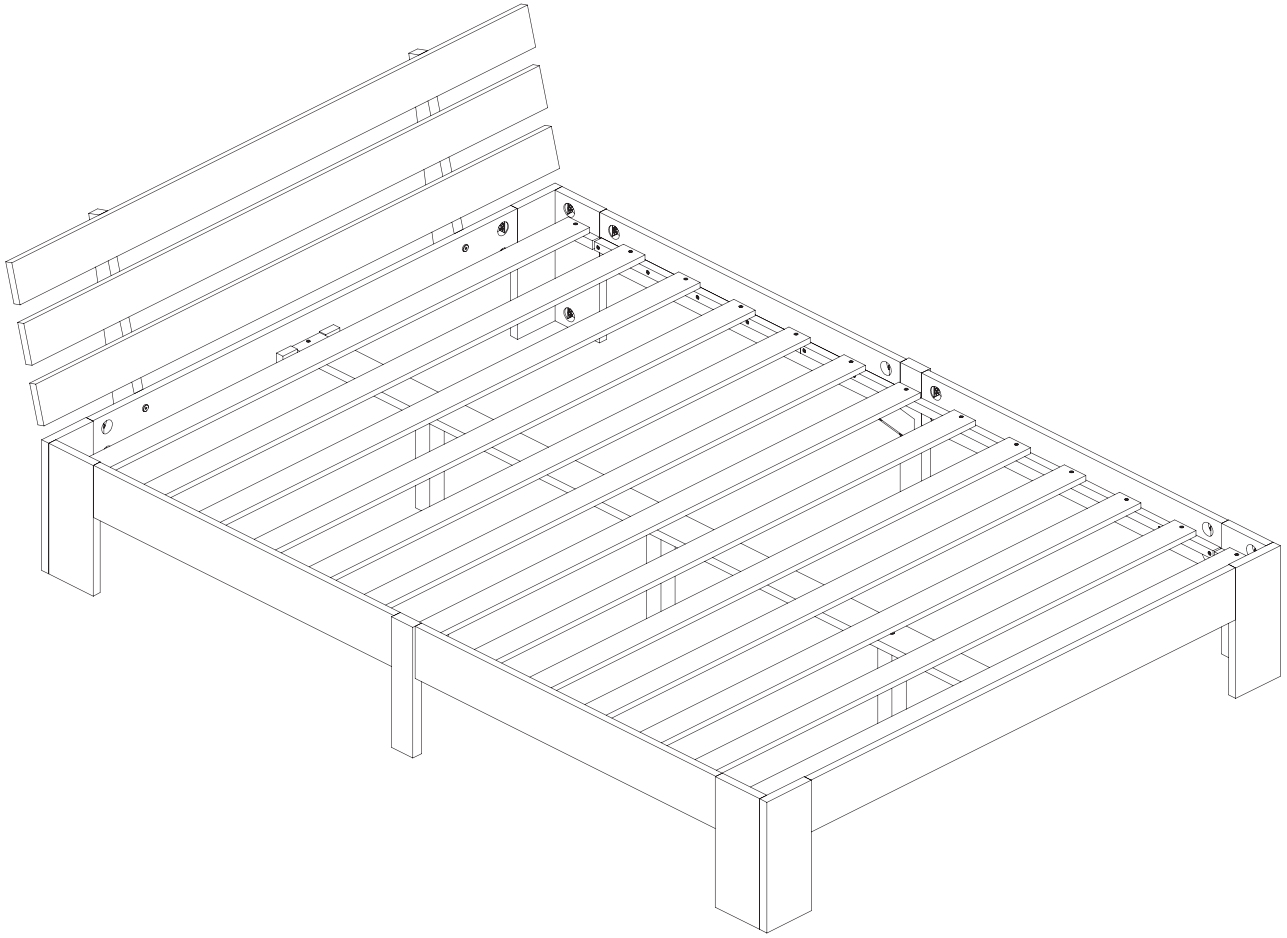




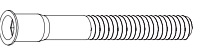



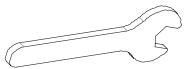

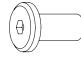


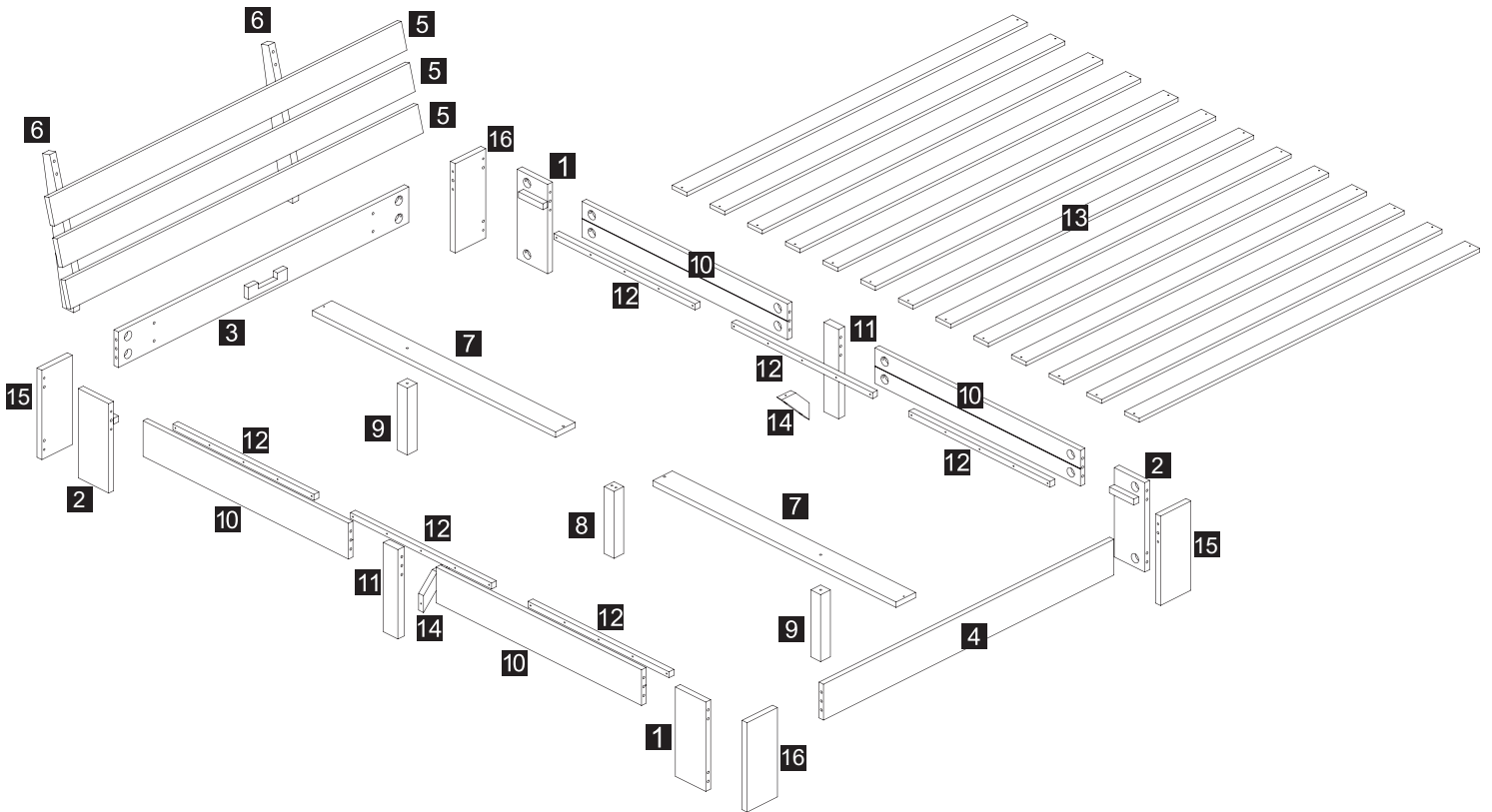
WF188743



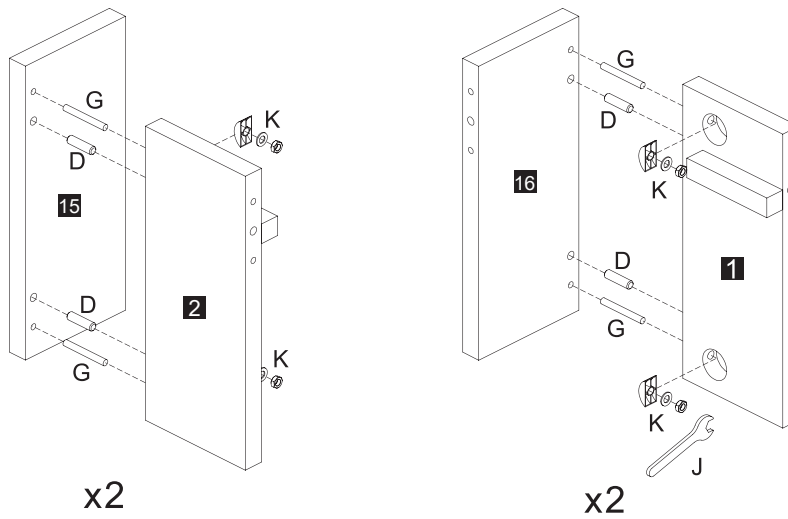
Ax62  $\Phi 4 \times 30$	Bx12  M6x40	Cx2 	Dx20  $\Phi 8 \times 30$
Ex4  $\Phi 7 \times 60$	Fx4  M6x60	Gx24  M6x60	Hx4  M6x140
Jx1 	Kx32 	Lx4 	






1 x2		2		3 x1		4 x1	
5 x3		6 x2		7 x2		8 x1	
9 x2		10 x4		11 x2		12 x6	
13 x13		14 x2		15 x2		16 x2	

Stückliste

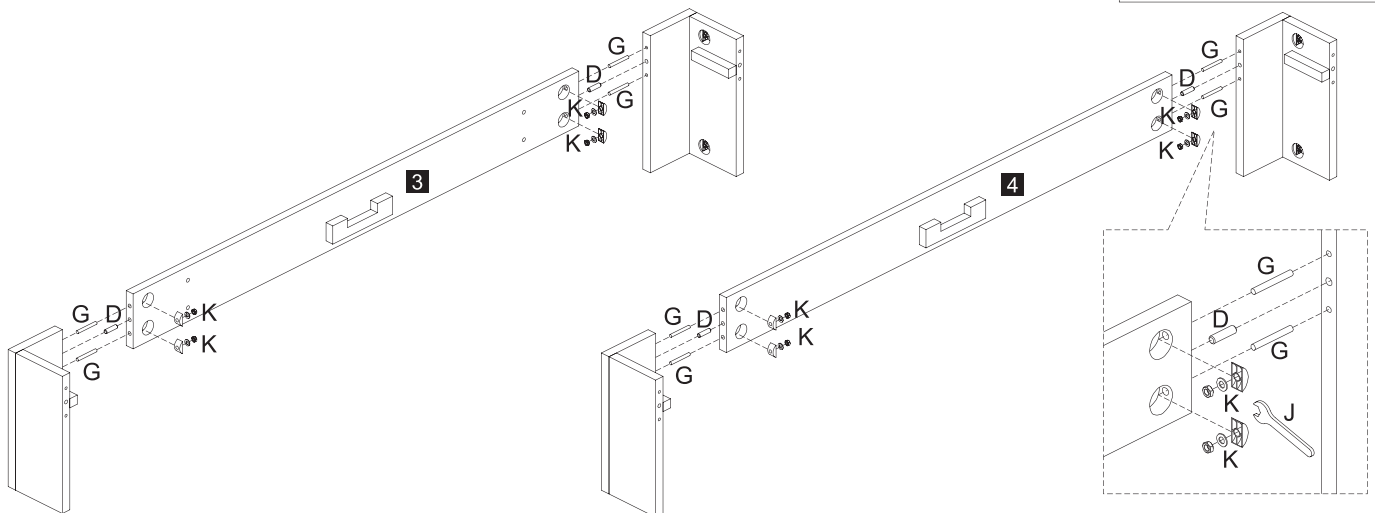







Schritt 1



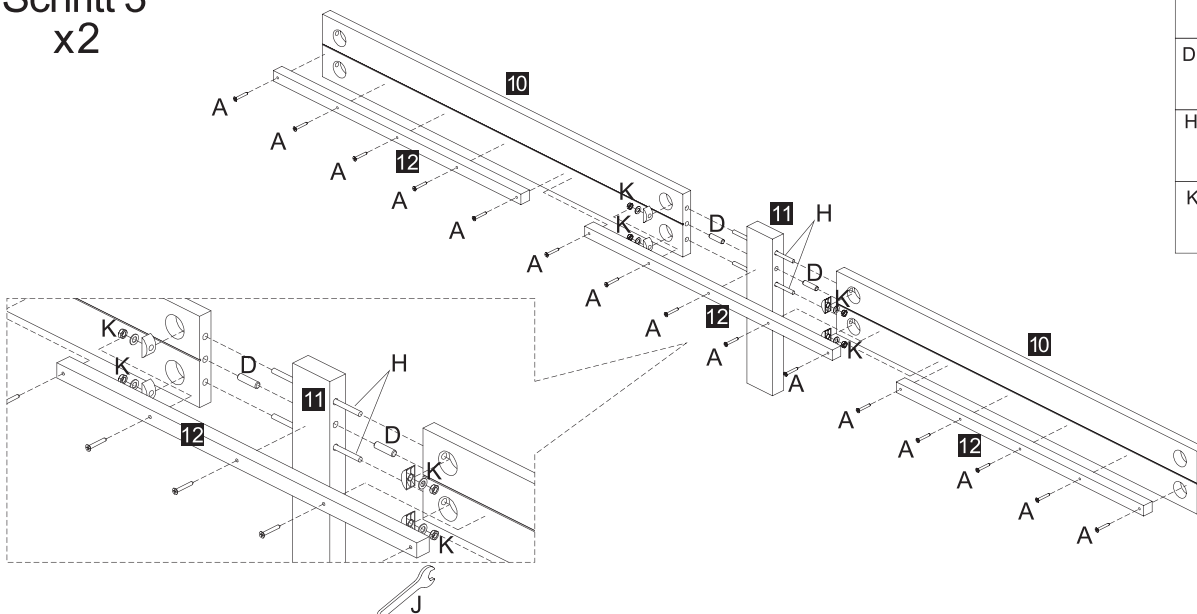
Dx8		Φ8x30
Gx8		M6x60
Kx8		 







Schritt 2



Kx8		 
Dx4		Φ8x30
Gx8		M6x60

Schritt 3 x2



Ax30		Φ4x30
Dx4		Φ8x30
Hx4		M6x140
Kx8		 

Schritt 4

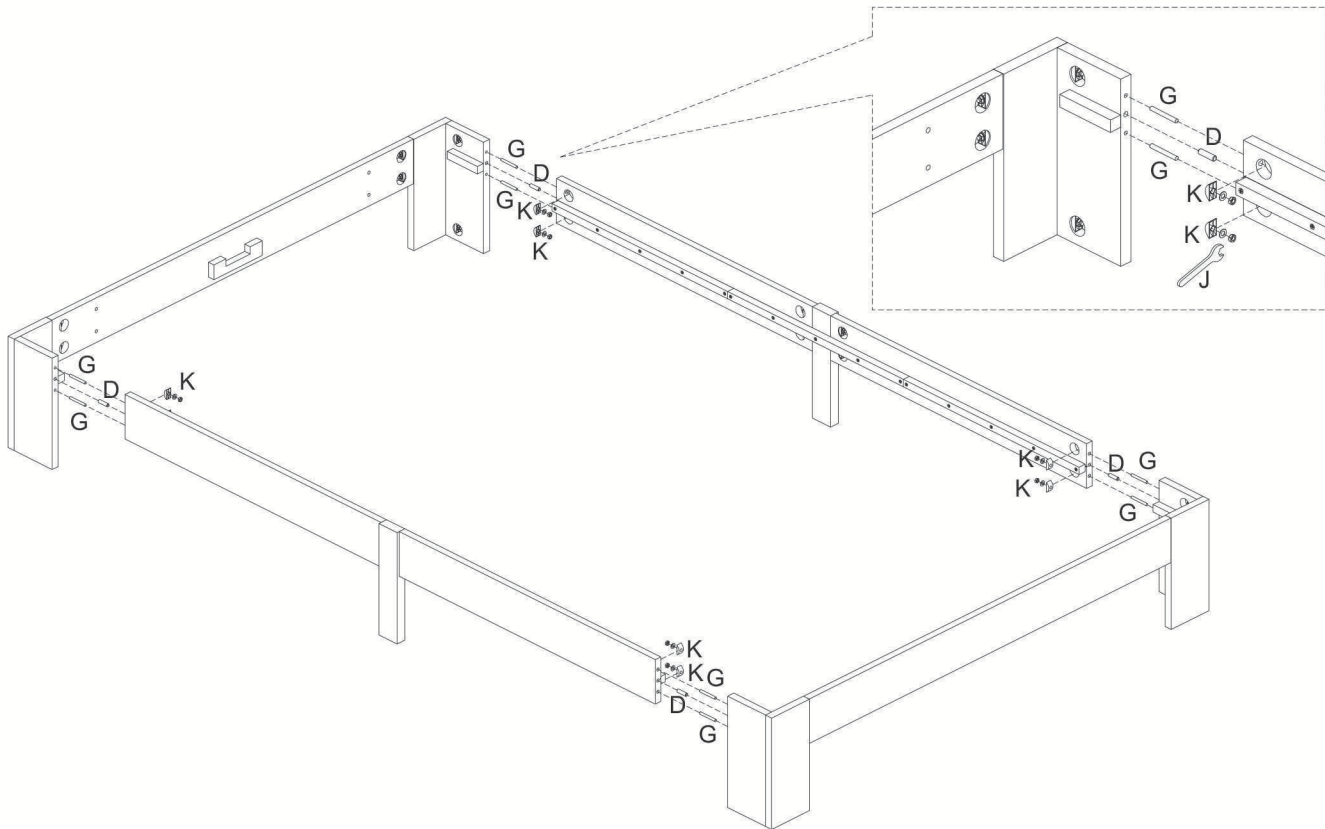
Kx8



Dx4



Gx8

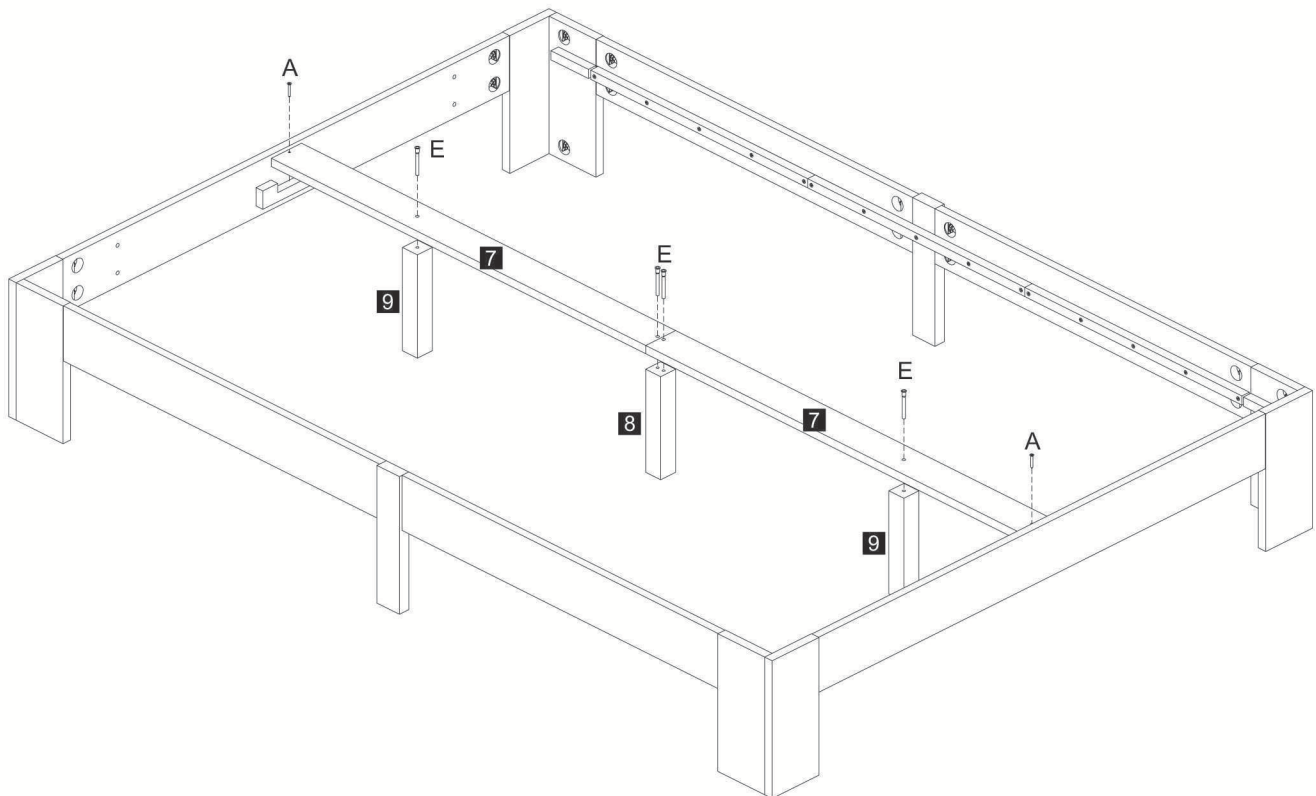
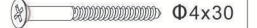


Schritt 5

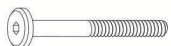

Ex4

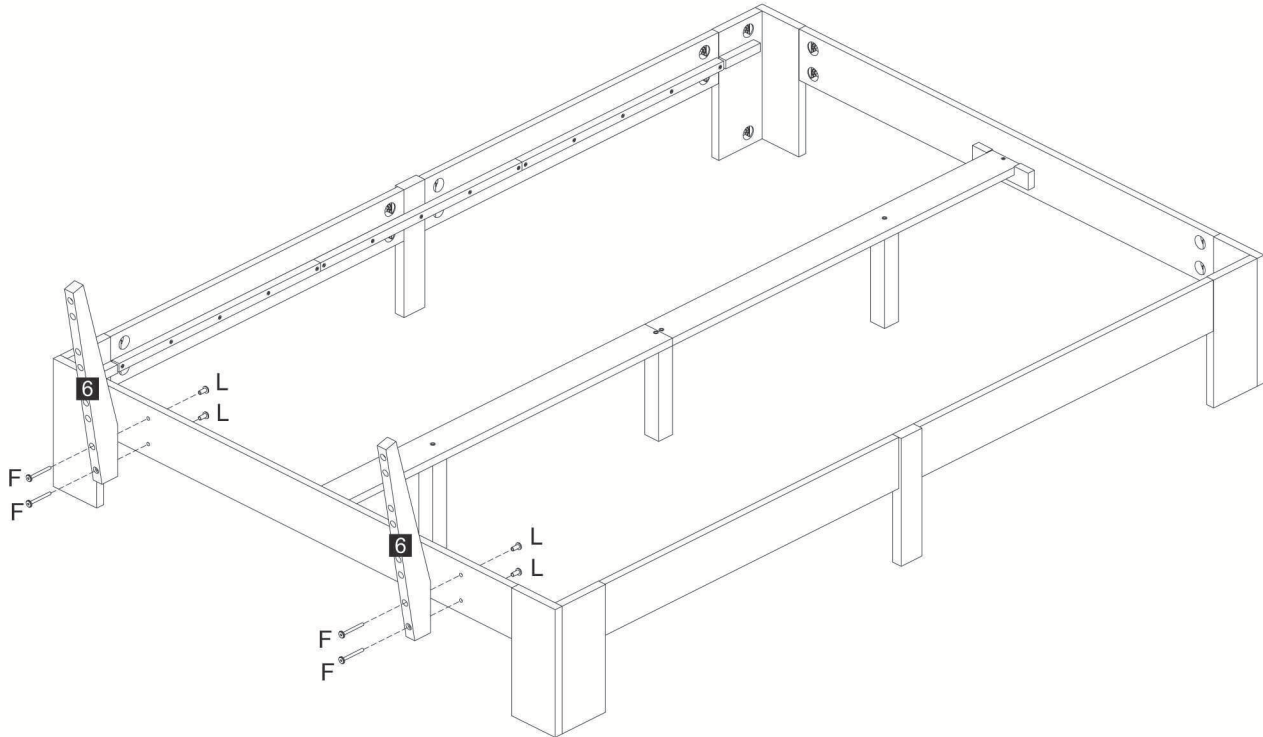


Ax2




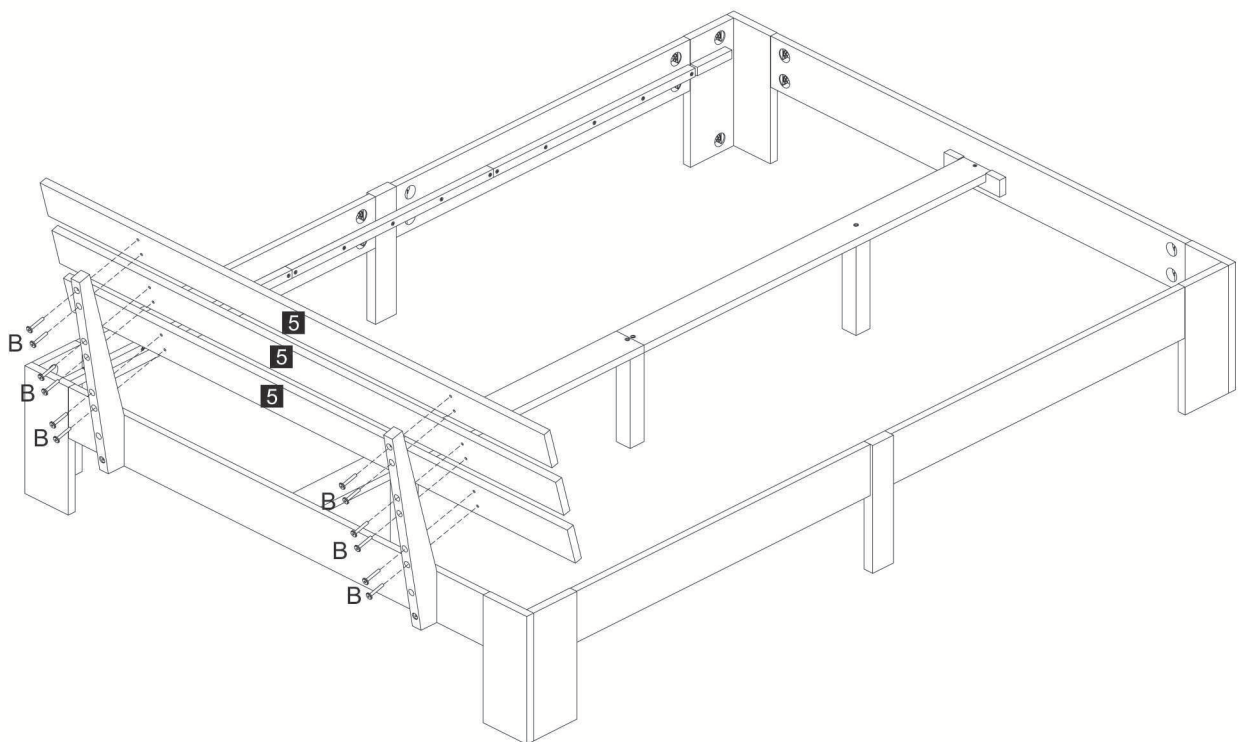
Schritt 6

Fx4		M6x60
Lx4		

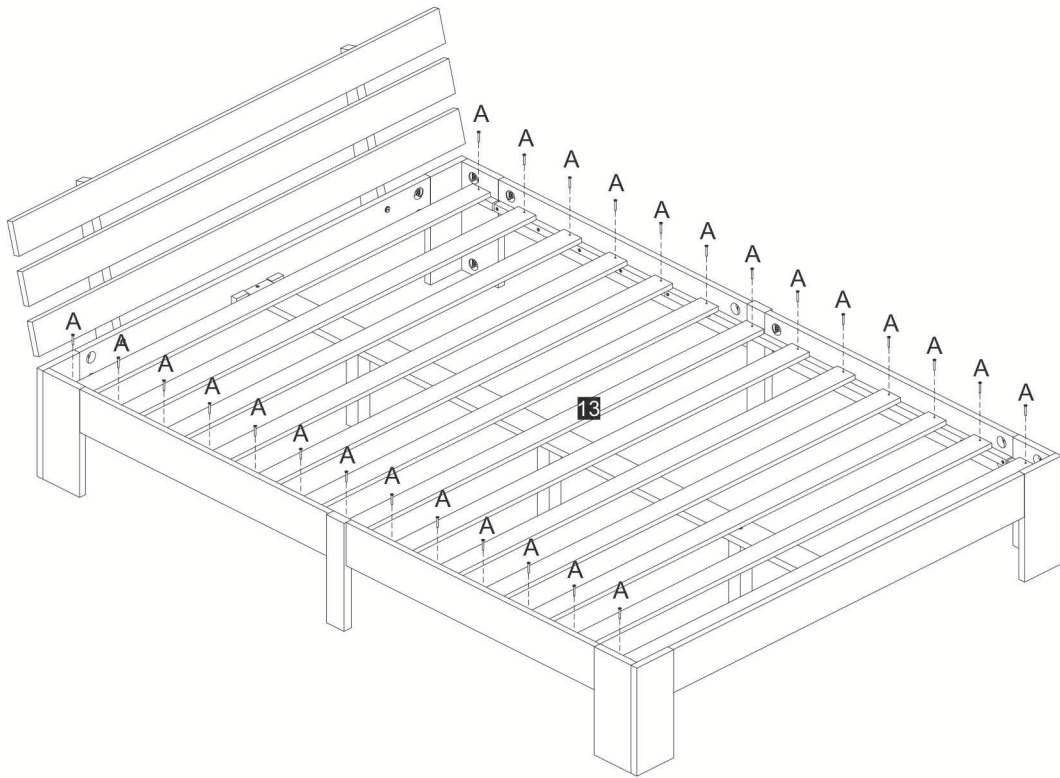
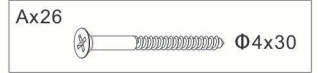


Schritt 7

Bx12		M6x40
------	---	-------



Schritt 8



Schritt 9

