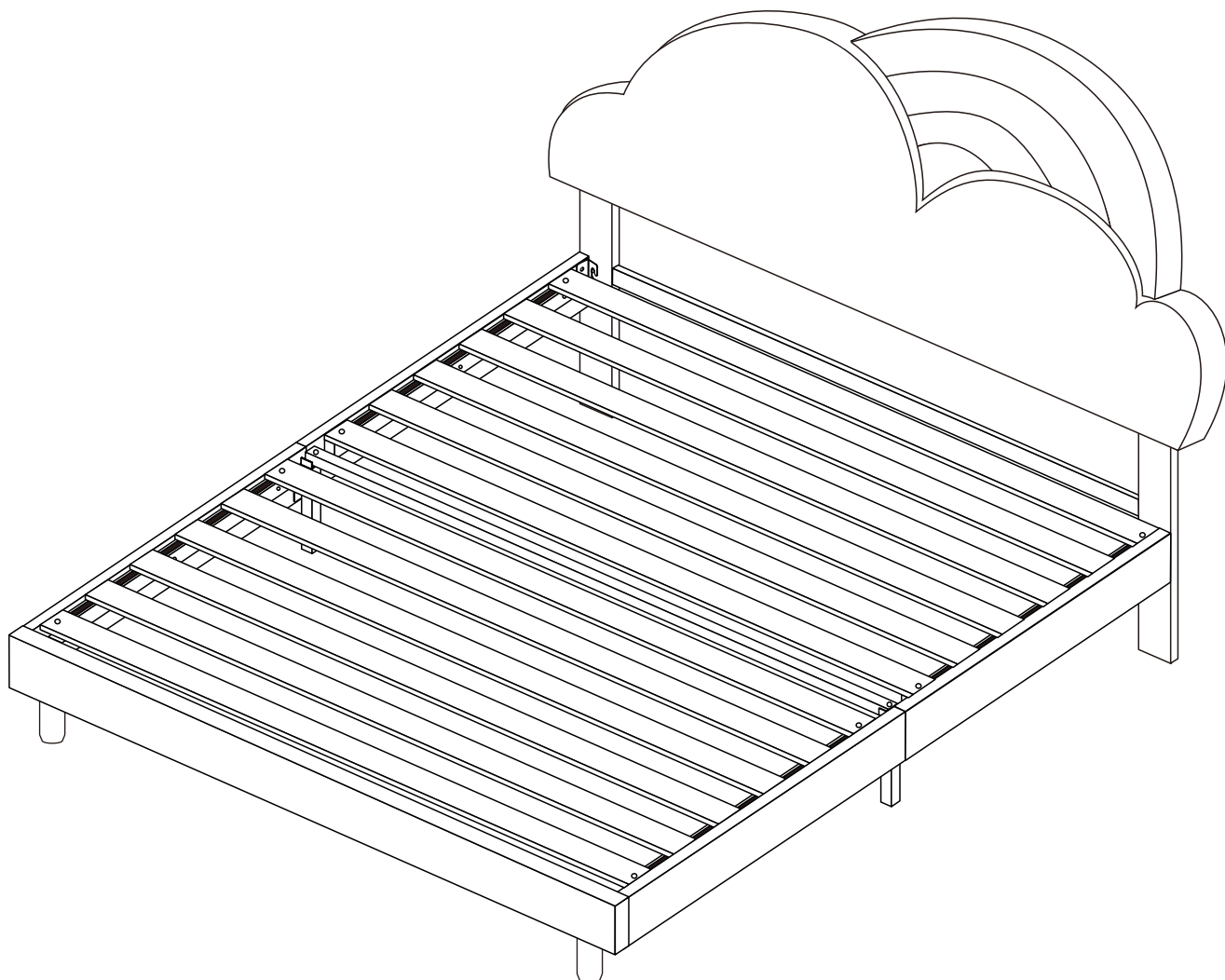
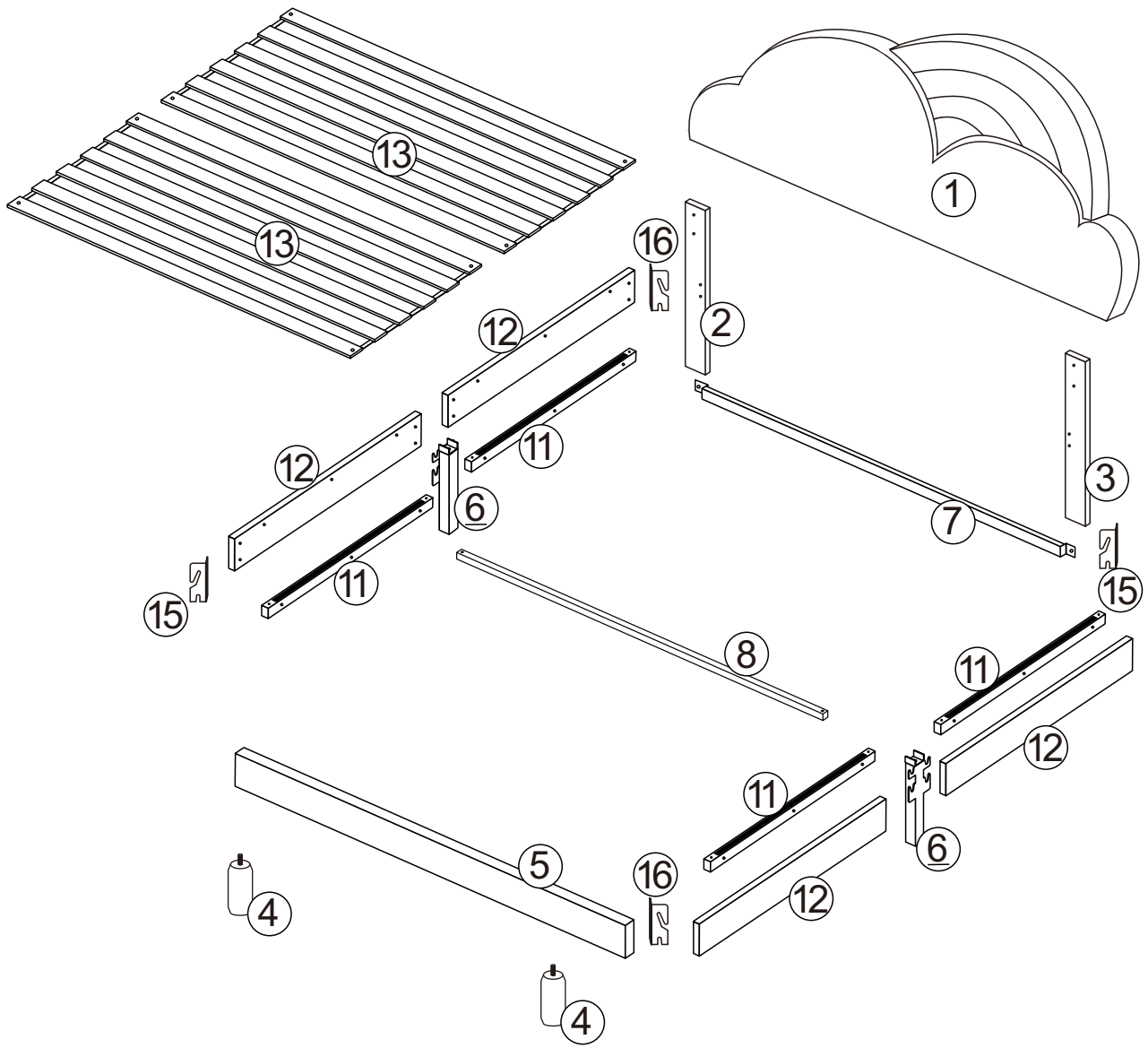


Assembly Instruction

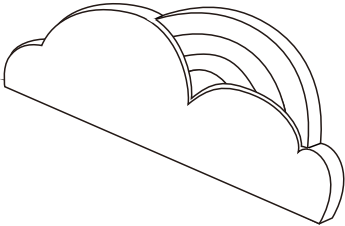



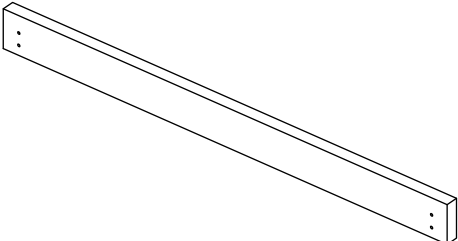

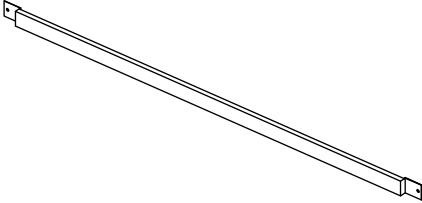
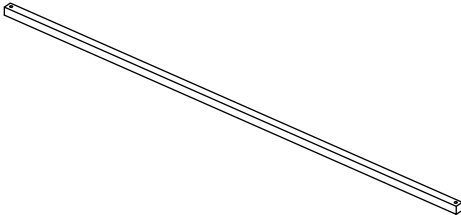
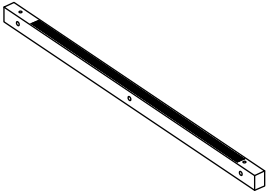
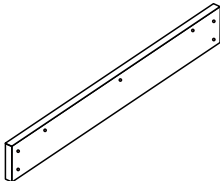
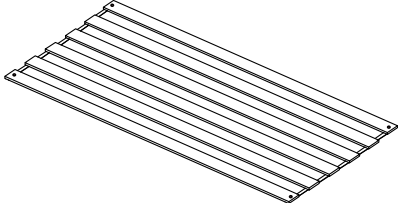
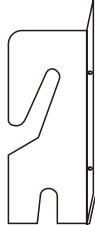
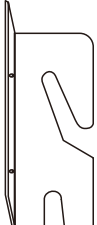
SKU: WF314544



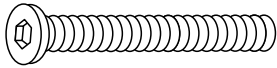
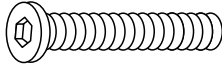

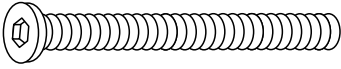





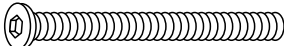
BED FRAME



Parts List for WF314544

<p>1</p>  <p>1PC</p>	<p>2</p>  <p>1PC</p>
<p>3</p>  <p>1PC</p>	<p>4</p>  <p>2PCS</p>
<p>5</p>  <p>1PC</p>	<p>6</p>  <p>2PCS</p>
<p>7</p>  <p>1PC</p>	<p>8</p>  <p>1PC</p>
<p>11</p>  <p>4PCS</p>	<p>12</p>  <p>4PCS</p>
<p>13</p>  <p>2PCS</p>	<p>15</p>  <p>2PCS</p>
<p>16</p>  <p>2PCS</p>	

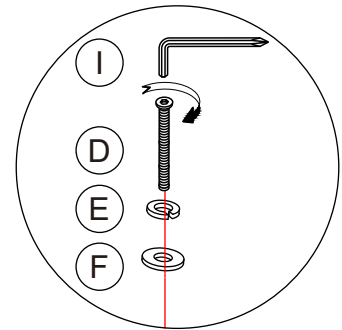
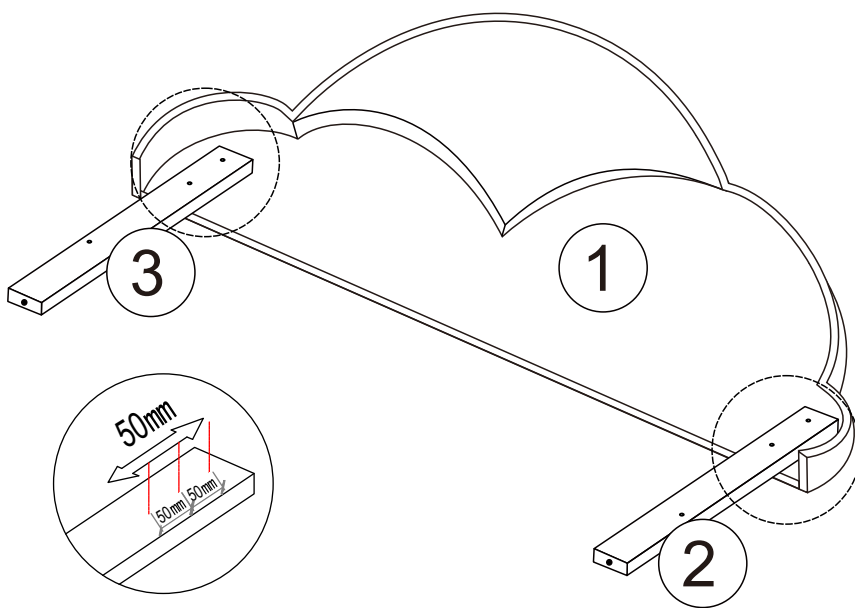
Hardware List for WF314544

<p>Ⓐ</p>  <p>M8*40mm</p> <p>2PCS</p>	<p>Ⓑ</p>  <p>M8*30mm</p> <p>10PCS</p>
<p>Ⓒ</p>  <p>M8*20mm</p> <p>16PCS</p>	<p>Ⓓ</p>  <p>M8*50mm</p> <p>4PCS</p>
<p>Ⓔ</p>  <p>M8</p> <p>30PCS</p>	<p>Ⓕ</p>  <p>Ø19mm</p> <p>30PCS</p>
<p>Ⓖ</p>  <p>M4*25mm</p> <p>8PCS</p>	<p>Ⓗ</p>  <p>M4</p> <p>1PC</p>
<p>Ⓘ</p>  <p>M5</p> <p>1PC</p>	<p>Ⓙ</p>  <p>M6*40mm</p> <p>12PCS</p>

Installation Steps

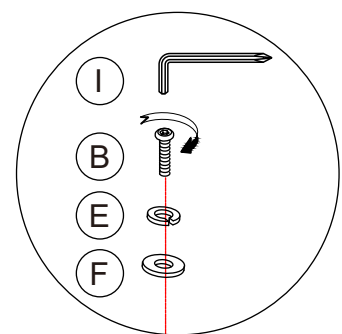
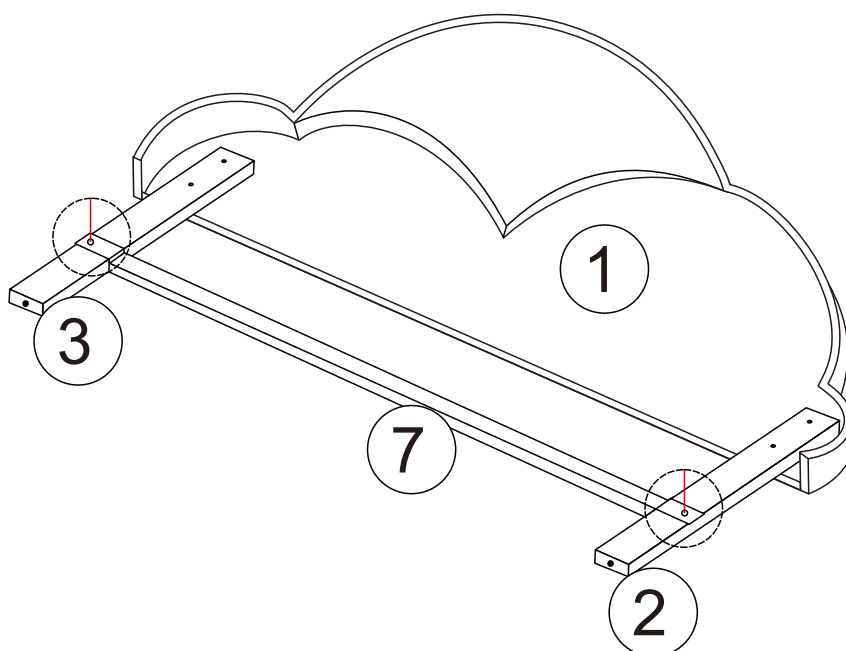
Before your installation, please make sure that you have all the parts listed in the manual. If you find something missing please do not hesitate in contacting us.

- 1** TIP:
The total Height of BED HEAD could be 97cm or 102 cm, the distance of hole site that you can choose.



	(D) x 4PCS
	(E) x 4PCS
	(F) x 4PCS
	(I) x 1PC

2

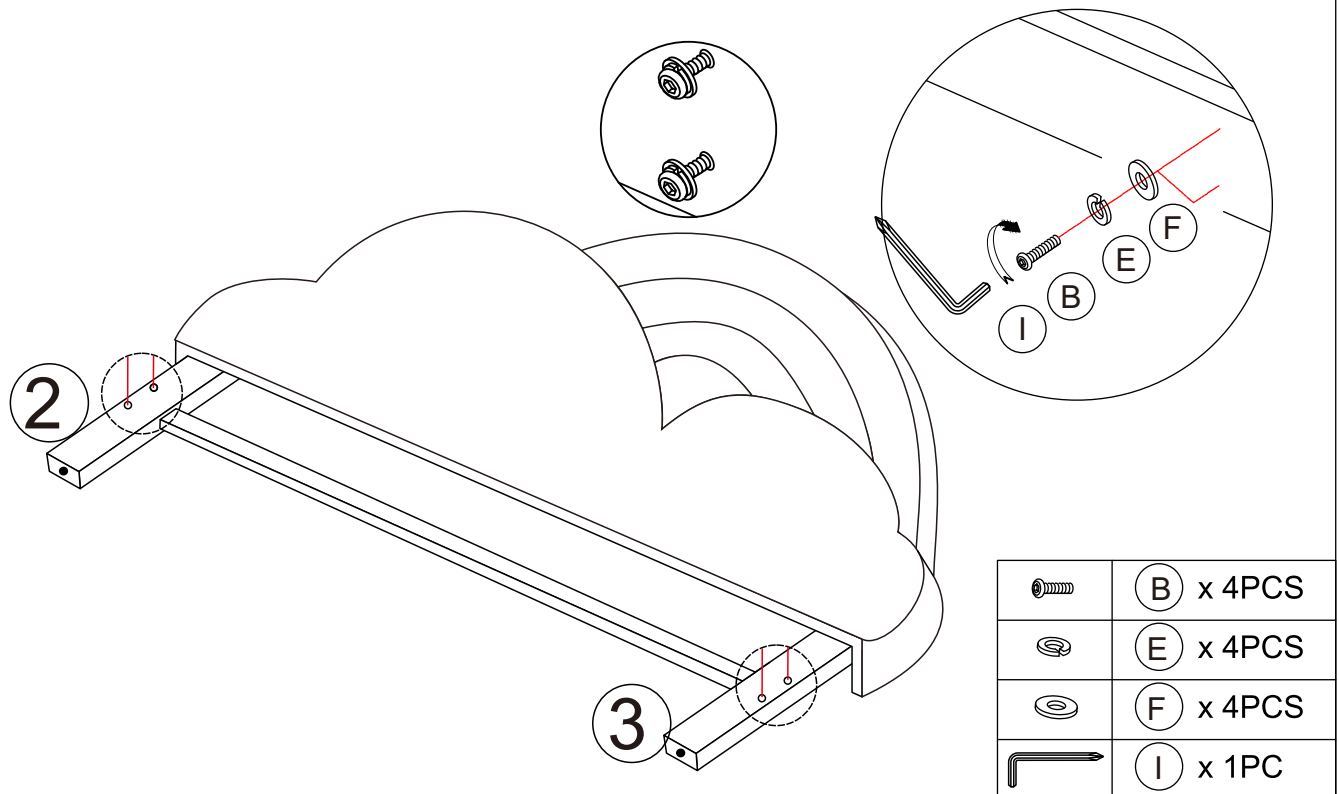


	(B) x 2PCS
	(E) x 2PCS
	(F) x 2PCS
	(I) x 1PC

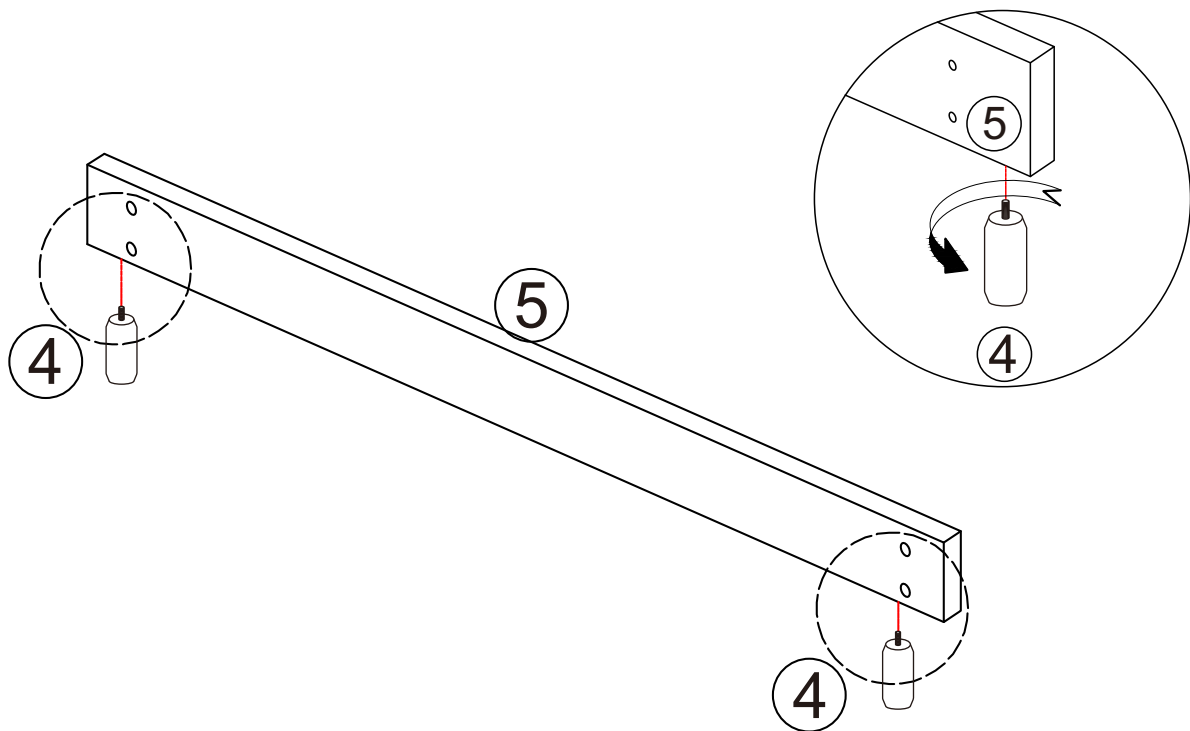
3

TIP:

Please do not lock tightly the screws on this step, only lock in the half as the picture.



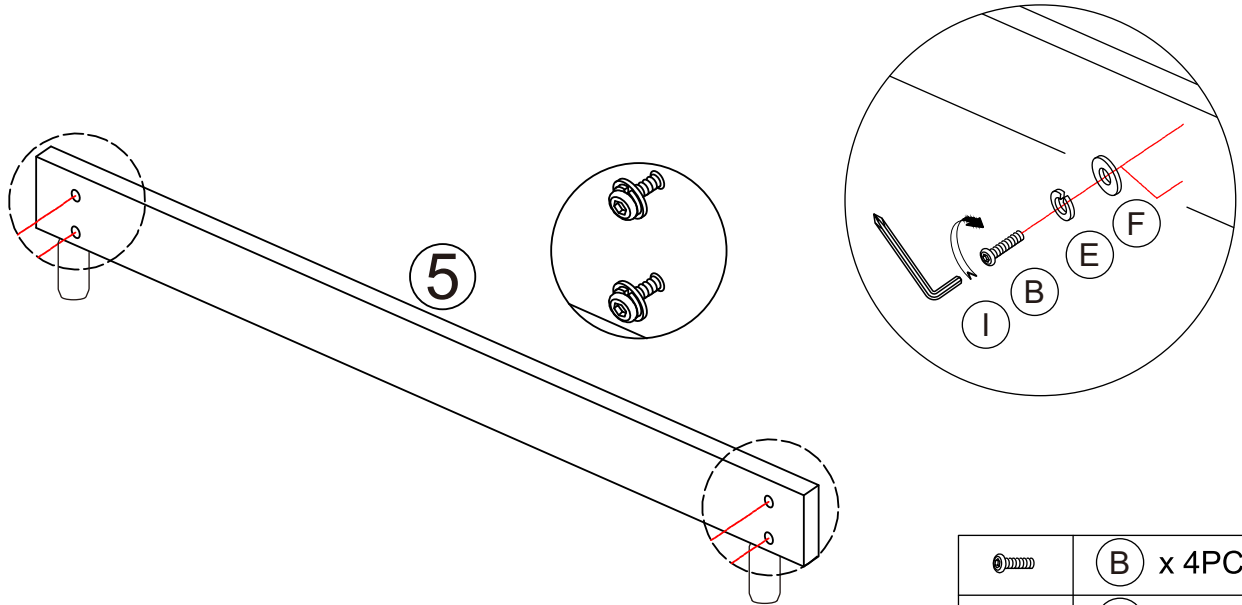
4







5

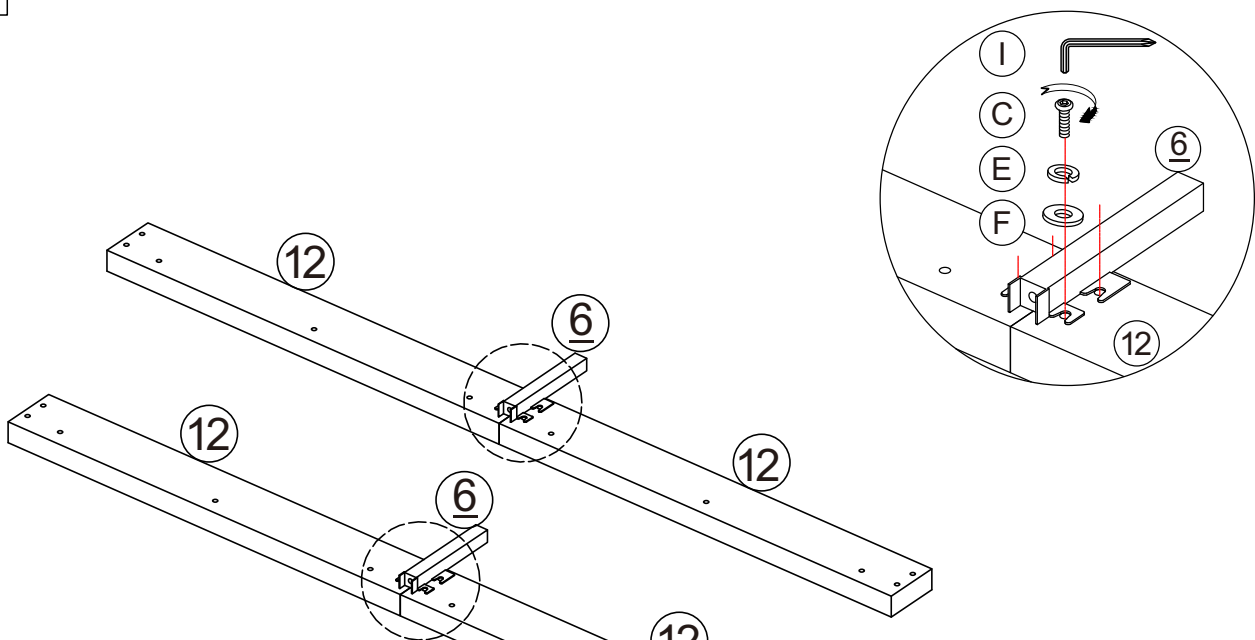
TIP:





Please do not lock tightly the screws on this step, only lock in the half as the picture.



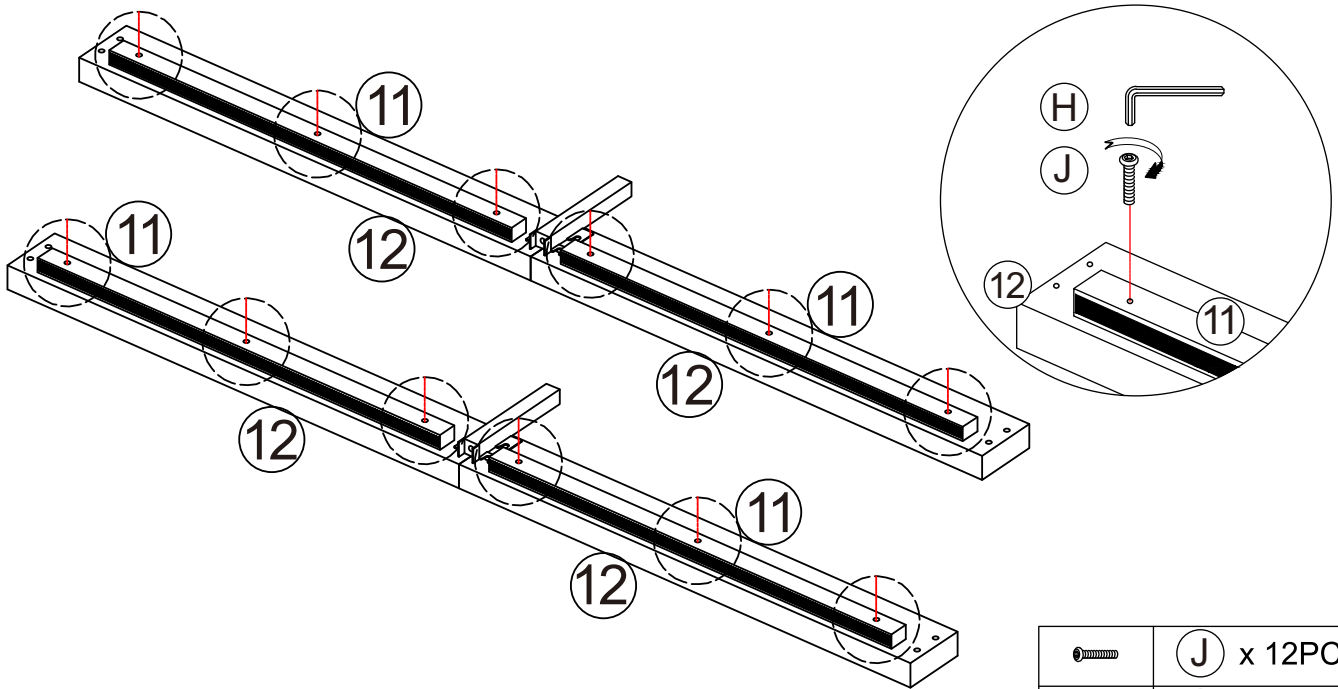
	(B) x 4PCS
	(E) x 4PCS
	(F) x 4PCS
	(I) x 1PC

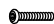

6



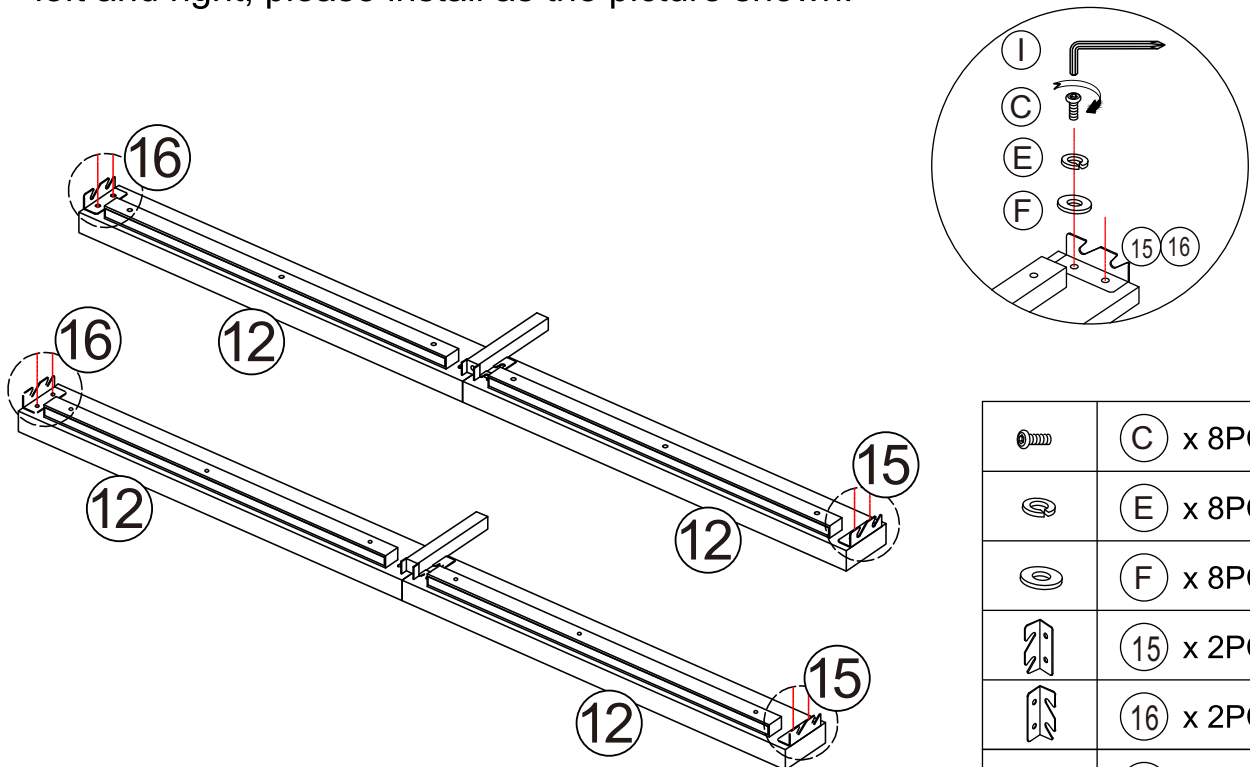
	(C) x 8PCS
	(E) x 8PCS
	(F) x 8PCS
	(I) x 1PC







7 TIP:
The position of the black label should face up as the picture shown.



	J x 12PCS
	H x 1PC

8 TIP:
The part "15" and "16" are different, they go in two directions: left and right, please install as the picture shown.

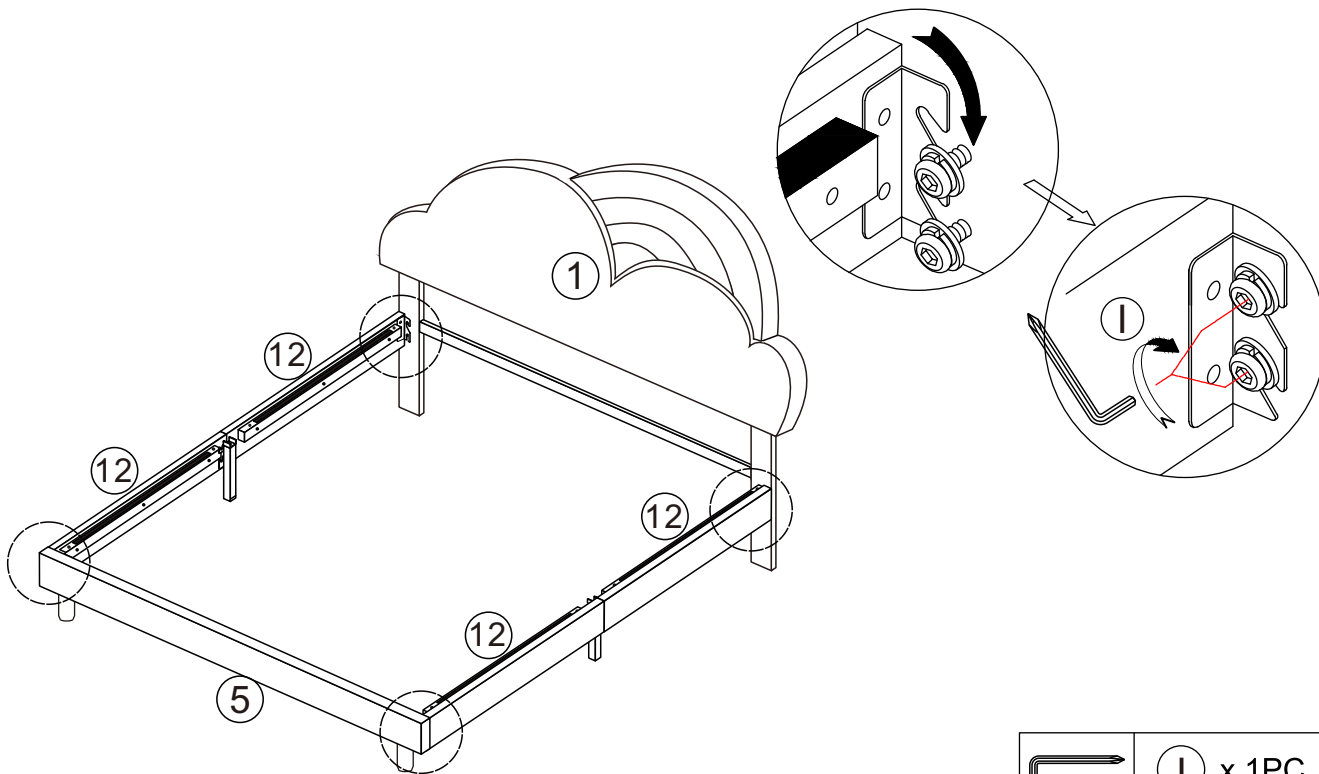



	C x 8PCS
	E x 8PCS
	F x 8PCS
	15 x 2PCS
	16 x 2PCS
	I x 1PC

9

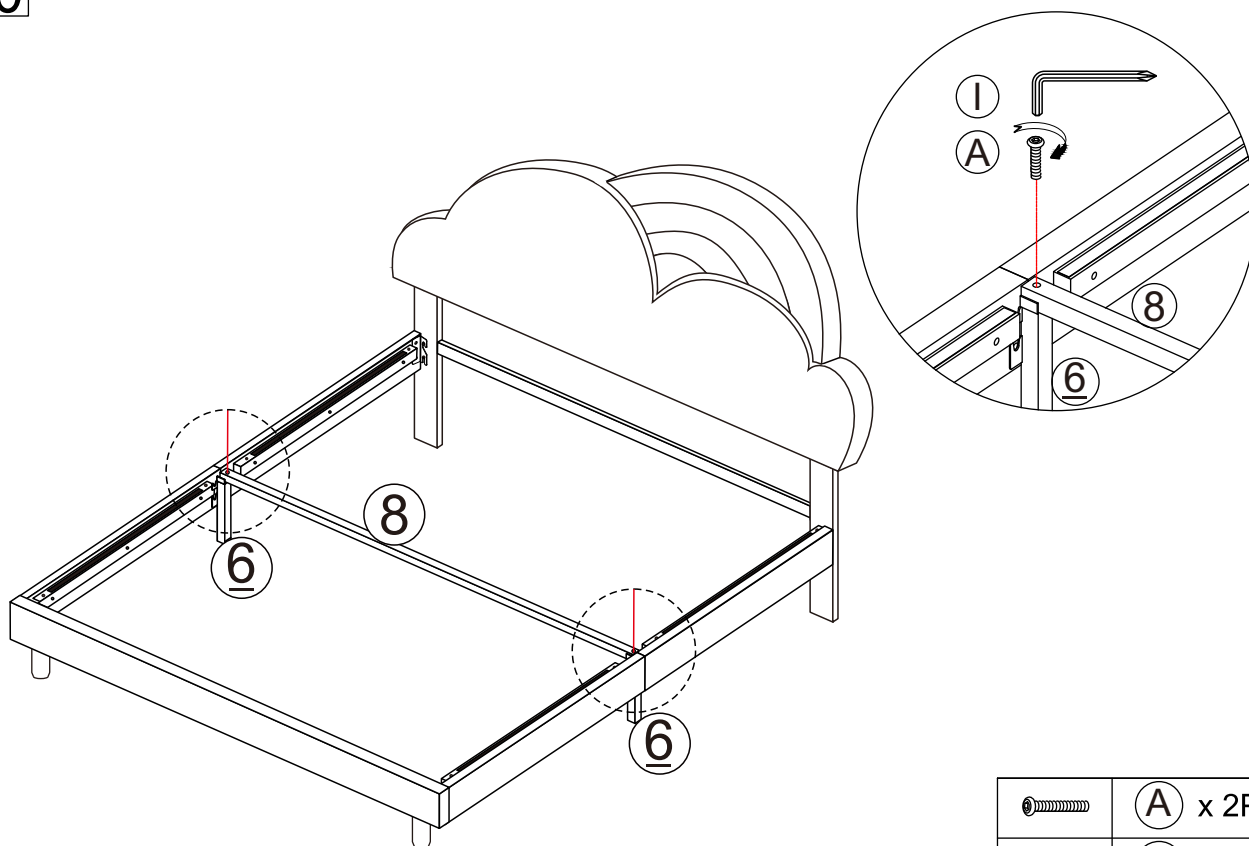
TIP:



After hanging the bedrail "12" on the head "1" and end of the bed "5", please lock the screws tightly.



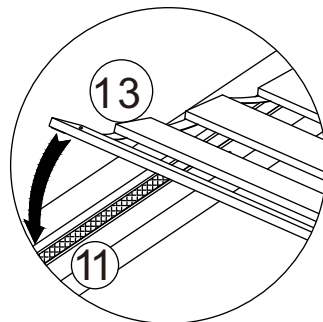
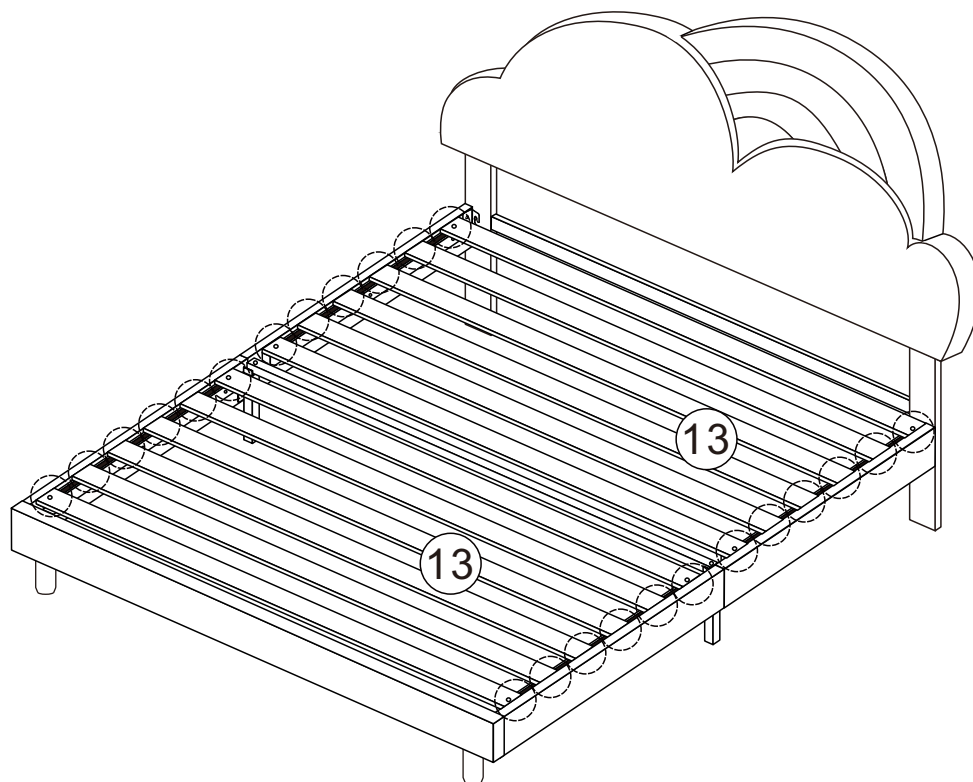
	Ⓛ x 1PC
---	---------

10

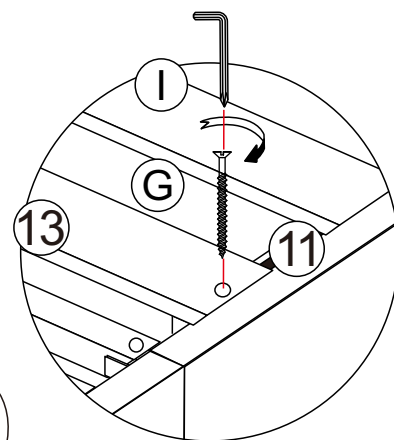
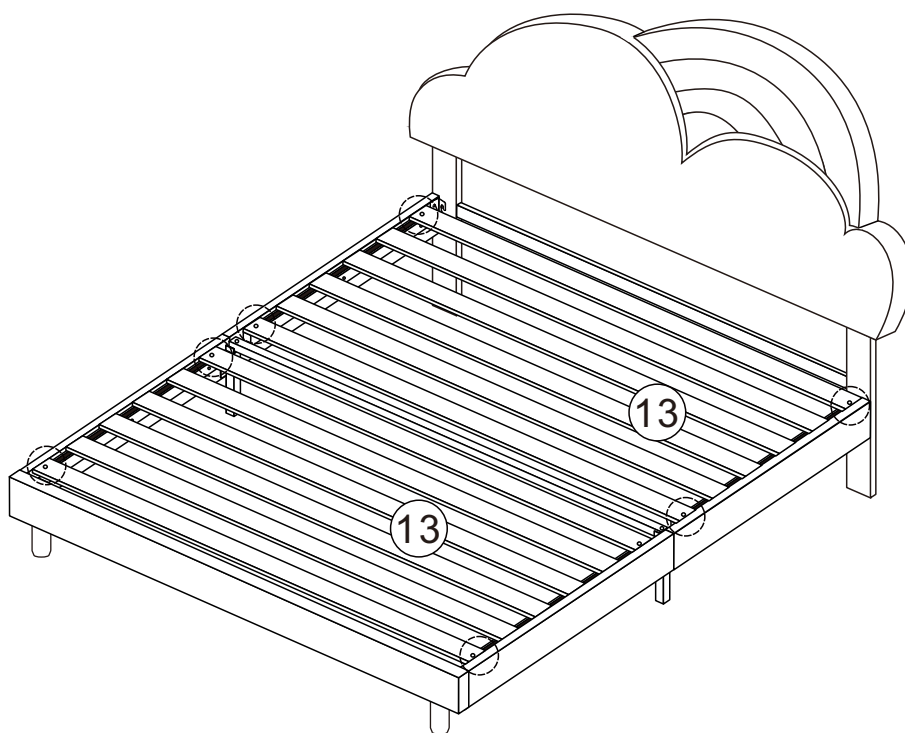




	Ⓐ x 2PCS
	Ⓛ x 1PC

12



13



	G x 8PCS
	I x 1PC