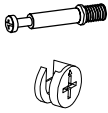


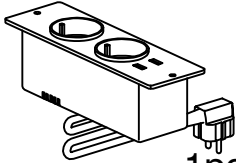

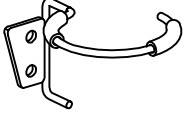
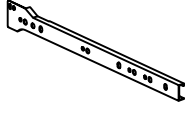
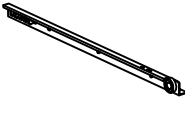
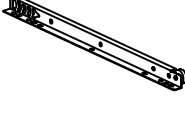
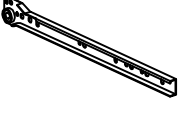
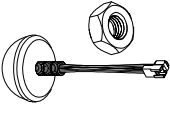
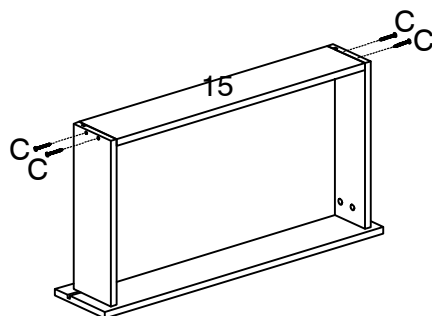
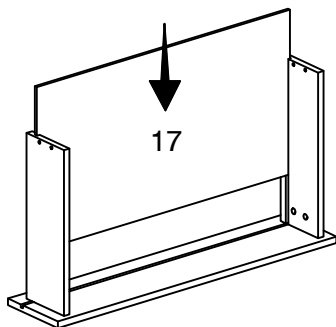
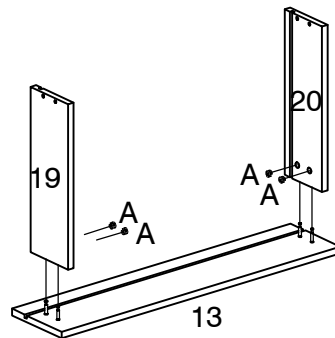
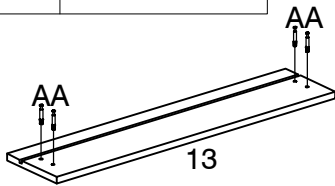
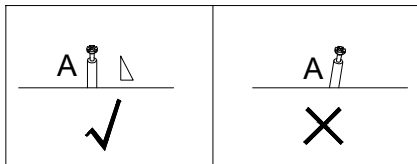


ASSEMBLY INSTRUCTION

P3

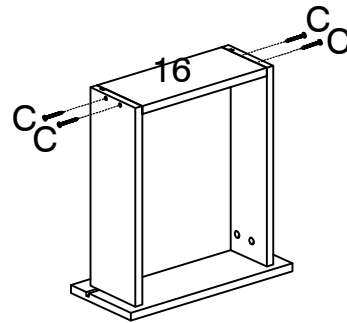
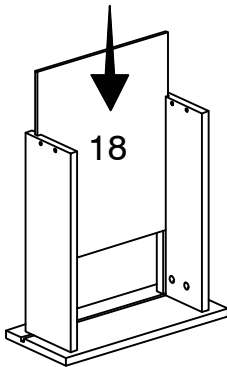
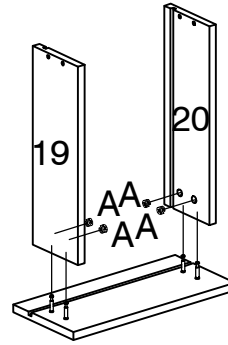
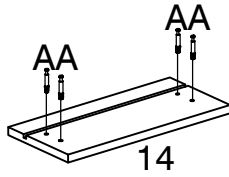
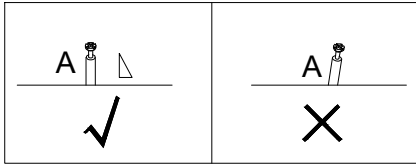
<p>A</p>  <p>22pcs</p>	<p>B</p>  <p>M4x10 20pcs</p>	<p>C</p>  <p>M4x30 44pcs</p>	<p>D</p>  <p>1pc</p>	<p>E</p>  <p>M6x30 6pcs</p>
<p>F</p>  <p>1pc</p>	<p>CR</p>  <p>2pcs</p>	<p>DR</p>  <p>2pcs</p>	<p>DL</p>  <p>2pcs</p>	<p>CL</p>  <p>2pcs</p>
<p>G</p>  <p>12pcs</p>				

1



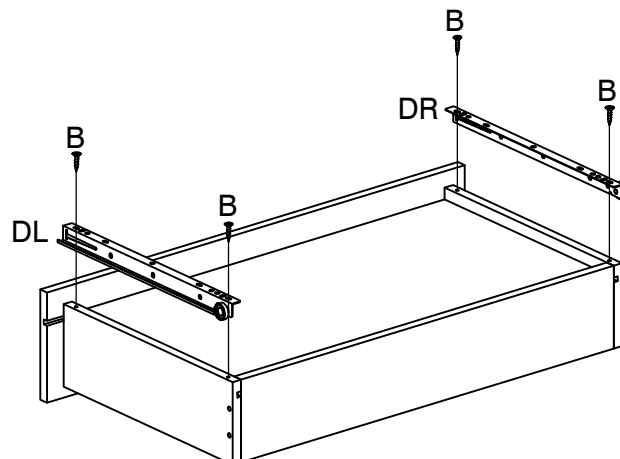
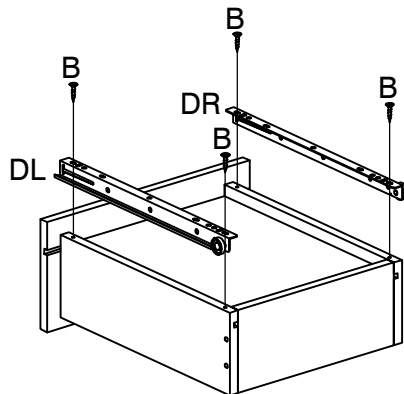
A	x4
C	x4

2



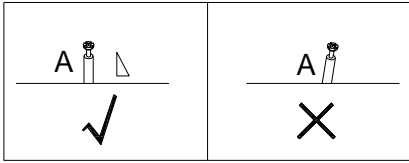
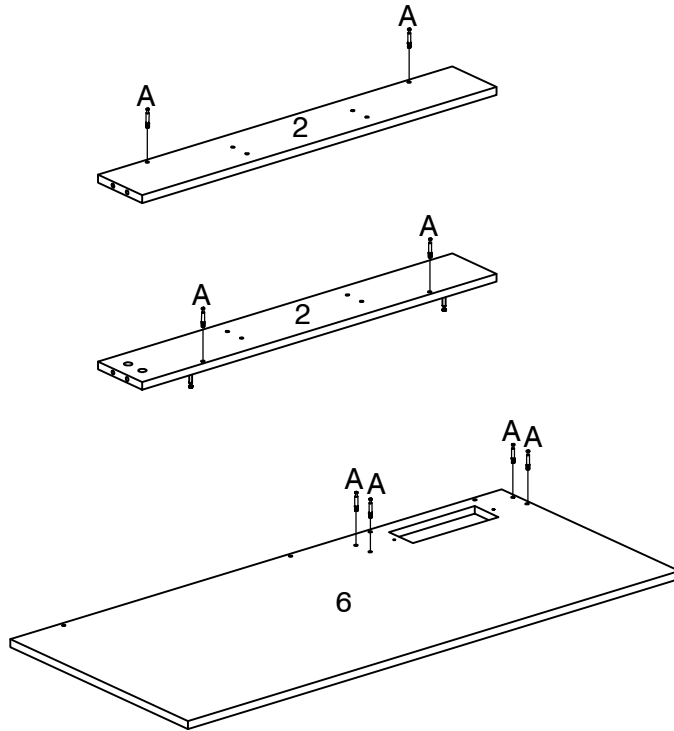
A	x4
C	x4

3



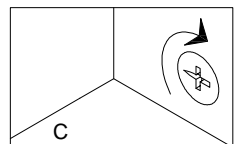
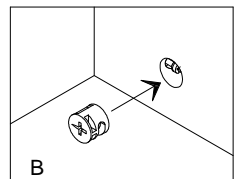
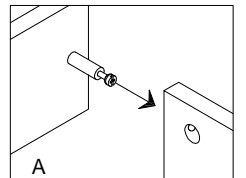
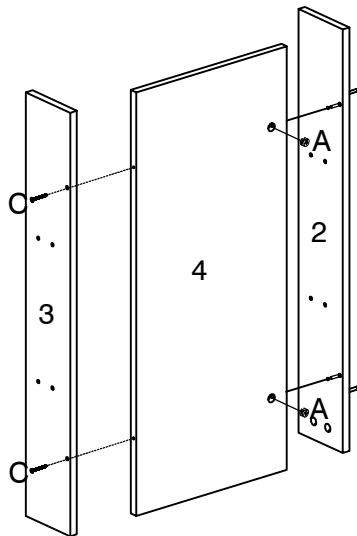
B	x8
D	x2L
DR	x2

4



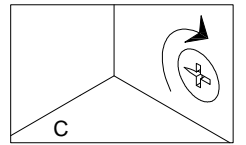
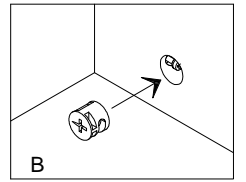
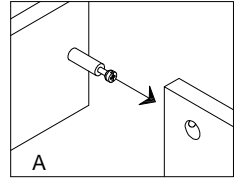
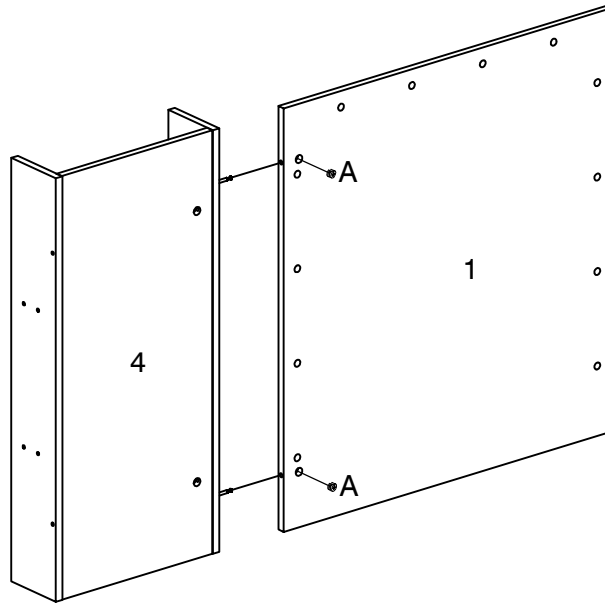
A x8

5

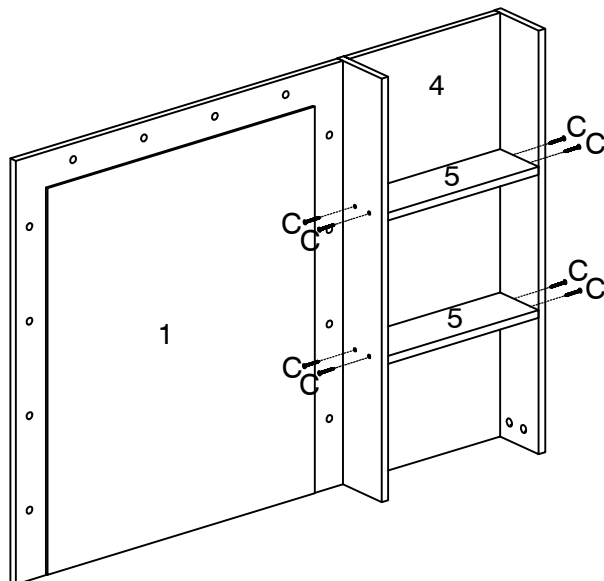


C x2

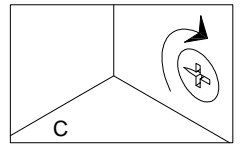
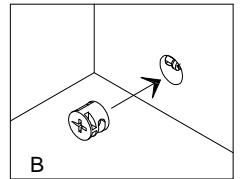
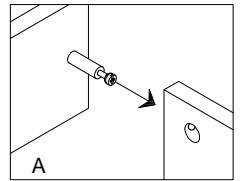
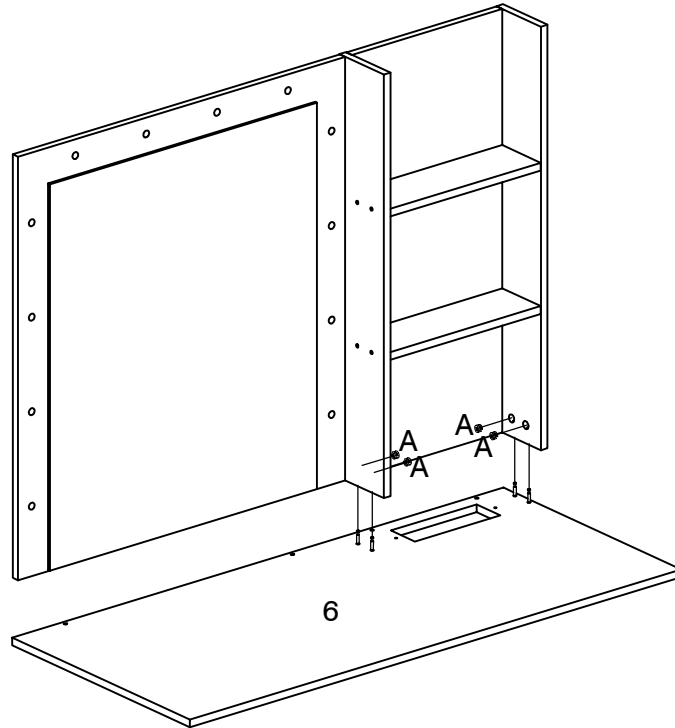
6



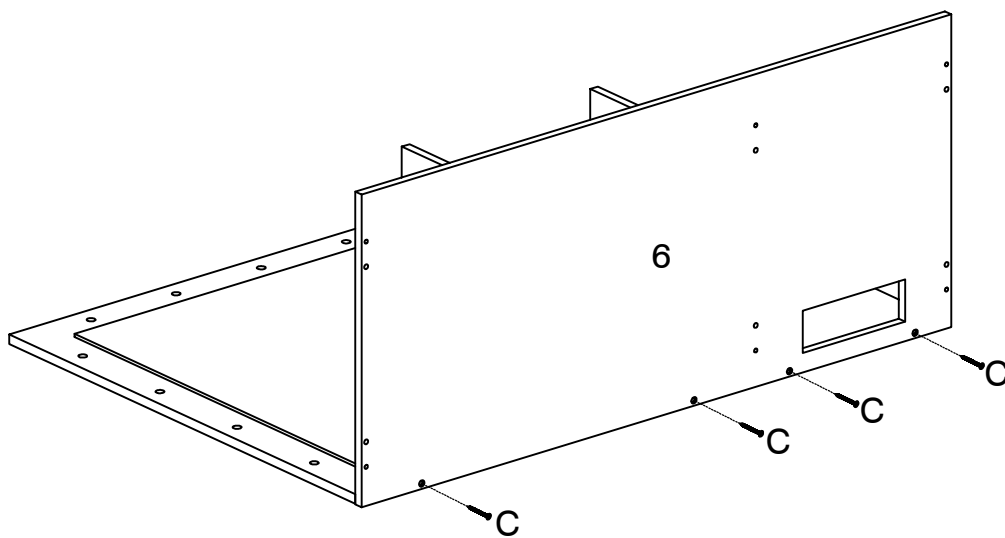
7



8

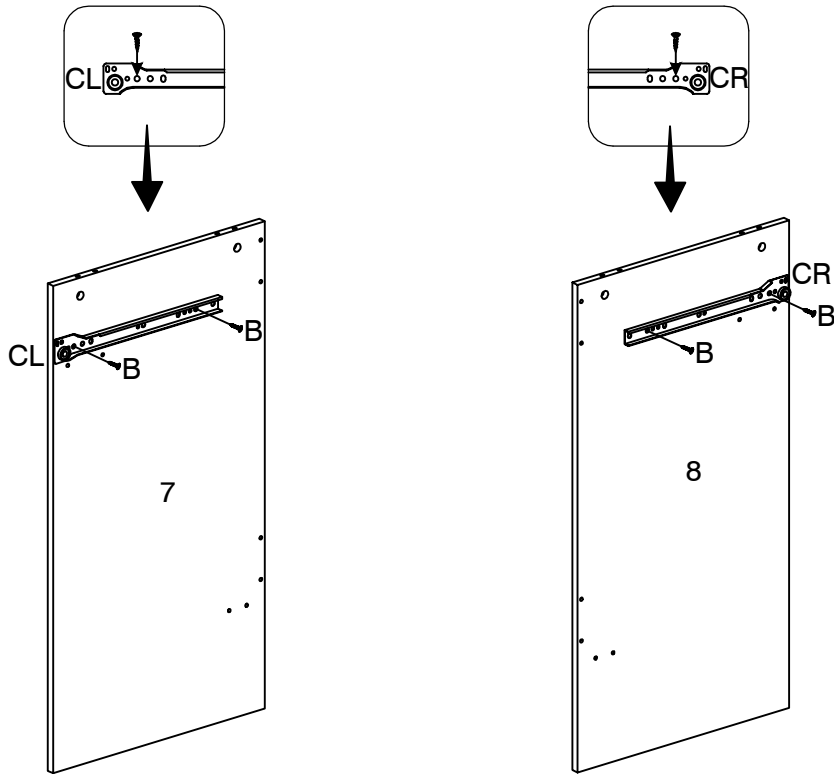


9



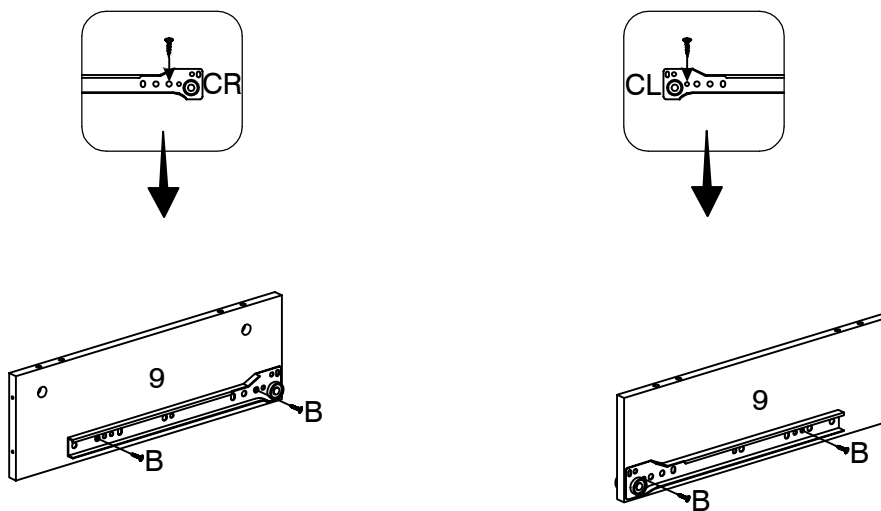
C x4

10



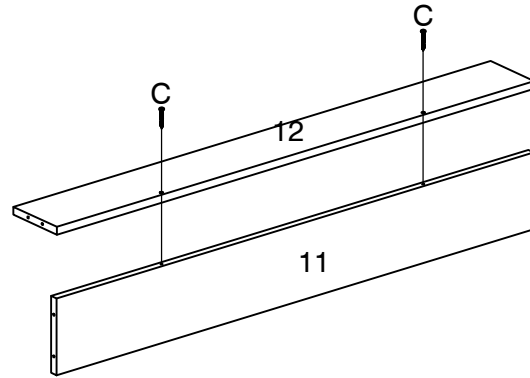
B	x4
CL	x1
CR	x1

11



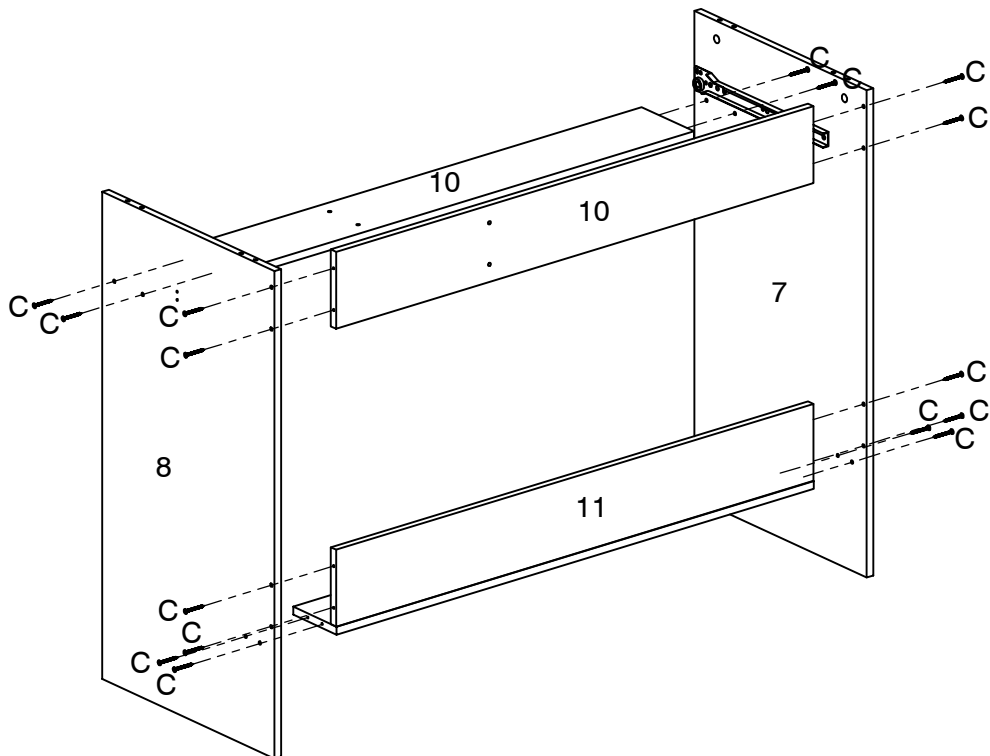
B	x4
CL	x1
CR	x1

12



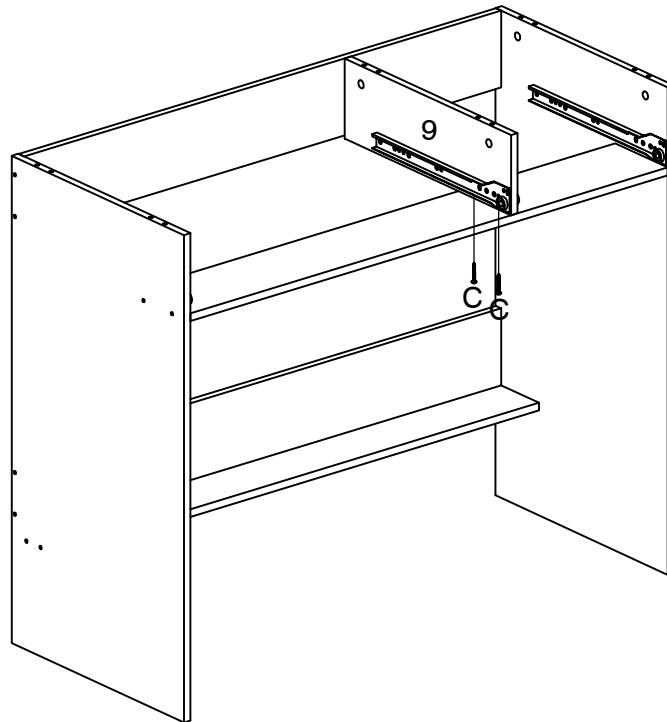
C x2

13



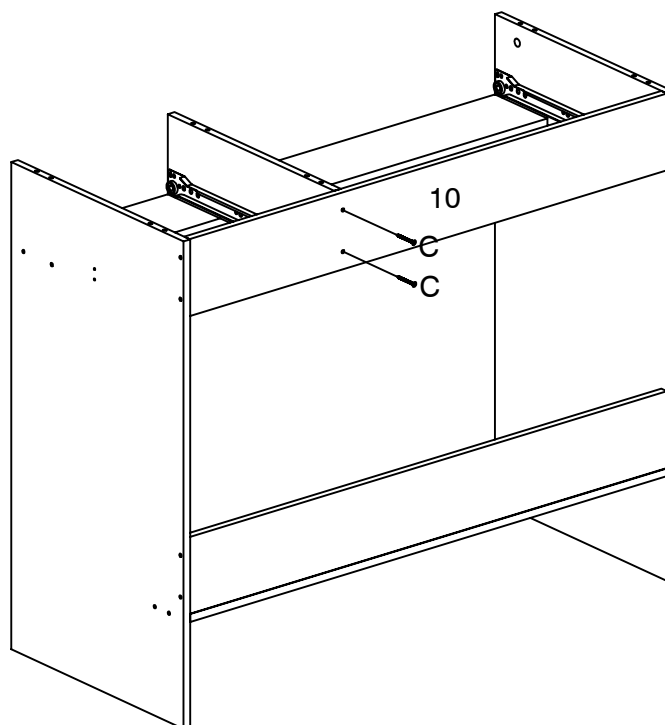
C x16

14



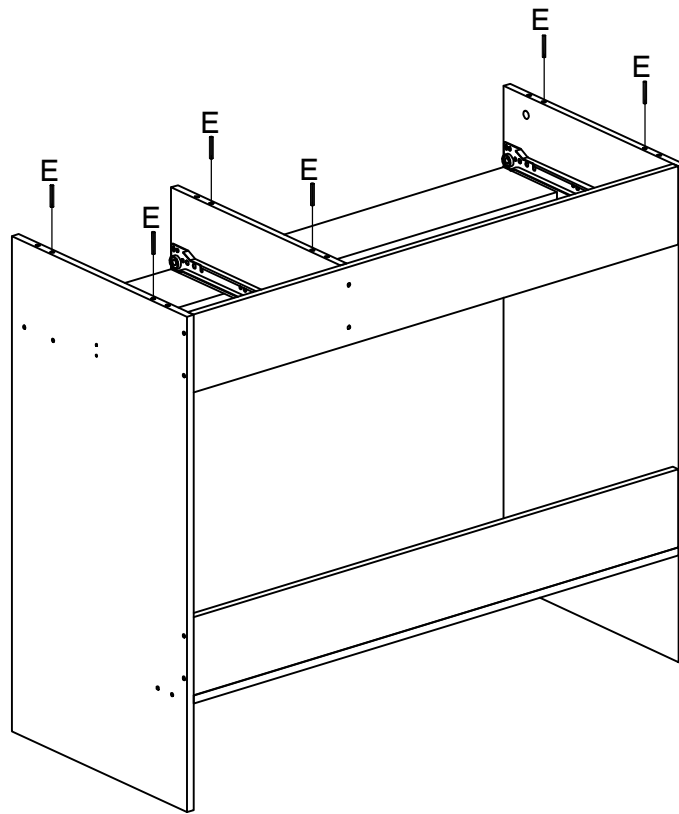
C x2

15



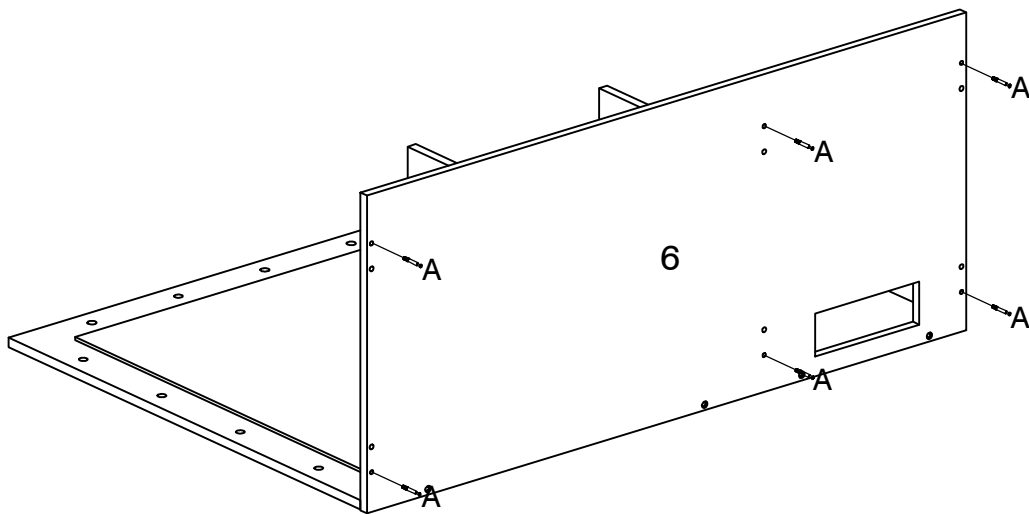
C x2

16



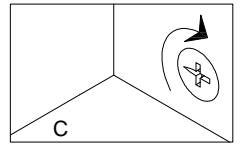
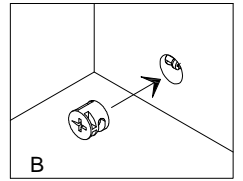
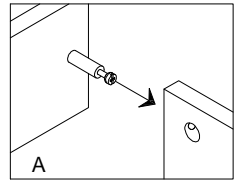
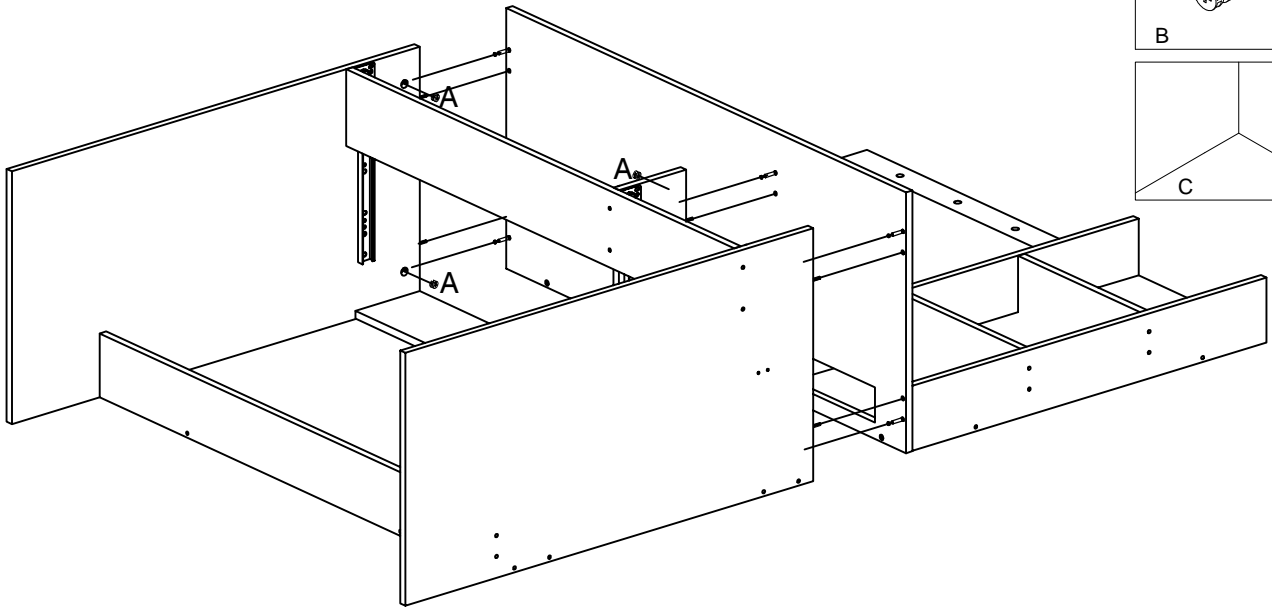
E x6

17

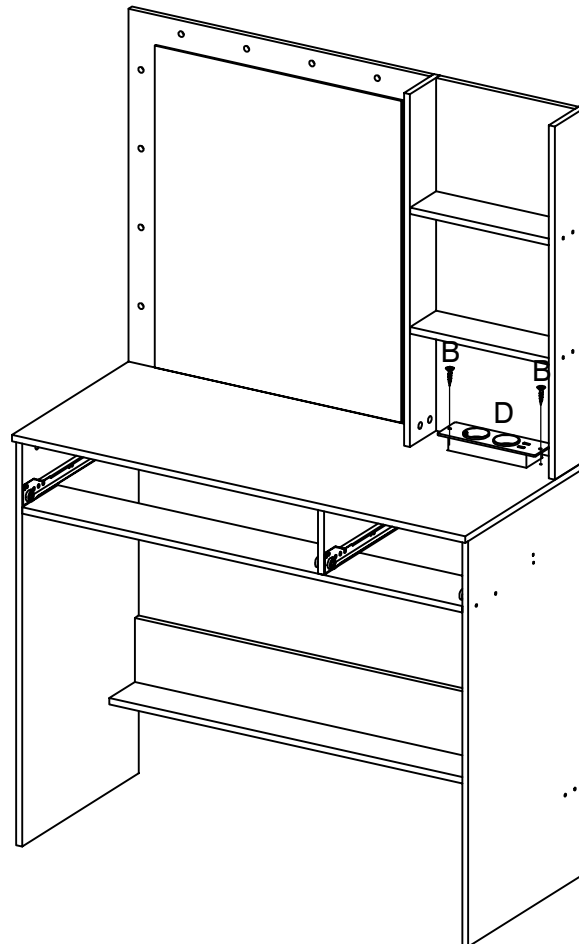


A x6

18

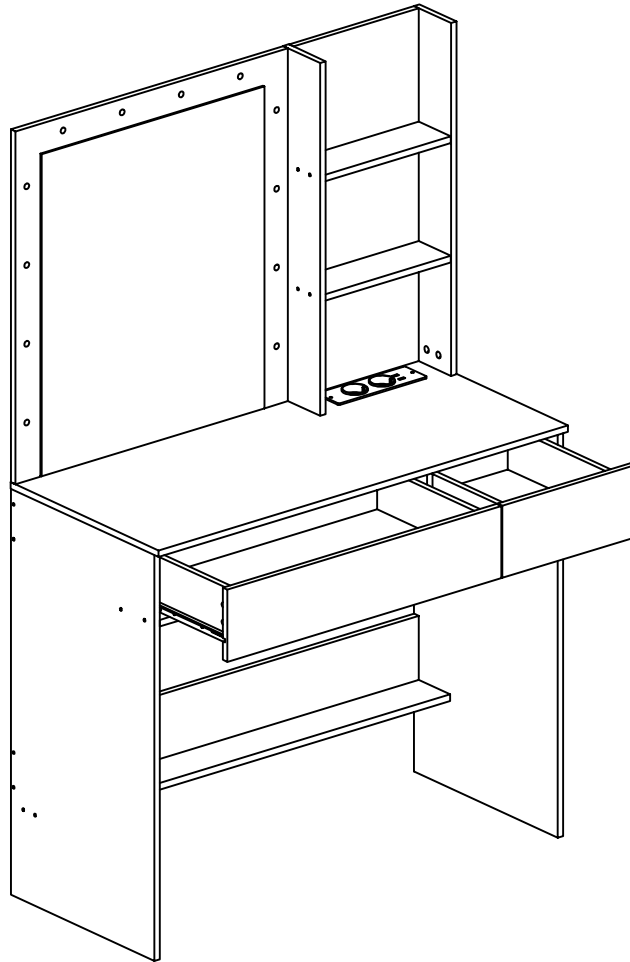


19

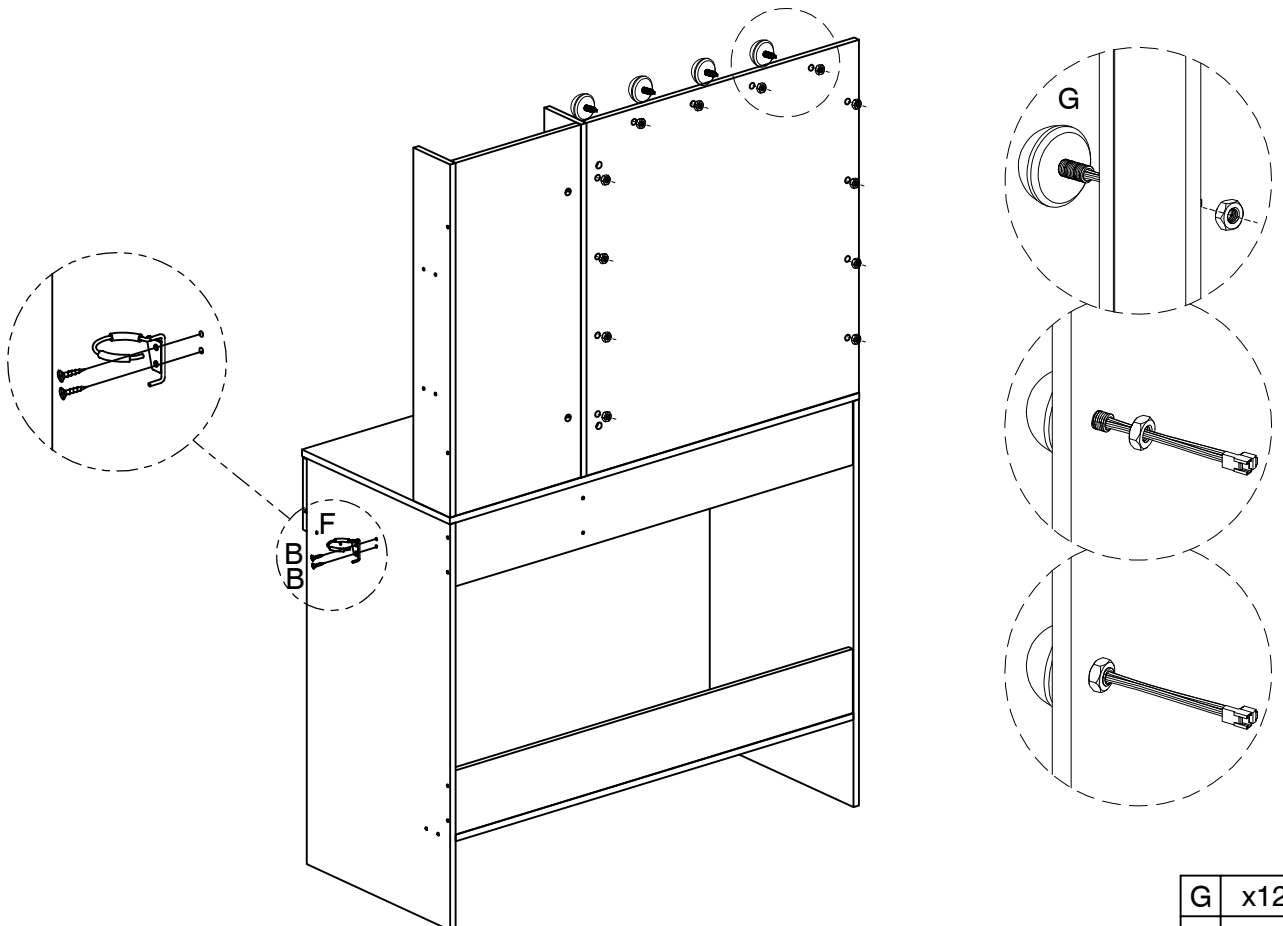


B	x2
D	x1

20

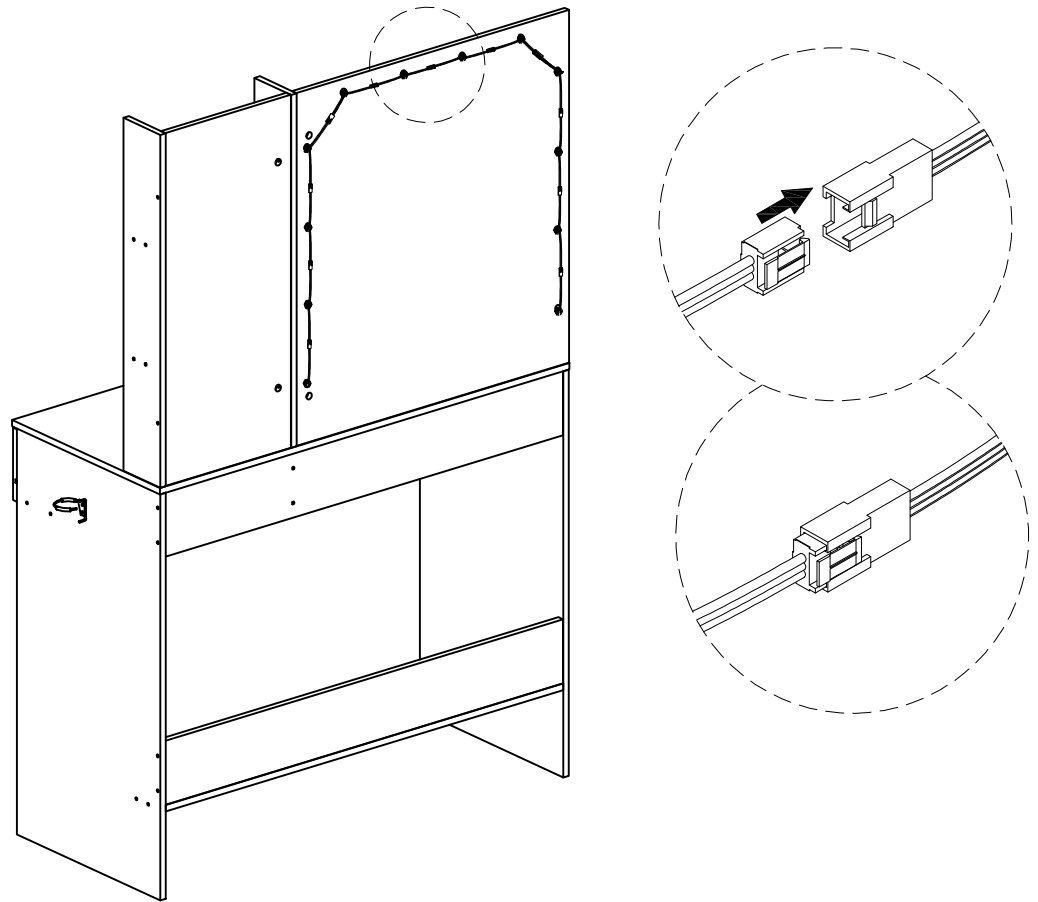


21



G	x12
B	x2
F	x1

21



22

