

# JERIK

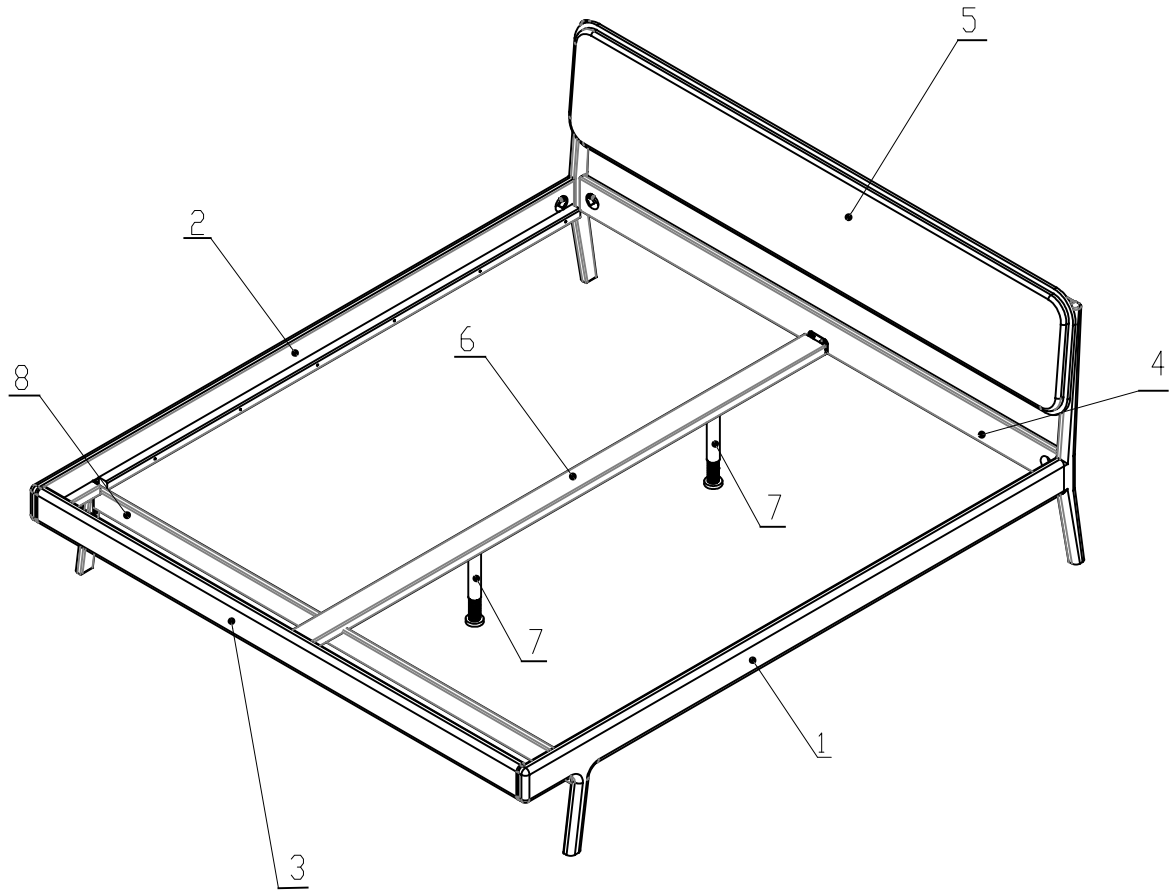
22-591-19U

22-695-19U

22-691-19U

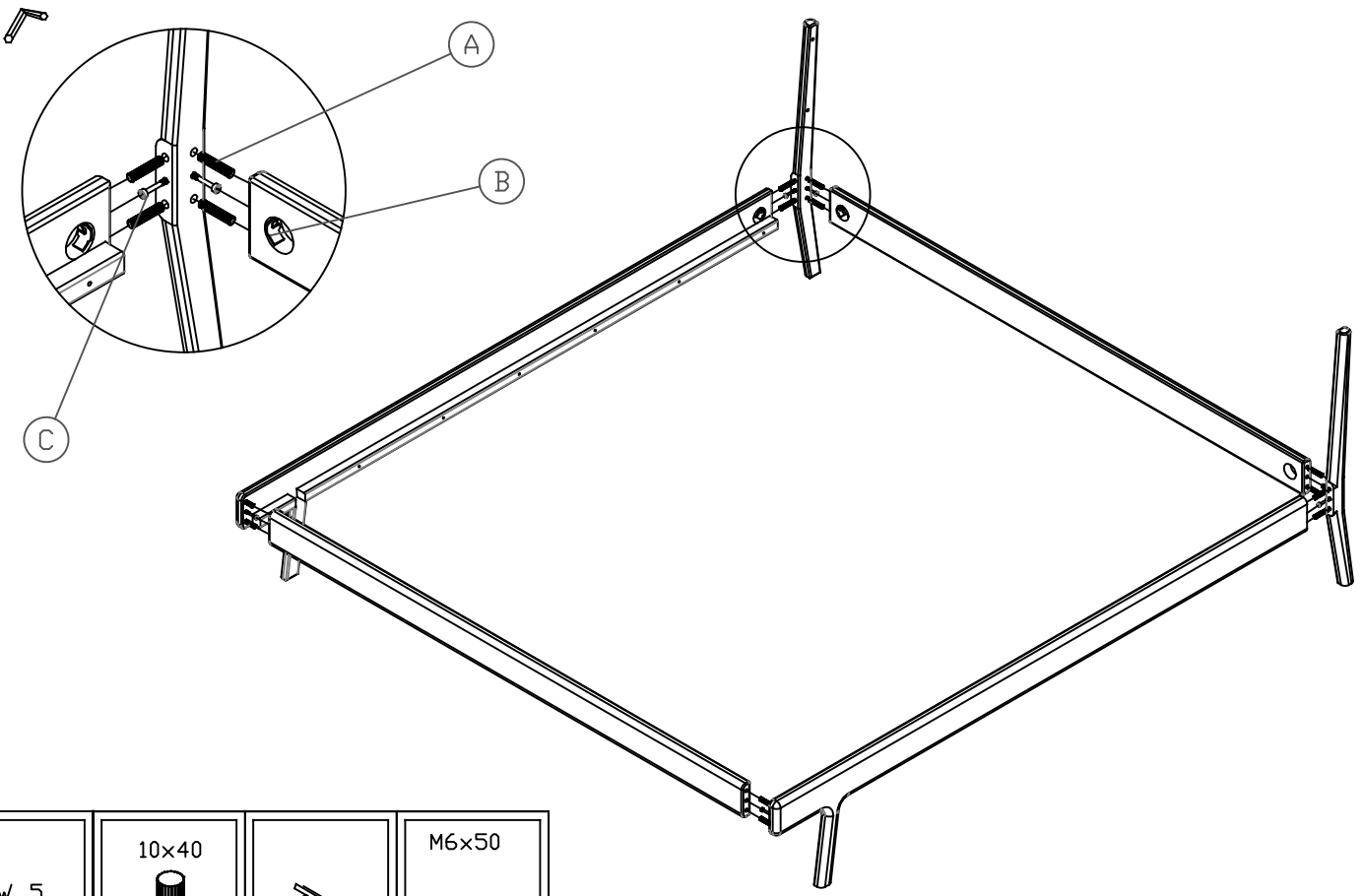



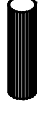


40 Minutes



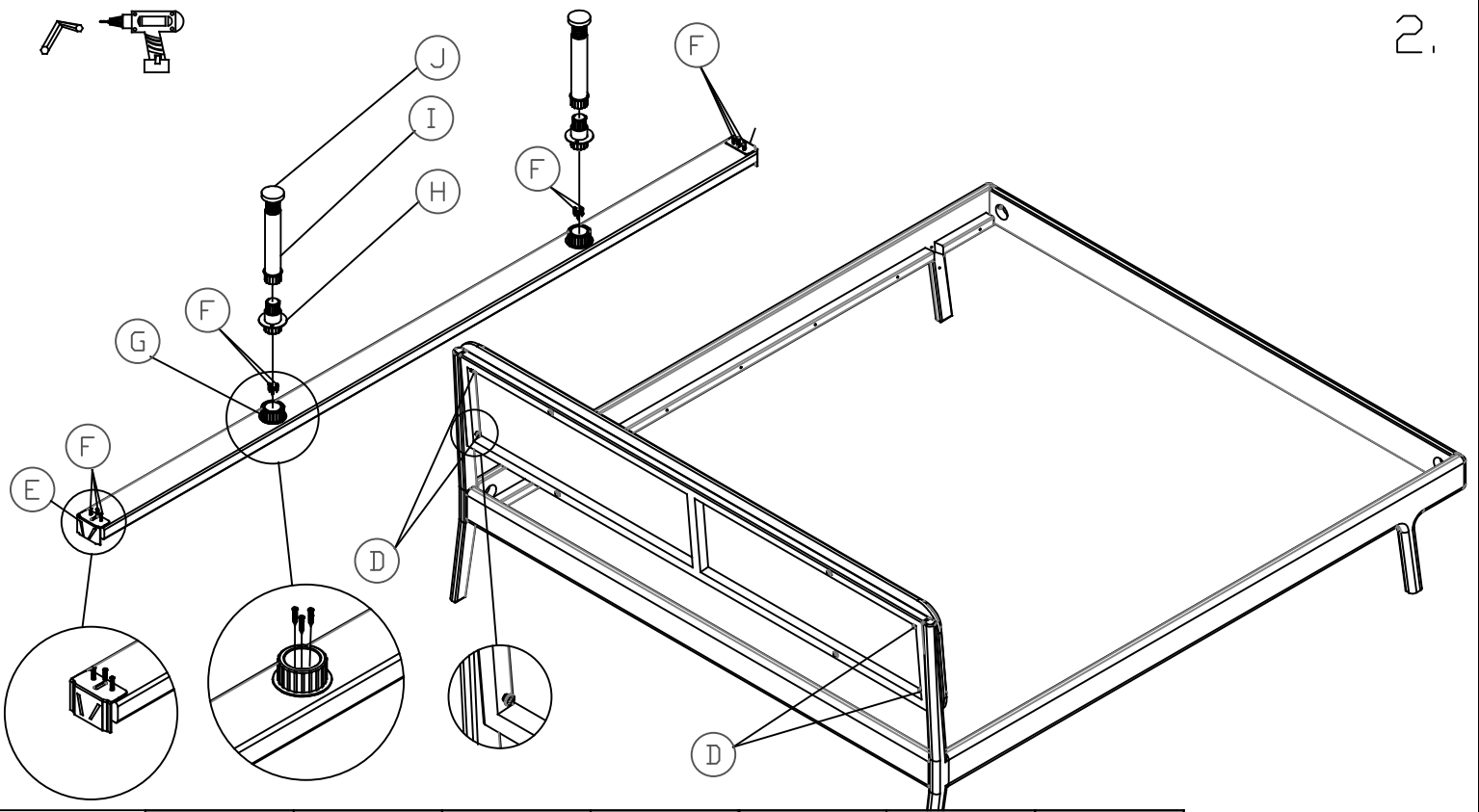
<p>SW 5</p>	<p>10x40 Ax12</p>	<p>Bx6</p>	<p>M6x50 Cx6</p>	<p>M6x50 Dx4</p>	<p>SW 4</p>	<p>Ex2</p>	<p>3,5x16 Fx20</p>	<p>Gx2</p>	<p>Hx2</p>
<p>Ix2</p>	<p>Jx2</p>	<p>Kx2</p>	<p>3,5x25 Lx8</p>	<p>110x19x3 Mx2</p>					


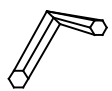



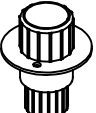
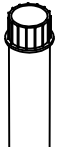
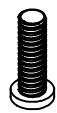
1.



 <p>SW 5</p>	<p>10x40</p>  <p>Ax12</p>	 <p>Bx6</p>	<p>M6x50</p>  <p>Cx6</p>
--	---	---	--

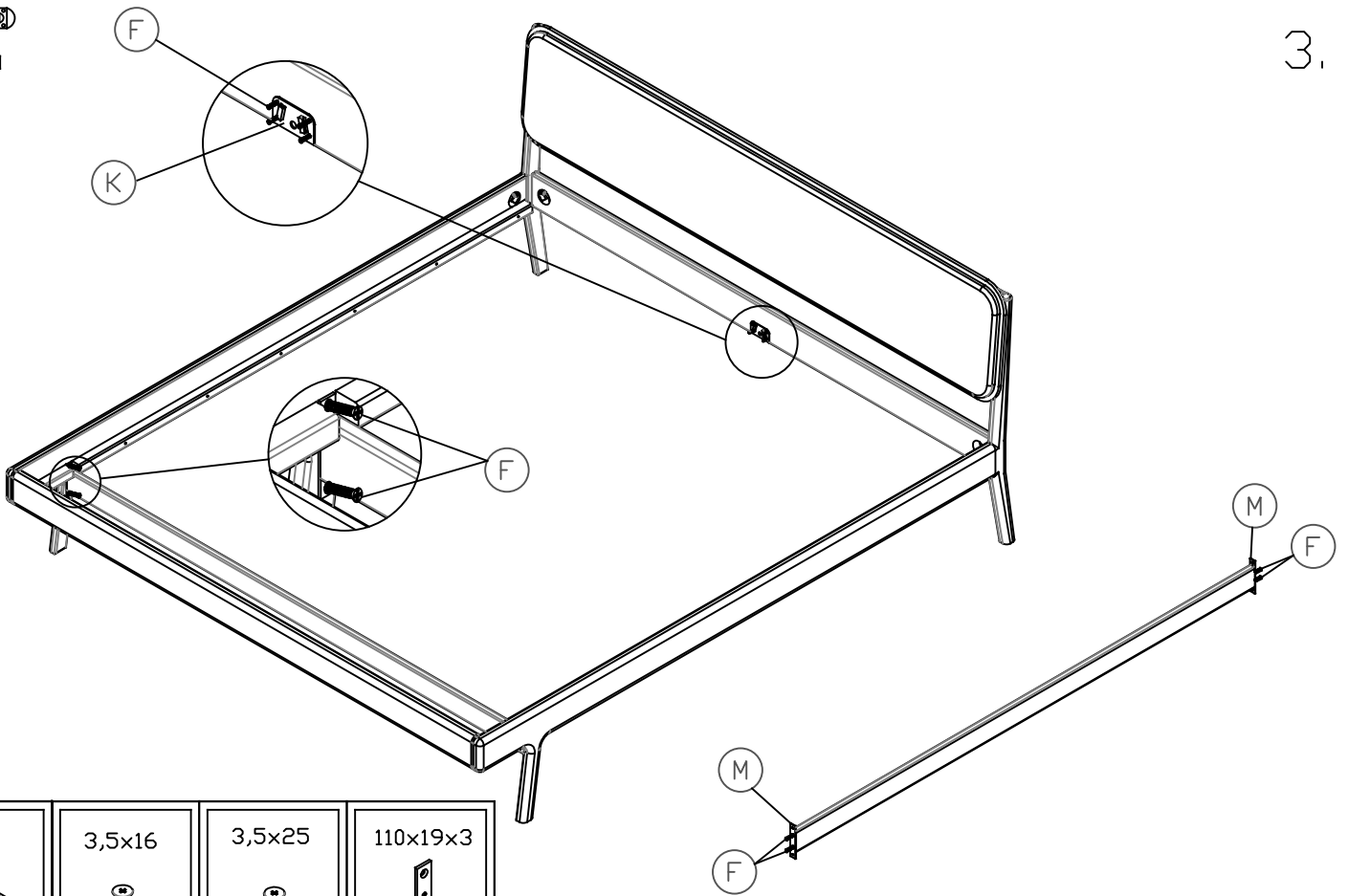
2.

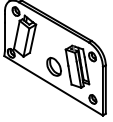


<p>M6x50</p>  <p>Dx4</p>	<p>SW 4</p> 	 <p>Ex2</p>	<p>3,5x16</p>  <p>Fx12</p>	 <p>Gx2</p>	 <p>Hx2</p>	 <p>Ix2</p>	 <p>Jx2</p>
--	---	--	---	--	--	---	--



3.



	3,5x16	3,5x25	110x19x3
Kx2	Fx8	Lx8	Mx2

4.

