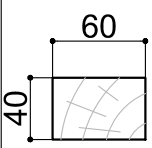

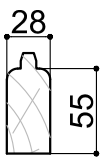
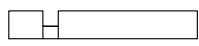

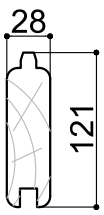


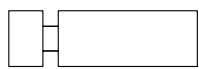

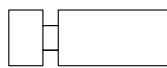
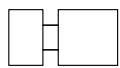
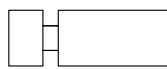
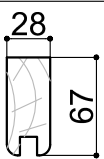

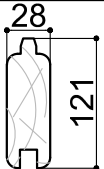

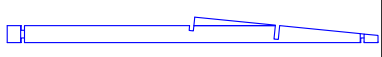
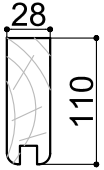
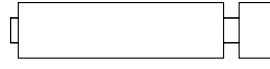

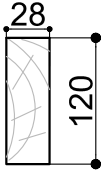
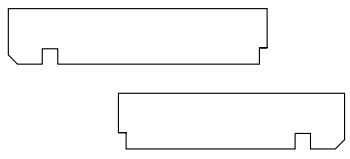
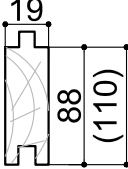
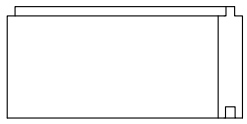
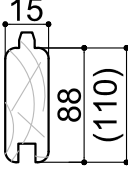
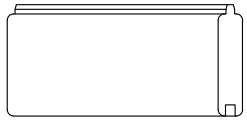
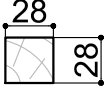
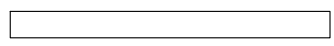
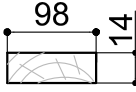




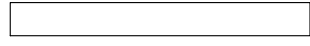
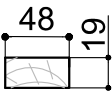
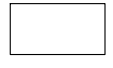
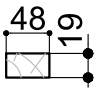
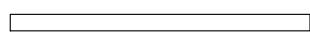
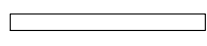
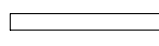
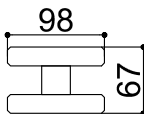

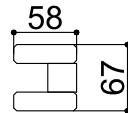
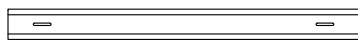
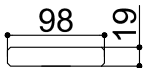

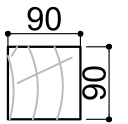
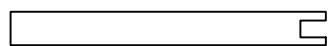
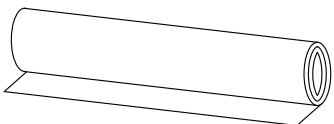
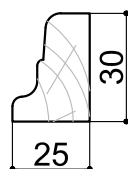

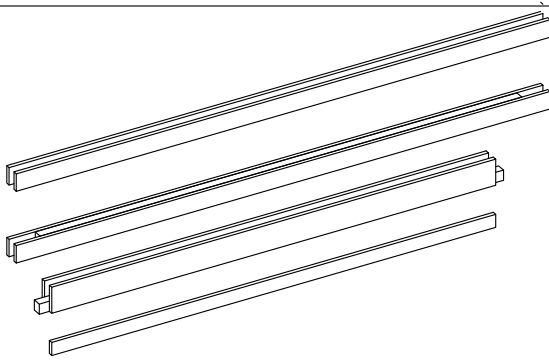
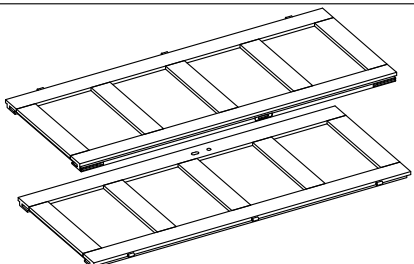

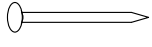
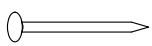
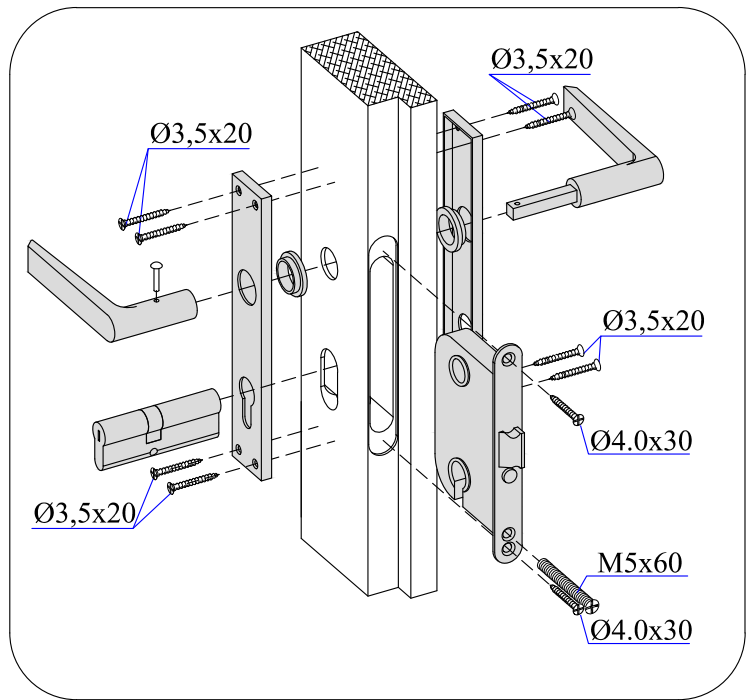


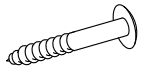
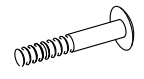


| Dim. | Skizze | Pos. | Länge (mm) | Stck. | Name | Ref. | |
|---|---|---|------------|-------|--------------------|--------------|--------|
|  |  | ① | 2800 | 2 | Fundamentbalken | 283001 | |
| | | ② | 2100 | 6 | Fundamentbalken | 283007 | |
| | | ③ | 2300 | 1 | Fundamentbalken | 283012 | |
| | | ④ | 365 | 1 | Fundamentbalken | 283129 | |
|  |  | ⑤ | 692 | 2 | Front Brett | 280254 | |
| | |  | ⑥ | 2980 | 1 | Zurück Brett | 280006 |
| | | | ⑫ | 2265 | 1 | Zurück Brett | 280256 |
|  |  | ⑦ | 2400 | 33 | Seiten Brett | 280019 | |
| |  | ⑧ | 2980 | 15 | Zurück Brett | 280007 | |
| |  | ⑨ | 692 | 34 | Front Brett | 280255 | |
| |  | ⑩ | 2265 | 15 | Zurück Brett | 280257 | |
| |  | ⑪ | 515 | 15 | Seiten Brett | 280089 | |
| |  | ⑬ | 285 | 1 | Front Brett | 280077 | |
| |  | ⑭ | 515 | 1 | Front Brett | 280089 | |
|  |  | ⑰ | 637 | 3 | Seiten Brett | 282059 | |
|  |  | ⑯ | 1186 | 3 | Seiten Brett | 282060 | |
| |  | ⑮ | 2400 | 3 | Seiten Brett | 282061 | |
|  |  | ⑱ | 2880 | 2 | Front/zurück Brett | 281062 | |
| |  | ⑲ | 2400 | 2 | Front/zurück Brett | 281063 | |

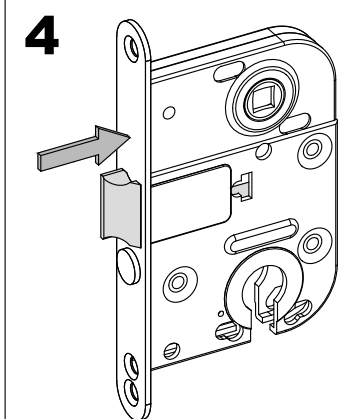
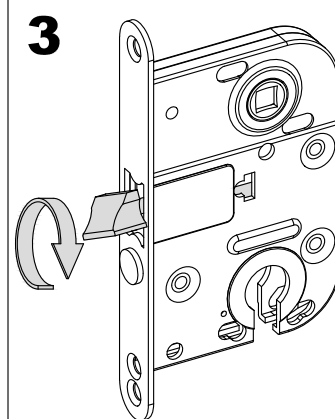
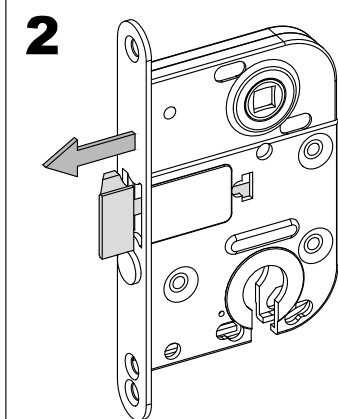
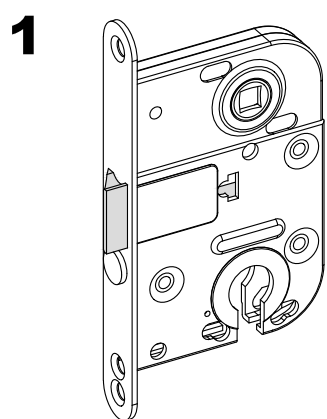
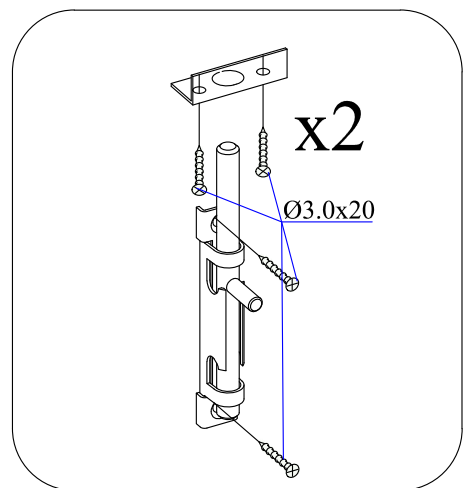
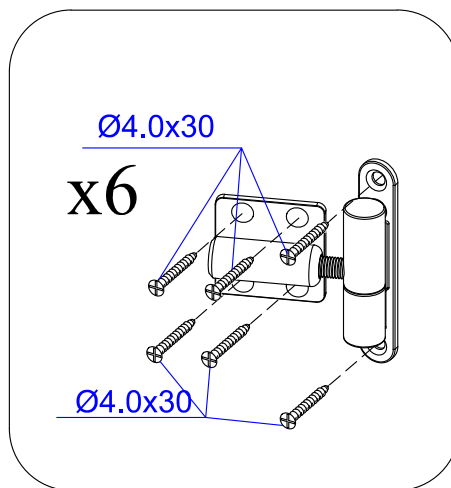
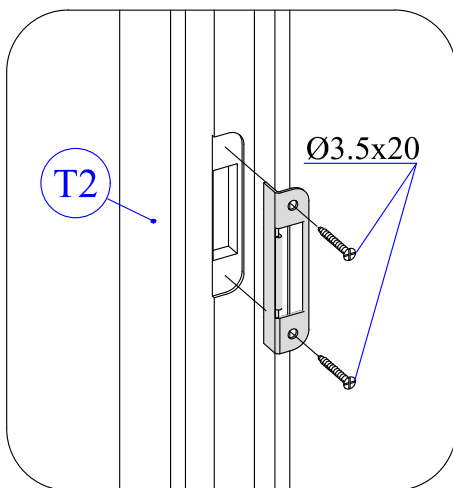
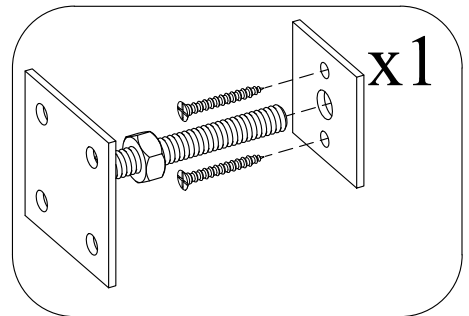
| Dim. | Skizze | Pos. | Länge (mm) | Stck. | Name | Ref. |
|---|---|------|---------------|------------|--------------|--------|
|  |  | 20 | 2880 | 3 | Sparren | 284080 |
| | | 21 | 2400 | 3 | | 284081 |
|  |  | 22 | 2740 | 25 (20) | Bodenbretter | 283503 |
|  |  | 23 | 2450 | 60 (48) | Dachbretter | 284538 |
|  |  | 24 | 1760 | 3 | Wind Brett | 286082 |
|  |  | 25 | 1760 | 3 | Wind Brett | 286081 |
|  |  | 26 | 2500 | 2 | Windbretter | 285082 |
| |  | 27 | 2300 | 1 | Windbretter | 285084 |
| |  | 28 | 3018 | 1 | Windbretter | 285071 |
|  |  | 29 | 250 | 1 | Wind Brett | 287132 |
|  |  | 30 | 2470 | 2 | Leiste | 286533 |
| |  | 31 | 3018 | 1 | Leiste | 286534 |
| |  | 32 | 2300 | 1 | Leiste | 286536 |

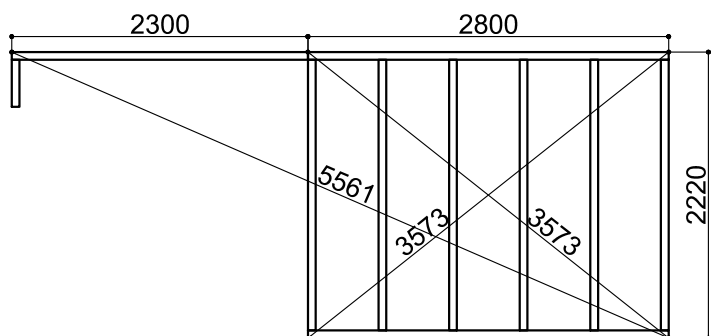
| Dim. | Skizze | Pos. | Länge (mm) | Stck. | Name | Ref. |
|---|---|--------------|------------|------------------|---------------|--------|
|  |  | 33 | 1780 | 1 | Bretter | 287139 |
|  |  | 34 | 1670 | 1 | Bretter | 287140 |
|  |  | 35 | 1780 | 1 | Bretter | 287141 |
|  |  | 36 | 1700 | 1 | Unterstützung | 287142 |
|  | | 37 | 5400 | 3 | Bitume | 285502 |
|  |  | 38 | 2750 | 1 | Bodenleiste | 283302 |
| | | 39 | 2170 | 2 | Bodenleiste | 283291 |
| | | 40 | 555 | 2 | Bodenleiste | 283311 |
|  | TR1 | 1960 | 1 | Türrahmen links | 289242 | |
| | TR2 | 1960 | 1 | Türrahmen rechts | 289243 | |
| | TR3 | 1580 | 1 | Über Türrahmen | 289244 | |
| | TR4 | 1510 | 1 | Türstufe | 289245 | |
|  | T1 | 1850x 765 | 1 | Tür | 289019 T1 | |
| | T2 | 1850x 765 | 1 | Tür | 289019 T2 | |

| | Pos. | Dim | Quant. |
|---|------|------------|--------|
|  | | Ø3.5 x 40 | 74 |
| | | Ø5.0 x 100 | 30 |
| | | Ø3.5 x 60 | 4 |
| | | | |
|  | | Ø2.0 x 40 | 300 |
| | | Ø2.0 x 50 | 150 |
|  | | Ø2.0 x 16 | 60 |

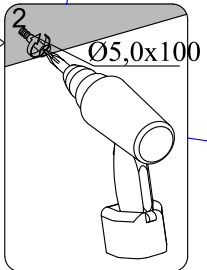
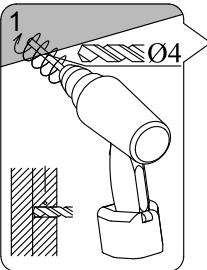
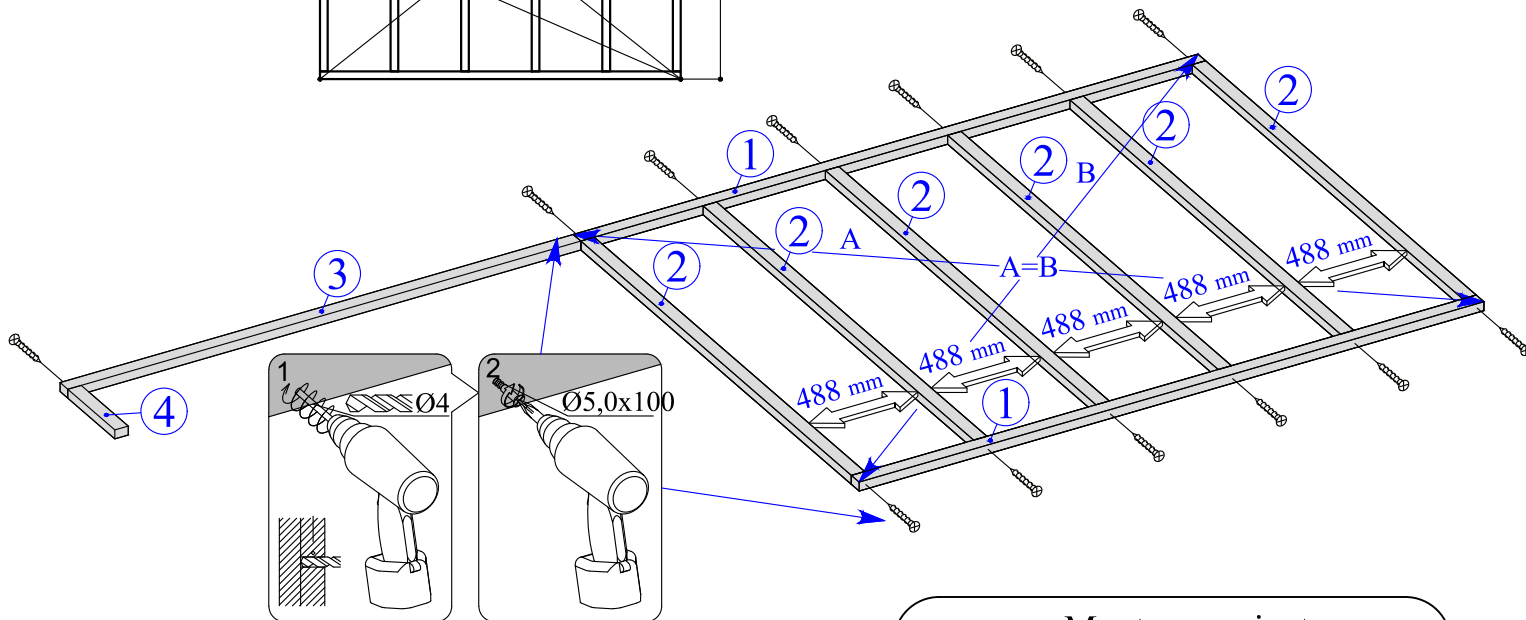
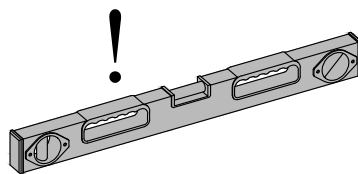


| | | |
|---|-----------|----|
|  | 6.3 x 80 | 2 |
|  | M6.0 x 80 | 9 |
|  | Ø6.0 | 20 |
|  | M8 | 9 |





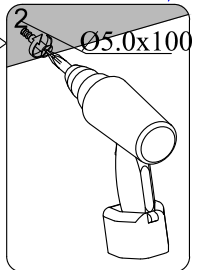
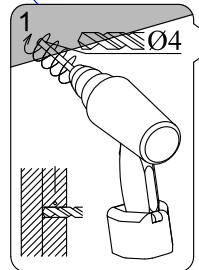
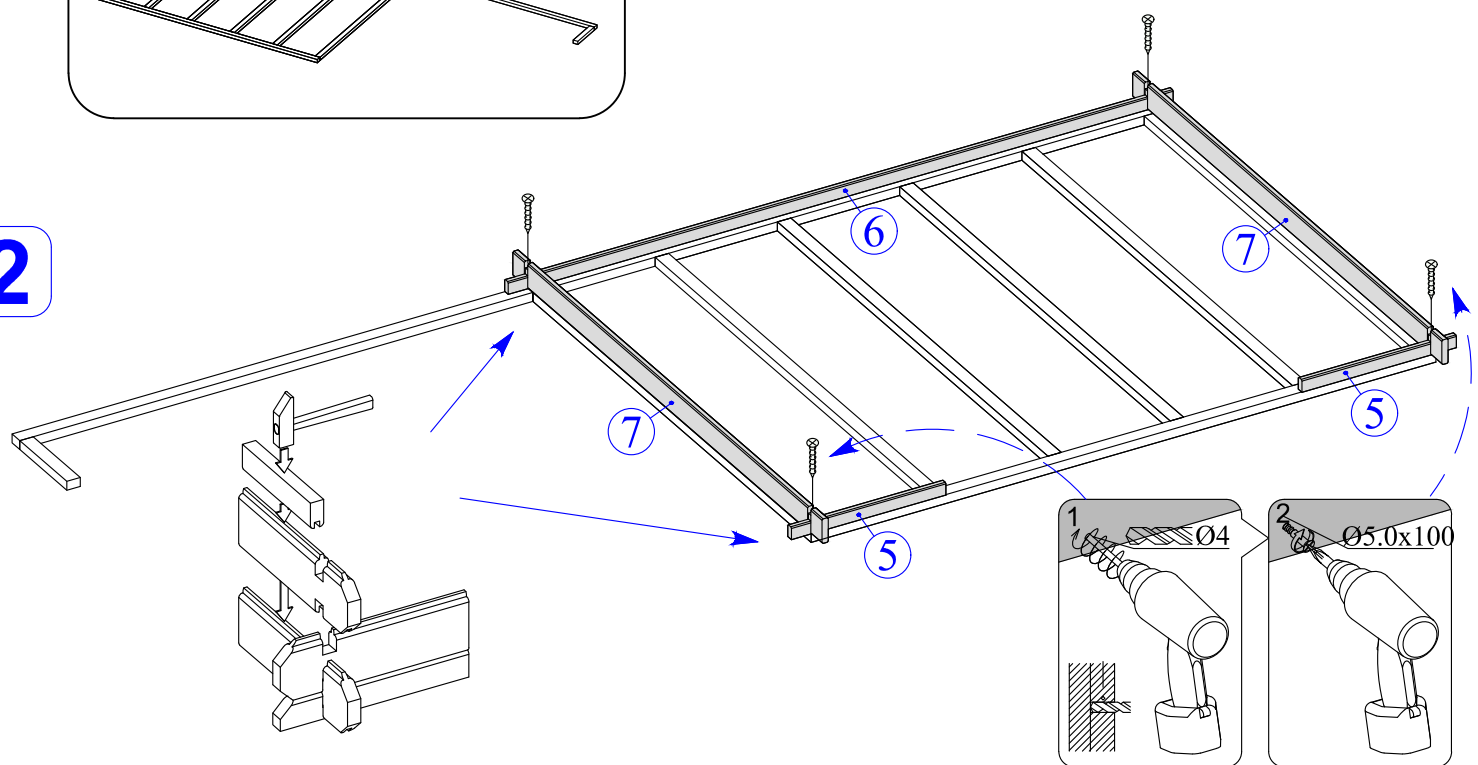
1



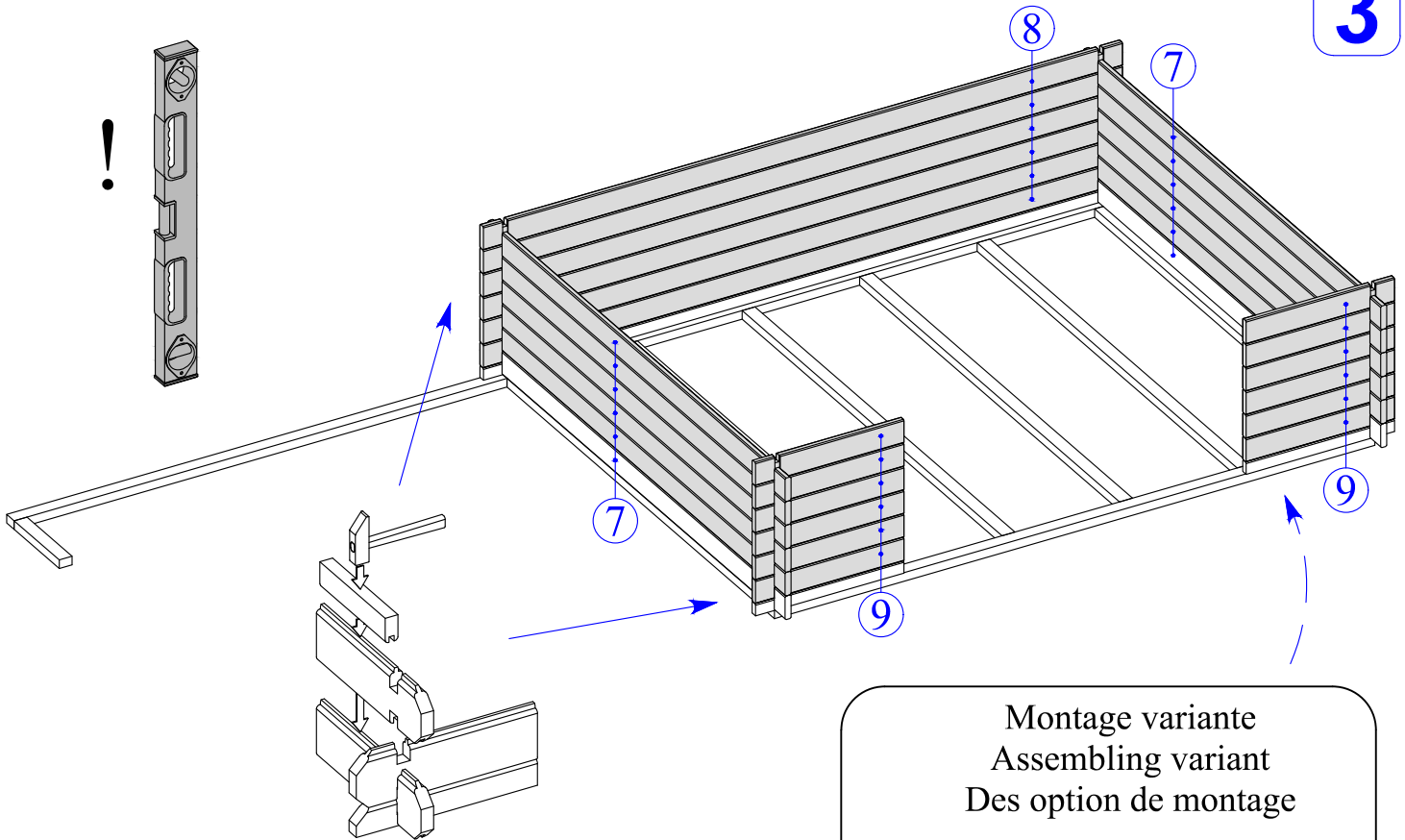
Montage variante
Assembling variant
Des option de montage

Montage variante
Assembling variant
Des option de montage

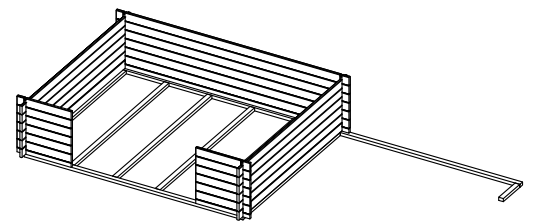
2



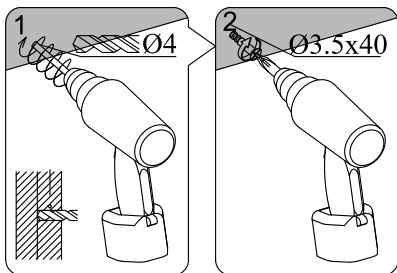
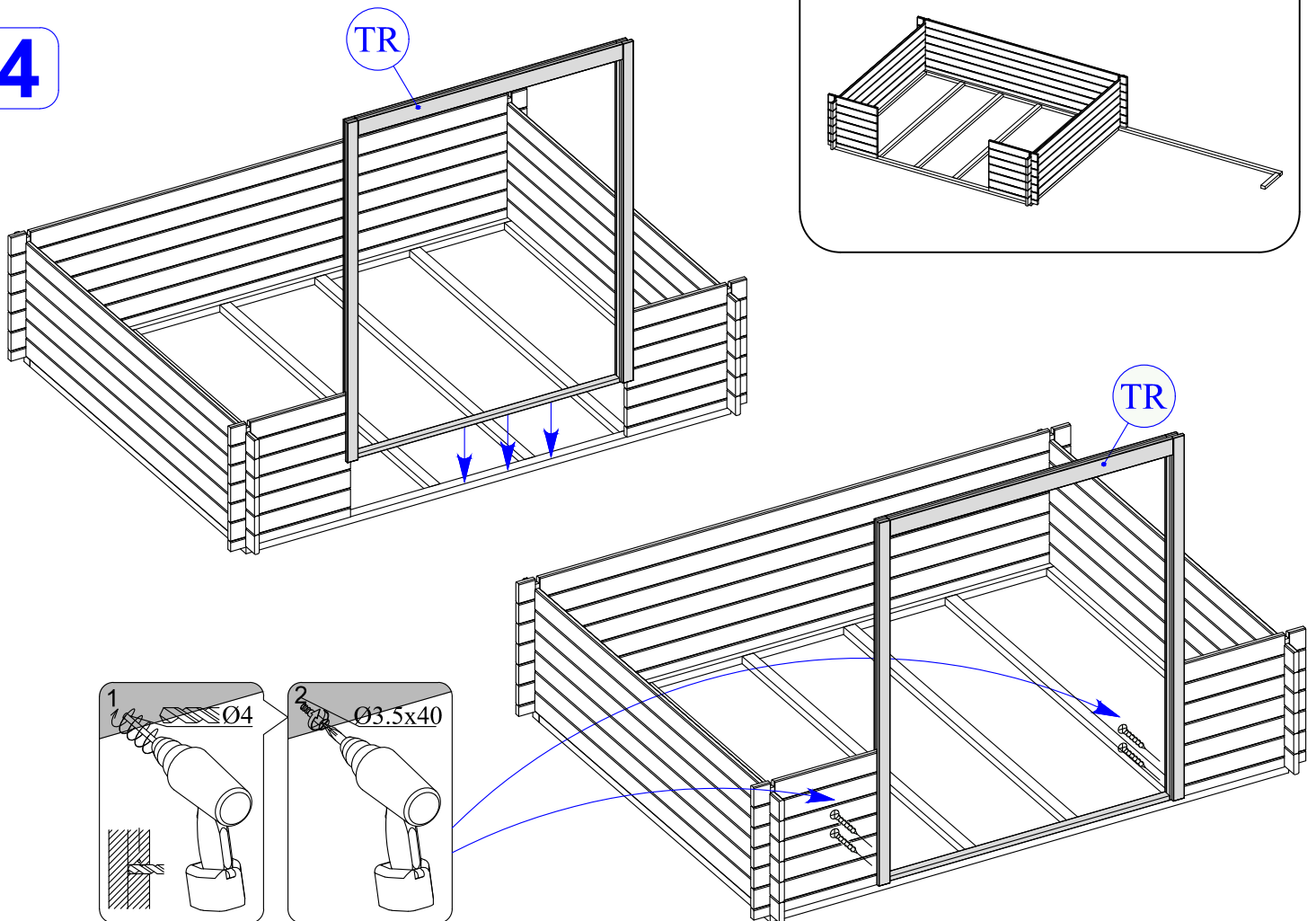
3



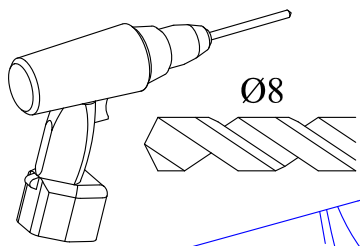
Montage variante
 Assembling variant
 Des option de montage



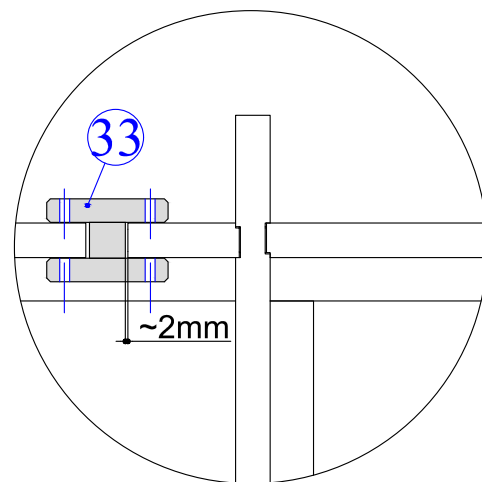
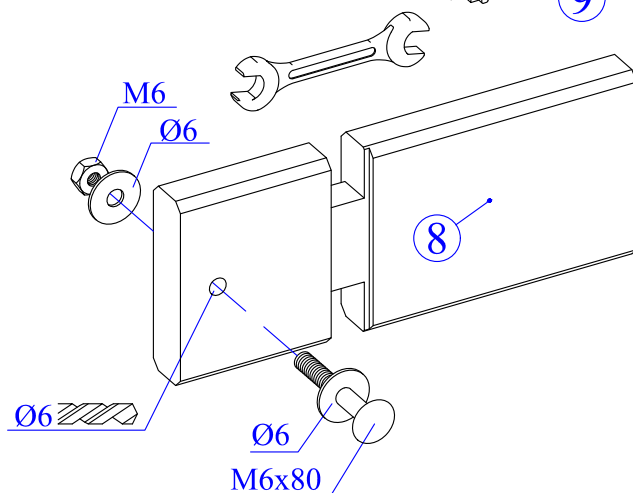
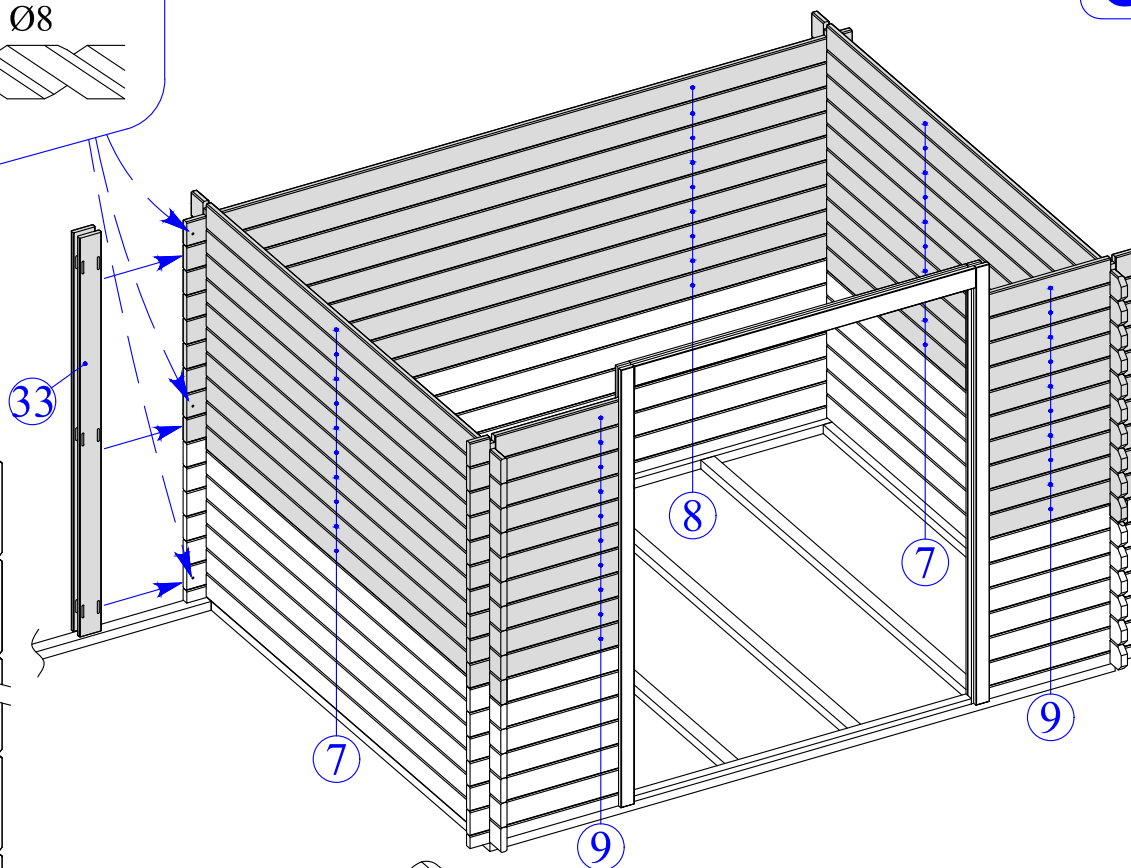
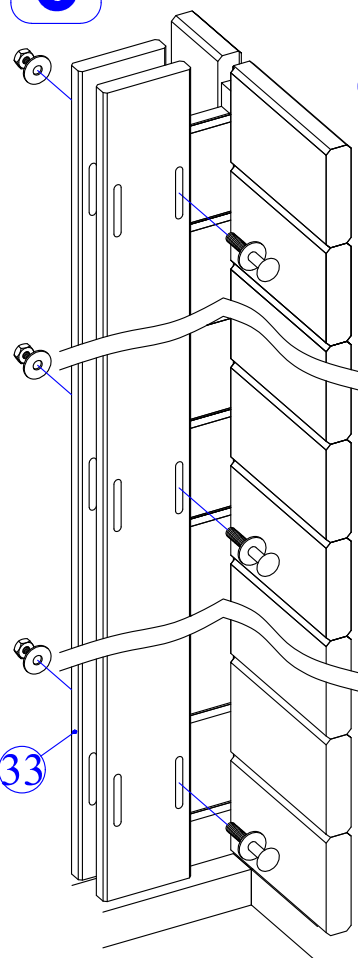
4



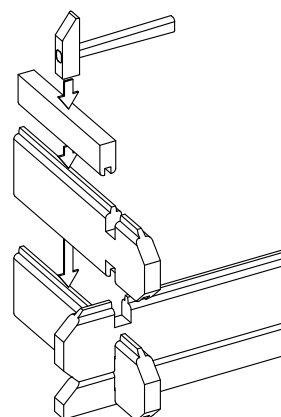
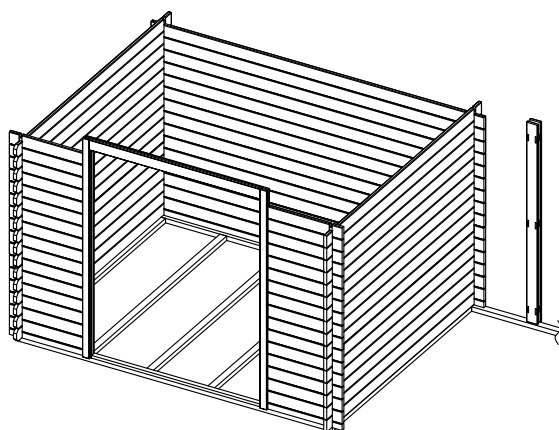
5



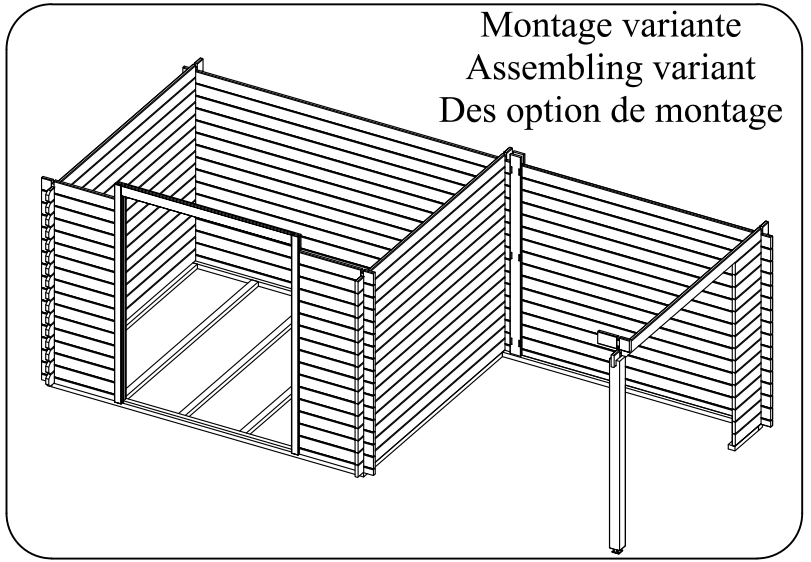
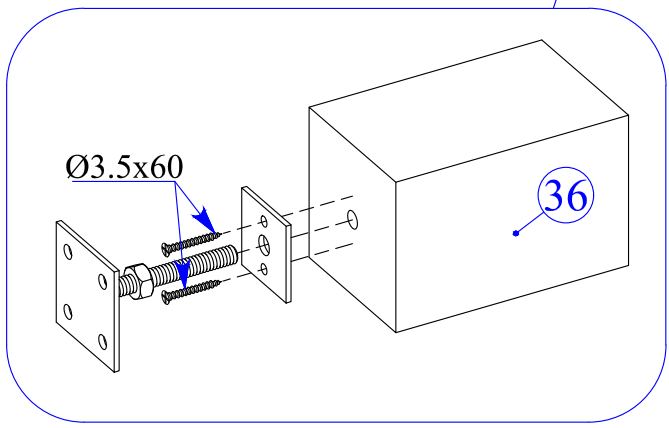
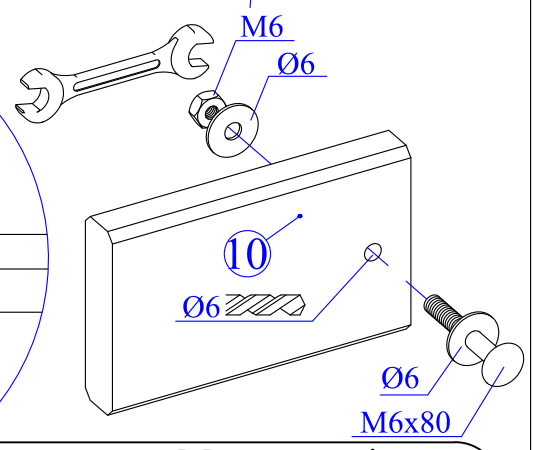
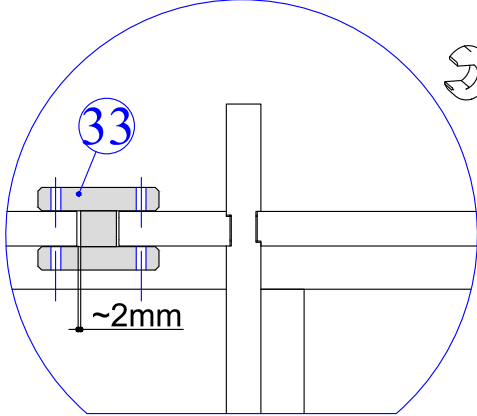
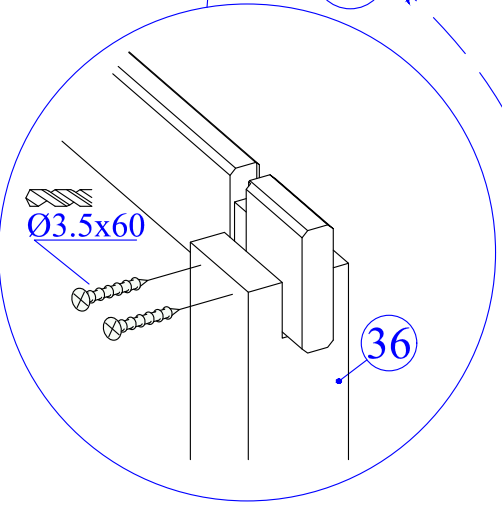
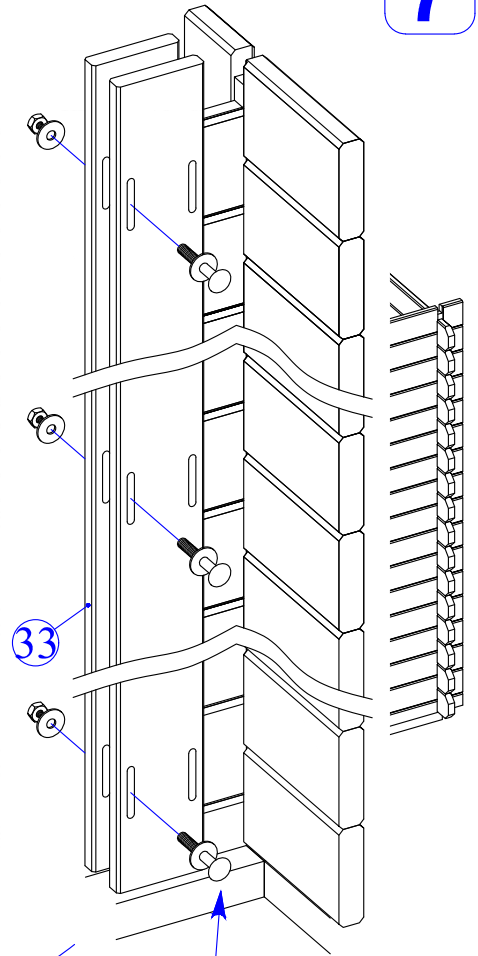
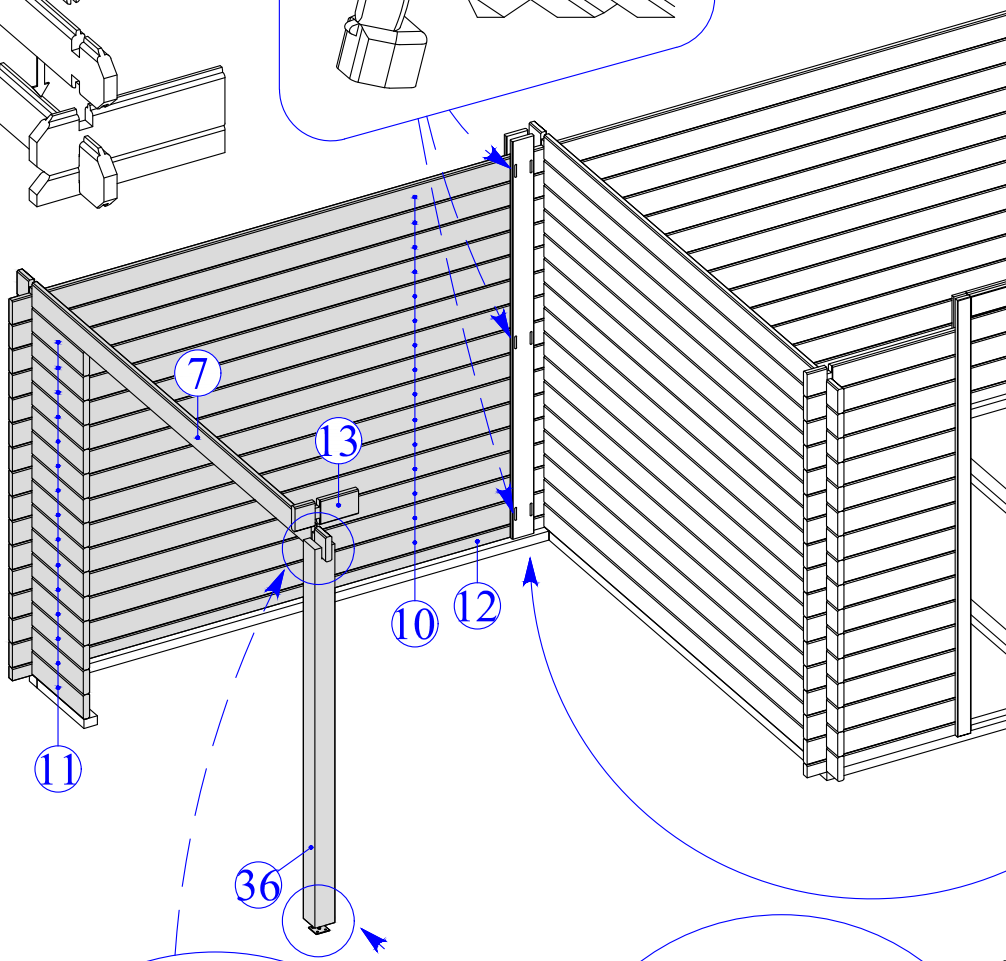
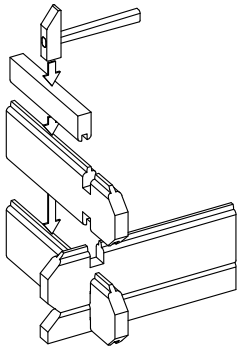
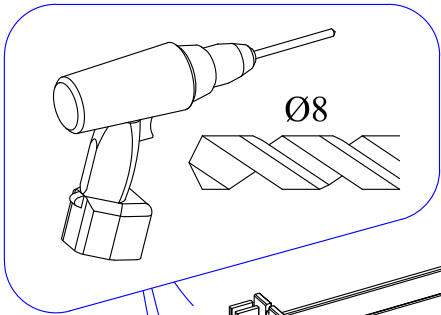
6

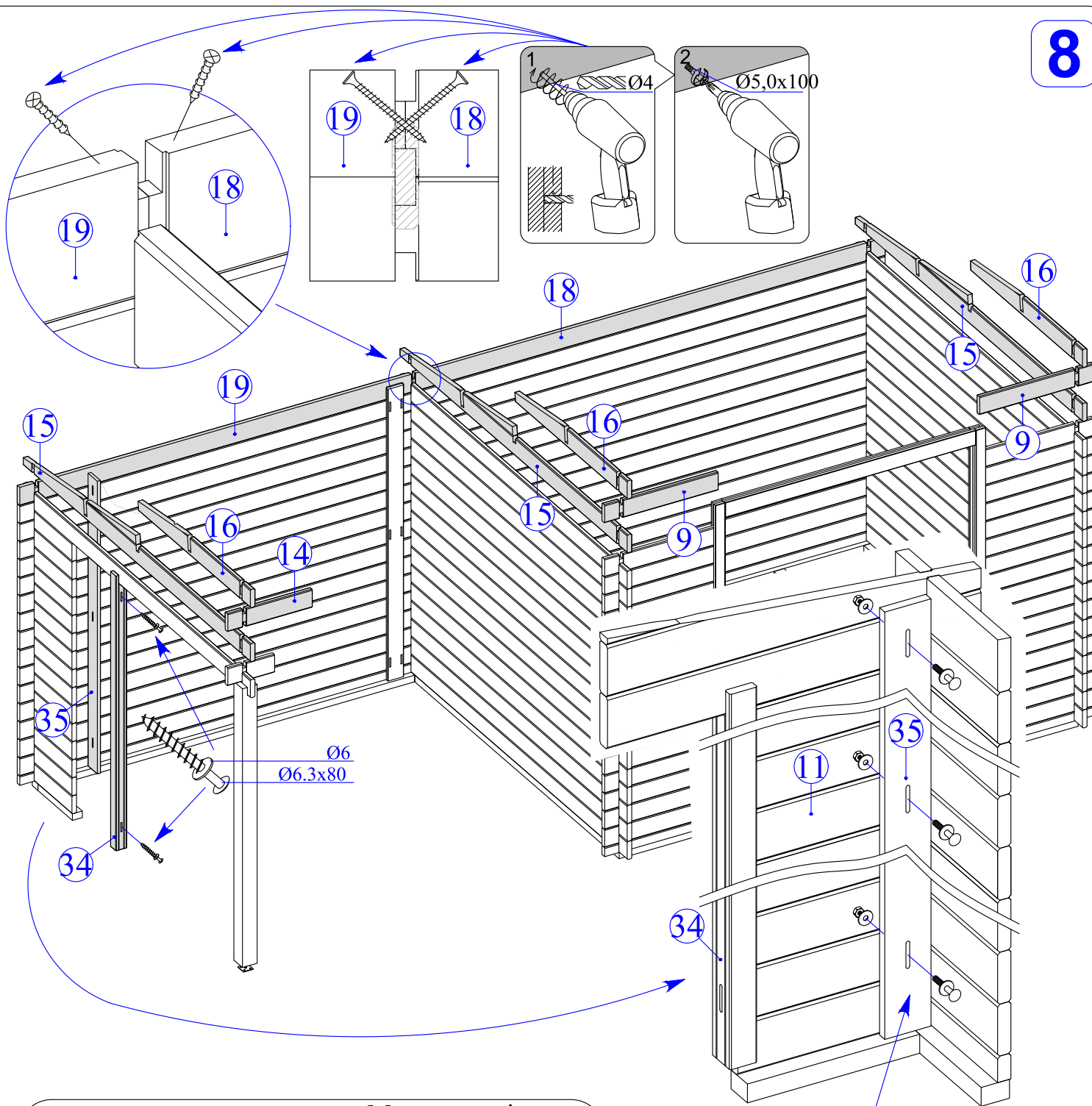


Montage variante
Assembling variant
Des option de montage

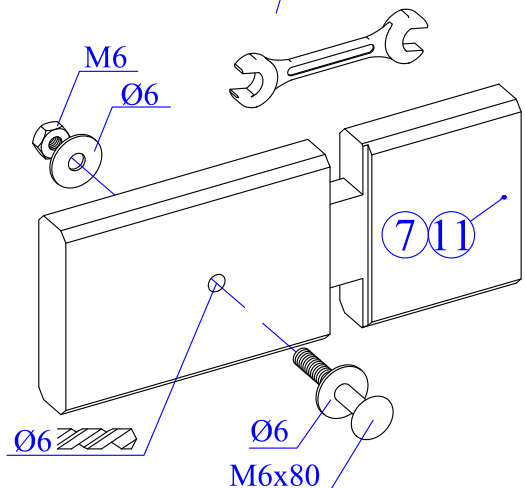
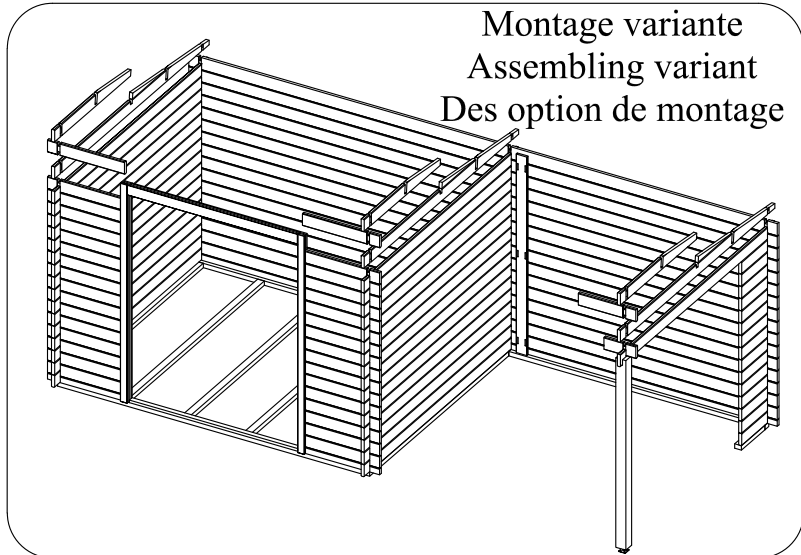


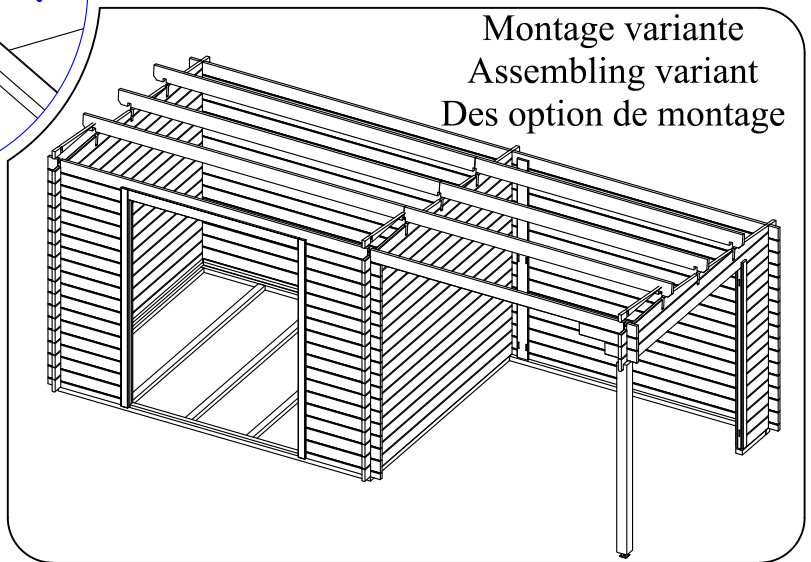
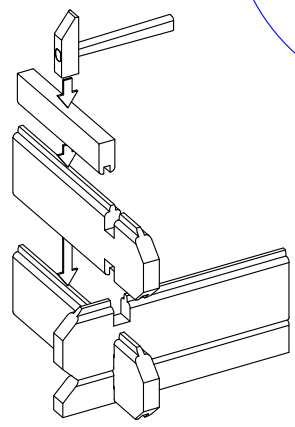
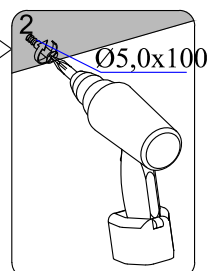
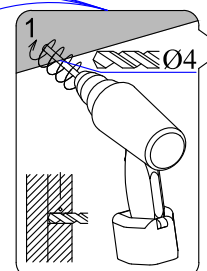
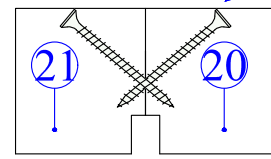
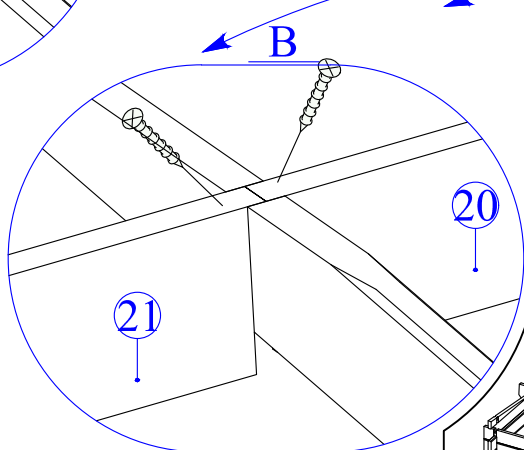
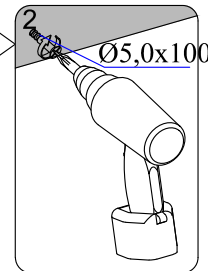
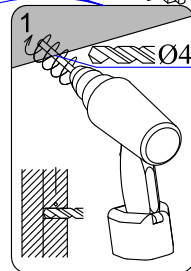
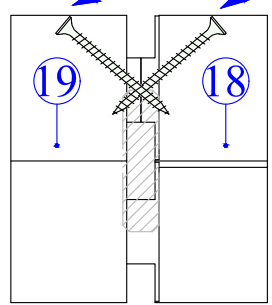
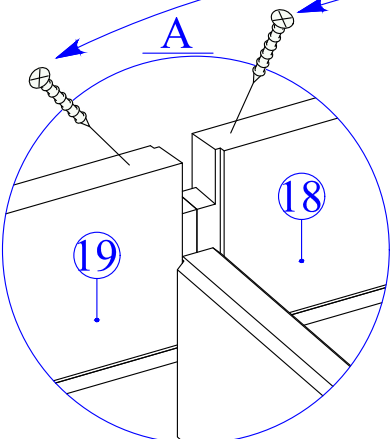
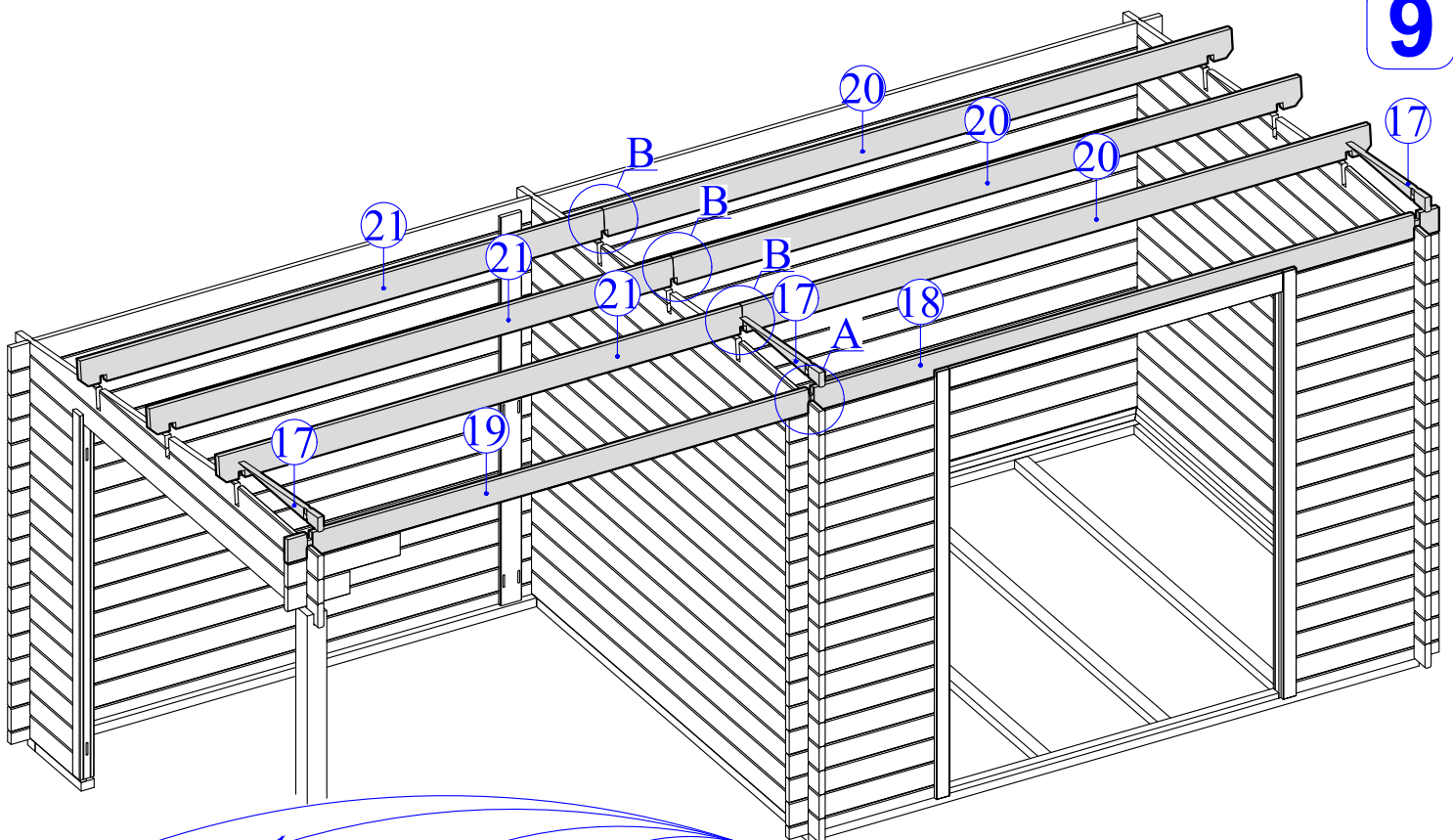
7



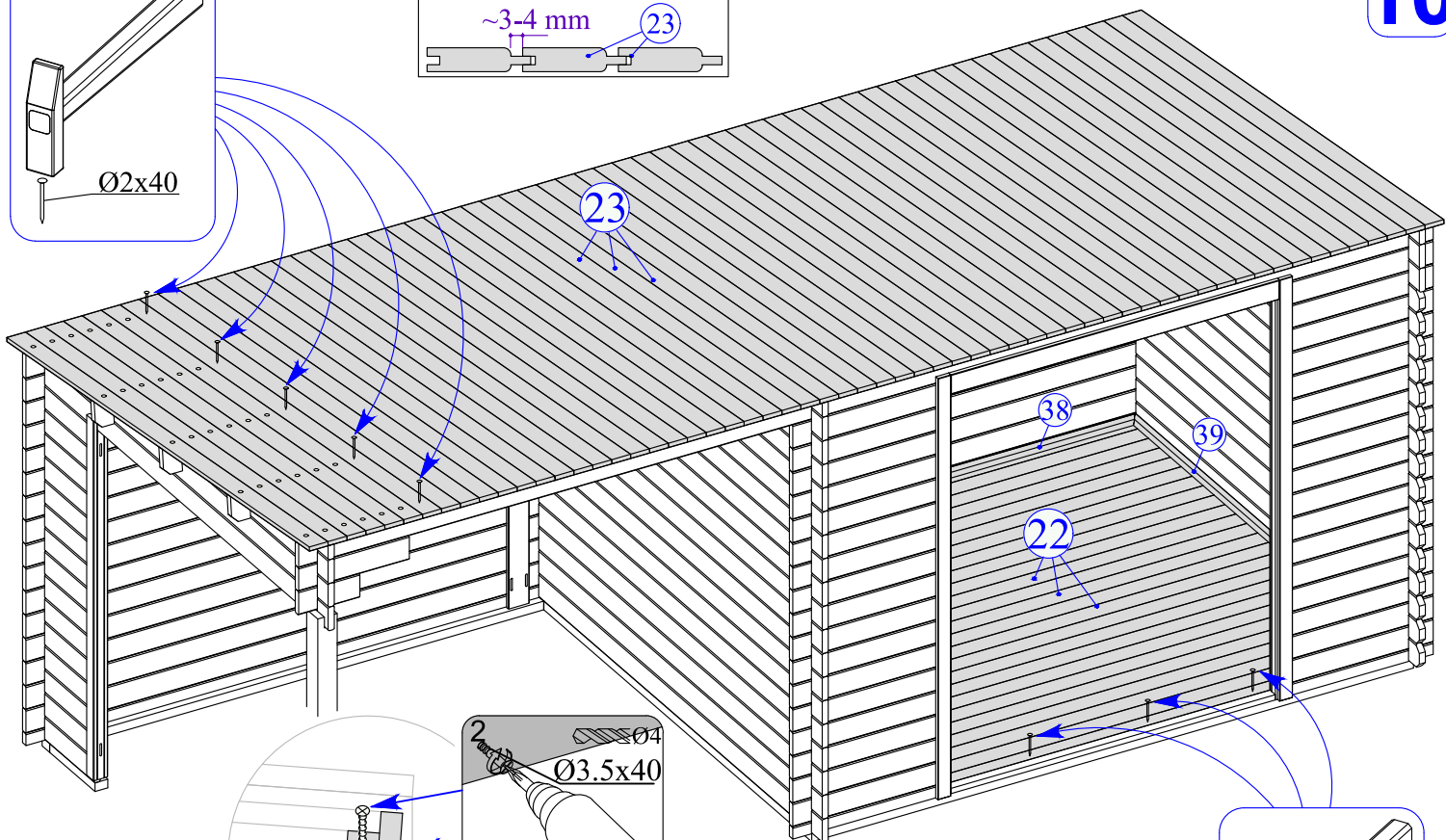
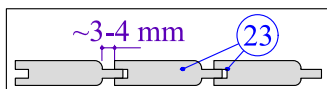
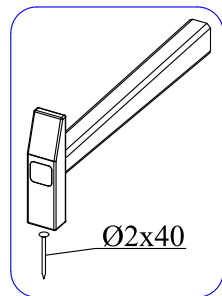


Montage variante
 Assembling variant
 Des option de montage

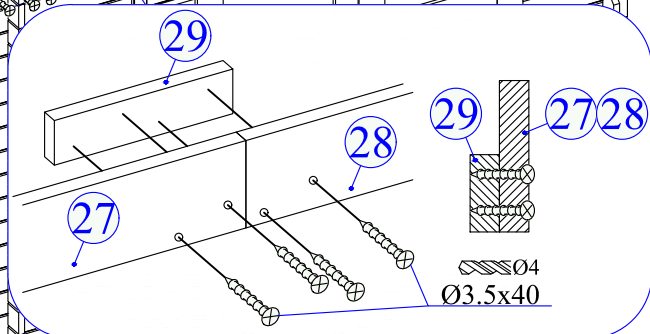
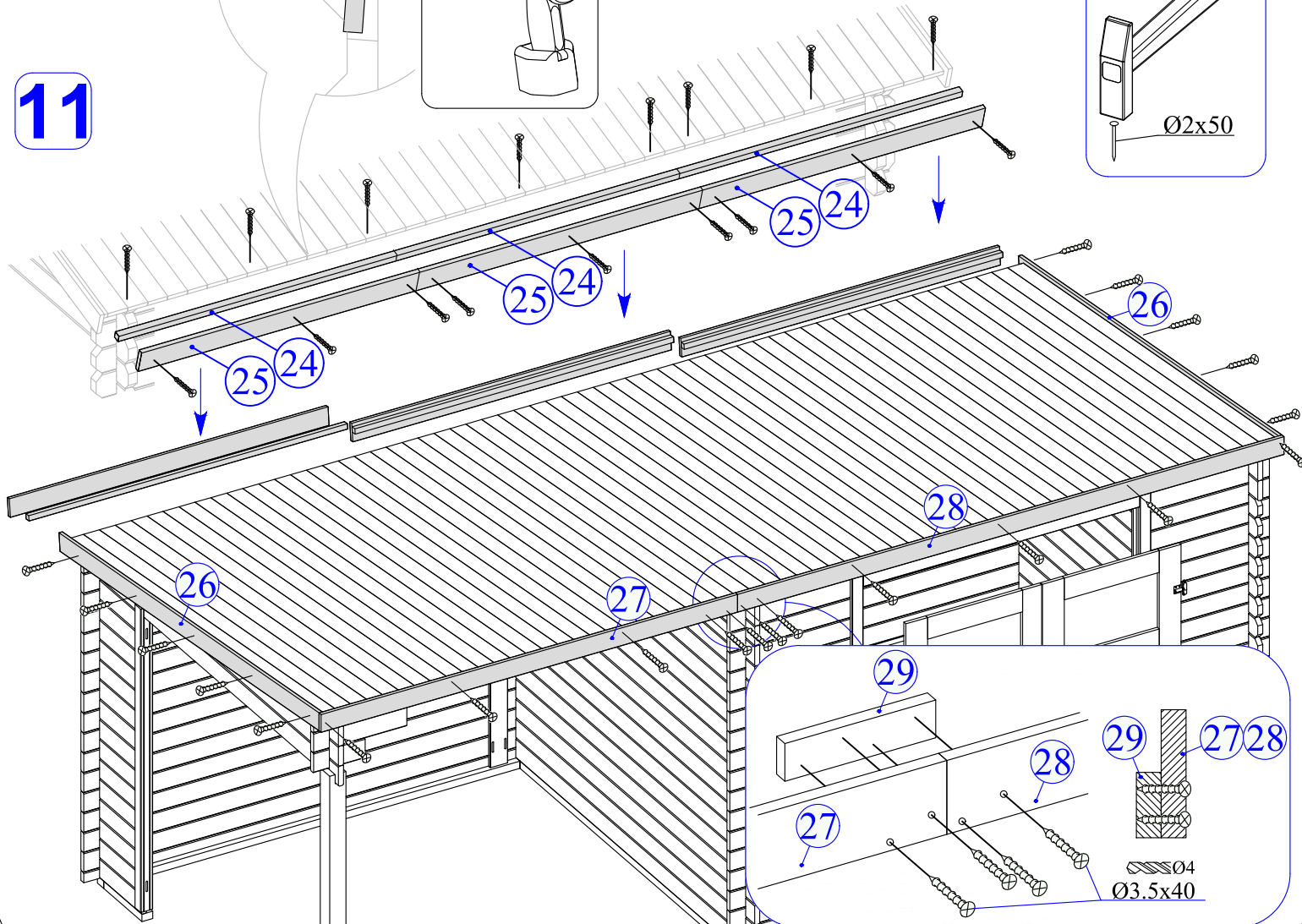
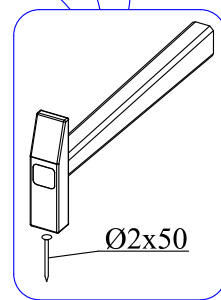
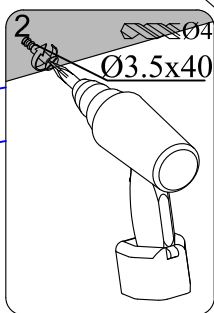




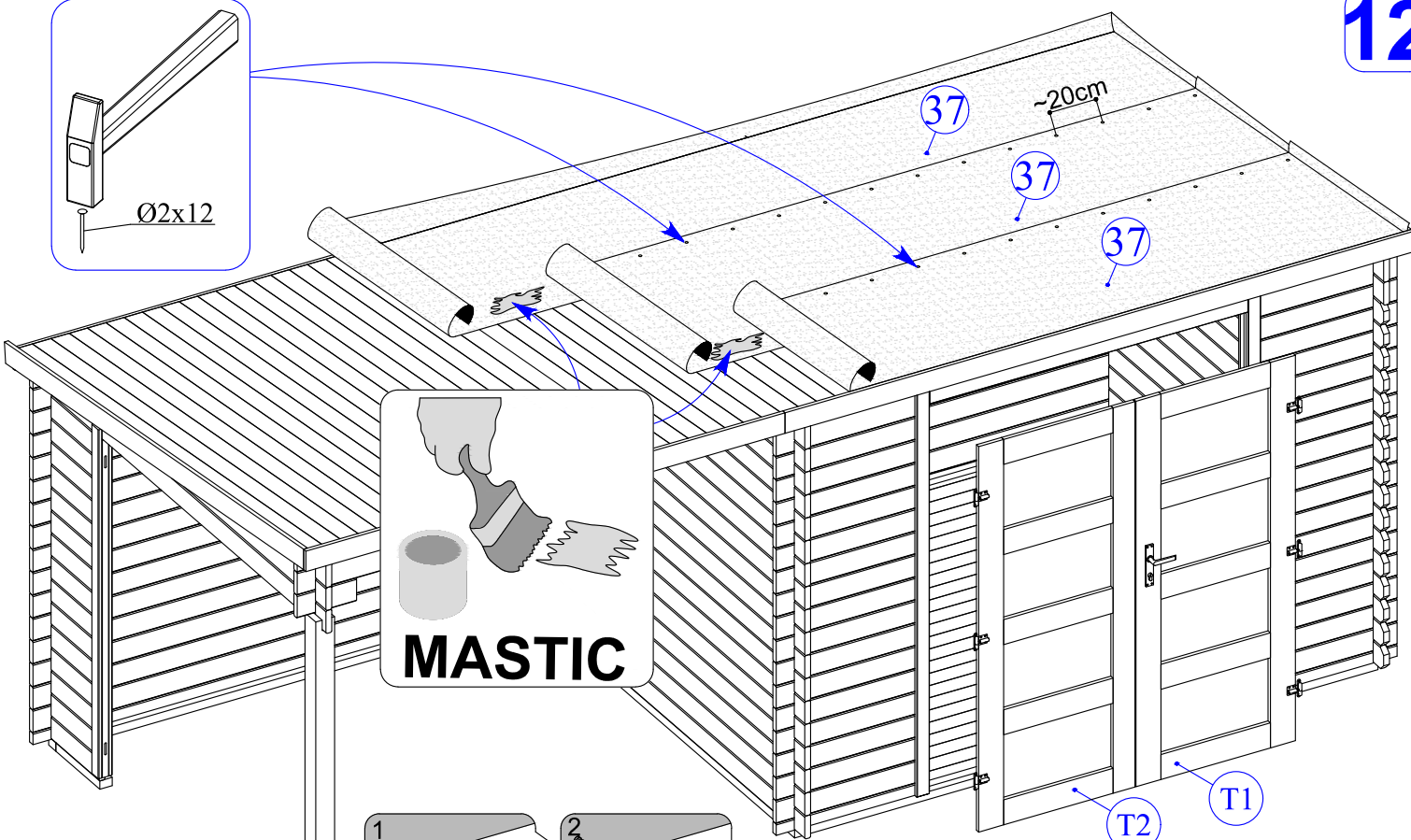
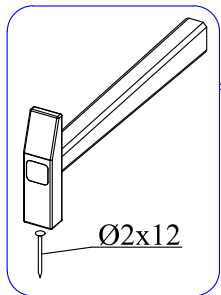
10



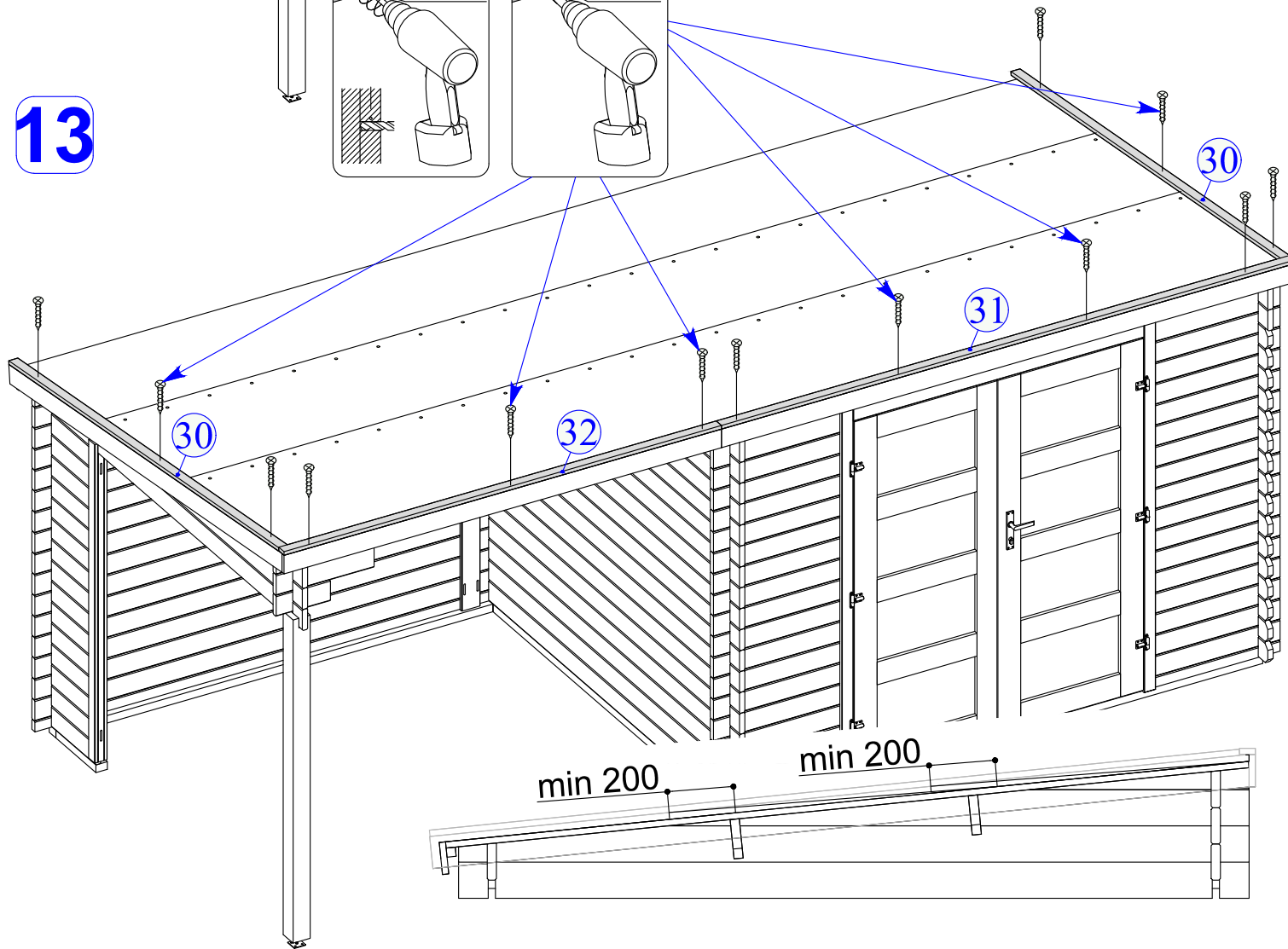
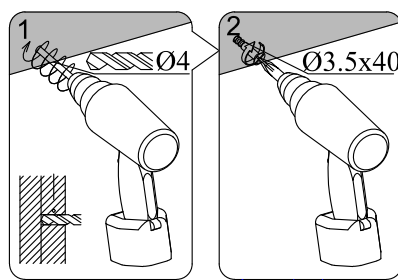
11

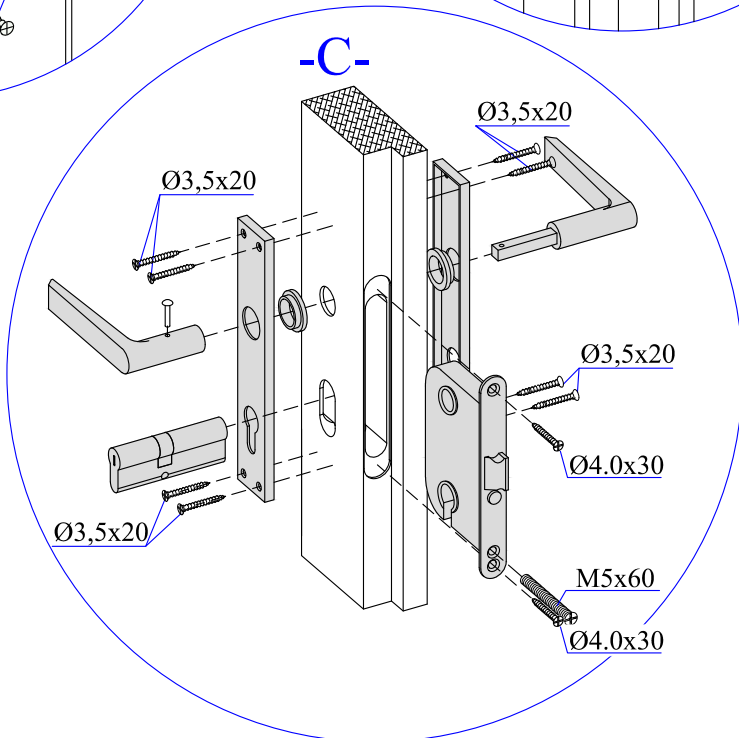
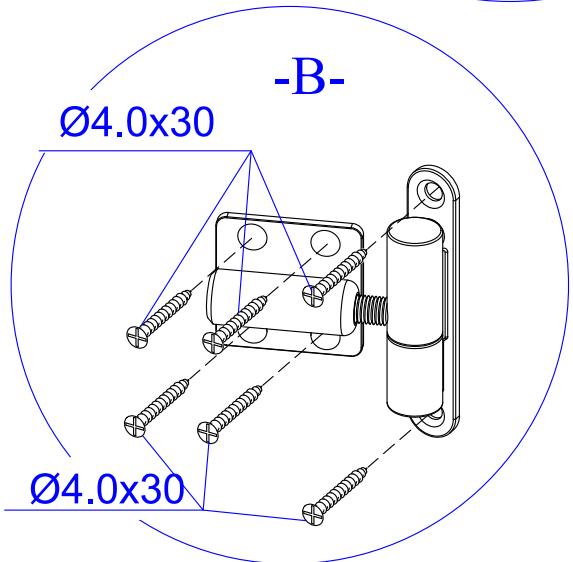
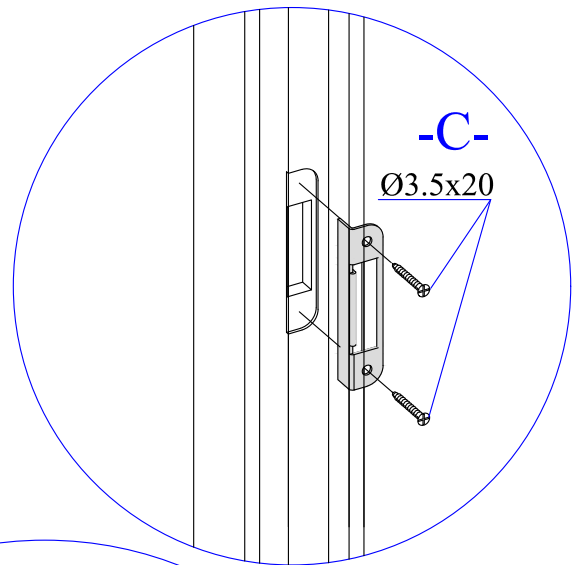
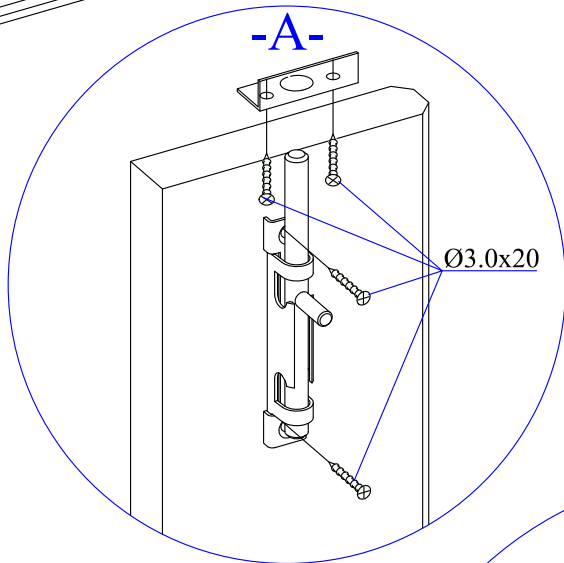
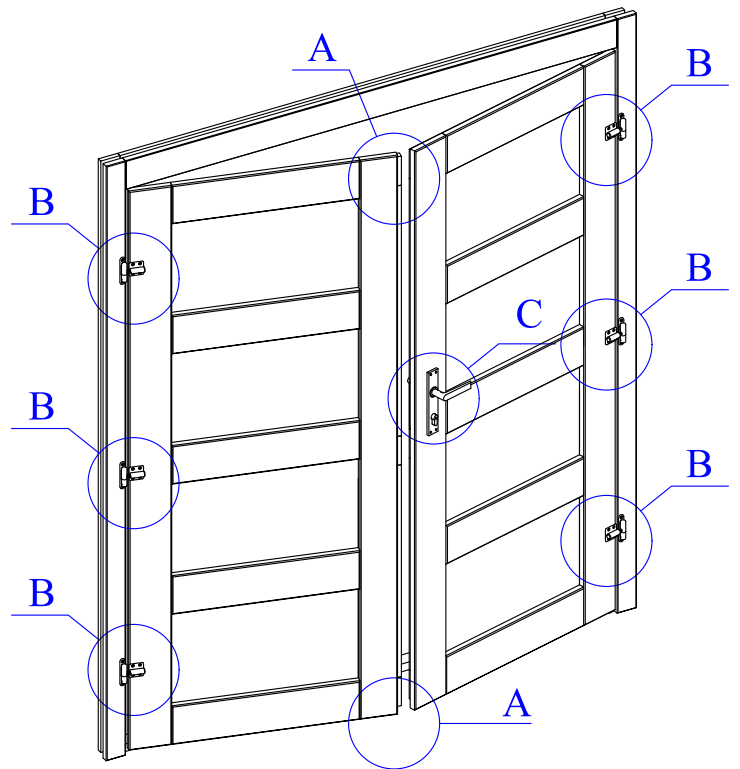
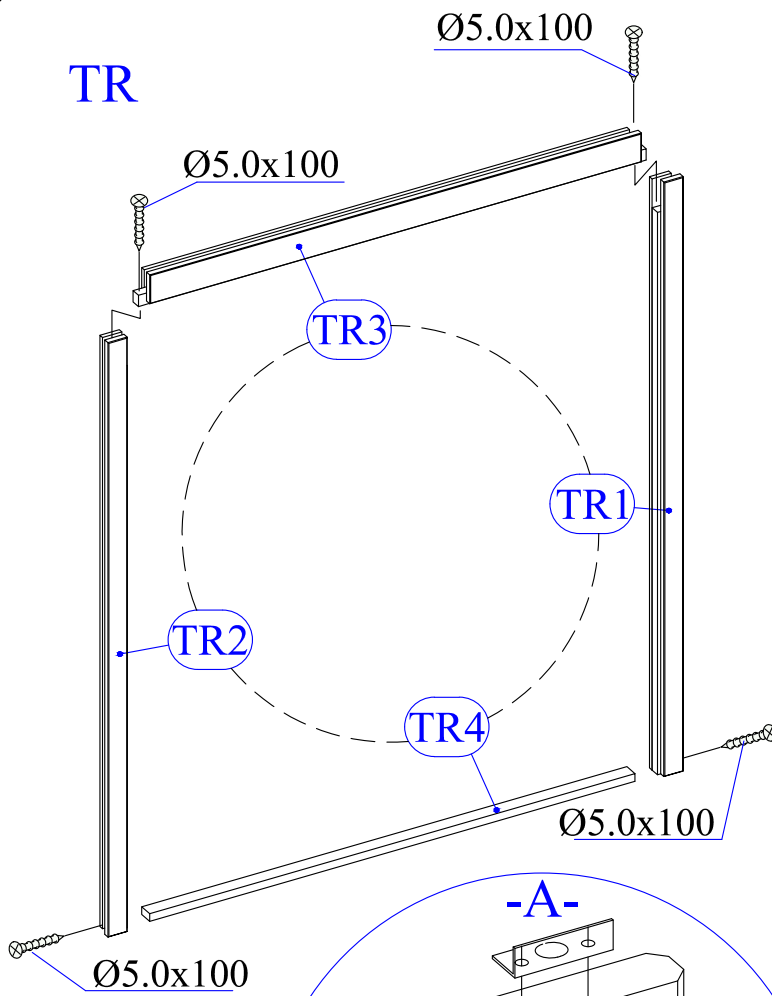


12



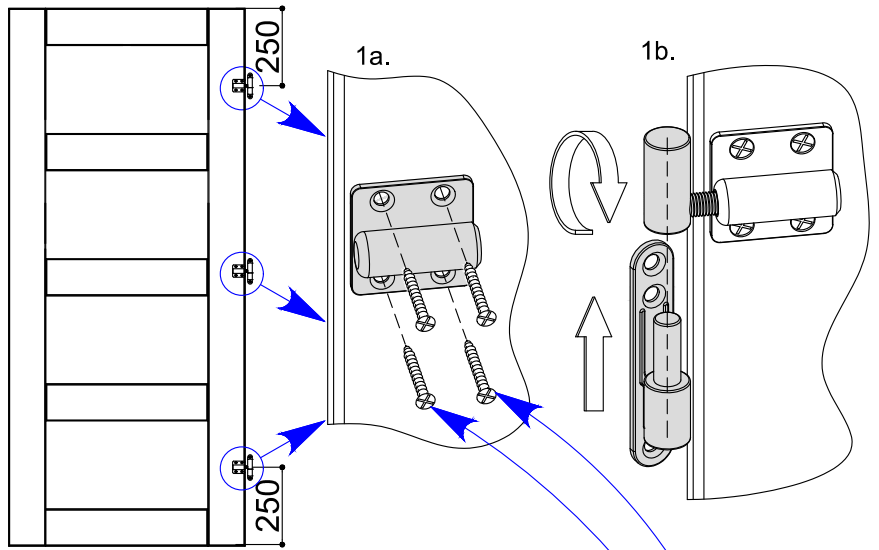
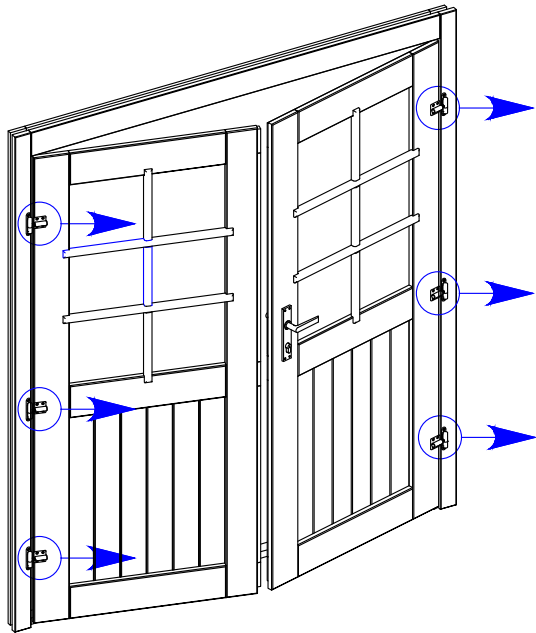
13



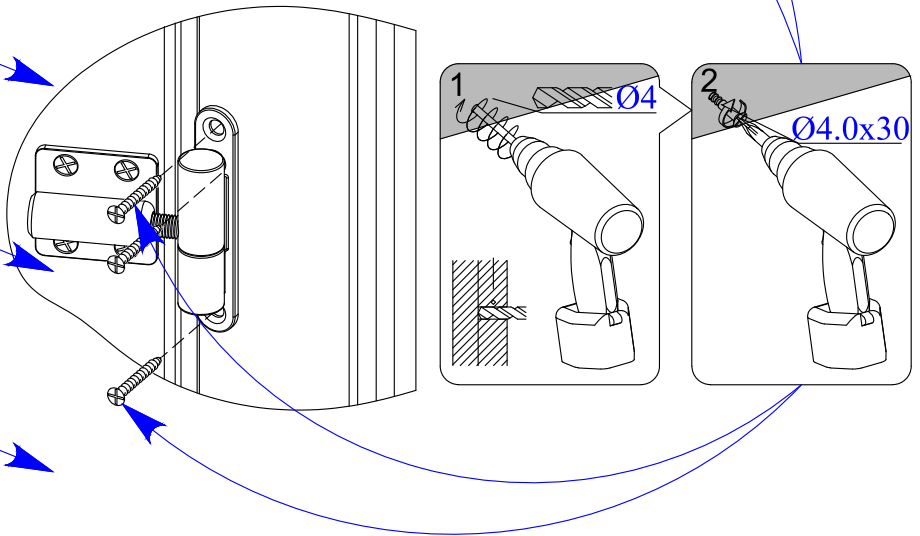
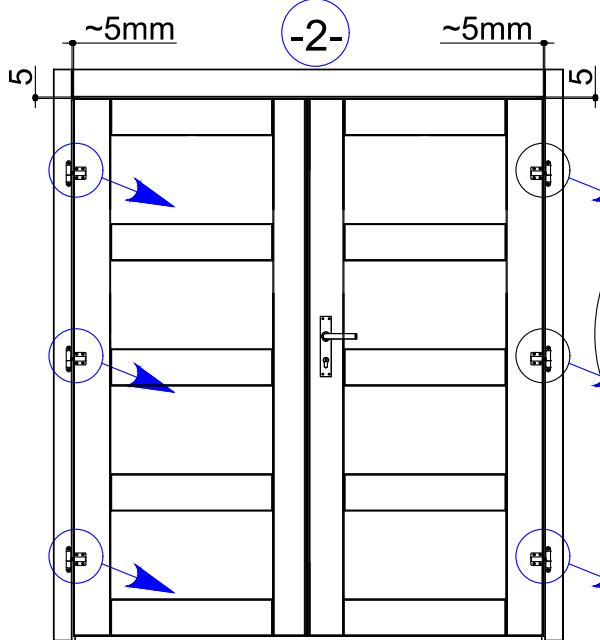


-B-

-1-



-2-



-3-

