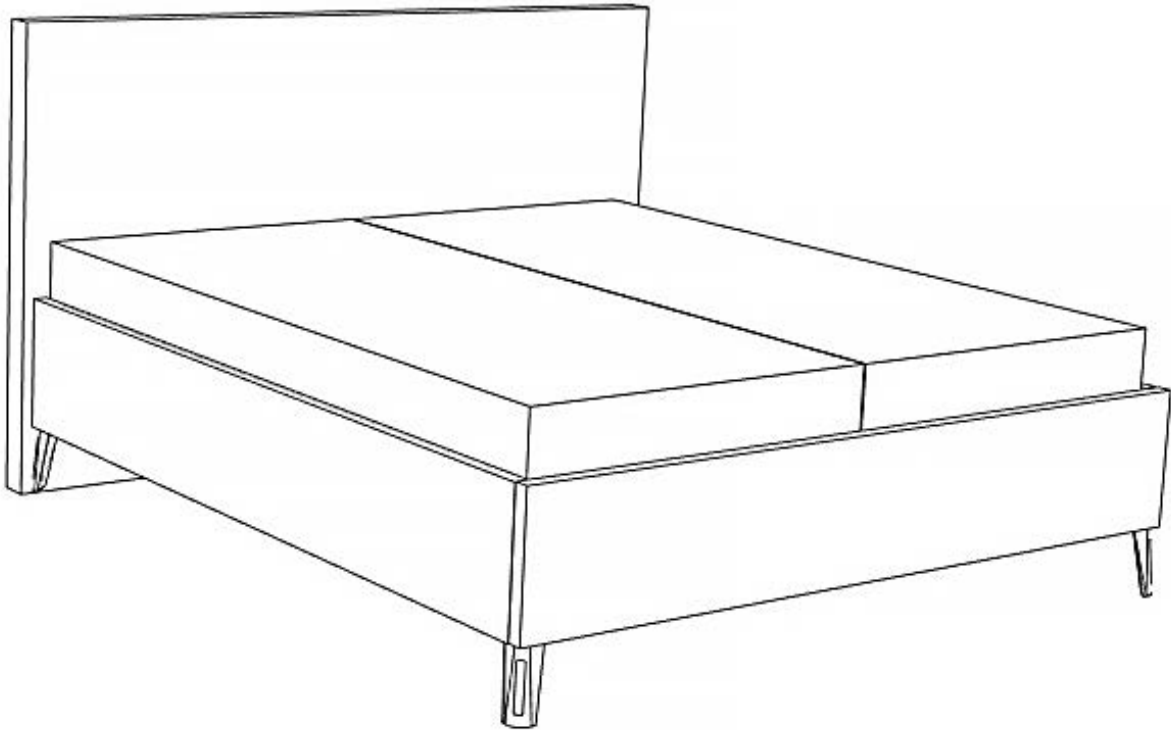


TORINO/WESTMINSTER 160/180

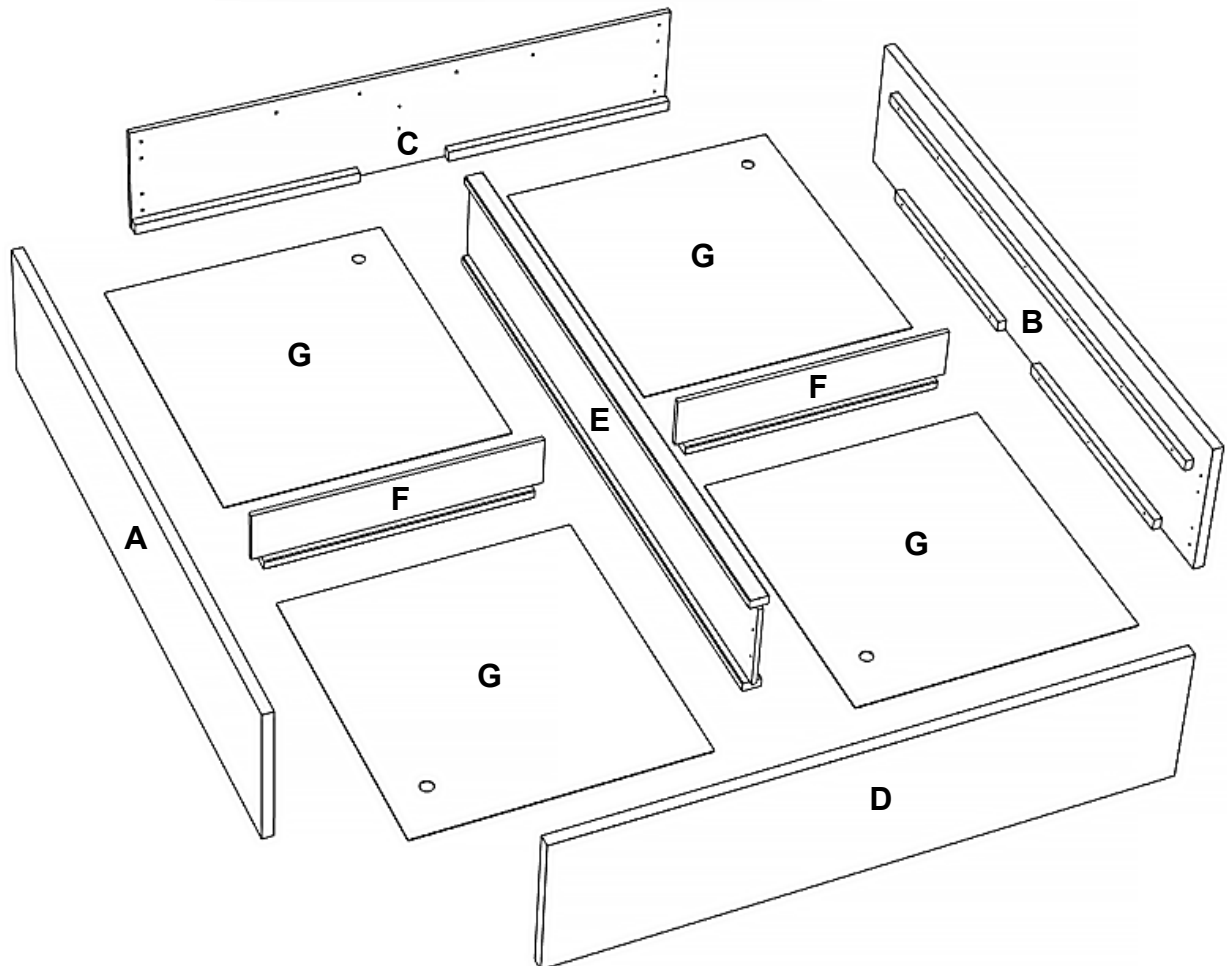
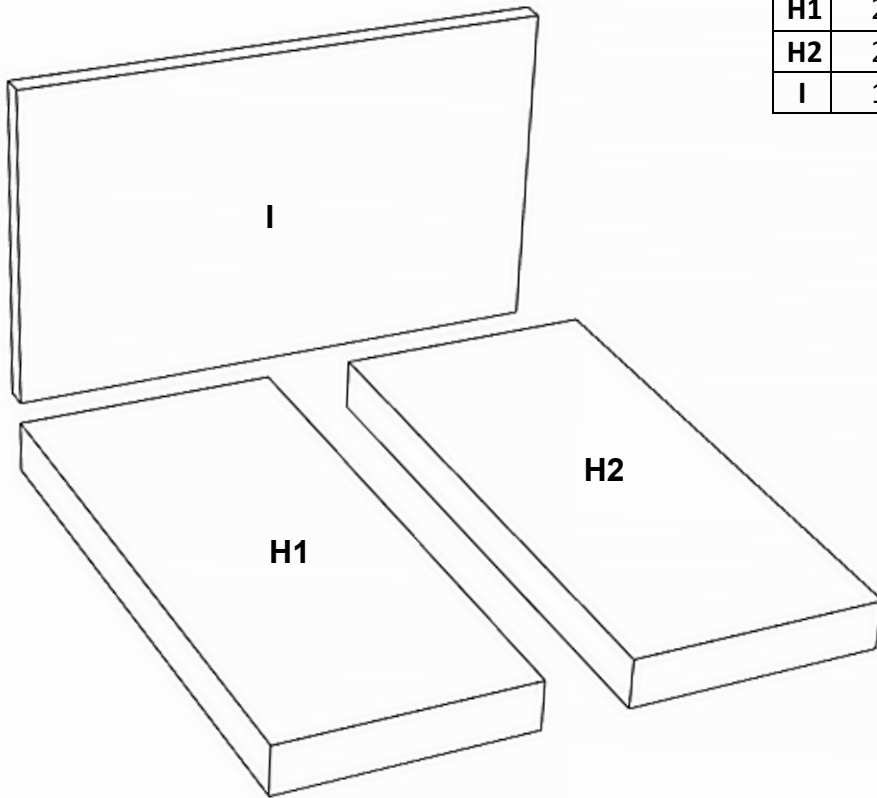
24072023

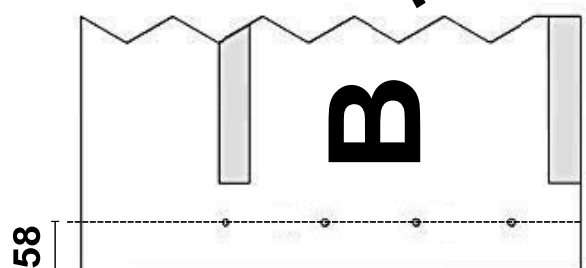
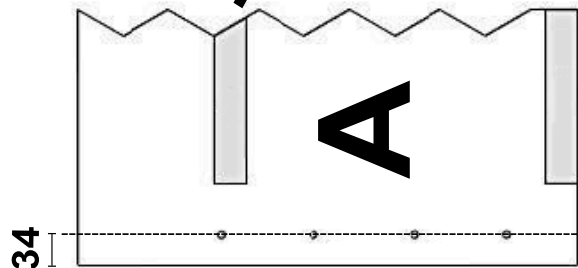
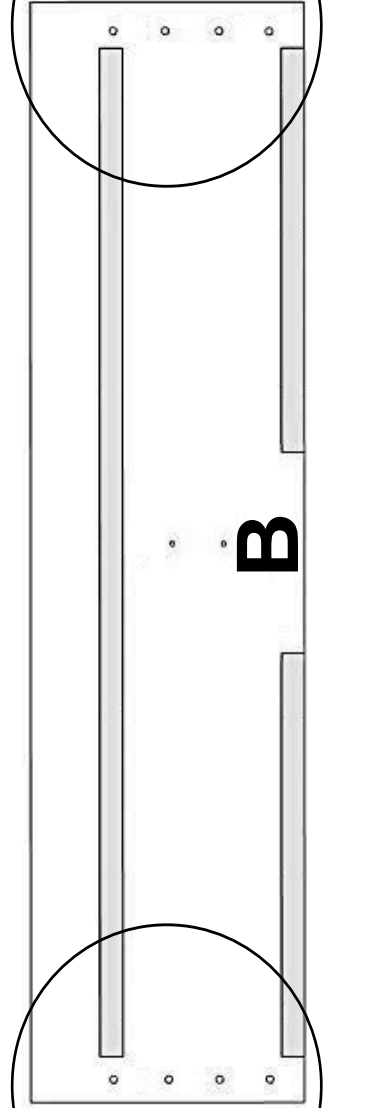
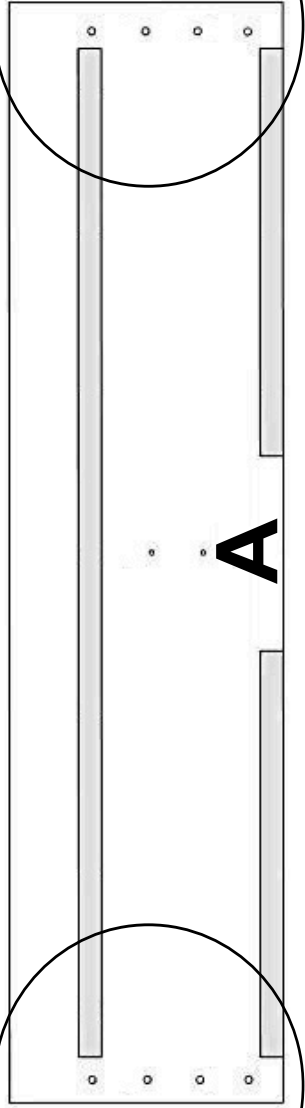
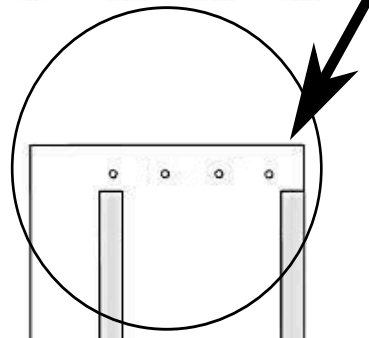
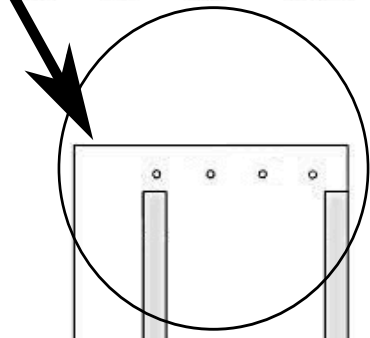
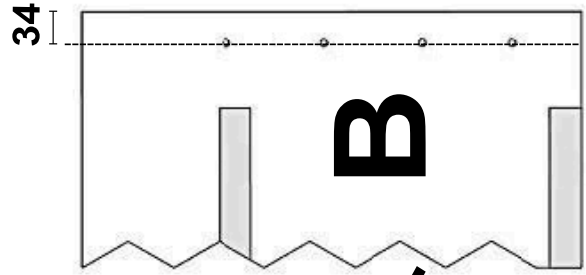
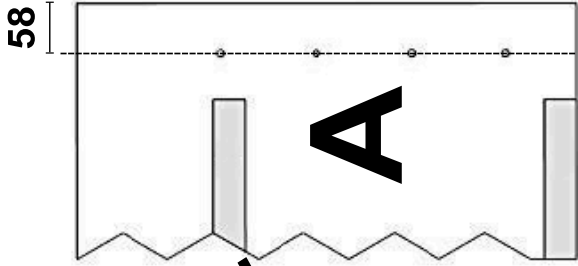


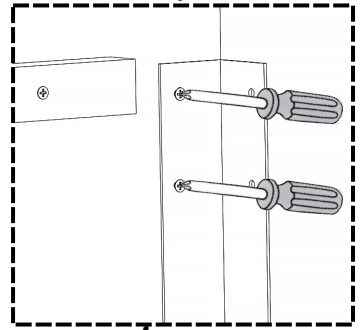
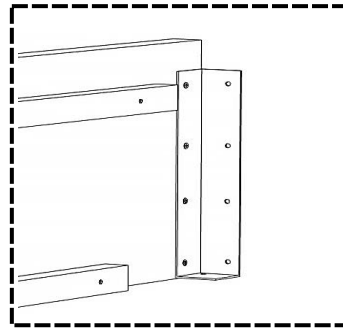
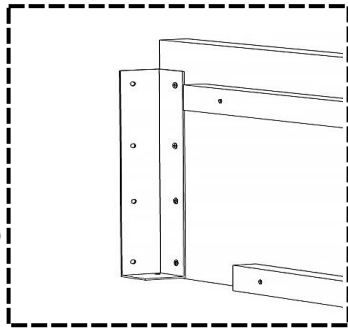
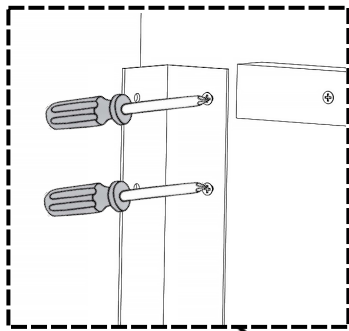
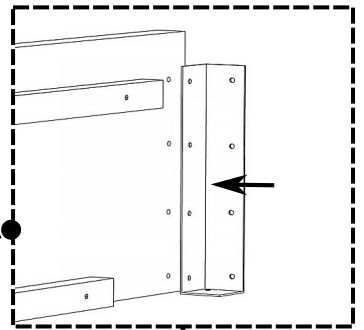
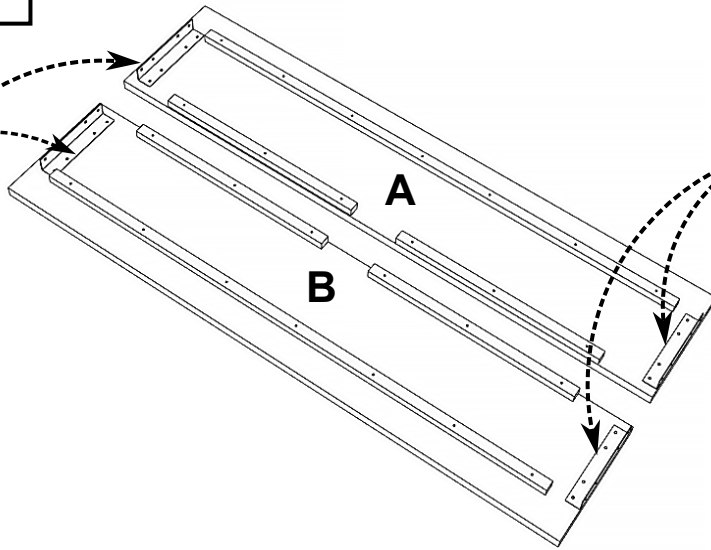
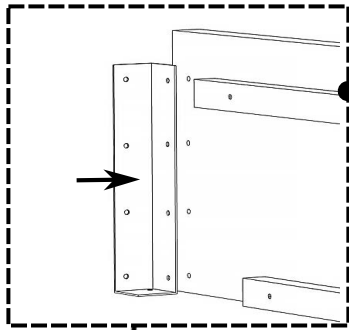
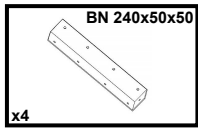
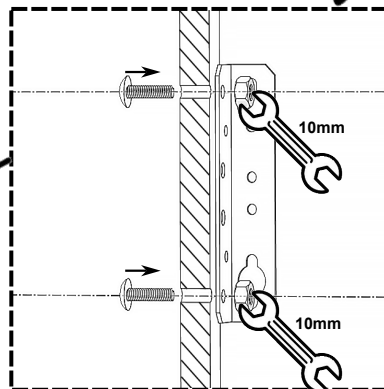
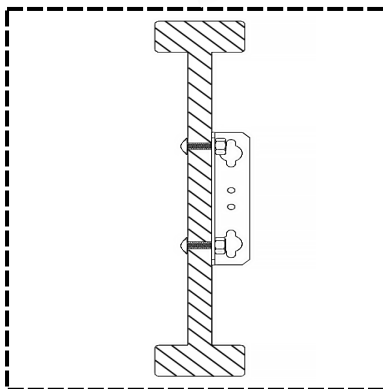
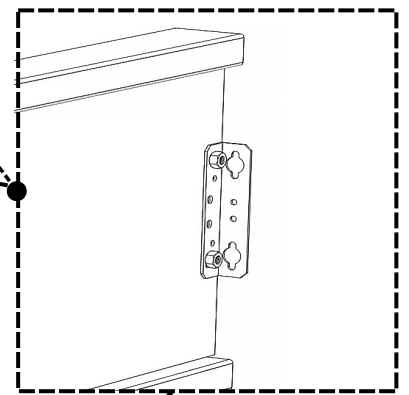
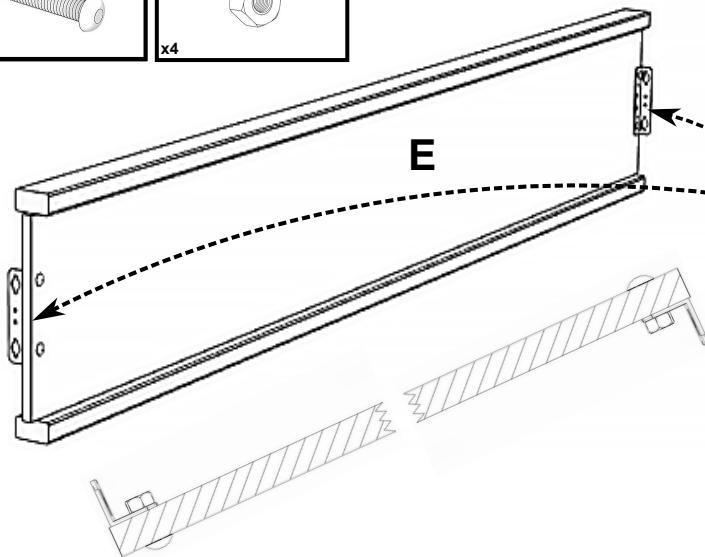
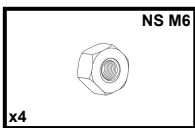
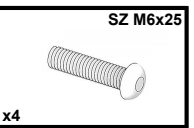
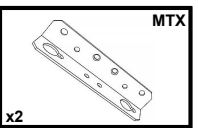
<p>NO H160</p> <p>x4</p>	<p>NR H160</p> <p>x2</p>	<p>FP</p> <p>x4</p>	<p>MTX</p> <p>x2</p>	<p>BN 240x50x50</p> <p>x4</p>
<p>RBM20 - L</p> <p>x2</p>	<p>RBM20 - R</p> <p>x2</p>	<p>SG 800/245</p> <p>x4</p>	<p>M8x20</p> <p>x8</p>	<p>BP 10/10</p> <p>x32</p>
<p>PP M6</p> <p>x8</p>	<p>NS M6</p> <p>x8</p>	<p>SZ M6x25</p> <p>x4</p>	<p>SK M6x20</p> <p>x48</p>	<p>KP 26x26x20</p> <p>x8</p>
<p>WZ 3,5x16</p> <p>x16</p>	<p>WZ 3,5x20</p> <p>x8</p>			

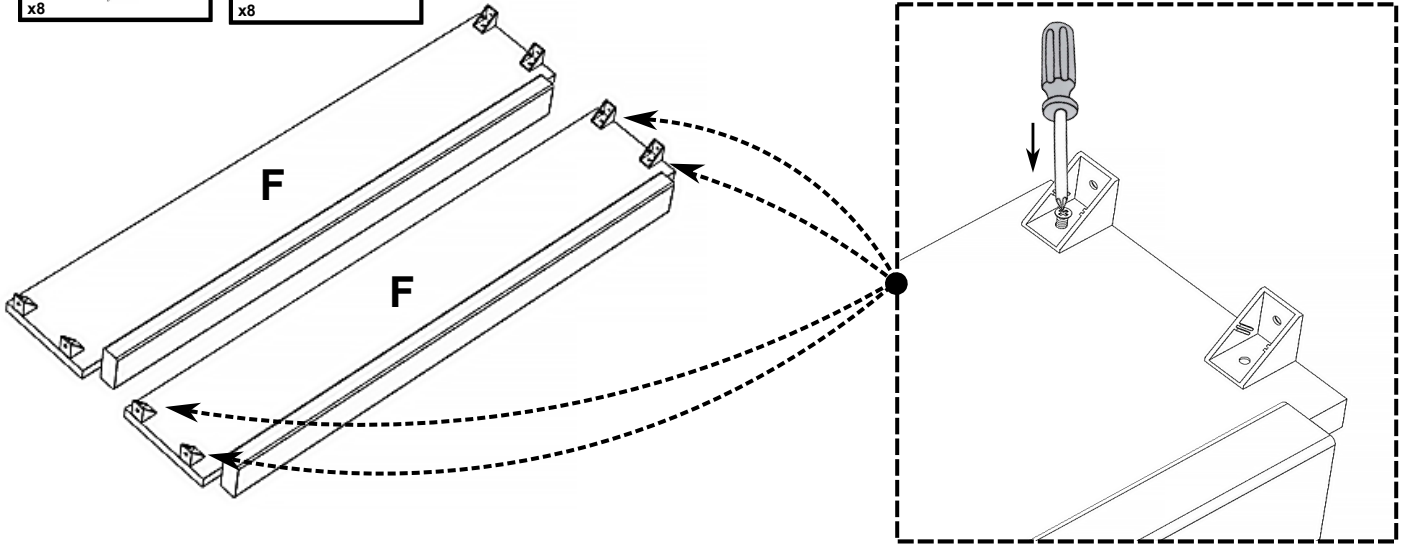
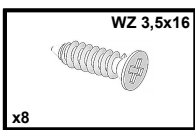
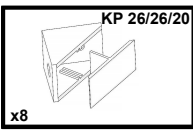
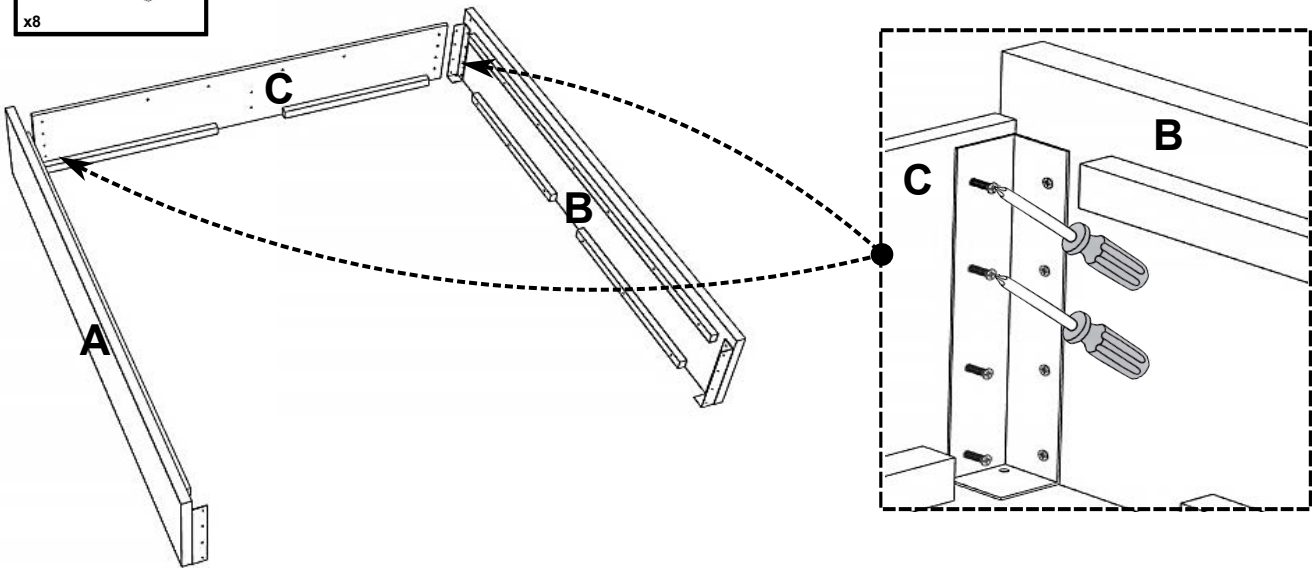
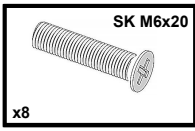
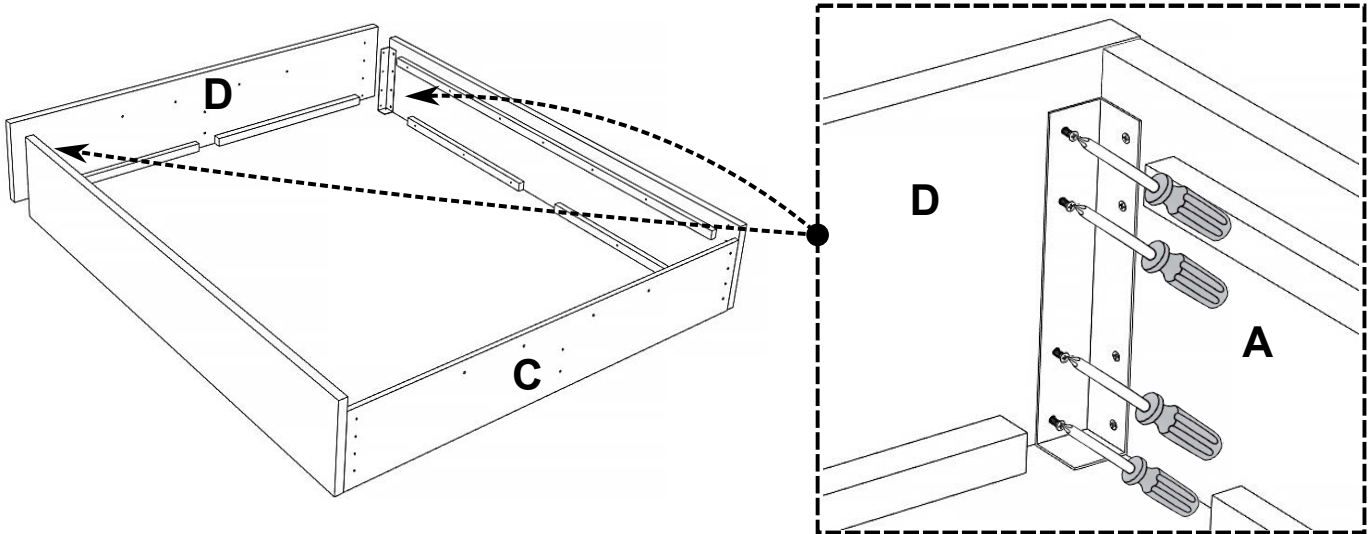
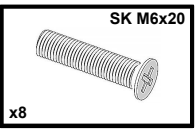
PACK 1	A, B, E
PACK 2	C, D, 2xF
PACK 3	4xG, I
PACK 4	H1, H2
PACK 5	ACCESSORIES
PACK 6	TOPPER

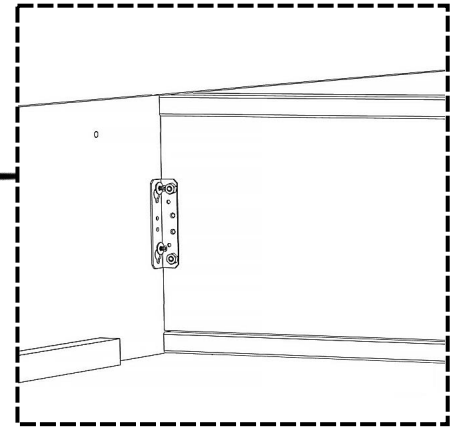
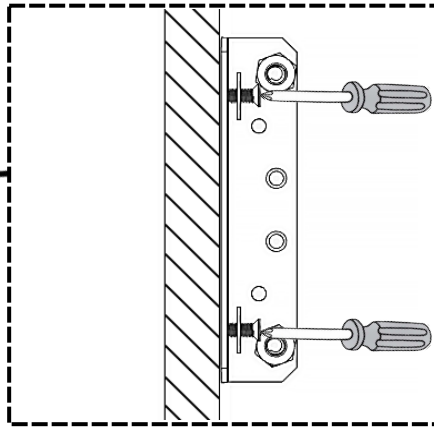
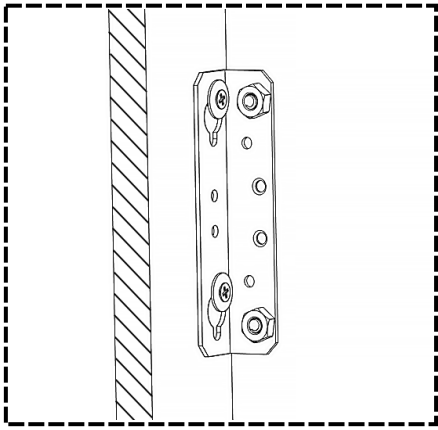
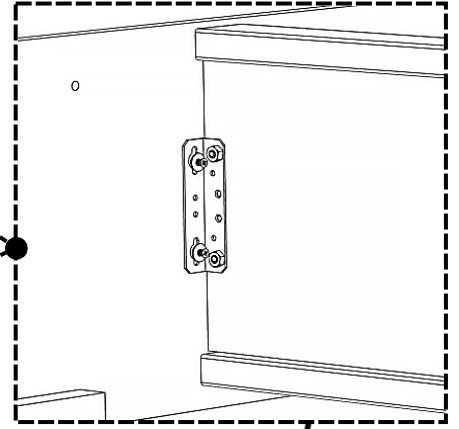
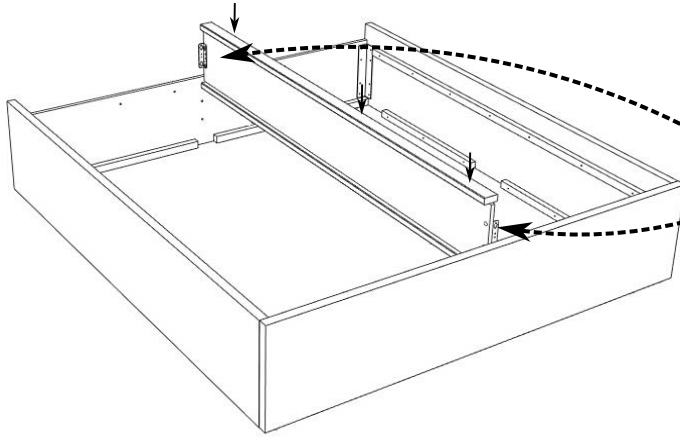
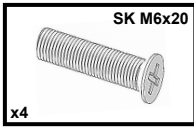
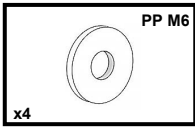
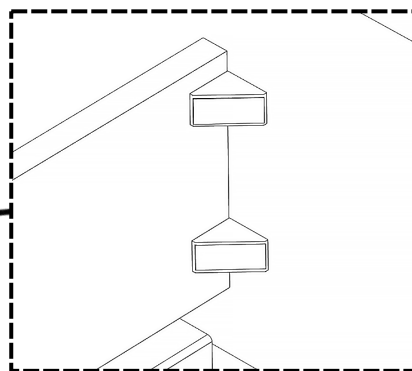
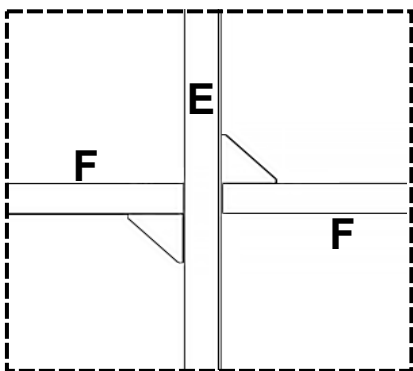
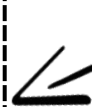
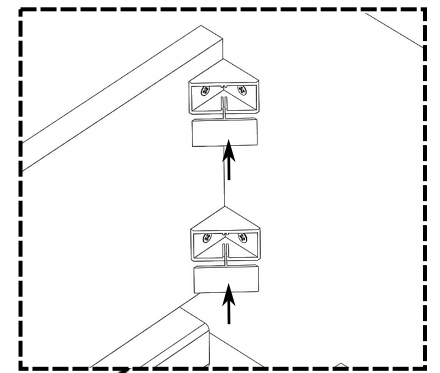
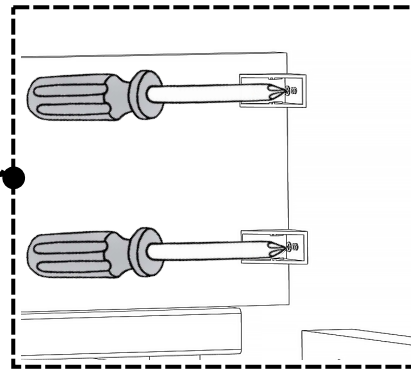
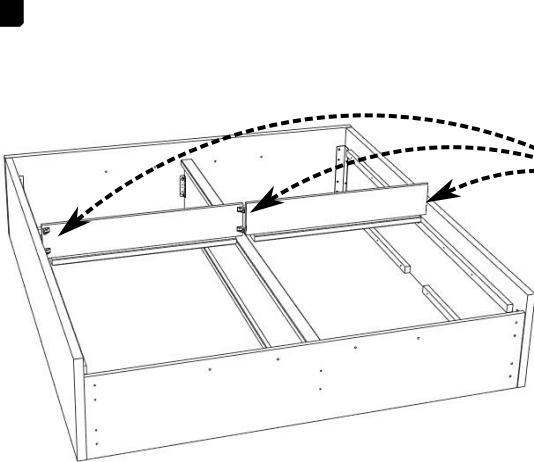
	ver. 160	ver. 180
A	2030x330x50	
B	2030x330x50	
C	1610x250x20	1810x250x20
D	1690x330x50	1890x330x50
E	2010x210x60	
F	800x130x60	900x130x60
G	990x793x3	990x893x3
H1	2000x800x190	2000x900x190
H2	2000x800x190	2000x900x190
I	1800x1200x80	2000x1200x80

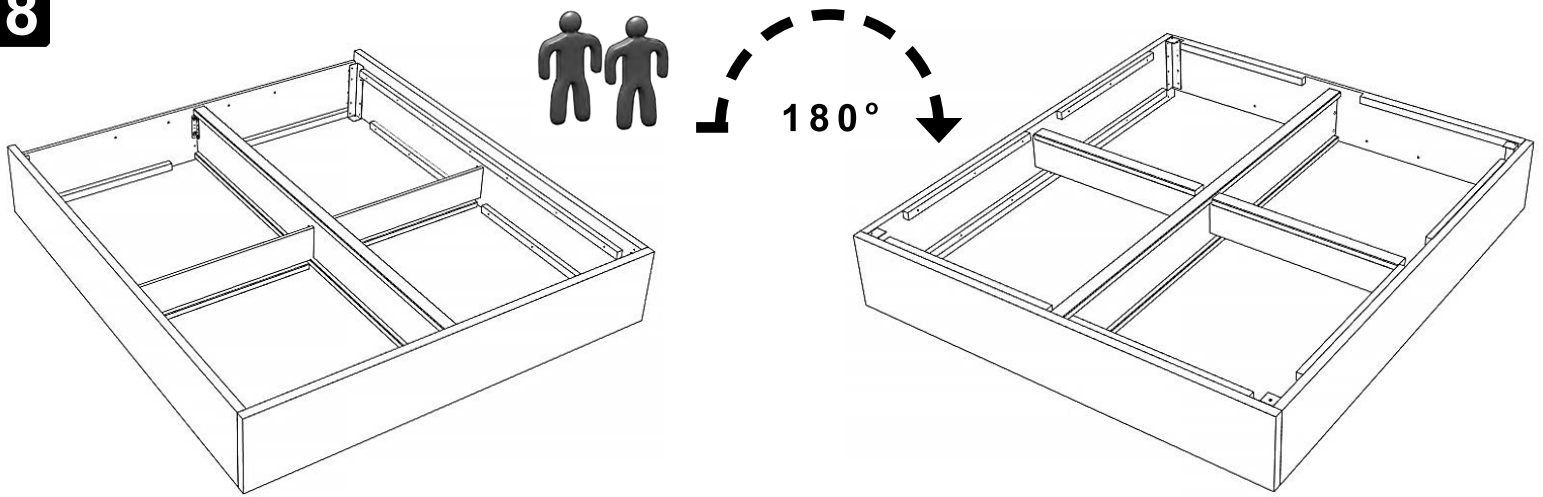
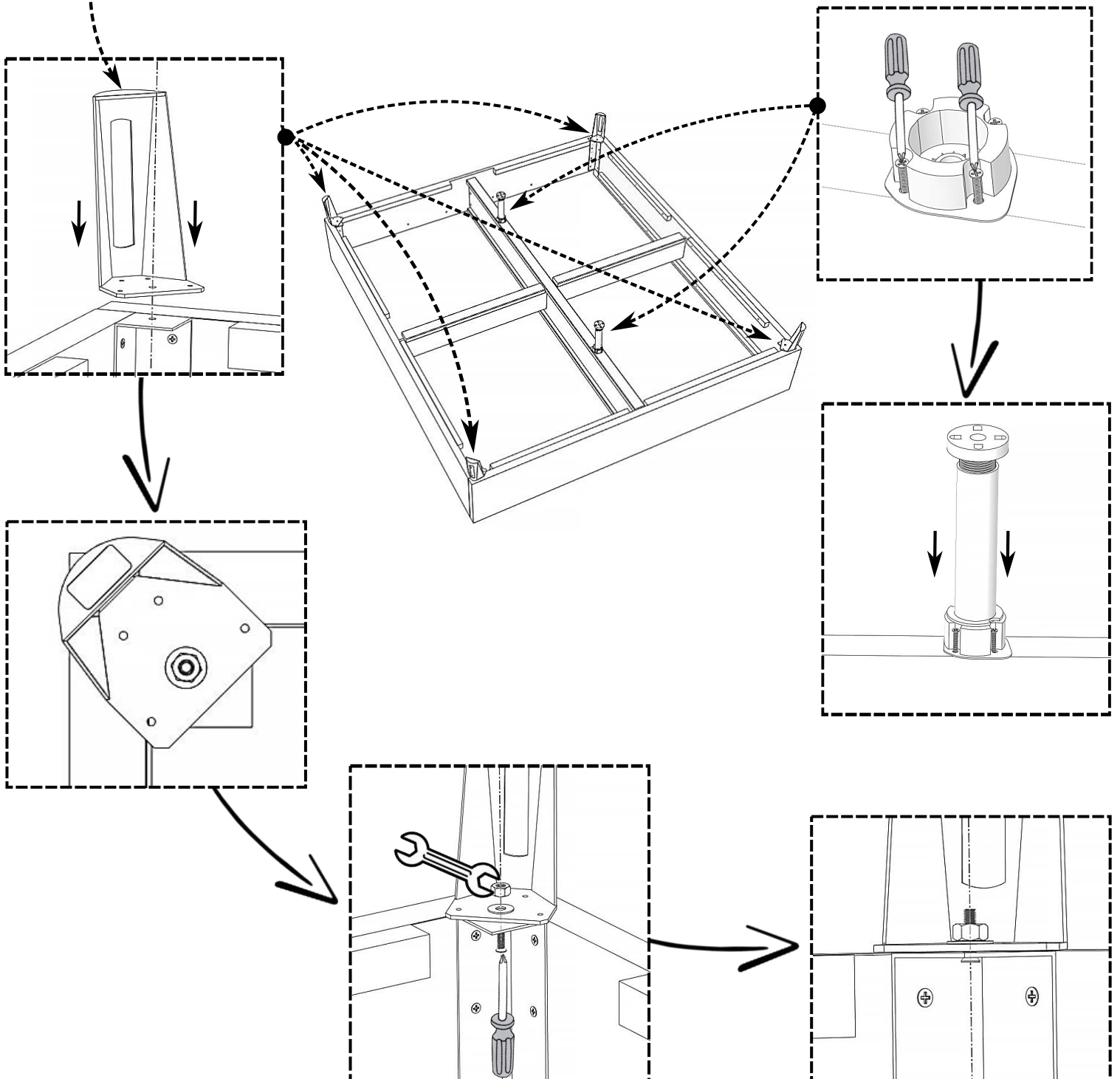
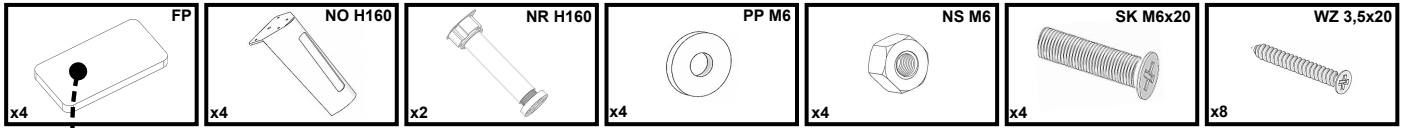




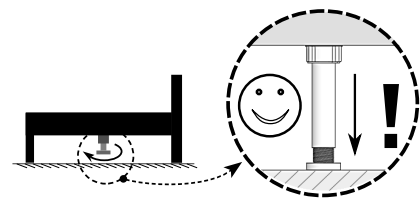
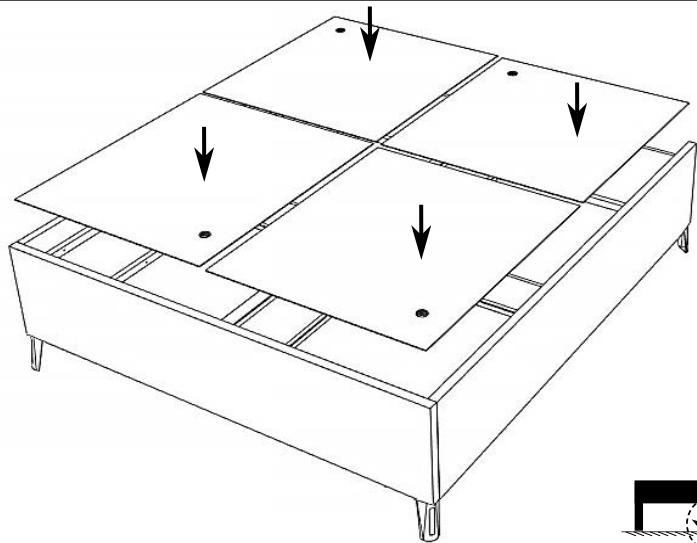
1**2**

3**4****5**

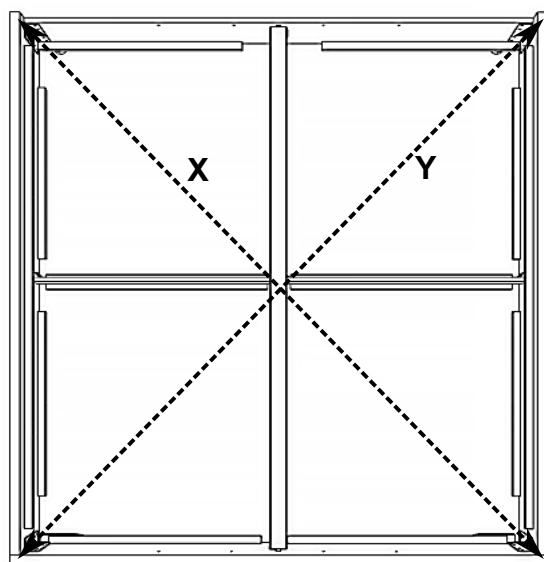
6**7**

8**9**

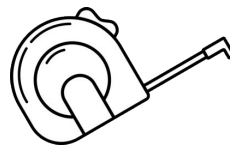
10



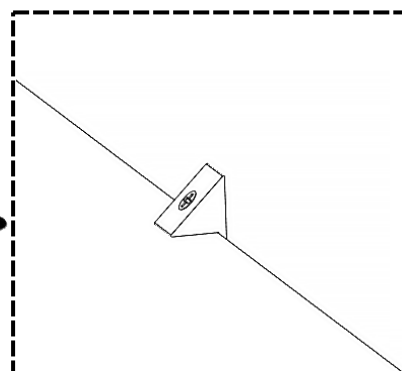
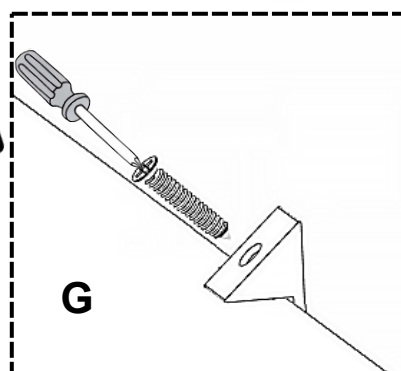
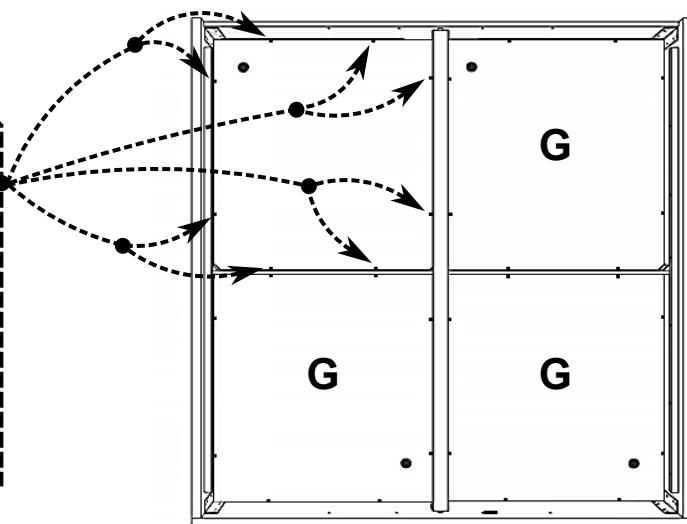
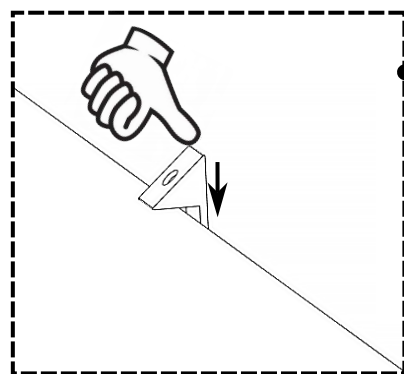
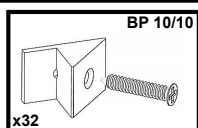
11

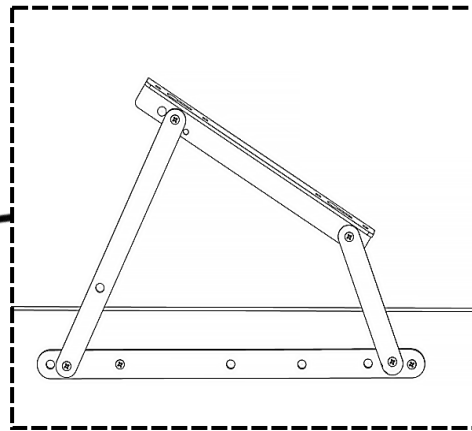
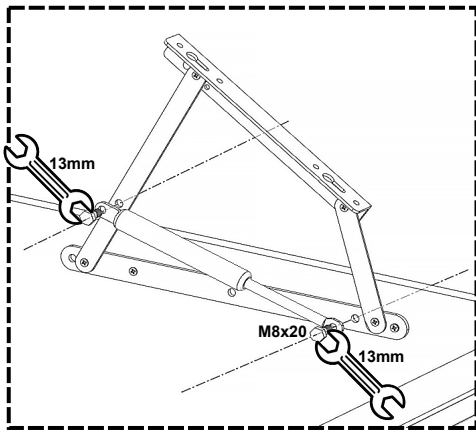
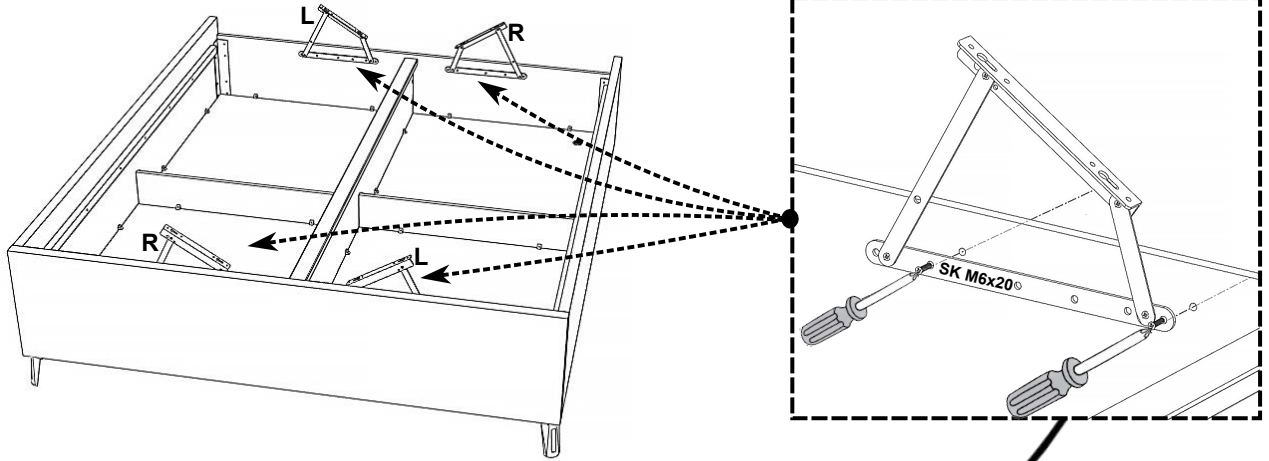
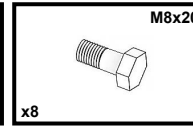
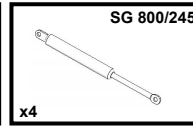
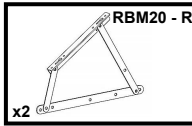
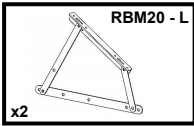
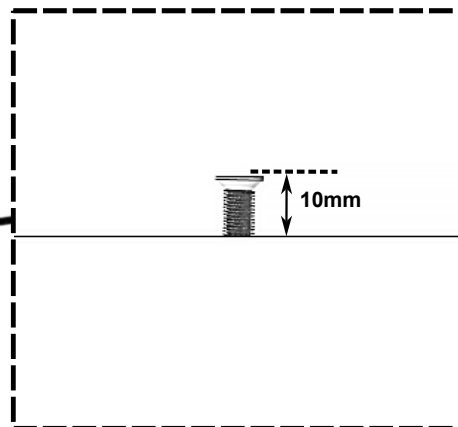
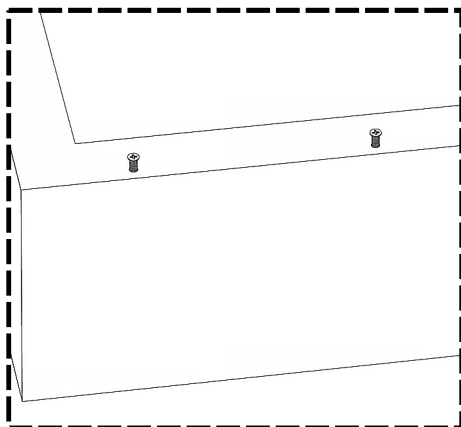
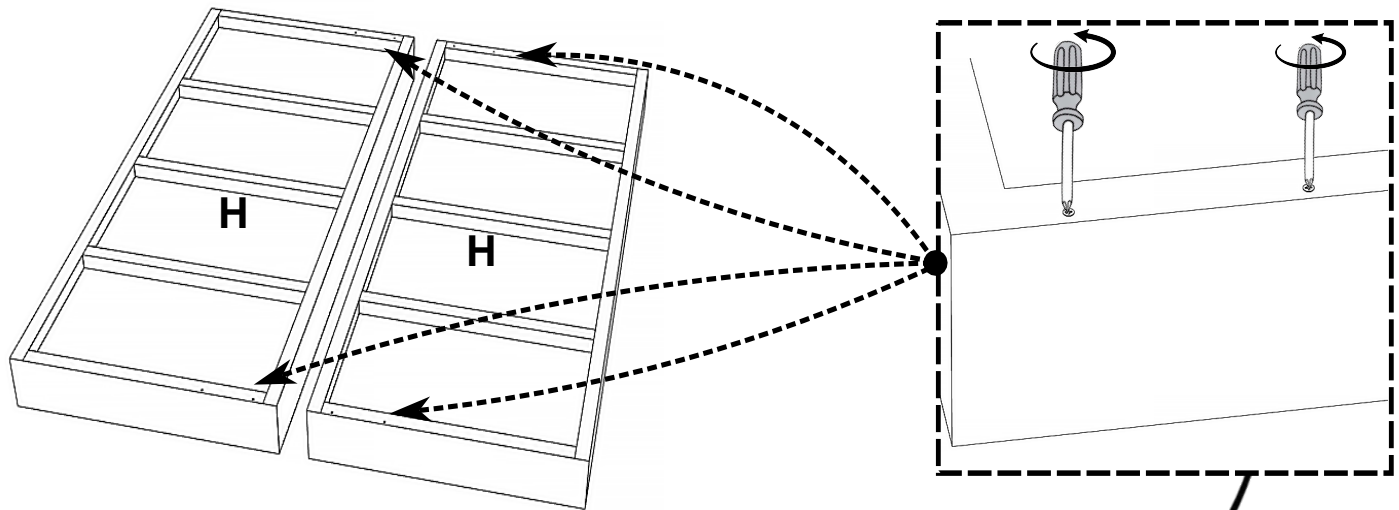


$X=Y$

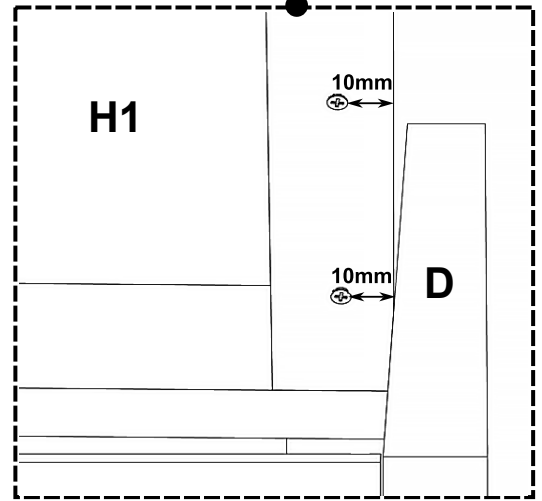
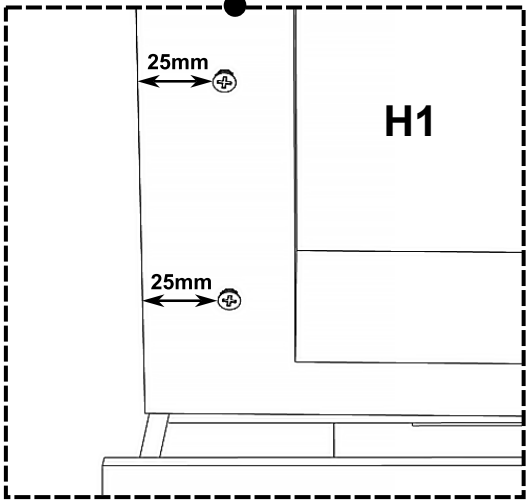
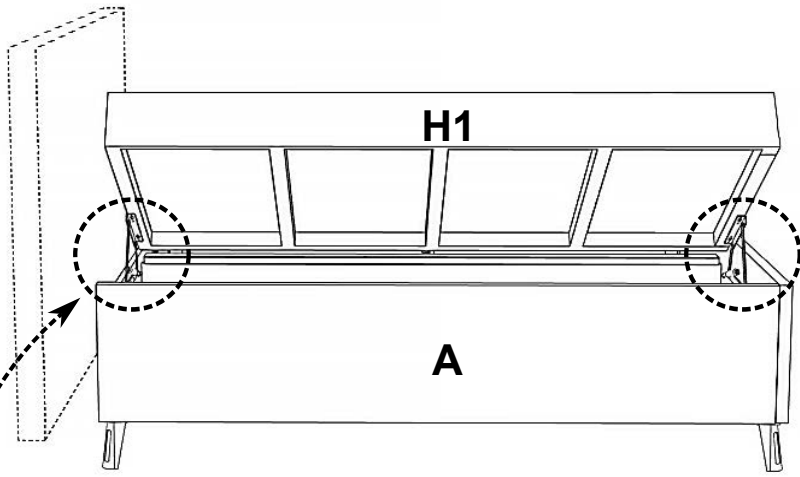


12

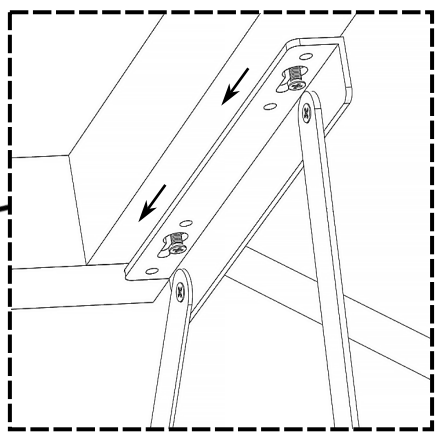
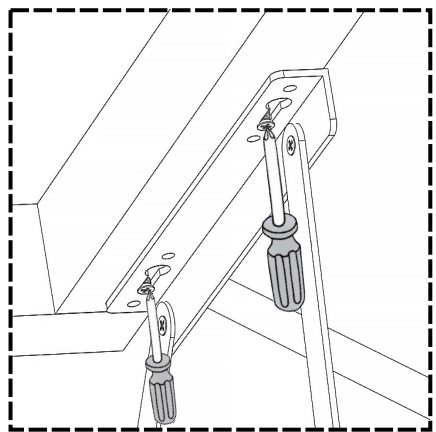
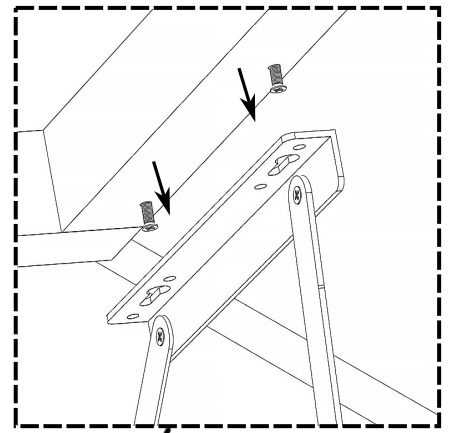
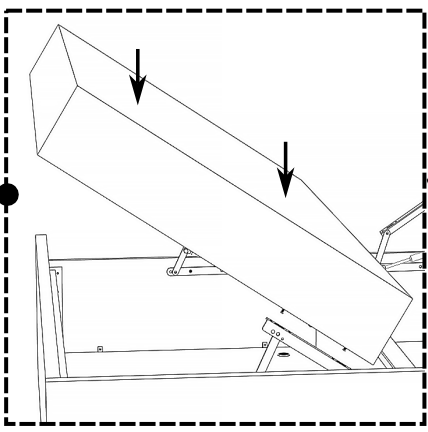
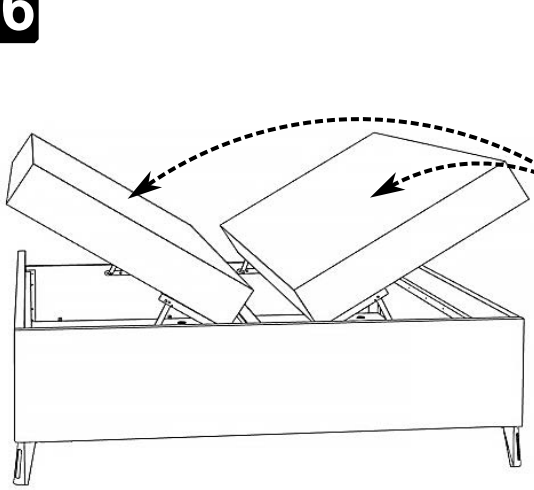


13**14**

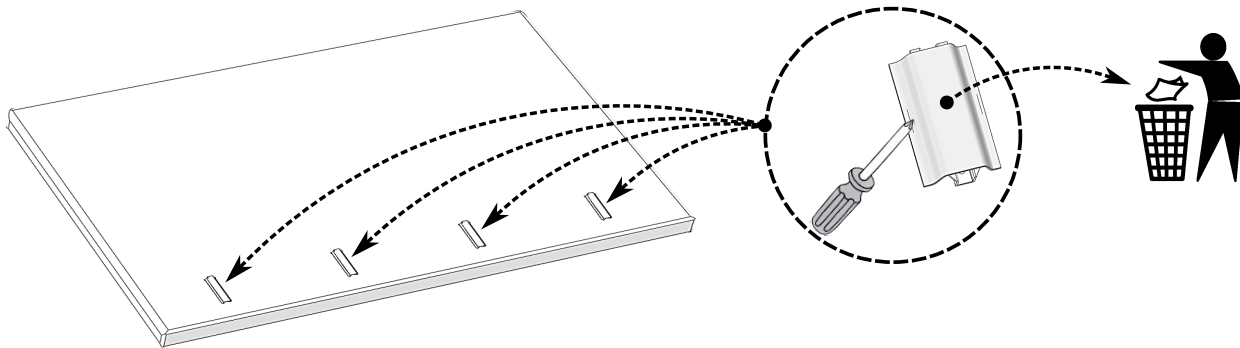
15



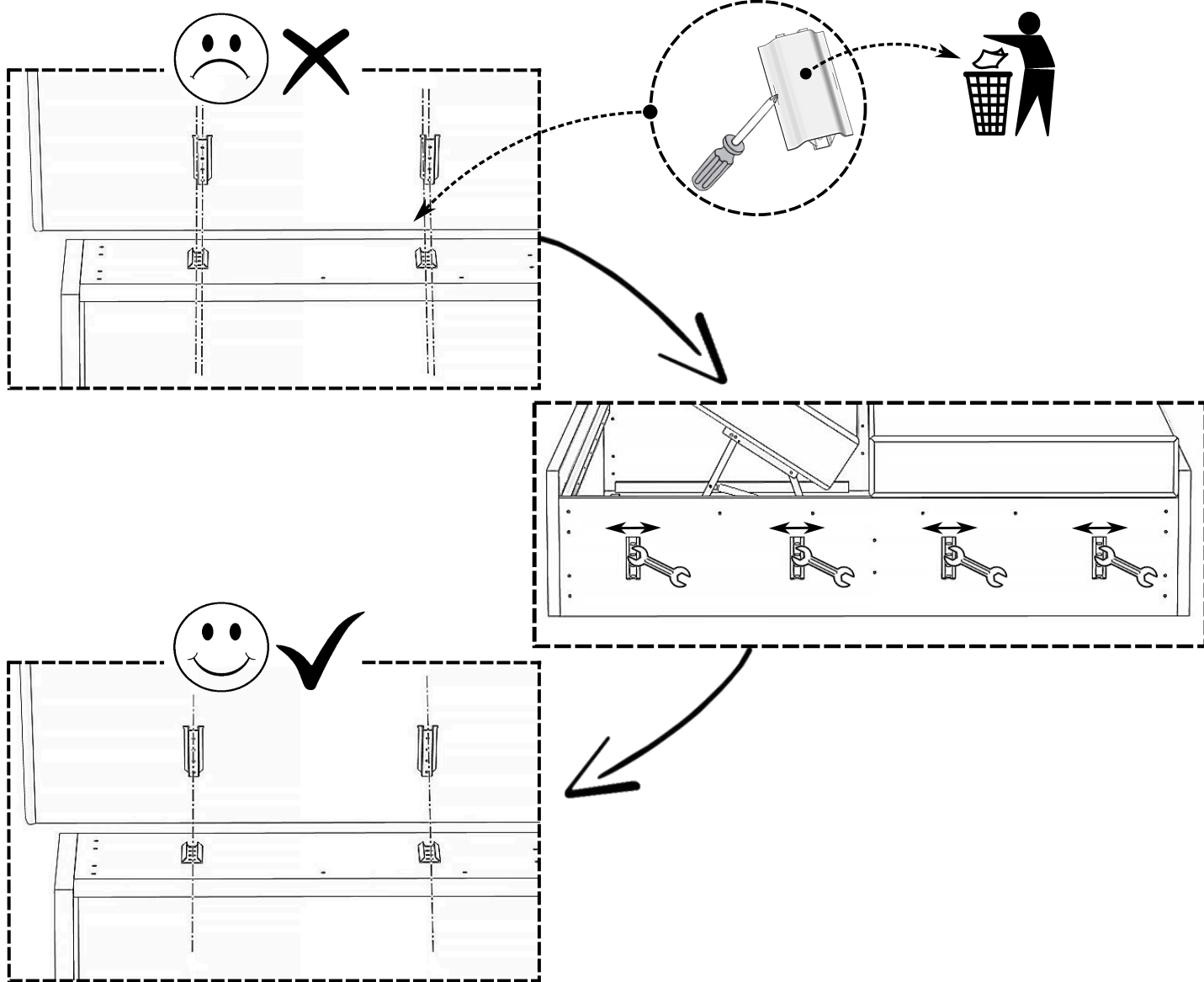
16



17



18



19

