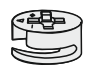
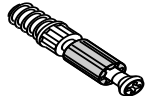

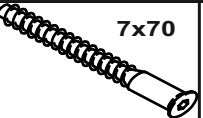
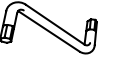

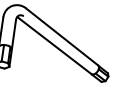

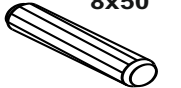
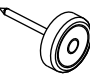



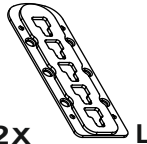
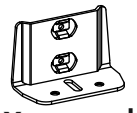

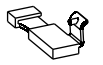
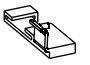




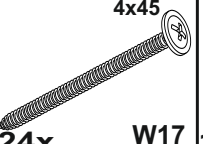
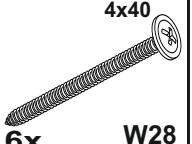



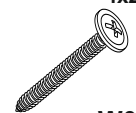


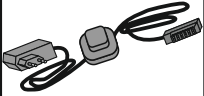
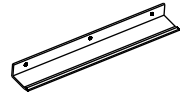

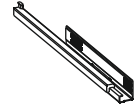

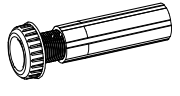
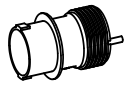

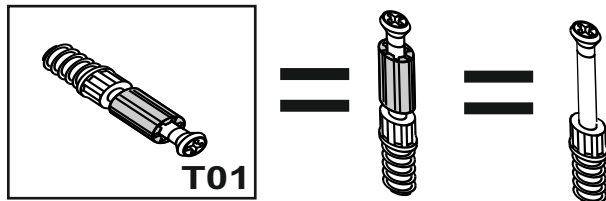
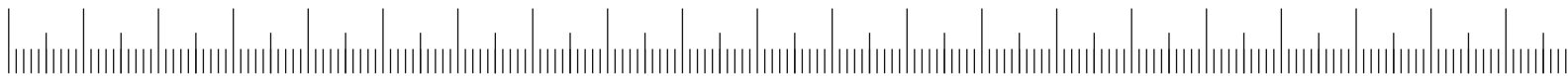
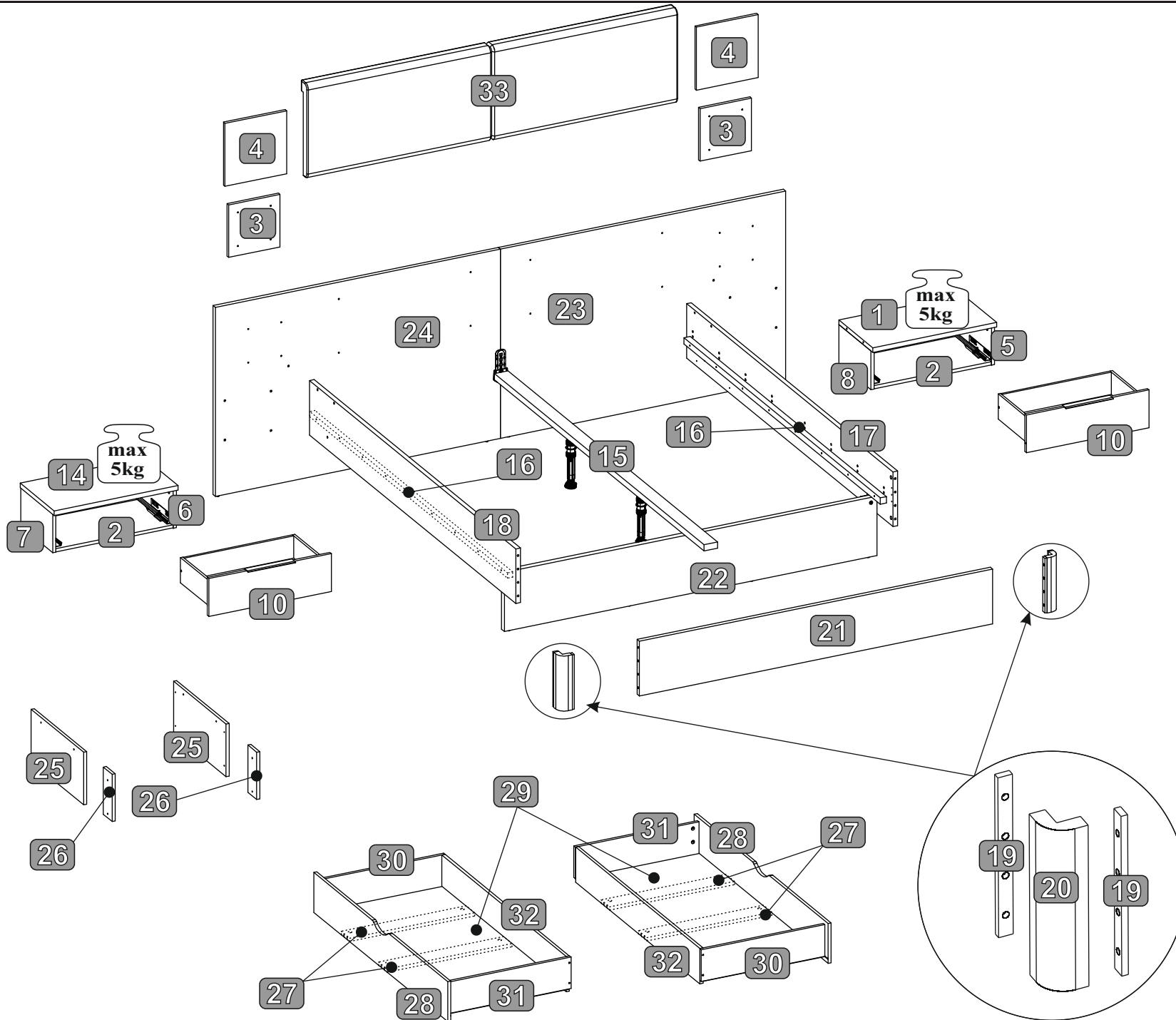
 15x12 50x T02	 12x9,5 4x T12	 46x T01	 4x T03	 7x70 20x W70	 Z4 2x K01	 5x40 12x W16	 L3 2x K02	 8x28 87x D01	 8x50 2x D03
 11x S01	 8x R01	 Ø20 16x C02a	 8x G10	 2x L02	 2x L09	 4x16 16x W25	 2x B12L	 2x B12R	 6x11 8x W12
 3 x13 6x W03	 3,5x13 8x W02	 3,5x16 56x W26	 4x45 24x W17	 4x40 16x W28	 8x I05	 3,5x16 16x W30	 2x S23	 4x25 4x W05	 4x30 2x W23
 2x LED	 1x O51	 2x U29	 2x P05L	 2x P05R	 4x K80	 2x NOG	 4x REG	 4x30 4x W54	

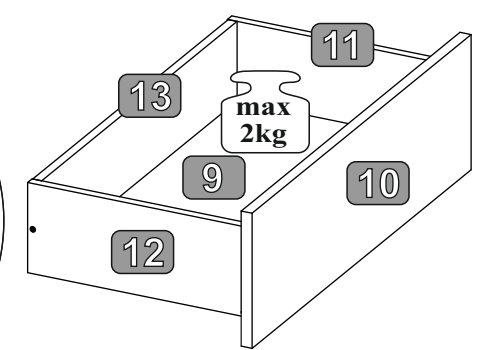


0 10 20 30 40 50 60 70 80 90 100 110 120 130 140 150 160 170 180 190 200

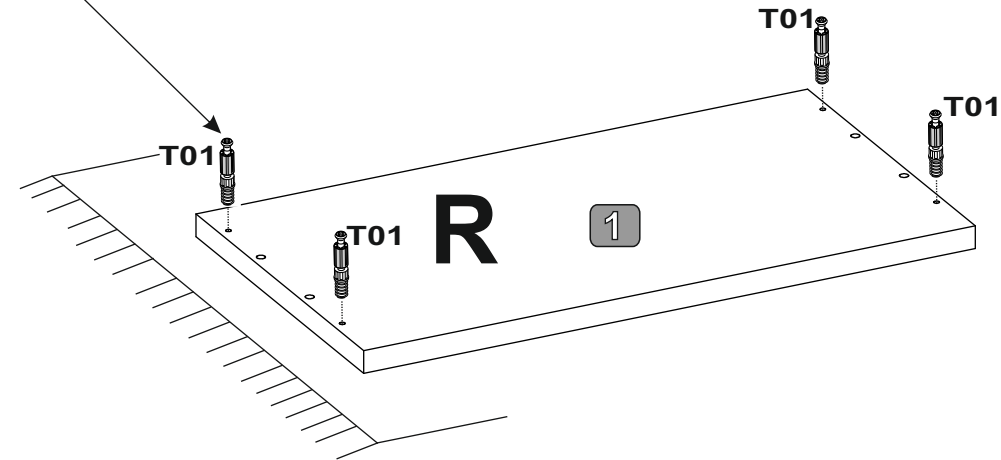
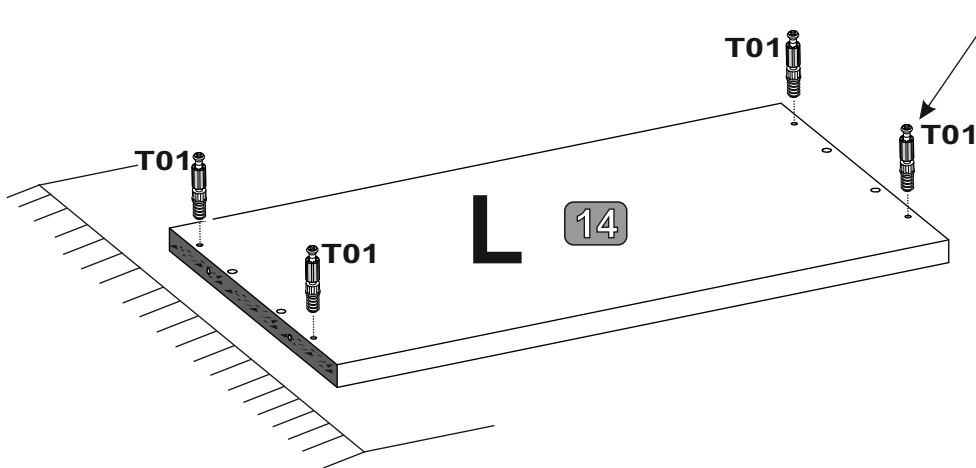
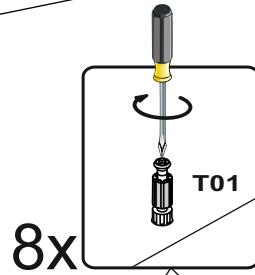
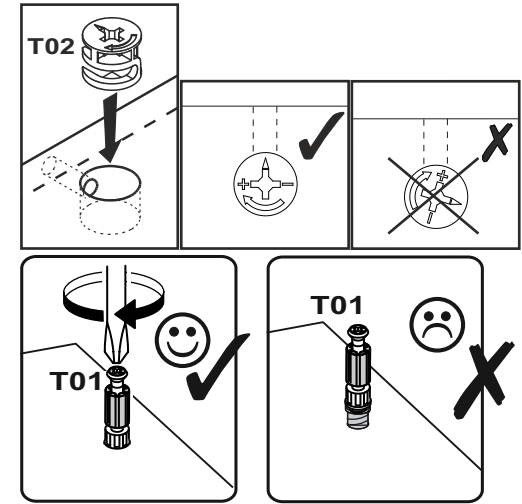
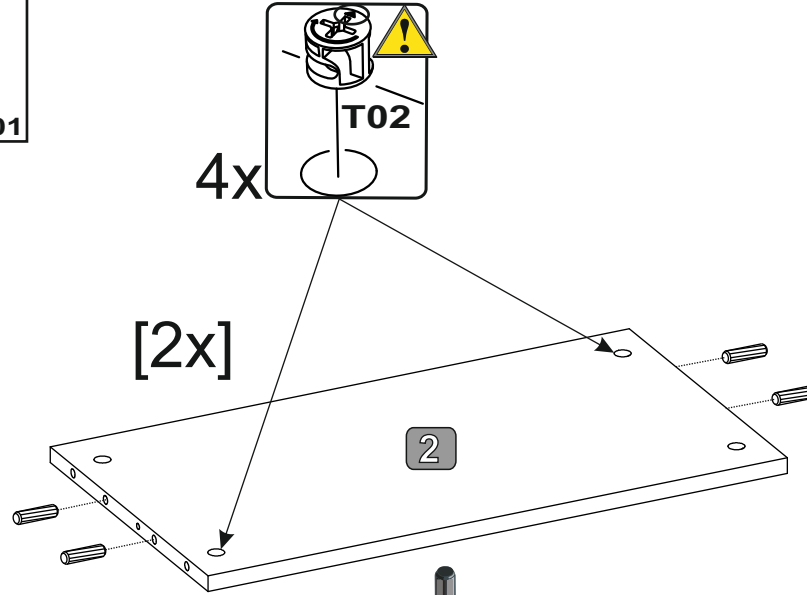
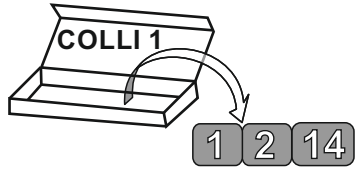
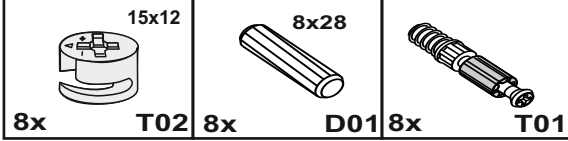




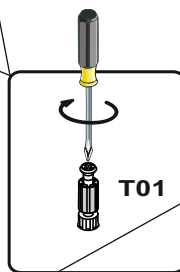
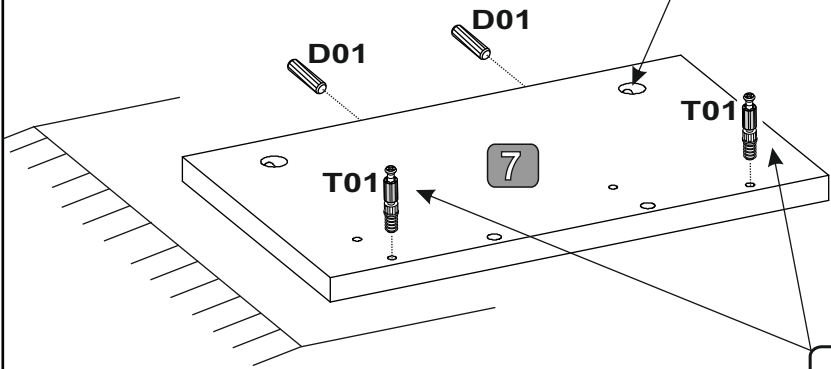
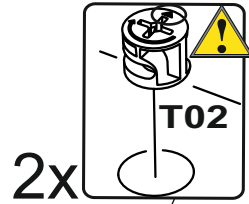
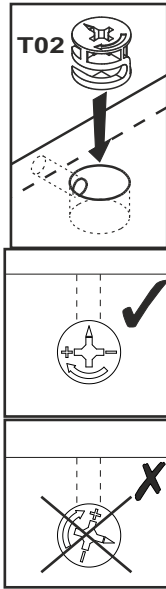
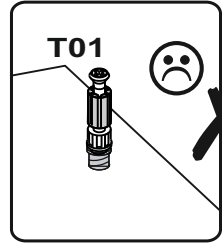
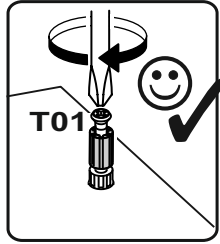
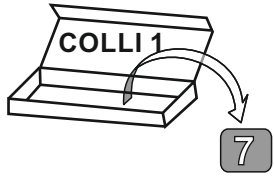
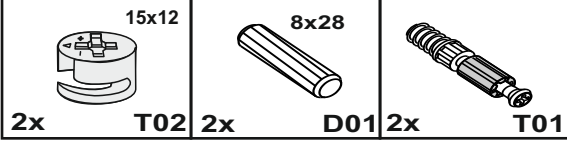
NR	DIM	QTE	COLLI
1	602x330x22	1	1/6
2	570x311x15	2	1/6
3	250x250x15	2	1/6
4	300x300x15	2	1/6
5	185x312x15	1	1/6
6	185x312x15	1	1/6
7	185x312x15	1	1/6
8	185x312x15	1	1/6
9	542x300x2	2	1/6
10	595x180x15	2	1/6
11	300x120x12	2	1/6
12	300x120x12	2	1/6
13	531x120x12	2	1/6
14	602x330x22	1	1/6
15	2036x65x30	1	2/6
16	1906x30x30	2	2/6
17	2003x260x22	1	2/6
18	2003x260x22	1	2/6
19	260x22x10	4	3/6
20	262x60x60	2	3/6
21	1716x260x22	1	3/6
22	1810x282x28	1	3/6
23	1385x900x22	1	4/6
24	1385x900x22	1	4/6
25	510x250x15	2	5/6
26	86x225x15	2	5/6
27	584x80x15	4	5/6
28	1300x190x15	2	5/6
29	1237x597x2	2	5/6
30	600x150x15	2	5/6
31	600x150x15	2	5/6
32	1208x168x15	2	5/6
33	1800x450x62	1	6/6



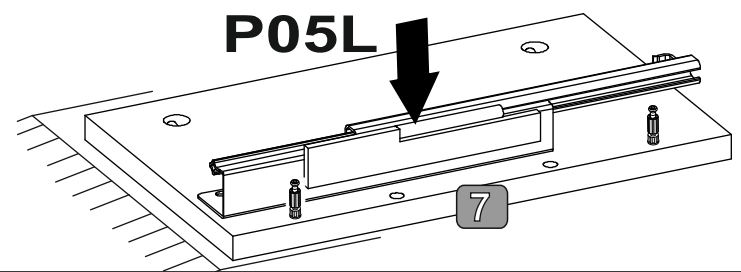
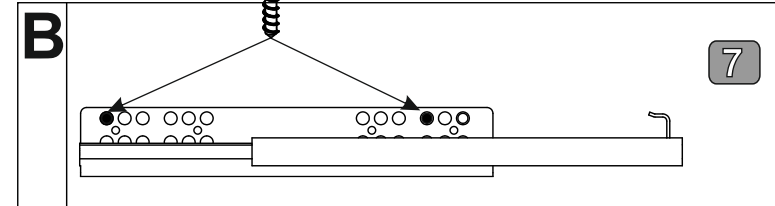
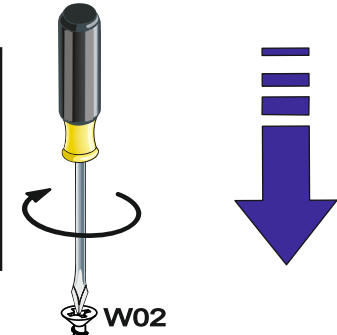
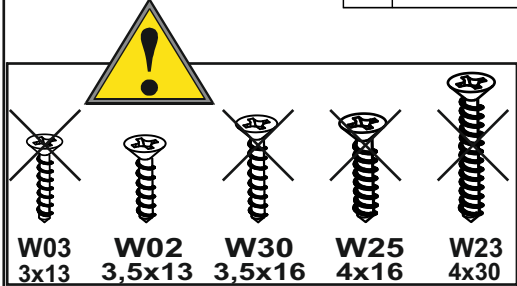
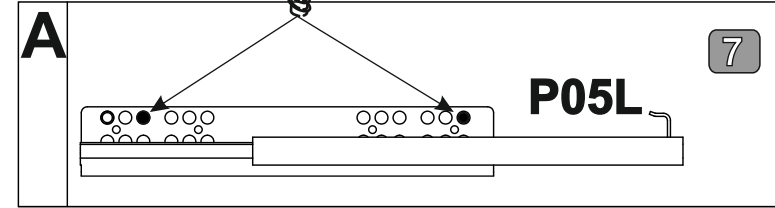
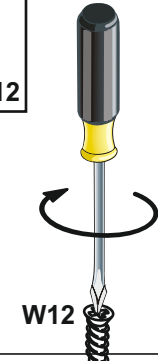
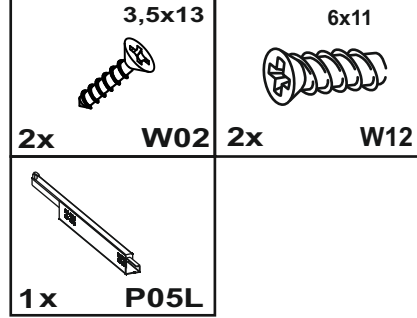
1



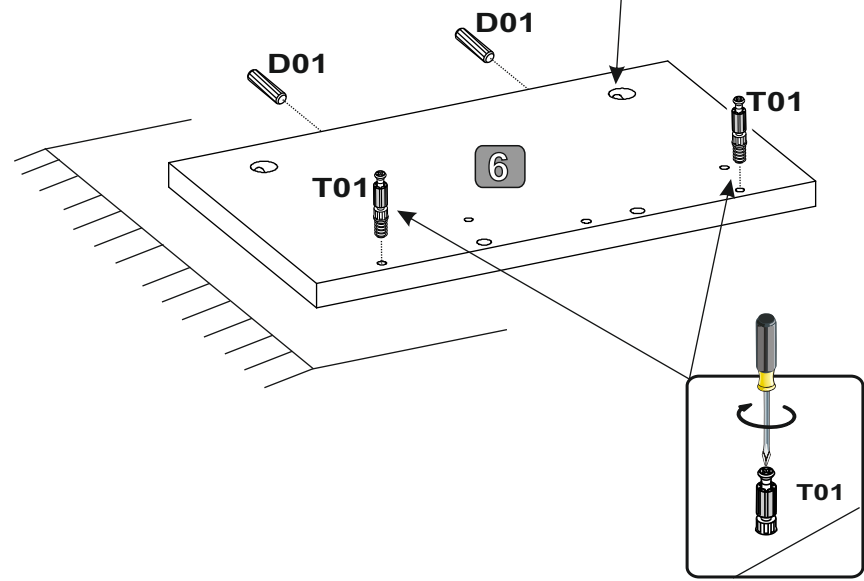
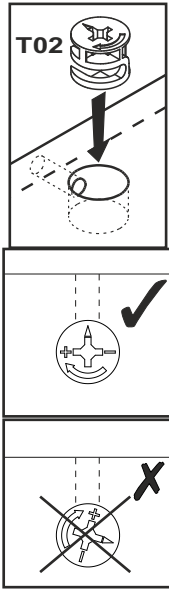
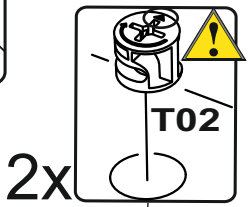
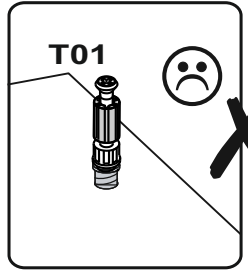
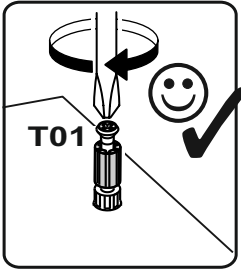
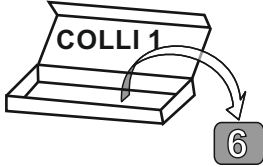
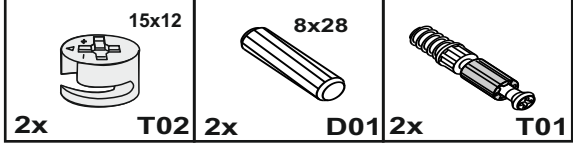
2



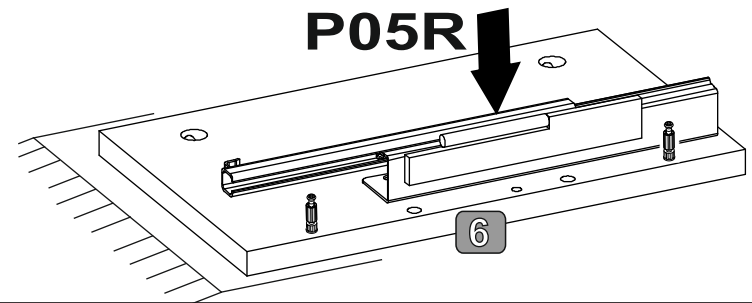
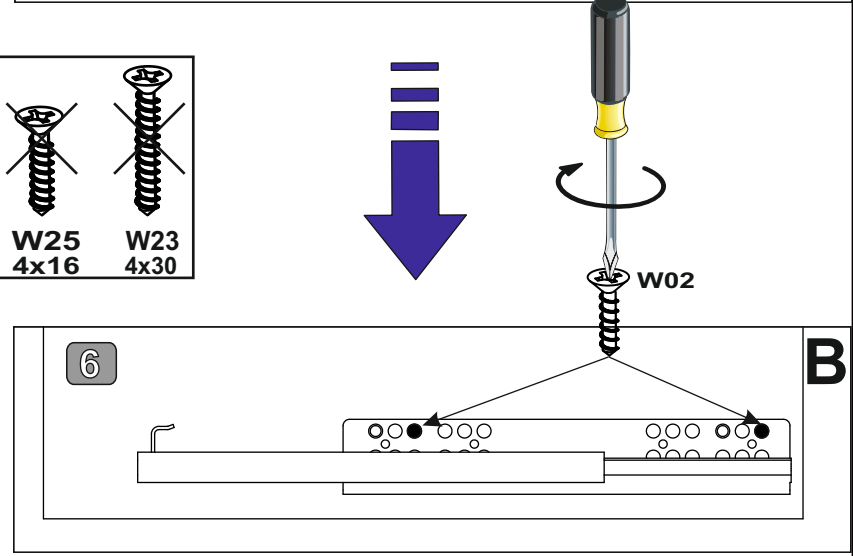
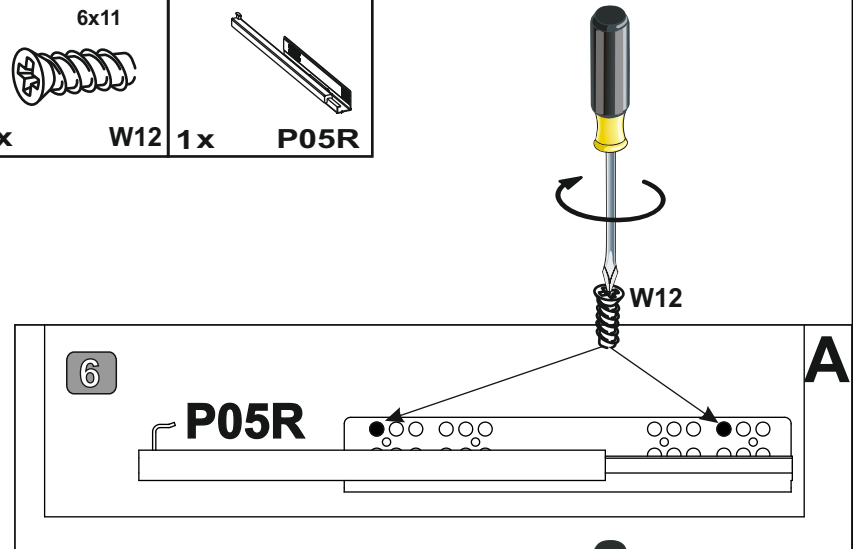
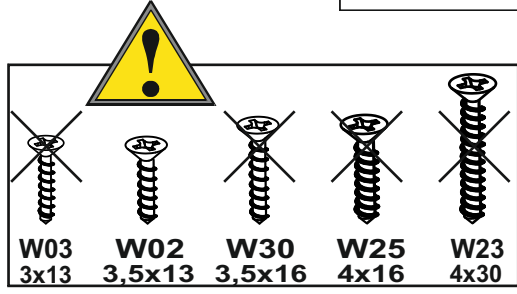
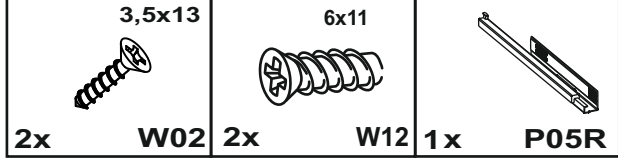
3



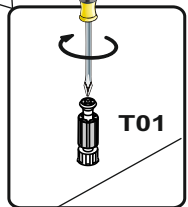
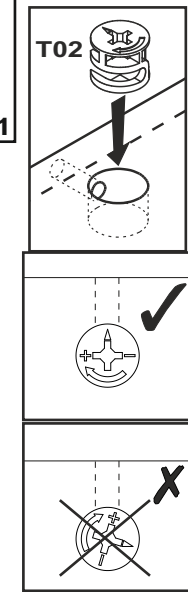
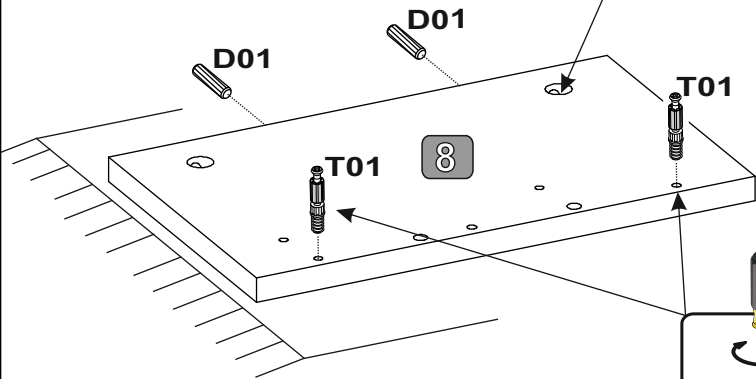
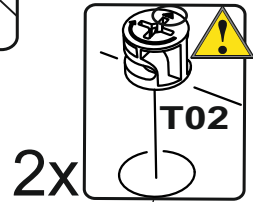
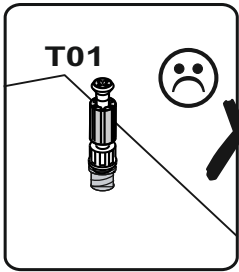
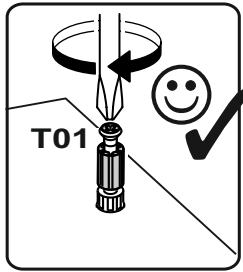
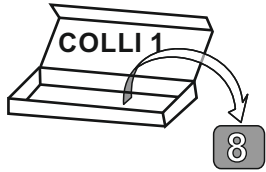
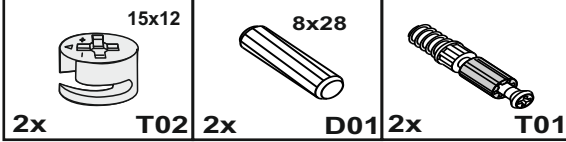
## 4



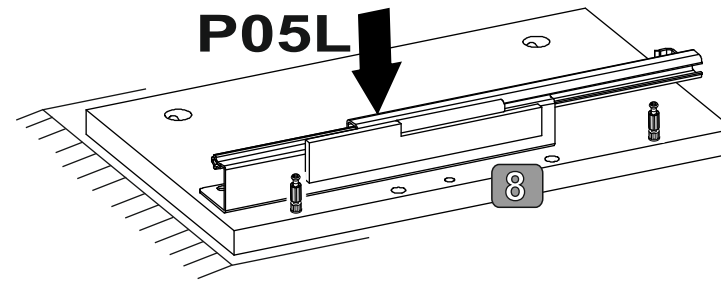
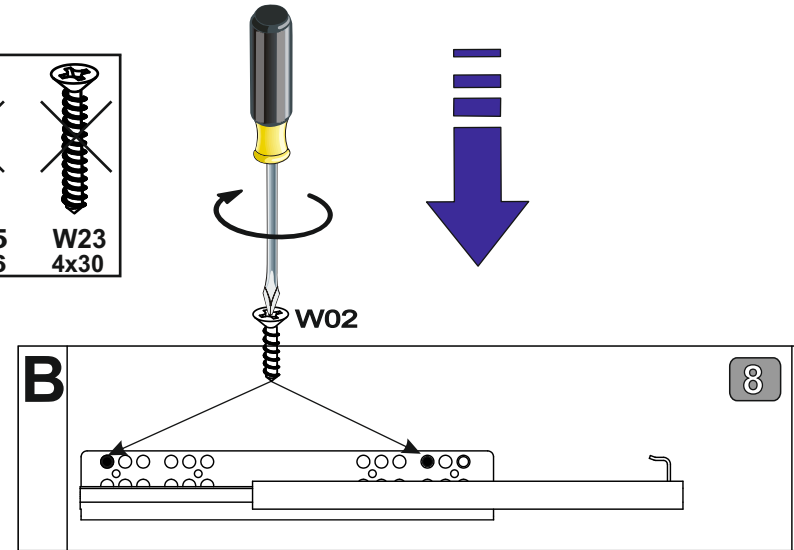
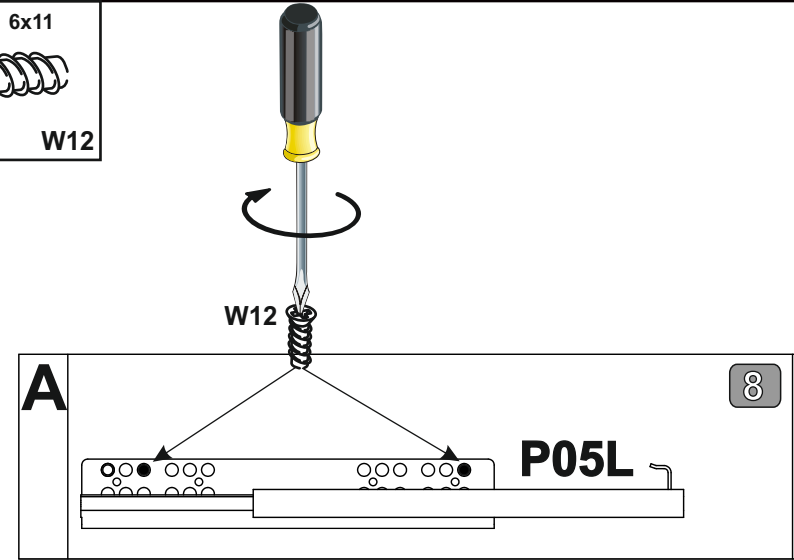
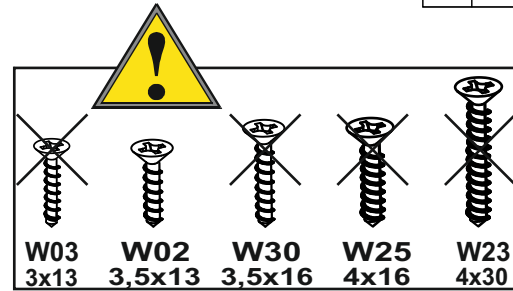
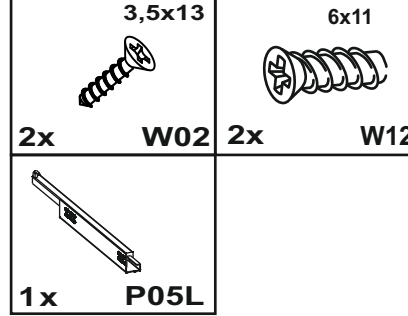
## 5



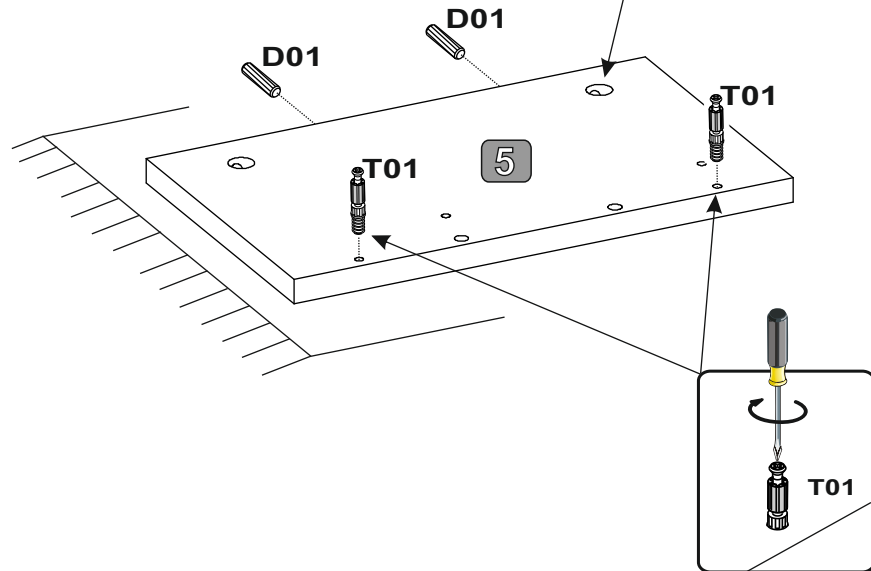
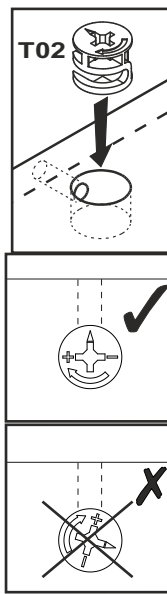
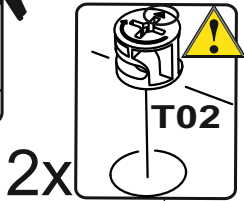
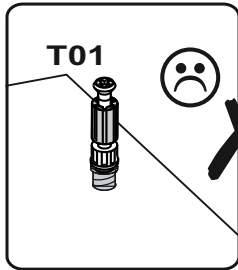
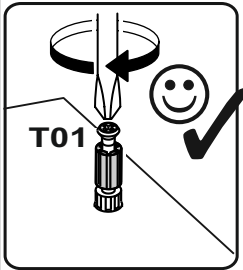
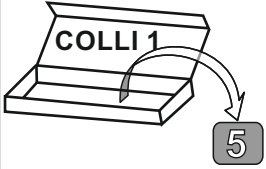
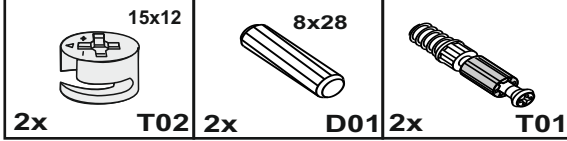
6



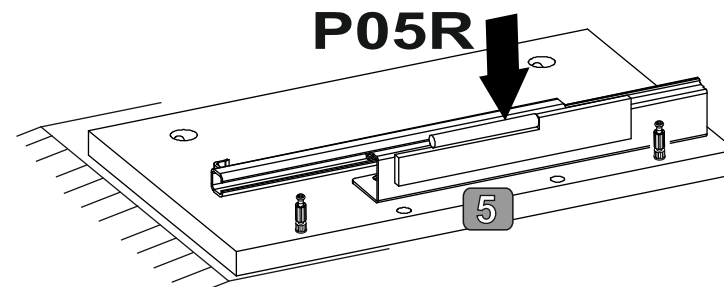
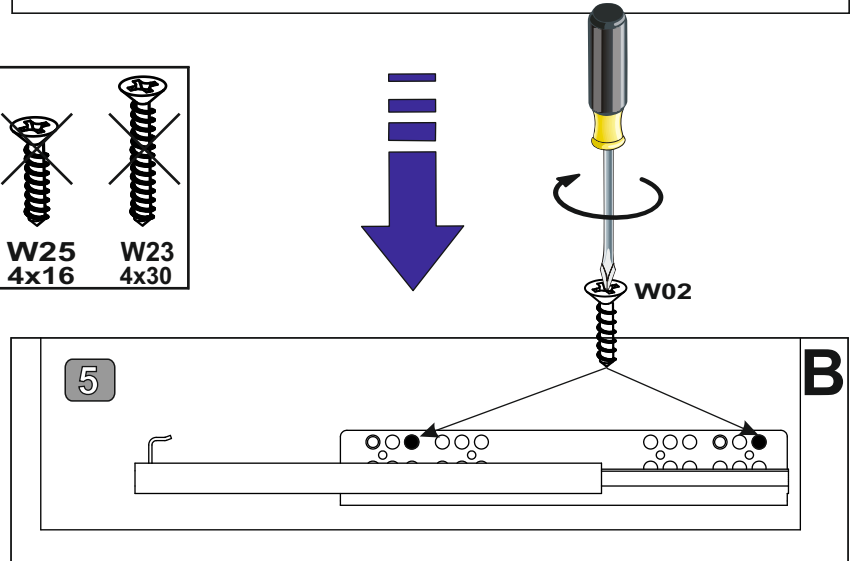
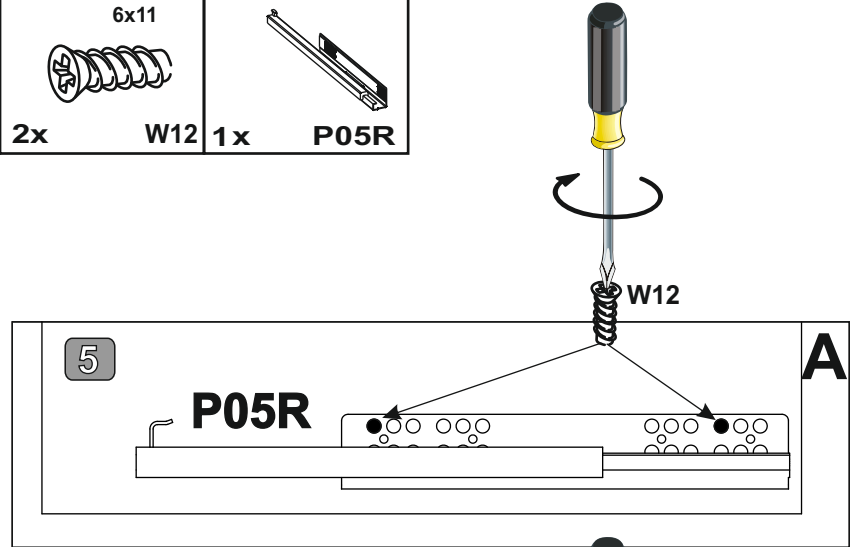
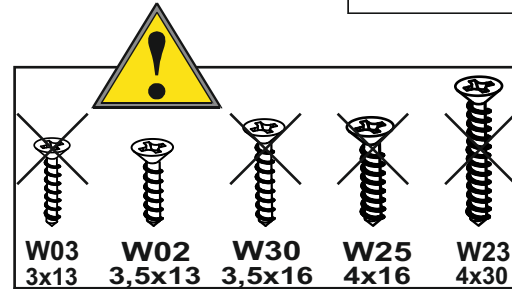
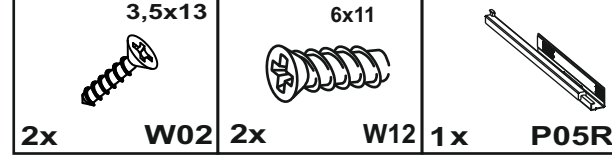
7



## 8

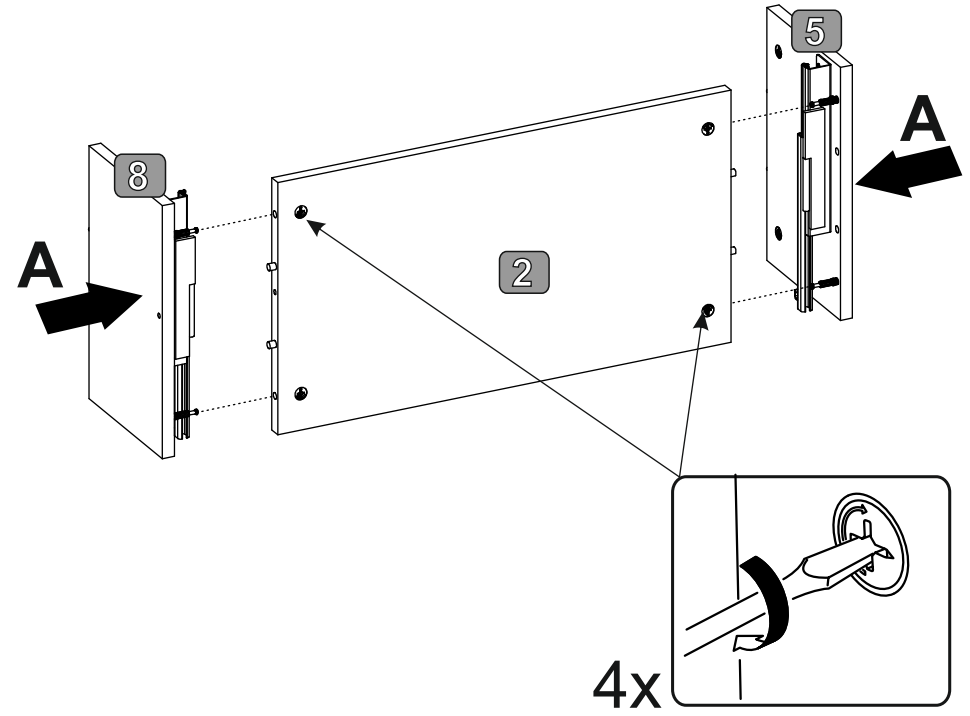
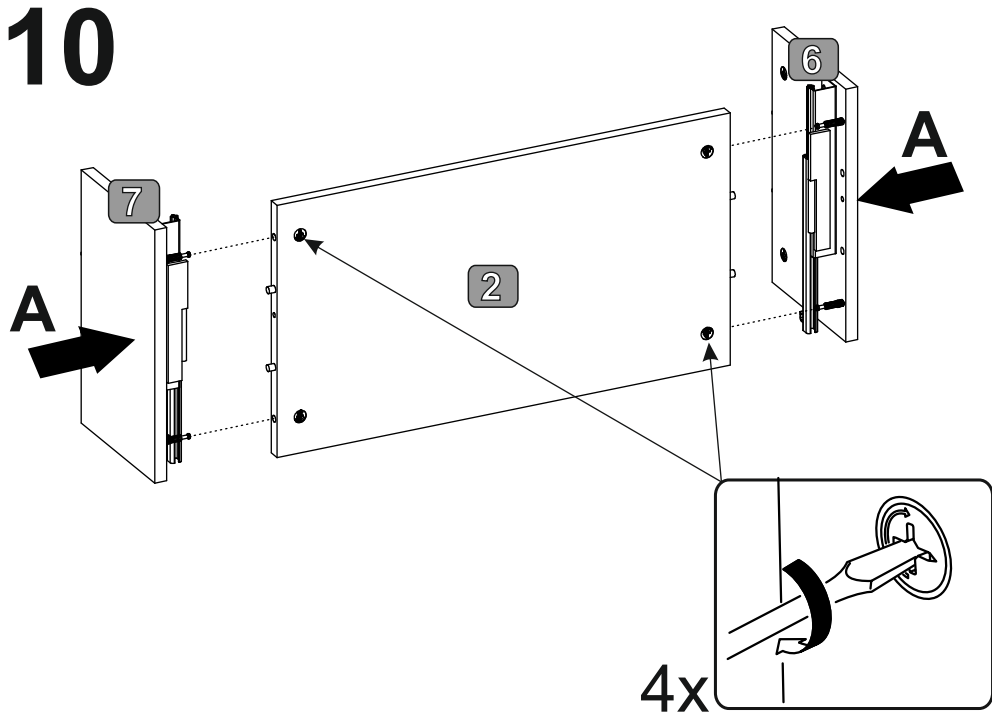


## 9

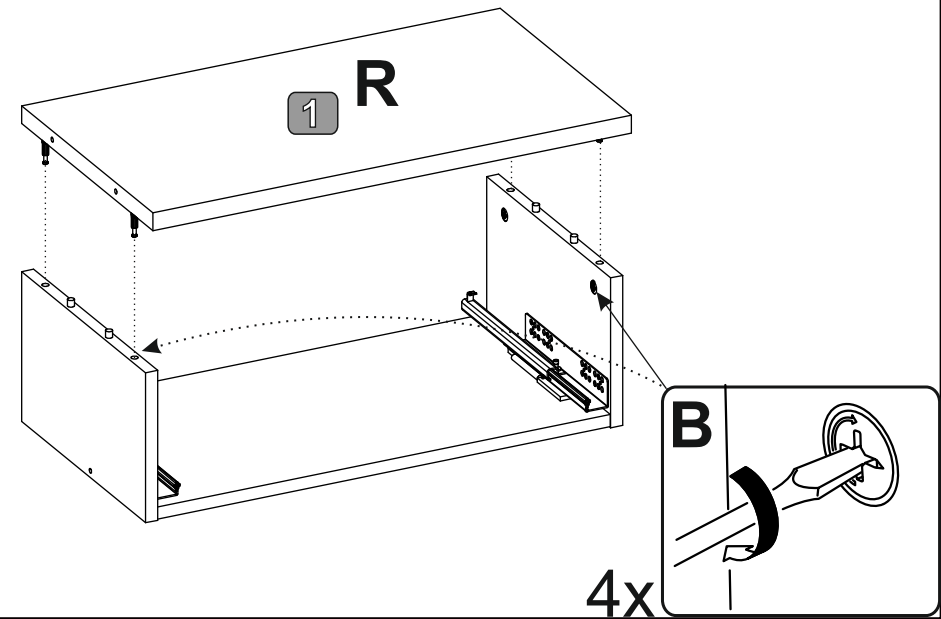
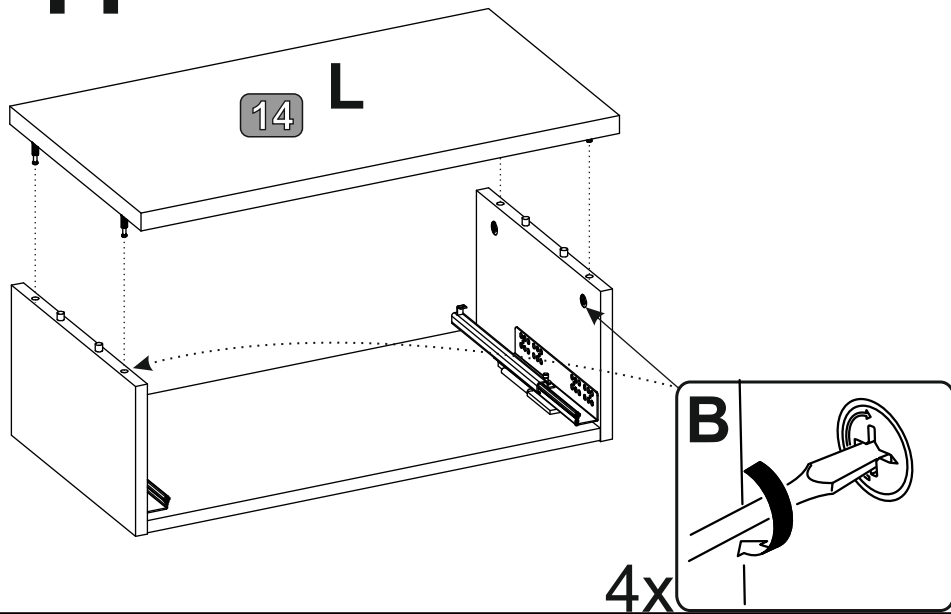




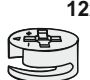
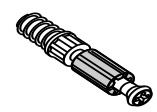
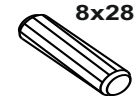
10




11



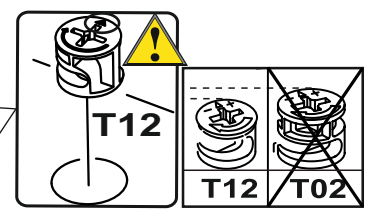
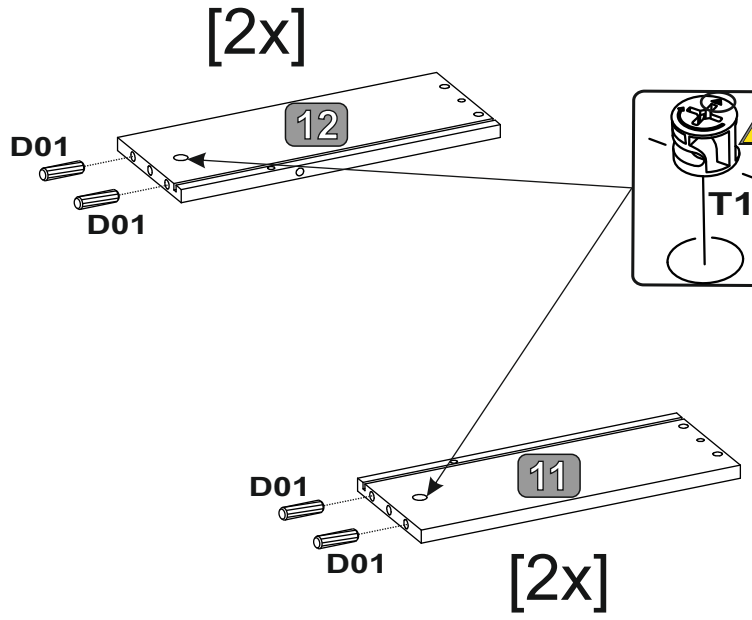
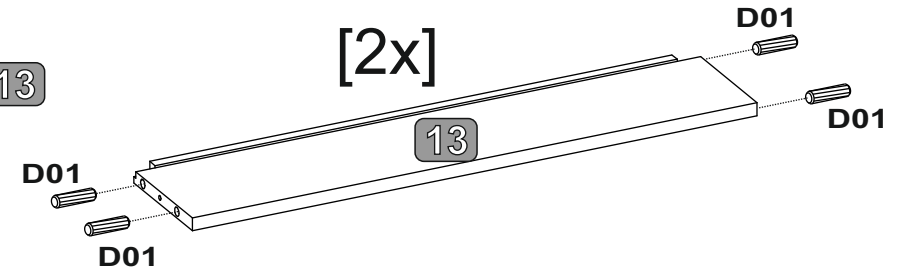
12

 12x9,5 4x T12	 4x T01	 8x28 16x D01
---	---	--

COLLI 1



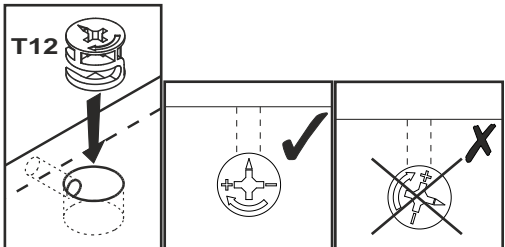
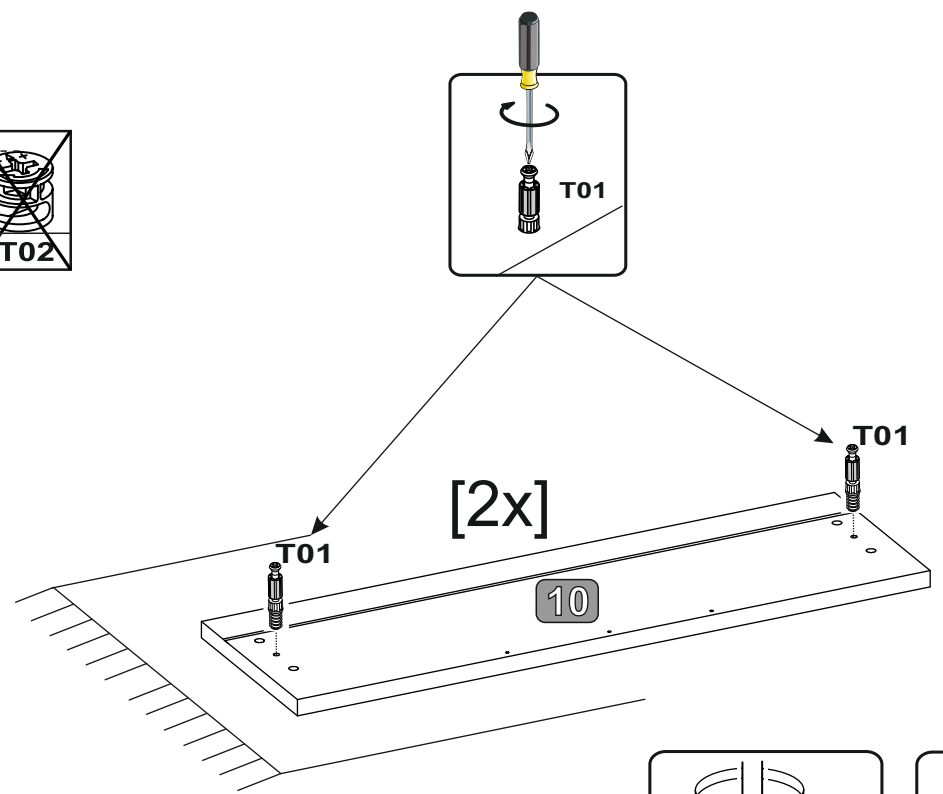
9 10 11 12 13



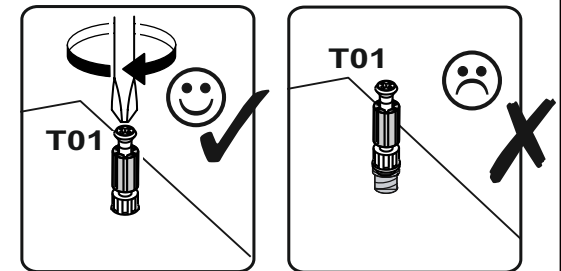
T12

T12

T02






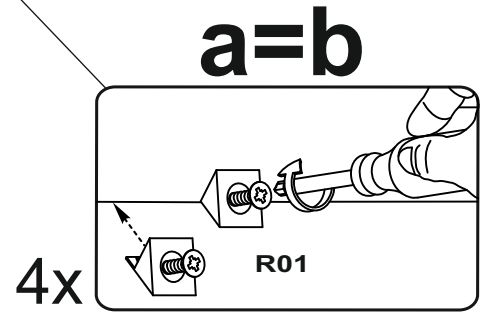
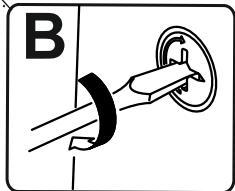
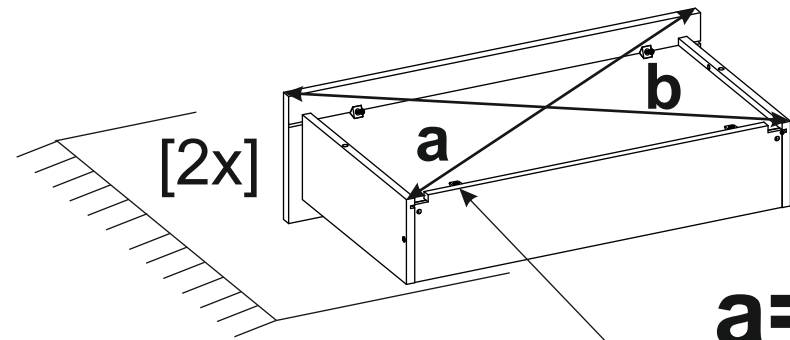
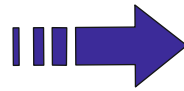
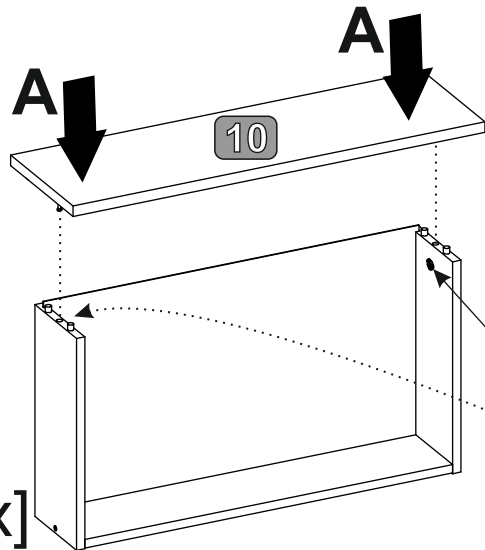
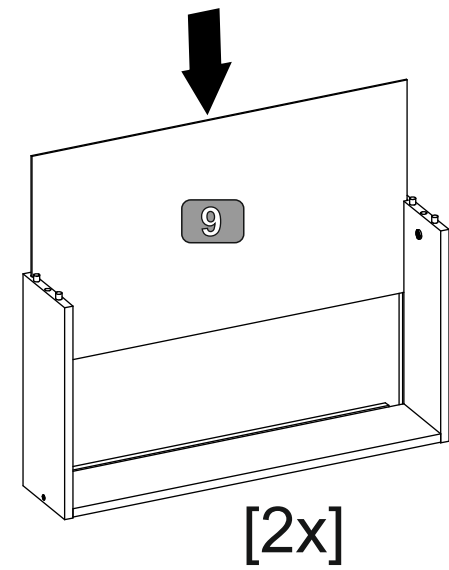
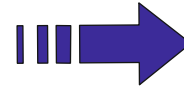
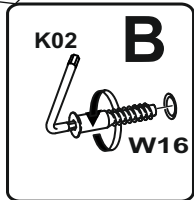
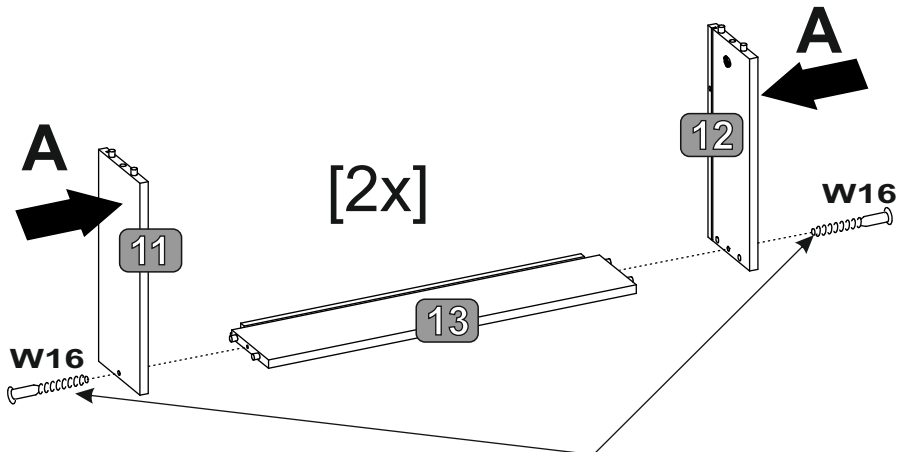
T12



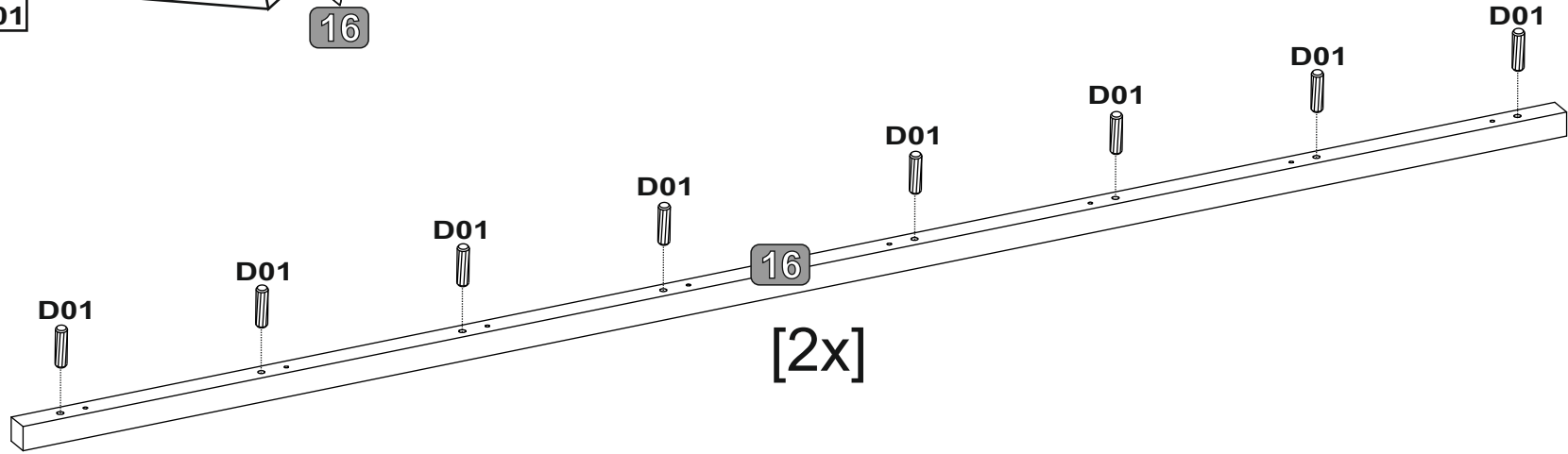
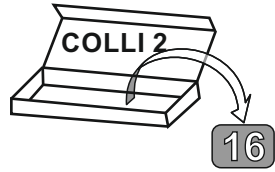
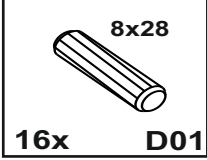
T01

13

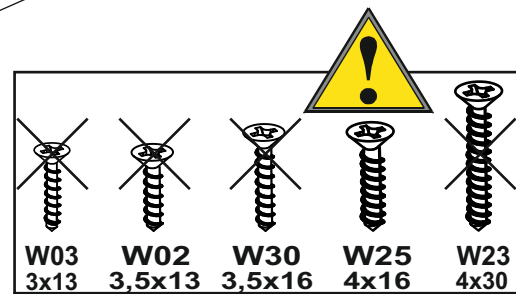
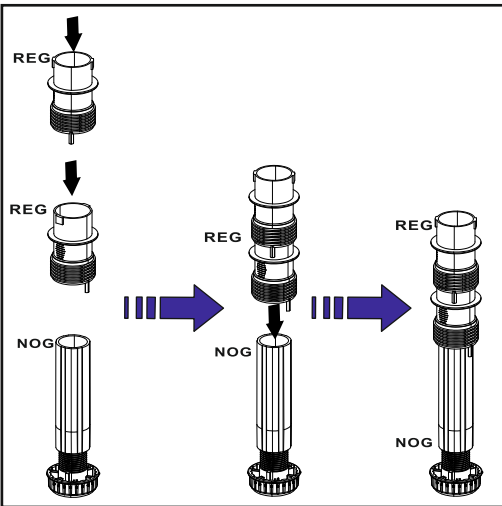
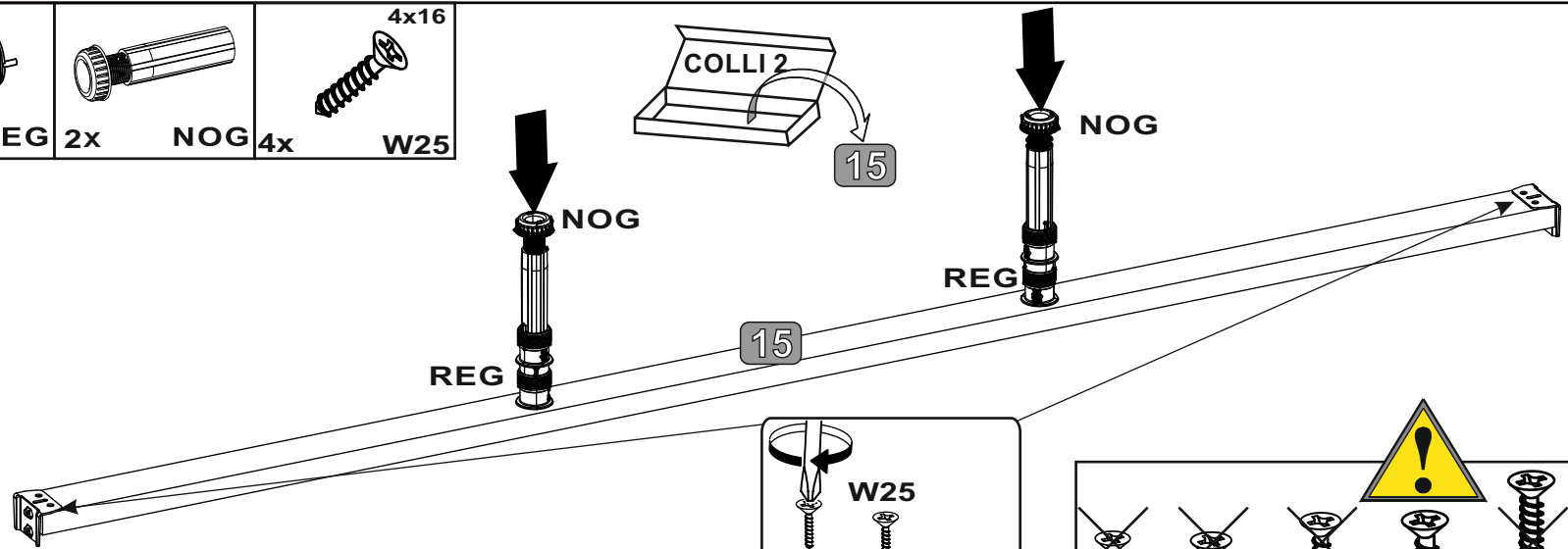
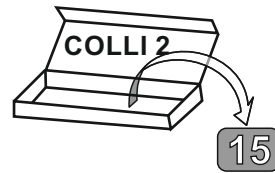
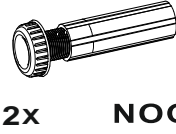
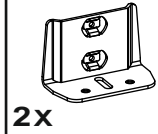
 L3 1x K02	 5x40 4x W16	 8x R01
---	---	---



14

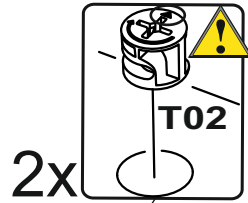
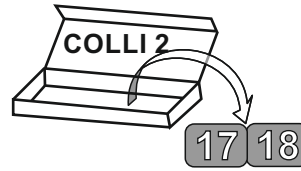


15



16

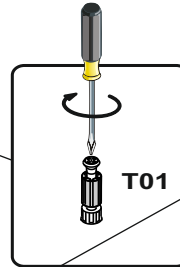
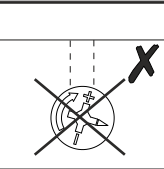
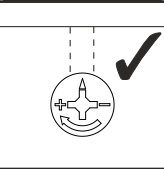
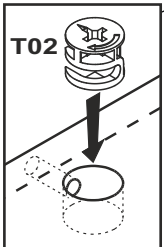
- 8x28  
8x D01
- 2x T01
- 15x12  
4x T02



2x

T01

D01  
D01



18

2x



T01

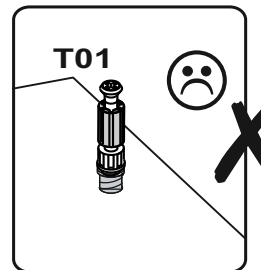
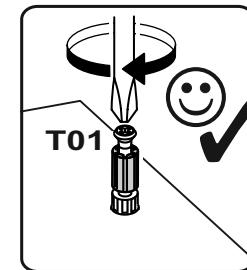
D01

D01

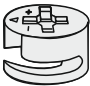
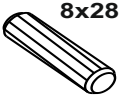


17


D01






D01




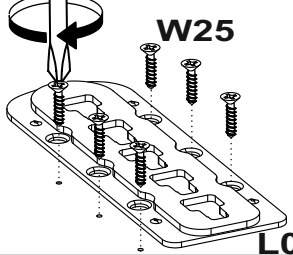
17

15x12 	8x28 
4x T02	4x D01
1x L02 	4x16 6x W25 




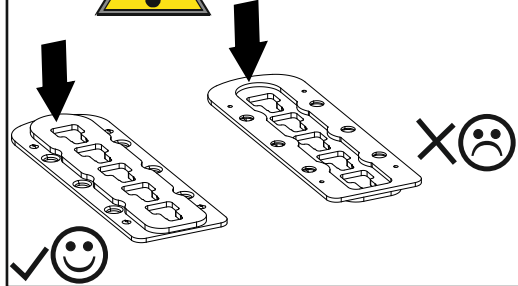
				
W03 3x13	W02 3,5x13	W30 3,5x16	W25 4x16	W23 4x30





W25  
L02

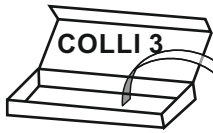




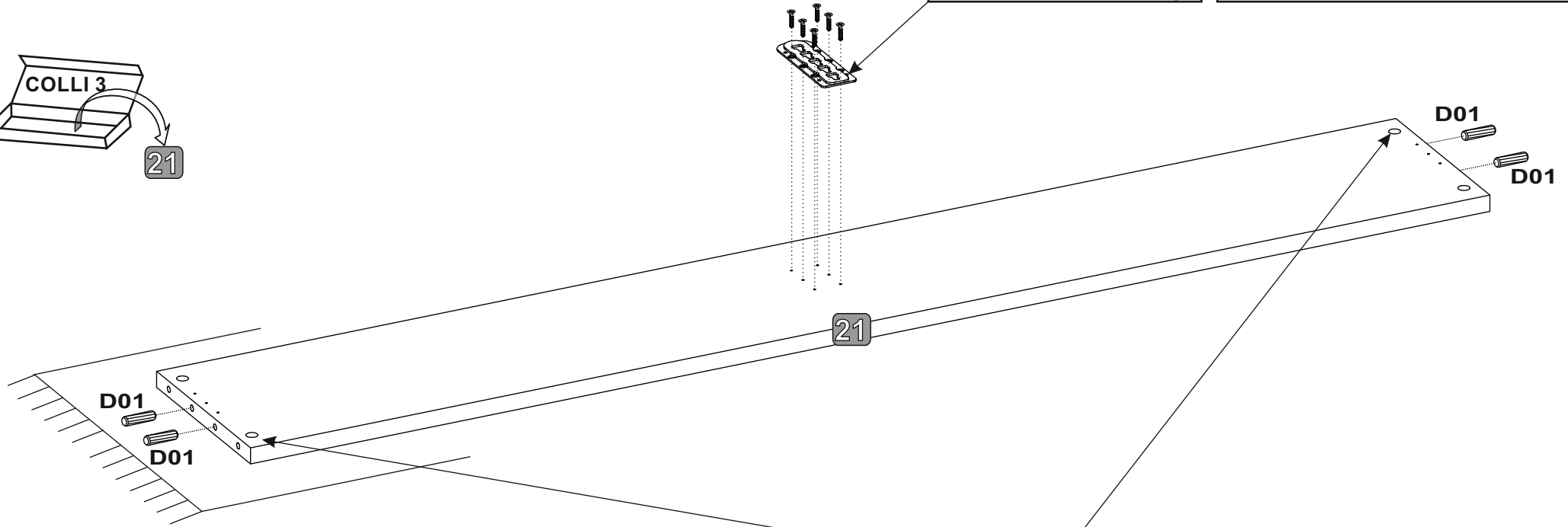
✓😊

✗😞

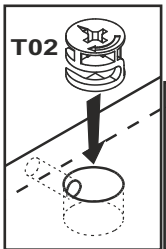
COLLI 3

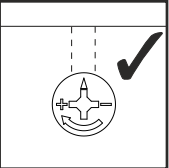


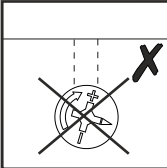
21



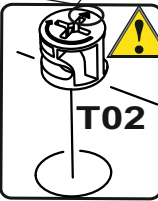
T02





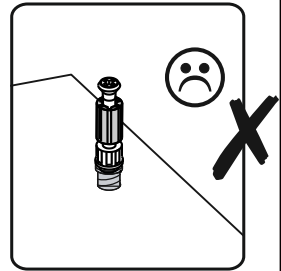
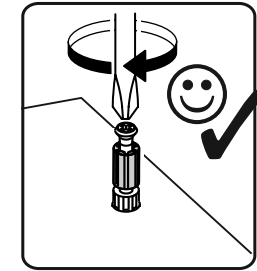
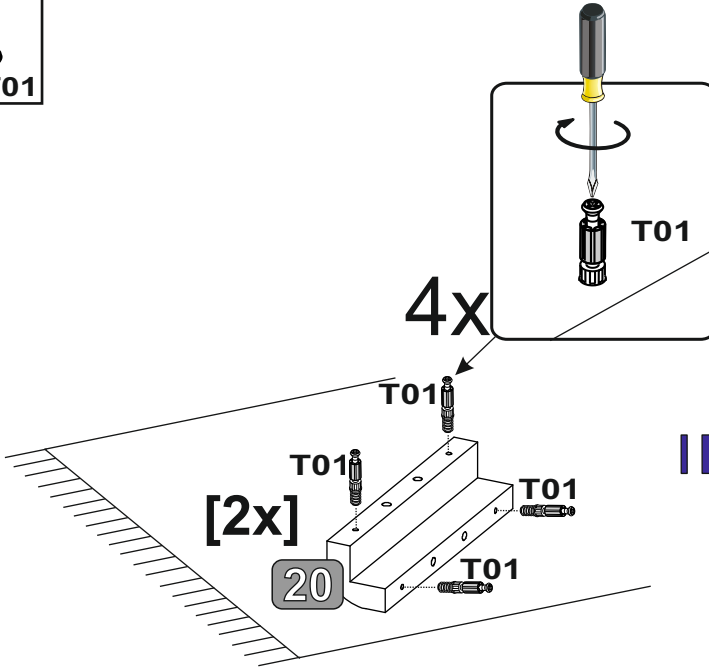
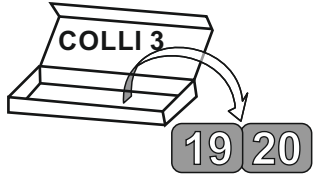
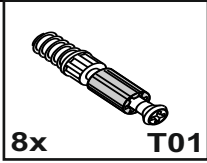


4x

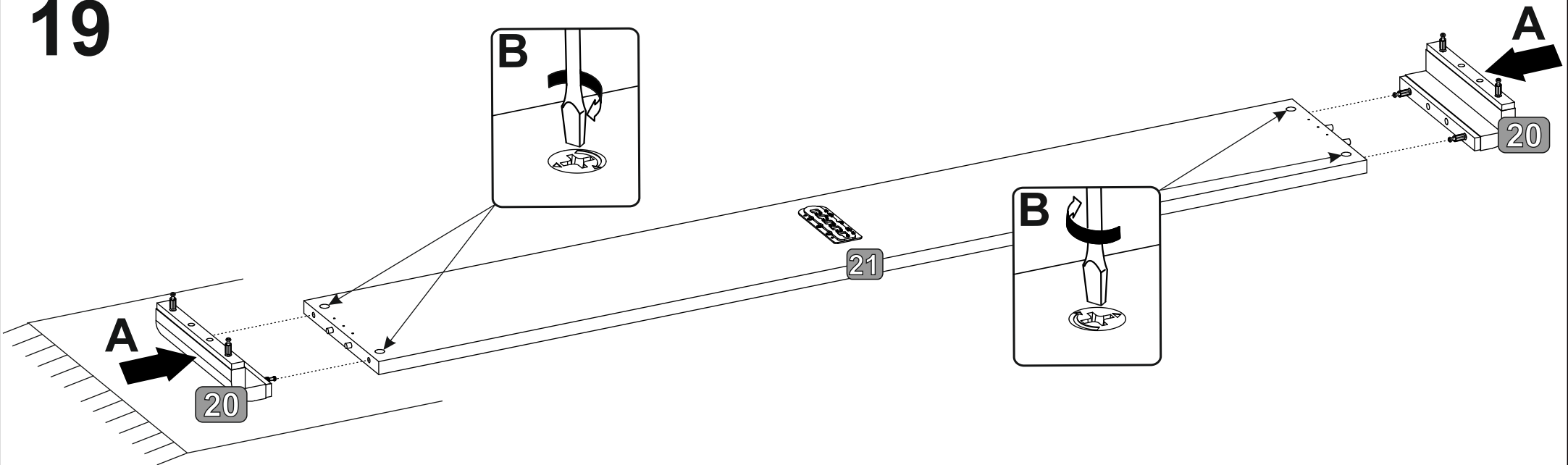


T02

18

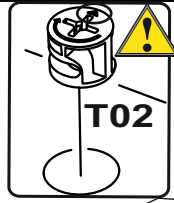


19

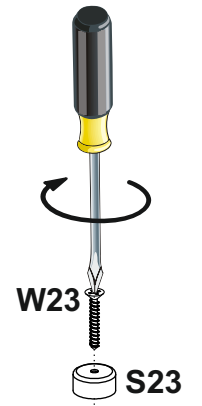
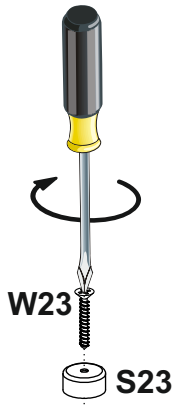
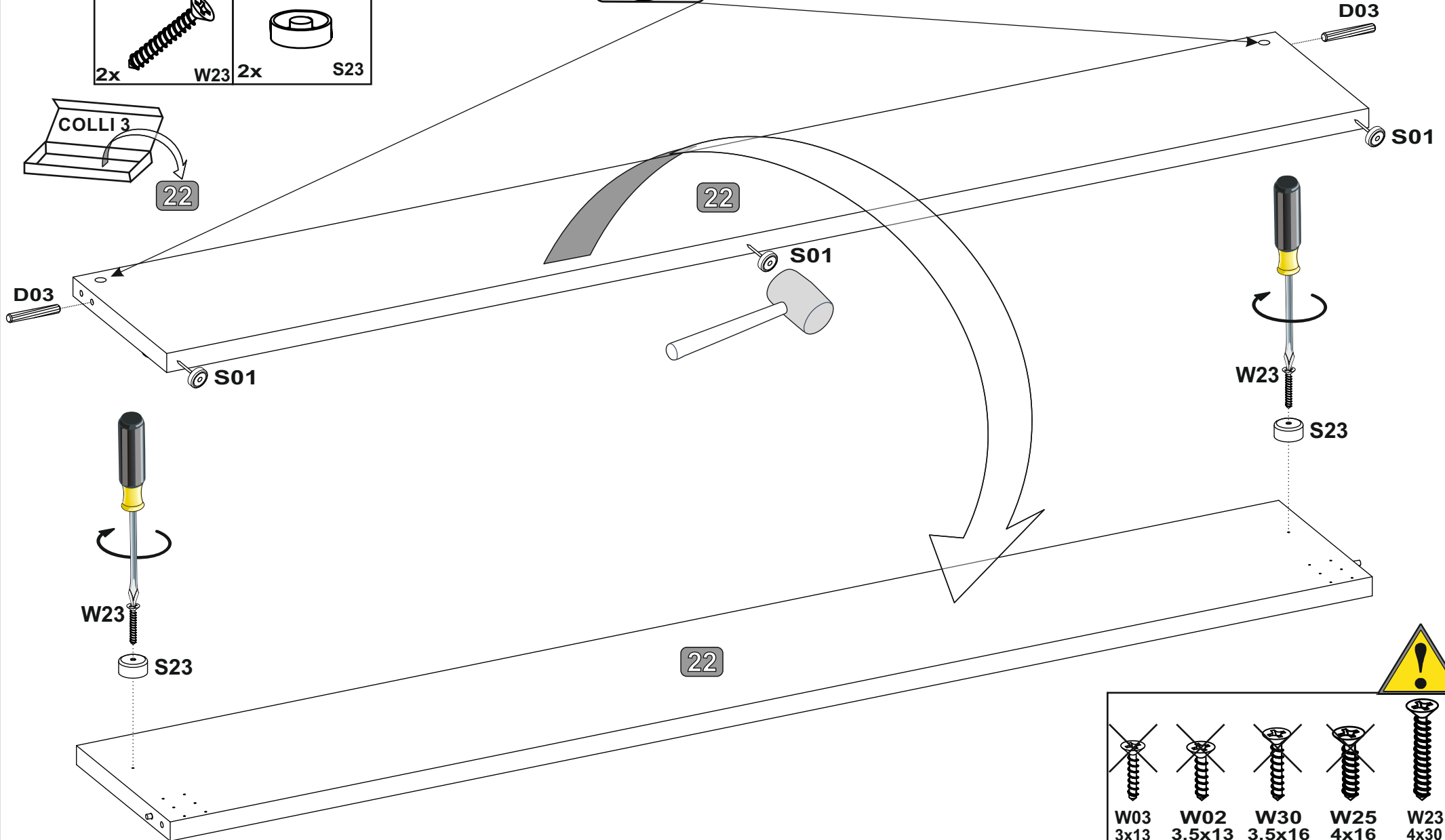
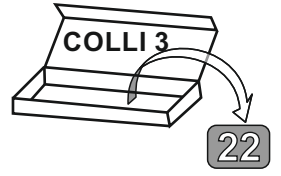


20

8x50 2x D03	15x12 2x T02	3x S01
4x30 2x W23	2x S23	



D03 8x50	D01 8x28
-------------	-------------










W03 3x13	W02 3,5x13	W30 3,5x16	W25 4x16	W23 4x30






21

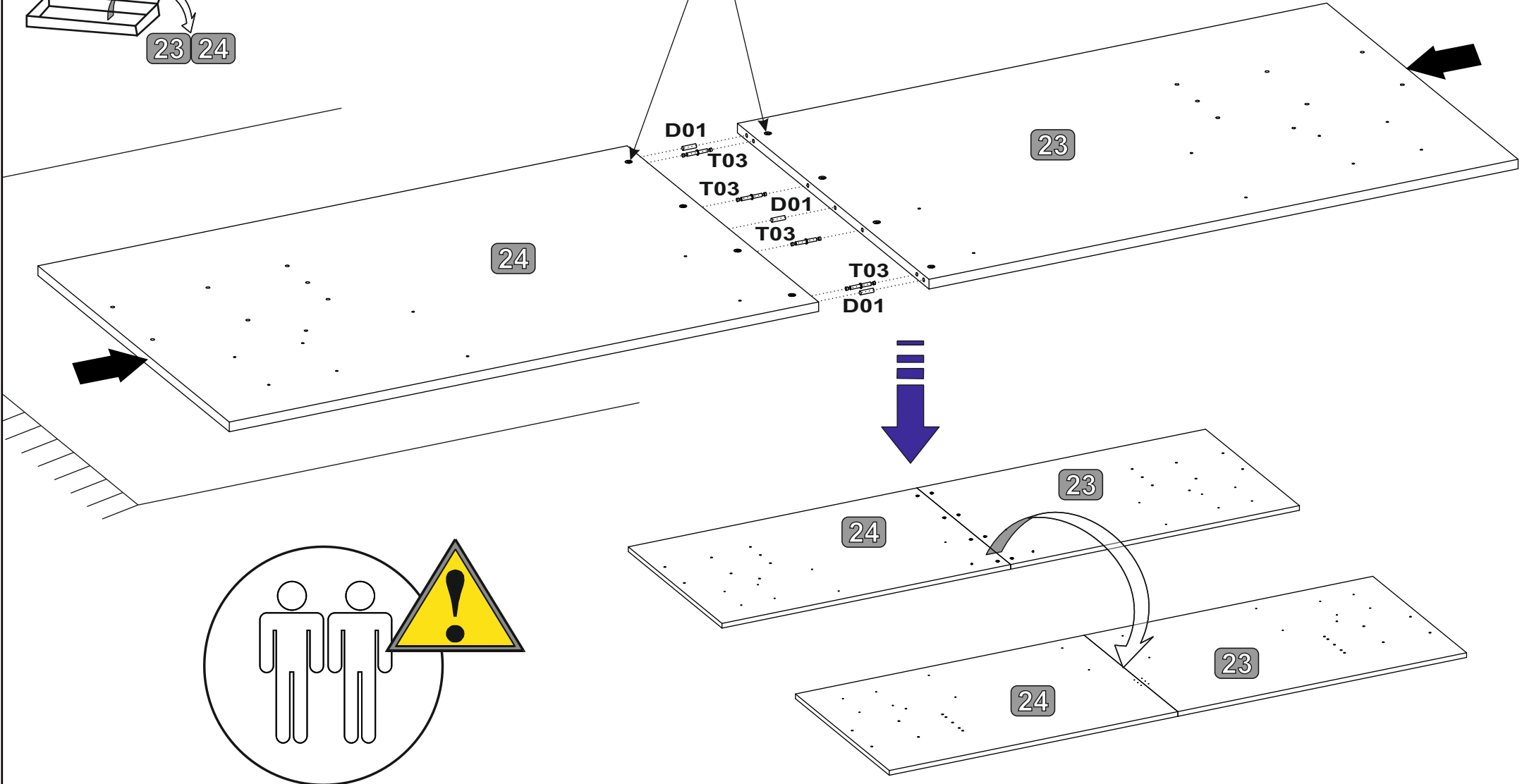
 15x12 8x T02	 4x T03	 8x28 3x D01
---	--	--

 T02	 T03	 90°	 180°
---	--	--	---

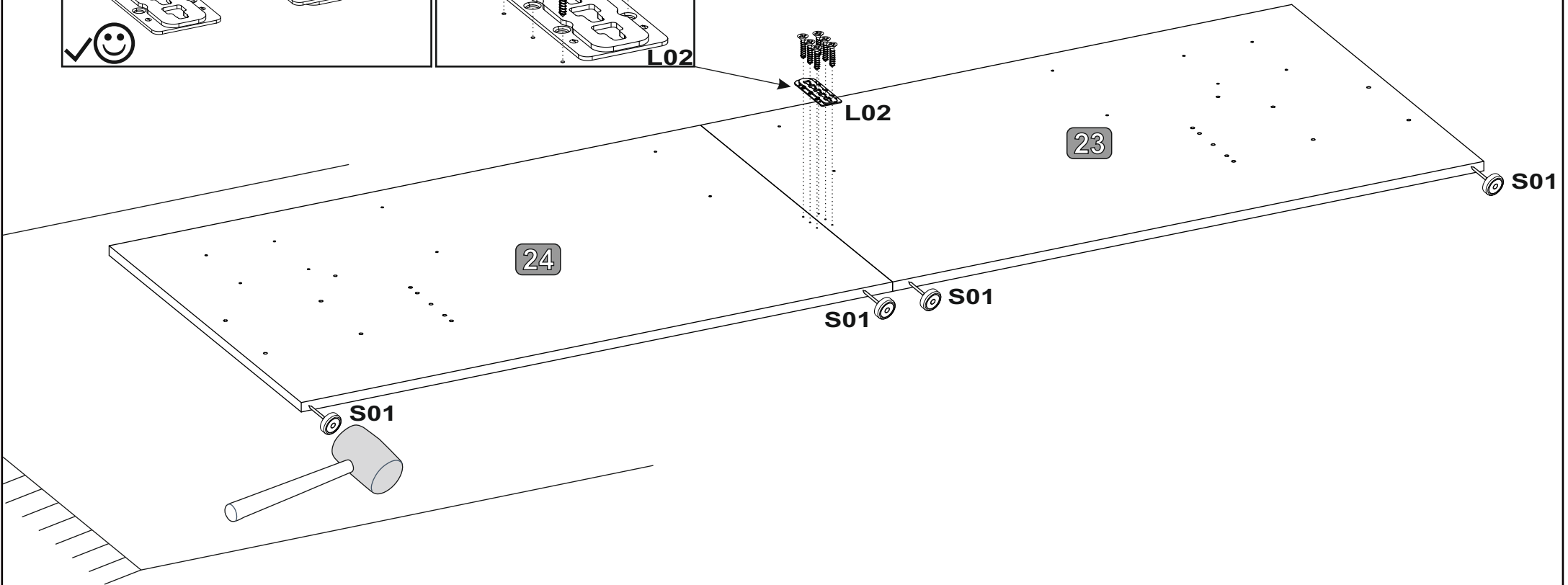
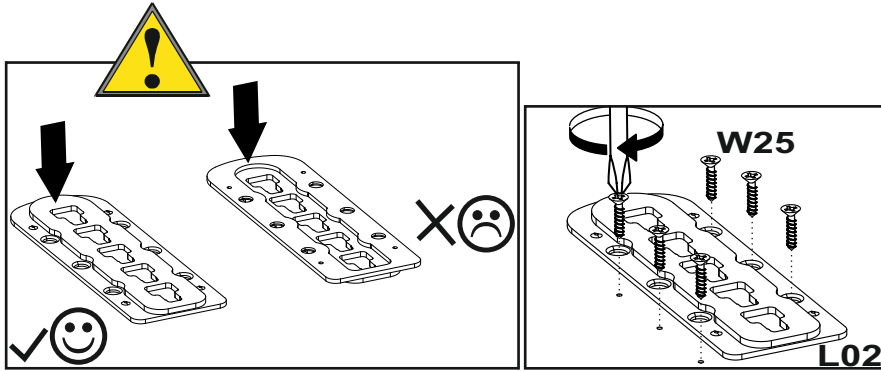
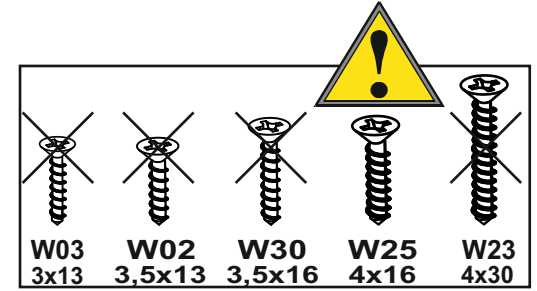
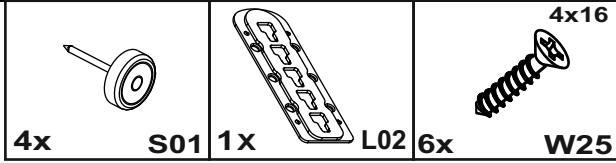
COLLI 4



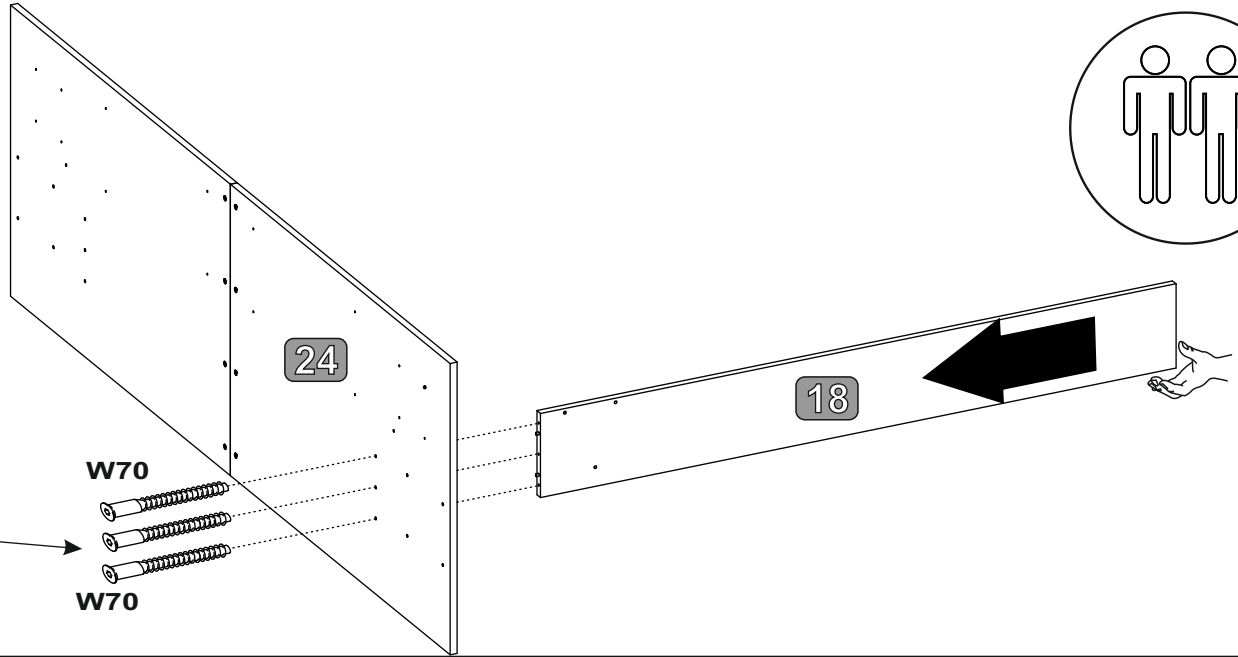
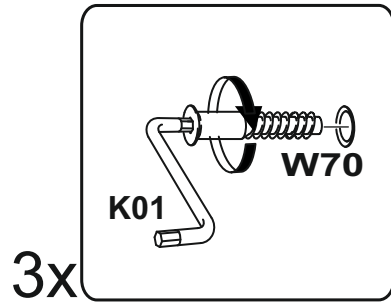
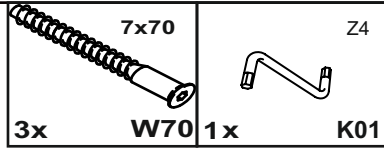
23 24



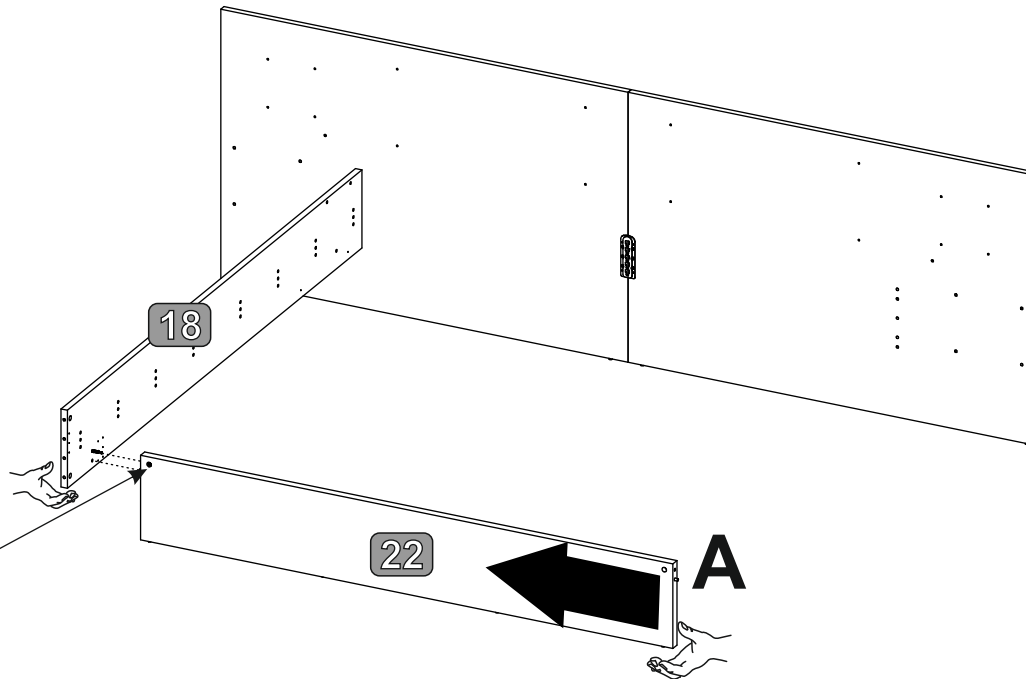
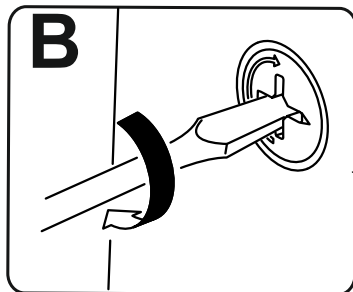
22



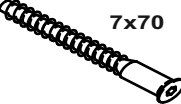
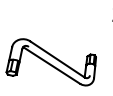
23

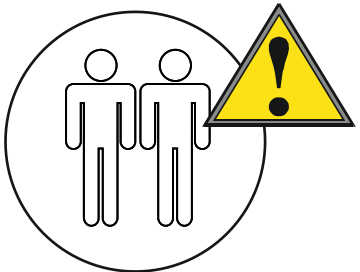
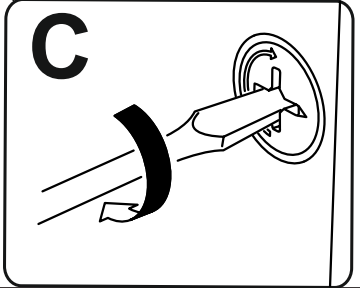
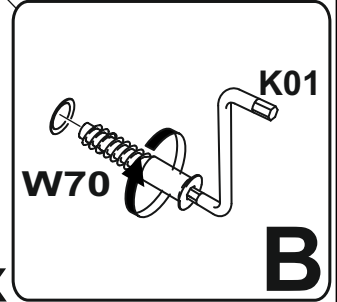
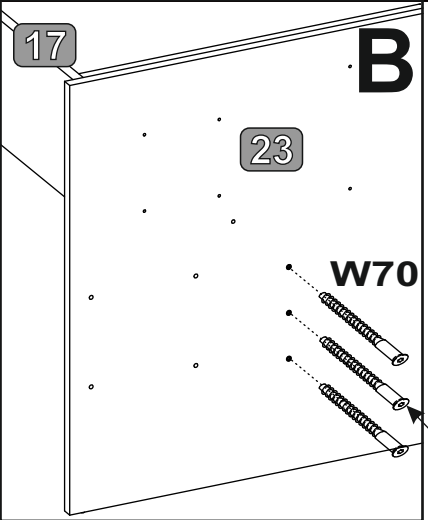
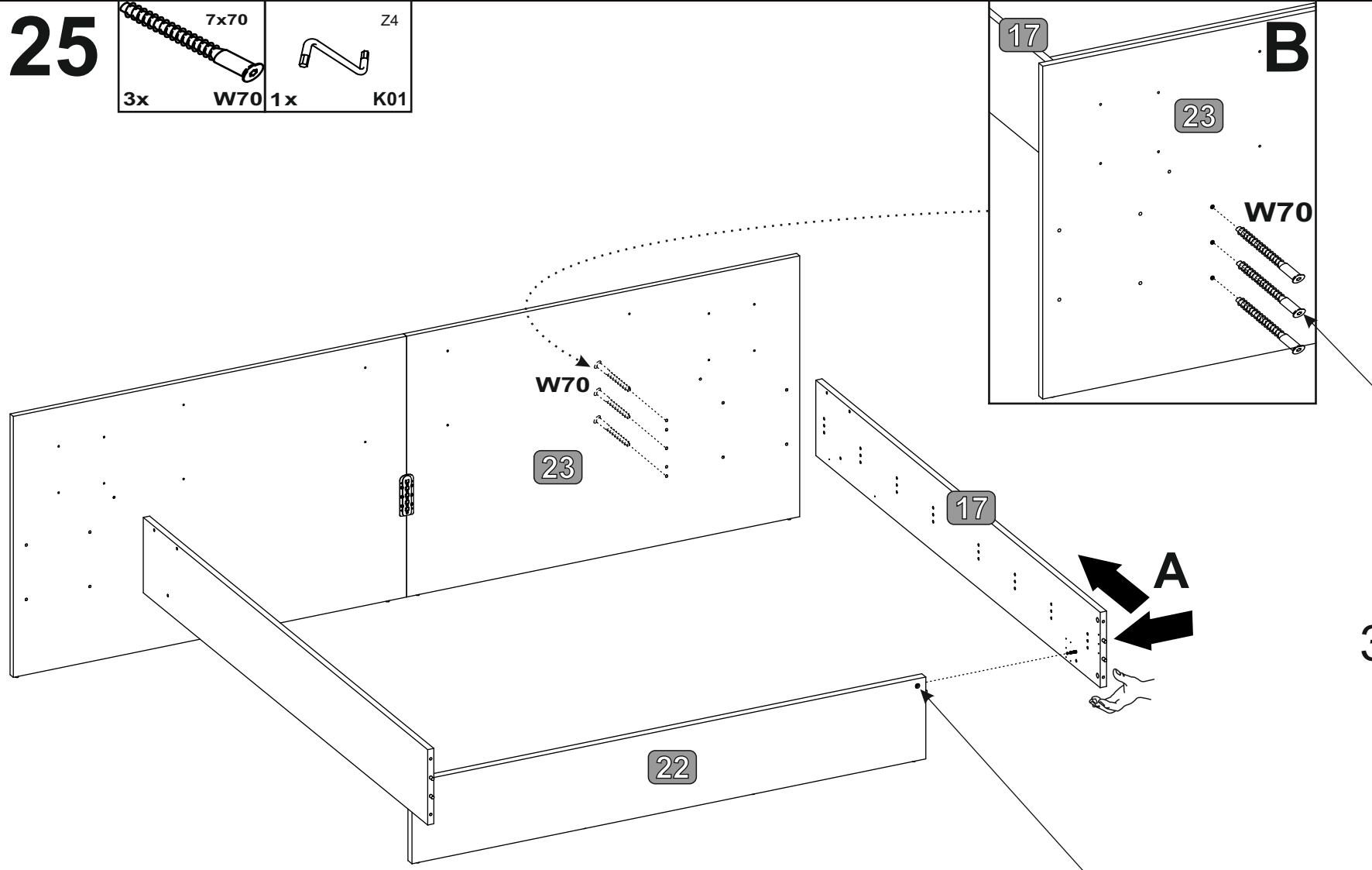


24

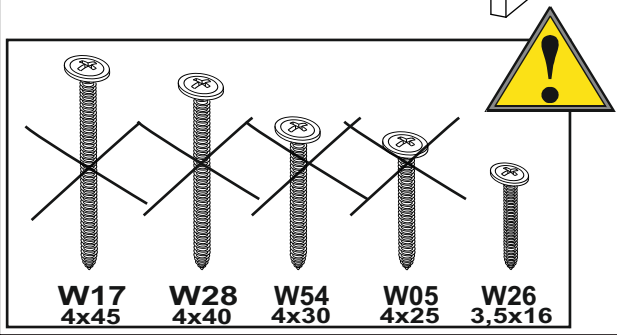
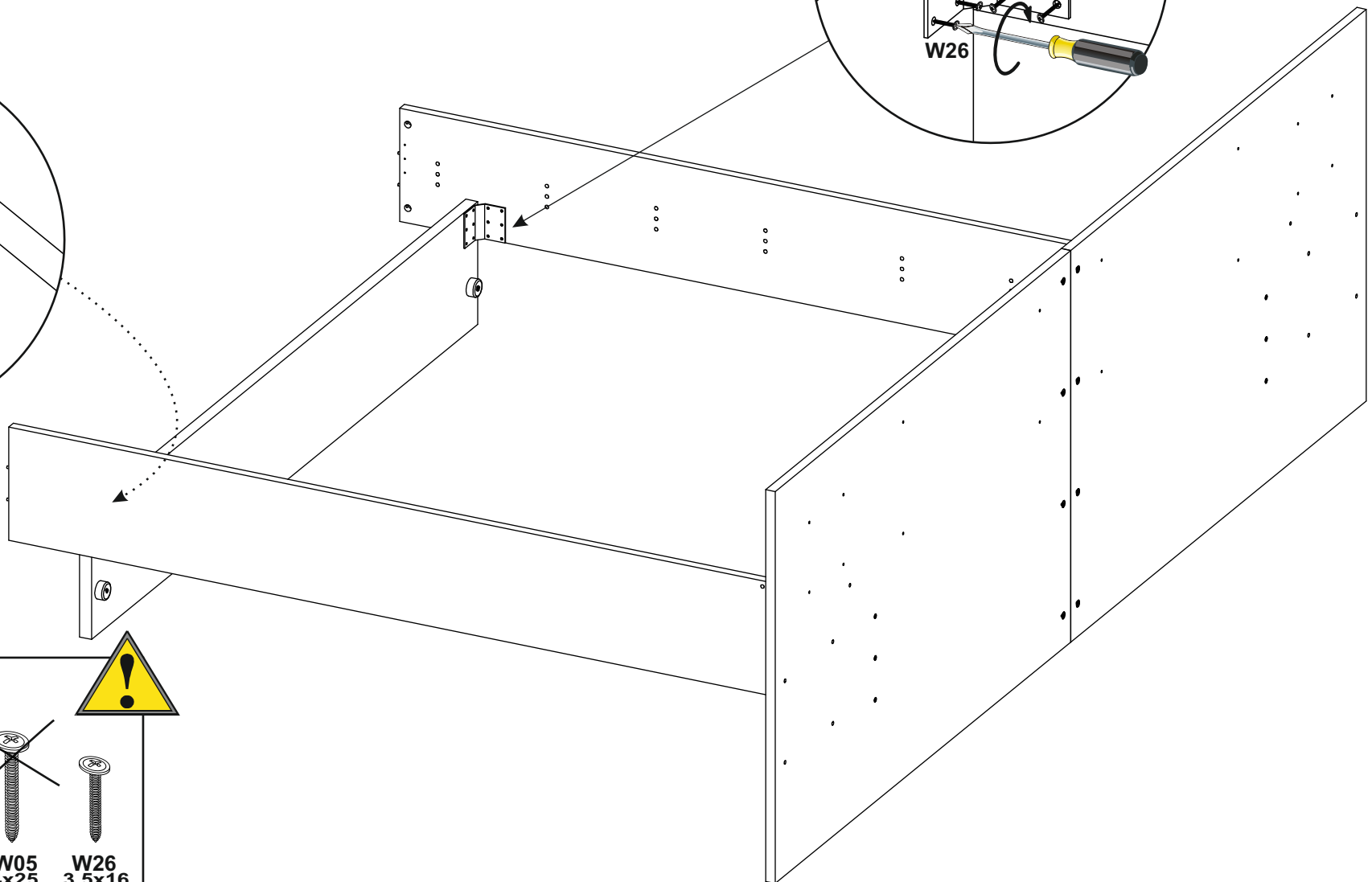
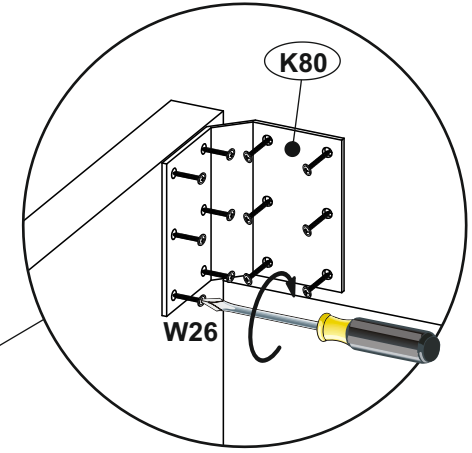
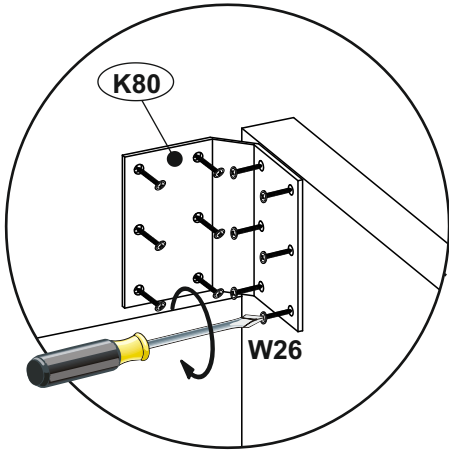
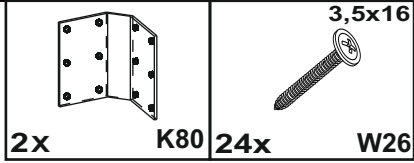


25

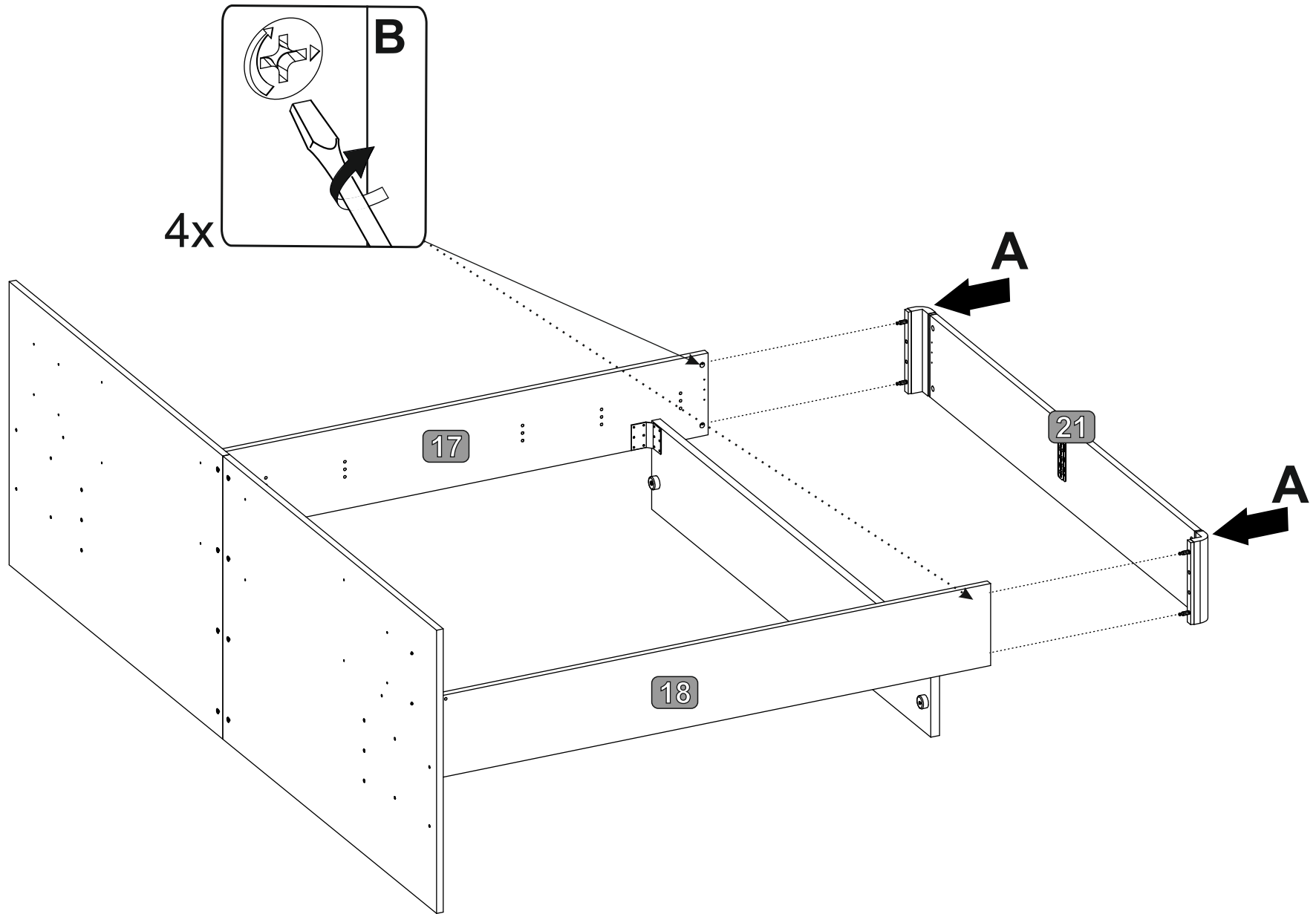
 <p>7x70</p>	 <p>Z4</p>
3x	1x
W70	K01



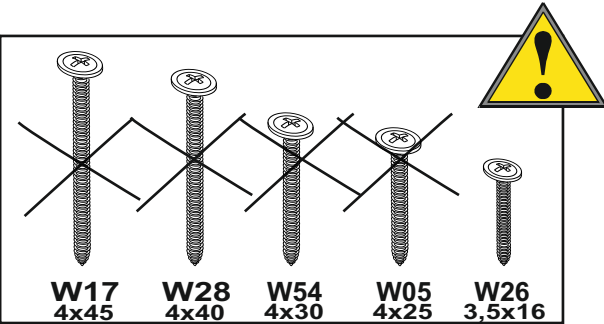
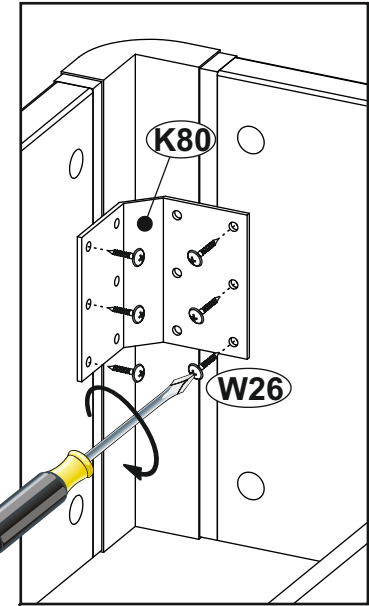
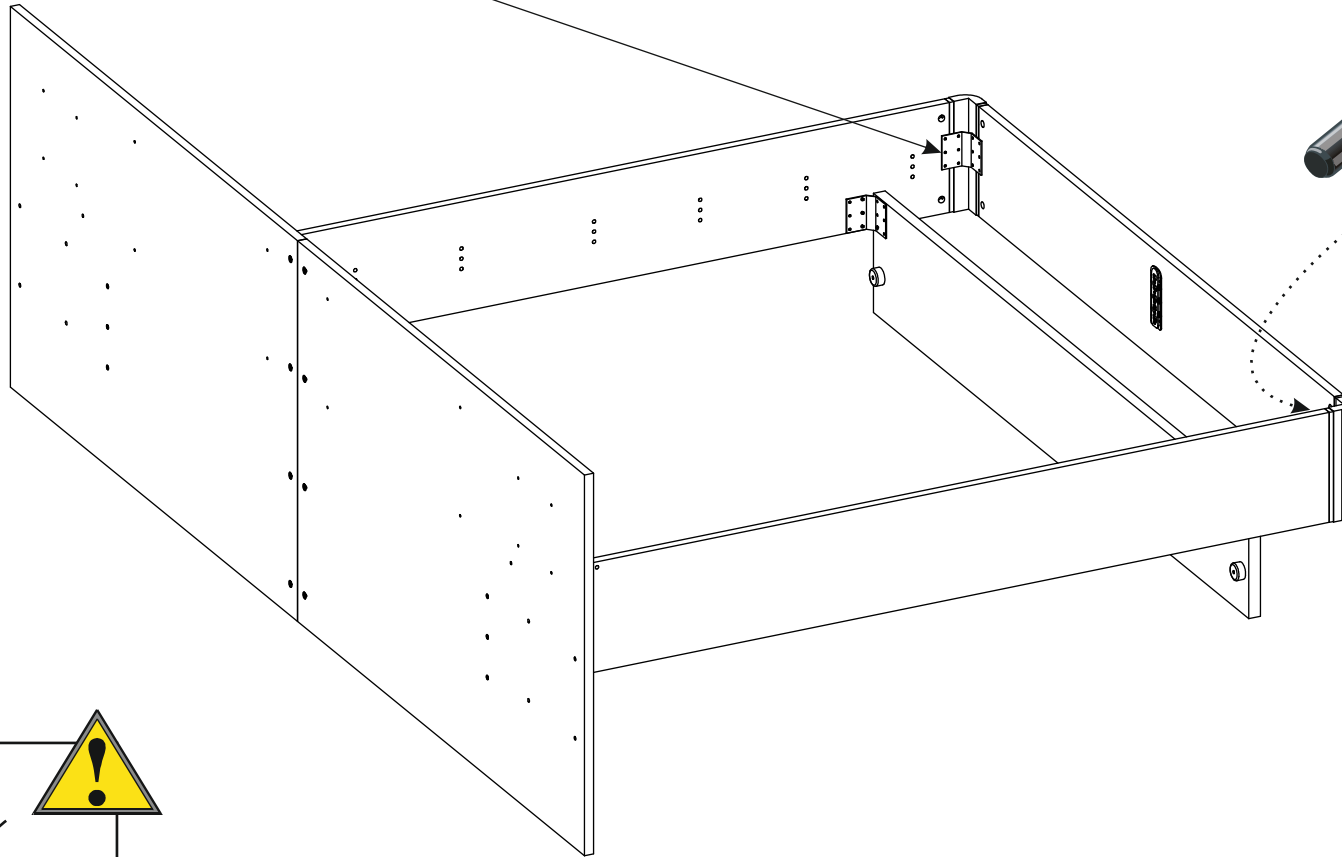
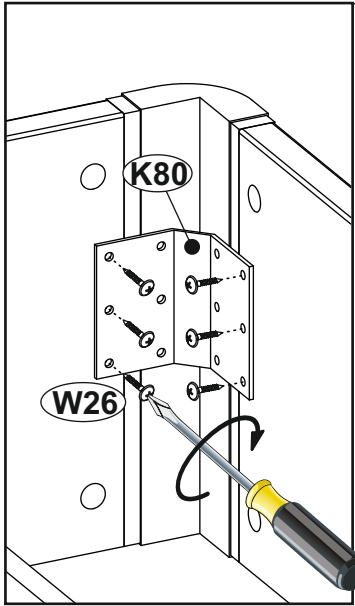
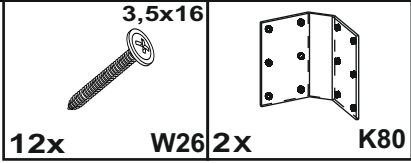
26



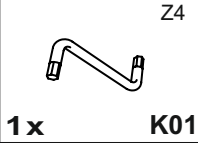
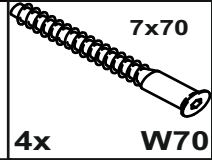
27



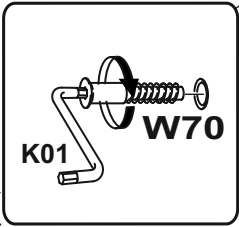
28



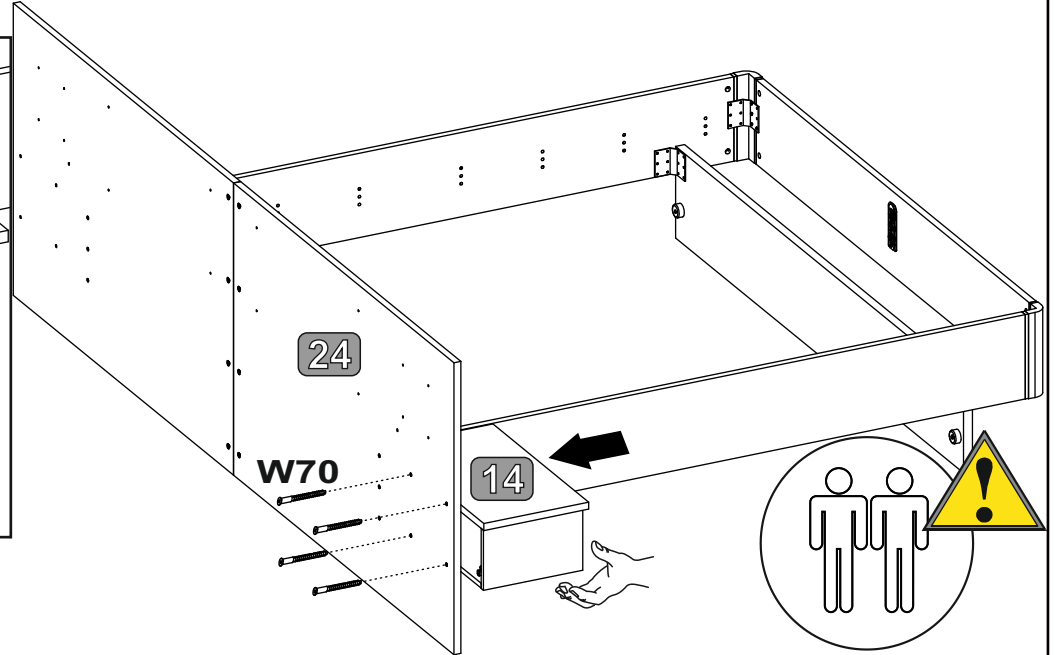
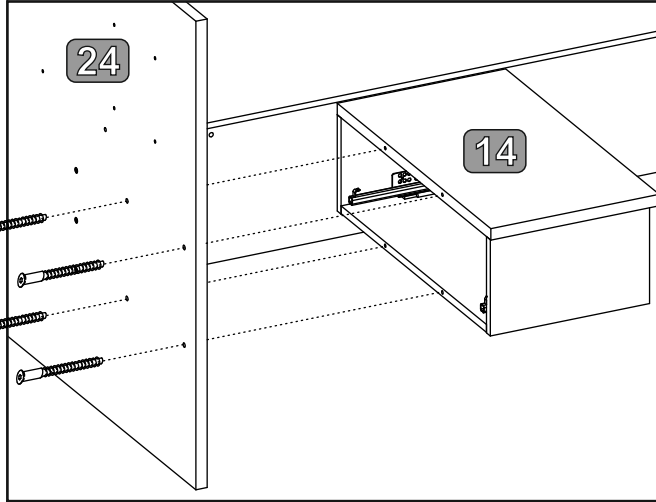
29



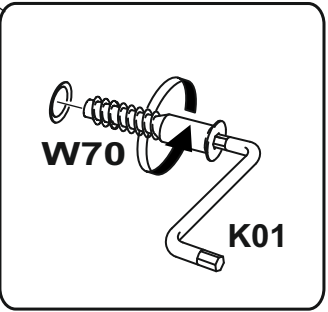
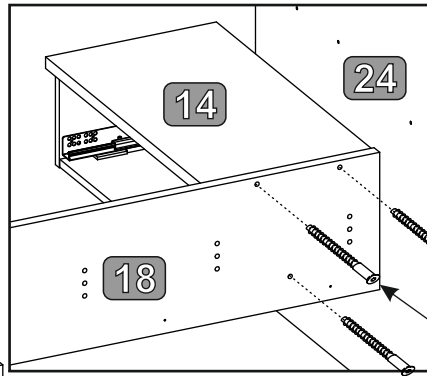
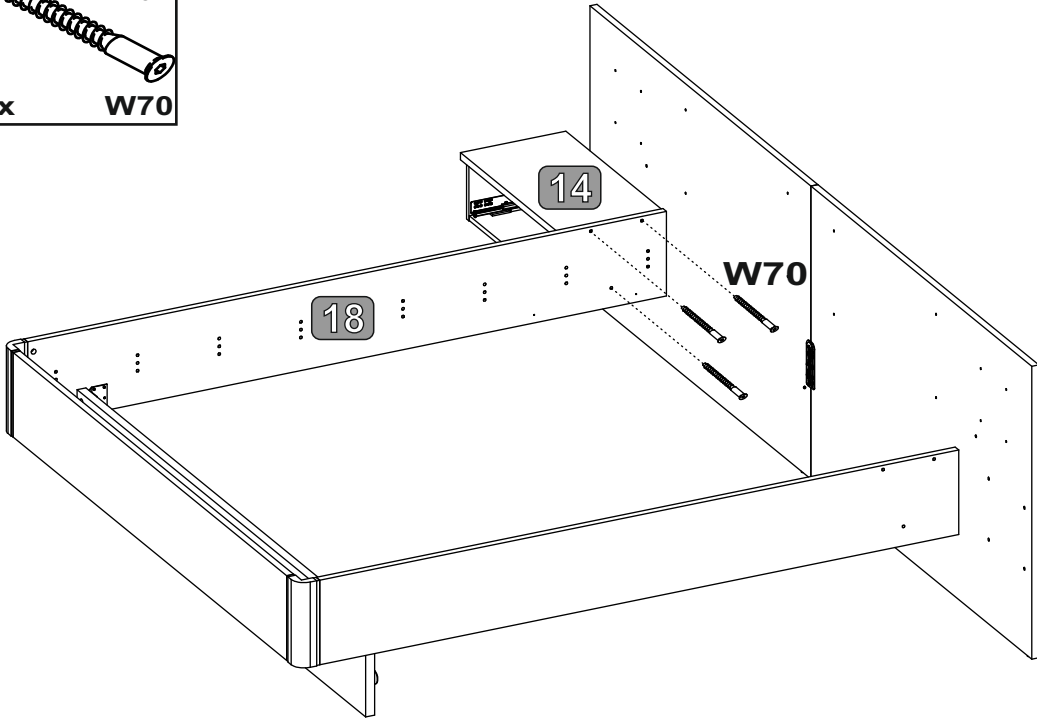
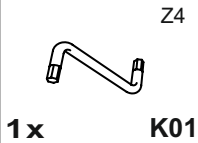
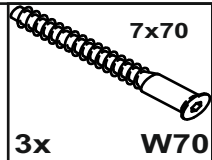
4x



W70



30

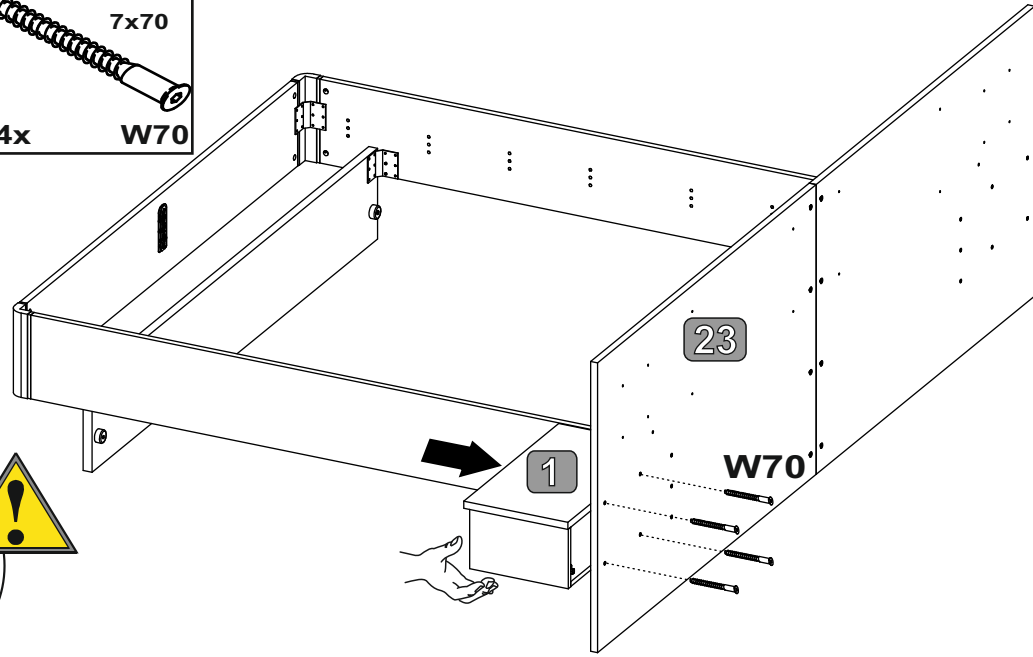


3x

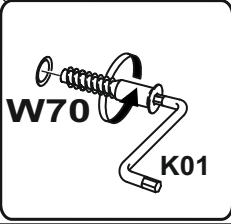
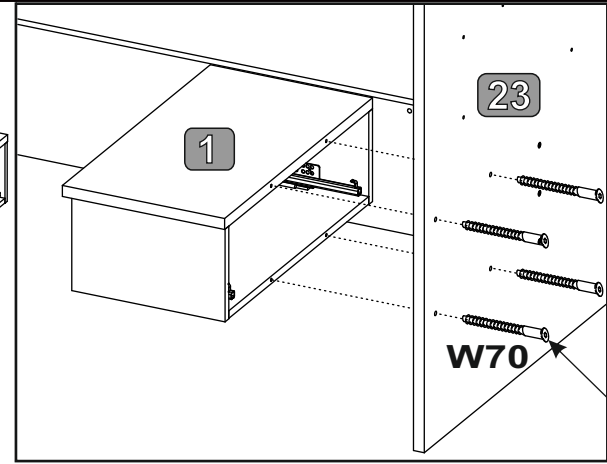


31

7x70  
4x W70



Z4  
1x K01

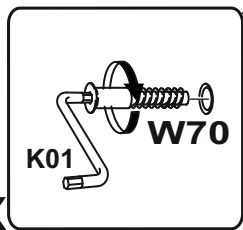
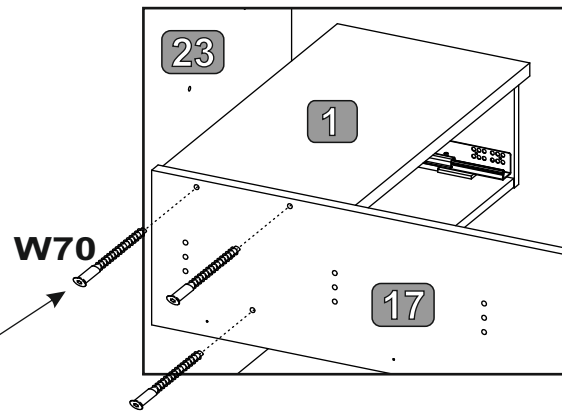


4x

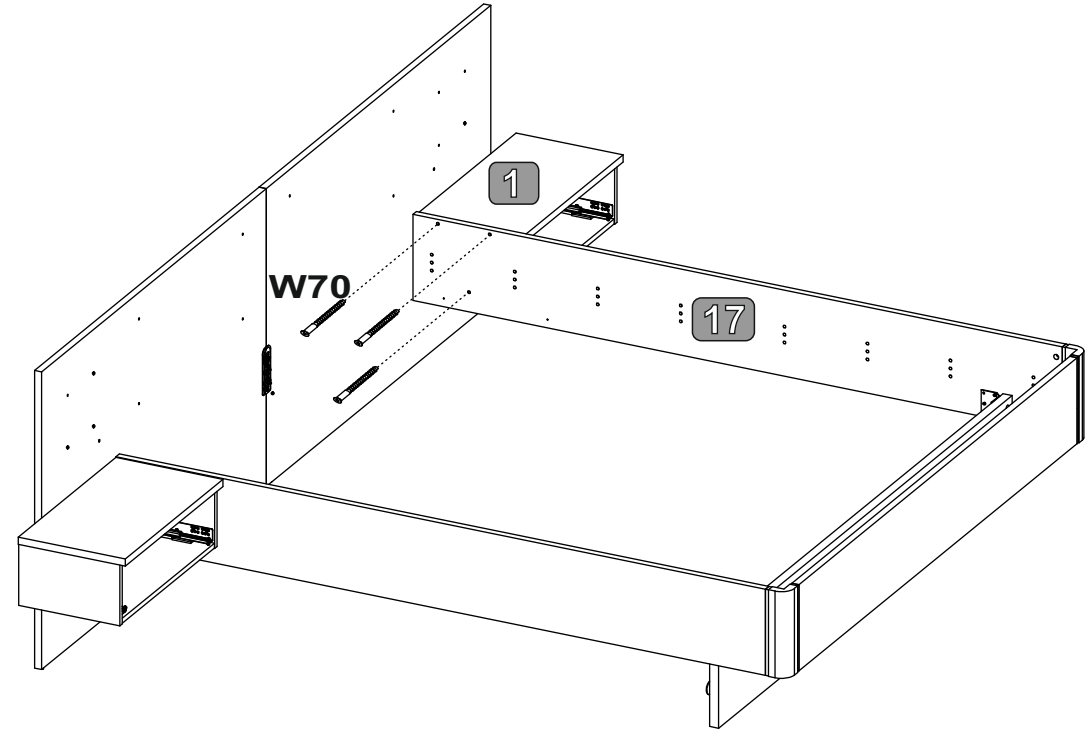
32

7x70  
3x W70

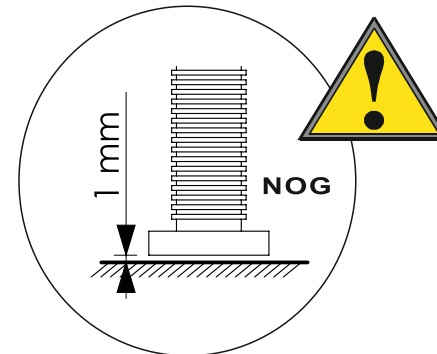
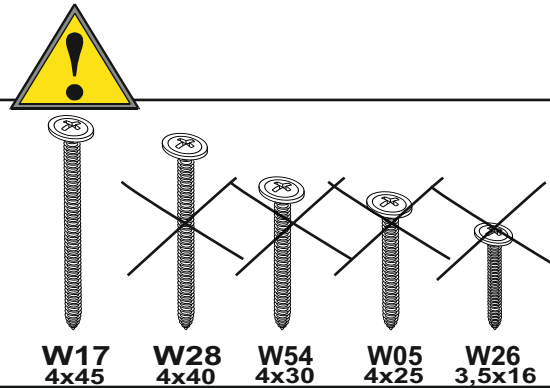
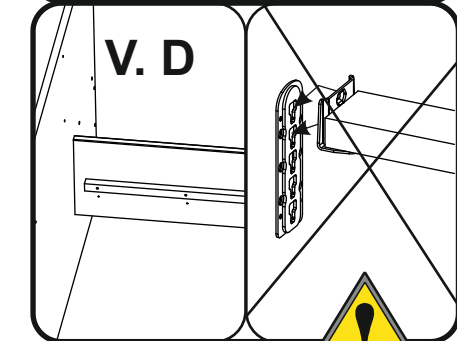
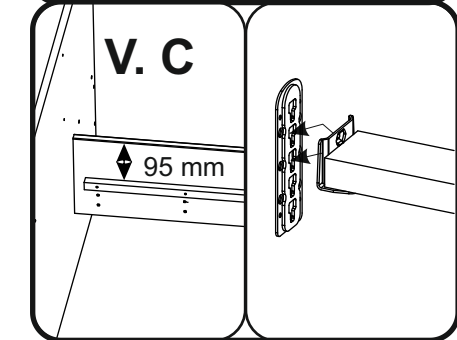
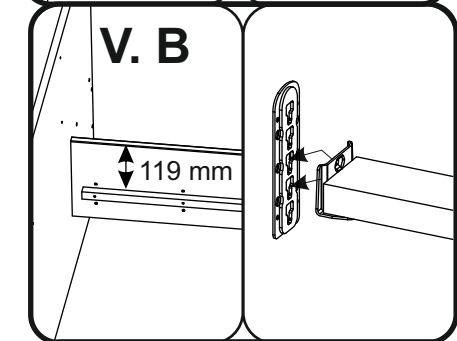
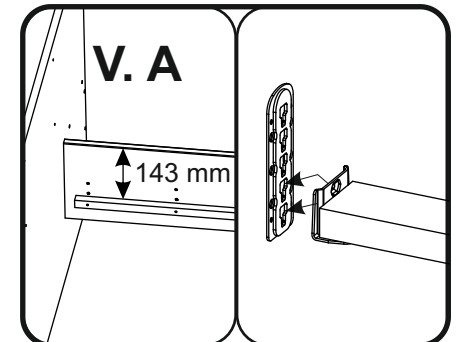
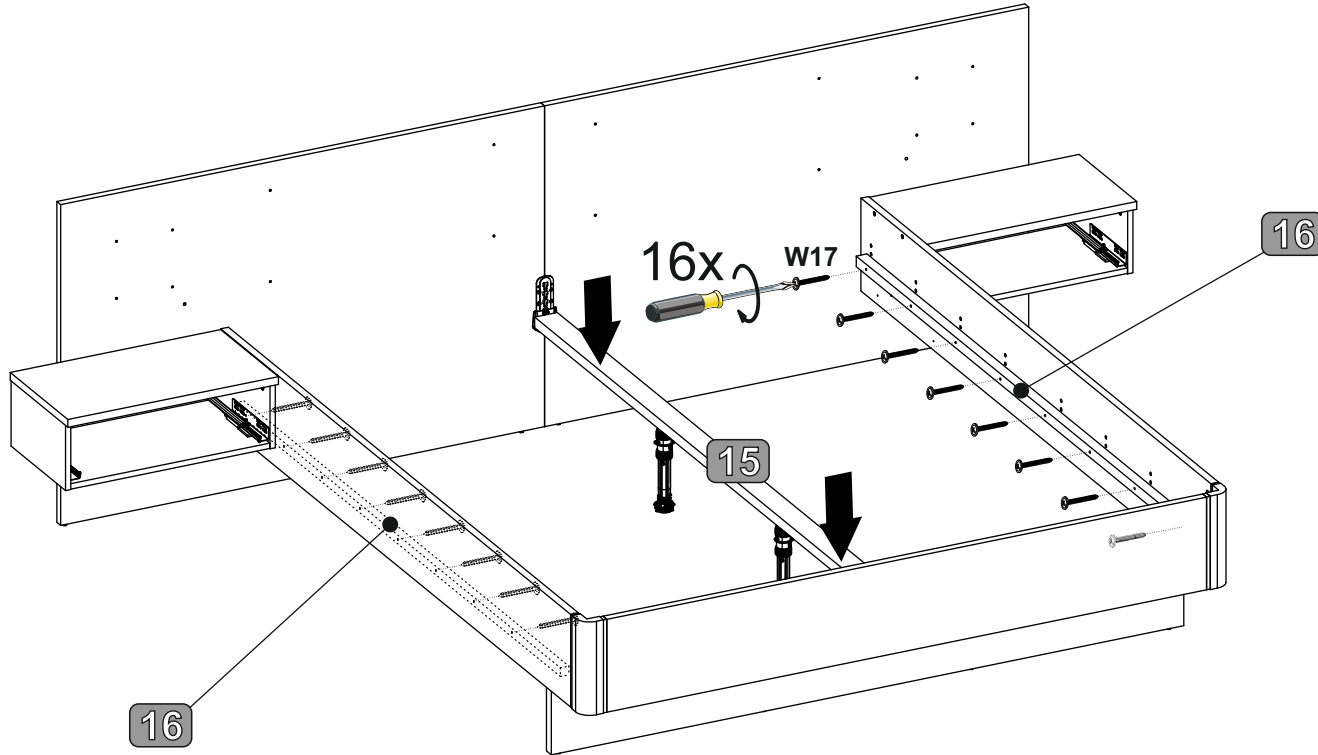
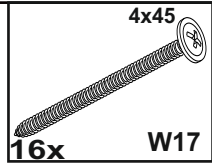
Z4  
1x K01



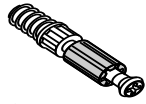
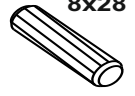
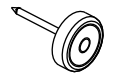
3x



33

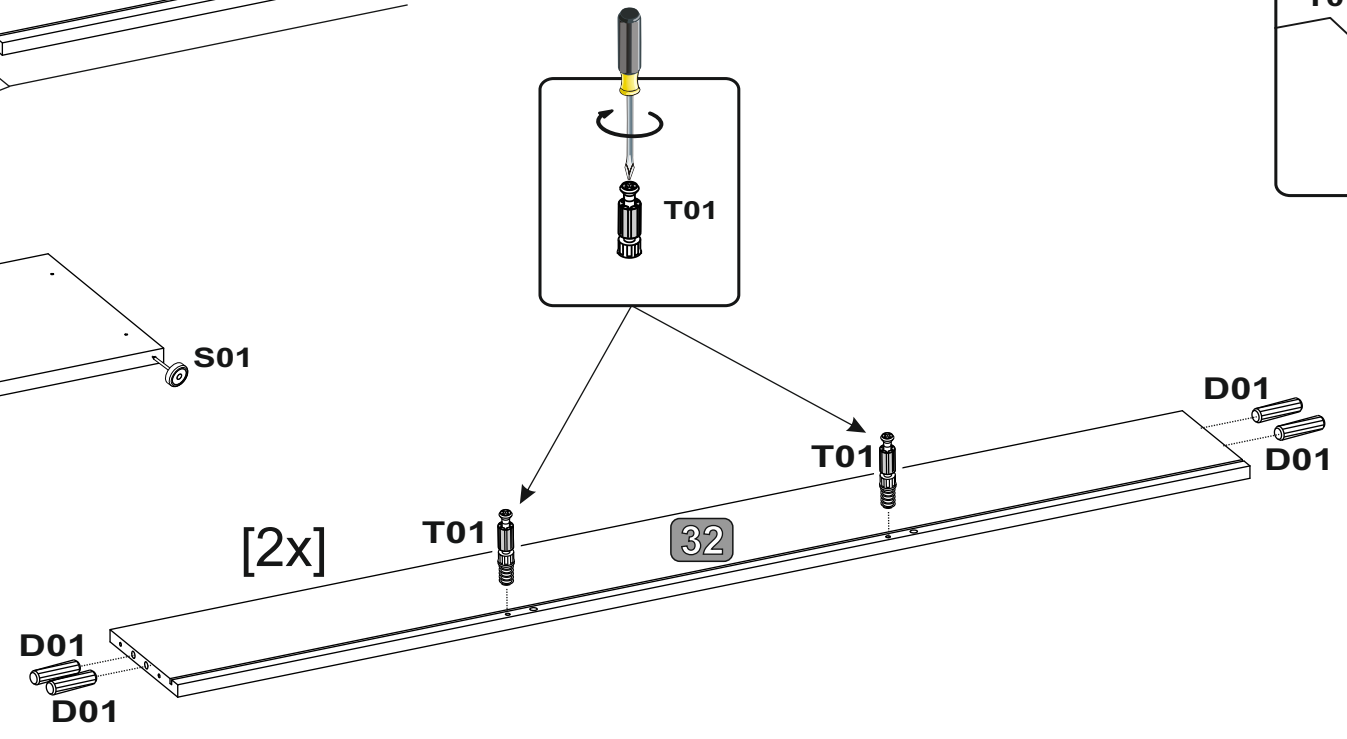
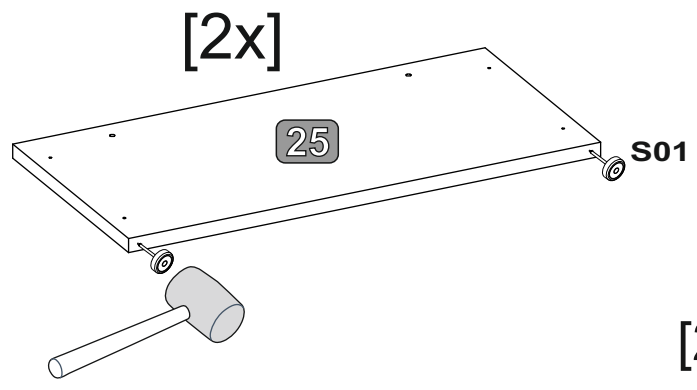
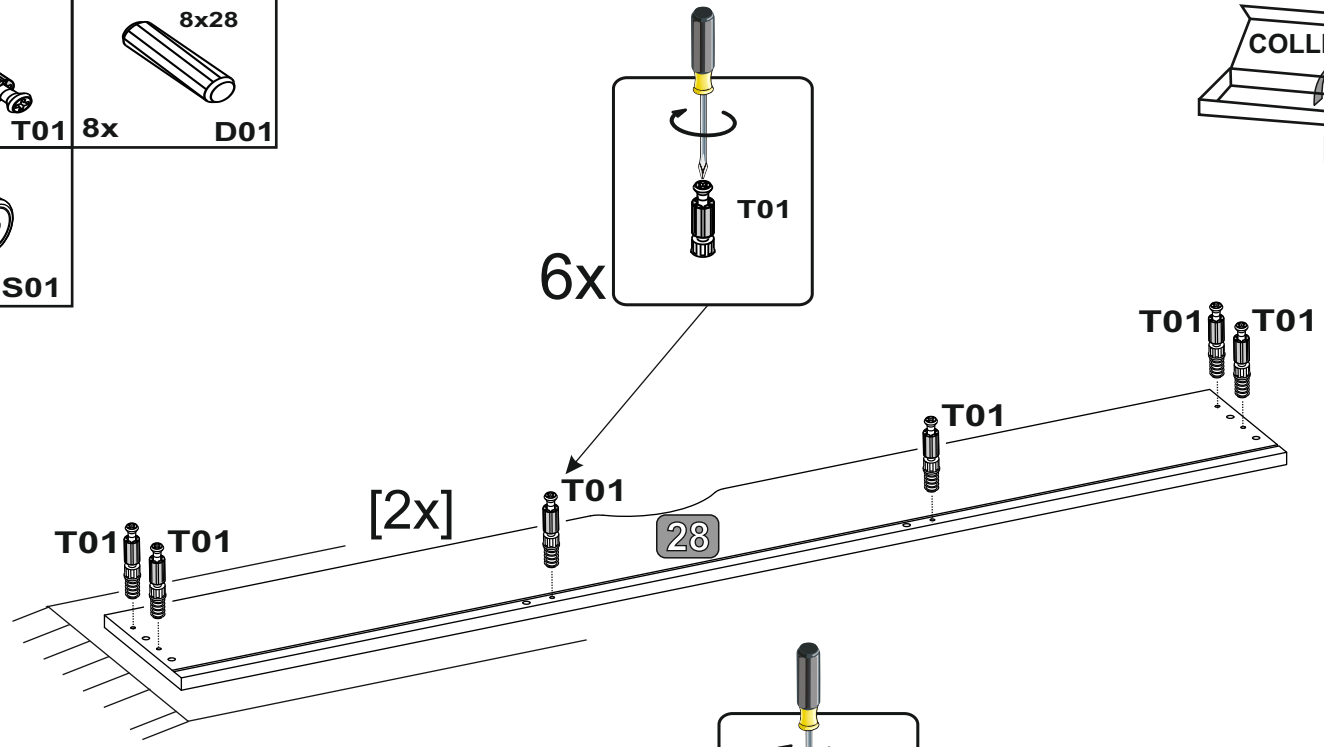
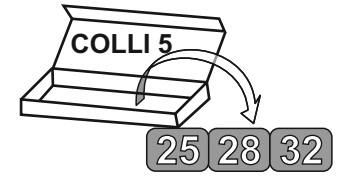


34

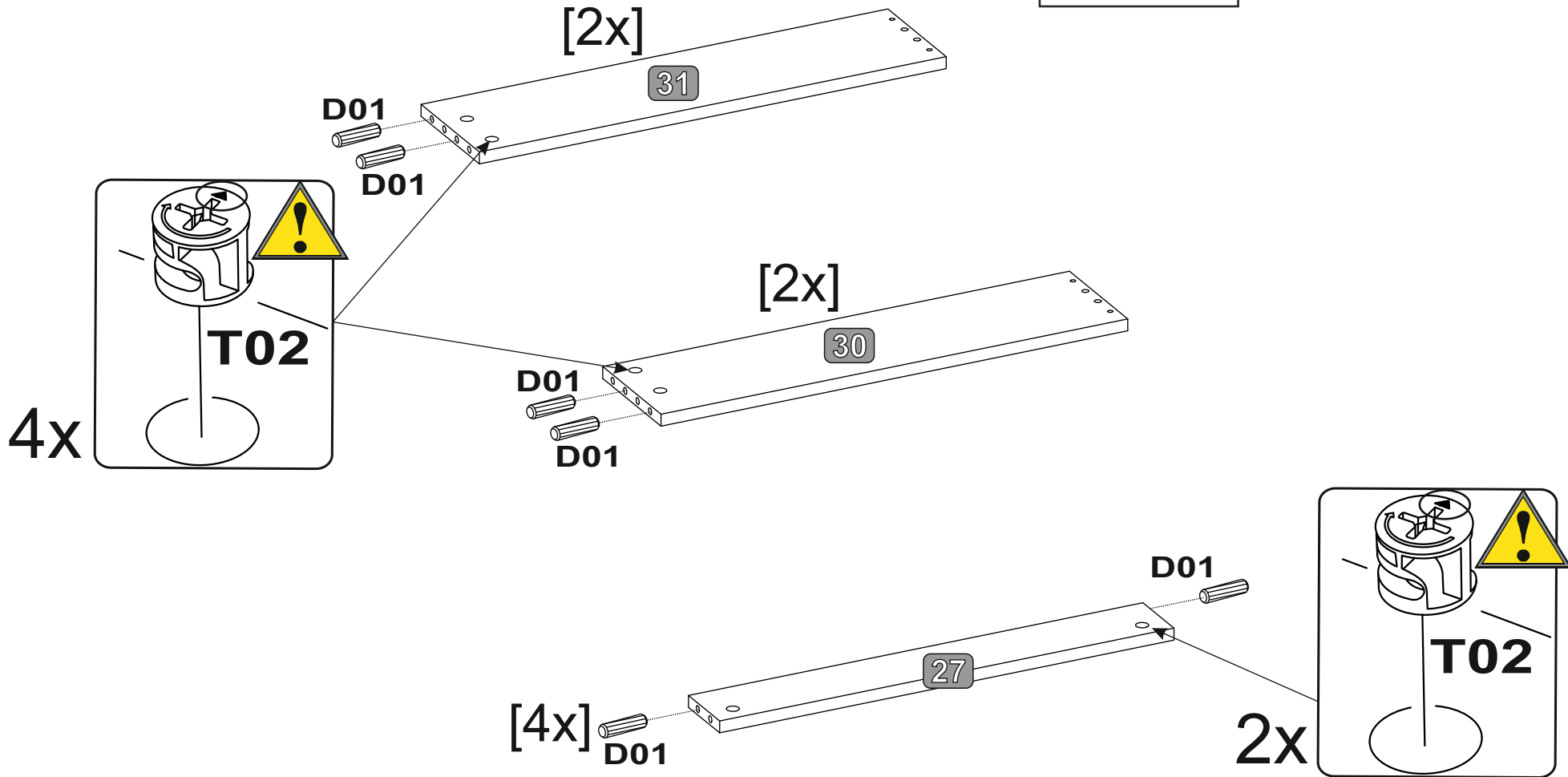
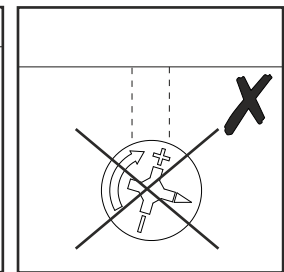
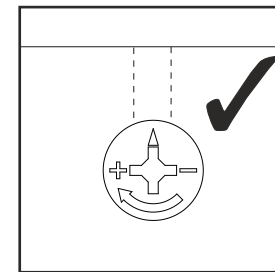
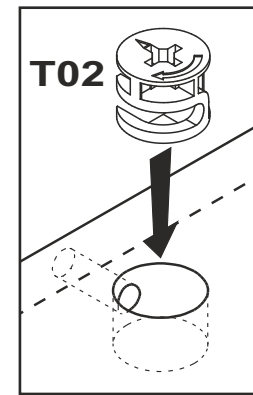
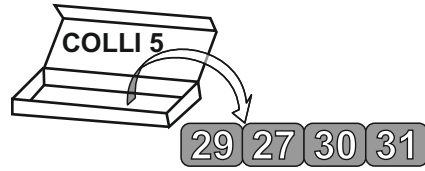
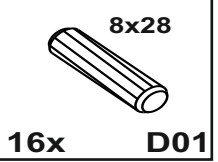
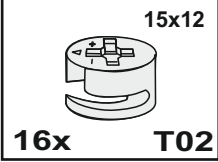
 16x T01	 8x28 D01
 4x S01	

COLLI 5


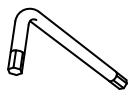
25 28 32



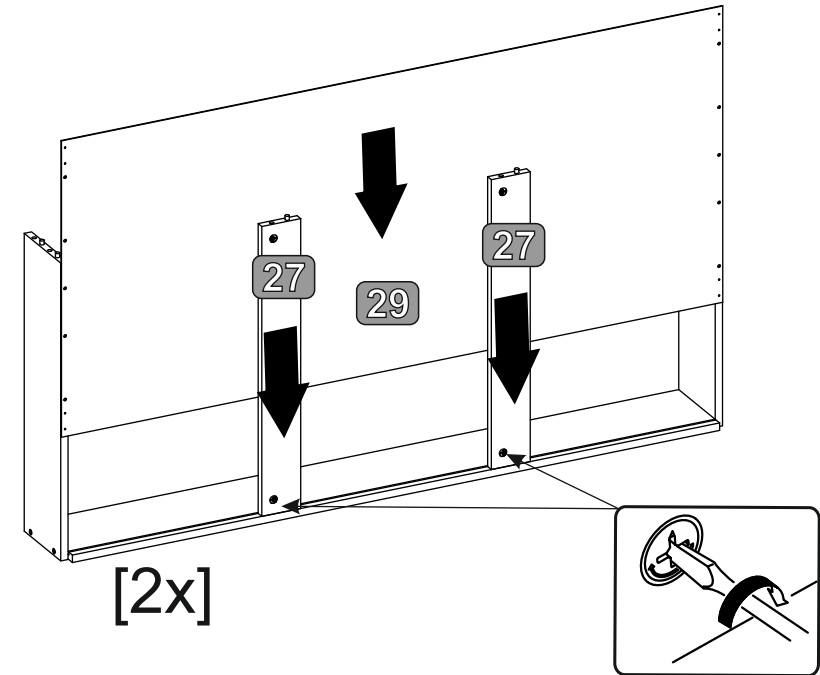
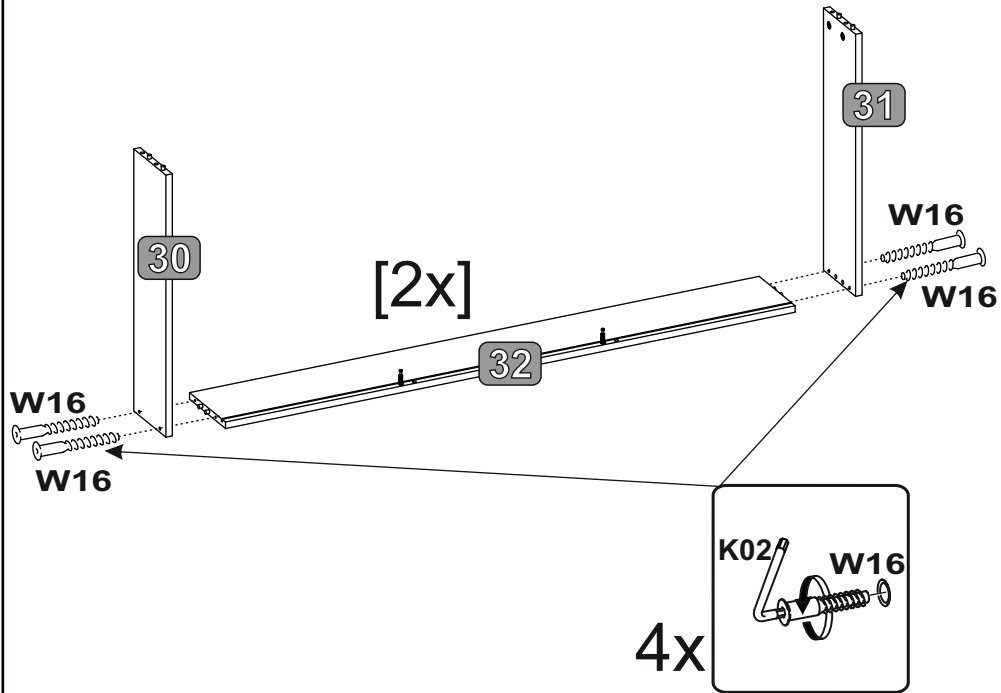
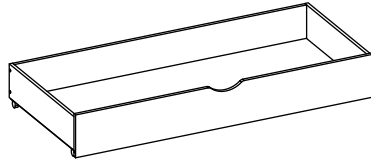
35



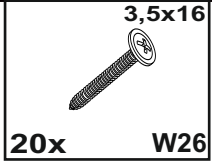
36

5x40	L3
	
8x W16	1x K02

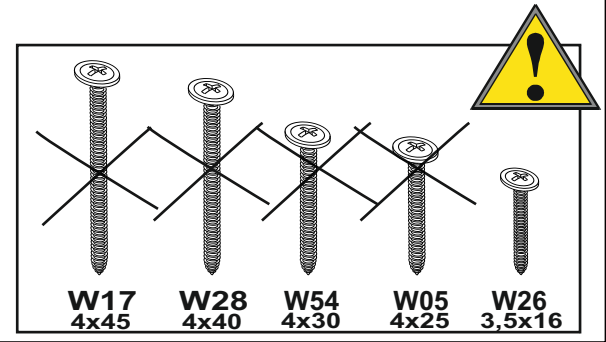
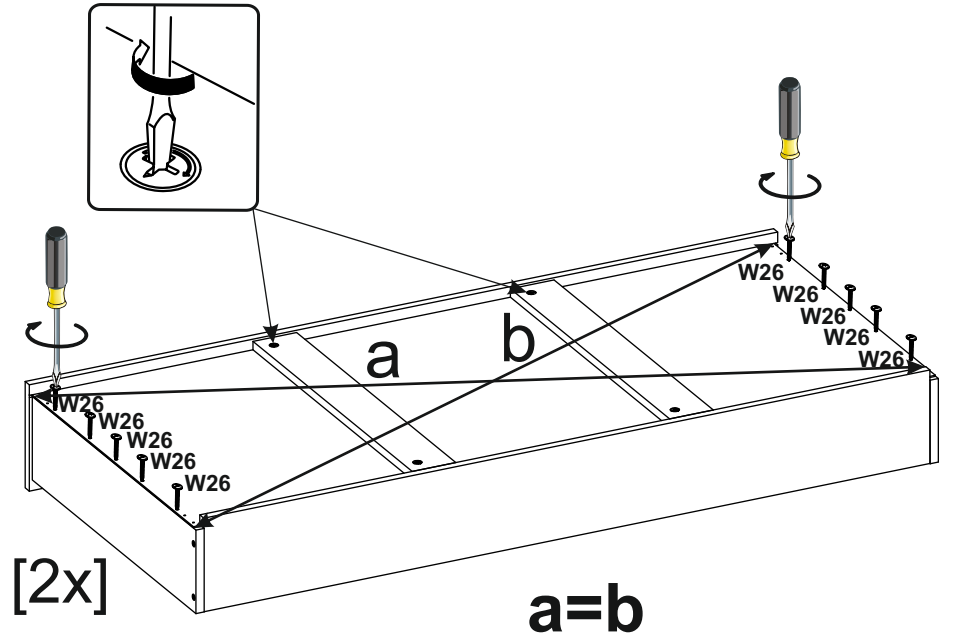
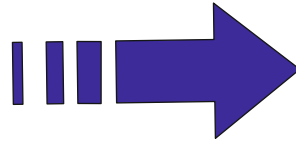
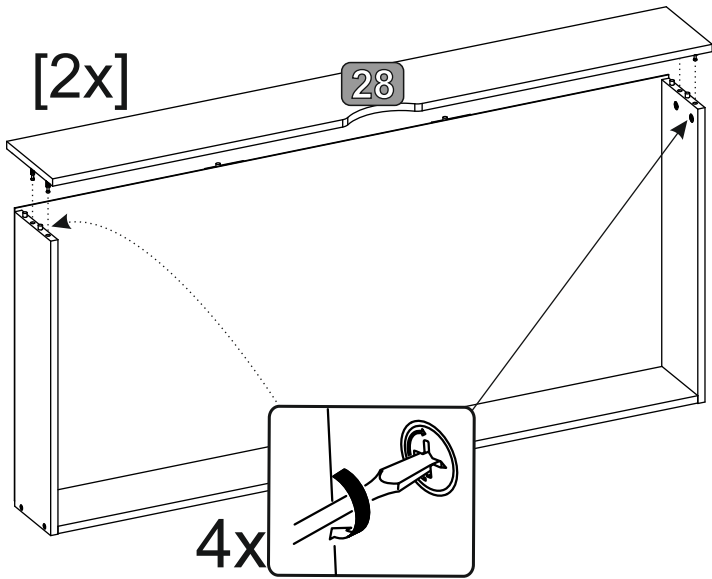
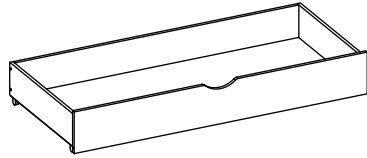
[2x]





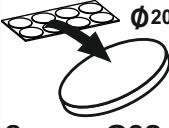
37

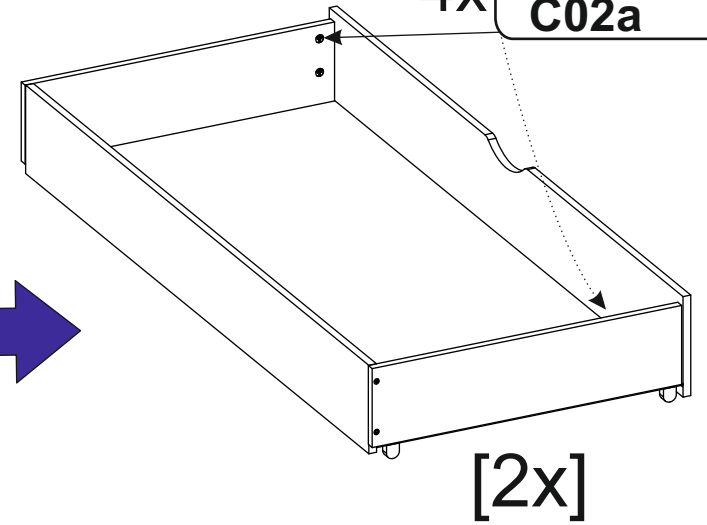
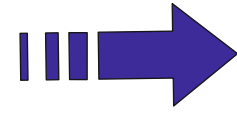
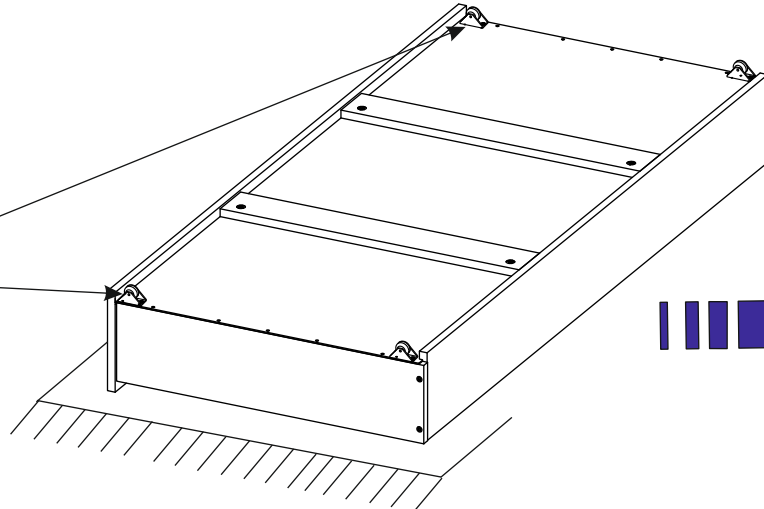
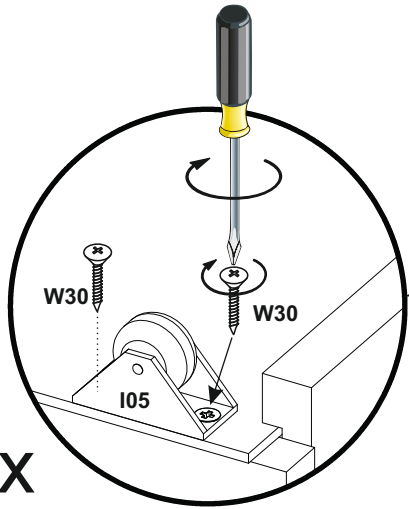
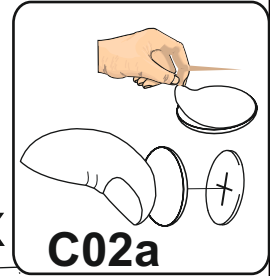
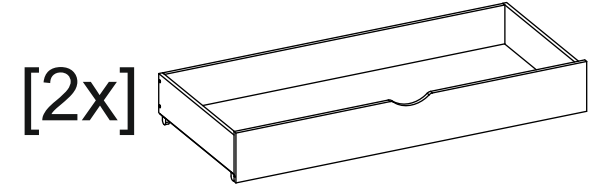
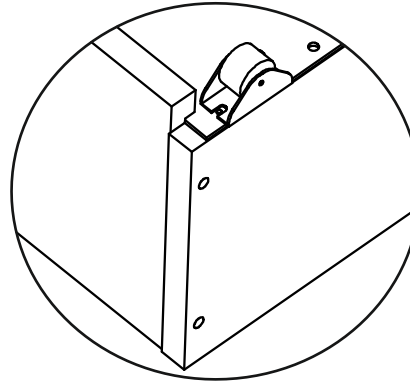
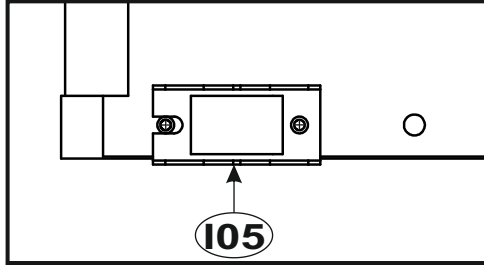







[2x]



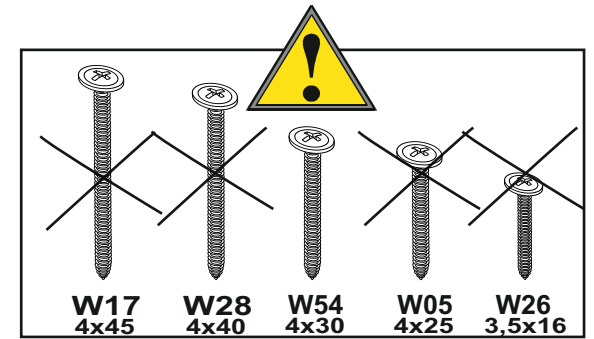
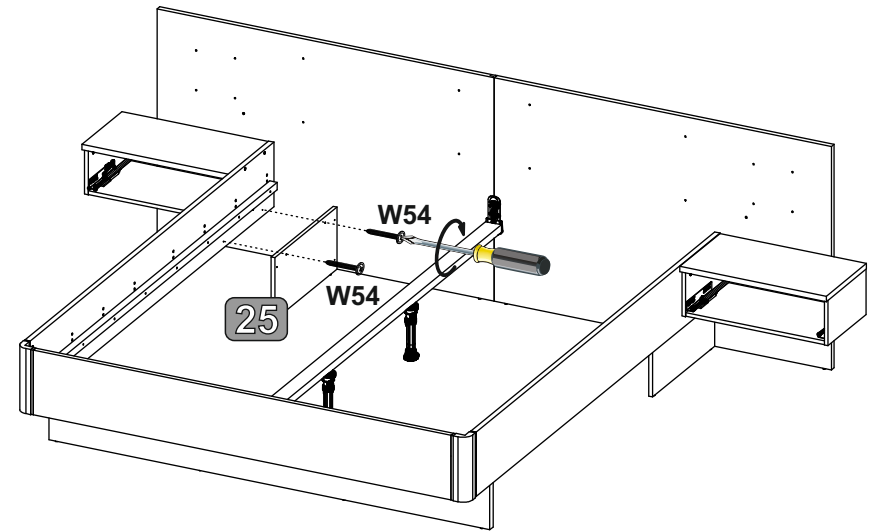
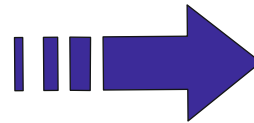
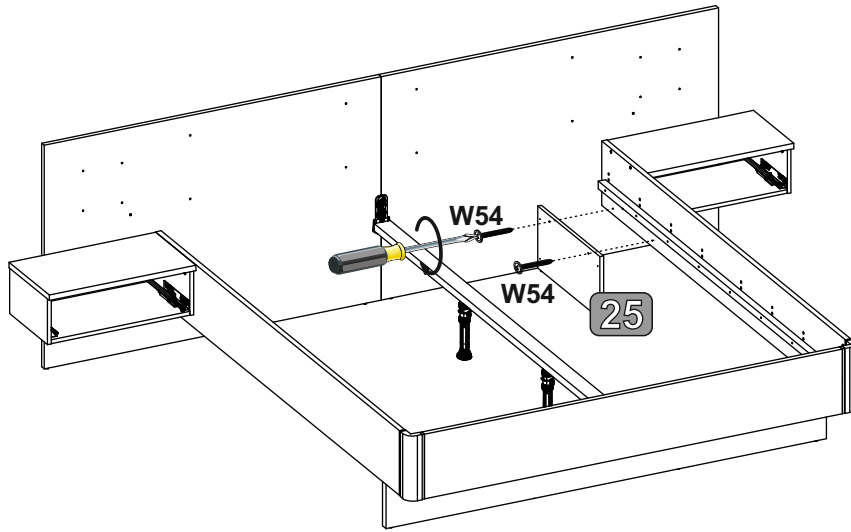
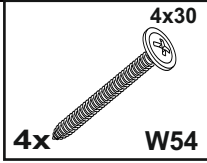
38

 8x I05	 16x W30	 8x C02a
---	--	---



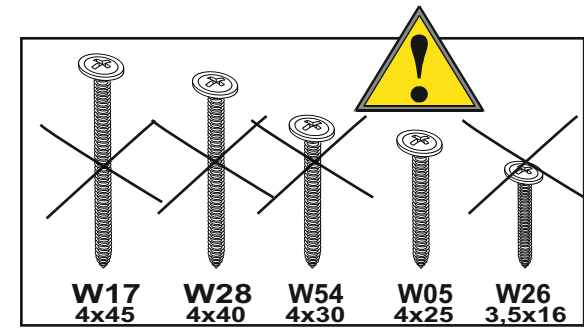
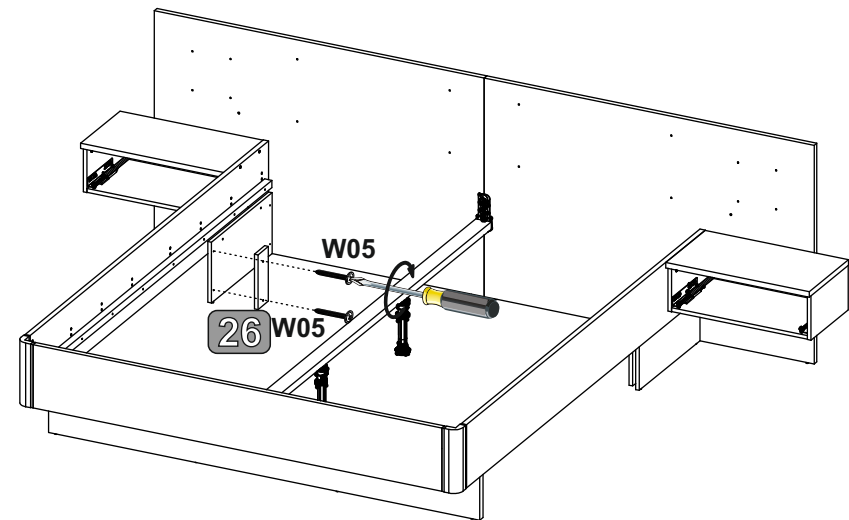
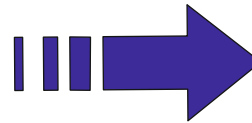
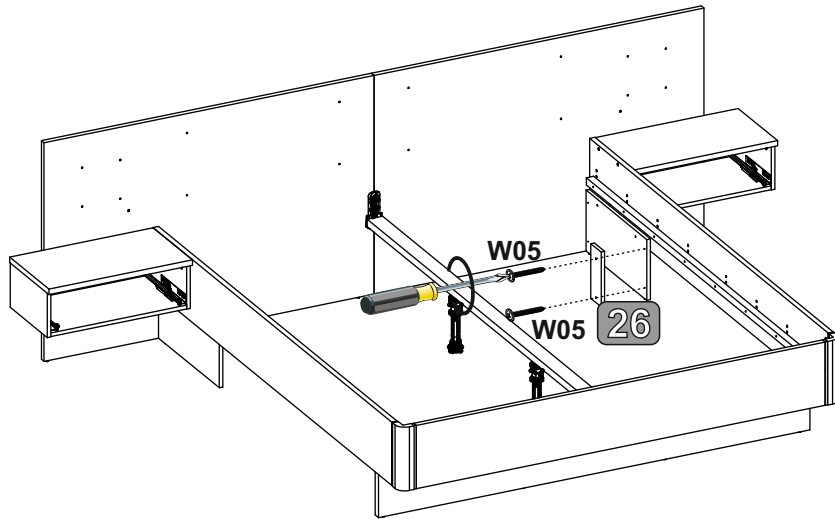
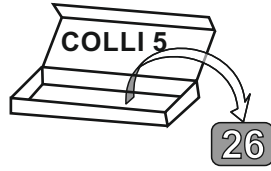
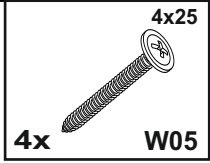
 W03 3x13	 W02 3,5x13	 W30 3,5x16	 W25 4x16	 W23 4x30
---	--	--	--	--

39

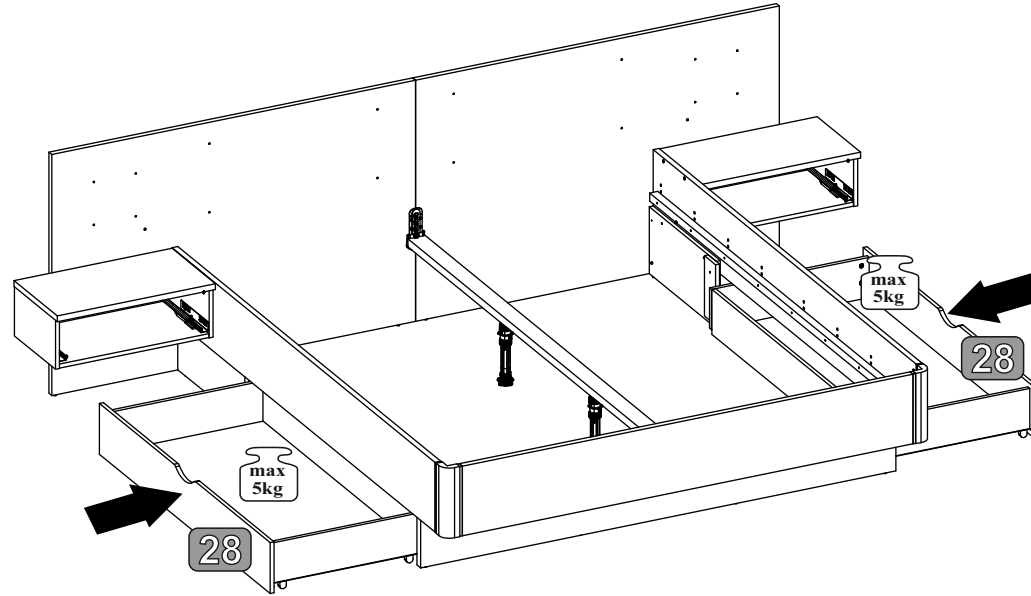




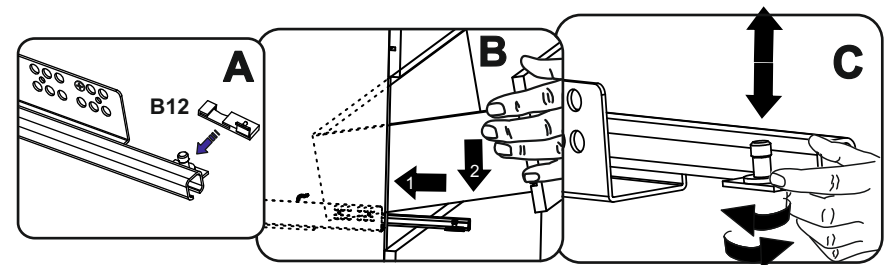
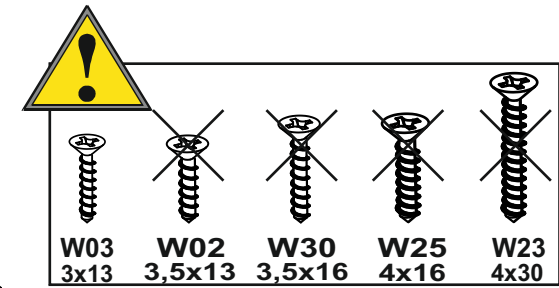
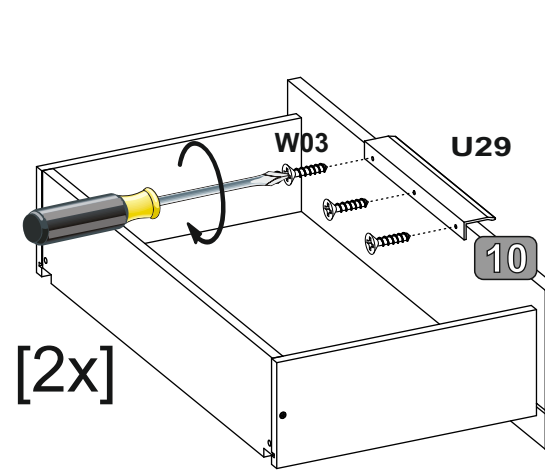
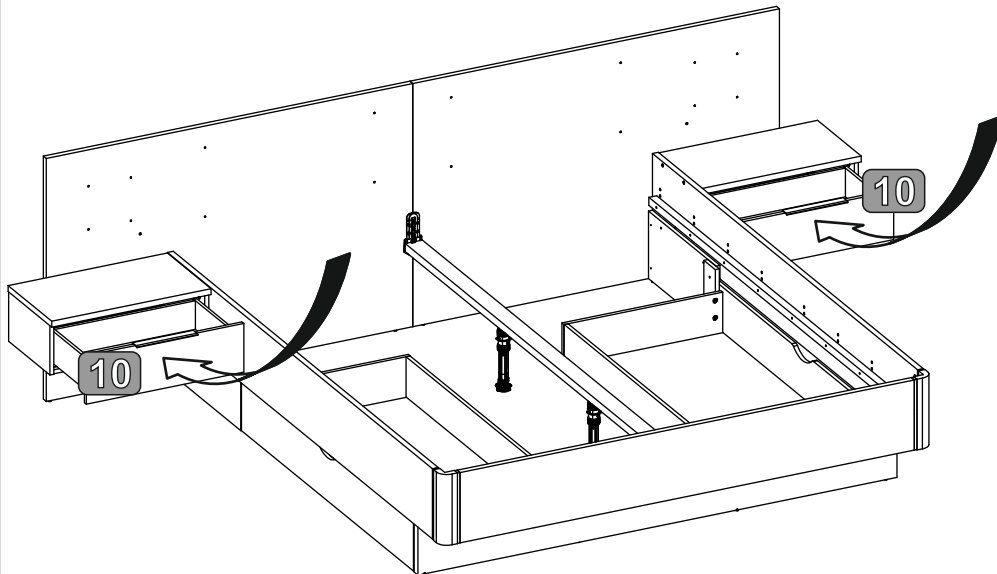
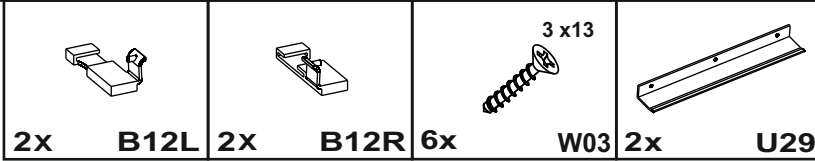
40



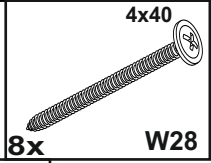
# 41



# 42



43



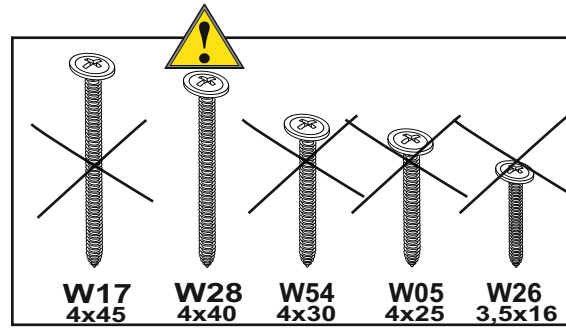
8x

W28



8x

G10



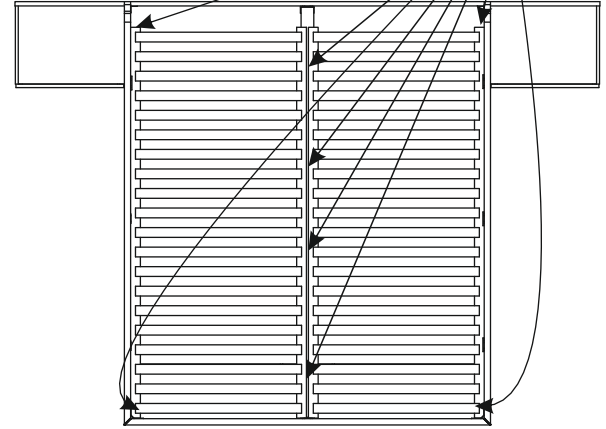
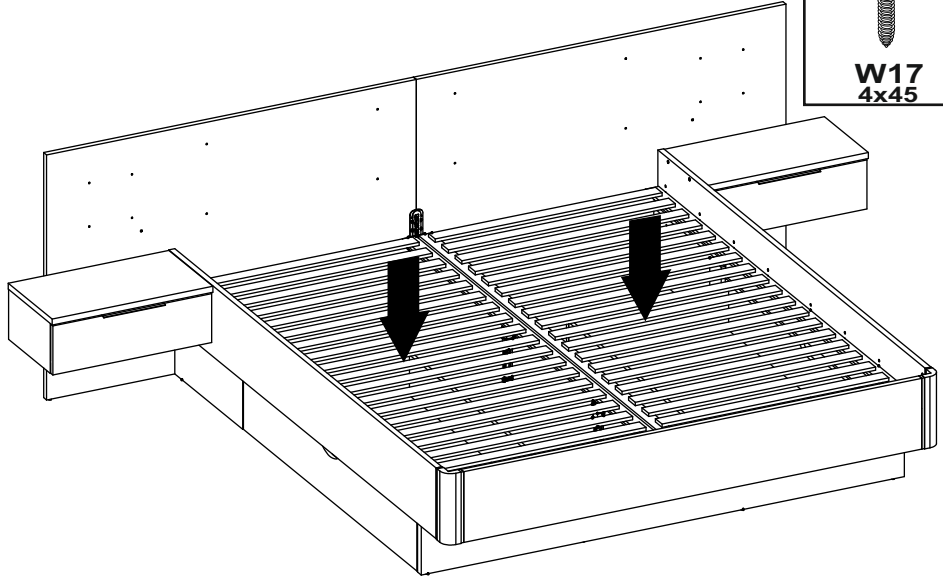
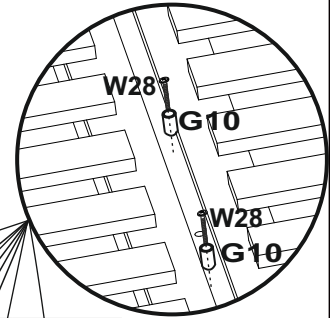
W17  
4x45

W28  
4x40

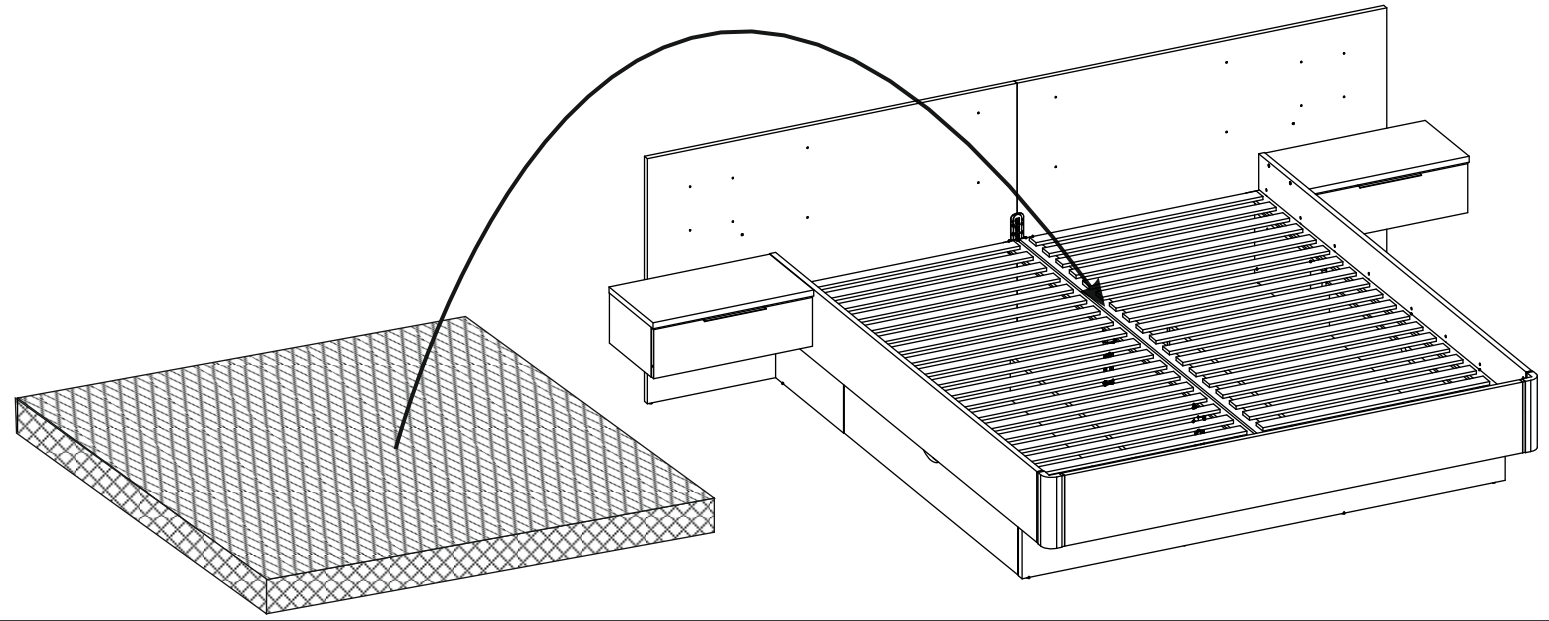
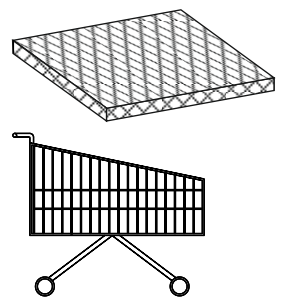
W54  
4x30

W05  
4x25

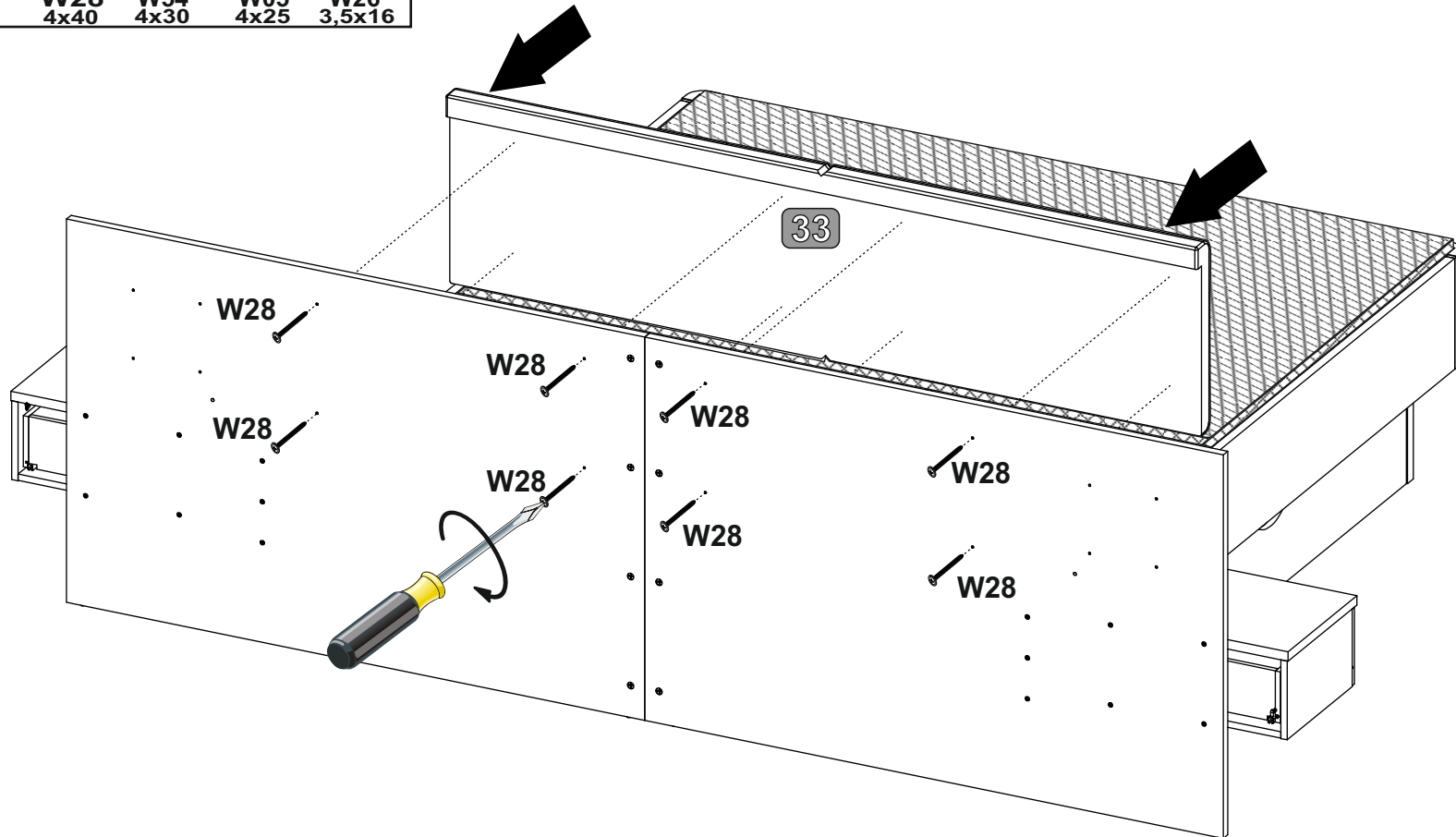
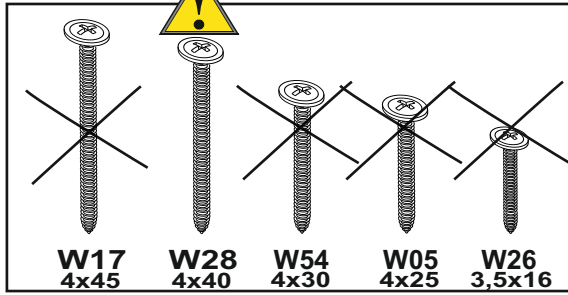
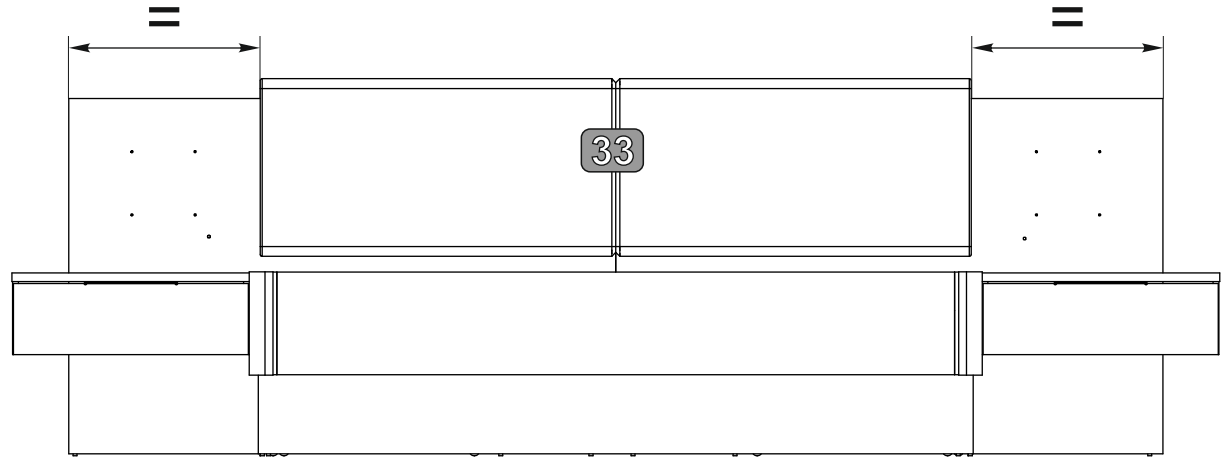
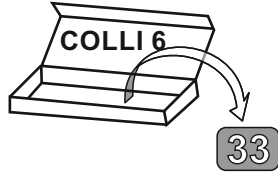
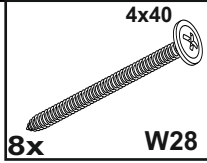
W26  
3,5x16



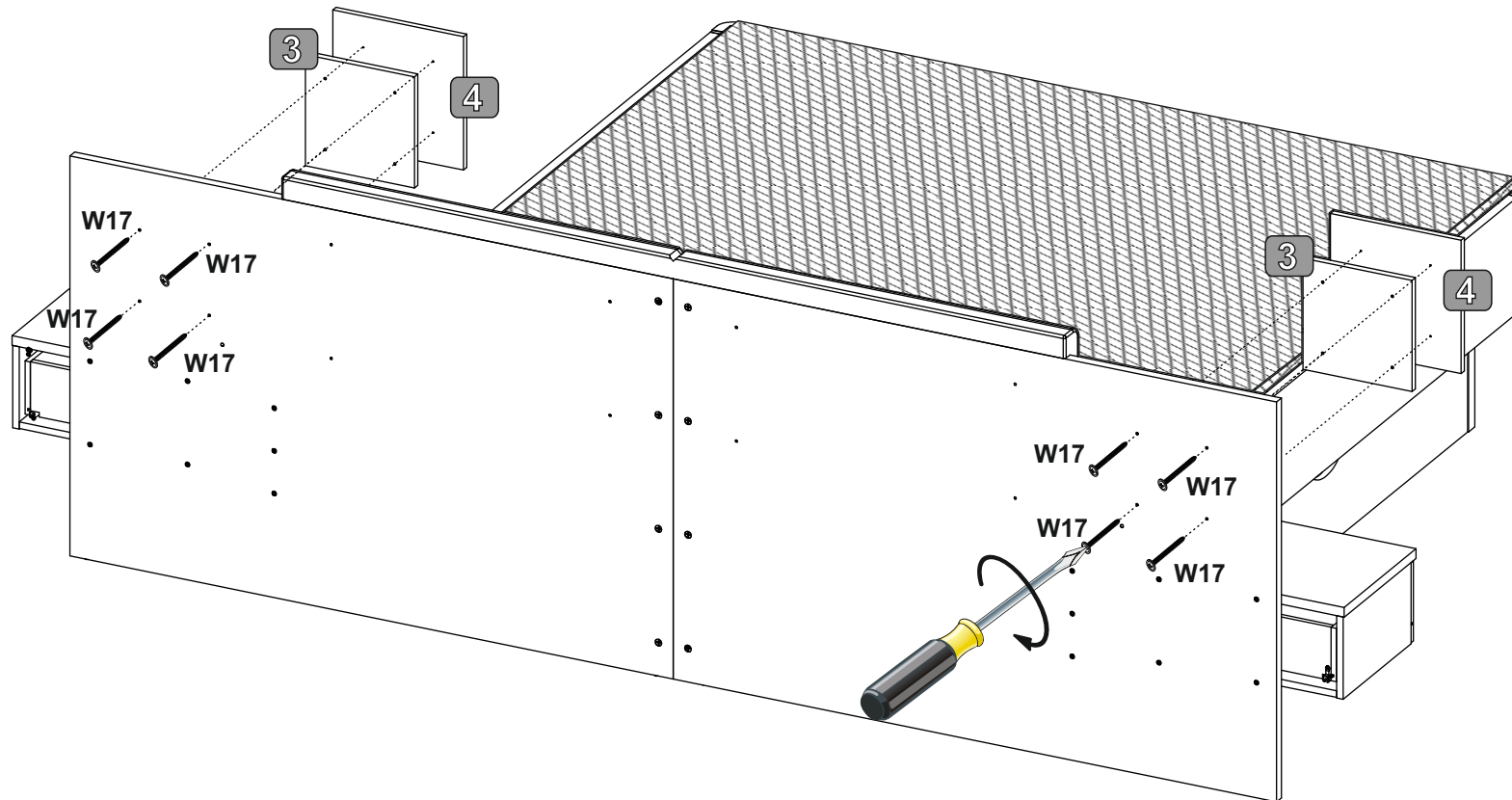
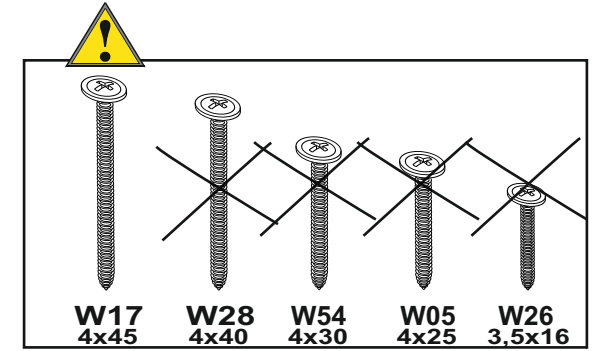
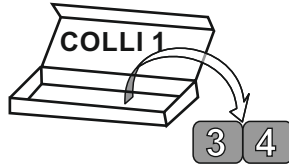
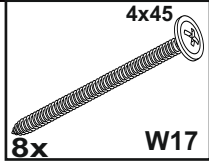
44



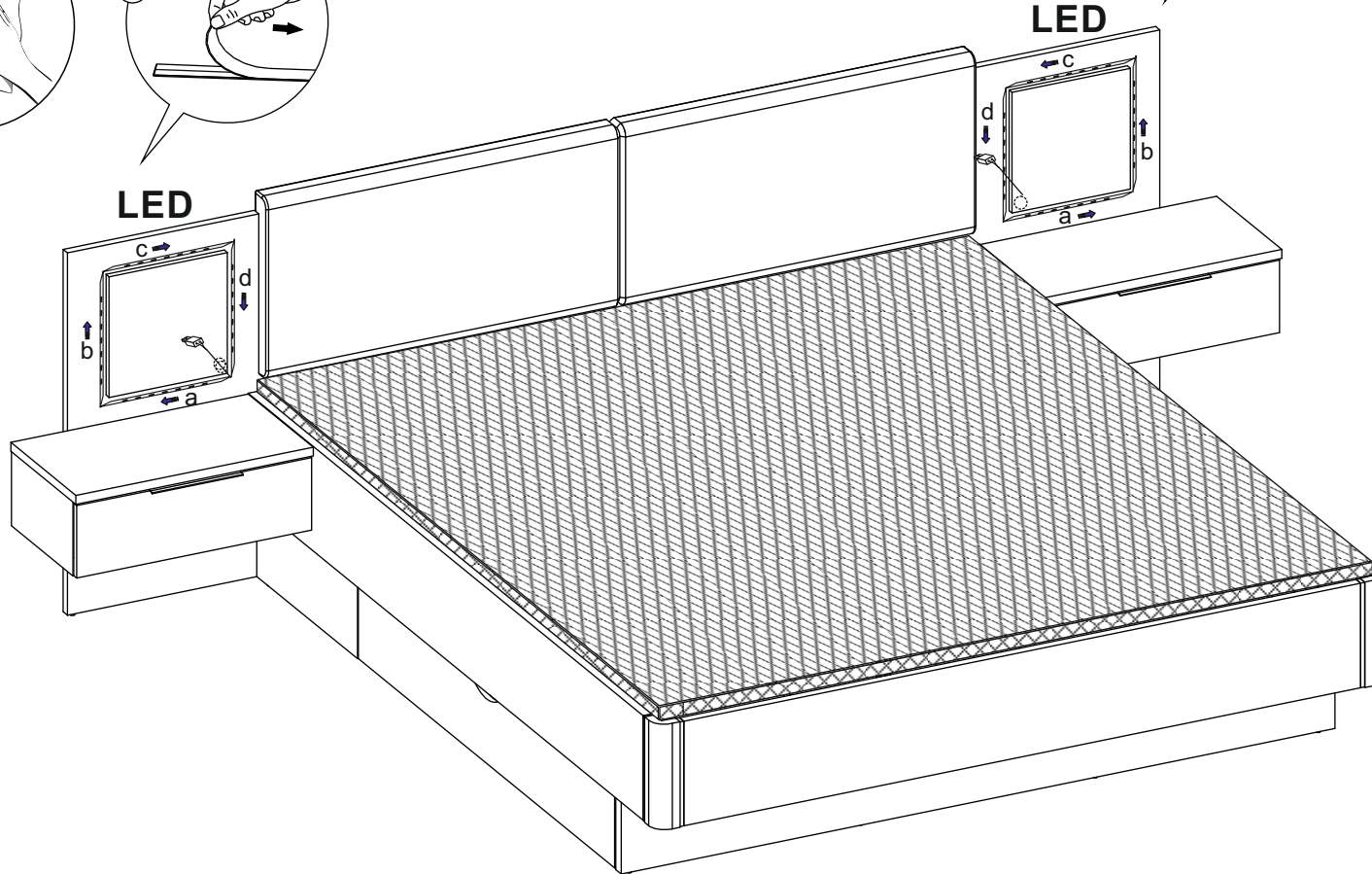
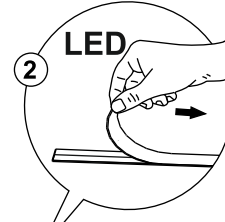
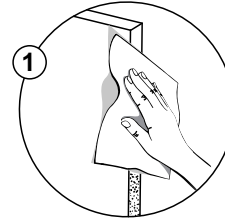
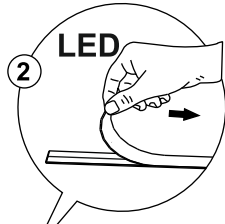
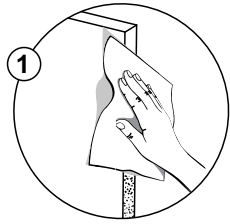
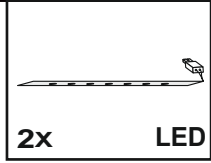
45



46



47



48

