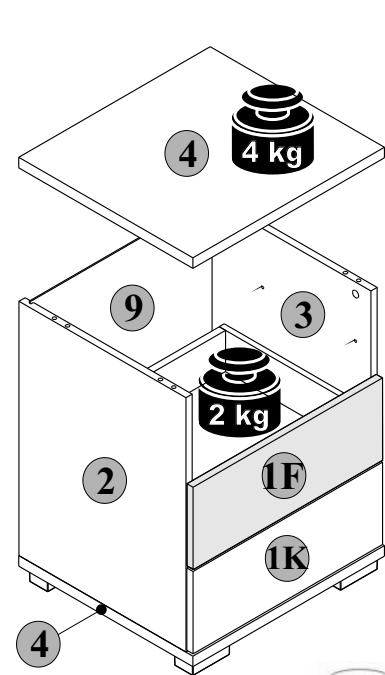
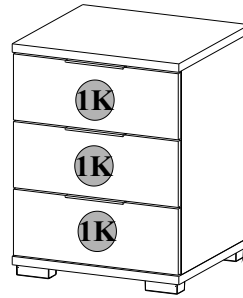


38-141-A1, 38-141-66, 38-141-A0, 38-141-A4  
 38-141-17, 38-141-E2, 38-141-A3, 38-141-F8  
 38-141-86, 87-203-R1, 38-243-N9, 38-141-R8  
 38-141-O5, 38-206-T2, 38-243-17, 38-243-R1  
 87-207-T2 38-141-J8

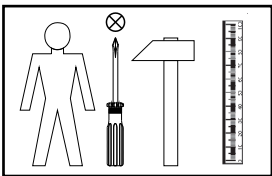
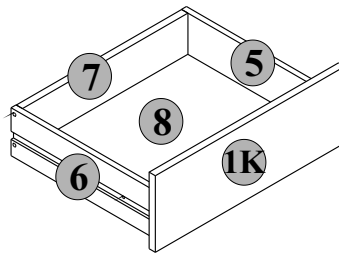
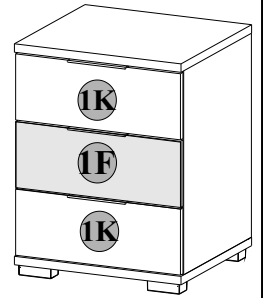
# NAKO S307-KOM3S/46/60 L92-KOM3S/46/60



38-141-17  
 38-141-66  
 38-141-A0  
 38-141-A4  
 38-141-E2  
 38-141-F8  
 38-141-86  
 38-141-O5  
 38-141-R8  
 38-243-17  
 38-141-J8



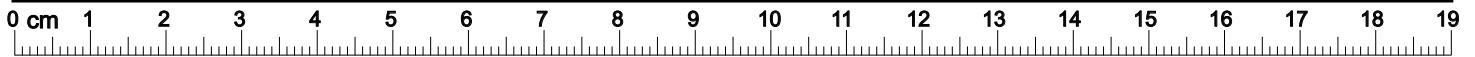
38-141-A1  
 38-141-A3  
 87-203-R1  
 38-243-N9  
 38-206-T2  
 38-243-R1  
 87-207-T2



45min

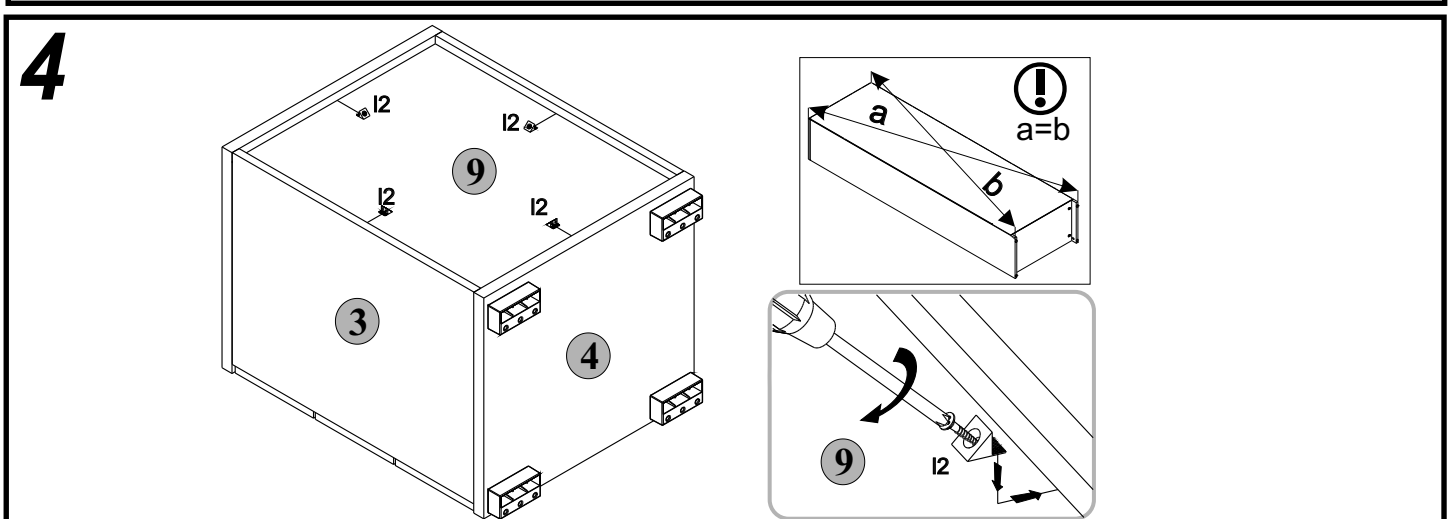
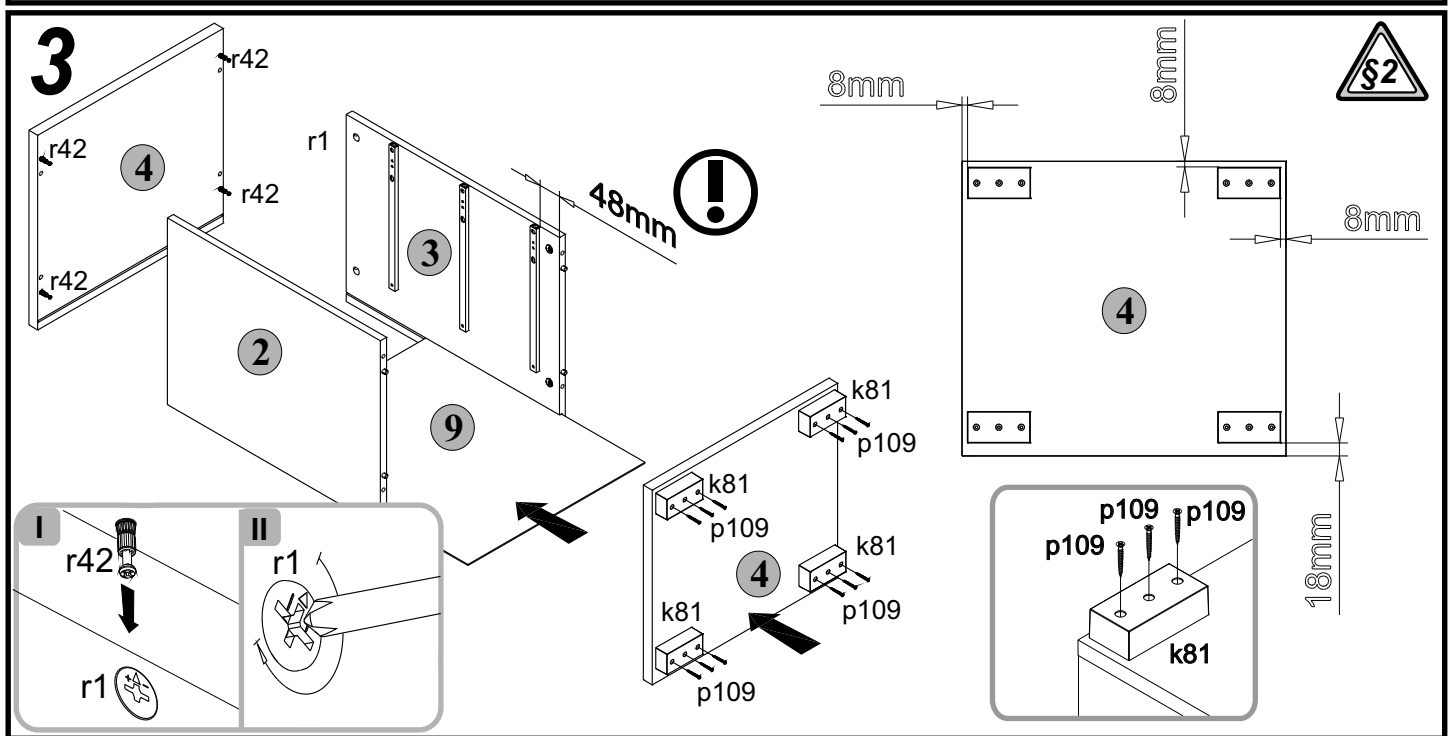
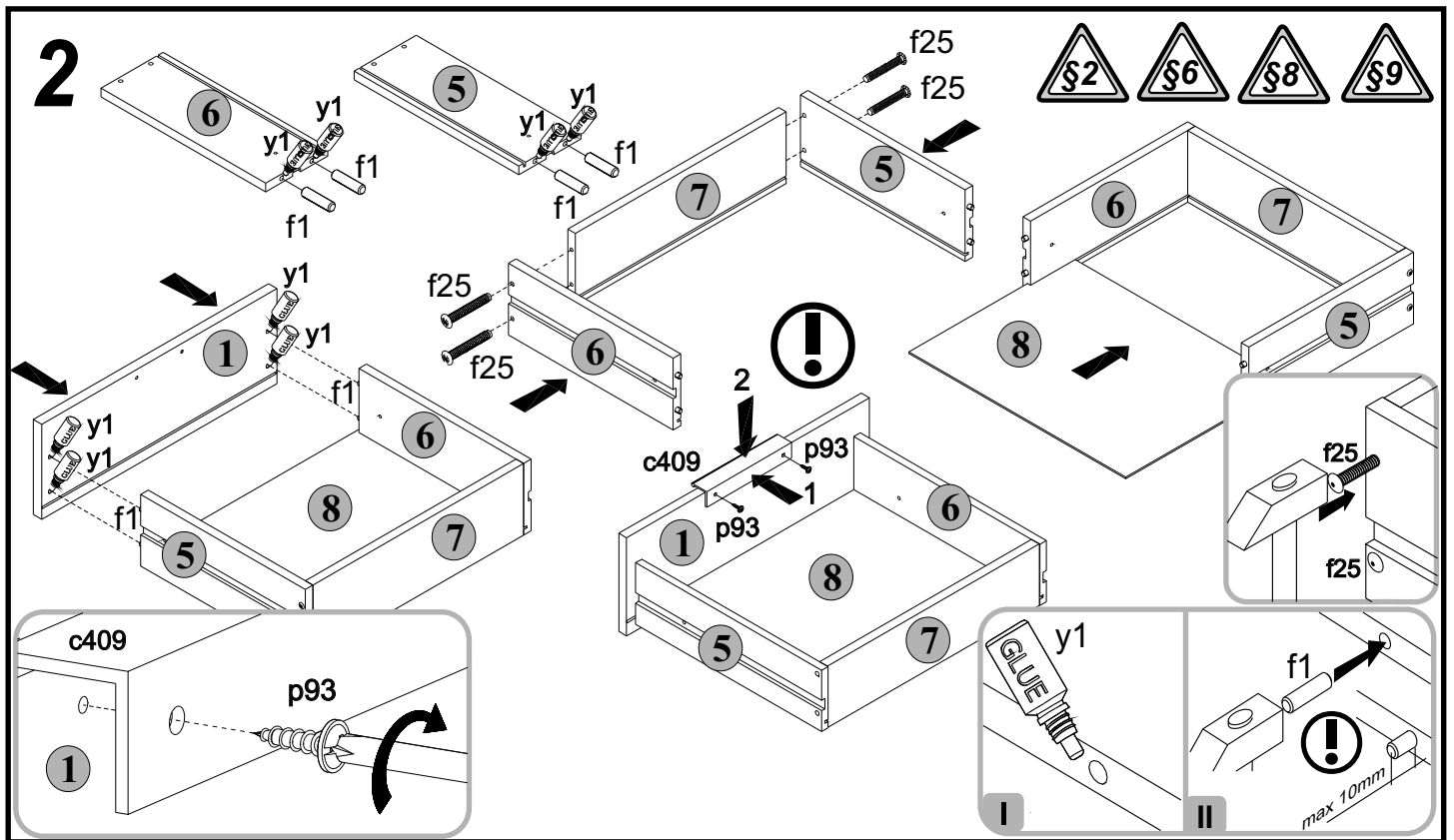


A	B	C	D
1K	S307-006K	457x172x15	1/1
1F	S307-006F	457x172x15	1/1
2	S307-105	531x403x15	1/1
3	S307-106	531x403x15	1/1
4	S307-203	462x420x22	1/1
5	MZ1-520	350x100x12	1/1
6	MZ1-521	350x100x12	1/1
7	S307-536	399x100x15	1/1
8	S307-903	410x346x2,5	1/1
9	S307-904	541x441x2,5	1/1

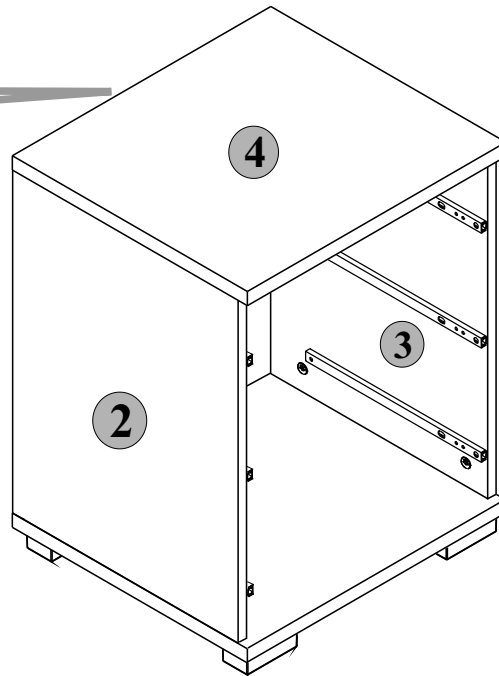
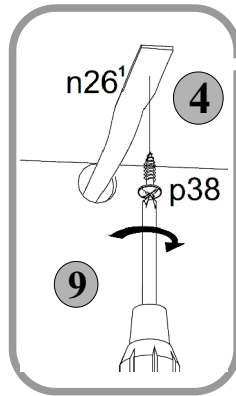
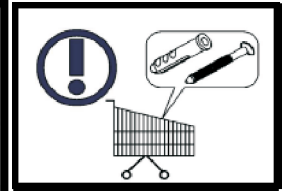
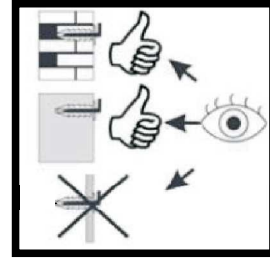
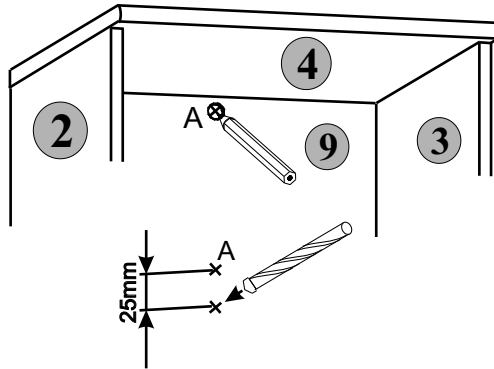
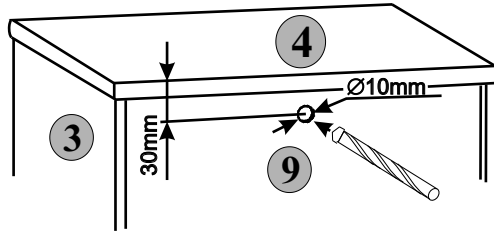


1x φ3,5x16 mm <b>p38</b>	1x <b>n26'</b>	3x <b>c409</b>	12x φ6x13 mm <b>e3</b>	20x φ8x30 mm <b>f1</b>	12x φ6,5x40 mm <b>f25</b>
6x M4x9 mm <b>j2</b>	4x 90x45x28 mm <b>k81</b>	6x φ4x13 mm <b>p93</b>	12x φ3,5x35 mm <b>p109</b>	4x <b>l2</b>	8x φ15x12mm #16 <b>r1</b>
			8x <b>r42</b>	1x <b>y1</b>	6x 310 mm <b>w4</b>

**1**



# 5



# 6

