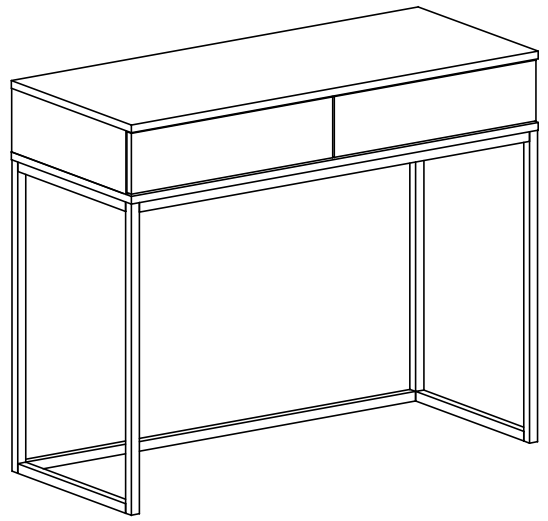
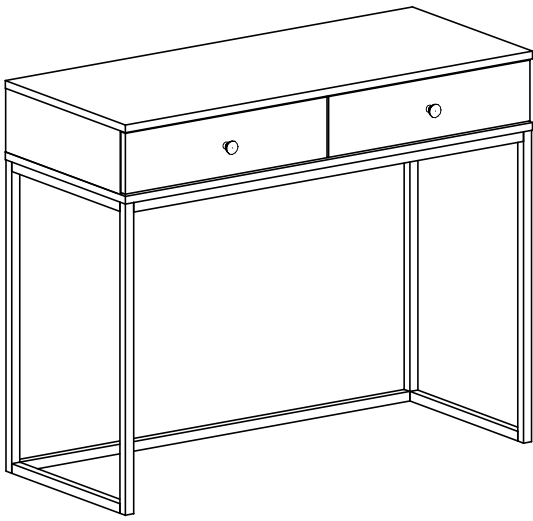
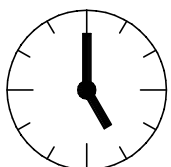
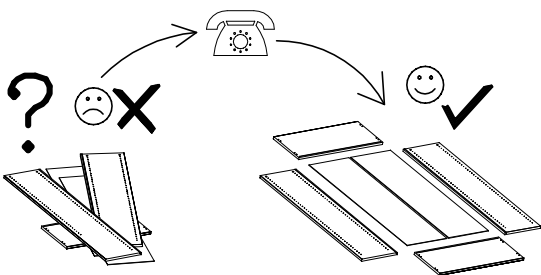
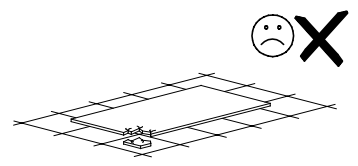
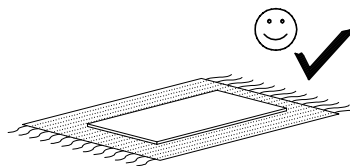
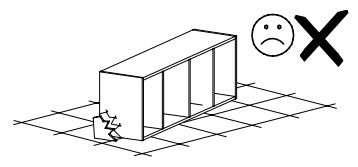
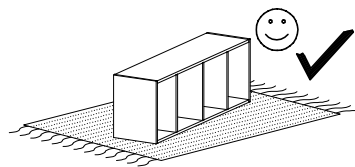
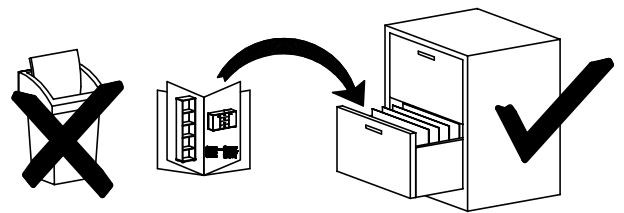
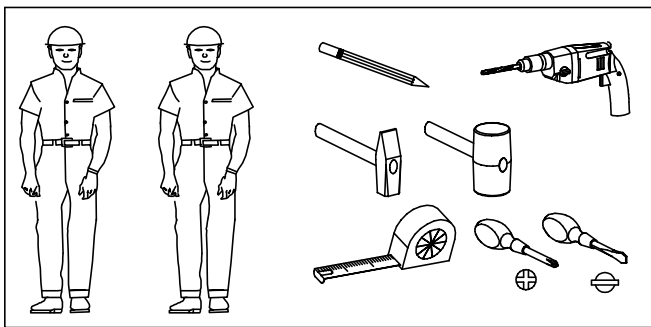


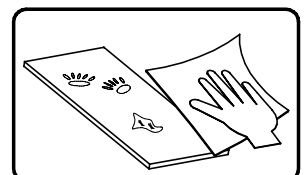
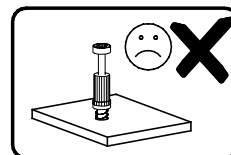
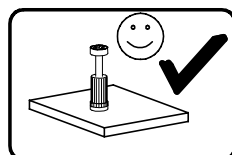
# GLAMOUR – table



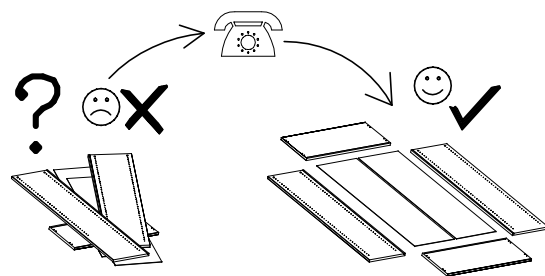
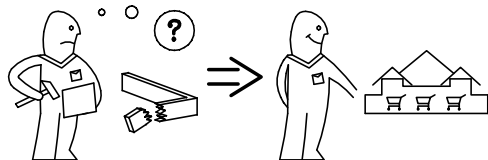
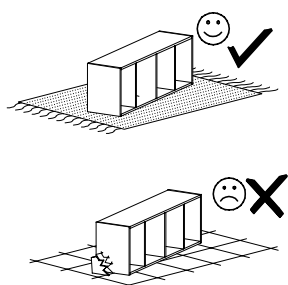
PUSH



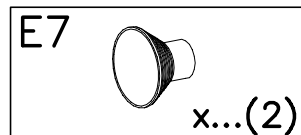
1,5h



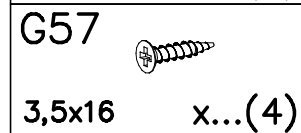
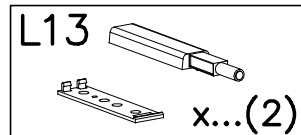
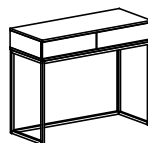
# GLAMOUR – table



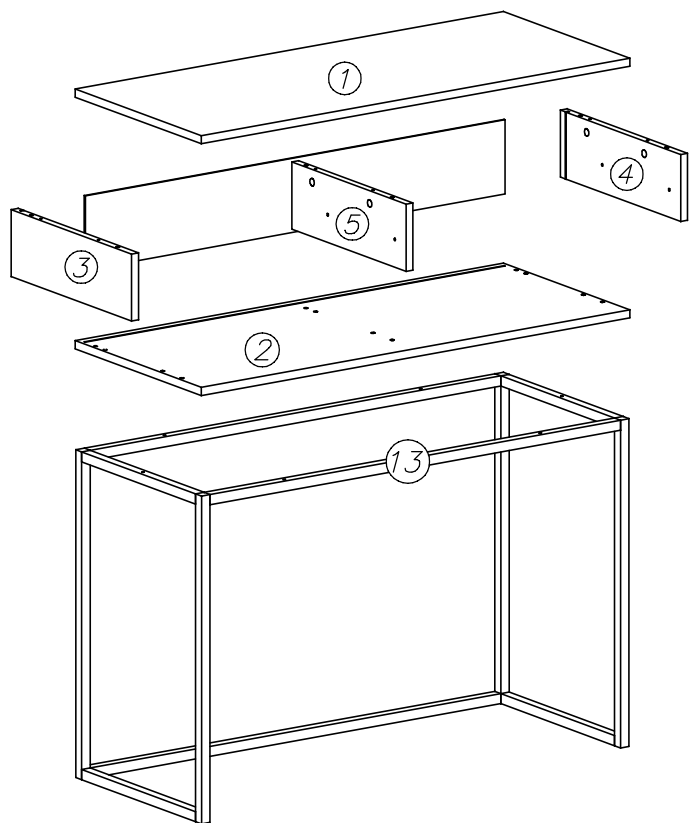
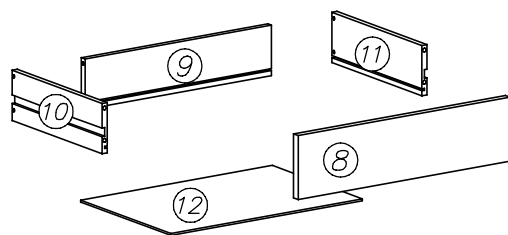
## OPCJA A


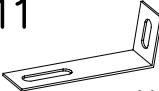

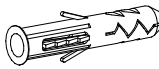


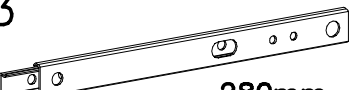


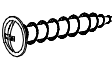
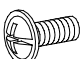
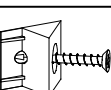

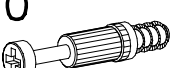

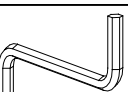




## OPCJA B



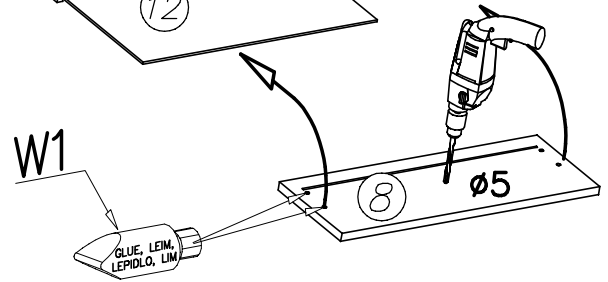
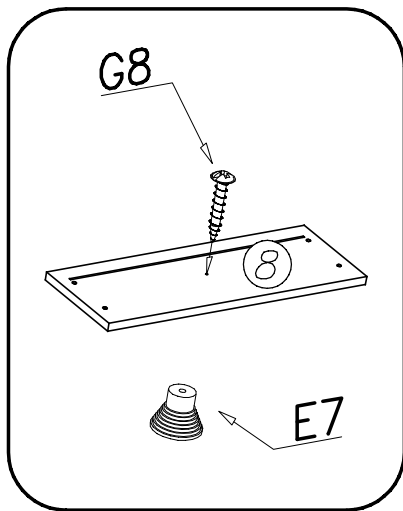
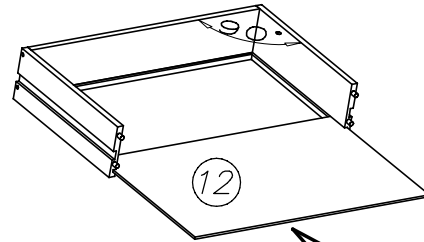
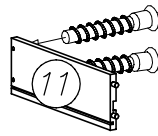
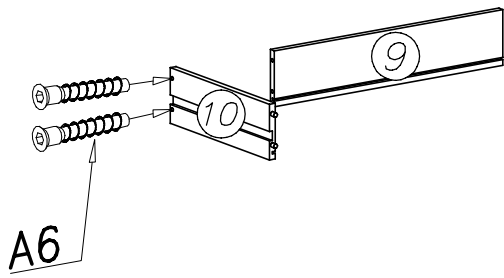
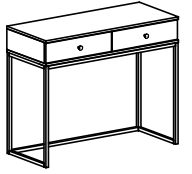
PUSH



	G34  3,5x16 x...(2)	M11  x...(1)	G28  4x60 x...(1)	U6  ø8x40 x...(1)
I22  x...(4)	G49  6x20 x...(4)	H3  280mm x...(4)	G50  6x13 x...(4)	
K1  ø15x12 x...(6)	G8  4x30 x...(8)	N1  M4x9 x...(4)	I1  x...(4)	W1  GLUE, LEIM, LEPIDLO, LIM x...(1)
K10  x...(6)	B1  ø8x35 x...(20)	W2  x...(1)	A6  ø7x40 x...(8)	A1  ø7x50 x...(6)

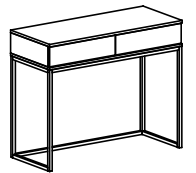
I

OPCJA A

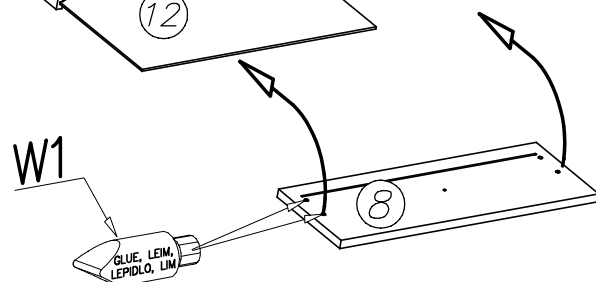
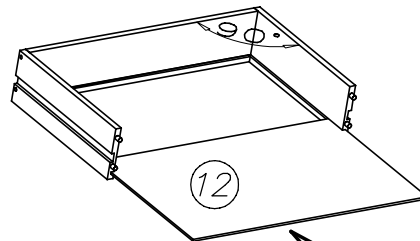
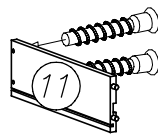
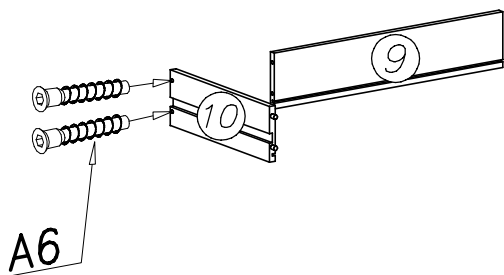


II

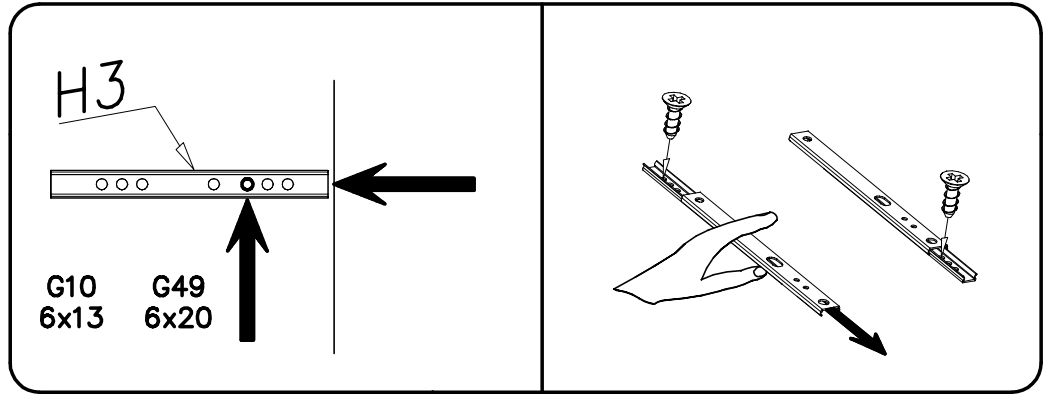
OPCJA B



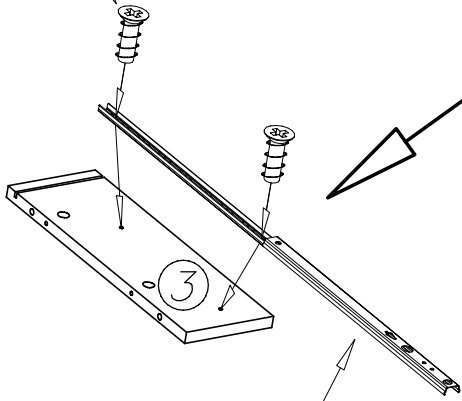
PUSH



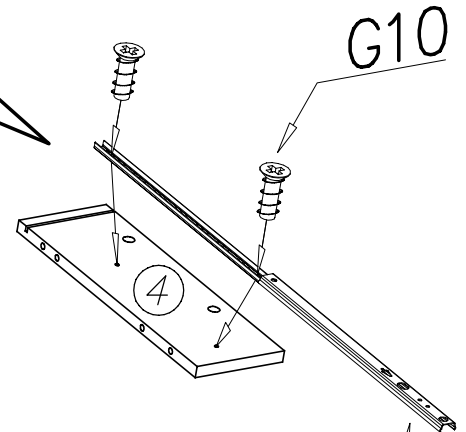
## III



G10

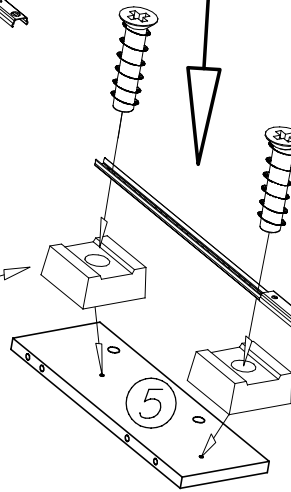


H3



G10

I22



G49

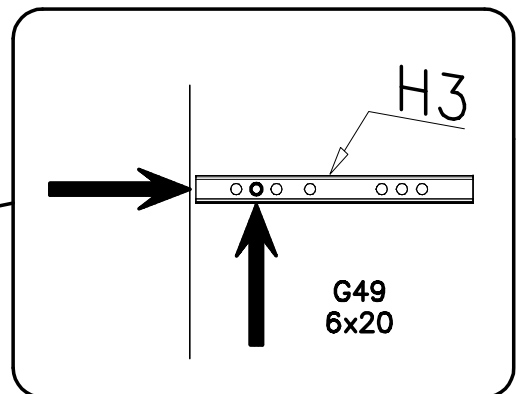
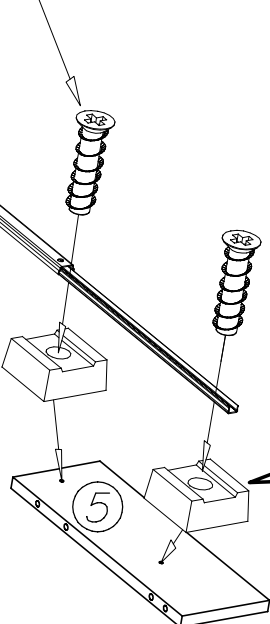
H3

H3

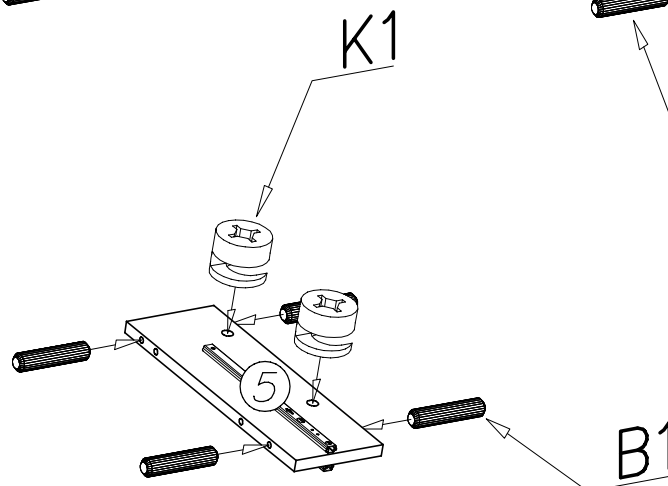
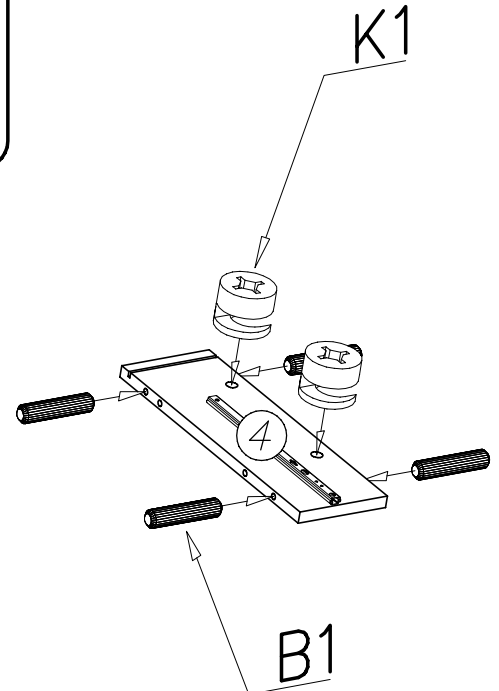
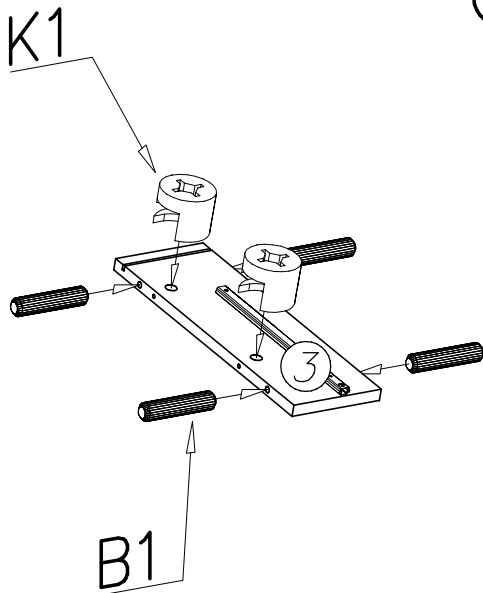
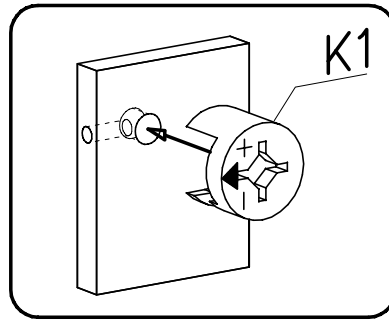
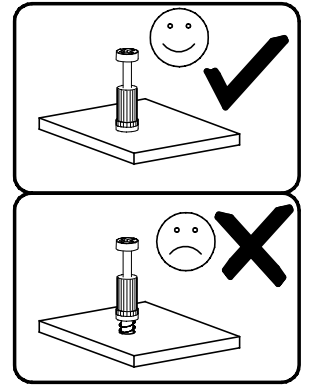
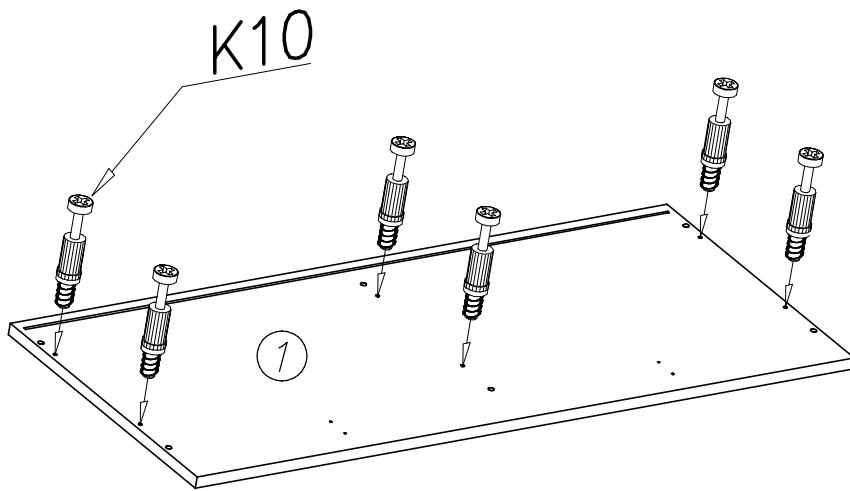
G49

H3

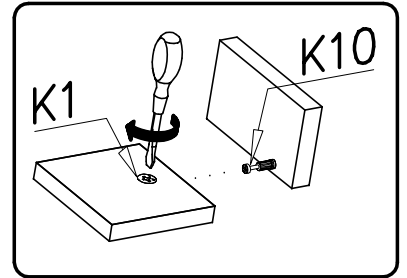
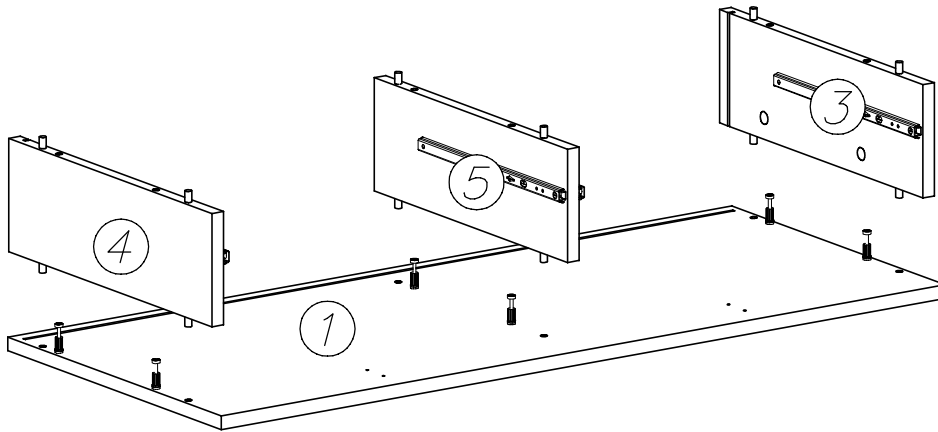
I22



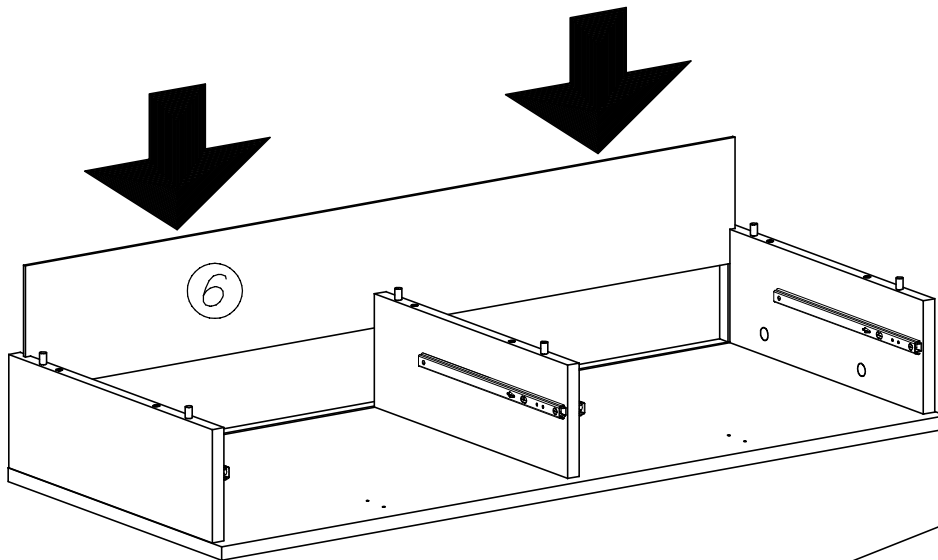
IV



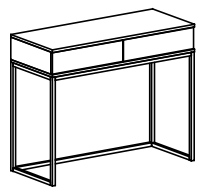
V



VI

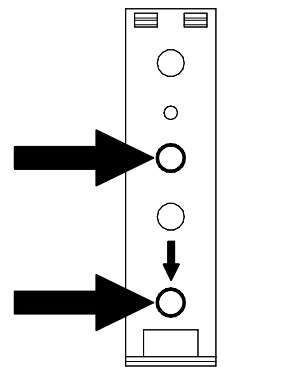
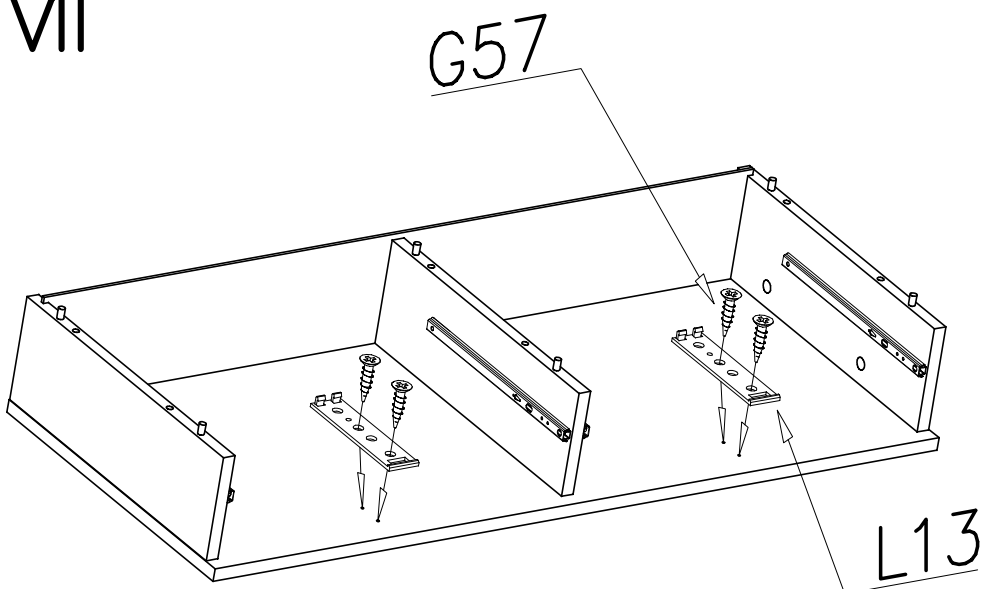


OPCJA B



PUSH

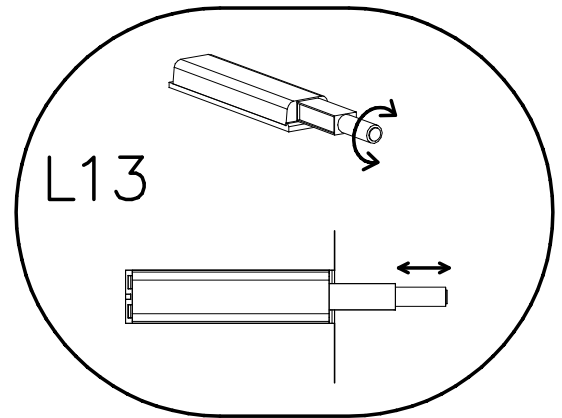
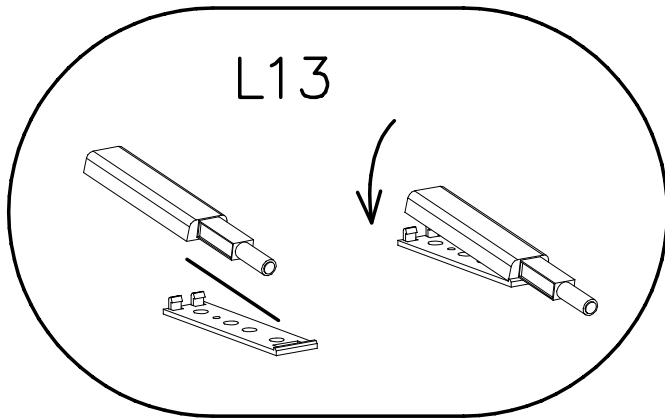
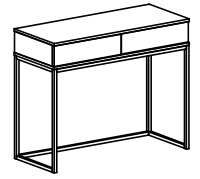
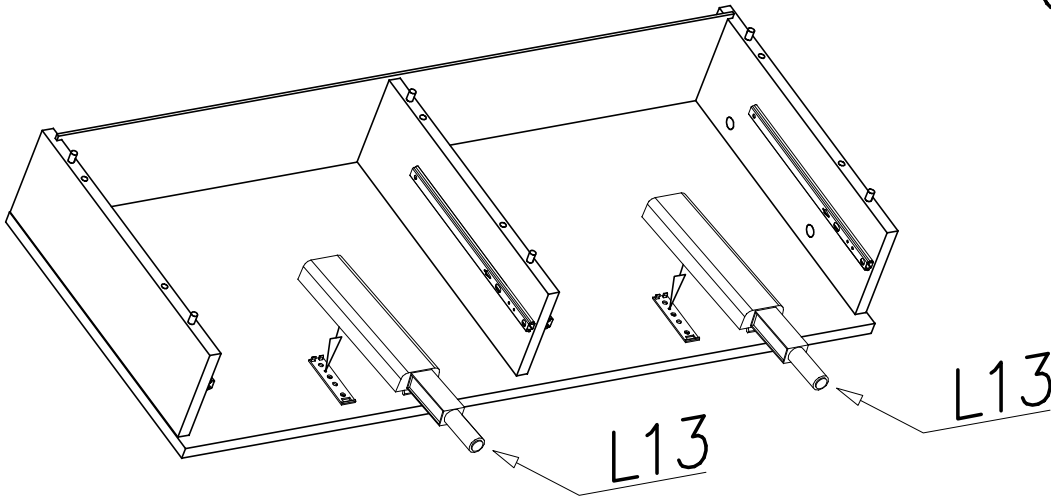
VII



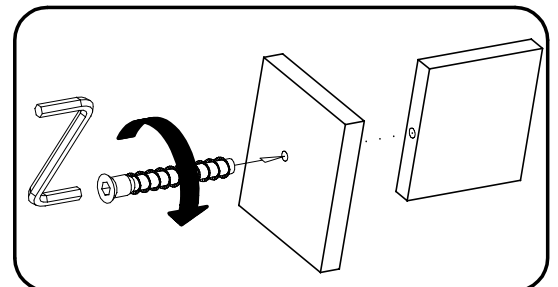
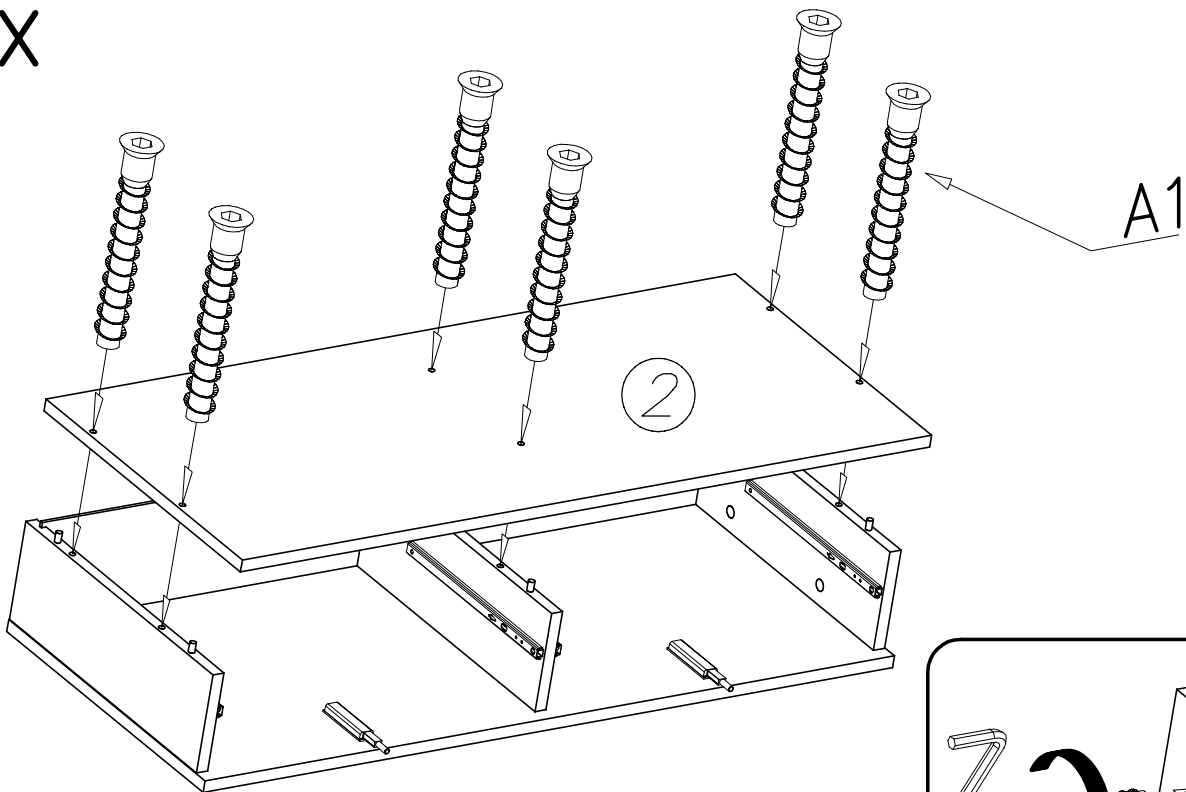
front

## VIII

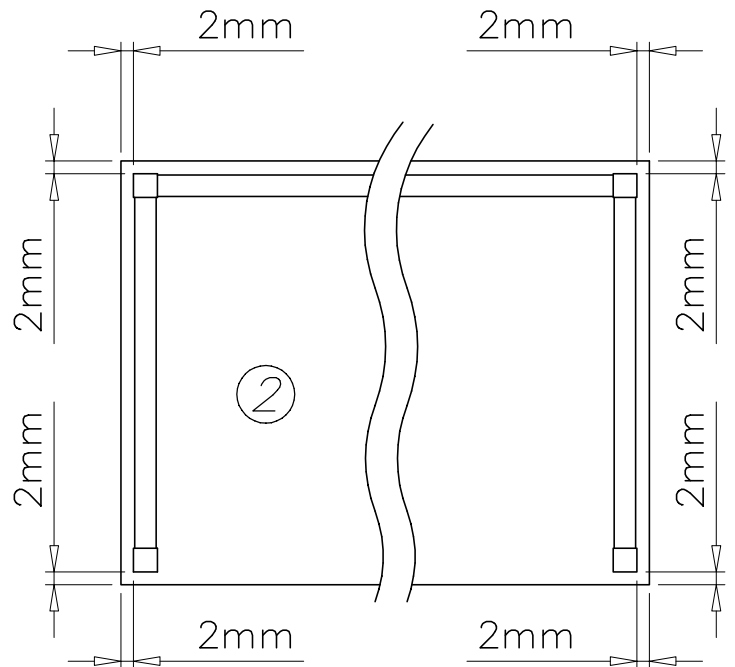
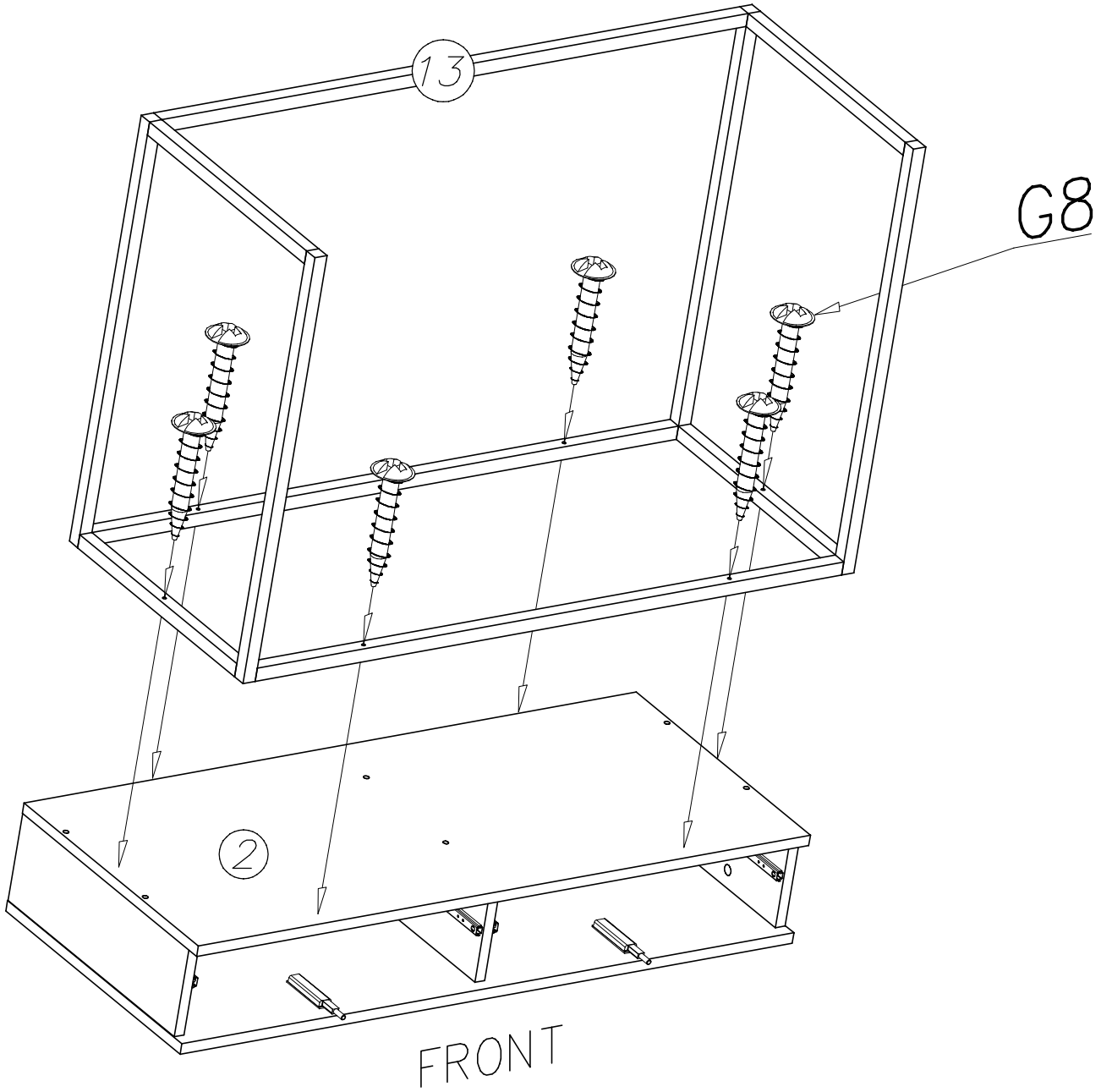
OPCJA B



## IX

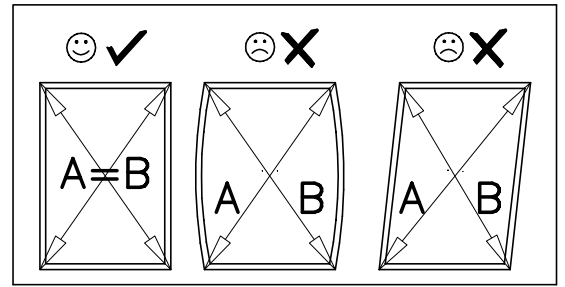


X

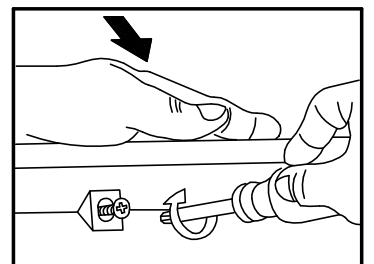
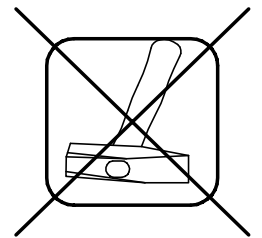
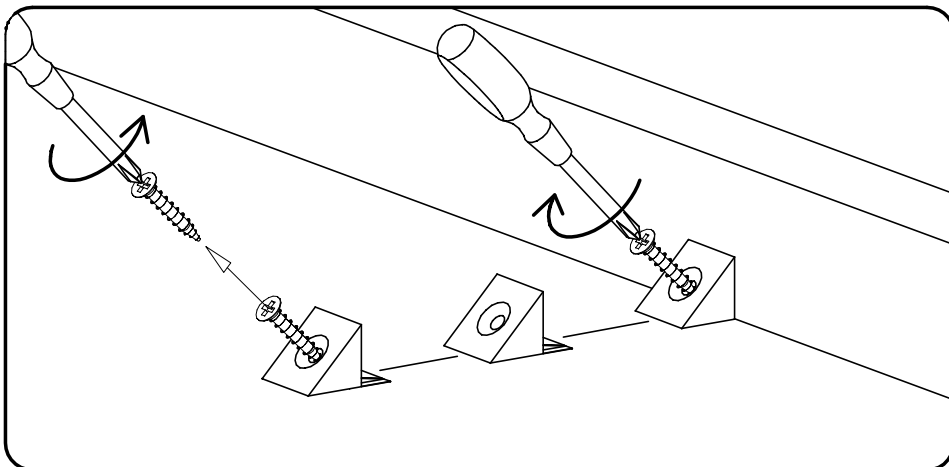
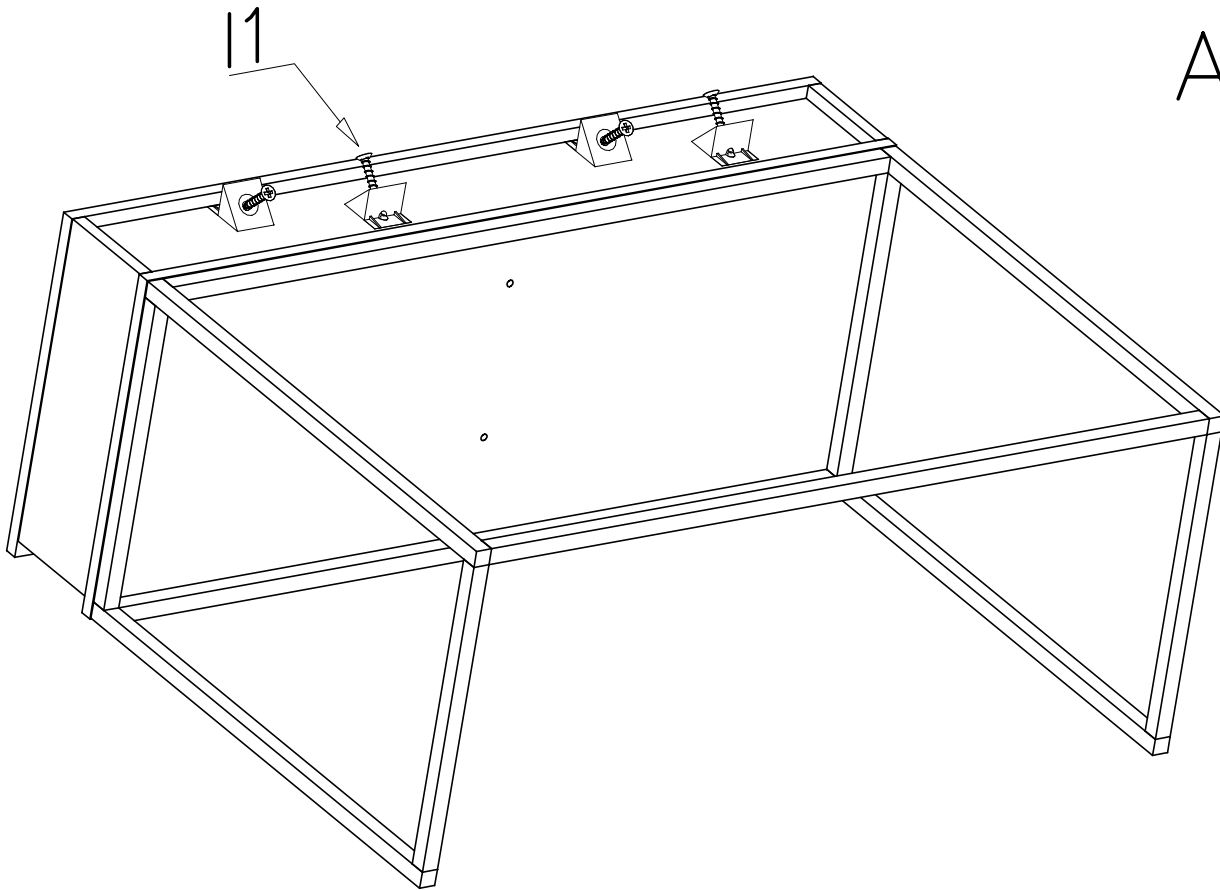


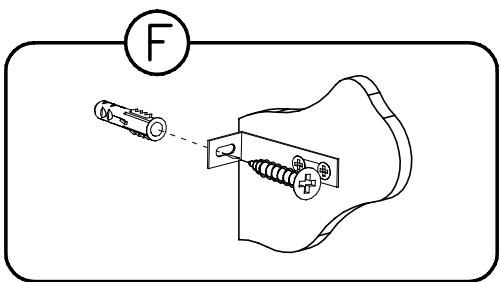
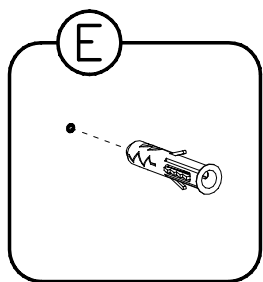
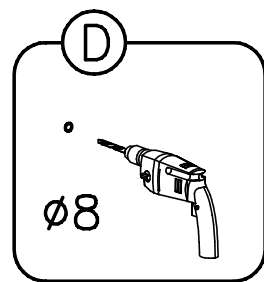
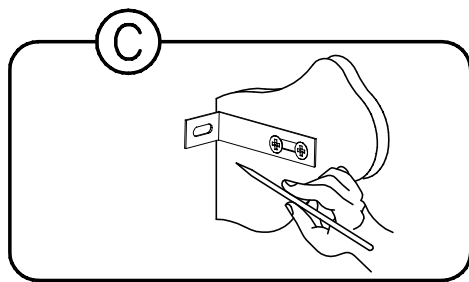
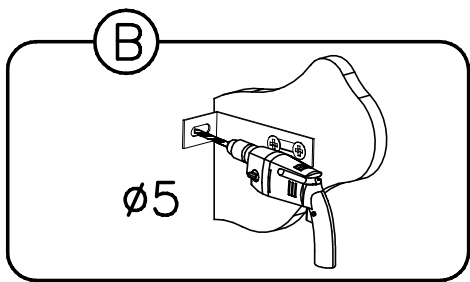
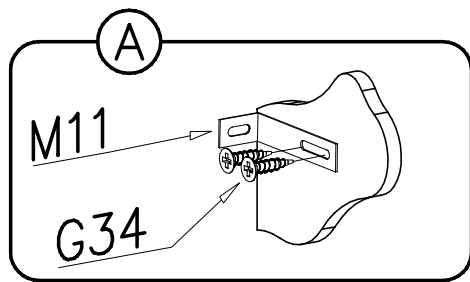


## XI

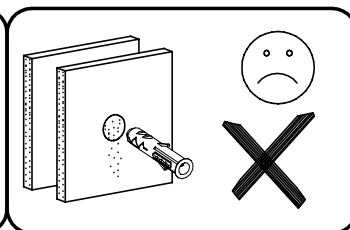
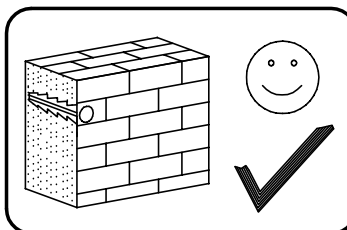
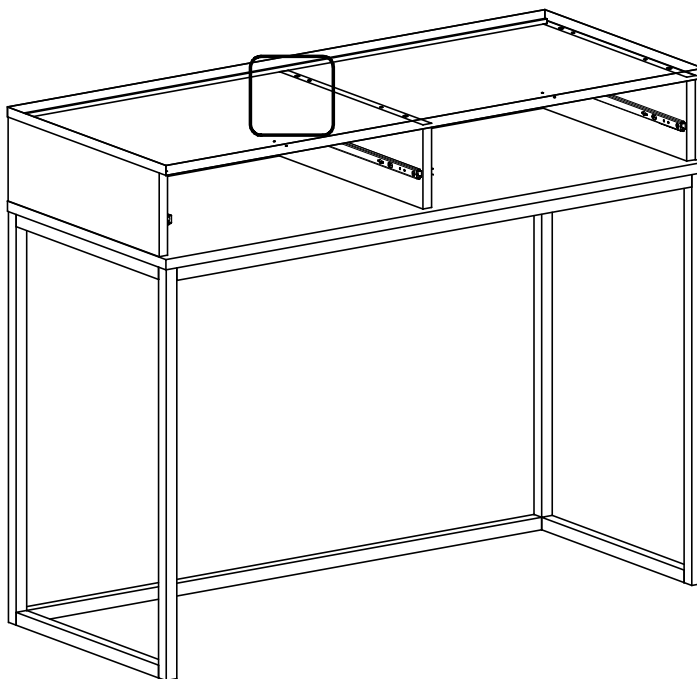


A=B

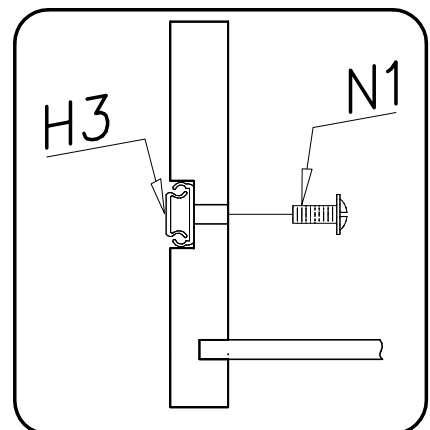
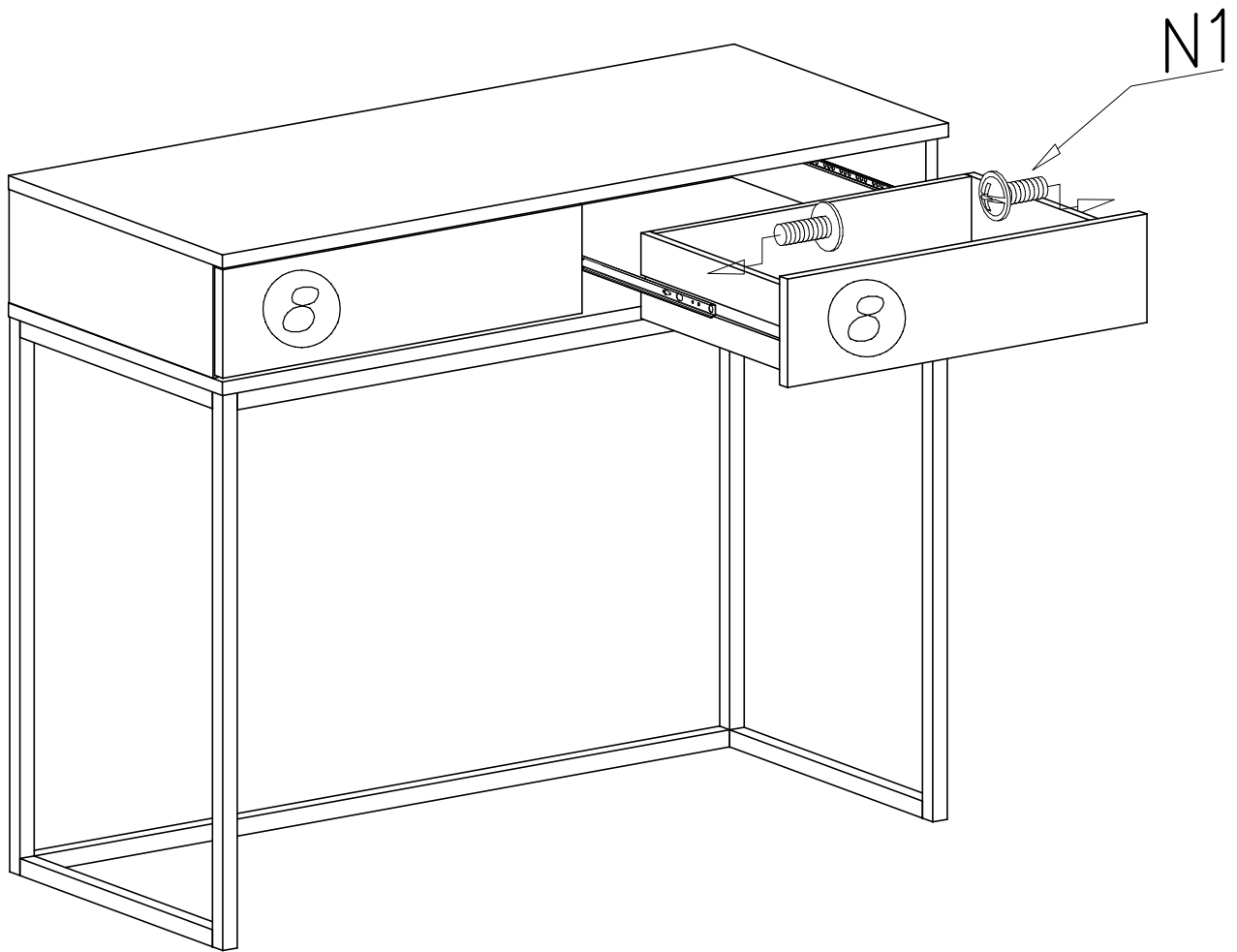


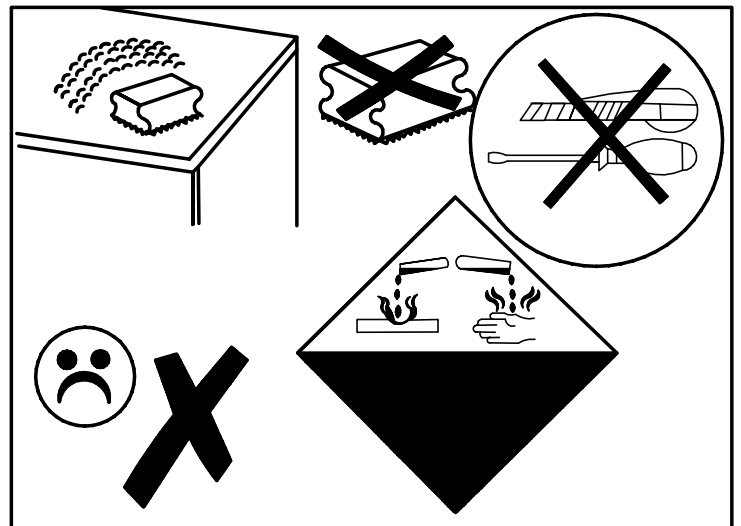
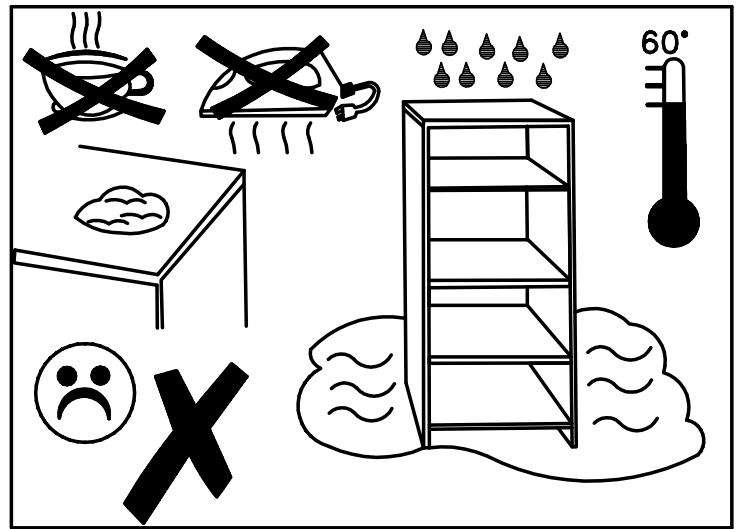
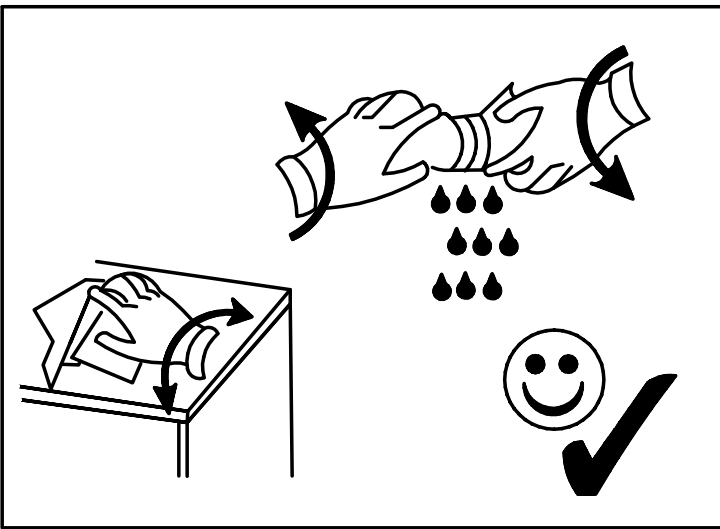
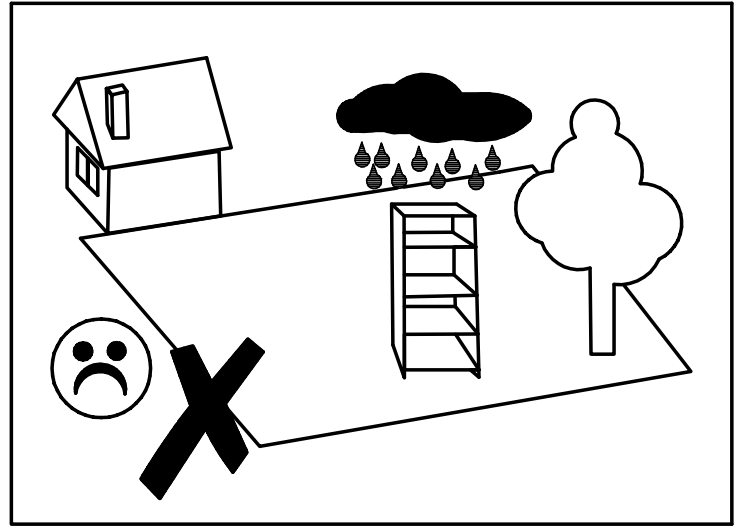
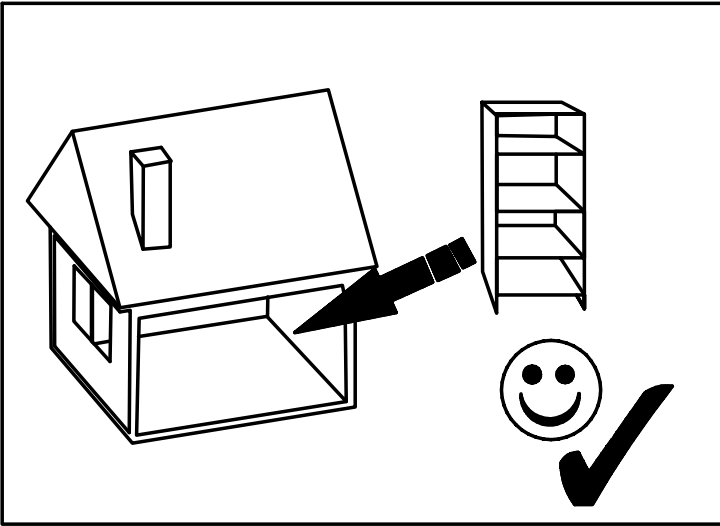


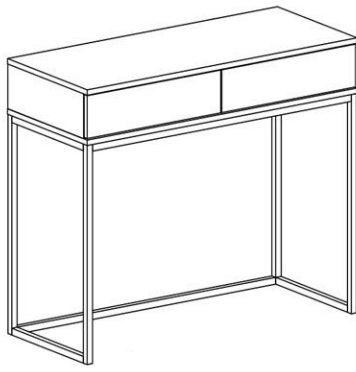
## XII



XIII







1

A



x1

B



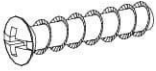
x1

C



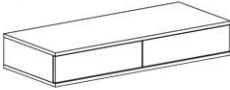
x4

D



x8

E

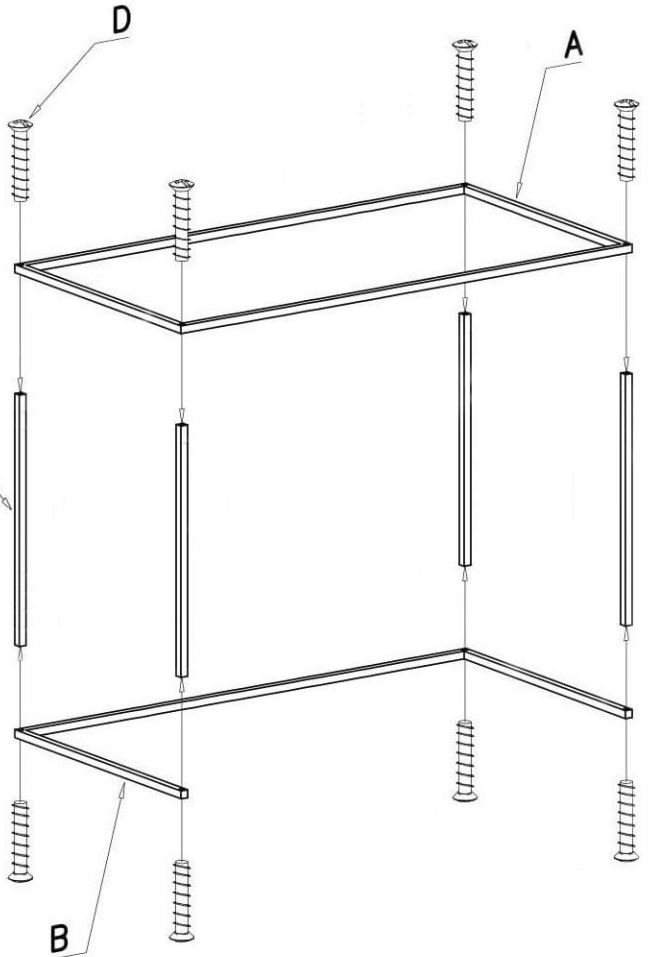
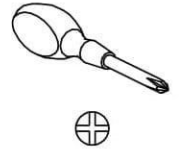


x1

F



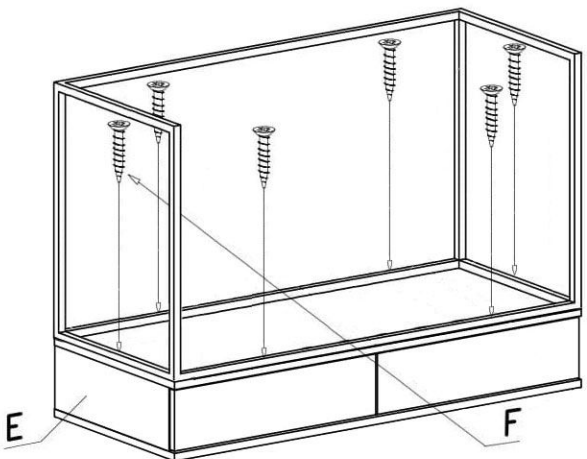
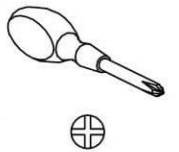
x6



C

B

2



E

F